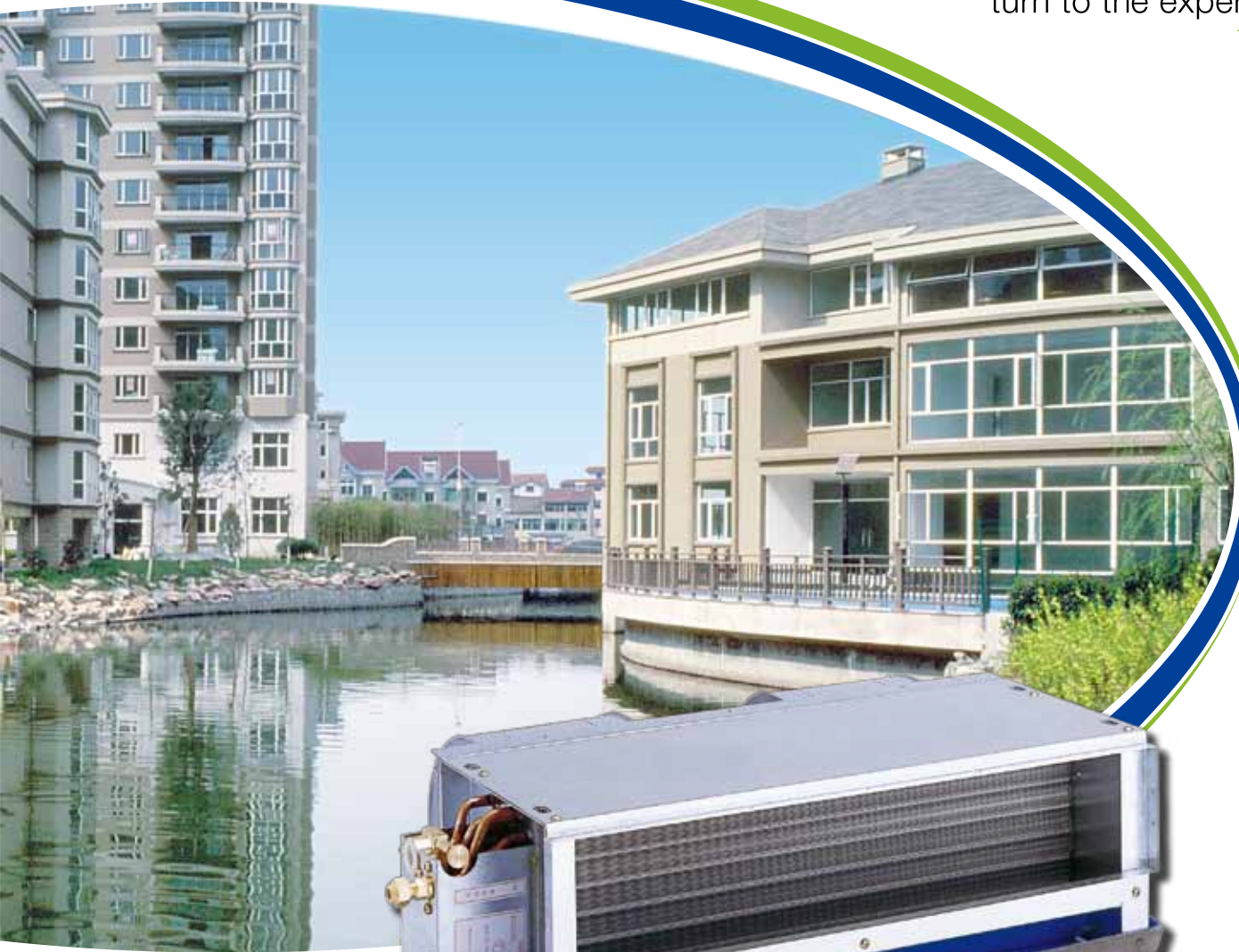




turn to the experts™ 



42CE

Fan Coil Unit



Carrier improves the world around us; Carrier improves people's lives; our products and services improve building performance; our culture of improvement will not allow us to rest when it comes to the environment.



Carrier China

Headquartered in Farmington, Connecticut, USA, Carrier Corporation is the world's largest provider of heating, air conditioning and refrigeration solutions, with operations in more than 170 countries including China.

Ever since Dr. Willis Carrier, founder of Carrier Corporation, invented modern air conditioning in 1902, Carrier has stayed at the forefront of the air-conditioning industry for more than 100 years. Regarded as the leader and expert in air conditioning, Carrier has several thousand patents in the air-conditioning industry and eleven lead design centers worldwide, including one in China.

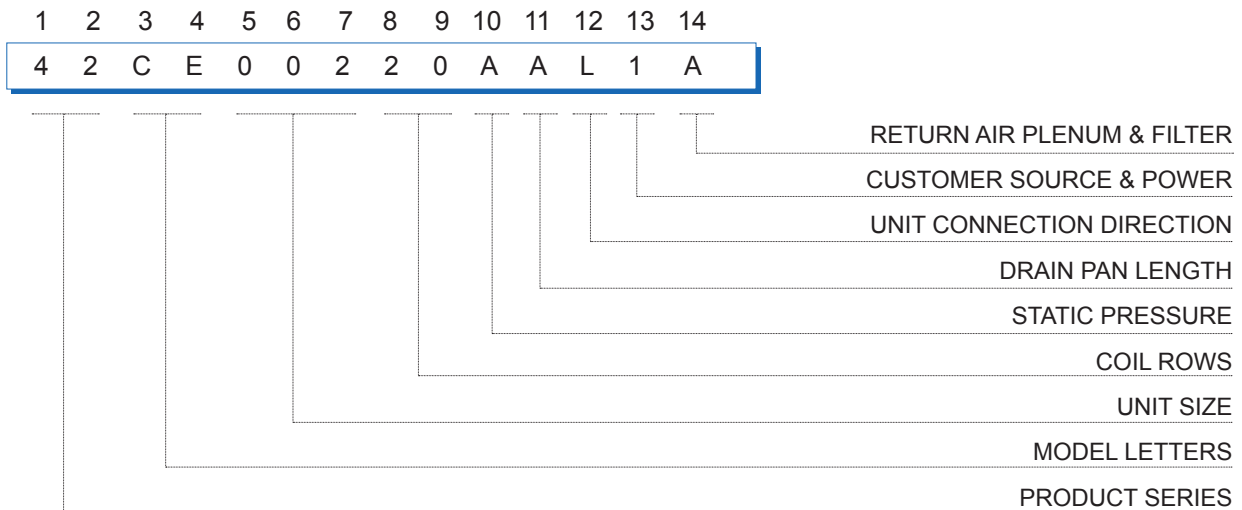
Carrier's products are manufactured at numerous facilities on six continents. The company has approximately 41,000 employees around the world. In 2008, Carrier's revenues were US\$14.9 billion, leading the Heating, Ventilation, Air-conditioning and Refrigeration (HVACR) industry.

Carrier set up its first joint venture in Shanghai in 1987. Now Carrier has more than 2,200 employees. Carrier products are distributed in China through a network of more than 40 sales and service offices.

Contents

Model number Nomenclature/Air Flow	-----	1
Features	-----	2
Technical Parameter	-----	4
Dimension	-----	7
Fan Performance	-----	11
42CE Fan Coil Unit	-----	12

Model number Nomenclature



- DIGIT NO. 1,2
product series
42 : fan coil unit
- DIGIT NO. 3,4
model letters
CE : horizontal ceiling FCU
- DIGIT NO. 5,6,7
unit size (airflow=unit size × 170 m³/h)
002 : 340m³/h
003 : 510m³/h
- DIGIT NO. 8,9
coil rows
20 : 2Row cooling
30 : 3Row cooling
31 : 3Row cooling + 1Rows heating
- DIGIT NO. 10
external static pressure
0 : 12Pa standard
3 : 30Pa with static pressure
5 : 50Pa high static pressure
- DIGIT NO. 11
drainpan
A : standard drainpan
B : lengthen drainpan
C : stainless drainpan
D : lengthed stainless drainpan
- DIGIT NO. 12
unit connection direction (face to discharge air)
L : left
R : right
- DIGIT NO. 13
customer source & power
0 : sale in local 220V-1Ph-50Hz (omissible)
1 : export to Hongkong 220V-1Ph-50Hz
2 : export 220V-1Ph-50Hz
3 : export 230V-1Ph-50Hz
4 : export 220V-1Ph-60Hz
5 : export 230V-1Ph-60Hz
6 : export 115V-1Ph-60Hz
7 : export 240V-1Ph-50Hz
- DIGIT NO. 14
return air plenum & filter
0 : without both (omissible)
A : unit with rear return air plenum
B : unit with bottom return air plenum
C : unit with rear return air plenum & nylon filter
D : unit with bottom return air plenum & nylon filter

Air Flow

340~2500m³/h

Features

42CE Fan Coil Units are the new energy saving products improved with advanced technology by Carrier. The units have advanced technology of low noise fan, air condition manufacture process and the last lanced sine wave fin. 42CE is developed to be an ultra-tranquil, high efficiency, convenient using and compact configuration product.

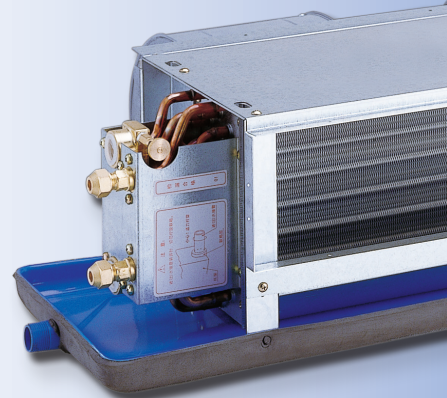
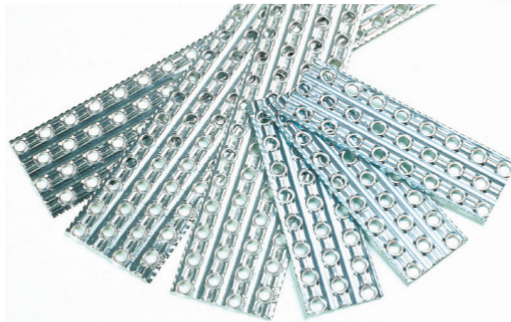
Ultra-tranquil

The units use the wide wheel of latest design and low speed forward-curved blades, which are most suitable for the motor. Addition with good insulated noise eliminated material, unit noise is 2~5dB(A) lower than the same type unit.



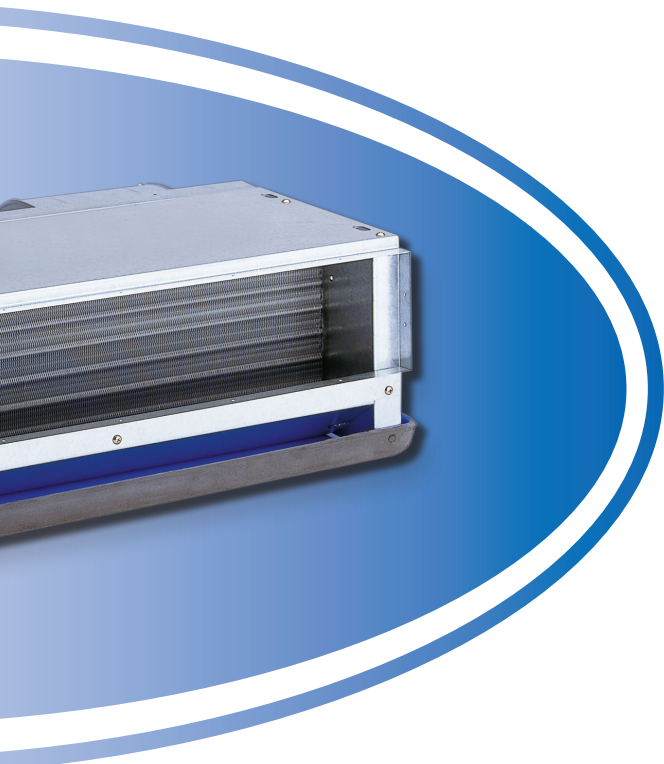
High efficiency

Aluminum lanced sine wave fin coils with copper tubing assure highly efficient heat transfer between primary and secondary coil surfaces.



Ultra thin

The unit height is only 230mm so that they can save installation space and meet the requirement of all kinds of situations.



Agile selection

Considering of the specialties and limit of installation, Carrier offer different drain pan to the consumer.

- Standard drain pan-reduce the installation space, especially to the narrow installation space.
- Lengthened drain pan-well collect possible sweating from field installed valves.
- External drain pan-350mm length can be selected to meet the requirement of all kind of condition.

Beside the characteristic above, the units have more development below

- Change the terminal from close to open structure and the wiring of motor to metal tube to assure more safety and reliability.
- The latest noise eliminated fiberglass insulation can assure not only the good appearance and perfect performance but also well-insulated performance measuring up the international standard under the testing of most abominable sweat condition.
- The round wheel of latest design can apply high temperature situation reliably.
- The drain pan and insulation are mould holistically to make the process more easy and better as well as prevent the leak when welding the drain pan.

NOTE: Distinguish the direction of right or left by facing to the air outlet.

Accessories



Thermostat



Remote Controller

Technical Parameter

TECHNICAL DATA (2R COIL)

Performance \ Model		002	003	004	005	006	008
Air Volume m ³ /h	HIGH	340	530	700	880	1020	1430
	MED	270	420	560	700	810	1140
	LOW	200	310	420	520	610	850
Cooling Capacity W		1900	2820	3640	4500	5400	7200
Heating Capacity W		3100	4400	5820	6900	8400	11160
Power Input W	12 Pa	32	46	56	75	94	134
	30 Pa	40	54	72	87	102	155
	50 Pa	46	65	84	98	112	174
Noise dB(A)	12 Pa	36	38	41	43	45	46
	30 Pa	40	41	44	46	47	48
	50 Pa	42	44	46	47	49	50
Water Flow l/min		6.3	9.4	12.1	15	18	24
Water Drop KPa		20	28	26	30	34	38
Fan	Type	Centrifugal, forward-curved Blades					
Motor	Type	Permanent Split Capacitor					
Coil	Row	2					
	Working Pressure	1.6 MPa					
CONNS	In-Out	3/4" FPT					
	Condensing Drain	3/4" MPT					
Net Weight Kg		12.7	14.2	16.1	17.4	18.5	25.8
Accessories		Thermostat, Motorized Valve, Return Air Plenum					

- Note:
1. The data is the performance in high speed with relevant static pressure.
 2. Cooling Conditions: Entering Water 7℃, Temperature Rise 5℃, Entering Air Temperature 27℃DB, 19.5℃WB.
Heating Conditions: Entering Water 60℃, Air 21℃DB, the same water flow as the cooling conditions.
 3. The noise is tested in the anechoic test room, measured with a fine audiometer located 1 meter away from the unit front panel and the unit bottom panel.

Technical Parameter

TECHNICAL DATA (3R COIL)

Performance		Model	002	003	004	005	006	008	010	012	014
		Air Volume m ³ /h	HIGH	340	510	680	850	1020	1360	1700	2040
MED	265		405	535	680	790	1060	1360	1595	1904	
LOW	195		305	405	510	585	790	1020	1180	1428	
Cooling Capacity W		2300	3200	4250	5000	5900	8000	9200	11050	13000	
Heating Capacity W		3600	5100	6450	7870	9300	12100	14500	17200	20500	
Power Input W	12 Pa	32	46	58	76	91	130	150	180	208	
	30 Pa	41	52	65	87	106	150	172	210	250	
	50 Pa	48	63	82	100	118	174	205	236	290	
Noise dB(A)	12 Pa	37	39	41	43	45	46	48	49	50	
	30 Pa	39	41	43	46	47	47.5	49	51	52	
	50 Pa	41	43	45	47	49	50	51	53	52	
Water Flow l/min		6.6	9	12.3	13.8	17	23.5	27	33	37	
Water Drop KPa		14	29	20	24	35	35	40	40	47	
Fan	Type	Centrifugal, forward-curved Blades									
Motor	Type	Permanent Split Capacitor									
Coil	Row	3									
	Working Pressure	1.6 MPa									
CONNS	In-Out	3/4" FPT									
	Condensing Drain	3/4" MPT									
Net Weight Kg		14	15.6	17.7	19.1	20.5	28.3	31	35.3	41.5	
Accessories		Thermostat, Motorized Valve, Return Air Plenum									

- Note:
1. The data is the performance in high speed with relevant static pressure.
 2. Cooling Conditions: Entering Water 7°C, Temperature Rise 5°C, Entering Air Temperature 27°C DB, 19.5°C WB.
Heating Conditions: Entering Water 60°C, Air 21°C DB, the same water flow as the cooling conditions.
 3. The noise is tested in the anechoic test room, measured with a fine audiometer located 1 meter away from the unit front panel and the unit bottom panel.

Technical Parameter

TECHNICAL DATA (3+1R COIL)

Performance		Model	002	003	004	005	006	008
Air Volume m ³ /h	12Pa	HIGH	340	510	680	850	1020	1360
		MED	265	405	535	680	790	1060
	30Pa	LOW	195	305	405	510	585	790
Cooling W		12Pa/30Pa	2208	3080	4080	4800	5664	7680
Heating W		12Pa/30Pa	2276	2855	3382	4188	4968	6433
Power Input W		12 Pa	32	46	58	76	91	130
		30 Pa	41	52	65	87	106	150
Noise dB(A)		12 Pa	37	39	41	43	45	46
		30 Pa	39	41	43	46	47	47.5
Water Flow l/min	12Pa	Heating	6.3	8.6	11.8	13.2	16.3	22.6
	30Pa	Heating	3.3	4.2	4.9	6.1	7.3	9.4
Water Drop KPa	12Pa	Heating	13	28	19	24	34	34
	30Pa	Heating	9	11	14	17	20	24
Fan		Type	Centrifugal, forward-curved Blades					
Motor		Type	Permanent Split Capacitor					
Coil		Row	3+1					
		Working Pressure	1.6 MPa					
CONNS		In-Out	3/4" FPT					
		Condensing Drain	3/4" MPT					
Net Weight		Kg	15	16.6	18.8	20.2	21.7	29.5
Accessories			Thermostat, Motorized Valve, Return Air Plenum					

- Note:
1. The data is the performance in high speed with relevant static pressure.
 2. Cooling Conditions: Entering Water 7℃, Temperature Rise 5℃, Entering Air Temperature 27℃ DB, 19.5℃ WB.
Heating Conditions: Entering Water 60℃, Entering/leaving temperature difference is 10℃, enter air temperature 21℃ DB.
 3. The noise is tested in the anechoic test room, measured with a fine audiometer located 1 meter away from the unit front panel and the unit bottom panel.

Dimensions(2Row)

Fan Coil Unit

Model	Dimension										
	A	B	C	D	E	F	H	J	K	M	N
002	690	770	550	520	35	480	550	75	400	10	6
003	770	890	630	600	75	480	630	115	400	12	6
004	890	970	750	720	75	600	750	75	600	14	6
005	970	1090	830	800	55	720	830	115	600	16	8
006	1170	1410	1030	1000	95	840	1030	115	800	18	8
008	1410	1530	1270	1240	95	1080	1270	35	1200	26	10
010	1530	1770	1390	1360	95	1200	1390	95	1200	28	10
012	1770	2010	1630	1600	95	1440	1630	115	1400	32	12
014	2010	2250	1870	1840	95	1680	1870	135	1600	36	14

Note: B is the dimension of lengthen drain pan

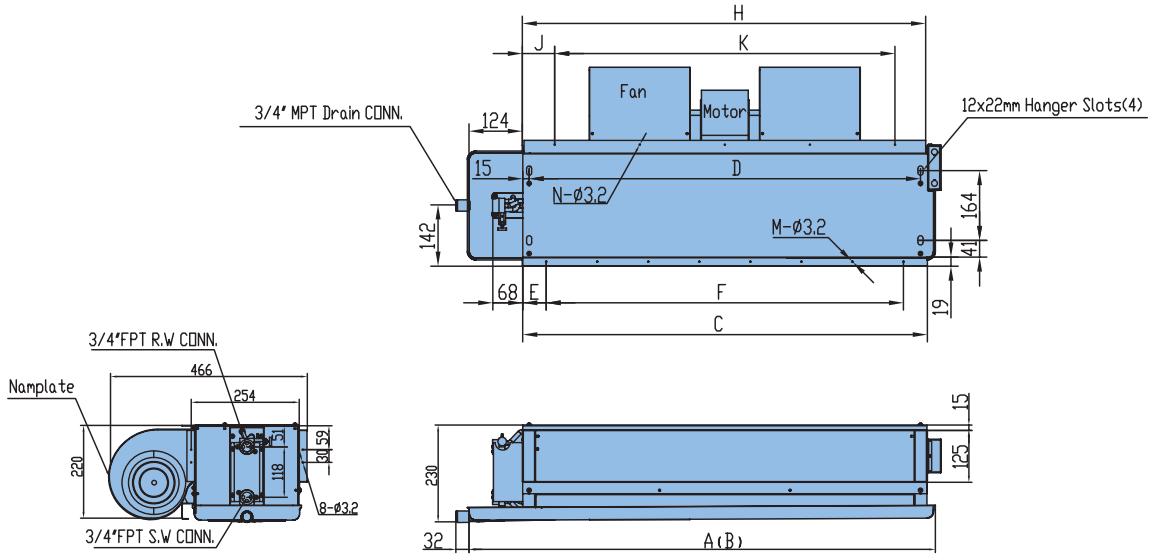
42CE Return Air Plenum

Part Number	Dimension							
	A	B	C	D	E	F	Return Air Inlet(H×W)	Used In
42CE402900	554	47	2	400	494	520	181×494	42CE002
42CE403900	634	87	2	400	574	600	181×574	42CE003
42CE404900	754	47	3	600	694	720	181×694	42CE004
42CE405900	834	87	3	600	774	800	181×774	42CE005
42CE406900A	1034	87	4	800	974	1000	181×974	42CE006
42CE408900	1274	107	5	1000	1214	1240	181×1214	42CE008
42CE410900	1394	67	6	1200	1334	1360	181×1334	42CE010
42CE412900	1634	87	7	1400	1574	1600	181×1574	42CE012
42CE414900	1874	107	8	1600	1814	1840	181×1814	42CE014

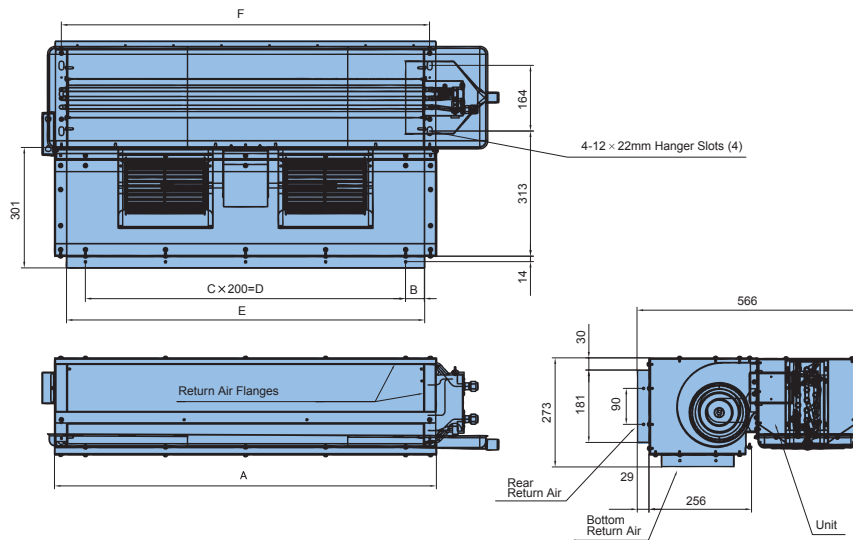
Note: 1. With Rear/Bottom air return plenum
 2. Easily connect with Rear/Bottom air return plenum in the jobsite
 3. No filter in the air plenum, please install the filter at the return air duct
 4. The dimension of return air inlet for rear air return plenum is the same as that of the bottom air return plenum.

Dimensions(2Row)

Fan Coil Unit



42CE Return Air Plenum



Dimensions(3Row)

Fan Coil Unit

Model	Dimension										
	A	B	C	D	E	F	H	J	K	M	N
002	690	770	550	520	35	480	550	72	400	10	6
003	770	890	630	600	75	480	630	112	400	12	6
004	890	970	750	720	75	600	750	72	600	14	6
005	970	1090	830	800	55	720	830	112	600	16	8
006	1090	1410	950	920	55	840	950	72	800	18	8
008	1410	1530	1270	1240	95	1080	1270	32	1200	26	10
010	1530	1770	1390	1360	95	1200	1390	92	1200	28	10
012	1770	2010	1630	1600	95	1440	1630	112	1400	32	12
014	2010	2250	1870	1840	95	1680	1870	132	1600	36	14

Note: B is the dimension of lengthen drain pan

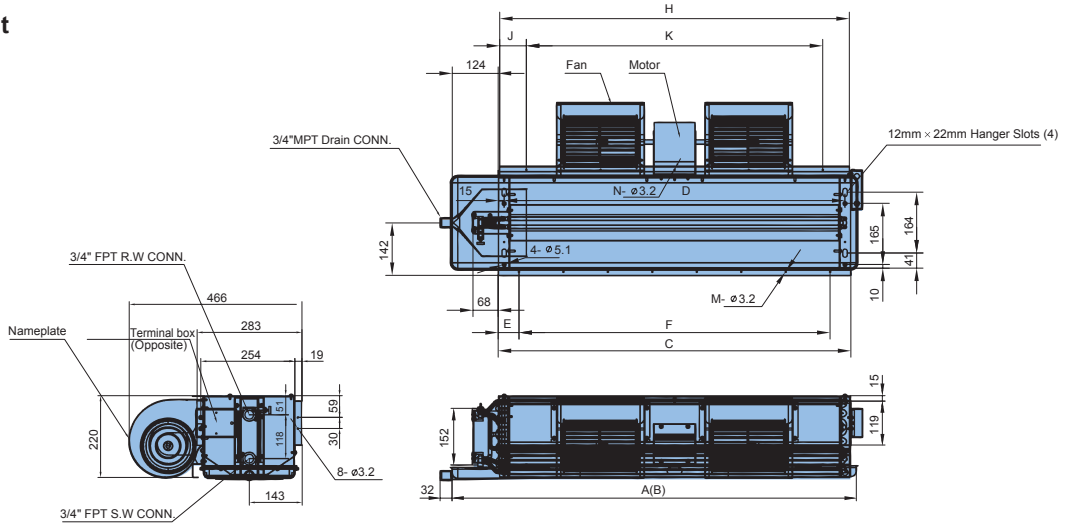
42CE Return Air Plenum

Part Number	Dimension							
	A	B	C	D	E	F	Return Air Inlet(H×W)	Used In
42CE402900	554	47	2	400	494	520	181×494	42CE002
42CE403900	634	87	2	400	574	600	181×574	42CE003
42CE404900	754	47	3	600	694	720	181×694	42CE004
42CE405900	834	87	3	600	774	800	181×774	42CE005
42CE406900	954	47	4	800	894	920	181×894	42CE006
42CE408900	1274	107	5	1000	1214	1240	181×1214	42CE008
42CE410900	1394	67	6	1200	1334	1360	181×1334	42CE010
42CE412900	1634	87	7	1400	1574	1600	181×1574	42CE012
42CE414900	1874	107	8	1600	1814	1840	181×1814	42CE014

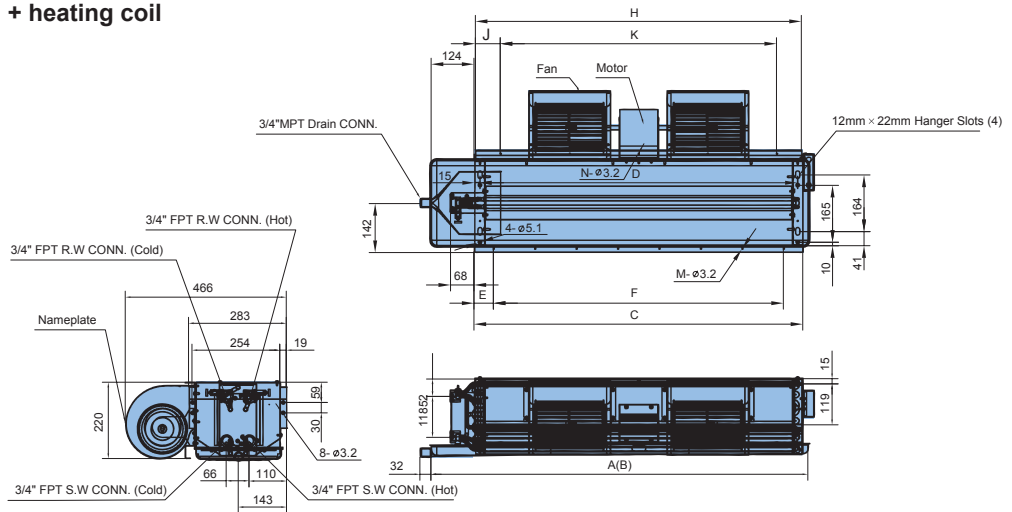
- Note:
1. With Rear/Bottom air return plenum
 2. Easily connect with Rear/Bottom air return plenum in the jobsite
 3. No filter in the air plenum, please install the filter at the return air duct
 4. The dimension of return air inlet for rear air return plenum is the same as that of the bottom air return plenum.

Dimensions(3Row)

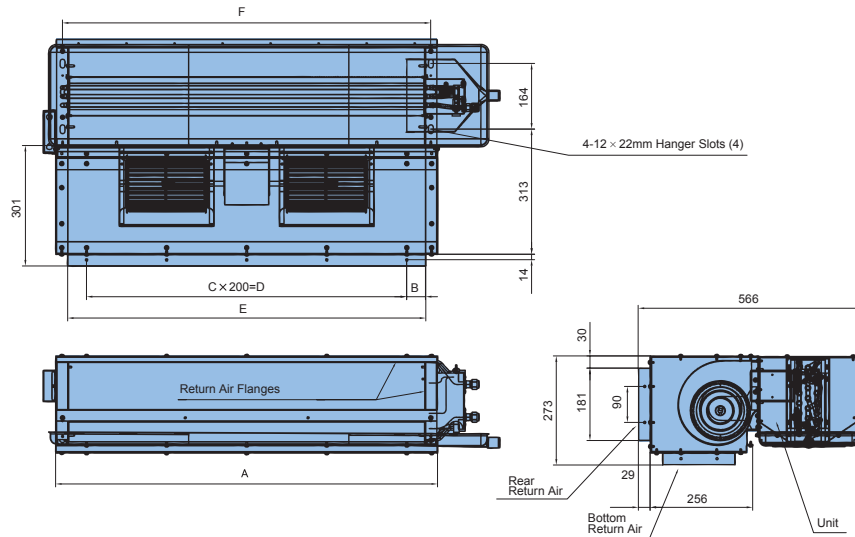
Fan Coil Unit



FCU with cooling + heating coil



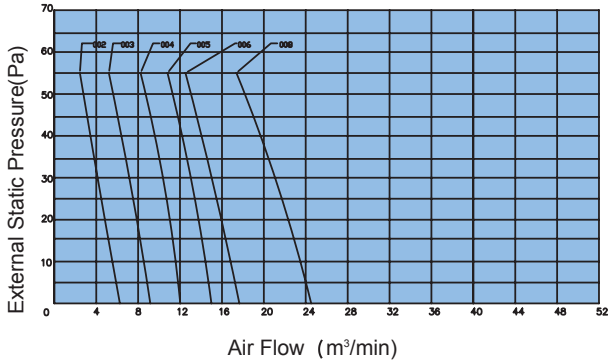
42CE Return Air Plenum



Fan Performance

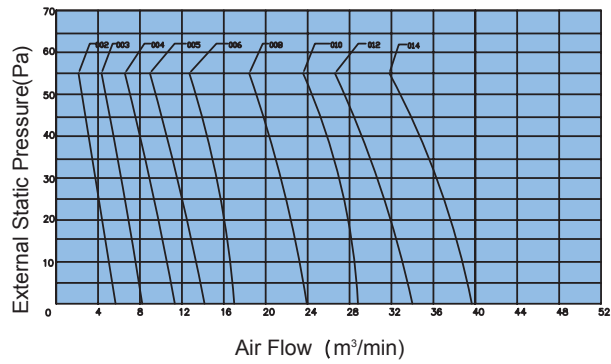
2R Standard Unit

42CE002200~42CE008200



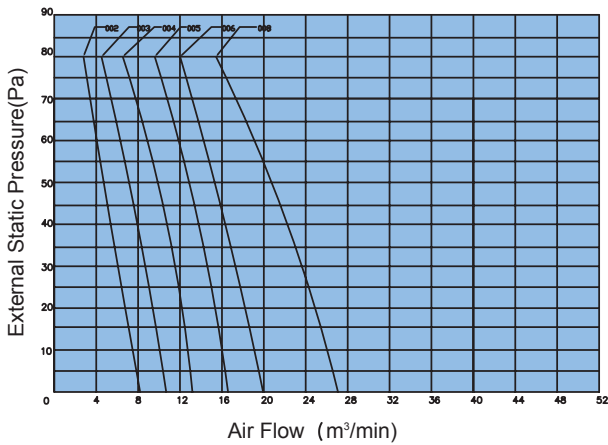
3/(3+1)R Standard Unit

42CE002300~42CE014300/42CE002310~42CE008310



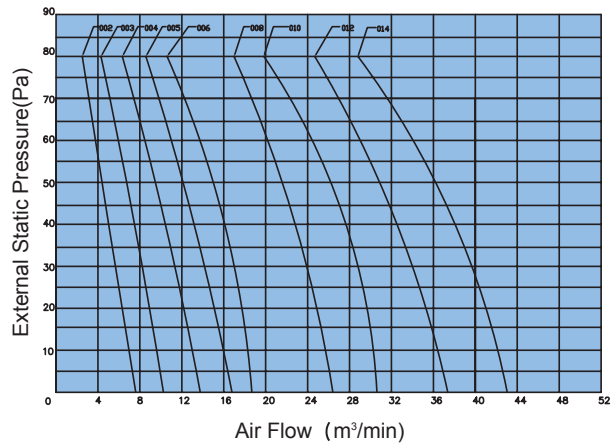
2R With Static Pressure Unit

42CE002203~008203



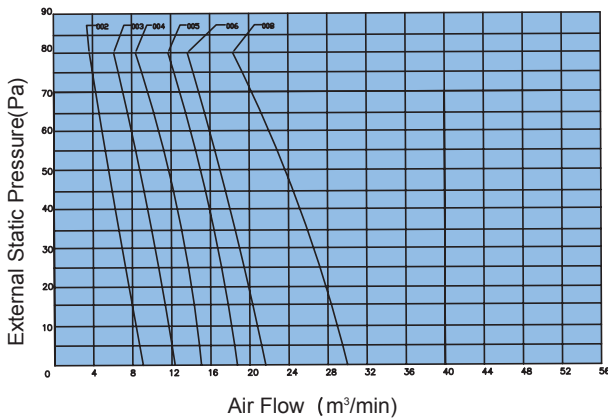
3/(3+1)R With Static Pressure Unit

42CE002303~42CE014303/42CE002313~42CE008313



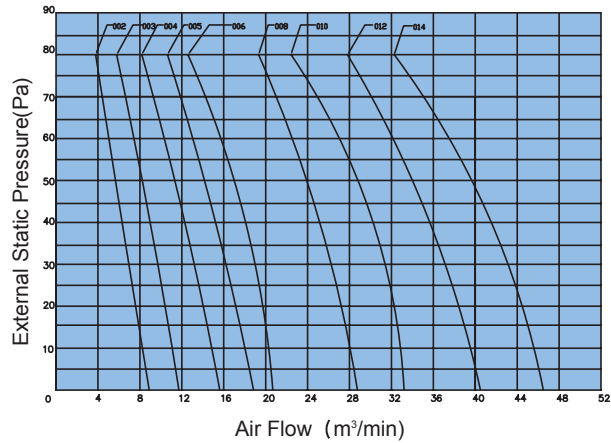
2R High Static Pressure Unit

42CE002205~42CE008205

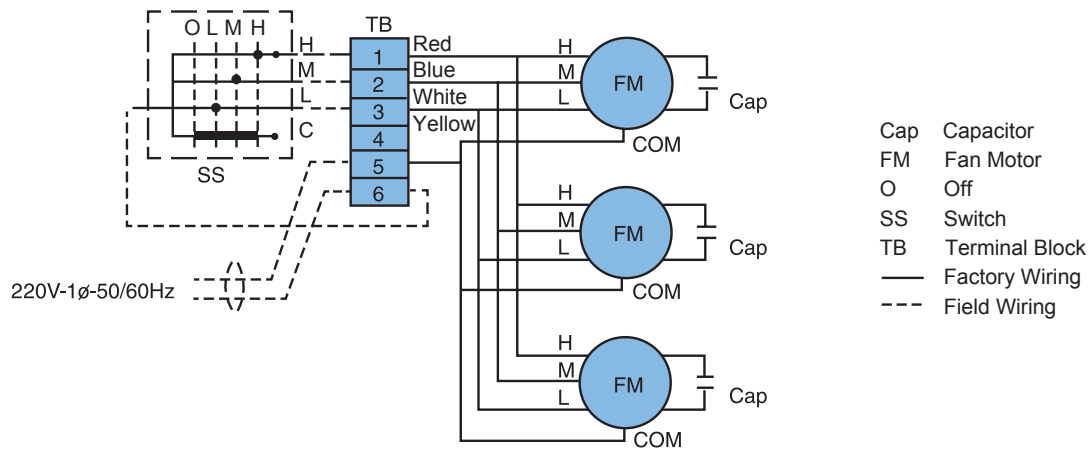


3/(3+1)R High Static Pressure Unit

42CE002305~42CE014305/42CE002315~42CE008315



42CE Fan Coil Unit



Power: 220V-1Ph-50Hz Type		002	003	004	005	006	008	010	012	014
Power Input (W)	2row 12Pa	32	46	56	75	94	134	-	-	-
	2row 30Pa	40	54	72	87	102	155	-	-	-
	2row 50Pa	46	65	84	98	112	174	-	-	-
	3row 12Pa	32	46	58	76	91	130	150	180	208
	3row 30Pa	41	52	65	87	106	150	172	210	250
	3row 50Pa	48	63	82	100	118	174	205	236	290
Current (A)	2row 12Pa	0.15	0.21	0.25	0.34	0.43	0.61	-	-	-
	2row 30Pa	0.18	0.25	0.33	0.40	0.46	0.70	-	-	-
	2row 50Pa	0.21	0.30	0.38	0.45	0.51	0.79	-	-	-
	3row 12Pa	0.15	0.22	0.26	0.35	0.41	0.59	0.68	0.82	0.95
	3row 30Pa	0.19	0.24	0.30	0.40	0.48	0.68	0.78	0.96	1.14
	3row 50Pa	0.22	0.29	0.37	0.46	0.54	0.54	0.93	1.07	1.32

Carrier Corporation identified six specific areas of concentration that directly impact how we, as a world manufacturer, balance our customer's needs for comfort with the environment's needs for responsible consumption.



Welcome to Carrier Website
www.carrier.com.cn

