



# Start-Up, Operation and Maintenance Instructions

## SAFETY CONSIDERATIONS

**Screw liquid chillers are designed to provide safe and reliable service when operated within design specifications. When operating this equipment, use good judgment and safety precautions to avoid damage to equipment and property or injury to personnel.**

**Be sure you understand and follow the procedures and safety precautions contained in the chiller instructions, as well as those listed in this guide.**

### ⚠ DANGER

DO NOT VENT refrigerant relief valves within a building. Outlet from rupture disc or relief valve must be vented outdoors in accordance with the latest edition of ANSI/ASHRAE 15 (American National Standards Institute, American Society of Heating, Refrigeration, and Air Conditioning Engineers), latest edition. The accumulation of refrigerant in an enclosed space can displace oxygen and cause asphyxiation.

PROVIDE adequate ventilation in accordance with ANSI/ASHRAE 15, especially for enclosed and low overhead spaces. Inhalation of high concentrations of vapor is harmful and may cause heart irregularities, unconsciousness, or death. Misuse can be fatal. Vapor is heavier than air and reduces the amount of oxygen available for breathing. Product causes eye and skin irritation. Decomposition products are hazardous.

DO NOT USE OXYGEN to purge lines or to pressurize a chiller for any purpose. Oxygen gas reacts violently with oil, grease, and other common substances.

NEVER EXCEED specified test pressures. VERIFY the allowable test pressure by checking the instruction literature and the design pressures on the equipment nameplate.

DO NOT USE air for leak testing. Use only refrigerant or dry nitrogen.

DO NOT VALVE OFF any safety device.

BE SURE that all pressure relief devices are properly installed and functioning before operating any chiller.

RISK OF INJURY OR DEATH by electrocution. High voltage is present on motor leads even though the motor is not running. Open the power supply disconnect before touching motor leads or terminals.

### ⚠ WARNING

DO NOT WELD OR FLAMECUT any refrigerant line or vessel until all refrigerant (*liquid and vapor*) has been removed from chiller. Traces of vapor should be displaced with dry air or nitrogen and the work area should be well ventilated. *Refrigerant in contact with an open flame produces toxic gases.*

DO NOT USE eyebolts or eyebolt holes to rig chiller sections or the entire assembly.

DO NOT work on high-voltage equipment unless you are a qualified electrician.

DO NOT WORK ON electrical components, including control centers, switches, starters, or oil heater until you are sure ALL POWER IS OFF and no residual voltage can leak from capacitors or solid-state components.

LOCK OPEN AND TAG electrical circuits during servicing. IF WORK IS INTERRUPTED, confirm that all circuits are deenergized before resuming work.

DO NOT syphon refrigerant.

AVOID SPILLING liquid refrigerant on skin or getting it into the eyes. USE SAFETY GOGGLES. Wash any spills from the skin with soap and liquid. If liquid refrigerant enters the eyes, IMMEDIATELY FLUSH EYES with water and consult a physician.

NEVER APPLY an open flame or live steam to a refrigerant cylinder. Dangerous over pressure can result. When it is necessary to heat refrigerant, use only warm (110 F [43 C]) water.

DO NOT REUSE disposable (nonreturnable) cylinders or attempt to refill them. It is DANGEROUS AND ILLEGAL. When cylinder is emptied, evacuate remaining gas pressure, loosen the collar, and unscrew and discard the valve stem. DO NOT INCINERATE.

CHECK THE REFRIGERANT TYPE before adding refrigerant to the chiller. The introduction of the wrong refrigerant can cause damage or malfunction to this chiller.

Operation of this equipment with refrigerants other than those cited herein should comply with ANSI/ASHRAE 15 (latest edition). Contact Carrier for further information on use of this chiller with other refrigerants.

DO NOT ATTEMPT TO REMOVE fittings, covers, etc., while chiller is under pressure or while chiller is running. Be sure pressure is at 0 psig (0 kPa) before breaking any refrigerant connection.

CAREFULLY INSPECT all relief devices, rupture discs, and other relief devices AT LEAST ONCE A YEAR. If chiller operates in a corrosive atmosphere, inspect the devices at more frequent intervals.

DO NOT ATTEMPT TO REPAIR OR RECONDITION any relief device when corrosion or build-up of foreign material (rust, dirt, scale, etc.) is found within the valve body or mechanism. Replace the device.

DO NOT install relief devices in series or backwards.

USE CARE when working near or in line with a compressed spring. Sudden release of the spring can cause it and objects in its path to act as projectiles.

### ⚠ CAUTION

DO NOT STEP on refrigerant lines. Broken lines can whip about and release refrigerant, causing personal injury.

DO NOT climb over a chiller. Use platform, catwalk, or staging. Follow safe practices when using ladders.

USE MECHANICAL EQUIPMENT (crane, hoist, etc.) to lift or move inspection covers or other heavy components. Even if components are light, use mechanical equipment when there is a risk of slipping or losing your balance.

BE AWARE that certain automatic start arrangements CAN ENGAGE THE COMPRESSOR, TOWER FAN, OR PUMPS. Open the disconnect *ahead* of the starter, tower fan, or pumps. Shut off the chiller or pump before servicing equipment.

USE only repair or replacement parts that meet the code requirements of the original equipment.

DO NOT VENT OR DRAIN waterboxes containing industrial brines, water, gases, or semisolids without the permission of your process control group.

DO NOT LOOSEN waterbox cover bolts until the waterbox has been completely drained.

DOUBLE-CHECK that coupling nut wrenches, dial indicators, or other items have been removed before rotating any shafts.

DO NOT LOOSEN a packing gland nut before checking that the nut has a positive thread engagement.

PERIODICALLY INSPECT all valves, fittings, and piping for corrosion, rust, leaks, or damage.

PROVIDE A DRAIN connection in the vent line near each pressure relief device to prevent a build-up of condensate or rain water.

## CONTENTS

	Page		Page
<b>SAFETY CONSIDERATIONS</b> .....	1	<b>Vaporizer Temperature Control</b>	
<b>INTRODUCTION</b> .....	4	<b>COMPRESSOR ON</b> .....	36
<b>ABBREVIATIONS AND EXPLANATIONS</b> .....	4	<b>Oil Sump Temperature Control</b>	
<b>23XRV CHILLER FAMILIARIZATION</b> .....	4-8	<b>COMPRESSOR OFF</b> .....	36
<b>Chiller Identification Nameplate</b> .....	4	<b>Oil Sump Temperature Control</b>	
<b>System Components</b> .....	4	<b>COMPRESSOR ON</b> .....	38
<b>Cooler</b> .....	8	<b>Remote Start/Stop Contacts</b> .....	38
<b>Condenser</b> .....	8	<b>Spare Safety and Spare Temperature Inputs</b> .....	38
<b>Motor-Compressor</b> .....	8	<b>Spare Alarm Contacts</b> .....	39
<b>Muffler</b> .....	8	<b>Refrigerant Leak Detector</b> .....	39
<b>Control Center</b> .....	8	<b>4 to 20 mA Kilowatt Output</b> .....	39
<b>Storage Vessel (Optional)</b> .....	8	<b>Remote Reset of Alarms</b> .....	39
<b>REFRIGERATION CYCLE</b> .....	8-10	<b>Condenser Pump Control</b> .....	39
<b>MOTOR COOLING CYCLE</b> .....	10	<b>Condenser Freeze Prevention</b> .....	39
<b>LUBRICATION CYCLE</b> .....	10-12	<b>Tower Fan Relay Low and High</b> .....	39
<b>Summary</b> .....	10	<b>Auto. Restart After Power Failure</b> .....	40
<b>Details</b> .....	10	<b>Liquid/Brine Temperature Reset</b> .....	40
<b>Oil Reclaim System</b> .....	12	• RESET TYPE 1 .....	
<b>Capacity Control</b> .....	12	• RESET TYPE 2 .....	
<b>CONTROLS</b> .....	12-46	• RESET TYPE 3 .....	
<b>Definitions</b> .....	12	<b>Demand Limit Control Option</b> .....	40
• ANALOG SIGNAL .....		<b>Hot Gas Bypass (Optional) Algorithm</b> .....	40
• DIGITAL SIGNAL .....		<b>Head Pressure Output Reference</b> .....	41
<b>General Controls Overview</b> .....	12	<b>Lead/Lag Control</b> .....	42
<b>PIC III System Components</b> .....	12	• COMMON POINT SENSOR INSTALLATION .....	
• INTERNATIONAL CHILLER VISUAL .....		• CHILLER COMMUNICATION WIRING .....	
CONTROLLER (ICVC) .....		• LEAD/LAG OPERATION .....	
• CHILLER CONTROL MODULE (CCM) .....		• FAULTED CHILLER OPERATION .....	
• VFD POWER MODULE .....		• LOAD BALANCING .....	
• VFD GATEWAY MODULE .....		• AUTO. RESTART AFTER POWER FAILURE .....	
• OIL HEATER CONTACTOR (1C) .....		<b>Attach to Network Device Control</b> .....	44
• OIL PUMP CONTACTOR (2C) .....		• ATTACHING TO OTHER CCN MODULES .....	
• HOT GAS BYPASS CONTACTOR RELAY (3C) .....		<b>Service Operation</b> .....	45
(Optional) .....		• TO ACCESS THE SERVICE SCREENS .....	
• VFD REFRIGERANT COOLING SOLENOID .....		• TO LOG OUT OF DEVICE .....	
VALVE (5C) .....		• HOLIDAY SCHEDULING .....	
• VAPORIZER HEATER CONTACTOR (6C) .....		<b>START-UP/SHUTDOWN/RECYCLE</b>	
• CONTROL TRANSFORMERS (T1, T2) .....		<b>SEQUENCE</b> .....	46-48
<b>ICVC Operation and Menus</b> .....	15	<b>Local Start-Up</b> .....	46
• GENERAL .....		<b>Shutdown Sequence</b> .....	47
• ALARMS AND ALERTS .....		<b>Automatic Soft Stop Amps Threshold</b> .....	47
• ICVC MENU ITEMS .....		<b>Chilled Liquid Recycle Mode</b> .....	47
• BASIC ICVC OPERATIONS (Using the Softkeys) .....		<b>Safety Shutdown</b> .....	48
• TO VIEW STATUS .....		<b>BEFORE INITIAL START-UP</b> .....	48-64
• OVERRIDE OPERATIONS .....		<b>Job Data Required</b> .....	48
• TIME SCHEDULE OPERATION .....		<b>Equipment Required</b> .....	48
• TO VIEW AND CHANGE SET POINTS .....		<b>Using the Optional Storage Tank</b>	
• SERVICE OPERATION .....		<b>and Pumpout System</b> .....	48
<b>PIC III System Functions</b> .....	34	<b>Remove Shipping Packaging</b> .....	48
• CAPACITY CONTROL .....		<b>Open Oil Circuit Valves</b> .....	48
• FORCED .....		<b>Oil Charge</b> .....	48
• NORMAL CONDITIONS .....		<b>Tighten All Gasketed Joints</b> .....	48
• CAPACITY INCREASE .....		<b>Check Chiller Tightness</b> .....	49
• CAPACITY DECREASE .....		<b>Refrigerant Tracer</b> .....	49
• ECL CONTROL OPTION .....		<b>Leak Test Chiller</b> .....	49
• CHILLED LIQUID DEADBAND .....		<b>Chiller Dehydration</b> .....	55
• PROPORTIONAL BANDS AND PROPORTIONAL .....		<b>Inspect Liquid Piping</b> .....	55
GAIN .....		<b>Check Optional Pumpout Compressor</b>	
• DEMAND LIMITING .....		<b>Liquid Piping</b> .....	55
• CHILLER TIMERS .....		<b>Check Relief Valves</b> .....	55
• OCCUPANCY SCHEDULE .....		<b>Identify the VFD</b> .....	55
<b>Safety Controls</b> .....	35	• IDENTIFYING THE DRIVE BY PART NUMBER .....	
<b>Shunt Trip</b> .....	36	<b>Check Starter</b> .....	57
<b>Default Screen Freeze</b> .....	36	<b>Input Power Wiring</b> .....	57
<b>Ramp Loading</b> .....	36	<b>Checking the Installation</b> .....	57
<b>Capacity Override</b> .....	36	<b>Inspect Wiring</b> .....	57
<b>Compressor Minimum Speed Override</b> .....	36	<b>Ground Fault Troubleshooting</b> .....	58
		<b>Carrier Comfort Network® Interface</b> .....	58

## CONTENTS (cont)

	Page		Page
<b>Power Up the Controls and Check the Oil Heater</b> .....	58		
<b>Software Configuration</b> .....	59		
<b>Input the Design Set Points</b> .....	59		
<b>Input the Local Occupancy Schedule (OCCPC01S)</b> .....	59		
<b>Input Service Configurations</b> .....	59		
• PASSWORD			
• INPUT TIME AND DATE			
• CHANGE ICVC CONFIGURATION IF NECESSARY			
• TO CHANGE THE PASSWORD			
• TO CHANGE THE ICVC DISPLAY FROM ENGLISH TO METRIC UNITS			
• MODIFY CONTROLLER IDENTIFICATION IF NECESSARY			
• INPUT EQUIPMENT SERVICE PARAMETERS IF NECESSARY			
• MODIFY EQUIPMENT CONFIGURATION IF NECESSARY			
<b>Perform a Control Test</b> .....	61		
<b>Pressure Transducer and Optional Flow Device Calibration</b> .....	61		
• ZERO POINT CALIBRATION			
• HIGH END CALIBRATION			
<b>Check Optional Pumpout System Controls and Compressor</b> .....	62		
<b>High Altitude Locations</b> .....	62		
<b>Charge Refrigerant Into Chiller</b> .....	63		
• CHILLER EQUALIZATION WITHOUT A PUMPOUT UNIT			
• CHILLER EQUALIZATION WITH PUMPOUT UNIT			
• TRIMMING REFRIGERANT CHARGE			
<b>INITIAL START-UP</b> .....	64,65		
<b>Preparation</b> .....	64		
<b>Check Oil Pressure and Compressor Stop</b> .....	65		
<b>To Prevent Accidental Start-Up</b> .....	65		
<b>Check Chiller Operating Condition</b> .....	65		
<b>Instruct the Customer Operator</b> .....	65		
• COOLER-CONDENSER			
• OPTIONAL PUMPOUT STORAGE TANK AND PUMPOUT SYSTEM			
• COMPRESSOR ASSEMBLY			
• COMPRESSOR LUBRICATION SYSTEM			
• CONTROL SYSTEM			
• AUXILIARY EQUIPMENT			
• DESCRIBE CHILLER CYCLES			
• REVIEW MAINTENANCE			
• SAFETY DEVICES AND PROCEDURES			
• CHECK OPERATOR KNOWLEDGE			
• REVIEW THE START-UP, OPERATION AND MAINTENANCE MANUAL			
<b>OPERATING INSTRUCTIONS</b> .....	66-68		
<b>Operator Duties</b> .....	66		
<b>Prepare the Chiller for Start-Up</b> .....	66		
<b>To Start The Chiller</b> .....	66		
<b>Check the Running System</b> .....	66		
<b>To Stop the Chiller</b> .....	66		
• FAILURE TO STOP			
<b>After Limited Shutdown</b> .....	66		
<b>Preparation for Extended Shutdown</b> .....	66		
<b>After Extended Shutdown</b> .....	67		
<b>Cold Weather Operation</b> .....	67		
<b>Refrigeration Log</b> .....	67		
<b>PUMPOUT AND REFRIGERANT TRANSFER PROCEDURES</b> .....	69-72		
<b>Preparation</b> .....	69		
<b>Operating the Optional Pumpout Unit</b> .....	69		
<b>Chillers With Storage Tanks</b> .....	70		
• TRANSFER REFRIGERANT FROM PUMPOUT STORAGE TANK TO CHILLER			
• TRANSFER REFRIGERANT FROM CHILLER TO PUMPOUT STORAGE TANK			
• CHILLERS WITH ISOLATION VALVES			
• DISTILLING THE REFRIGERANT			
<b>GENERAL MAINTENANCE</b> .....	72,73		
<b>Refrigerant Properties</b> .....	72		
<b>Adding Refrigerant</b> .....	72		
<b>Removing Refrigerant</b> .....	72		
<b>Adjusting the Refrigerant Charge</b> .....	72		
<b>Refrigerant Leak Testing</b> .....	72		
<b>Refrigerant Leak Rate</b> .....	72		
<b>Test After Service, Repair, or Major Leak</b> .....	72		
• REFRIGERANT TRACER			
• TO PRESSURIZE WITH DRY NITROGEN			
<b>Repair the Refrigerant Leak, Retest, and Apply Standing Vacuum Test</b> .....	73		
<b>Trim Refrigerant Charge</b> .....	73		
<b>WEEKLY MAINTENANCE</b> .....	73		
<b>Check the Lubrication System</b> .....	73		
<b>SCHEDULED MAINTENANCE</b> .....	73-78		
<b>Service Overtime</b> .....	73		
<b>Inspect the Control Center</b> .....	73		
<b>Check Safety and Operating Controls</b> .....	73		
• Monthly .....	73		
• Changing Oil and Oil Filter .....	73		
• Oil Specification .....	74		
• Oil Heater .....	74		
• Refrigerant Filter/Drier .....	74		
• Oil Strainers .....	74		
• VFD Refrigerant Strainer .....	74		
• Vaporizer Refrigerant Return Line Orifice .....	74		
• Compressor Inlet Bearing Oil Orifice .....	74		
• Inspect Condenser Refrigerant Float System .....	75		
• Inspect Relief Valves and Piping .....	77		
• Compressor Bearing Maintenance .....	77		
• Compressor Rotor Check .....	77		
• Motor Insulation .....	77		
• Inspect the Heat Exchanger Tubes .....	77		
• COOLER			
• CONDENSER			
<b>Water/Brine Leaks</b> .....	77		
<b>Water/Brine Treatment</b> .....	77		
<b>Inspect the Control Center</b> .....	77		
<b>Recalibrate Pressure Transducers</b> .....	78		
<b>Optional Pumpout System Maintenance</b> .....	78		
• OPTIONAL PUMPOUT COMPRESSOR OIL CHARGE			
• OPTIONAL PUMPOUT SAFETY CONTROL SETTINGS			
<b>Ordering Replacement Chiller Parts</b> .....	78		
<b>TROUBLESHOOTING GUIDE</b> .....	78-117		
<b>Overview</b> .....	78		
<b>Checking the Display Messages</b> .....	79		
<b>Checking Temperature Sensors</b> .....	79		
• RESISTANCE CHECK			
• VOLTAGE DROP			
• CHECK SENSOR ACCURACY			
• DUAL TEMPERATURE SENSORS			
<b>Checking Pressure Transducers</b> .....	79		
• COOLER CONDENSER PRESSURE TRANSDUCER AND LIQUIDSIDE FLOW DEVICE CALIBRATION			
• TRANSDUCER REPLACEMENT			

## CONTENTS (cont)

	Page
<b>Control Algorithms Checkout Procedure</b> .....	80
<b>Control Test</b> .....	81
<b>Control Modules</b> .....	98
• RED LED (Labeled as STAT)	
• GREEN LED (Labeled as COM)	
<b>Notes on Module Operation</b> .....	98
<b>Chiller Control Module (CCM)</b> .....	98
• INPUTS	
• OUTPUTS	
<b>Replacing Defective Processor Modules</b> .....	101
• INSTALLATION	
<b>Gateway Status LEDs</b> .....	102
• DRIVE STATUS INDICATOR	
• MS STATUS INDICATOR	
• NET A STATUS INDICATOR	
• NET B STATUS INDICATOR	
<b>Physical Data</b> .....	103
<b>APPENDIX A — ICVC PARAMETER INDEX</b> ..	118-126
<b>INDEX</b> .....	127
<b>INITIAL START-UP CHECKLIST FOR 23XRV HERMETIC SCREW LIQUID CHILLER</b> .....	CL-1 to CL-12

## INTRODUCTION

Prior to initial start-up of the 23XRV chiller, those involved in the start-up, operation, and maintenance should be thoroughly familiar with these instructions and other necessary job data. This book is outlined to familiarize those involved in the start-up, operation and maintenance of the unit with the control system before performing start-up procedures. Procedures in this manual are arranged in the sequence required for proper chiller start-up and operation.

### **▲ WARNING**

This unit uses a microprocessor control system. Do not short or jumper between terminations on circuit boards or modules. Control or board failure may result.

Be aware of electrostatic discharge (static electricity) when handling or making contact with circuit boards or module connections. Always touch a chassis (grounded) part to dissipate body electrostatic charge before working inside control center.

Use extreme care when handling tools near circuit boards and when connecting or disconnecting terminal plugs. Circuit boards can be damaged easily. Always hold boards by the edges, and avoid touching components and connections.

This equipment uses, and can radiate, radio frequency energy. If not installed and used in accordance with the instruction manual, it may interfere with radio communications. This equipment has been tested and found to comply with the limits for a Class A computing device pursuant to Subpart J of Part 15 of FCC Rules, which are designed to provide reasonable protection against such interference when operated in a commercial environment. Operation of this equipment in a residential area is likely to cause interference, in which case the user, at his own expense, will be required to take whatever measures may be required to correct the interference.

Always store and transport replacement or defective boards in an anti-static shipping bag.

## ABBREVIATIONS AND EXPLANATIONS

Frequently used abbreviations in this manual include:

CCM	— Chiller Control Module
CCN	— Carrier Comfort Network
CCW	— Counterclockwise
CSM	— Chillervisor System Manager
CW	— Clockwise
DPI	— LF2 VFD Drive Peripheral Interface Board
ECDL	— Entering Condenser Liquid
ECL	— Entering Chilled Liquid
EMS	— Energy Management System
HGBP	— Hot Gas Bypass
ICVC	— International Chiller Visual Controller
IGBT	— Insulated Gate Bipolar Transistor
I/O	— Input/Output
KAIC	— Kiloamps Interrupt Capacity
LCD	— Liquid Crystal Display
LCDL	— Leaving Condenser Liquid
LCL	— Leaving Chilled Liquid
LED	— Light-Emitting Diode
LEI	— Local Equipment Interface Translator
LF2	— Reliance LiquiFlo™ 2 VFD with Active Rectifier
OIM	— Reliance Operator Interface Module
OLTA	— Overload Trip Amps
PIC III	— Product Integrated Control III
RLA	— Rated Load Amps
RS485	— Communications Type used by ICVC and CCM
SCR	— Silicon Controlled Rectifier
SI	— International System of Units
SIO	— Sensor Input/Output
TB1	— Control Center Terminal Block 1
TB2	— Control Center Terminal Block 2
VFD	— Variable Frequency Drive

Words printed in all capital letters or in italics may be viewed on the International Chiller Visual Controller (ICVC) (e.g., LOCAL, CCN, ALARM, etc.).

Words printed in both all capital letters and italics can also be viewed on the ICVC and are parameters (e.g., *CONTROL MODE*, *COMPRESSOR START RELAY*, etc.) with associated values (e.g., modes, temperatures, percentages, pressures, on, off, etc.).

Words printed in all capital letters and in a box represent softkeys on the ICVC control center (e.g., **ENTER**, **EXIT**, **INCREASE**, **QUIT**, etc.).

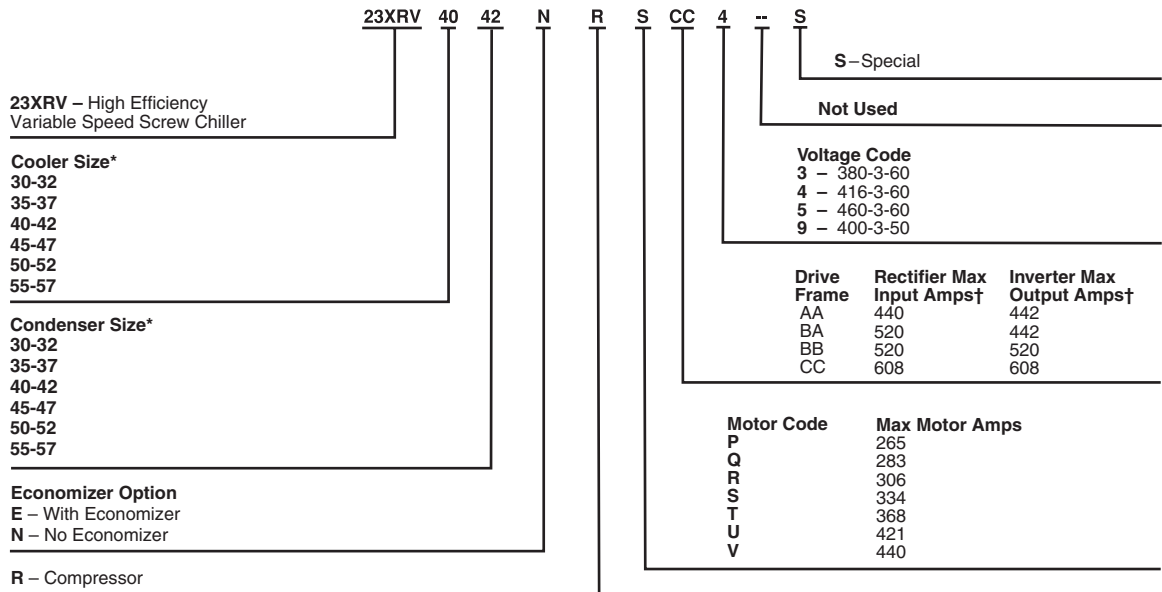
Factory-installed additional components are referred to as options in this manual; factory-supplied but field-installed additional components are referred to as accessories.

The chiller software part number of the 23XRV unit is located on the back of the ICVC.

## 23XRV CHILLER FAMILIARIZATION (Fig. 1, 2, and 3)

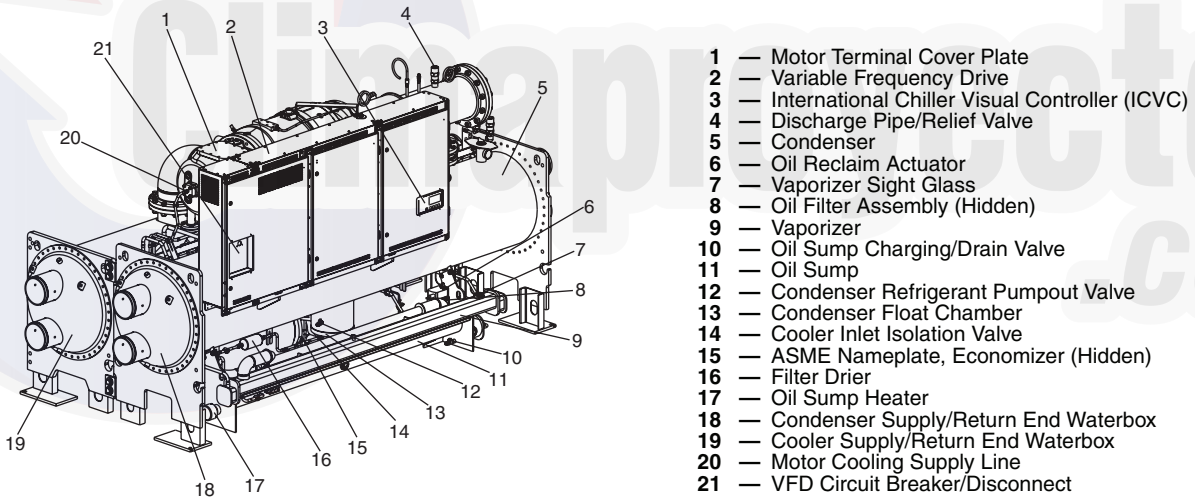
**Chiller Identification Nameplate** — The chiller identification nameplate is located on the right side of the chiller control center.

**System Components** — The components include cooler and condenser, heat exchangers in separate vessels, motor-compressor, lubrication system, control center, and optional economizer. All connections from pressure vessels have threads, flanges, or victaulic grooves to enable each component to be pressure tested during factory assembly.

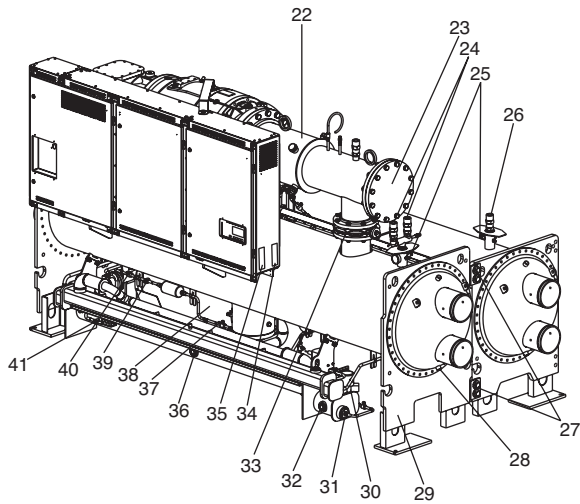


\*First number denotes frame size.  
 †Maximum limits only. Additional application limits apply that may reduce these ampacities.

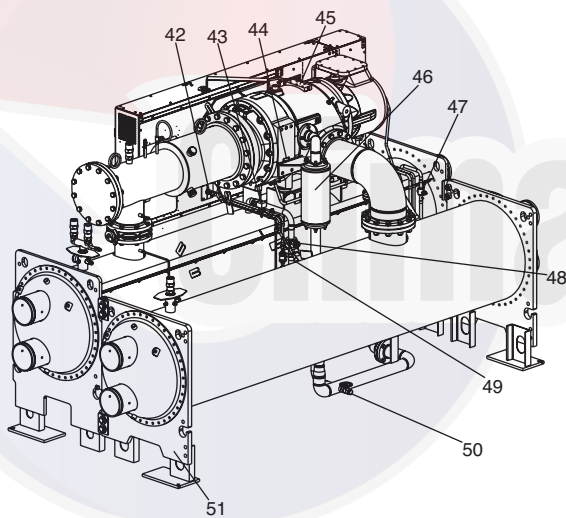
**Fig. 1 — Model Number Identification**



**Fig. 2 — Typical 23XRV Component Locations**

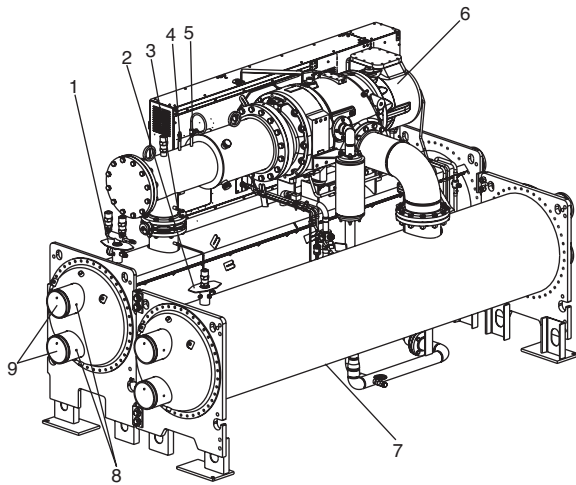


- 22 — Discharge Pipe Assembly
- 23 — Compressor Discharge Check Valve Access Cover
- 24 — Condenser Relief Valves with Three-Way Valve
- 25 — Refrigerant Charging Valves
- 26 — Cooler Relief Valve
- 27 — Tubesheet Mounting Brackets
- 28 — Typical Waterbox Drain Coupling
- 29 — ASME Nameplate, Condenser
- 30 — Oil Pump
- 31 — Oil Pump Inlet Strainer
- 32 — Strainer Housing Sight Glass
- 33 — Discharge Isolation Valve (Option or Accessory)
- 34 — Machine Electrical Data Nameplate
- 35 — Refrigeration Machine Nameplate
- 36 — Oil Sump Sight Glass
- 37 — Filter Drier Isolation Valve with Schrader
- 38 — Economizer
- 39 — Motor Cooling Sight Glass
- 40 — Filter/Drier Isolation Valve
- 41 — Vaporizer Drain Sight Glass

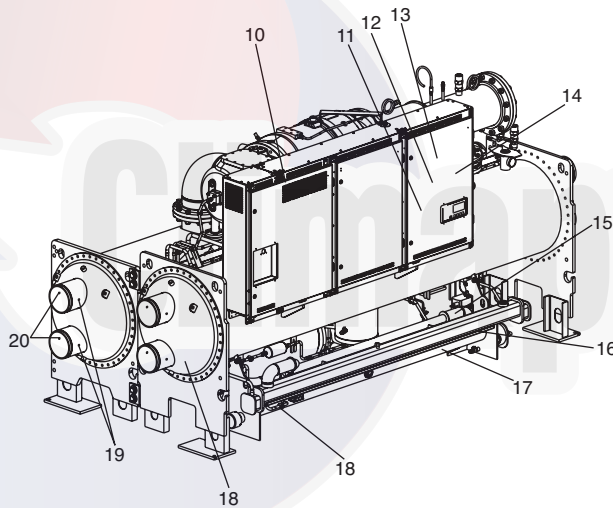


- 42 — VFD Cold Plate Refrigeration Inlet Connection (Outlet Hidden)
- 43 — VFD Refrigerant Cooling Solenoid Valve
- 44 — Compressor Nameplate
- 45 — Compressor Lubrication Block
- 46 — Economizer Muffler
- 47 — Vaporizer Condenser Gas Isolation Valve
- 48 — Hot Gas Bypass Isolation and Trim Valve
- 49 — VFD Cooling Refrigerant Strainer
- 50 — Cooler Refrigerant Pumpout Valve
- 51 — ASME Nameplate, Cooler

**Fig. 2 — Typical 23XRV Component Locations (cont)**



- 1 — Condenser Pressure
- 2 — Evaporator Pressure
- 3 — Compressor Discharge Temperature
- 4 — Compressor Discharge Pressure
- 5 — Compressor Discharge High Pressure Switch
- 6 — Compressor Motor Winding Temperature (Hidden)
- 7 — Evaporator Refrigerant Liquid Temperature (Hidden)
- 8 — Condenser Liquid Temperature
- 9 — Condenser Liquid Flow (Optional)



- 10 — Inductor Temperature Switch (Inside VFD Enclosure)
- 11 — VFD Rectifier Temperature (Inside Power Module)
- 12 — VFD Cold Plate Temperature (Inside VFD Enclosure)
- 13 — VFD Inverter Temperature (Inside Power Module)
- 14 — Humidity Sensor (Inside VFD Enclosure)
- 15 — Oil Pressure Leaving Filter (Hidden)
- 16 — Oil Sump Pressure (Hidden)
- 17 — Oil Sump Temperature (Hidden)
- 18 — Vaporizer Temperature
- 19 — Evaporator Liquid Temperature
- 20 — Evaporator Liquid Flow (Optional)

**Fig. 3 — Typical 23XRV Sensor Locations**

## REFRIGERATION CYCLE

**Cooler** — The cooler (also known as the evaporator) is maintained at low temperature/pressure so that evaporating refrigerant can remove heat from the liquid flowing through its internal tubes.

**Condenser** — This vessel is located underneath the compressor. The condenser operates at a higher temperature/pressure than the cooler and has liquid flowing through its internal tubes to remove heat from the refrigerant.

**Motor-Compressor** — The motor-compressor maintains system temperature/pressure differences and moves the heat carrying refrigerant from the cooler to the condenser. See Fig. 4.

**Muffler** — The muffler provides acoustical attenuation. A check valve just downstream of the muffler prevents reverse compressor rotation during shutdown.

**Control Center** — The control center is the user interface for controlling the chiller and regulating the chiller's capacity to maintain the proper chilled liquid temperature. See Fig. 5. The control center:

- registers cooler, condenser, and lubricating system pressures
- shows chiller operating condition and alarm shutdown conditions
- records the total chiller operating hours, starts, and the number of hours the chiller has been currently running
- sequences chiller start, stop, and recycle under microprocessor control
- provides access to other Carrier Comfort Network® devices
- provides machine protection

**Storage Vessel (Optional)** — Two sizes of storage vessels are available. The vessels have double relief valves, a magnetically coupled dial-type refrigerant level gage, a 1-in. FPT drain valve, and a 1/2-in. male flare vapor connection for the pumpout unit. A 30-in.-0-400 psi (-101-0-2750 kPa) gage is also supplied with each unit.

NOTE: If a storage vessel is not used at the jobsite, factory-installed optional isolation valves may be used to isolate the chiller charge in either the cooler or condenser. An optional pumpout compressor system is used to transfer refrigerant from vessel to vessel.

The compressor continuously draws refrigerant vapor from the cooler. As the compressor suction reduces the pressure in the cooler, the remaining refrigerant boils at a fairly low temperature (typically 38 to 42 F [3 to 6 C]). The energy required for boiling is obtained from the liquid flowing through the cooler tubes. With heat energy removed, the liquid becomes cold enough for use in an air-conditioning circuit or process liquid cooling.

After absorbing heat from the chilled liquid, the refrigerant vapor is compressed. Compression adds still more energy, and the refrigerant is quite warm (typically 90 to 130 F [32 to 54 C]) when it is discharged from compressor into condenser.

Relatively cool (typically 65 to 85 F [18 to 29 C]) liquid flowing into the condenser tubes removes heat from the refrigerant and the vapor condenses to liquid, refrigerant.

The liquid refrigerant in the condenser passes through orifices into the FLASC (Flash Subcooler) chamber (Fig. 6). Since the FLASC chamber is at a lower pressure, part of the liquid refrigerant flashes to vapor, thereby cooling the remaining liquid. The FLASC vapor is recondensed on the tubes which are cooled by entering condenser liquid. The liquid then passes through a float valve assembly which forms a liquid seal to keep FLASC chamber vapor from entering the cooler.

An optional economizer can be installed between the condenser and cooler. In this case, an in-line orifice on the economizer drain flange meters the refrigerant liquid into the cooler. Pressure in this chamber is intermediate between condenser and cooler pressures. At this lower pressure, some of the liquid refrigerant flashes to gas, cooling the remaining liquid. The flash gas, having absorbed heat, is returned directly to the compressor at a point after suction cutoff (Fig. 7). Here it is mixed with gas from the suction cut-off point to produce an increase in the mass flow of refrigerant transported and compressed without either an increase in suction volume or a change in suction temperature.

The cooled liquid refrigerant in the economizer is metered through an orifice into the cooler. Because pressure in the cooler is lower than economizer pressure, some of the liquid flashes and cools the remainder to evaporator (cooler) temperature. The cycle is now complete.

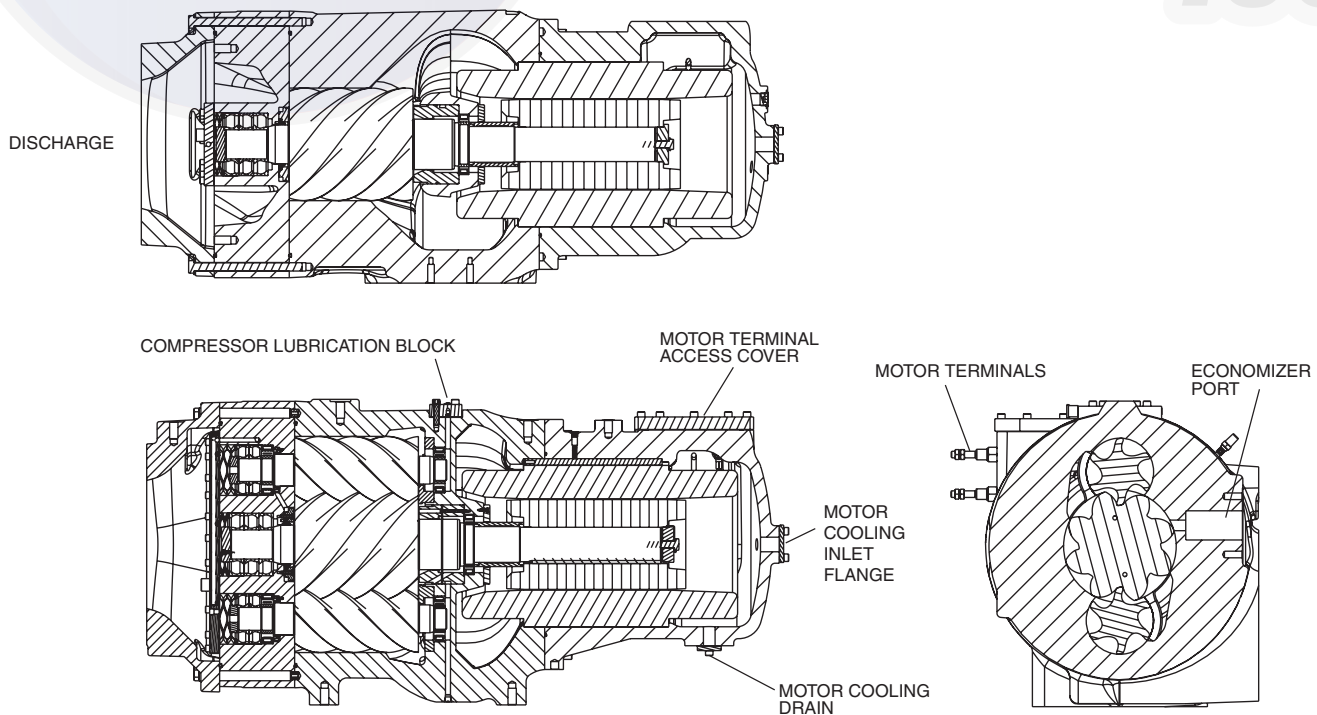
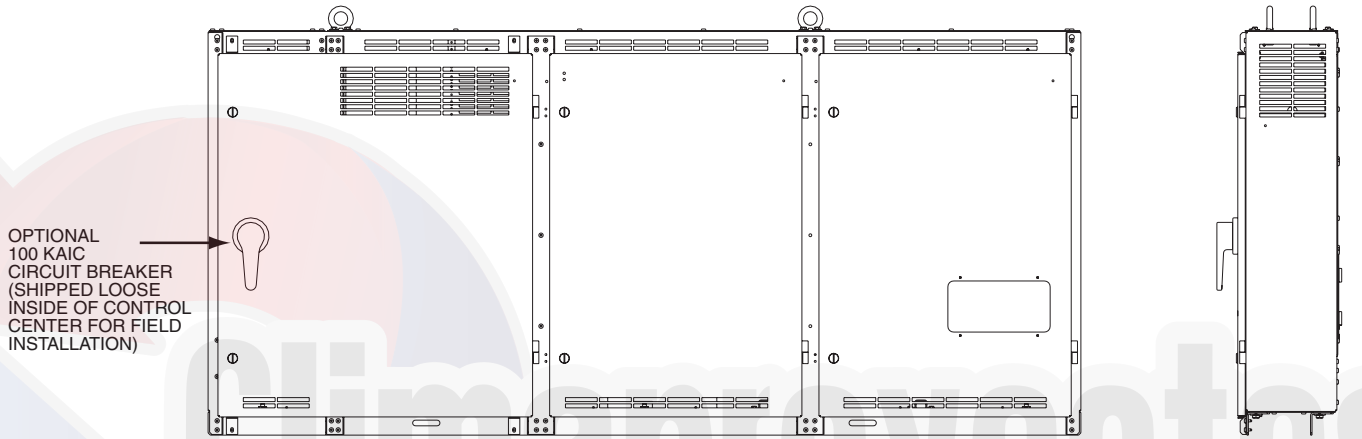
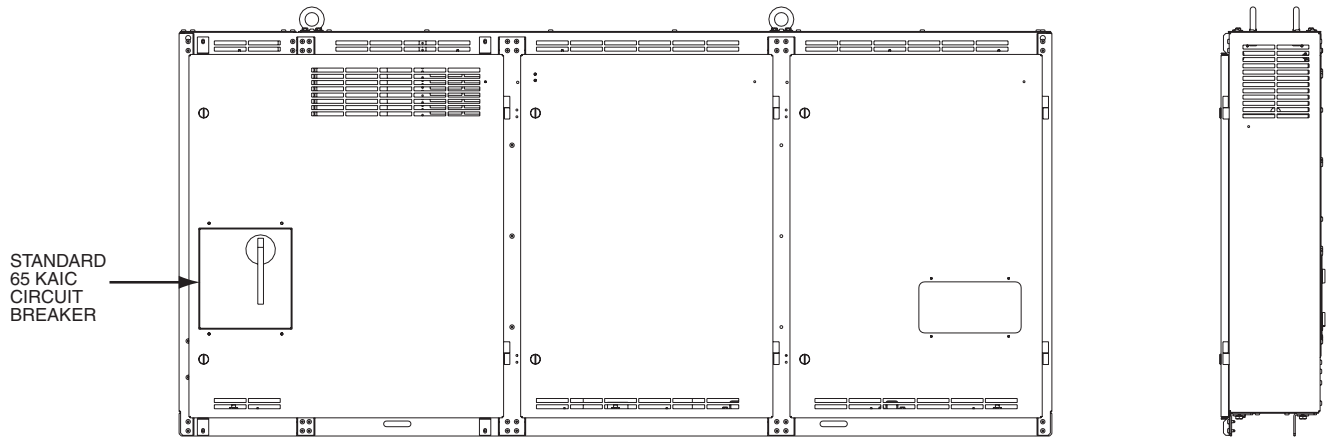
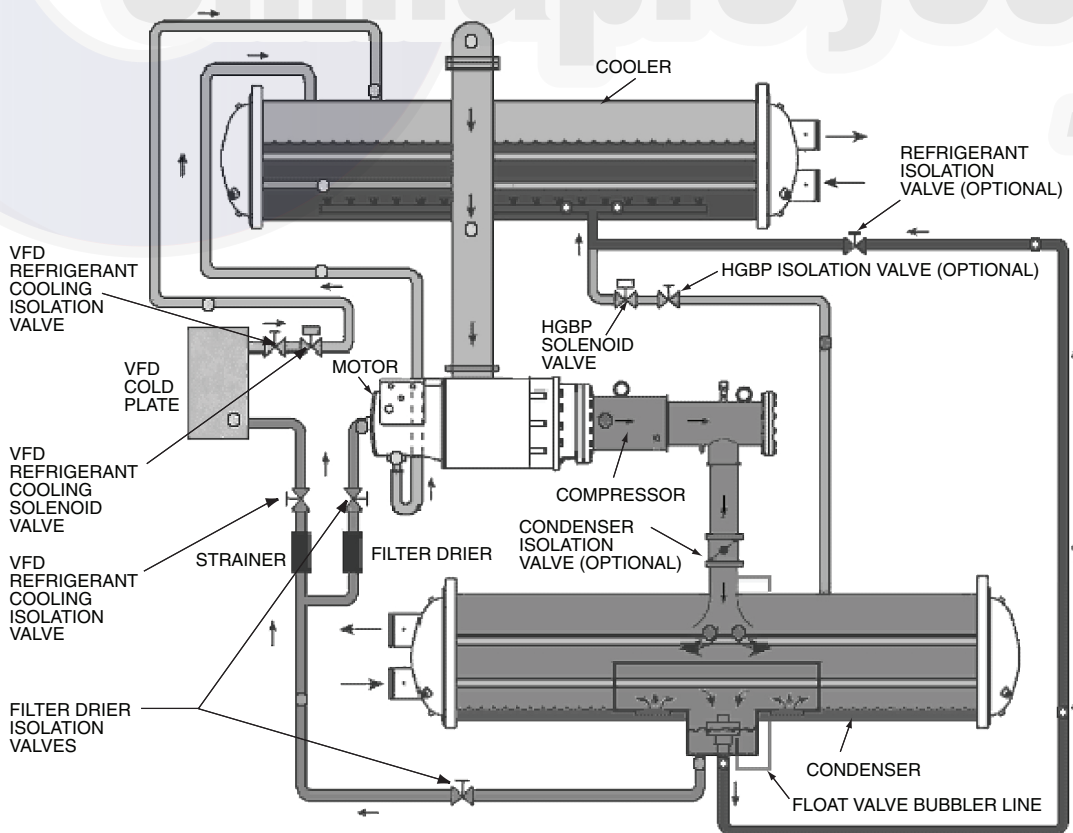


Fig. 4 — Compressor

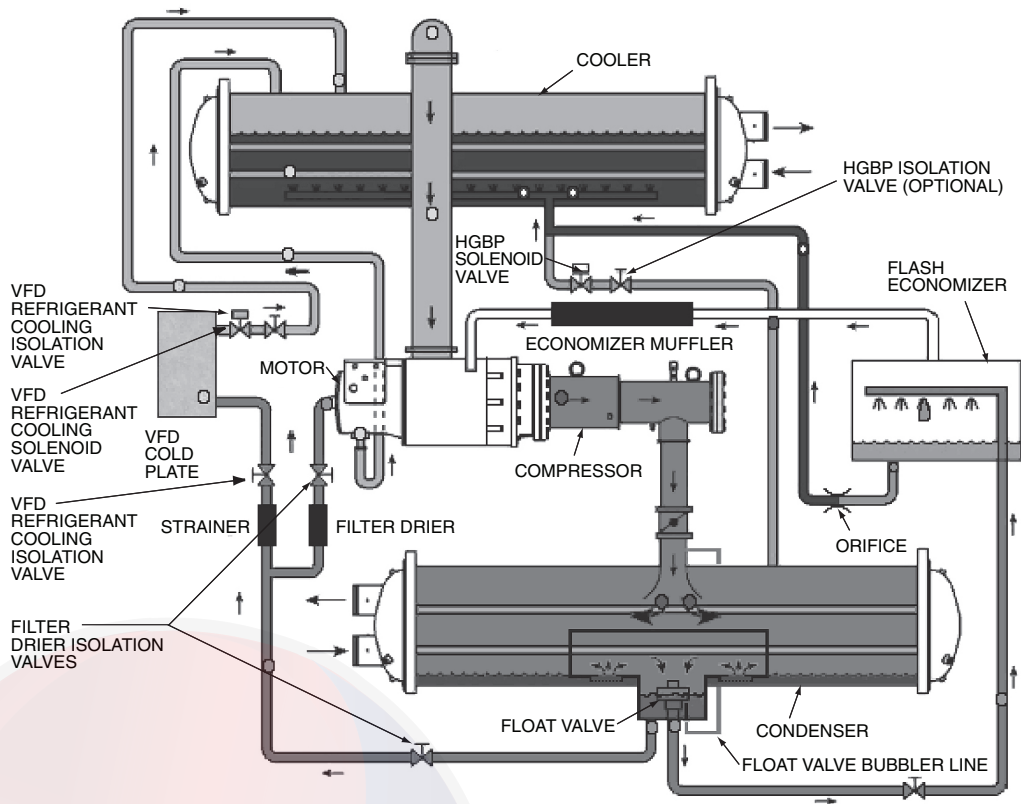




**Fig. 5 — Standard and 100-KAIC Circuit Breaker Control Center**



**Fig. 6 — Refrigerant Flow Schematic (Without Optional Flash Economizer)**



**Fig. 7 — Refrigerant Flow Schematic (With Optional Flash Economizer)**

### MOTOR COOLING CYCLE

One half of the motor is cooled by suction gas while the other half is cooled by liquid refrigerant taken from the bottom of the condenser vessel. The flow of liquid refrigerant is maintained by the pressure differential that exists due to compressor operation. The refrigerant flows through an isolation valve, in-line filter/drier, and a sight glass/moisture indicator (dry-eye), into the motor through the motor spray nozzle. See Fig. 6 or 7.

The motor spray nozzle is orificed to control refrigerant flow through the gaps between the rotor and stator. The refrigerant collects in the bottom of the motor casing and then drains into the cooler through the motor cooling drain line.

The motor is protected by a temperature sensor and a temperature switch imbedded in the stator windings. COMP MOTOR WINDING TEMP temperatures above the COMP MOTOR TEMP OVERRIDE threshold (see Capacity Override section, page 36) will override the chilled liquid temperature capacity control to hold. If the motor temperature rises 10° F (5.5 C) above this threshold, the compressor will unload. If the COMP MOTOR WINDING TEMP rises above the 220 F (104.4 C) safety limit, the compressor will shut down.

### LUBRICATION CYCLE

**Summary** — The 23XRV requires an oil pump. Oil flow is provided by a magnetically coupled, motor-driven oil pump. Oil flows through the oil filter into the compressor rotors and bearings. The cycle is referred to as a "high side" oil system. See Fig. 8.

**Details** — The oil system:

- lubricates the roller bearings which support the male and female rotors, and the ball bearings of the 23XRV compressor.
- lubricates the male and female rotors

Oil is charged into the system through a hand valve located on the bottom of the oil sump. Sight glasses on the oil sump permit oil level observation. When the compressor is shut down, an oil level should be visible in the oil sump sight glass. During operation, the oil level should always be visible in the strainer housing sight glass. Approximately 7.5 gal. (28.4 L) of oil is charged into the sump.

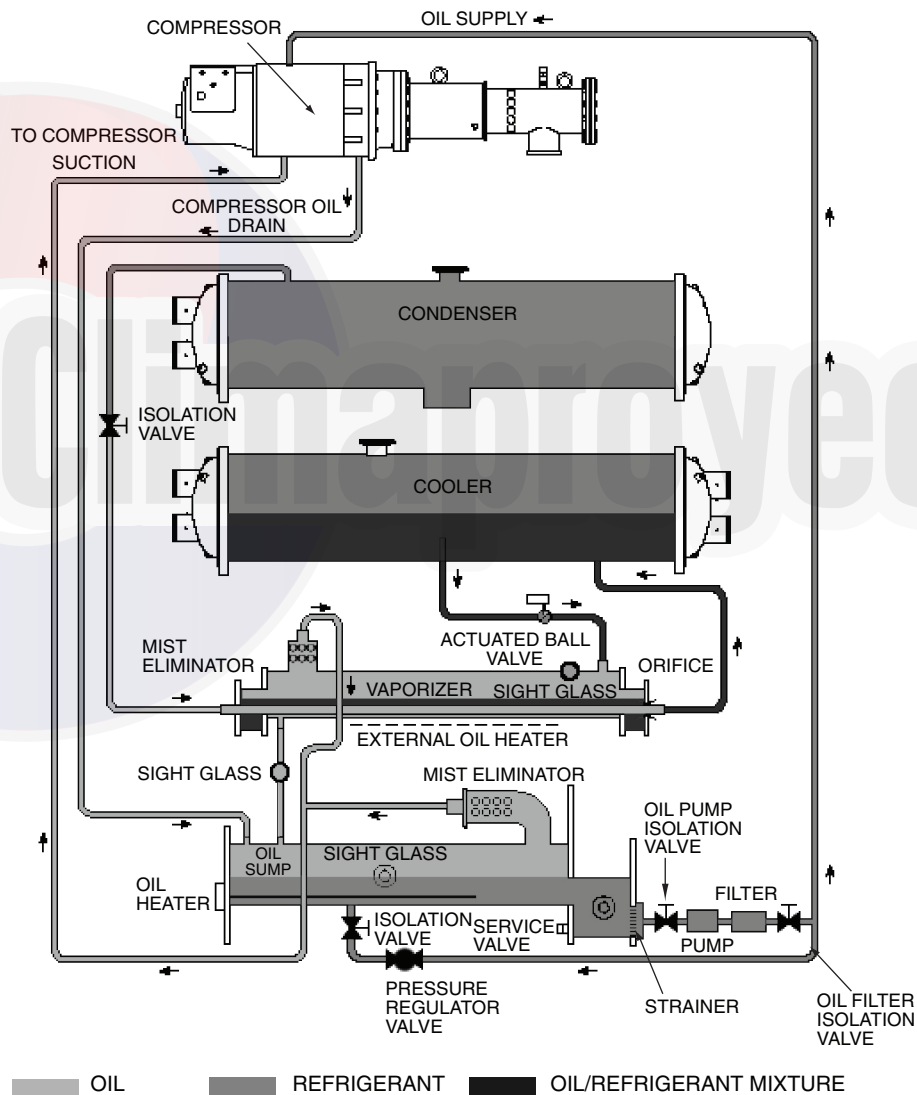
Oil from the compressor bearing drain is drained directly into the oil sump. Refrigerant is driven from the oil as it flows around the oil sump heater and into the strainer housing. The oil pump draws the oil through a strainer and forces it through an oil filter.

The filter housing is capable of being isolated by upstream and downstream valves to permit filter replacement. An oil pressure regulator valve directs excessive oil back into the oil sump. Oil supplied to the compressor is monitored by an oil pressure sensor. The OIL PRESSURE DELTA P is equal to the difference between the oil pressure leaving the filter and the oil sump pressure. It is read directly from the ICVC (International Chiller Visual Controller) default screen.

Oil is supplied to the compressor through two separate inlets. One inlet leads to the suction bearings, the other leads to the discharge bearings. Most of the oil drains back into the sump while a small amount is used to lubricate the rotors. Rotor lubrication oil leaves the compressor mixed with the compressed discharge refrigerant vapor.

The oil sump contains temperature and pressure sensors and a 530 W oil heater. The oil sump is vented to the compressor suction to minimize the amount of refrigerant absorbed by the oil. The OIL SUMP TEMPERATURE is measured and displayed on the ICVC default screen and the COMPRESS screen. The oil sump pressure is used to calculate the OIL PRESSURE DELTA P.

Operating OIL PRESSURE DELTA P must be at least 18 psid (124 kPa) after the OIL PRESS VERIFY TIME has elapsed. Under normal full load conditions, oil pressure is typically 20 to 28 psid (138 to 193 kPa). If sufficient oil pressure is not established or maintained the chiller will shut down. An oil pressure delta P sensor fault will be declared if the OIL PRESSURE DELTA P is not less than 4 psid (27.6 kPa) prior to start-up.



**Fig. 8 — Oil Flow Schematic**

If the oil pressure falls below the values specified in Table 1 during start-up, the PIC III control will shut down the chiller.

**Table 1 — Oil Pressure Requirements**

TIME (SEC)	MINIMUM START-UP OIL PRESSURE REQUIREMENT	
	HFC-134a	
	PSID	kPaD
Before Oil Pump On	< 4	27.6
After Oil Press Verify Time	18	124
During Start/Run	15	103

**Oil Reclaim System** — The oil reclaim system recovers oil from the cooler, removes the refrigerant, filters and returns the oil back to the compressor. One or more oil reclaim nozzles are positioned along the length of the cooler to draw the oil and refrigerant mixture from the surface of the refrigerant level. The mixture passes through an oil reclaim modulating valve and into the vaporizer. The flow of refrigerant and oil is regulated to prevent the vaporizer from becoming overloaded with liquid refrigerant. The modulating valve position is adjusted in accordance with the difference between the VAPORIZER TEMP and the EVAP REFRIG LIQUID TEMP. The 4 to 20 mA signal from CCM terminals J8-3 and J8-4 is converted into a 0 to 10V DC input to the oil reclaim modulating valve by a 500 ohm resistor connected between CCM terminals J8-3 and J8-4. The oil reclaim modulating valve closes when the chiller is shut down to prevent the vaporizer and oil sump from being flooded with refrigerant. Do not manually open the oil reclaim modulating valve when the chiller is shut down. Doing so will severely degrade the viscosity of the oil in the sump. Flow of refrigerant and oil from the cooler can be observed through a sight glass on top of the vaporizer.

The viscosity of the compressor oil is significantly reduced when it absorbs refrigerant. A combination of heat and low pressure is used to vaporize the refrigerant that has been absorbed by the oil mixture reclaimed from the cooler. Condenser gas is used to warm the refrigerant and oil mixture in the vaporizer. Warm refrigerant is bled from the top of the condenser, directed through a row of tubes that line the bottom of the vaporizer, and discharged into the cooler. A 1500 W surface mounted electric heater provides supplemental heat to the vaporizer when the compressor is operating at lower loads. Refrigerant boiled out of the reclaimed mixture is vented to the compressor suction. The concentrated oil mixture drains out of the vaporizer, through a sightglass, past the vaporizer temperature sensor, and into the oil sump. A 530 W oil sump heater maintains the temperature of the reclaimed oil and the oil returned from the compressor at approximately 90 F (32.2 C) when the chiller is running and 140 F (60 C) when the chiller is off. The oil sump is also vented to compressor suction to increase oil viscosity by boiling off additional refrigerant.

**Capacity Control** — The PIC III controls provide chilled liquid temperature control by modulating the frequency of the power delivered by the VFD to the compressor motor. The compressor speed is adjusted in response to the difference between the CONTROL POINT and the LEAVING CHILLED LIQUID or ENTERING CHILLED LIQUID temperatures.

The PIC III controls respond to the difference between the CONTROL POINT and LEAVING CHILLED LIQUID temperatures when the ECL CONTROL OPTION is DISABLED.

The PIC III controls respond to the difference between the CONTROL POINT and ENTERING CHILLED LIQUID temperatures when the ECL CONTROL OPTION is ENABLED.

The chiller capacity is controlled by varying the TARGET VFD SPEED from 0% to 100%. The PIC III controls monitor the compressor oil properties and set a COMPRESSOR MINIMUM SPEED to ensure sufficient compressor bearing lubrication under all operating conditions.

## CONTROLS

### Definitions

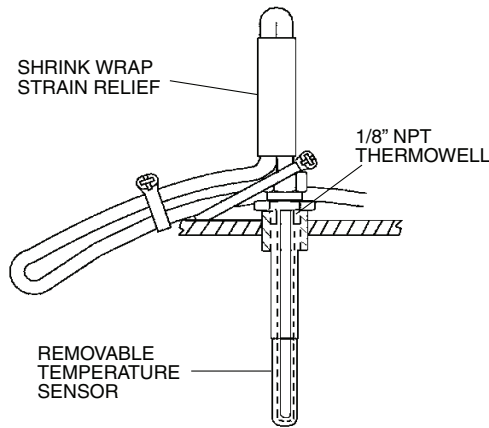
**ANALOG SIGNAL** — *An analog signal* varies in proportion to the monitored source. It quantifies values between operating limits. (Example: A temperature sensor is an analog device because its resistance changes in proportion to the temperature, generating many values.)

**DISCRETE SIGNAL** — *A discrete signal* is a two-position representation of the value of a monitored source. (Example: A switch produces a discrete signal indicating whether a value is above or below a set point or boundary by generating an on/off, high/low, or open/closed signal.)

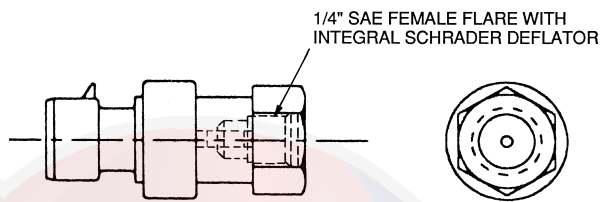
**General Controls Overview** — The 23XRV hermetic screw liquid chiller contains a microprocessor-based control center that monitors and controls all operations of the chiller. The microprocessor control system matches the cooling capacity of the chiller to the cooling load while providing state-of-the-art chiller protection. The system controls cooling capacity within the set point plus the deadband by sensing the leaving chilled liquid or brine temperature (see Fig. 9 and 10) and regulating the compressor speed. Reducing the compressor speed decreases the volume flow rate of refrigerant through the compressor. Chiller protection is provided by the PIC III processor, which monitors the digital and analog inputs and executes capacity overrides or safety shutdowns, if required.

**PIC III System Components (Fig. 11-14)** — The chiller control system is called PIC III (Product Integrated Control III). See Table 2. The PIC III controls the chiller by monitoring all operating conditions. The PIC III can diagnose a problem and let the operator know what the problem is and what to check. It promptly adjusts compressor speed to maintain leaving chilled liquid temperature. It can interface with auxiliary equipment such as pumps and cooling tower fans to turn them on when required. It continually checks all safeties to prevent any unsafe operating condition. It also regulates the oil heater and regulates the hot gas bypass valve, if installed. The PIC III controls provide critical protection for the compressor motor and control of the variable frequency drive.

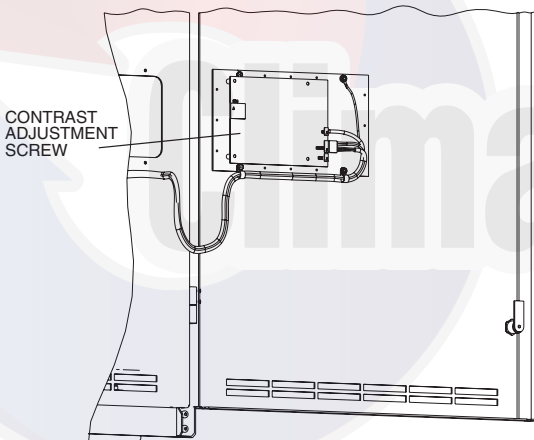
The PIC III can interface with the Carrier Comfort Network® (CCN) system if desired. It can communicate with other PIC I, PIC II or PIC III equipped chillers and other CCN devices, such as LEI (Local Equipment Interface).



**Fig. 9 — Control Sensors (Temperature)**



**Fig. 10 — Control Sensors (Pressure Transducers)**



**Fig. 11 — ICVC Contrast Adjustment**

The PIC III controls are housed inside the control center enclosure. See Fig. 14. The component names are listed below (also see Table 2):

**Table 2 — Major PIC III Components and Panel Locations**

PIC III COMPONENT	PANEL LOCATION
International Chiller Visual Controller (ICVC) and Display	Control Center Panel Door
VFD Power Module	Inside Control Center
Chiller Control Module (CCM)	Control Panel
Oil Heater Contactor (1C)	Control Panel
Oil Pump Contactor (2C)	Control Panel
Hot Gas Bypass Relay (3C) (Optional)	Control Panel
Control Transformers (T1, T2)	Control Panel
Control Transformer Circuit Breakers (CB-1A, CB-1B, CB-2A, CB-2B)	Control Panel
Temperature Sensors	See Fig. 3 and 9
Pressure Transducers	See Fig. 3 and 10
Vaporizer Heater Contactor (6C)	Control Panel

**INTERNATIONAL CHILLER VISUAL CONTROLLER (ICVC)** — The ICVC is the “brain” of the PIC III. This module contains all the primary software needed to control the chiller. The ICVC is the input center for all local chiller set points, schedules, configurable functions, and options. The ICVC has a stop button, an alarm light, four buttons for logic inputs, and a backlight display. The backlight will automatically turn off after 15 minutes of non-use. The functions of the four buttons or “softkeys” are menu driven and are shown on the display directly above the softkeys. The ICVC is mounted on the Control Center door. See Fig. 2.

To change the contrast of the display, access the adjustment on the back of the ICVC. See Fig. 11.

**CHILLER CONTROL MODULE (CCM)** — This module is located on the control panel in the control center. The CCM provides the input and outputs necessary to control the chiller. This module monitors refrigerant pressure, entering and leaving liquid temperatures and pressures, and outputs control for the oil reclaim valve, oil heaters, and oil pump. The CCM is the connection point for optional demand limit, automatic chilled liquid reset, 4 to 20 mA kW output, remote temperature reset, and refrigerant leak sensor.

**VFD POWER MODULE** — This module is located in the control center (see Fig. 12). The A/C line I/O assembly executes commands from the ICVC for functions such as starting and stopping the condenser and evaporator liquid pumps, tower fan and alarm contacts. The Standard I/O Option Assembly monitors inputs such as remote start contact, spare safety, and high condenser pressure switch and provides the 4-20 mA Head Pressure Reference Output.

**VFD GATEWAY MODULE** — The VFD Gateway Module translates the protocols between the ICVC, CCM and VFD. This module also contains logic capable of an independent safety shutdown. It shuts down the chiller if communications with the ICVC are lost. See Fig. 13 for power module component locations.

**OIL HEATER CONTACTOR (1C)** — This contactor is located on the control panel (Fig. 14) and operates the heater at 115 V. It is controlled by the PIC III to maintain oil temperature during chiller shutdown.

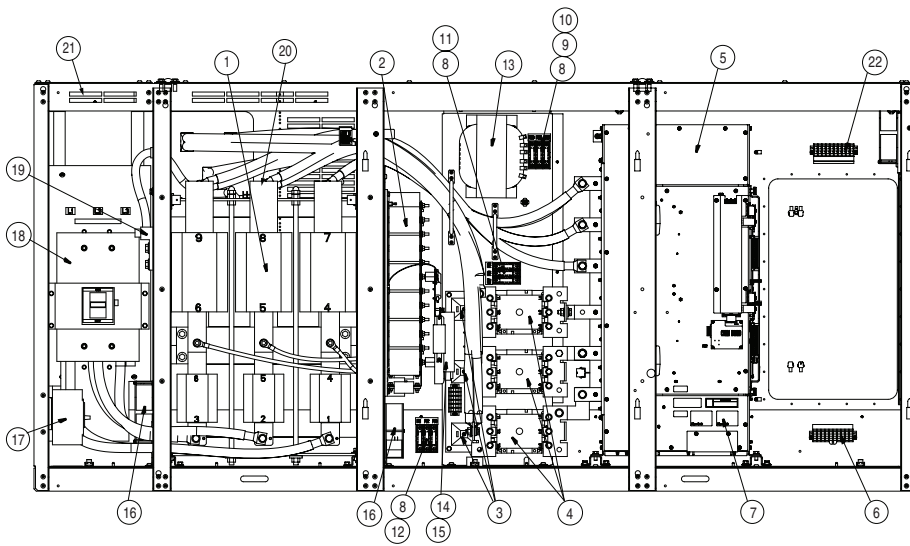
**OIL PUMP CONTACTOR (2C)** — This contactor is located in the control panel (Fig. 14) and operates the oil pump. The oil pump is controlled by the PIC III to provide oil pressure during pre-lube when the chiller is starting or running.

**HOT GAS BYPASS CONTACTOR RELAY (3C) (Optional)** — This relay, located in the power panel, controls the opening of the hot gas bypass valve. The PIC III energizes the relay based on hot gas bypass algorithm settings.

**VFD REFRIGERANT COOLING SOLENOID VALVE (5C)** — This solenoid is located on the VFD cooling line. The VFD cooling solenoid regulates the amount of time refrigerant is allowed to flow through the VFD cold plate to keep its temperature within operating limits.

**VAPORIZER HEATER CONTACTOR (6C)** — This contactor is located in the control panel (Fig. 14) and energizes the surface mounted heater on the bottom of the vaporizer.

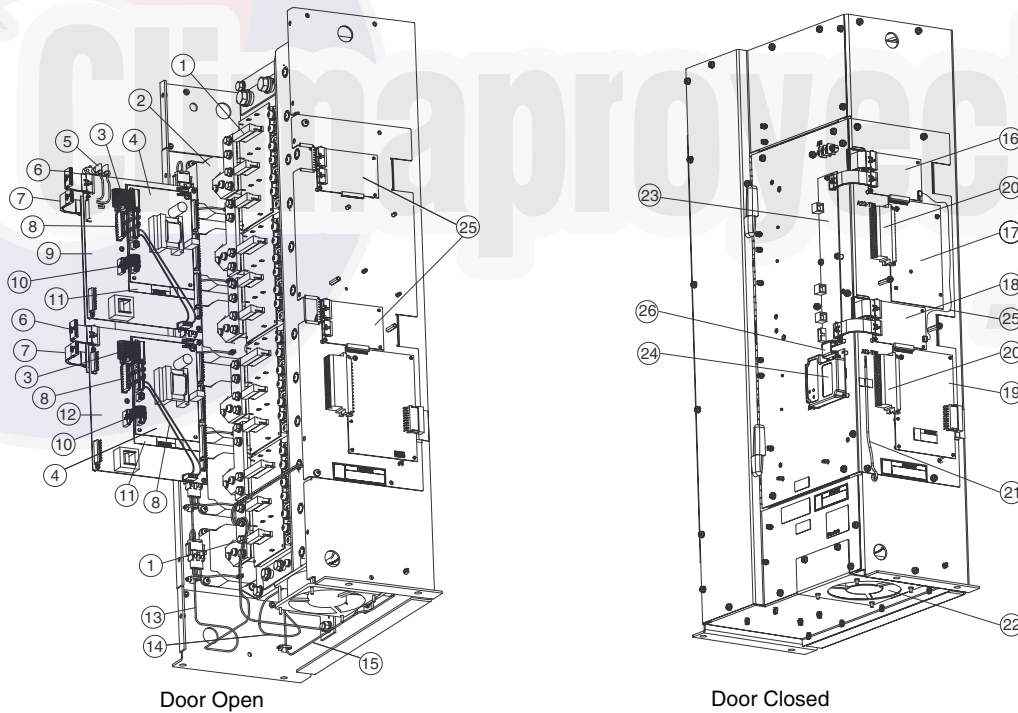
**CONTROL TRANSFORMERS (T1, T2)** — These transformers convert incoming control voltage to 24 vac power for the power panel contactor relays, CCM, ICVC, and 21 vac power for the optional DataLINK™ or DataPort™ modules. Circuit breakers CB-1A, CB-1B, CB-2A and CB-2B for the control transformers are located above the CCM.



FUSE REF	FUSE DESCRIPTION
FU1	Class CC, 1A/600V
FU2	Class CC, 1A/600V
FU3	Class CC, 1A/600V
FU4	150A/600V
FU5	150A/600V
FU6	150A/600V
FU7	Class CC, 20A/600V
FU8	Class CC, 20A/600V
FU9	Class CC, 20A/600V
FU10	Class CC, 5A/600V
FU11A&B	Class CC, 15A/600V
A2-F1	3AG SLO-BLO

- |   |   |
|---|---|
| 1 — Input Inductor Assembly                         | 12 — Fuse, Class CC, 600V, 1A (3)             |
| 2 — Capacitor Bank Assembly                         | 13 — Transformer, 3kVA                        |
| 3 — Pre-Charge Resistor Assembly                    | 14 — Line Sync PC Board Assembly              |
| 4 — AC Contactor (3)                                | 15 — Line Sync Board Cover                    |
| 5 — Power Module Assembly                           | 16 — Fan, 115V (3)                            |
| 6 — Terminal Block, 10-Position (Extra low voltage) | 17 — Control Power Circuit Breaker, 600V, 15A |
| 7 — Power Module Assembly                           | 18 — Circuit Breaker, 600V                    |
| 8 — Fuse Block, 30A, 600V, Class CC                 | 19 — Lug, Ground, 2-600 MCM                   |
| 9 — Fuse, Class CC, 600V, 15A (2)                   | 20 — Inductor Overtemperature Switch (Hidden) |
| 10 — Fuse, Class CC, 600V, 5A (1)                   | 21 — Input Power Wiring Access Panel          |
| 11 — Fuse, Class CC, 600V, 20A (3)                  | 22 — Terminal Block (Hazardous voltage)       |

**Fig. 12 — Control Center VFD Input Components**



- |  |  |
|--|--|
| 1 — Wire Harness Assembly, Gate Driver               | 14 — Wire Harness Assembly, DC Bus Bleeder Resistors |
| 2 — Current Feedback Device, 1000 A                  | 15 — Wire Harness Assembly, Line Sync                |
| 3 — Wire Harness Assembly, Power Supply, Logic       | 16 — Inverter Control Assembly*                      |
| 4 — 80 W Power Supply Assembly                       | 17 — Standard I/O Option, 24 V Assembly              |
| 5 — Terminal Block, 2-Position                       | 18 — Rectifier Control Assembly*                     |
| 6 — Cable Assembly, 40-Pin                           | 19 — AC Line I/O Assembly                            |
| 7 — Cable Assembly, 30-Pin                           | 20 — Connector, Terminal Block, 32-Pin               |
| 8 — Wire Harness Assembly, Power Supply, Upper Gate  | 21 — NTC Assembly                                    |
| 9 — Inverter Power Interface Assembly                | 22 — Internal Fan                                    |
| 10 — Wire Harness Assembly, Power Supply, Lower Gate | 23 — DPI Communications Interface Assembly           |
| 11 — Insulation Sheet                                | 24 — RS-485 Communications Assembly (VFD Gateway)    |
| 12 — Rectifier Power Interface Assembly              | 25 — Wire Harness Assembly, Control Sync             |
| 13 — Wire Harness Assembly, Current Feedback Device  | 26 — Cable Assembly, 20-pin                          |

\*The inverter control assembly (item 16) and rectifier control assembly (item 18) are physically similar but are loaded with different software. These boards are NOT interchangeable.

**Fig. 13 — Power Module Components**

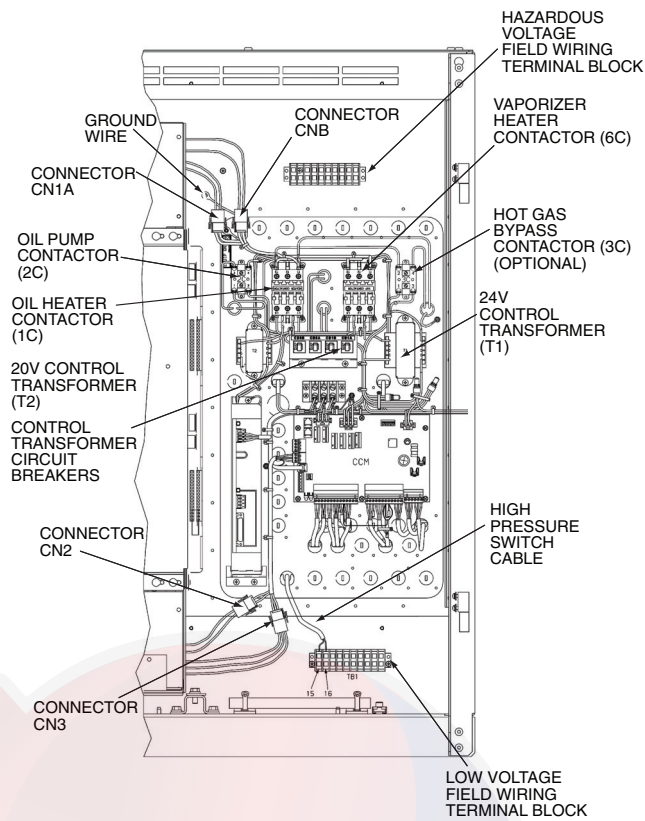


Fig. 14 — Control Panel

## ICVC Operation and Menus (Fig. 15-21)

### GENERAL

- The ICVC display automatically reverts to the default screen after 15 minutes if no softkey activity takes place (Fig. 15).
- If a screen other than the default screen is displayed on the ICVC, the name of that screen is in the upper right corner (Fig. 16).
- The ICVC may be set to display either English or SI units. Use the ICVC CONFIGURATION screen (accessed from the SERVICE menu) to change the units. See the Service Operation section, page 45.
- Local Operation — The PIC III can be placed in local operating mode by pressing the **LOCAL** softkey. The PIC III then accepts commands from the ICVC only and uses the Local Time Schedule to determine chiller start and stop times.
- CCN Operation — The PIC III can be placed in the CCN operating mode by pressing the **CCN** softkey. The PIC III then accepts modifications from any CCN interface or module (with the proper authority), as well as from the ICVC. The PIC III uses the CCN Time Schedule to determine start and stop times.

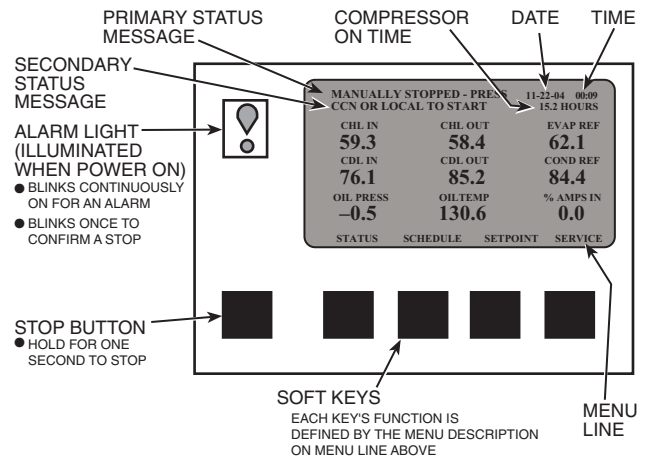


Fig. 15 — ICVC Default Screen

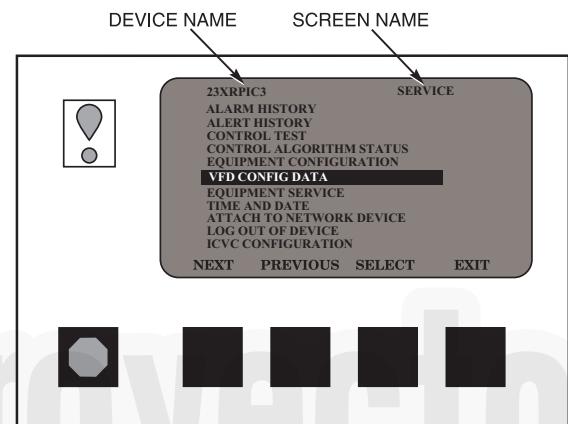


Fig. 16 — ICVC Service Screen

**ALARMS AND ALERTS** — An alarm shuts down the compressor. An alert does not shut down the compressor, but it notifies the operator that an unusual condition has occurred. An alarm (\*) or alert (!) is indicated in the STATUS column on the right side of the MAINSTAT display screen. See Fig. 17.

Alarms are indicated when the control center alarm light (!) flashes. The primary alarm message is displayed on the default screen. An additional, secondary message and troubleshooting information are sent to the ALARM HISTORY screen.

When an alarm is detected, the ICVC default screen will freeze (stop updating) at the time of alarm. The freeze enables the operator to view the chiller conditions at the time of alarm. Additional information is stored in the VFD\_HIST screen. The STATUS tables will show the updated information. Once all alarms have been cleared (by pressing the **RESET** softkey), the default ICVC screen will return to normal operation.

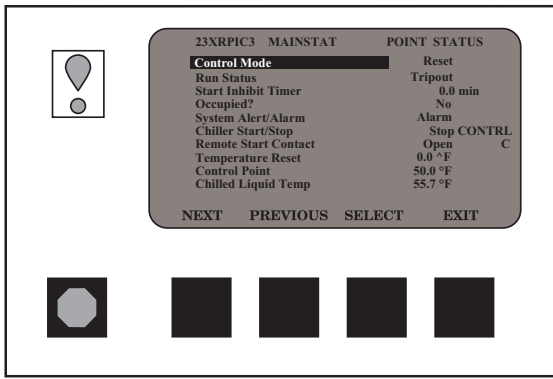


Fig. 17 — Example of MAINSTAT Screen

ICVC MENU ITEMS — To perform any of the operations described below, the PIC III must be powered up and have successfully completed its self test. The self test takes place automatically, after power-up.

Press the **[MENU]** softkey to view the list of menu structures: **[STATUS]**, **[SCHEDULE]**, **[SETPOINT]**, and **[SERVICE]**.

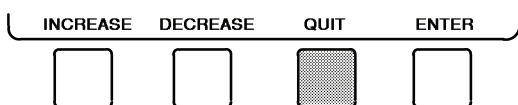
- The STATUS menu allows viewing and limited calibration or modification of control points and sensors, relays and contacts, and the options board.
- The SCHEDULE menu allows viewing and modification of the local and CCN Time Schedules.
- The SETPOINT menu allows set point adjustments, such as the ENTERING CHILLED LIQUID and LEAVING CHILLED LIQUID set points.
- The SERVICE menu can be used to view or modify information on the ALARM HISTORY, ALERT HISTORY, CONTROL TEST, CONTROL ALGORITHM STATUS, EQUIPMENT CONFIGURATION, VFD CONFIG DATA, EQUIPMENT SERVICE, TIME AND DATE, ATTACH TO NETWORK DEVICE, LOG OUT OF DEVICE, AND ICVC CONFIGURATION screens.

For more information on the menu structures, refer to Fig. 18.

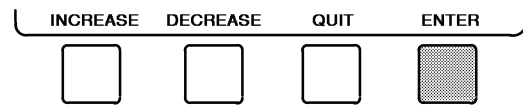
Press the softkey that corresponds to the menu structure to be viewed: **[STATUS]**, **[SCHEDULE]**, **[SETPOINT]**, or **[SERVICE]**. To view or access parameters within any of these menu structures, use the **[NEXT]** and **[PREVIOUS]** softkeys to scroll to the desired item or table. Use the **[SELECT]** softkey to select that item. The softkey choices that then appear depend on the selected table or menu. The softkey choices and their functions are described below.

BASIC ICVC OPERATIONS (Using the Softkeys) — To perform any of the operations described below, the PIC III must be powered up and have successfully completed its self test.

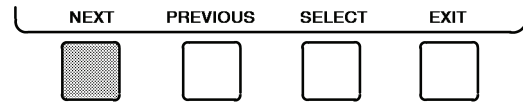
- Press **[QUIT]** to leave the selected decision or field without saving any changes.



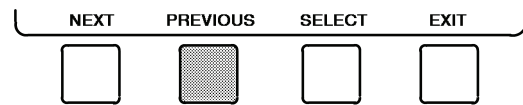
- Press **[ENTER]** to leave the selected decision or field and save changes.



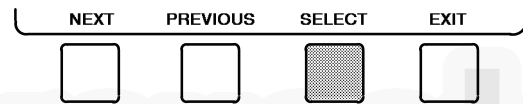
- Press **[NEXT]** to scroll the cursor bar down in order to highlight a point or to view more points below the current screen.



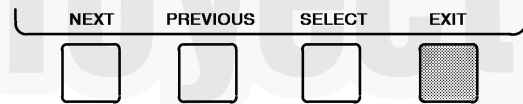
- Press **[PREVIOUS]** to scroll the cursor bar up in order to highlight a point or to view points above the current screen.



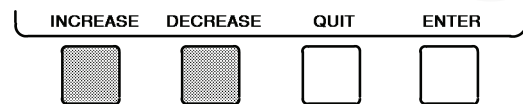
- Press **[SELECT]** to view the next screen level (highlighted with the cursor bar), or to override (if allowable) the highlighted point value.



- Press **[EXIT]** to return to the previous screen level.

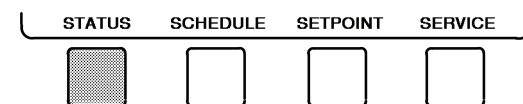


- Press **[INCREASE]** or **[DECREASE]** to change the highlighted point value.



TO VIEW STATUS (Fig. 17) — The MAINSTAT table shows the actual value of overall chiller status such as CONTROL MODE, RUN STATUS, AUTO CHILLED LIQ RESET, and REMOTE RESET SENSOR.

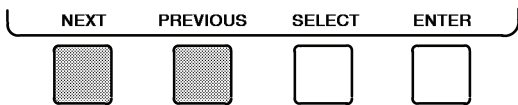
1. On the menu screen, press **[STATUS]** to view the list of point status tables.



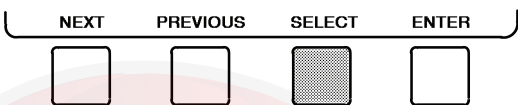


2. Press **NEXT** or **PREVIOUS** to highlight the desired status table. The list of tables is:

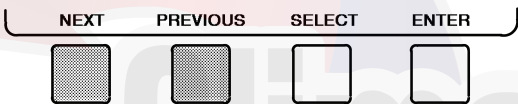
- MAINSTAT — Overall chiller status
- STARTUP — Status required to perform start-up of chiller
- COMPRESS — Status of sensors related to the compressor
- HEAT\_EX — Status of sensors related to the heat exchangers
- POWER — Status of motor input power
- VFD\_STAT — Status of the variable frequency drive
- ICVC\_PSWD — Service menu password forcing access screen



3. Press **SELECT** to view the desired point status table.



4. On the point status table, press **NEXT** or **PREVIOUS** until the desired point is displayed on the screen.



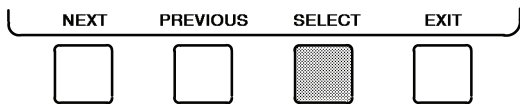
## OVERVERRIDE OPERATIONS

### To Override a Value or Status

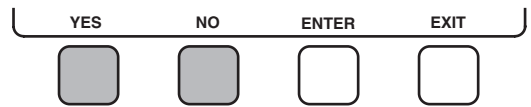
1. From any point status screen, press **NEXT** or **PREVIOUS** to highlight the desired value.



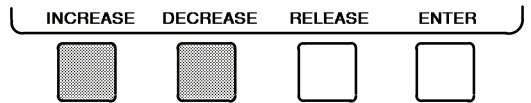
2. Press **SELECT** to select the highlighted value. Then:



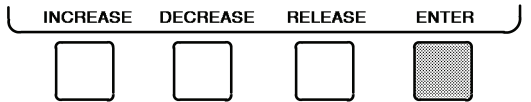
For Discrete Points — Press **YES** or **NO** to select the desired state.



For Analog Points — Press **INCREASE** or **DECREASE** to select the desired value.



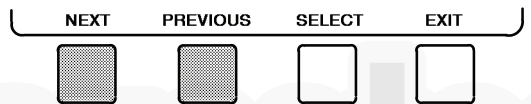
3. Press **ENTER** to register the new value.



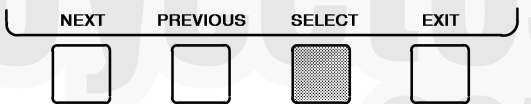
NOTE: When overriding or changing metric values, it is necessary to hold down the softkey for a few seconds in order to see a value change, especially on kilopascal values.

### To Remove an Override

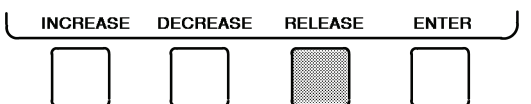
1. On the point status table press **NEXT** or **PREVIOUS** to highlight the desired value.



2. Press **SELECT** to access the highlighted value.



3. Press **RELEASE** to remove the override and return the point to the PIC III's automatic control.



**Override Indication** — An override value is indicated by “SUPVSR,” “SERVC,” or “BEST” flashing next to the point value on the STATUS table.

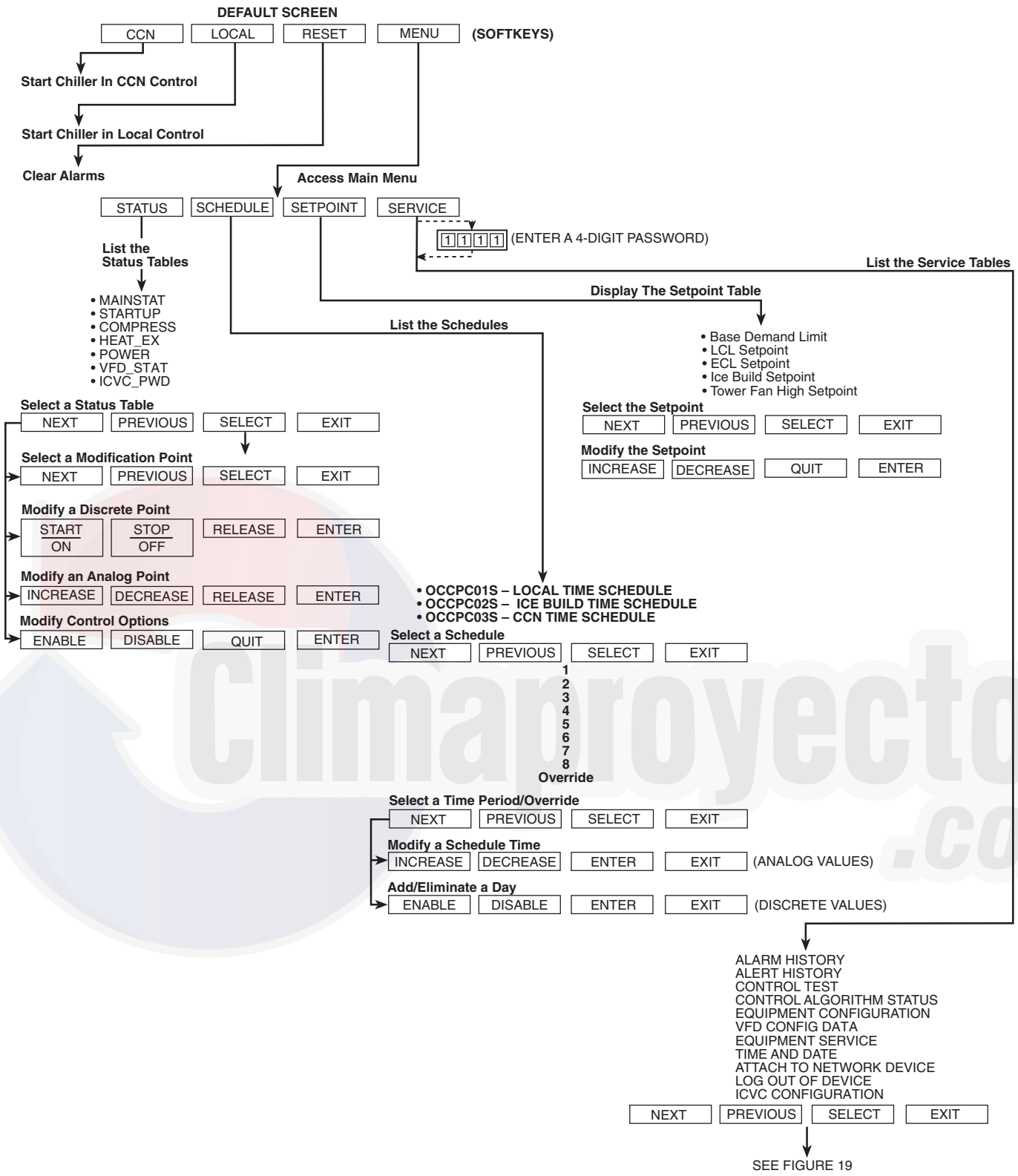
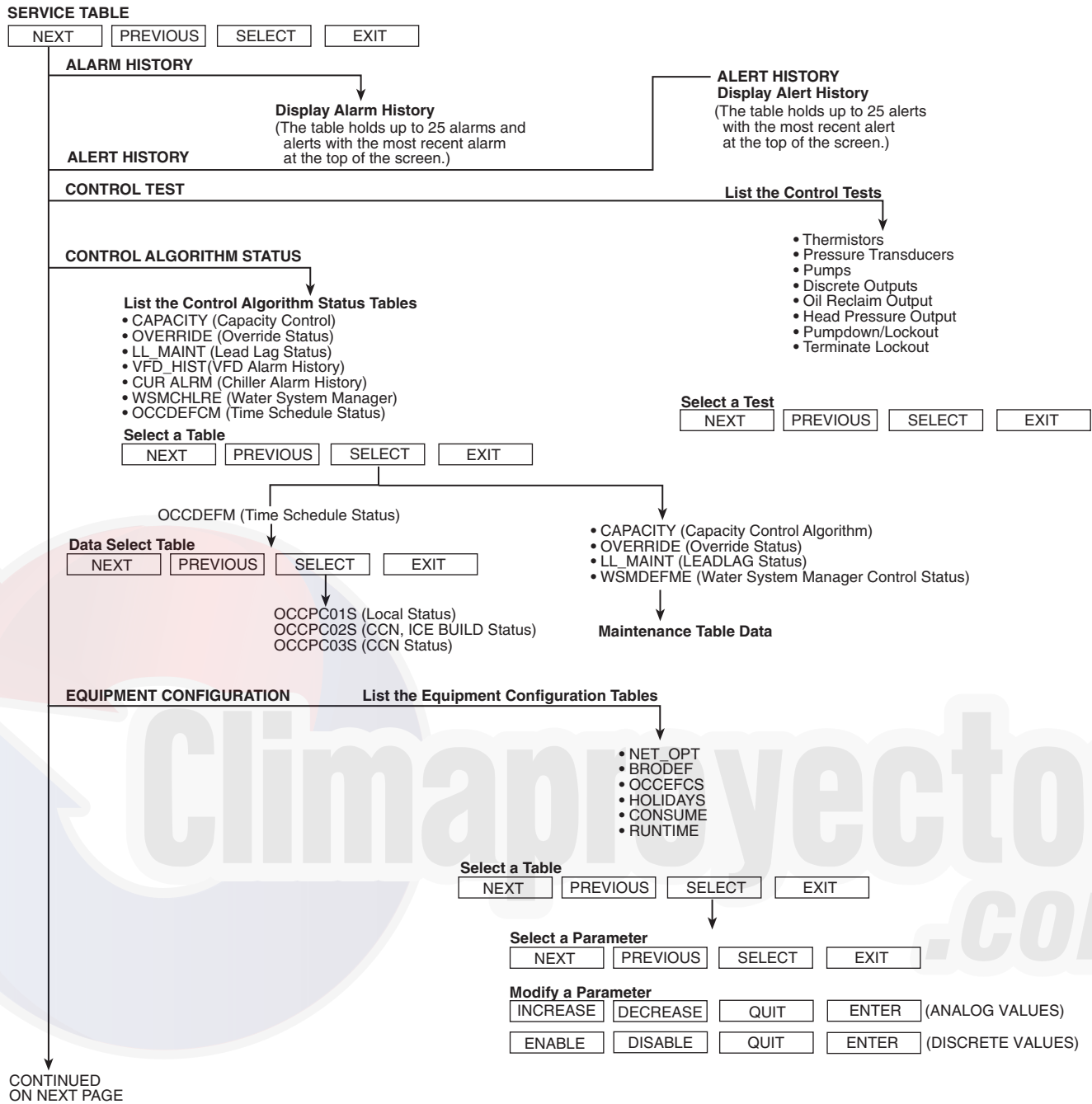
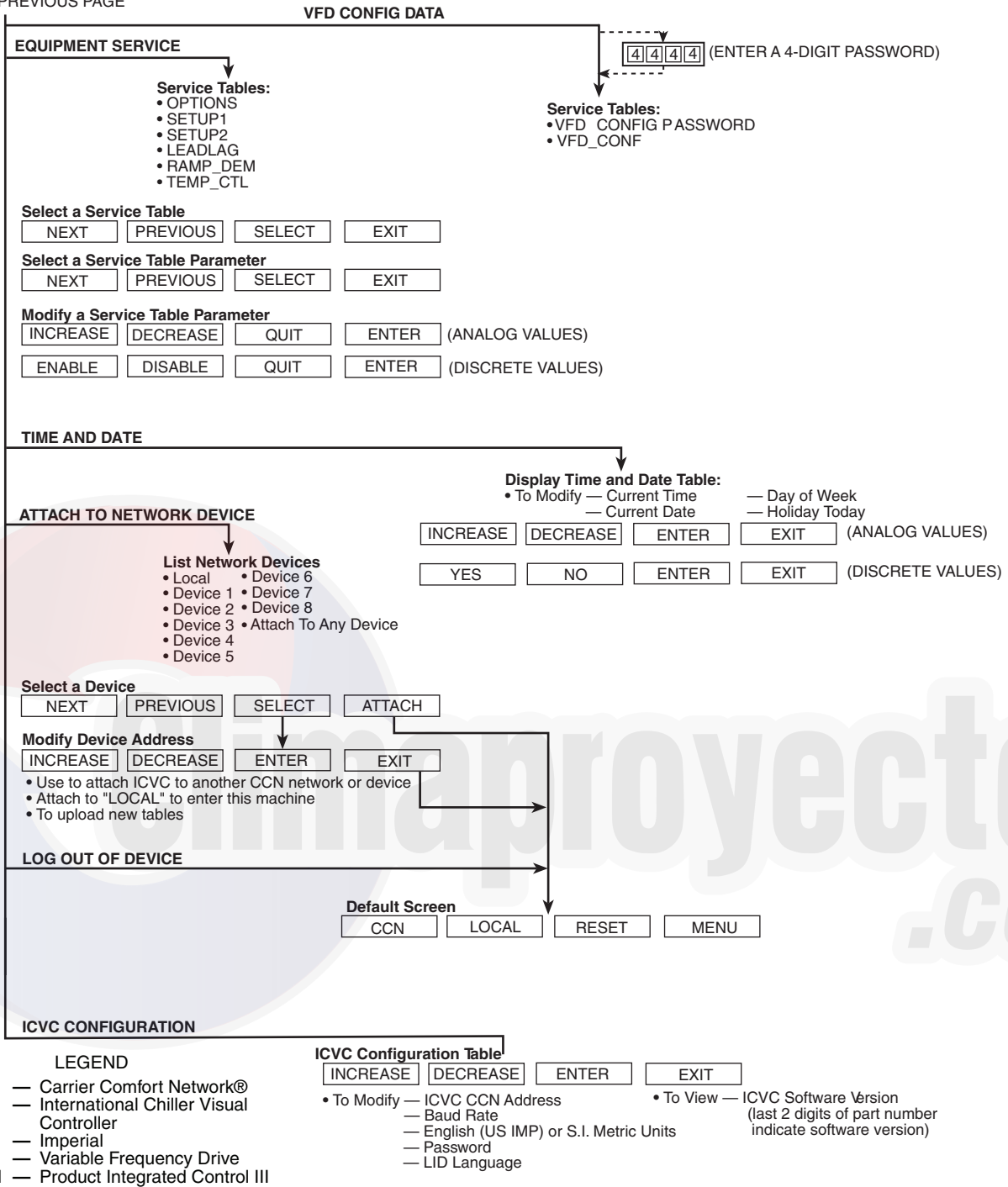


Fig. 18 — 23XRV ICVC Menu Structure



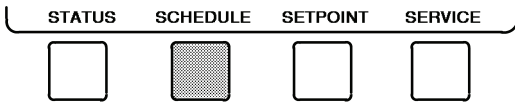
**Fig. 19 — 23XRV Service Menu Structure**



**Fig. 19 — 23XRV Service Menu Structure (cont)**

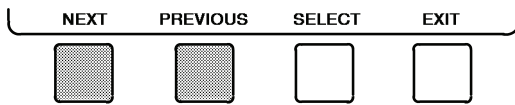
TIME SCHEDULE OPERATION (Fig. 20)

1. On the Menu screen, press **SCHEDULE**.

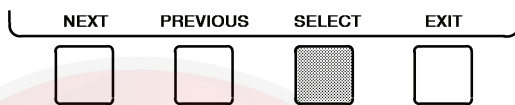


2. Press **NEXT** or **PREVIOUS** to highlight the desired schedule.

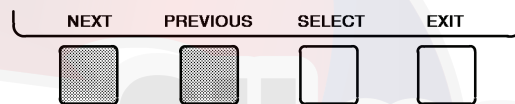
OCCPC01S — LOCAL Time Schedule  
 OCCPC02S — ICE Build Schedule  
 OCCPC03S — CCN Time Schedule



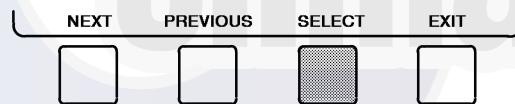
3. Press **SELECT** to view the desired time schedule.



4. Press **NEXT** or **PREVIOUS** to highlight the desired period or override to change.



5. Press **SELECT** to access the highlighted period or override.



6. a. Press **INCREASE** or **DECREASE** to change the time values. Override values are in one-hour increments, up to 4 hours.

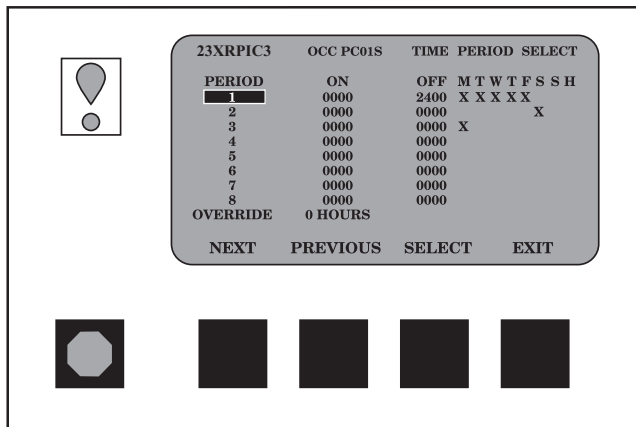
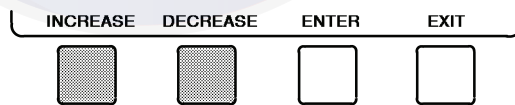
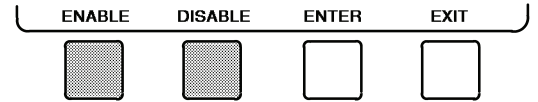
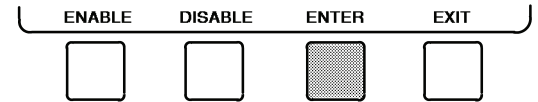


Fig. 20 — Example of Time Schedule Operation Screen

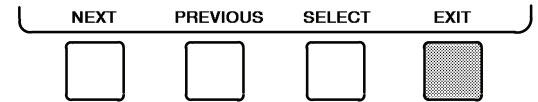
- b. Press **ENABLE** to select days in the day-of-week fields. Press **DISABLE** to eliminate days from the period.



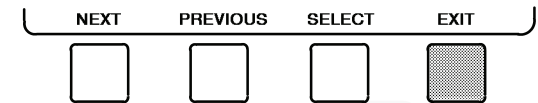
7. Press **ENTER** to register the values and to move horizontally (left to right) within a period.



8. Press **EXIT** to leave the period or override.



9. Either return to Step 4 to select another period or override, or press **EXIT** again to leave the current time schedule screen and save the changes.



10. The Holiday Designation (HOLIDAYS table) may be found in the Service Operation section, page 45. The month, day, and duration for the holiday must be assigned. The TIME BROADCAST ENABLE function in the BRODEF screen also must be enabled for holiday periods to function.

TO VIEW AND CHANGE SET POINTS (Fig. 21)

1. To view the SETPOINT table, from the MENU screen press **SETPOINT**.

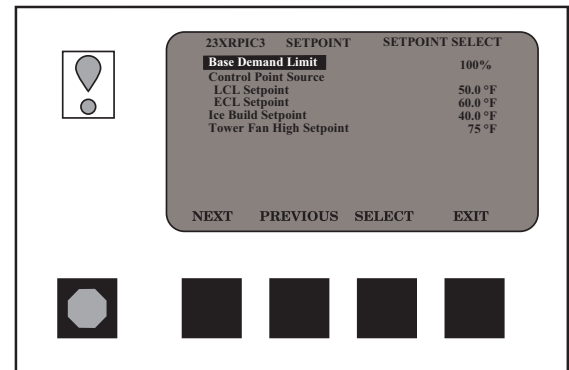
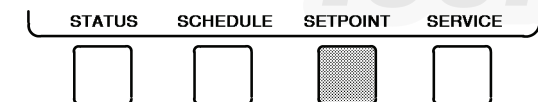
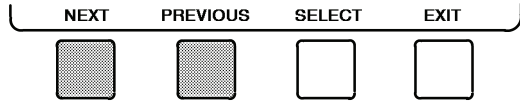
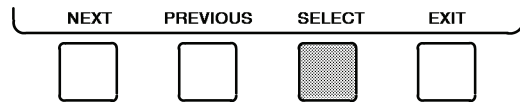


Fig. 21 — Example of Set Point Screen

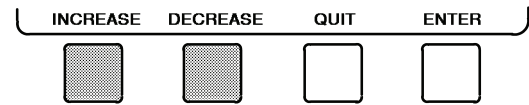
- There are 5 set points on this screen: BASE DEMAND LIMIT, LCL SETPOINT (leaving chilled liquid set point), ECL SETPOINT (entering chilled liquid set point), ICE BUILD SETPOINT and TOWER FAN HIGH SETPOINT. Only one of the CONTROL POINT SOURCES (LCL or ECL) can be active at one time. The control point source that is active is determined from the TEMP\_CTL screen. See the Service Operation section, page 45.
- Press **NEXT** or **PREVIOUS** to highlight the desired set point entry.



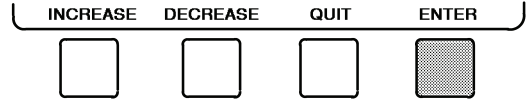
- Press **SELECT** to modify the highlighted set point.



- Press **INCREASE** or **DECREASE** to change the selected set point value.



- Press **ENTER** to save the changes and return to the previous screen.



**SERVICE OPERATION** — To view the menu-driven programs available for Service Operation, see Service Operation section, page 45. For examples of ICVC display screens, see Table 3.

**Table 3 — ICVC Display Data**

**IMPORTANT:** The following notes apply to all Table 3 examples.

- Only 12 lines of information appear on the ICVC screen at any one time. Press the **NEXT** or **PREVIOUS** softkey to highlight a point or to view items below or above the current screen. Double-click the **NEXT** softkey to page forward; double-click the **PREVIOUS** softkey to page back.
- To access the information shown in Examples 9 through 23, enter your 4-digit password after pressing the **SERVICE** softkey. If no softkeys are pressed for 15 minutes, the ICVC automatically logs off (to prevent unrestricted access to PIC III controls) and reverts to the default screen. If this happens, you must re-enter your password to access the tables shown in Examples 9 through 23.
- Terms in the Description column of these tables are listed as they appear on the ICVC screen.
- The ICVC may be configured in English or Metric (SI) units using the ICVC CONFIGURATION screen. See the Service Operation section, page 45, for instructions on making this change.
- The items in the Reference Point Name column *do not appear on the ICVC screen*. They are data or variable names used in CCN, Building Systems Interface (BSI) or Local Equipment Interface (LEI) Module software (optional). They are listed in these tables as a convenience to the operator if it is necessary to cross reference CCN/BSI documentation or use CCN/BSI programs. For more information, see the CCN literature.
- Reference Point Names shown in these tables in all capital letters can be read by CCN and BSI software. Of these capitalized names, those preceded by a dagger can also be changed (that is, written to)

by the CCN, BSI, LEI, and the ICVC. Capitalized Reference Point Names preceded by two asterisks can be changed only from the ICVC. Reference Point Names in lower case type can be viewed by CCN or BSI only by viewing the whole table.

- Alarms and Alerts: An asterisk in the far right field of a ICVC status screen indicates that the chiller is in an alarm state; an exclamation point in the far right field of the ICVC screen indicates an alert state. The asterisk (or exclamation point) indicates that the value on that line has exceeded (or is approaching) a limit. For more information on alarms and alerts, see the Alarms and Alerts section, page 15.
- Index of all ICVC Parameters is shown in Appendix A.

**LEGEND**

- 1CR — Control Relay
- CCN — Carrier Comfort Network®
- CHL — Chilled Liquid
- CR — Control Relay
- CT — Current Transformer
- I2T — Motor Overload
- ICVC — International Chiller Visual Controller
- ECL — Entering Chilled Liquid
- HGBP — Hot Gas Bypass
- LCL — Leaving Chilled Liquid
- LRA — Locked Rotor Amps
- mA — Milliamps
- P — Pressure
- T — Temperature
- VFD — Variable Frequency Drive
- WSM — Liquid System Manager
- °F — Temperature in Degrees Fahrenheit
- ΔF — Temperature Difference in Degrees Fahrenheit

**EXAMPLE 1 — ICVC DEFAULT SCREEN**

The following data is displayed in the ICVC Default screen.

DESCRIPTION	RANGE	UNITS	REFERENCE POINT NAME (ALARM HISTORY)	DISPLAY
(PRIMARY MESSAGE) (SECONDARY MESSAGE) (DATE AND TIME)				
Compressor Overtime	0-500000.0	HOURS	C_HRS	
Entering Chilled Liquid	-40-245	°F (°C)	ECL	CHL IN
Leaving Chilled Liquid	-40-245	°F (°C)	LCL	CHL OUT
Evaporator Refrigerant Temperature*	-40-245	°F (°C)	ERT_EST	EVAP REF
Entering Condenser Liquid	-40-245	°F (°C)	ECDL	CDL IN
Leaving Condenser Liquid	-40-245	°F (°C)	LCDL	CDL OUT
Condenser Refrigerant Temperature	-40-245	°F (°C)	CRT	COND REF
Oil Pressure Delta P	-6.7-425	PSI (kPa)	OIL_PD	OILPRESS
Oil Sump Temp	-40-245	°F (°C)	OILT	OIL TEMP
Percent Line Current	0-999	%	AMPS_P	% AMPS IN
CCN	0-1		CCN	
LOCAL	0-1		LOCAL	
RESET	0-1		RESET	

\*The Evaporator Refrigerant Temperature displayed is the smaller value of EVAP REFRIG LIQUID TEMP or CALC EVAP SAT TEMP.

NOTE: The last three entries are used to indicate operating mode to the PIC III. These values may be forced by the ICVC only.

**Table 3 — ICVC Display Data (cont)**

**EXAMPLE 2 — MAINTSTAT DISPLAY SCREEN**

To access this display from the **ICVC default** screen:

1. Press **[MENU]**.
2. Press **[STATUS]** (**[MAINSTAT]** will be highlighted).
3. Press **[SELECT]**.

DESCRIPTION	STATUS	UNITS	POINT
<b>Control Mode</b>	NOTE 2	NOTE 2	MODE
<b>Run Status</b>	NOTE 3	NOTE 3	STATUS
<b>Start Inhibit Timer</b>	0-15	min	T_START
<b>Occupied ?</b>	0/1	NO/YES	OCC
<b>System Alert/Alarm</b>	0-2	NOTE 4	SYS_ALM
<b>*Chiller Start/Stop</b>	0/1	STOP/START	CHIL_S_S
<b>*Remote Start Contact</b>	0/1	OPEN/CLOSE	REMCON
<b>Temperature Reset</b>	-30-30	° F (° C)	T_RESET
<b>*Control Point</b>	10-65	° F (° C)	LCW_STPT
<b>Chilled Liquid Temp</b>	-40-245	° F (° C)	CHL_TMP
<b>*Active Demand Limit</b>	40-100	%	DEM_LIM
<b>Percent Line Current</b>	0.0-9999	%	LN_AMPS_P
<b>Percent Line Kilowatts</b>	0.0-9999	%	LINE_KW_P
<b>Auto Demand Limit Input</b>	4-20	mA	AUTODEM
<b>Auto Chilled Liq Reset</b>	4-20	mA	AUTORES
<b>Remote Reset Sensor</b>	-40-245	° F (° C)	R_RESET
<b>†Total Compressor Starts</b>	0-99999		C_STARTS
<b>Starts in 12 Hours</b>	0-8		STARTS
<b>†Compressor Ontime</b>	0-500000.0	HOURS	C_HRS
<b>*Service Ontime</b>	0-32767.0	HOURS	S_HRS
<b>Ice Build Contact</b>	0/1	OPEN/CLOSE	ICE_CON
<b>Refrigerant Leak Sensor PPM</b>	0.0-9999.0	mA	REF_LEAK
<b>Emergency Stop</b>	0/1	ENABLE/EMSTOP	EMSTOP

**NOTES:**

1. Numbers in parentheses indicate the equivalent CCN BEST++™ programming LEI or BACnet™ Translator use.
2. Off (0), Local (1), CCN (2), Reset (3)
3. Timeout (0), Ready (1), Recycle (2), Startup (3), Running (4), Demand (5), Ramping (6), Auto Restart (7), Override (8), Tripout (9), Control Test (10), Lockout (11), Pumpdown (12), Prestart (13)
4. Normal (0), Alert (1), Alarm (2).
5. All variables with capital letter point names are available for CCN read operation.  
 Those shown with (\*) support write operations for all CCN and LEI devices.  
 Those shown with (†) shall support one time write operations for the ICVC only when the value is initially zero.  
 Those shown with (\*\*) shall support write operations for the ICVC only.

**EXAMPLE 3 — STARTUP DISPLAY SCREEN**

To access this display from the **ICVC default** screen:

1. Press **[MENU]**.
2. Press **[STATUS]**.
3. Scroll down to highlight **[STARTUP]**.
4. Press **[SELECT]**.

DESCRIPTION	STATUS	UNITS	POINT
<b>**Chilled Liquid Pump</b>	0-1	OFF/ON	CHLP
<b>Chilled Liquid Flow</b>	0-1	NO/YES	CHL_FLOW
<b>**Condenser Liquid Pump</b>	0-1	OFF/ON	CDP
<b>Condenser Liquid Flow</b>	0-1	NO/YES	CDL_FLOW
<b>Oil Pump Relay</b>	0-1	OFF/ON	OILR
<b>Oil Reclaim Output</b>	0-100.0	%(4 to 20mA)	OIL_MA
<b>**Oil Pressure Delta P</b>	-6.7-200	PSI (kPa)	OILPD
<b>Oil Sump Temp</b>	-40.0-245.0	° F (° C)	OILT
<b>Vaporizer Temp</b>	-40.0-245.0	° F (° C)	VAP_TEMP
<b>VFD Start</b>	0-1	NO/YES	VFDSTART
<b>Start Complete</b>	0-1	FALSE/TRUE	START_OK
<b>Stop Complete</b>	0-1	FALSE/TRUE	STOP_OK
<b>VFD Speed Output</b>	0.0-100.0	%	VFD_OUT
<b>Comp Motor RPM</b>	0-300000	RPM	CPR_RPM
<b>Comp Motor Frequency</b>	0-10000	Hz	VFD_FREQ
<b>Comp Maximum Speed</b>	0-101	Hz	MAXSPEED
<b>Comp Minimum Speed</b>	0-100	%	MINSPEED
<b>**Tower Fan Relay Low</b>	0-1	OFF/ON	TFR_LOW
<b>**Tower Fan Relay High</b>	0-1	OFF/ON	TFR_HIGH
<b>Spare Safety Input</b>	0-1	ALARM/NORMAL	SAFETY
<b>Shunt Trip Relay</b>	0-1	OFF/ON	TRIPR

NOTE: All variables with CAPITAL LETTER point names are available for CCN read operation. Those shown with (\*\*) shall support write operations for the ICVC only.

**Table 3 — ICVC Display Data (cont)**

**EXAMPLE 4 — COMPRESS DISPLAY SCREEN**

To access this display from the **ICVC default** screen:

1. Press **MENU**.
2. Press **STATUS**.
3. Scroll down to highlight **COMPRESS**.
4. Press **SELECT**.

DESCRIPTION	STATUS	UNITS	POINT
Actual VFD Speed	0-115	%	VFD_ACT
Compressor Motor RPM	0-300000	RPM	CPR_RPM
Compressor Motor Frequency	0-10000	Hz	VFD_FREQ
Compressor Maximum Speed	0-101	Hz	MAXSPEED
Compressor Minimum Speed	0-100	%	MINSPEED
VFD Delta	-2-2	%	VFDDELTA
**Target VFD Speed	0-100	%	VFD_TRG
VFD Speed Output	0-100	%	VFD_OUT
Oil Pump Relay	0/1	OFF/ON	OILR
**Oil Pressure Delta P	-6.7-420	PSI (kPa)	OILPD
Oil Sump Temp	-40-245	° F (° C)	OILT
Vaporizer Temperature	-40-245	° F (° C)	VAP_TEMP
Oil Heater Relay	0/1	OFF/ON	OILHEAT
Vaporizer Heater	0/1	OFF/ON	VAP_HEAT
Comp Motor Winding Temp	-40-245	° F (° C)	MTRW
Comp Discharge Temp	-40-245	° F (° C)	CMPD
Discharge Superheat	-20-999	^F (^C)	SUPRHEAT
Stall Protection Counts	0-5		SPC
Spare Temperature 1	-40-245	° F (° C)	SPARE_T1
Spare Temperature 2	-40-245	° F (° C)	SPARE_T2

NOTE: All variables with CAPITAL LETTER point names are available for CCN read operation; those with (\*\*) shall support write operations for ICVC only.

**EXAMPLE 5 — HEAT\_EX DISPLAY SCREEN**

To access this display from the **ICVC default** screen:

1. Press **MENU**.
2. Press **STATUS**.
3. Scroll down to highlight **HEAT\_EX**.
4. Press **SELECT**.

DESCRIPTION	STATUS	UNITS	POINT
**Chilled Liquid Delta P	-6.7-420	PSI (kPa)	CHLPD
Entering Chilled Liquid	-40-245	° F (° C)	ECL
Leaving Chilled Liquid	-40-245	° F (° C)	LCL
Chilled Liquid Delta T	-40-245	^F (^C)	CHL_DT
Chill Liq Pulldown/Min	-20-20	^F (^C)	CHL_PULL
Calc Evap Sat Temp	-40-245	° F (° C)	ERT
**Evaporator Pressure	-6.7-420	PSI (kPa)	ERP
Evap Refrig Liquid Temp	-40-245	° F (° C)	EST
Evaporator Approach	0-99	^F (^C)	EVAP_APP
**Condenser Liquid Delta P	-6.7-420	PSI (kPa)	CDLPD
Entering Cond Liquid	-40-245	° F (° C)	ECDL
Leaving Cond Liquid	-40-245	° F (° C)	LCDL
Condenser Refrig Temp	-40-245	° F (° C)	CRT
**Condenser Pressure	-6.7-420	PSI (kPa)	CRP
Condenser Approach	0-99	^F (^C)	COND_APP
Vaporizer Temp	-40-245	° F (° C)	VAP_TEMP
Reclaim Delta T	-500-500	^F (^C)	R_DELTA
Oil Reclaim Output	0-100	%	OIL_MA
VFD Coolant Flow	0-100	%	VFD_FOUT
Hot Gas Bypass Relay	0/1	OFF/ON	HGBYPASS
Active Delta P	0-200	PSI (kPa)	DP_A
Active Delta T	0-200	^F (^C)	DT_A
HGBP Delta T	0-200	^F (^C)	DT_C
Head Pressure Reference	0-100	%	HPR

NOTE: All variables with CAPITAL LETTER point names are available for CCN read operation; those with (\*\*) shall support write operations for ICVC only.



**Table 3 — ICVC Display Data (cont)**

**EXAMPLE 6 — POWER DISPLAY SCREEN**

To access this display from the **ICVC default** screen:

1. Press **MENU**.
2. Press **STATUS**.
3. Scroll down to highlight **POWER**.
4. Press **SELECT**.

DESCRIPTION	STATUS	UNITS	POINT
Percent Line Current	0-999	%	LNAMPS_P
Average Line Current	0-99999	AMPS	LNAMPS_A
Percent Line Voltage	0-999	%	LNVOLT_P
Average Line Voltage	0-99999	VOLTS	LNVOLT_A
Line Power Factor	0.0-2.0		LINE_PF
Line Kilowatts	0-99999	KW	LINE_KW
Percent Line Kilowatts	0-99999	%	LINEKW_P
Percent Load Current	0-99999	%	LDAMPS_P
Average Load Current	0-99999	AMPS	LDAMPS_A
Motor Power Factor	0.0-2.0		MOTOR_PF
Motor Kilowatts	0-99999	KW	MOTOR_KW
Percent Motor Kilowatts	0-99999	%	MOTORKWP
Motor Kilowatt-Hours	0-99999	KWH	MOTORKWH
Demand Kilowatts	0-99999	KW	DEM_KW
Line Current Phase 1 (R)	0-99999	AMPS	LN_AMPS1
Line Current Phase 2 (S)	0-99999	AMPS	LN_AMPS2
Line Current Phase 3 (T)	0-99999	AMPS	LN_AMPS3
Load Current Phase 1 (U)	0-99999	AMPS	LD_AMPS1
Load Current Phase 2 (V)	0-99999	AMPS	LD_AMPS2
Load Current Phase 3 (W)	0-99999	AMPS	LD_AMPS3
Line Voltage Phase 1 (RS)	0-99999	VOLTS	LN_VOLT1
Line Voltage Phase 2 (ST)	0-99999	VOLTS	LN_VOLT2
Line Voltage Phase 3 (TR)	0-99999	VOLTS	LN_VOLT3
Ground Fault Current	0-999	AMPS	GF_AMPS
Line Frequency	0-99	HZ	LINEFREQ
Rectifier Overload	0-100	%	RECT_OV
Inverter Overload	0-100	%	INV_OV
Motor Overload	0-100	%	MOTOR_OV
Line Current Imbalance	0-100	%	LN_IMB_I
Motor Current Imbalance	0-100	%	MT_IMB_I
Line Voltage Imbalance	0-100	%	LN_IMB_V
Line Active Current	0-99999	AMPS	AMPS_ACT
Line Reactive Current	0-99999	AMPS	AMPS_RE
Line Active Voltage	0-99999	VOLTS	VOLT_ACT
Line Reactive Voltage	0-99999	VOLTS	VOLT_RE
DC Bus Voltage Reference	0-99999	VOLTS	BUS_REF
DC Bus Voltage	0-99999	VOLTS	BUS_VOLT
Flux Current	0-99999	AMPS	FLUXAMPS
Torque Current	0-99999	AMPS	TORQAMPS
Inverter Temperature	0-300	° F (° C)	INV_TEMP
Rectifier Temperature	0-300	° F (° C)	REC_TEMP
VFD Enclosure Temperature	0-300	° F (° C)	VFD_ENCL
VFD Cold Plate Temperature	0-300	° F (° C)	CP_TEMP
Humidity Sensor Input	0.0-5.0	VOLTS	HUMID_SR
Relative Humidity	0-100	%	HUMIDITY
VFD Coolant Flow	0-100	%	VFD_FOUT
Actual VFD Speed	0-100	%	VFD_ACT
Comp Motor RPM	0-300000	RPM	CPR_RPM
Comp Motor Frequency	0-10000	Hz	VFD_FREQ
Comp Maximum Speed	0-101	Hz	MAXSPEED
Comp Minimum Speed	0-100	%	MINSPEED

NOTE: All variables with CAPITAL LETTER point names are available for CCN read operation.

### Table 3 — ICVC Display Data (cont)

#### EXAMPLE 7 — VFD

#### VFD\_STAT SCREEN

To access this display from the **ICVC default** screen:

1. Press **MENU**.
2. Press **STATUS**.
3. Scroll down to highlight **VFD\_STAT**.
4. Press **SELECT**.

DESCRIPTION	STATUS	UNITS	POINT
VFD Fault Code	0-272		VFD_FLT
Single Cycle Dropout	0-1	NORMAL/ALARM	CYCLE_1
Line Current Imbalance	0-1	NORMAL/ALARM	LINEIM_I
Line Voltage Imbalance	0-1	NORMAL/ALARM	LINEIM_V
Line Phase Reversal	0-1	NORMAL/ALARM	PH_REV
High Line Voltage	0-1	NORMAL/ALARM	HI_VOLT
Low Line Voltage	0-1	NORMAL/ALARM	LOW_VOLT
High DC Bus Voltage	0-1	NORMAL/ALARM	HI_DCBUS
Low DC Bus Voltage	0-1	NORMAL/ALARM	LO_DCBUS
Motor Current Imbalance	0-1	NORMAL/ALARM	MOTIM_I
Motor Overload	0-1	NORMAL/ALARM	MOTOR_OV
Rectifier Overcurrent	0-1	NORMAL/ALARM	RECT_OI
Rectifier Overtemp	0-1	NORMAL/ALARM	RECT_OT
Rectifier Power Fault	0-1	NORMAL/ALARM	RECT_PU
Inverter Overcurrent	0-1	NORMAL/ALARM	INV_OI
Inverter Overtemp	0-1	NORMAL/ALARM	INV_OT
Inverter Power Fault	0-1	NORMAL/ALARM	INV_PU
Ground Fault	0-1	NORMAL/ALARM	GRND_FLT
Frequency Fault	0-1	NORMAL/ALARM	FREQFLT
VFD Power on Reset	0-1	NORMAL/ALARM	VFD_POR
Start Complete	0-1	FALSE/TRUE	START_OK
Stop Complete	0-1	FALSE/TRUE	STOP_OK
Condenser High Pressure	0-1	NORMAL/ALARM	PRS_TRIP
Motor Amps Not Sensed	0-1	NORMAL/ALARM	NO_AMPS
Start Acceleration Fault	0-1	NORMAL/ALARM	ACCELFLT
Stop Fault	0-1	NORMAL/ALARM	AMPSTOP
VFD Start Inhibit	0-1	NORMAL/ALARM	STRT_INH
VFD Checksum Error	0-1	NORMAL/ALARM	CHECKSUM
VFD Comm Fault	0-1	NORMAL/ALARM	VFD_COMM
VFD Fault	0-1	NORMAL/ALARM	VFDFAULT
VFD Gateway Version #	0-255		VFG_VER
VFD Inverter Version #	0-1000		INV_VER
VFD Rectifier Version #	0-1000		REC_VER

NOTE: All variables with CAPITAL LETTER point names are available for CCN read operation.

#### EXAMPLE 8 — ICVC PWD

To access this display from the **ICVC default** screen:

1. Press **MENU**.
2. Press **STATUS**.
3. Scroll down to highlight **ICVC\_PWD**.

DESCRIPTION	STATUS	UNITS	POINT
Disable Service Password	0-1	DS/ENABLE	PSWD_DIS
**Remote Reset Option	0-1	DS/ENABLE	RESETOPT
Reset Alarm ?	0-1	NO/YES	REMRESET
CCN Mode ?	0-1	NO/YES	REM_CCN

NOTE: The Disable Service Password parameter supports the service tool password disable access. It will only allow forcing with the service tool for a one time bypass of both the service menu and the VFD config data table. Exit from the service menu reverts to normal password operation. Those with (\*\*) shall support write operations for ICVC only.

The Reset Alarm? and CCN mode? parameters support write operations from CCN and LEI devices when the Remote Reset Option is enabled.

### Table 3 — ICVC Display Data (cont)

#### EXAMPLE 9 — SETPOINT DISPLAY SCREEN

To access this display from the **ICVC default** screen:

1. Press **MENU**.
2. Press **SETPOINT** (Base Demand Limit will be highlighted).
3. Press **SELECT**.

DESCRIPTION	STATUS	UNITS	POINT	DEFAULT
Base Demand Limit	40-100	%	DLM	100
Control Point Source				
LCL Setpoint	10-60 F (-12.2-15.6 C)	° F (° C)	lcl_sp	50.0 F (10.0 C)
ECL Setpoint	15-65 F (-9.4-18.3 C)	° F (° C)	ecl_sp	60.0 F (15.6 C)
Ice Build Setpoint	15-60 F (-9.4-15.6 C)	° F (° C)	ice_sp	40 F (4.4 C)
Tower Fan High Setpoint	55-105 F (13-41 C)	° F (° C)	TFH_sp	75 F (23.9 C)

NOTE: No variables are available for CCN read operation; forcing shall not be supported on setpoint screens.

#### EXAMPLE 10 — CAPACITY DISPLAY SCREEN

To access this display from the **ICVC default** screen:

1. Press **MENU**.
2. Press **SERVICE**.
3. Scroll down to highlight **CONTROL ALGORITHM STATUS**.
4. Press **SELECT**.
5. Scroll down to highlight **CAPACITY**.

DESCRIPTION	STATUS	UNITS	POINT
Entering Chilled Liquid	-40-245	° F (° C)	ECL
Leaving Chilled Liquid	-40-245	° F (° C)	LCL
Capacity Control			
Control Point	10-65	° F (° C)	ctrlpt
Control Point Error	-99-99	^F (^C)	cperr
ECL Delta T	-99-99	^F (^C)	ecldt
ECL Reset	-99-99	^F (^C)	eclres
LCL Reset	-99-99	^F (^C)	lclres
Total Error + Resets	-99-99	^F (^C)	error
Cap Delta	-2-2	%	capdelta
VFD Delta	-2-2	%	vfdelta
Target VFD Speed	0-100	%	VFD_TRG
Actual VFD Speed	0-110	%	VFD_ACT
Comp Motor RPM	0-300000	RPM	CPR_RPM
Comp Motor Frequency	0-10000	Hz	VFD_FREQ
Comp Maximum Speed	0-101	Hz	MAXSPEED
Comp Minimum Speed	0-100	%	MINSPEED
VFD Speed Output	0-110	%	VFD_OUT
VFD Gain	0.1-1.5		vfd_gain
Demand Limit Inhibit	0.2-1	%	DEM_INH
Amps/kW Ramp	0-100	%	RAMP_LMT

NOTE: All variables with CAPITAL LETTER point names are available for CCN read operation; forcing shall not be supported on maintenance screens.

**Table 3 — ICVC Display Data (cont)**

**EXAMPLE 11 — OVERRIDE DISPLAY SCREEN**

To access this display from the **ICVC default** screen:

1. Press **[MENU]**.
2. Press **[SERVICE]**.
3. Scroll down to highlight **[CONTROL ALGORITHM STATUS]**.
4. Press **[SELECT]**.
5. Scroll down to highlight **[OVERRIDE]**.

DESCRIPTION	STATUS	UNITS	POINT
Comp Motor Winding Temp	-40-245	° F (°C)	MTRW
Comp Motor Temp Override	150-200	° F (°C)	MT_OVER
Condenser Pressure	-6.7-420	PSI (kPa)	CRP
Cond Press Override	150-260	PSI (kPa)	CP_OVER
Calc Evap Sat Temp	-40-245	° F (°C)	ERT
Evap Sat Override Temp	2-45	° F (°C)	ERT_OVER
Comp Discharge Temp	-40-245	° F (°C)	CMPD
Comp Discharge Alert	125-200	° F (°C)	CD_ALERT
Rectifier Temperature	0-300	° F (°C)	RECT_TEMP
Rectifier Temp Override	125-200	° F (°C)	REC_OVER
Inverter Temperature	0-300	° F (°C)	INV_TEMP
Inverter Temp Override	125-200	° F (°C)	INV_OVER
Discharge Superheat	-20-999	^F (^C)	SUPRHEAT
Condenser Refrig Temp	-40-245	° F (°C)	CRT

NOTE: All variables with CAPITAL LETTER point names are available for CCN read operation; forcing shall not be supported on maintenance screens.

**EXAMPLE 12 — LL\_MAINT DISPLAY SCREEN**

To access this display from the **ICVC default** screen:

1. Press **[MENU]**.
2. Press **[SERVICE]**.
3. Scroll down to highlight **[CONTROL ALGORITHM STATUS]**.
4. Press **[SELECT]**.
5. Scroll down to highlight **[LL\_MAINT]**.

DESCRIPTION	STATUS	UNITS	POINT
Lead Lag Control	NOTE 1		
LEADLAG: Configuration	NOTE 1		leadlag
Current Mode	NOTE 2		llmode
Load Balance Option	0/1	DSABLE/ENABLE	loadbal
LAG Start Time	0-60	MIN	lagstart
LAG Stop Time	0-60	MIN	lagstop
Prestart Fault Time	0-60	MIN	prefit
Pulldown Time	0.0-30.0	MIN	pulltime
Pulldown: Delta T/Min	XX.X	^F (^C)	pull_dt
Satisfied ?	0/1	NO/YES	pull_sat
LEAD CHILLER in Control	0/1	NO/YES	leadctrl
LAG CHILLER: Mode	NOTE 3		lagmode
Run Status	NOTE 4		lagstat
Start/Stop	NOTE 5		lag_s_s
Recovery Start Request	0/1	NO/YES	lag_rec
STANDBY CHILLER: Mode	NOTE 3		stdmode
Run Status	NOTE 4		stdstat
Start/Stop	NOTE 5		std_s_s
Recovery Start Request	0/1	NO/YES	std_rec
Spare Temperature 1	-40-245	° F (°C)	SPARE_T1
Spare Temperature 2	-40-245	° F (°C)	SPARE_T2

**NOTES:**

1. DISABLE, LEAD, LAG, STANDBY, INVALID
2. DISABLE, LEAD, LAG, STANDBY, RECOVERY, CONFIG
3. Reset, Off, Local, CCN, Blank
4. Timeout, Ready, Recycle, Prestart, Startup, Ramping, Running, Demand, Override, Shutdown, Trippout, Pumpdown, Lockout, 'Blank'
5. Stop, Start, Retain, 'Blank'
6. All variables with CAPITAL LETTER point names are available for CCN read operation; forcing shall not be supported on maintenance screens.

**Table 3 — ICVC Display Data (cont)**

**EXAMPLE 13 — VFD\_HIST DISPLAY SCREEN**

To access this display from the **ICVC default** screen:

1. Press **[MENU]**.
2. Press **[SERVICE]**.
3. Scroll down to highlight **[CONTROL ALGORITHM STATUS]**.
4. Press **[SELECT]**.
5. Scroll down to highlight **[VFD\_HIST]**.

DESCRIPTION	STATUS	UNITS	POINT
<b>VFD FAULT HISTORY</b>			
Values At Last Fault:			
Line Current Phase 1 (R)	0-99999	AMPS	LNAMPS1H
Line Current Phase 2 (S)	0-99999	AMPS	LNAMPS2H
Line Current Phase 3 (T)	0-99999	AMPS	LNAMPS3H
Load Current Phase 1 (U)	0-99999	AMPS	LDAMPS1H
Load Current Phase 2 (V)	0-99999	AMPS	LDAMPS2H
Load Current Phase 3 (W)	0-99999	AMPS	LDAMPS3H
Line Voltage Phase 1 (RS)	0-99999	VOLTS	LNVOLT1H
Line Voltage Phase 2 (ST)	0-99999	VOLTS	LNVOLT2H
Line Voltage Phase 3 (TR)	0-99999	VOLTS	LNVOLT3H
Ground Fault Current	0-999	AMPS	GF_AMPSH
Line Frequency	0-99	Hz	LINEFRQH
Line Power Factor	0-2.0		LINE_PFH
Line Current Imbalance	0-100	%	LN_IMBIH
Line Voltage Imbalance	0-100	%	LN_IMBVH
Motor Power Factor	0-2.0		MOTORPFH
Motor Current Imbalance	0-100	%	MT_IMBIH
Motor Overload	0-100	%	MOTOROVH
Line Active Current	0-99999	AMPS	AMPSACTH
Line Reactive Current	0-99999	AMPS	AMPS_REH
Line Active Voltage	0-99999	VOLTS	VOLTACTH
Line Reactive Voltage	0-99999	VOLTS	VOLT_REH
DC Bus Voltage	0-99999	VOLTS	BUSVOLTH
DC Bus Voltage Reference	0-99999	VOLTS	BUS_REFH
Flux Current	0-99999	AMPS	FLUXAMPH
Torque Current	0-99999	AMPS	TORQAMPH
Inverter Temperature	0-300	° F (°C)	INVTEMPH
Rectifier Temperature	0-300	° F (°C)	RECTEMPH
VFD Enclosure Temp	0-300	° F (°C)	VFDENCLH
VFD Cold Plate Temp	0-300	° F (°C)	CP_TEMP
Actual VFD Speed	0-100	%	VFD_ACTH
Comp Motor RPM	0-300000	RPM	CPR_RPMH
Comp Motor Frequency	0-10000	Hz	VDFREQH
Chiller Fault State	200-272		VFDSTATH
VFD Fault Code	200-272		VFD_FLTH

NOTE: All variables with CAPITAL LETTER point names are available for CCN read operation; forcing shall not be supported on maintenance screens.

**EXAMPLE 14 — LOADSHED DISPLAY SCREEN**

To access this display from the **ICVC default** screen:

1. Press **[MENU]**.
2. Press **[SERVICE]**.
3. Scroll down to highlight **[CONTROL ALGORITHM STATUS]**.
4. Press **[SELECT]**.
5. Scroll down to highlight **[LOADSHED]**.

DESCRIPTION	STATUS	UNITS	POINT
<b>LOADSHED FUNCTION</b>			
Redline	0-1	NO/YES	REDLINE
Loadshed	0-1	NO/YES	LOADSHED
Loadshed Timer	0-480		VFDTIME

NOTE: All variables with CAPITAL LETTER point names are available for CCN read operation; forcing shall not be supported on maintenance screens.

### Table 3 — ICVC Display Data (cont)

#### EXAMPLE 15 — WSMCHLRE DISPLAY SCREEN

To access this display from the **ICVC default** screen:

1. Press **[MENU]**.
2. Press **[SERVICE]**.
3. Scroll down to highlight **CONTROL ALGORITHM STATUS**.
4. Press **[SELECT]**.
5. Scroll down to highlight **WSMDEFME**.

DESCRIPTION	STATUS	UNITS	POINT
<b>WSM Active?</b>	0/1	NO/YES	WSMSTAT
<b>Chilled Water Temp</b>	0.0-99.9	° F (°C)	CHWTEMP
<b>Equipment Status</b>	0/1	OFF/ON	CHWRST
<b>Commanded State</b>		TEXT	CHWRENA
<b>CHW Setpoint Reset Value</b>	0.0-25.0	^ F (^C)	CHWRVAL
<b>Current CHW Set Point</b>	0.0-99.9	° F (°C)	CHWSTPT

NOTE: All variables with CAPITAL LETTER point names are available for CCN read operation; forcing shall not be supported on maintenance screens.

#### EXAMPLE 16 — NET\_OPT DISPLAY SCREEN

To access this display from the **ICVC default** screen:

1. Press **[MENU]**.
2. Press **[SERVICE]**.
3. Scroll down to highlight **EQUIPMENT CONFIGURATION**.
4. Press **[SELECT]**.
5. Scroll down to highlight **NET\_OPT**.

DESCRIPTION	STATUS	UNITS	POINT	DEFAULT
<b>Loadshed Function</b>				
<b>Group Number</b>	1-16		LDSGRPN	0
<b>Demand Limit Decrease</b>	0-60	%	LSDLTA	20
<b>Maximum Loadshed Time</b>	30-480	MIN	MAXSHED	120
<b>CCN Occupancy Config:</b>				
<b>Schedule Number</b>	3-99		OCC_NUM	3
<b>Broadcast Option</b>	0-1	DSABLE/ENABLE	OCCBRCS	DSABLE
<b>Alarm Configuration</b>				
<b>Re-Alarm Time</b>	0-1440	MIN	RETIME	30
<b>Alarm Routing</b>	0-1		ROUTING	1000000

NOTE: No variables are available for CCN read or write operation.

**Table 3 — ICVC Display Data (cont)**

**EXAMPLE 17 — VFD\_CONF DISPLAY SCREEN**

To access this display from the **ICVC default** screen:

1. Press **[MENU]**.
2. Press **[SERVICE]**.
3. Scroll down to highlight **VFD CONFIG DATA**.
4. Press **[SELECT]**.
5. Scroll down to highlight **VFD\_CONF**.

DESCRIPTION	STATUS	UNITS	POINT	DEFAULT
Motor Nameplate Voltage	480-480	VOLTS	motor_nv	480
Compressor 100% Speed	54-101	Hz	comp_100	70
* Rated Line Voltage	346-480	VOLTS	vfd_volt	460
* Rated Line Amps	10-5000	AMPS	vfd_amps	200
* Rated Line Kilowatts	0-999999	KW	vfd_rlkw	100
*Motor Rated Load KW	0-999999	KW	mot_rlkw	100
*Motor Rated Load Amps	10-5000	AMPS	mot_rla	200
Motor Nameplate Amps	10-5000	AMPS	motorni	100
Motor Nameplate RPM	1500-3030		motorpm	2672
Motor Nameplate kW	0-999999	KW	motorkw	100
Inverter PWM Frequency (0=4 kHz, 1=2 kHz)	0/1		pwm_freq	0
Skip Frequency 1	0-102	Hz	skipfrq1	102
Skip Frequency 2	0-102	Hz	skipfrq2	102
Skip Frequency 3	0-102	Hz	skipfrq3	102
Skip Frequency Band	0-102	Hz	skipband	0
Line Voltage % Imbalance	1-10	%	v_umbal	10
Line Voltage Imbal Time	1-10	SEC	v_time	10
Line Current % Imbalance	5-40	%	lineim_i	40
Line Current Imbal Time	1-10	SEC	lineim_t	10
Motor Current % Imbalance	5-40	%	motim_i	40
Motor Current Imbal Time	1-10	SEC	motim_t	10
Increase Ramp Time	5-60	SEC	ramp_inc	30
Decrease Ramp Time	5-60	SEC	ramp_dec	30
Single Cycle Dropout	0/1	DSABLE/ENABLE	cycdrop	DSABLE

NOTE: Those parameters marked with a \* shall not be downloaded to the VFD, but shall be used in other calculations and algorithms in the ICVC.

**EXAMPLE 18 — OPTIONS DISPLAY SCREEN**

To access this display from the **ICVC default** screen:

1. Press **[MENU]**.
2. Press **[SERVICE]**.
3. Scroll down to highlight **EQUIPMENT SERVICE**.
4. Press **[SELECT]**.
5. Scroll down to highlight **OPTIONS**.

DESCRIPTION	STATUS	UNITS	POINT	DEFAULT
Auto Restart Option	0/1	DSABLE/ENABLE	astart	DSABLE
Remote Contacts Option	0/1	DSABLE/ENABLE	r_contac	DSABLE
Soft Stop Amps Threshold	40-100	%	softstop	100
Hot Gas Bypass HGBP Option	0, 1, 2	0=DSABLE 1=HGBP 2=LOW LOAD HGBP	Srg_hgbp	DSABLE
Min. Load Point (T1,P1)				
HGBP Delta T1	0.5-20 (0.3-11.1)	^F (^C)	hgbp_dt1	1.5 (0.8)
HGBP Delta P1	10-170 (68.9-1172.2)	PSI (kPa)	hgbp_dp1	150 (1034.2)
Full Load Point (T2,P2)				
HGBP Delta T2	0.5-20 (0.3-11.1)	^F (^C)	hgbp_dt2	4 (2.2)
HGBP Delta P2	30-250 (206.9-1724)	PSI (kPa)	hgbp_dp2	200 (1379)
HGBP Deadband	0.5-3 (0.3-1.7)	^F (^C)	hgbp_db	1 (0.6)
HGBP On Delta T	0.5-10.0 (0.3-5.6)	^F (^C)	hgb_ton	2.0 (1.17)
HGBP Off Delta T	1.0-10.0 (0.6-5.6)	^F (^C)	hgb-toff	4.0 (2.2)
Stall Protection				
Stall Delta % Amps	5-20	%	stall_a	10
Stall Time Period	7-10	MIN	stall_t	8
Ice Build Control				
Ice Build Option	0/1	DSABLE/ENABLE	ibopt	DSABLE
Ice Build Termination (0=TEMP, 1=Contact, 2=Both)	0-2		ibterm	0
Ice Build Recycle	0/1	DSABLE/ENABLE	ibrecyc	DSABLE
Refrigerant Leak Option	0/1	DSABLE/ENABLE	LEAK_EN	DSABLE
PPM at 20mA	0-999999		PPM_20	1000
Refrig Leak Alarm PPM	0-999999		PPM_LIM	500
Head Pressure Reference				
Delta P at 0% (4mA)	20-85 (138-586)	PSI (kPa)	HPDP0	25 (172)
Delta P at 100% (20mA)	20-85 (138-586)	PSI (kPa)	HPDP100	50 (241)
Minimum Output	0-100	%	HPDPMIN%	0

NOTE: No variables are available for CCN read or write operation.

**Table 3 — ICVC Display Data (cont)**

**EXAMPLE 19 — SETUP1 DISPLAY SCREEN**

To access this display from the **ICVC default** screen:

1. Press **[MENU]**.
2. Press **[SERVICE]**.
3. Scroll down to highlight **[EQUIPMENT SERVICE]**.
4. Press **[SELECT]**.
5. Scroll down to highlight **[SETUP1]**.

DESCRIPTION	STATUS	UNITS	POINT	DEFAULT
<b>Comp Motor Temp Override</b>	150-200 (66-93)	° F (°C)	MT_OVER	200 (93)
<b>Cond Press Override</b>	145-166 (1000-1145)	PSI (kPa)	CP_OVER	145 (1000)
<b>Comp Discharge Alert</b>	125-160 (52-71)	° F (°C)	CD_ALERT	140 (60)
<b>Rectifier Temp Override</b>	155-170 (68-77)	° F (°C)	REC_OVER	160 (71)
<b>Inverter Temp Override</b>	155-170 (68-77)	° F (°C)	INV_OVER	160 (71)
<b>Chilled Medium</b>	0/1	WATER/BRINE	MEDIUM	WATER
<b>Chilled Liquid Deadband</b>	0.5-2.0 (0.3-1.1)	^F (^C)	CLDB	1.0 (0.6)
<b>Evap Refrig Trippoint</b>	10-40.0 (-12.2-4.4)	° F (°C)	ERT_TRIP	33 (0.6)
<b>Refrig Override Delta T</b>	2.0-5.0 (1.1-2.8)	^F (^C)	REF_OVER	3 (1.7)
<b>Evap Approach Alert</b>	0.5-15 (0.3-8.3)	^F (^C)	EVAP_AL	5 (2.8)
<b>Cond Approach Alert</b>	0.5-15 (0.3-8.3)	^F (^C)	CDAP_AL	6 (3.3)
<b>Condenser Freeze Point</b>	-20 -35 (-28.9-1.7)	° F (°C)	CDFREEZE	34 (1.1)
<b>Flow Delta P Display</b>	0/1	DS/ENABLE	FLOWDISP	DSABLE
<b>Evap Flow Delta P Cutout</b>	0.5 - 50.0 (3.45-344.7)	PSI (kPa)	EVAP_CUT	5.0 (34.5)
<b>Cond Flow Delta P Cutout</b>	0.5 - 50.0 (3.45-344.7)	PSI (kPa)	COND_CUT	5.0 (34.5)
<b>Oil Press Verify Time</b>	15-300	SEC	oilpr_t	45
<b>Liquid Flow Verify Time</b>	0.5-5	MIN	LFLOW_T	5
<b>Recycle Control</b>				
<b>Restart Delta T</b>	2.0-10.0 (1.1-5.6)	^F (^C)	rcycr_dt	5 (2.8)
<b>Shutdown Delta T</b>	0.5-4.0 (.28-2.2)	^F (^C)	rcycs_dt	1 (0.6)
<b>Spare Alert/Alarm Enable</b> Disable=0, Lo=1/3, Hi=2/4				
<b>Spare Temp #1 Enable</b>	0-4		sp1_en	0
<b>Spare Temp #1 Limit</b>	-40-245 (-40-118)	° F (°C)	sp1_lim	245 (118)
<b>Spare Temp #2 Enable</b>	0-4		sp2_en	0
<b>Spare Temp #2 Limit</b>	-40-245 (-40-118)	° F (°C)	sp2_lim	245 (118)

NOTE: No variables are available for CCN read or write operation; forcing shall not be supported on service screens.

**EXAMPLE 20 — SETUP2 DISPLAY SCREEN**

To access this display from the **ICVC default** screen:

1. Press **[MENU]**.
2. Press **[SERVICE]**.
3. Scroll down to highlight **[EQUIPMENT SERVICE]**.
4. Press **[SELECT]**.
5. Scroll down to highlight **[SETUP2]**.

DESCRIPTION	STATUS	UNITS	POINT	DEFAULT
<b>Capacity Control</b>				
<b>Proportional Inc Band</b>	2-10		vfd_inc	6.5
<b>Proportional Dec Band</b>	2-10		vfd_dec	6.0
<b>Proportional ECL Gain</b>	1-3		vfd_ecl	2
<b>VFD Speed Control</b>				
<b>VFD Gain</b>	0.1-1.5		vfd_gain	0.75
<b>VFD Minimum Speed</b>	15-50	%	vfd_min	20
<b>VFD Maximum Speed</b>	50-100	%	vfd_max	100
<b>Vaporizer Heater Mode</b>	0/1		vhtr_mode	0

NOTE: No variables are available for CCN read or write operation; forcing shall not be supported on service screens.



**Table 3 — ICVC Display Data (cont)**

**EXAMPLE 21 — LEAD/LAG DISPLAY SCREEN**

To access this display from the ICVC default screen:

1. Press **[MENU]**.
2. Press **[SERVICE]**.
3. Scroll down to highlight **[EQUIPMENT SERVICE]**.
4. Press **[SELECT]**.
5. Scroll down to highlight **[LEADLAG]**.

DESCRIPTION	STATUS	UNITS	POINT	DEFAULT
<b>Lead Lag Control</b>				
<b>LEAD/LAG Configuration</b>	0-3		leadlag	0
<b>DSABLE=0, Lead=1</b>				
<b>LAG=2, STANDBY=3</b>				
<b>Load Balance Option</b>	0/1	DSABLE/ENABLE	loadbal	DSABLE
<b>Common Sensor Option</b>	0/1	DSABLE/ENABLE	commsens	DSABLE
<b>LAG % Capacity</b>	25-75	%	lag_per	50
<b>LAG Address</b>	1-236		lag_add	92
<b>LAG START Timer</b>	2-60	MIN	lagstart	10
<b>LAG STOP Timer</b>	2-60	MIN	lagstop	10
<b>PRESTART FAULT Timer</b>	2-30	MIN	prefit	5
<b>PULLDOWN Timer</b>	1-30	MIN	pulldown	2
<b>STANDBY Chiller Option</b>	0/1	DSABLE/ENABLE	stnd_opt	DSABLE
<b>STANDBY % Capacity</b>	25-75	%	stnd_per	50
<b>STANDBY Address</b>	1-236		stnd_add	93

NOTE: No variables are available for CCN read or write operation.

**EXAMPLE 22 — RAMP\_DEM DISPLAY SCREEN**

To access this display from the ICVC default screen:

1. Press **[MENU]**.
2. Press **[SERVICE]**.
3. Scroll down to highlight **[EQUIPMENT SERVICE]**.
4. Press **[SELECT]**.
5. Scroll down to highlight **[RAMP\_DEM]**.

DESCRIPTION	STATUS	UNITS	POINT	DEFAULT
<b>Pulldown Ramp Type:</b>	0/1		ramp_opt	1
<b>Select: Temp=0, KW=1</b>				
<b>Demand Limit and kW Ramp</b>				
<b>Demand Limit Source</b>	0/1		dem_src	0
<b>Select: Amps=0, kW=1</b>				
<b>Amps or kW Ramp %/Min</b>	5-20	%	kw_ramp	10
<b>Demand Limit Prop Band</b>	3-15	%	dem_app	10
<b>Demand Limit At 20 mA</b>	40-100	%	dem_20ma	40
<b>20 mA Demand Limit Opt</b>	0/1	DSABLE/ENABLE	dem_sel	DSABLE
<b>Demand Watts Interval</b>	5-60	MIN	dw_int	15

NOTE: No variables are available for CCN read or write operation.

**EXAMPLE 23 — TEMP\_CTL DISPLAY SCREEN**

To access this display from the ICVC default screen:

1. Press **[MENU]**.
2. Press **[SERVICE]**.
3. Scroll down to highlight **[EQUIPMENT SERVICE]**.
4. Press **[SELECT]**.
5. Scroll down to highlight **[TEMP\_CTL]**.

DESCRIPTION	STATUS	UNITS	POINT	DEFAULT
<b>Control Point Source</b>				
<b>ECL Control Option</b>	0/1	DSABLE/ENABLE	ecl_opt	DSABLE
<b>Temp Pulldown Ramp/Min</b>	2-10 (1.1-5.6)	^F (^C)	tmp_ramp	3 (1.7)
<b>Temperature Reset</b>				
<b>RESET TYPE 1</b>				
<b>Degrees Reset At 20 mA</b>	-30-30 (-17-17)	^F (^C)	deg_20ma	10 (6)
<b>RESET TYPE 2</b>				
<b>Remote Temp -&gt; No Reset</b>	-40-245 (-40-118)	° F (°C)	res_rt1	85 (29)
<b>Remote Temp -&gt; Full Reset</b>	-40-245 (-40-118)	° F (°C)	res_rt2	65 (18)
<b>Degrees Reset</b>	-30-30 (-17-17)	^F (^C)	deg_rt	10 (6)
<b>RESET TYPE 3</b>				
<b>CHL Delta T -&gt; No Reset</b>	0-15 (0-8)	^F (^C)	restd_1	10 (6)
<b>CHL Delta T -&gt; Full Reset</b>	0-15 (0-8)	^F (^C)	restd_2	0 (0)
<b>Degrees Reset</b>	-30-30 (-17-17)	^F (^C)	deg_res	5 (3)
<b>Enable Reset Type</b>	0-3		res_sel	0

## PIC III System Functions

NOTE: Words not part of paragraph headings and printed in all capital letters can be viewed on the ICVC (e.g., LOCAL, CCN, RUNNING, ALARM, etc.) Words printed in both all capital letters and italics can also be viewed on the ICVC and are parameters (*CONTROL MODE ADDED EXAMPLES*, etc.) with associated values (e.g., modes, temperatures, pressures, percentages, on, off, enable, disable, etc.). Words printed in all capital letters and in a box represent softkeys on the ICVC (e.g., **ENTER** and **EXIT**). See Table 3 for examples of the type of information that can appear on the ICVC screens. Figures 15-21 give an overview of ICVC operations and menus. The sequence of screens that should be selected to view any parameter in the ICVC can be found in Appendix A.

**CAPACITY CONTROL** — The PIC III controls the chiller capacity by changing the compressor speed in response to chilled liquid temperature deviation away from the *CONTROL POINT*. The *CONTROL POINT* may be changed by a CCN network device or is calculated by the PIC III adding any active chilled liquid reset to the *ECL* or *LCL SET POINT*. The *CONTROL POINT* may be viewed or overridden from the MAINSTAT screen. See page 23.

Changes to the chiller capacity and system overrides are achieved through the VFD SPEED OUTPUT.

The VFD SPEED OUTPUT is controlled by varying the output from 0 to 100%. The TARGET VFD SPEED is forcible and allows the operator manual control of the VFD SPEED OUTPUT. The TARGET VFD SPEED will be allowed to change every five seconds unless TARGET VFD SPEED is forced.

The TARGET VFD SPEED is controlled between the VFD MINIMUM SPEED and VFD MAXIMUM SPEED (refer to SETUP2 screen) based on the Capacity Control algorithm. The PIC III controls monitor the compressor oil properties and set a COMPRESSOR MINIMUM SPEED to ensure sufficient compressor bearing lubrication under all operating conditions. The TARGET VFD SPEED shall not be allowed to be forced below the COMP MINIMUM SPEED. A summary of all capacity control conditions and responses is shown in Table 4.

Changes to the VFD SPEED are implemented by the following methods:

**FORCED** — The TARGET VFD SPEED can be forced from the ICVC. The TARGET VFD SPEED is set to the forced value and remains there until the force is removed or the chiller is shut down. The forced value is limited between the VFD MINIMUM SPEED and VFD MAXIMUM SPEED.

**NORMAL CONDITIONS** — VFD speed changes are based on the calculated change in VFD DELTA multiplied by the VFD GAIN. VFD DELTA is displayed in the COMPRESS screen. The VFD GAIN increases or decreases the commanded VFD speed change with respect to the VFD DELTA calculated by the ICVC.

**CAPACITY INCREASE** — If the TARGET VFD SPEED is less than the VFD MAXIMUM SPEED, the TARGET VFD SPEED is increased by the VFD DELTA times the VFD GAIN.

**CAPACITY DECREASE** — If the TARGET VFD SPEED is greater than the VFD MINIMUM SPEED, the TARGET VFD SPEED is decreased by the VFD DELTA times the VFD GAIN.

**Table 4 — Capacity Control Conditions**

Capacity DELTA	TARGET VFD Forced	VFD Speed = Min.	VFD Speed = Max	VFD SPEED CHANGE
Increase	X			TARGET VFD = Forced Value
Decrease	X			TARGET VFD = Forced Value
Increase				TARGET VFD = TARGET VFD + (VFD Delta * VFD Gain)
Increase			X	No Change
Decrease		X		No Change
Decrease				TARGET VFD = TARGET VFD + (VFD Delta * VFD Gain)

- VFD DELTA less than 0.2% will not cause the VFD SPEED OUTPUT to increase or decrease.
- If the Capacity Decrease is in effect due to an override then the VFD SPEED OUTPUT decreases at a rate of 2.0% per 5 seconds until the decrease condition is satisfied. This will occur regardless of VFD DELTA value.
- A VFD SPEED OUT OF RANGE fault will be declared if the ACTUAL VFD SPEED exceeds the VFD SPEED OUTPUT  $\pm 10\%$  for 75 seconds when the chiller is running.
- A COMP MIN SPEED LIMITED RUN CAPACITY OVERRIDE alert will be declared when the TARGET VFD SPEED is being limited by the COMPRESSOR MINIMUM SPEED.

**ECL CONTROL OPTION** — If this option is enabled, the PIC III modulates the compressor speed in response to the entering chilled liquid temperature instead of the *LEAVING CHILLED LIQUID* temperature. The *ECL CONTROL OPTION* may be viewed on the TEMP\_CTL screen, which is accessed from the EQUIPMENT SERVICE screen.

**CHILLED LIQUID DEADBAND** — This is the tolerance range on the chilled liquid/brine temperature control point. If the liquid temperature goes outside the *CHILLED LIQUID DEADBAND*, the PIC III increases or decreases compressor speed until the temperature is within tolerance. The PIC III may be configured with a 0.5 to 2 F (0.3 to 1.1 C) deadband. *CHILLED LIQUID DEADBAND* may be viewed or modified on the SETUP1 screen, which is accessed from the EQUIPMENT SERVICE table.

Example: A 1° F (0.6° C) CHILLED LIQUID DEADBAND setting controls the liquid temperature within  $\pm 0.5^\circ$  F (0.3° C) of the *CONTROL POINT*. This may cause frequent changes in compressor speed if the cooling load fluctuates frequently. A value of 1° F (0.6° C) is the default setting.

**PROPORTIONAL BANDS AND PROPORTIONAL GAIN** — The PIC III uses the *PROPORTIONAL INC (Increase) BAND*, *PROPORTIONAL DEC (Decrease) BAND*, and the *PROPORTIONAL ECL (Entering Chilled Liquid) GAIN* to determine how fast or slow to respond. Proportional band is the rate at which the compressor speed is changed in proportion to how far the chilled liquid/brine temperature is from the *CONTROL POINT*. Proportional gain determines how quickly the VFD reacts to how quickly the temperature is deviating from the *CONTROL POINT*. The proportional bands and proportional gain may be viewed or modified from the SETUP2 screen, which is accessed from the EQUIPMENT SERVICE table.

**The Proportional Band** — The PIC III controls can be configured to respond differently to temperature deviations above the control point and to temperature deviations below the control point.

The PIC III controls response to temperatures above the control point is affected by the *PROPORTIONAL INC BAND*. This parameter will slow or quicken the rate at which the compressor speed is changed in response to chilled liquid/brine temperatures above the control point plus 1/2 times the *CHILLED LIQUID DEADBAND*. The *PROPORTIONAL INC BAND* can be adjusted from a setting of 2 to 10; the default setting is 6.5. A smaller value of *PROPORTIONAL INC BAND* will increase the rate at which the compressor speed is increased.

The response below the control point is called the *PROPORTIONAL DEC BAND*, this parameter will slow or quicken the rate at which the compressor speed is changed in response to chilled liquid temperatures below the CONTROL POINT minus 1/2 times the *CHILLED LIQUID DEAD BAND*. The *PROPORTIONAL DEC BAND* can be adjusted on the ICVC from a setting of 2 to 10. The default setting is 6.0. A smaller value of *PROPORTIONAL DEC BAND* will increase the rate at which the compressor speed is decreased.

The *PROPORTIONAL ECL GAIN* changes the amount the compressor speed is changed each time the PIC III controls command an adjustment. The *PROPORTIONAL ECL GAIN* can be adjusted from 1 to 3. A larger value of *PROPORTIONAL ECL GAIN* will increase the amount the compressor speed changes each time the controls call for a change.

**DEMAND LIMITING** — The PIC III responds to the *ACTIVE DEMAND LIMIT* set point by limiting the amps or kilowatts consumed by the chiller. It compares the *ACTIVE DEMAND LIMIT* set point to the *DEMAND LIMIT SOURCE* (either the actual *AVERAGE LINE CURRENT* or the actual *MOTOR KW*), depending on how the control is configured. *DEMAND LIMIT SOURCE* is on the RAMP DEM screen. The default *DEMAND LIMIT SOURCE* is the compressor motor amps.

**CHILLER TIMERS** — The PIC III maintains 2 runtime clocks, known as *COMPRESSOR ONTIME* and *SERVICE ONTIME*. *COMPRESSOR ONTIME* indicates the total life-time compressor run hours. This timer can register up to 500,000 hours before the clock turns back to zero. The *SERVICE ONTIME* is a resettable timer that can be used to indicate the hours since the last service visit or any other event. The time can be changed from the ICVC to whatever value is desired. The *SERVICE ONTIME* timer can register up to 32,767 hours before it rolls over to zero.

The chiller also maintains a start-to-start timer and a stop-to-start timer. These timers limit how soon the chiller can be started. *START INHIBIT TIMER* is displayed on the MAIN-STAT screen. See the Start-Up/Shutdown/Recycle Sequence section, page 46, for more information on this topic.

**OCCUPANCY SCHEDULE** — The chiller schedule, described in the Time Schedule Operation section (page 21), determines when the chiller can run. Each schedule consists of from 1 to 8 occupied or unoccupied time periods, set by the operator. The chiller can be started and run during an occupied time period (when YES is displayed next to *OCCUPIED?* on the MAINSTAT display screen). It cannot be started or run during an unoccupied time period (when NO is displayed next to *OCCUPIED ?* on the MAINSTAT display screen). These time periods can be set for each day of the week and for holidays. The day begins with 0000 hours and ends with 2400 hours. When any occupancy schedule is in a time period when the chiller is allowed to run, the parameter *OCCUPIED?* is YES.

These schedules can be set up to follow a building's occupancy schedule, or can be set to be occupied 100% of the time, if the operator wishes. In this case, the chiller is normally started and stopped manually using the CCN, LOCAL, and STOP buttons. The schedules also can be bypassed by forcing the *CHILLER START/STOP* parameter on the MAINSTAT screen

to START. For more information on forced starts, see Local Start-Up, page 46.

The schedules also can be overridden to keep the chiller in an occupied state for up to 4 hours, on a one time basis. See the Time Schedule Operation section, page 21.

Figure 20 shows a schedule for a typical office building with a 3-hour, off-peak, cool-down period from midnight to 3 a.m., following a weekend shutdown. Holiday periods are in an unoccupied state 24 hours per day. The building operates Monday through Friday, 7:00 a.m. to 6:00 p.m., and Saturdays from 6:00 a.m. to 1:00 p.m. This schedule also includes the Monday midnight to 3:00 a.m. weekend cool-down schedule.

NOTE: This schedule is for illustration only and is not intended to be a recommended schedule for chiller operation.

Whenever the chiller is in the LOCAL mode, it uses Occupancy Schedule 01 (OCCPC01S). The chiller uses Occupancy Schedule 02 (OCCPC02S) when it is in ICE BUILD mode. When the chiller is in CCN mode, it uses Occupancy Schedule 03 (OCCPC03S).

The *CCN SCHEDULE NUMBER* is configured on the NET OPT display screen, accessed from the EQUIPMENT CONFIGURATION table. See Table 3, Example 16. *SCHEDULE NUMBER* can be changed to any value from 03 to 99. If this number is changed on the NET OPT screen, the operator must go to the ATTACH TO NETWORK DEVICE screen to upload the new number into the SCHEDULE screen. See Fig. 19.

**Safety Controls** — The PIC III monitors all safety control inputs and, if required, shuts down the chiller or limits the compressor speed to protect the chiller from possible damage from any of the following conditions:

- high motor winding temperature
- high discharge temperature
- low oil pressure
- low evaporator refrigerant temperature
- condenser high pressure or low pressure
- inadequate liquid/brine cooler and condenser flow
- high, low, or loss of voltage
- ground fault
- voltage imbalance
- current imbalance
- excessive motor acceleration time
- lack of motor current signal
- excessive motor amps
- motor stall
- temperature sensor and transducer faults
- VFD power faults
- VFD over temperature
- humidity surrounding the VFD coldplate
- reverse compressor rotation

VFD faults or protective devices within the VFD can shut down the chiller.

### ⚠ CAUTION

If compressor motor overload or a motor ground fault occurs, check the motor for grounded or open phases before attempting a restart.

If the PIC III control initiates a safety shutdown, it displays the reason for the shutdown (the fault code) on the ICVC display screen along with a primary and secondary message, and blinks the alarm light on the control center. The alarm is stored in memory and can be viewed on the ALARM HISTORY and VFD HIST screens on the ICVC, along with a message for troubleshooting. If the safety shutdown was also initiated by a fault detected in the VFD, the conditions at the time of the fault will be stored in VFD\_HIST.

To give more precise information or warnings on the chiller's operating condition, the operator can define alert limits on various monitored inputs in the SETUP1 screen. Safety contact and alert limits are defined in Table 5. Alarm and alert messages are listed in the Troubleshooting Guide section, page 81.

**Shunt Trip** — The function of the shunt trip on the PIC III is to act as a safety trip. The shunt trip is wired from the standard I/O board to a shunt trip equipped VFD circuit breaker. If the PIC III tries to shut down the compressor using a normal shutdown procedure but is unsuccessful for 20 seconds, the shunt trip output is energized and causes the circuit breaker to trip off. The ground fault trip also will energize the shunt trip to trip the circuit breaker. Protective devices in the VFD can also energize the shunt trip. The shunt trip feature can be tested using the Control Test feature in the DISCRETE OUTPUTS CONTROL TEST screen. Reset the circuit breaker immediately after performing this test.

**Default Screen Freeze** — When the chiller is in an alarm state, the default ICVC display “freezes,” that is, it stops updating. The first line of the ICVC default screen displays a primary alarm message; the second line displays a secondary alarm message.

The ICVC default screen freezes to enable the operator to see the conditions of the chiller *at the time of the alarm*. If the value in alarm is one normally displayed on the default screen, the value flashes between normal and reverse contrast. The ICVC default screen remains frozen until the condition that caused the alarm is remedied by the operator.

Knowledge of the operating state of the chiller at the time an alarm occurs is useful when troubleshooting. Additional chiller information can be viewed on the status screens and the VFD\_HIST screen. Troubleshooting information is recorded in the ALARM HISTORY table, which can be accessed from the SERVICE menu.

To determine what caused the alarm, the operator should read both the primary and secondary default screen messages, as well as the alarm history. The primary message indicates the most recent alarm condition. The secondary message gives more detail on the alarm condition. Since there may be more than one alarm condition, another alarm message may appear after the first condition is cleared. Check the ALARM HISTORY screen for additional help in determining the reasons for the alarms. Once all existing alarms are cleared (by pressing the **RESET** softkey), the default ICVC display returns to normal operation.

**Ramp Loading** — The ramp loading feature controls the rate at which the compressor loads up. This control can prevent the compressor from loading up too fast during the short period of time when the chiller is started and the chilled liquid loop has to be brought down to the *CONTROL POINT*. This helps reduce electrical demand charges by slowly bringing the chilled liquid to the *CONTROL POINT*.

There are two methods of ramp loading with the PIC III. Ramp loading can be based on chilled liquid temperature or on motor load. The method of ramp loading is selected from the RAMP\_DEM screen.

1. **Temperature ramp loading** (*TEMP PULLDOWN DEG/MIN*) limits the degrees per minute rate at which either the leaving chilled liquid or the entering chilled liquid temperature decreases. This rate is configured by the operator on the TEMP\_CTL screen. The lowest temperature ramp rate will be used if chiller power has been off for 3 hours or more (even if the motor kilowatts ramp loading is selected as the ramp loading method).

2. **Motor load ramp loading** (*AMPS OR KW RAMP %/MIN*) limits the percent per minute rate at which the compressor motor current or compressor motor load increases. The *AMPS OR KW RAMP %/MIN* rate is configured by the operator on the RAMP\_DEM screen in amps or kilowatts.

If kilowatts is selected for the *DEMAND LIMIT SOURCE*, the *MOTOR RATED LOAD KILOWATTS* must be entered (information found on the machine Electrical Data Nameplate) in the VFD\_CONF screen.

The *TEMP PULLDOWN DEG/MIN* may be viewed or modified on the TEMP\_CTL screen which is accessed from the EQUIPMENT SERVICE screen. *PULLDOWN RAMP TYPE*, *DEMAND LIMIT SOURCE*, and *MOTOR KW RAMP %/MIN* may be viewed or modified on the RAMP\_DEM screen.

**Capacity Override (Table 6)** — Adjustable capacity overrides are available to prevent the chiller from exceeding some limits and going into an alarm state. Alert messages 120 through 127 are displayed on the ICVC when capacity overrides are in effect. Capacity overrides can prevent some safety shutdowns caused by exceeding the refrigerant low temperature safety limit, motor high temperature safety limit, and condenser high pressure limit, high VFD inverter rectifier temperature limit, and high VFD inverter temperature limit.

**Compressor Minimum Speed Override** — This capacity override increases compressor speed if oil viscosity falls below acceptable levels or if conditions exist that will prevent sufficient refrigerant cooling to the VFD or motor. This override is not configurable, it is the only override that will increase chiller capacity to avoid a safety shutdown. Compressor minimum speed override is most likely to happen at evaporator temperatures of 50 degrees or more, combined with low speed, low lift, and less than 25% tons.

The PIC III controls regulate the minimum allowable compressor speed based on oil sump temperature and pressure and on compressor head. The compressor bearings require higher oil viscosity when operating at low speed than they do when operating at high speeds. The controls increase compressor speed when the oil viscosity is too low to operate the compressor at the lower speed. The low compressor speed override is also enabled at low loads with high condensing pressure.

**Vaporizer Temperature Control COMPRESSOR ON** — The vaporizer temperature control is regulated by the PIC III using the vaporizer heater relay and a flexible surface heater that is attached to the bottom of the vaporizer. The vaporizer heater relay is energized whenever the compressor is at low loads and requires additional heat to maintain a sufficient vaporizer temperature. The vaporizer heater is turned off when the additional heat is no longer required. The vaporizer heater is not energized when the chiller is not running.

**Oil Sump Temperature Control COMPRESSOR OFF** — The OIL SUMP TEMP is regulated by the PIC III using the oil heater relay and an immersion heater in the oil sump. The oil heater relay is energized whenever the chiller compressor is off, and the OIL SUMP TEMP is less than 140 F (60 C) or whenever the OIL SUMP TEMP is less than the CALC EVAP SAT TEMP plus 53 F (29.4 C). The oil heater is then turned off when the OIL SUMP TEMP is:

1. More than 152 F (66.7 C) or
2. The OIL SUMP TEMP is more than 142 F (61.1 C) and also warmer than the CALC EVAP SAT TEMP plus 55 F (30.6 C).

**Table 5 — Protective Safety Limits and Control Settings**

MONITORED PARAMETER	ALARM OR ALERT STATE	LIMIT	COMMENTS
Temperature Sensors Out of Range	260-271, 140,141	-40 deg F > Temperature > 245 deg F for 3 seconds	Preset Alarm. See Temperature vs. Resistance/Voltage Drop in Table 13A and 13B
Pressure Transducers Out of Range	262-272	0.06 > Voltage Ratio > 0.98 for 3 seconds	Preset Alarm Voltage Ratio = Input Voltage / Voltage Reference (5 Volts)
High Compressor Discharge Temperature	231 162 103	COMP DISCHARGE TEMP > 180 deg F (82 deg C) COMP DISCHARGE TEMP > COMP DISCHARGE ALERT COMP DISCHARGE TEMP > COMP DISCHARGE ALERT - 10 deg F (5.6 deg C)	Preset Alarm, Configure DISCH TEMP ALERT in SETUP1 screen Configure COMP DISCH ALERT in SETUP1 screen Prestart Alert, Configure COMP DISCHARGE ALERT in SETUP1 screen
High Motor Temperature	233 102	COMP MOTOR WINDING TEMP > 244 deg F (118 deg C) or < -5 deg F (-21 deg C) — Open Circuit COMP MOTOR WINDING TEMP > COMP MOTOR TEMP OVERRIDE - 10 deg F (5.6 deg C)	Preset Alarm Prestart Alert, Configure COMP MOTOR TEMP OVERRIDE in SETUP1 screen
Low Evaporator Temperature (Freeze Protection)	243 232 104	Chiller in RECYCLE SHUTDOWN and CALC EVAP SAT TEMP or EVAP REFRIG LIQUID TEMP < EVAP REFRIG TRIPPOINT + 1 deg F For water: EVAP REFRIG LIQUID TEMP or CALC EVAP SAT TEMP < 33 deg F and EVAPORATOR APPROACH < EVAP APPROACH ALERT For brine: EVAP REFRIG LIQUID TEMP or CALC EVAP SAT TEMP is between 0 deg F (-17.8C) and 40 deg F (4.4C) (brine) and EVAPORATOR APPROACH < EVAP APPROACH ALERT CALC EVAP SAT TEMP < 33 deg F + REFRIG OVERRIDE DELTA T (non-brine) CALC EVAP SAT TEMP < EVAP REFRIG TRIPPOINT (brine) + REFRIG OVERRIDE DELTA T	Preset Alarm, Configure EVAP REFRIG TRIPPOINT in SETUP1 screen Preset Alarm, Configure EVAP APPROACH ALERT in SETUP1 screen Configure EVAP APPROACH ALERT and CHILLED MEDIUM in SETUP1 screen Prestart Alert, Configure REFRIG OVERRIDE DELTA T in SETUP1 screen Prestart Alert, Configure EVAP REFRIG TRIP POINT and CHILLED MEDIUM in SETUP1 screen
Transducer Voltage Fault	239	TRANSDUCER VOLTAGE REF < 4.5 VDC	Preset Alarm
High Condenser Pressure - Control - Switch - Prestart	235 207 106	CONDENSER PRESSURE > 166 PSI High Pressure Switch Open (165 +/- 5 PSIG) & VFD START = YES CONDENSER PRESSURE > COND PRESS OVERRIDE - 25 PSI	Preset Alarm Preset Alarm, Switch closes at 110 +/- 7 PSIG Prestart Alert, Configure COND PRESS OVERRIDE in SETUP1 screen
Low Condenser Pressure (Freeze Protection)	244 154	Chiller in PUMPDOWN mode and CONDENSER REFRIG TEMP < CONDENSER FREEZE POINT Energizes condenser pump relay if CONDENSER REFRIG TEMP < CONDENSER FREEZE POINT. De-energizes condenser pump relay when CONDENSER REFRIG TEMP > CONDENSER FREEZE POINT + 5 deg F (2.8 deg C) and ENTERING COND LIQUID > CONDENSER FREEZE POINT	Preset Alarm, Configure CONDENSER FREEZE POINT in SETUP1 screen. Configure CONDENSER FREEZE POINT in SETUP1 screen
Oil - Low Pressure - Low Pressure - Low Pressure - High Oil Pressure - Pressure Sensor Fault - Low Temperature	234 228 142 164 227 105	OIL PRESSURE DELTA P < 18 PSID after OIL PUMP = ON, OIL PRESS VERIFY TIME exceeded, and STARTUP in progress OIL PRESSURE DELTA P < 15 PSID and VFD START = TRUE OIL PRESSURE DELTA P < 15 PSID and VFD START = TRUE Oil Pump ON and OIL PRESSURE DELTA P > 45 PSI OIL PRESSURE DELTA P > 4 PSI immediately before oil pump turned on OIL SUMP TEMP < 140 deg F and OIL SUMP TEMP < CALC EVAP SAT TEMP + 15 deg F (8.3 deg C)	Preset Alarm, Configure OIL PRESS VERIFY TIME in SETUP1 screen Preset Alarm, condition must persist for 55 consecutive seconds Preset Alarm, condition must persist for 10 consecutive seconds Preset Alarm, condition must persist for 55 consecutive seconds Preset Alarm Preset Prestart Alert
Line Voltage - High - High - Low - Low - Imbalance	211/145 108 212/146 107 216	Line voltage > limits are calculated by VFD (alert is declared if AUTORESTART is ENABLED) PERCENT LINE VOLTAGE > 115% Line voltage < limits calculated by VFD (alert is declared if AUTORESTART is ENABLED) PERCENT LINE VOLTAGE < 95% LINE VOLTAGE IMBALANCE > LINE VOLTAGE % IMBALANCE	Preset Alarm/Autorestart Alert Preset Prestart Alert Preset Alarm/Autorestart Alert Preset Prestart Alert Configure LINE VOLTAGE % IMBALANCE and LINE VOLT IMBALANCE TIME in VFD_CONF screen
Line Current - Dropout - Imbalance	210/144 209/143	Line Voltage on 2 Phases < 50% for 1 Cycle LINE CURRENT IMBALANCE > LINE CURRENT % IMBALANCE	Preset Alarm/Autorestart Alert Configure LINE CURRENT % IMBALANCE and LINE CURRENT IMBALANCE TIME in VFD_CONF screen
Power - Line Frequency Trip - Power Loss - Phase Reversal	222 214/148 226	47 Hz < LINE FREQUENCY < 63 Hz DC BUS VOLTAGE < 85% for Excessive Time Period Line power phases out of sequence	Preset Alarm Preset Alarm/Autorestart Alert Preset Alarm
Motor - Stall - Current Imbalance - Rotation Reversed - Overload Trip - Excessive Amps - Acceleration Fault - Amps not Sensed - Starts Limit Exceeded	238 225 221 217 208 203 202 100	> 5 stall events within STALL TIME PERIOD MOTOR CURRENT IMBALANCE > MOTOR CURRENT % IMBALANCE DISCHARGE PRESSURE decreases more than 2 PSI after VFD START = TRUE Any LOAD CURRENT PHASE > 108% for Excessive Time Period PERCENT LOAD CURRENT > 110% for 30 sec. PERCENT LOAD CURRENT > 95% at startup and VFD START = TRUE for 5 to 40 sec PERCENT LOAD CURRENT < 5% and VFD START = TRUE for 20 sec More than 8 starts in 12 hours	Preset Alarm, Configure STALL DELTA% AMPS and STALL TIME PERIOD in OPTIONS screen Configure MOTOR CURRENT % IMBALANCE and MOTOR CURRENT IMBAL TIME in VFD_CONF screen Preset Alarm, Must be outside -2 PSI limit for 5 consecutive samples Preset Alarm, Configure MOTOR LOAD ACTIVE DEMAND LIMIT in MAINSTAT screen Preset Alarm Preset Alarm, PERCENT LOAD CURRENT = AVERAGE LOAD CURRENT/MOTOR RATED LOAD AMPS Preset Alarm, PERCENT LOAD CURRENT = AVERAGE LOAD CURRENT/MOTOR RATED LOAD AMPS Preset Prestart Alert
Low Chilled Liquid Flow	229	CHILLED LIQUID FLOW = FALSE after CHILLED LIQUID PUMP = ON & LIQUID FLOW VERIFY TIME elapsed, CHILLED LIQUID DELTA P < EVAP FLOW DELTA P CUTOUT or CALC EVAP SAT TEMP < EVAP REFRIG TRIPPOINT or EVAPORATOR APPROACH > EVAP APPROACH ALERT and EVAP REFRIG LIQUID TEMP < EVAP REFRIG TRIPPOINT + 1	Configurable Alarm, Configure LIQUID FLOW VERIFY TIME in SETUP1 screen. EVAPORATOR APPROACH = LEAVING CHILLED LIQUID TEMP - EVAP REFRIG LIQUID TEMP
Low Cond Liquid Flow	230	COND LIQUID FLOW = FALSE after COND LIQUID PUMP = ON & LIQUID FLOW VERIFY TIME elapsed, CONDENSER LIQUID DELTA P < COND FLOW DELTA P CUTOUT or CONDENSER APPROACH > CONDENSER APPROACH ALERT, or CONDENSER PRESSURE > COND PRESS OVERRIDE + 5	Configurable Alarm, Configure LIQUID FLOW VERIFY TIME in SETUP1 screen. CONDENSER APPROACH = CONDENSER REFRIG TEMP - LEAVING COND LIQUID TEMP
High Approach-Evaporator - Condenser	160 161	EVAPORATOR APPROACH > EVAP APPROACH ALERT and VFD START = TRUE CONDENSER APPROACH > COND APPROACH ALERT and VFD START = TRUE	Configure EVAP APPROACH ALERT in SETUP1 screen EVAPORATOR APPROACH = LEAVING CHILLED LIQUID TEMP - EVAP REFRIG LIQUID TEMP Configure COND APPROACH ALERT in SETUP1 screen.
VFD - Speed Out of Range - Failure to Stop - Communication Failure	245 204 224	ACTUAL VFD SPEED < VFD SPEED OUTPUT - 10% or ACTUAL VFD SPEED > VFD SPEED OUTPUT + 10% PERCENT LOAD CURRENT > 15% and VFD START = NO for 20 sec Communication with VFD lost for more than 10 sec	Preset Alarm, Must be outside +/- 10% range for 75 sec. Preset Alarm, PERCENT LOAD CURRENT = AVERAGE LOAD CURRENT/MOTOR RATED LOAD AMPS Preset Alarm
Rectifier - Overcurrent - High Temperature	241 218 101	RECTIFIER OVERCURRENT exceeded limit determined by VFD RECTIFIER TEMPERATURE > exceeds limit calculated by VFD RECTIFIER TEMPERATURE > RECTIFIER TEMP OVERRIDE - 20 deg F (11.1 deg C)	Preset Alarm Preset Alarm Prestart Alert, Configure RECTIFIER TEMP OVERRIDE in SETUP1 screen
Inverter - Overcurrent - High Temperature	246 219 109	INVERTER OVERCURRENT exceeded limit determined by VFD INVERTER TEMPERATURE > exceeds limit calculated by VFD INVERTER TEMPERATURE > INVERTER TEMP OVERRIDE - 20 deg F (11.1 deg C)	Preset Alarm Preset Alarm Prestart Alert, Configure INVERTER TEMP OVERRIDE in SETUP1 screen
High VFD Inductor Temperature	255	Inductor Temperature Switch Open	Preset Alarm
DC Bus Voltage - High - Low	205/150 215/149	DC BUS VOLTAGE Limit Exceeded, limit is calculated by VFD DC BUS VOLTAGE < approximately 407VDC @ 400/480V Line Side Voltage	Preset Alarm/Autorestart Alert Preset Alarm/Autorestart Alert
Ground Fault	220	GROUND FAULT CURRENT > 7% of Drive Rated Amps Sensed	Preset Alarm
Optional Limits - Spare Temperature - Spare Temperature - Refrigerant Leak Sensor	248,249 158,159 250	SPARE TEMPERATURE > SPARE TEMP LIMIT for 3 consecutive samples SPARE TEMPERATURE > SPARE TEMP LIMIT for 3 consecutive samples REFRIGERANT LEAK SENSOR PPM > REFRIG LEAK ALARM PPM	Optional Alarm, Configure SPARE TEMP ENABLE and SPARE TEMP LIMIT in SETUP1 screen Optional Alarm, Configure SPARE TEMP ENABLE and SPARE TEMP LIMIT in SETUP1 screen Optional Alarm, configure PPM at 20 MA and REFRIGERANT LEAK ALARM PPM in OPTIONS screen.

**Oil Sump Temperature Control COMPRESSOR ON** — The oil heater relay is energized whenever the chiller compressor is on, and the OIL SUMP TEMP is less than 90 F (32.2 C) or OIL SUMP TEMP is less than the CALC EVAP SAT TEMP plus 35 F (19.4 C). The oil heater is then turned off when the OIL SUMP TEMP is:

1. More than 90 F (32.2 C).
2. The OIL SUMP TEMP is warmer than the CALC EVAP SAT TEMP plus 35 F (19.4 C).

**⚠ WARNING**

All oil filter isolation valves should always be left open, except when changing the oil or the oil filter as defined in Changing Oil and Oil Filter section, page 73.

**Remote Start/Stop Contacts** — A remote device, such as a timeclock that uses a set of contacts, may be used to start and stop the chiller. However, the device should not be programmed to start and stop the chiller in excess of 2 or 3 times every 12 hours. If more than 8 starts in 12 hours (the *STARTS IN 12 HOURS* parameter on the MAINSTAT screen) occur, an excessive starts prestart alert displays, preventing the chiller from starting. The operator must press the **RESET** softkey on the ICVC to override the starts counter and start the chiller. If the chiller records 12 starts (excluding recycle starts or auto restarts after power failure) in a sliding 12-hour period, it can be restarted only by pressing the **RESET** softkey

followed by the **LOCAL** or **CCN** softkey. This ensures that, if the automatic system is malfunctioning, the chiller will not repeatedly cycle on and off. If the **AUTO RESTART OPTION** and the **REMOTE CONTACT OPTION** in the **OPTIONS** screen are enabled, the **REMOTE CONTACTS** must be closed in order for the chiller to restart following a power failure. If the automatic restart after a power failure option (*AUTO RESTART OPTION* on the **OPTIONS** screen) is not enabled when a power failure occurs, and if the remote contact is closed, the chiller will indicate an alarm because of the loss of voltage.

The contacts for remote start are wired into terminals 23 and 24 of the low voltage terminal strip in the control center cabinet. See the certified drawings for further details on contact ratings. The contacts must have 24 vac rating.

**Spare Safety and Spare Temperature Inputs** — Normally closed (NC) discrete inputs for additional field-supplied safeties may be wired to the spare protective limits input channel in place of the factory-installed jumper. (Wire multiple inputs in series.) The opening of any contact will result in a safety shutdown and a display on the ICVC. Refer to the certified drawings for safety contact ratings.

Analog temperature sensors may also be added to the module (SPARE TEMPERATURE #1 and #2). The analog temperature sensors may be configured to cause an alert or alarm on the CCN network. The alert will not shut the chiller down. Configuring for alarm state will cause the chiller to shut down. The SPARE TEMP channels can be configured for low or high temperature limits in the SETUP1 screen.

**Table 6 — Capacity Overrides**

OVERRIDE CAPACITY CONTROL	FIRST STAGE SET POINT			SECOND STAGE SET POINT	SECOND STAGE OVERRIDE TERMINATION
	View/Modify on ICVC Screen	Default Value	Configurable Range	Value	Value
<b>High Condenser Pressure (COND PRESS OVERRIDE)</b>	SETUP1	145 PSIG (1000 kPa)	145 to 166 PSIG (1000 to 1145 kPa)	CONDENSER PRESSURE > COND PRESS OVERRIDE + 2.4 PSIG (16.5 kPa) <b>OR</b> CONDENSER PRESSURE > 163 PSIG (1124 kPa)	CONDENSER PRESSURE < CONDENSER PRESS OVERRIDE - 1 PSI (6.9 kPa)
<b>Low Evaporator Temperature (REFRIG OVERRIDE DELTA T)</b>	SETUP1	3° F (1.7° C)	2 to 5° F (1.1 to 2.8° C)	CALC EVAP SAT TEMP, or EVAP REFRIG LIQUID TEMP < EVAP SAT OVERRIDE TEMP - 1° F (.6° C) NOTE: EVAP SAT OVERRIDE TEMP = EVAP REFRIG TRIPPOINT + REFRIG OVERRIDE DELTA T	CALC EVAP SAT TEMP and EVAP REFRIG LIQUID TEMP > EVAP SAT OVERRIDE TEMP + 2° F (1.1° C)
<b>High Motor Temperature (COMP MOTOR TEMP OVERRIDE)</b>	SETUP1	200° F (93° C)	150 to 200° F (66 to 93° C)	COMP MOTOR WINDING TEMP > COMP MOTOR TEMP OVERRIDE + 10° F (5.6° C)	COMP MOTOR WINDING TEMP < COMP MOTOR TEMP OVERRIDE - 2° F (1.1° C)
<b>High Rectifier Temperature (RECTIFIER TEMP OVERRIDE)</b>	SETUP1	160° F (71° C)	155 to 170° F (68 to 77° C)	RECTIFIER TEMP > RECTIFIER TEMP OVERRIDE + 10° F (5.6° C)	RECTIFIER TEMP < RECTIFIER TEMP OVERRIDE - 5° F (2.8° C)
<b>High Inverter Temperature (INVERTER TEMP OVERRIDE)</b>	SETUP1	160° F (71° C)	155 to 170° F (68 to 77° C)	INVERTER TEMP > INVERTER TEMP OVERRIDE + 10° F (5.6° C)	INVERTER TEMP < INVERTER TEMP OVERRIDE - 5° F (2.8° C)

**Spare Alarm Contacts** — One normally open trip alarm contact is provided in the control center cabinet. The contact ratings are provided in the certified drawings. The contacts are located on terminals 9 and 10 of the hazardous voltage terminal strip in the control center cabinet.

**Refrigerant Leak Detector** — A 4 to 20 mA / 0 to 5 vdc input is available on the CCM module [terminal J5-5 (–) and J5-6 (+)] for a refrigerant leak detector. Enabling *REFRIGERANT LEAK OPTION* (OPTIONS screen) will allow the PIC III controls to go into an alarm state at a user configured level (*REFRIG LEAK ALARM mA*). The input is configured for 4 to 20 mA by setting CCM DIP switch 1 on SW2 at the ON position, or configured for 1 to 5 vdc by setting switch 1 at the OFF position. The output of the refrigerant leak detector is displayed as *REFRIG LEAK SENSOR PPM* on the MAINSTAT screen. For a 1 to 5 vdc input, 1 vdc input represents 4 mA displayed and 5 vdc input represents 20 mA displayed.

**4 to 20 mA Kilowatt Output** — An output is available on the CCM module [Terminal J8-1 (+) and J8-2 (–)] to represent the power consumption of the chiller. The 4 to 20 mA signal generated by the CCM module can be wired to the building automation or energy management system to monitor the chiller's energy consumption. A 4 mA signal represents the chiller in an off state and a 20 mA signal represents the chiller operating at its rated peak kilowatt consumption. The rated peak kilowatt consumption is configured by the user in the VFD CONF display screen by the setting the *RATED LINE KILOWATTS* from the Machine Electrical Data Nameplate. The kilowatt output is designed for use with non-grounded controllers with a maximum input impedance of 500 ohms.

**Remote Reset of Alarms** — A standard feature of the PIC III controls is the ability to reset certain faults on a chiller in a shutdown alarm state from a remote location. If the condition which caused the alarm has cleared the fault can be reset and the chiller can be placed back into a normal CCN operating mode when the *REMOTE RESET OPTION* (ICVC PWD menu) is set to ENABLE. A variety of Carrier Comfort Network® software systems including ComfortVIEW™ or Network Service Tool® can access the PIC III controls and reset certain displayed alarms. Third party software from building automation systems (BAS) or energy management systems (EMS) can also access the PIC III controls through a Carrier DataLINK™, Dataport™, or LEI (Local Equipment Interface) module and reset certain faults displayed. All methods would access the ICVC PWD screen and force the *RESET ALARM?* point to YES to reset the fault condition. If the PIC III controls have determined that it is safe to start the chiller the *CCN MODE?* point (ICVC PWD screen) can be forced to YES to place the chiller back into normal CCN operating mode. The only exceptions are the following alarms that cannot be reset from a remote location: ALARM STATES #200, 201, 204, 206, 217, 218, 219, 220 and 236. To view alarm codes, refer to Troubleshooting Guide, Checking Display Messages, page 79. After the alarm has been reset the PIC II control will increment the *Starts in 12 Hours* counter by one upon restart. If the limit of 8 starts in a 12-hour period occurs Prestart Alert 100 must be manually reset at the local chiller control panel (ICVC).

**Condenser Pump Control** — The chiller will monitor the condenser pressure (*CONDENSER PRESSURE*) and may turn on the condenser pump if the condenser pressure becomes too high while the compressor is shut down. The condenser pressure override (*COND PRESS OVERRIDE*) parameter is used to determine this pressure point. *COND PRESS OVERRIDE* is found in the SETUP1 display screen, which is accessed from the EQUIPMENT SERVICE table. The default value is 145 psig (543 kPa).

If the *CONDENSER PRESSURE* is greater than or equal to the *COND PRESS OVERRIDE*, the condenser pump will energize to try to decrease the pressure and Alert 151 will be generated. The pump will turn off when the condenser pressure is less than the *COND PRESS OVERRIDE* threshold.

**Condenser Freeze Prevention** — This control algorithm helps prevent condenser tube freeze-up by energizing the condenser pump relay through terminals 3 and 4 of the hazardous voltage terminal strip (TB2) in the Control Center. The PIC III controls the pump and, by starting it, helps to prevent the liquid in the condenser from freezing. The PIC III can perform this function whenever the chiller is not running except when it is either actively in pumpdown or in pumpdown/lockout with the freeze prevention disabled.

When the *CONDENSER REFRIG TEMP* is less than or equal to the *CONDENSER FREEZE POINT*, the *CONDENSER LIQUID PUMP* is energized until the *CONDENSER REFRIG TEMP* is greater than the *CONDENSER FREEZE POINT* plus 5° F (2.7° C) and the *ENTERING CONDENSER LIQUID TEMPERATURE* is greater than or equal to the *CONDENSER FREEZE POINT*. An alarm (244) is generated if the chiller is in PUMPDOWN mode and the pump is energized. An alert (154) is generated if the chiller is not in PUMPDOWN mode and the pump is energized. If the chiller is in RECYCLE SHUTDOWN mode, the mode will transition to a non-recycle shutdown.

**Tower Fan Relay Low and High** — Low condenser liquid temperature can cause the chiller to shut down if it causes the condenser refrigerant temperature to be too low. The tower fan relays, located on terminals 5-8 on the hazardous voltage terminal strip (TB2) in the Control Center, are controlled by the PIC III to energize and deenergize as the pressure differential between cooler and condenser vessels changes. This prevents excessively low condenser liquid temperatures. The tower fan relay can only accomplish this if the relay has been added to the cooling tower temperature controller.

The tower fan relay low is turned on whenever the condenser liquid pump is running, flow is verified, the difference between cooler and condenser pressure is more than 30 psid (207 kPa), and the *ENTERING CONDENSER LIQUID* temperature is greater than 65 F (18.3 C).

The tower fan relay low is turned off when the *CONDENSER LIQUID PUMP* is deenergized, when *CONDENSER LIQUID FLOW* indication is lost, or under the following conditions:

1. *CALC EVAP SAT TEMP* is less than *EVAP SAT OVERRIDE TEMP*.
2. The difference between the *CONDENSER PRESSURE* and *EVAPORATOR PRESSURE* is less than 25 psi (172 kPa).

The tower fan relay high is turned on whenever the condenser liquid pump is running, flow is verified and the difference between cooler and condenser pressure is more than 35 psid (241.3 kPa) for *ENTERING COND LIQUID* temperature greater than the *TOWER FAN HIGH SETPOINT* (SETPOINT menu, default 75 F [24 C]).

The tower fan relay high is turned off when the condenser pump is off, flow is stopped, or the *CALC EVAP SAT TEMP* is less than the *EVAP SAT OVERRIDE TEMP* and *ENTERING CONDENSER LIQUID* is less than 70 F (21.1 C). The tower fan relay high is also turned off when the difference between *CONDENSER PRESSURE* and *EVAPORATOR PRESSURE* is less than 28 Psid (193 kPa), and *ENTERING CONDENSER LIQUID* temperature is less than *TOWER FAN HIGH SETPOINT* minus 3 F (1.6 C).

The TOWER FAN RELAY LOW and HIGH parameters are accessed from the STARTUP screen.

**IMPORTANT:** A field-supplied liquid temperature control system for condenser liquid should be installed. The system should maintain the leaving condenser liquid temperature at a temperature that is 20° F (11° C) above the leaving chilled liquid temperature.

### ▲ CAUTION

The tower fan relay control is not a substitute for a condenser liquid temperature control. When used with a liquid temperature control system, the tower fan relay control can be used to help prevent low condenser liquid temperatures.

**Auto. Restart After Power Failure** — This option may be enabled or disabled and may be viewed or modified on the OPTIONS screen, which is accessed from the SERVICE table. If the *AUTO. RESTART* option is enabled, the chiller will start up automatically after a power failure has occurred (after a single cycle dropout; low, high, or loss of voltage; and the power is within  $\pm 10\%$  of normal). The 15 and 3-minute inhibit timers are ignored during this type of start-up.

When power is restored after the power failure, a power failure restart will be enabled and the control allowed to AUTORESTART the chiller, starting with the chilled liquid pump(s), if start-up conditions are met.

If power to the ICVC module has been off for more than 3 hours or the timeclock has been set for the first time, the compressor will start with the slowest temperature-based ramp load rate possible in order to minimize oil foaming.

**Liquid/Brine Temperature Reset** — Three types of chilled liquid or brine setpoint temperature reset are available and can be viewed or modified on the TEMP\_CTL screen, which is accessed from the EQUIPMENT SERVICE table.

The ICVC default screen indicates when the chilled liquid reset is active. *TEMPERATURE RESET* on the MAINSTAT screen indicates the amount of reset. The CONTROL POINT will be determined by adding the *TEMPERATURE RESET* to the *ECL SETPOINT* or *LCL SETPOINT*.

To activate a reset type, access the TEMP\_CTL screen and input all configuration information for that reset type. Then, input the reset type number (1, 2, or 3) in the SELECT/ENABLE RESET TYPE input line.

**RESET TYPE 1:** 4 to 20 mA (0 to 5 vdc) *TEMPERATURE RESET* — Reset Type 1 is an automatic chilled liquid temperature reset based on a remote temperature sensor input configured for either an externally powered 4 to 20 mA or a 0 to 5 vdc signal. Reset Type 1 permits up to  $\pm 30$  F ( $\pm 17$  C) of automatic reset to the *ECL SETPOINT* or *LCL SETPOINT*.

The auto, chilled liquid reset is hardwired to CCM terminals J5-3 (–) and J5-4 (+). Switch setting number 2 on SW2 will determine the type of input signal. With the switch set at the ON position the input is configured for an externally powered 4 to 20 mA signal. With the switch in the OFF position the input is configured for an external 0 to 5 vdc signal. One of the following modifications are also required when using a 1 to 5 vdc temperature reset signal:

1. Install a 25 ohm resistor in series with the (+) voltage lead connected to CCM terminal J5-4.
2. Modify the input voltage signal with an external controller software to calibrate the temperature interpreted by the CCM. The controller should provide 4.54 v at 100% of the controller's output range and 0.91 v at 0% of the controller's output range.

**RESET TYPE 2: REMOTE TEMPERATURE RESET** — Reset Type 2 is an automatic chilled liquid temperature reset based on a remote temperature sensor input signal. Reset Type

2 permits  $\pm 30$  F ( $\pm 17$  C) of automatic reset to the *ECL SETPOINT* or *LCL SETPOINT* based on a temperature sensor wired to the CCM module (see wiring diagrams or certified drawings). The temperature sensor must be wired to CCM terminal J4-13 and J4-14.

To configure Reset Type 2, enter the temperature of the remote sensor at the point where no temperature reset will occur (*REMOTE TEMP -> NO RESET*). Next, enter the temperature at which the full amount of reset will occur (*REMOTE TEMP -> FULL RESET*). Then, enter the maximum amount of reset required to operate the chiller (*DEGREES RESET*). Reset Type 2 can now be enabled.

**RESET TYPE 3** — Reset Type 3 is an automatic chilled liquid temperature reset based on the difference between ENTERING CHILLED LIQUID and LEAVING CHILLED LIQUID temperature. Reset Type 3 adds  $\pm 30$  F ( $\pm 17$  C) based on the chilled liquid temperature difference.

To configure Reset Type 3, enter the chilled liquid temperature difference (the difference between entering and leaving chilled liquid) at which no temperature reset occurs (*CHL DELTA T -> NO RESET*). This chilled liquid temperature difference is usually the full design load temperature difference. Next, enter the difference in chilled liquid temperature at which the full amount of reset occurs (*CHL DELTA T -> FULL RESET*). Finally, enter the amount of temperature reset (*DEGREES RESET*). Reset Type 3 can now be enabled.

**Demand Limit Control Option** — The demand limit control option (*20 mA DEMAND LIMIT OPT*) is externally controlled by a 4 to 20 mA or 1 to 5 vdc signal from an energy management system (EMS). The option is set up on the RAMP\_DEM screen. When enabled, 4 mA is the 100% demand set point with an operator-configured minimum demand at a 20 mA set point (*DEMAND LIMIT AT 20 mA*).

The auto. demand limit is hardwired to terminals J5-1 (–) and J5-2 (+) on the CCM. Switch setting number 1 on CCM SW2 will determine the type of input signal. With the switch set at the ON position the input is configured for an externally powered 4 to 20 mA signal. With the switch in the OFF position the input is configured for an external 1 to 5 vdc signal. One of the following modifications are also required when using a 1 to 5 vdc *DEMAND LIMIT* signal:

1. Install a 25 ohm resistor in series with the (+) voltage lead connected to CCM terminal J5-2.
2. Modify the input voltage signal with an external controller software to calibrate the temperature interpreted by the CCM. The controller should provide 4.54 v at 100% of the controller's output range and 0.91 v at 0% of the controller's output range.

**Hot Gas Bypass (Optional) Algorithm (See Fig. 22A, 22B, and 23)** — If a hot gas bypass solenoid valve is present and the HGBP OPTION in the OPTIONS table is set to 1 or 2, this operator configurable feature can determine if load conditions are too low for the compressor and corrective action can be taken.

When the HGBP OPTION = 0: the HGBP algorithm is disabled.

When the HGBP OPTION = 1, the algorithm determines if corrective action is necessary by checking the chiller operating point against an operator configured threshold. The threshold is calculated from a combination of the difference between Entering and Leaving Chilled Liquid temperatures and the difference between CONDENSER PRESSURE and EVAPORATOR PRESSURE. The operator configured data points are the MIN LOAD POINT (T1/P1) and the FULL LOAD POINT (T2/P2). These points have default settings defined in the OPTIONS screen and on Table 3. A line is drawn between these points as shown in Fig. 22A and 22B. The default Load Points (to prevent compressor stall) are shown. Whenever the

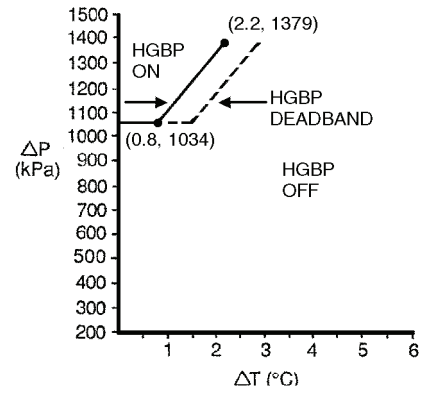


ACTIVE DELTA T (actual temperature difference between the LEAVING CHILLED LIQUID and ENTERING CHILLED LIQUID) is on the left side of the line plotted in Fig. 22A and 22B, the algorithm will energize the hot gas bypass valve to falsely load the chiller. If the ACTIVE DELTA T falls to the right side of the line plotted in Fig 22A and 22B by more than the HGBP DEADBAND, the hot gas bypass valve is de-energized. The HGBP valve is also deenergized if the ACTIVE DELTA P (actual difference between CONDENSER PRESSURE and EVAPORATOR PRESSURE) falls to below HGBP DELTA P1. Instructions to configure the MIN LOAD POINT(T1/P1) and FULL LOAD POINT(T2/P2) are on page 60.

When the HGBP OPTION = 2, the option energizes the Hot Gas Bypass relay solely based on the ACTIVE DELTA T (actual temperature difference between the LEAVING CHILLED LIQUID and ENTERING CHILLED LIQUID). Evaluation of the ACTIVE DELTA T begins at the completion of ramp loading. The hot gas bypass valve is energized if the ACTIVE DELTA T is less than the HGBP ON DELTA T. The hot gas bypass relay will be turned off when the ACTIVE DELTA T is greater than or equal to the sum of HGBP ON DELTA T plus HGBP OFF DELTA T. See Fig. 23.

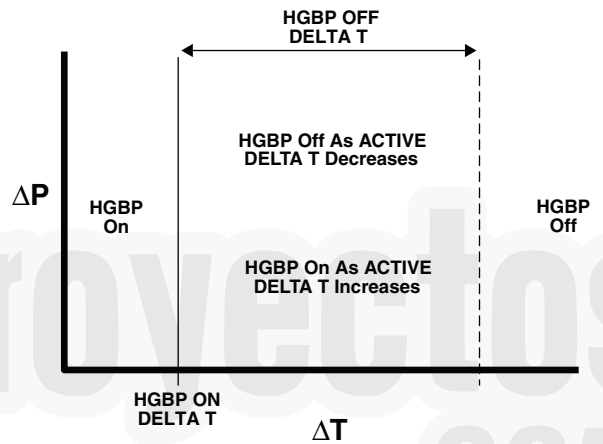
**Head Pressure Output Reference (See Fig. 24)** — The PIC III control outputs a 4 to 20 mA signal for the configurable Delta P (CONDENSER PRESSURE – EVAPORATOR PRESSURE) reference curve shown in Fig. 24. The DELTA P AT 100% (default at 50 psi). DELTA P AT 0% (default at 25 psi) and MINIMUM OUTPUT are configurable in the EQUIPMENT SERVICE-OPTIONS table. When configuring this output, ensure that minimum requirements for proper condenser FLASC orifice performance are maintained. The 4 to 20 mA output from VFD TB1 terminals 17 and 18 can be used as a reference to control a tower bypass valve, tower speed control, or condenser pump speed control. The head pressure output is designed for use with non-grounded controllers with a maximum input impedance of 500 ohms.

NOTE: It is up to the site design engineering agent to integrate this analog output with any external system device(s) to produce the desired effect. Carrier does not make any claim that this output is *directly* usable to control any specific piece of



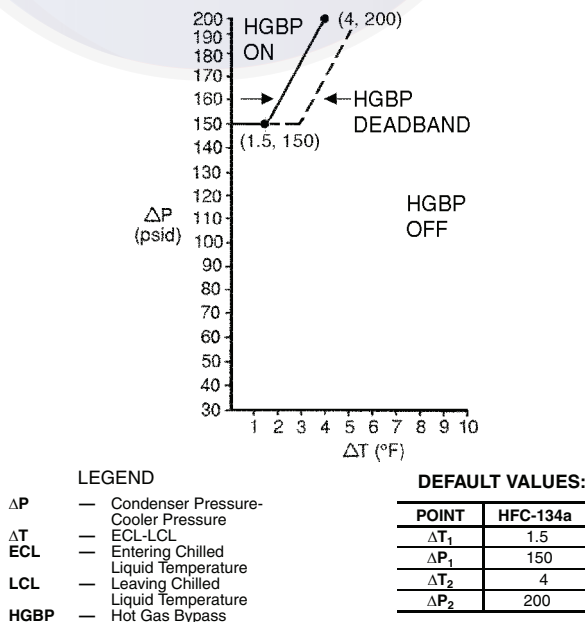
LEGEND		DEFAULT VALUES:	
$\Delta P$	— Condenser Pressure-Cooler Pressure	POINT	HFC-134a
$\Delta T$	— ECL-LCL	$\Delta T_1$	0.8
ECL	— Entering Chilled Liquid Temperature	$\Delta P_1$	1034
LCL	— Leaving Chilled Liquid Temperature	$\Delta T_2$	2.2
HGBP	— Hot Gas Bypass	$\Delta P_2$	1379

Fig. 22B — 23XRV Hot Gas Bypass Option 1 (SI)



LEGEND	
$\Delta P$	— Condenser Pressure – Evaporator Pressure
$\Delta T$	— Entering Chilled Liquid – Leaving Chilled Liquid
HGBP	— Hot Gas Bypass

Fig. 23 — Hot Gas Bypass Option 2



LEGEND		DEFAULT VALUES:	
$\Delta P$	— Condenser Pressure-Cooler Pressure	POINT	HFC-134a
$\Delta T$	— ECL-LCL	$\Delta T_1$	1.5
ECL	— Entering Chilled Liquid Temperature	$\Delta P_1$	150
LCL	— Leaving Chilled Liquid Temperature	$\Delta T_2$	4
HGBP	— Hot Gas Bypass	$\Delta P_2$	200

Fig. 22A — 23XRV Hot Gas Bypass Option 1 (English)

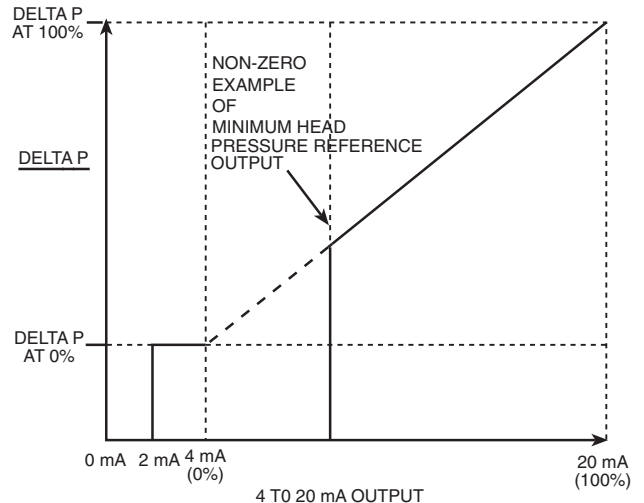


Fig. 24 — Head Pressure Output Reference Control

equipment (that is, without further control elements or signal conditioning), although it may be.

The head pressure reference output will be on whenever the condenser pump is operating. It may also be manually operated in *CONTROLS TEST*. When the head pressure differential is less than the value entered for *DELTA P AT 0%*, the output will be maintained at 4 mA. The output is 2 mA when the chiller is not running.

**Lead/Lag Control** — The lead/lag control system automatically starts and stops a lag or second chiller in a 2-chiller liquid system. A third chiller can be added to the lead/lag system as a standby chiller to start up in case the lead or lag chiller in the system has shut down during an alarm condition and additional cooling is required. Refer to Fig. 18 and 19 for menu, table, and screen selection information. The output is 2 mA when the chiller is not running.

NOTE: The lead/lag function can be configured on the LEADLAG screen, which is accessed from the SERVICE menu and EQUIPMENT SERVICE table. See Table 3, Example 21. Lead/lag status during chiller operation can be viewed on the LL\_MAINT display screen, which is accessed from the SERVICE menu and CONTROL ALGORITHM STATUS table. See Table 3, Example 12.

Lead/Lag System Requirements:

- all chillers in the system must have software capable of performing the lead/lag function
- liquid pumps MUST be energized from the PIC III controls
- liquid flows should be constant
- the CCN time schedules for all chillers must be identical

Operation Features:

- 2 chiller lead/lag
- addition of a third chiller for backup
- manual rotation of lead chiller
- load balancing if configured
- staggered restart of the chillers after a power failure
- chillers may be piped in parallel or in series chilled liquid flow

**COMMON POINT SENSOR INSTALLATION** — In all cases lead/lag operation does not require a common point chilled liquid sensor. Common point sensors (Spare Temp #1 and #2) can be added to the CCM module, if desired. Spare Temp #1 and #2 are wired to plug J4 terminals 25-26 and 27-28 (J4 lower, respectively). See the Lead/Lag Control Wiring on page 116.

NOTE: If the common point sensor option is chosen on a chilled liquid system, each chiller should have its own common point sensor installed. Each chiller uses its own common point sensor for control when that chiller is designated as the lead chiller. The PIC III cannot read the value of common point sensors installed on the other chillers in the chilled liquid system.

If leaving chilled liquid control (*ECL CONTROL OPTION* is set to 0 [DSABLE], TEMP\_CTL screen) and a common point sensor is desired (*COMMON SENSOR OPTION* in LEADLAG screen selected as 1) then the common point temperature sensor is wired in Spare Temp #1 position on the CCM.

If the entering chilled liquid control option (*ECL CONTROL OPTION*) is enabled (configured in TEMP\_CTL screen) and a common point sensor is desired (*COMMON SENSOR OPTION* in LEADLAG screen selected as 1) then the sensor is wired in Spare Temp #2 position on the CCM.

When installing chillers in series, a common point sensor should be used. If a common point sensor is not used, the leaving chilled liquid sensor of the upstream chiller must be moved into the leaving chilled liquid pipe of the downstream chiller.

If return chilled liquid control is required on chillers piped in series, the common point return chilled liquid sensor should be installed. If this sensor is not installed, the return chilled liquid sensor of the downstream chiller must be relocated to the return chilled liquid pipe of the upstream chiller.

To properly control the common supply point temperature sensor when chillers are piped in parallel, the liquid flow path through the shutdown chillers must be isolated so no liquid bypass around the operating chiller occurs. The common point sensor option must not be used if liquid bypass around the operating chiller is occurring.

**CHILLER COMMUNICATION WIRING** — Refer to the chiller’s Installation Instructions, Carrier Comfort Network® Interface section for information on chiller communication wiring.

**LEAD/LAG OPERATION** — The PIC III not only has the ability to operate 2 chillers in lead/lag, but it can also start a designated standby chiller when either the lead or lag chiller is faulted and capacity requirements are not met. The lead/lag option only operates when the chillers are in CCN mode. If any other chiller configured for lead/lag is set to the LOCAL or OFF modes, it will be unavailable for lead/lag operation.

Lead/Lag Chiller Configuration and Operation

- A chiller is designated the lead chiller when its *LEAD/LAG CONFIGURATION* value on the LEADLAG screen is set to “1.”
- A chiller is designated the lag chiller when its *LEAD/LAG CONFIGURATION* value is set to “2.”
- A chiller is designated as a standby chiller when its *LEAD/LAG CONFIGURATION* value is set to “3.”
- A value of “0” disables the lead/lag designation of a chiller.

To configure the *LAG ADDRESS* value on the LEADLAG screen, always enter the address of the other chiller on the system. For example, to configure chiller A, enter the address for chiller B as the lag address. To configure chiller B, enter the address for chiller A as the lag address. This makes it easier to rotate the lead and lag chillers.

If the address assignments in the *LAG ADDRESS* and *STANDBY ADDRESS* parameters conflict, the lead/lag function is disabled and an alert (!) message displays. For example, if the *LAG ADDRESS* matches the lead chiller’s address, the lead/lag will be disabled and an alert (!) message displayed. The lead/lag maintenance screen (LL\_MAINT) displays the message ‘INVALID CONFIG’ in the *LEAD/LAG: CONFIGURATION* and *CURRENT MODE* fields. Refer to Table 7.

**Table 7 — Invalid Lead/Lag Addresses**

LEAD/LAG CONFIGURATION (In LEAD/LAG Screen)	INVALID CONDITIONS
1 (Lead)	Local Address (Lead) = Lag Address
	Standby Chiller Option = Enable and Local Address (Lead) = Standby Address
	Standby Chiller Option = Enable and Lag Address = Standby Address
2 (Lag)	Local Address (Lead) = Lag Address
	Standby Chiller Option = Enable and Local Address (Lag) = Standby Address

The lead chiller responds to normal start/stop controls such as the occupancy schedule, a forced start or stop, and remote start contact inputs. After completing start-up and ramp loading, the PIC III evaluates the need for additional capacity. If additional capacity is needed, the PIC III initiates the start-up of the chiller configured at the *LAG ADDRESS*. If the lag chiller is faulted (in alarm) or is in the OFF or LOCAL modes,

the chiller at the *STANDBY ADDRESS* (if configured) is requested to start. After the second chiller is started and is running, the lead chiller monitors conditions and evaluates whether the capacity has been reduced enough for the lead chiller to sustain the system alone. If the capacity is reduced enough for the lead chiller to sustain the *CONTROL POINT* temperature alone, then the operating lag chiller is stopped.

If the lead chiller is stopped in CCN mode for any reason other than an alarm (\*) condition, the lag and standby chillers are also stopped. If the configured lead chiller stops for an alarm condition, the configured lag chiller takes the lead chiller's place as the lead chiller, and the standby chiller serves as the lag chiller.

If the configured lead chiller does not complete the start-up before the *PRESTART FAULT TIMER* (configured in LEAD-LAG screen) elapses, then the lag chiller starts and the lead chiller shuts down. The lead chiller then monitors the start request from the acting lead chiller. The *PRESTART FAULT TIMER* is initiated at the time of a start request. The *PRESTART FAULT TIMER* provides a timeout if there is a prestart alert condition that prevents the acting lead chiller from starting in a timely manner. The *PRESTART FAULT TIMER* parameter is on the LEAD-LAG screen, which is accessed from the EQUIPMENT SERVICE table of the SERVICE menu.

If the lag chiller does not achieve start-up before the *PRESTART FAULT TIMER* elapses, the lag chiller stops, and the standby chiller is requested to start, if configured and ready.

**Standby Chiller Configuration and Operation** — A chiller is designated as a standby chiller when its *LEAD/LAG CONFIGURATION* value on the LEADLAG screen is set to "3." The standby chiller can operate as a replacement for the lag chiller only if one of the other two chillers is in an alarm (\*) condition (as shown on the ICVC panel). If both lead and lag chillers are in an alarm (\*) condition, the standby chiller defaults to operate in CCN mode, based on its configured occupancy schedule and remote contacts input.

**Lag Chiller Start-Up Requirements** — Before the lag chiller can be started, the following conditions must be met:

1. The lag chiller status indicates it is in CCN mode and is not in an alarm condition. If the current lag chiller is in an alarm condition, the standby chiller becomes the active lag chiller, if it is configured and available.
2. Lead chiller ramp loading must be complete.
3. The configured *LAG START TIMER* entry has elapsed. The *LAG START TIMER* starts when the lead chiller ramp loading is completed or when a lag chiller stops. The *LAG START TIMER* entry is on the LEADLAG screen, which is accessed from the EQUIPMENT SERVICE table of the SERVICE menu.
4. Lead chiller *ACTIVE DEMAND LIMIT* (see the MAINSTAT screen) value must be greater than 95% of full load amps.
5. Lead *CHILLED LIQUID TEMP* must be greater than the *CONTROL POINT* temperature (see the MAINSTAT screen) plus  $\frac{1}{2}$  the *CHILLED LIQUID DEADBAND* temperature (see the SETUP1 screen).

NOTE: The chilled liquid temperature sensor may be the leaving chilled liquid sensor, the return liquid sensor, the common supply liquid sensor, or the common return liquid sensor, depending on which options are configured and enabled.

6. Lead chiller temperature pulldown rate (*TEMP PULLDOWN DEG/MIN* on the TEMP\_CTL screen) of the chilled liquid temperature is less than  $0.5^{\circ}$  F ( $0.27^{\circ}$  C) per minute for a cumulative duration greater than the *PULLDOWN TIMER* setting in the LEADLAG screen.

When all the above requirements have been met, the lag chiller is commanded to a STARTUP mode (SUPVSR flashing next to the point value on the STATUS table). The PIC III control then monitors the lag chiller for a successful start. If the lag chiller fails to start, the standby chiller, if configured is started.

**Lead/Lag Pulldown Timer Operation** — Some lead/lag chiller applications with large chilled liquid loop volumes must accommodate intermittent slugs of warm *ENTERING CHILLED LIQUID* for short time periods. This type of transient condition can result when a control valve rapidly opens to allow flow through a previously isolated branch or zone within the chilled liquid system. A *PULLDOWN TIMER* can be configured to delay starting the lag chiller so it does not excessively cycle on and off for short time periods when intermittent slugs of warm *ENTERING CHILLED LIQUID* pass through the chillers. A larger *PULLDOWN TIMER* entry gives the warm slug of water more time to pass through the chillers before the lag chiller will start.

The chiller *CONTROL POINT* can be configured to either *LEAVING CHILLED LIQUID* or *ENTERING CHILLED LIQUID* temperature. The PIC Controls monitor the temperature pulldown rate of the *CHILLED LIQUID* and display the result as *CHILL LIQ PULLDOWN/MIN* in the HEAT\_EX screen. Samples of the *CHILLED LIQUID* temperature are taken once every 10 seconds and compared against the previous *CHILLED LIQUID* sample. A positive value of *CHILL LIQ PULLDOWN/MIN* indicates that the *CHILLED LIQUID* temperature is decreasing between successive samples. If *CHILL LIQ PULLDOWN/MIN* rate is a minimum of 0.5 degrees F per minute then the *PULLDOWN: SATISFIED* parameter in the LL MAINT screen displays "YES", otherwise, the *PULLDOWN: SATISFIED* parameter displays "NO".

If the lead chiller is unable to achieve the *CONTROL POINT*, the lag chiller will not start unless the lead chiller is unable to maintain a *CHILL LIQ PULLDOWN/MIN* rate of 0.5 degrees F per minute for a time period equal to the number of minutes entered in the *PULLDOWN TIMER* parameter. *PULLDOWN TIME* in the LL MAINT screen displays the remaining delay left before the lag chiller is allowed to start based on the pulldown timer. *PULLDOWN TIME* will count down starting at the value entered in *PULLDOWN TIMER* when Ramp Loading is complete and when *PULLDOWN: SATISFIED = NO*.

The lag chiller pulldown start condition is met when *PULLDOWN TIME* lapses to 0.0 min.

If *PULLDOWN: SATISFIED* changes to "YES" as the *PULLDOWN TIME* is counting down to zero, the *PULLDOWN TIME* will start to count back up provided that the *CHILLED LIQUID* temperature has not fallen to less than the *CONTROL POINT* plus one half of the *CHILLED LIQUID DEADBAND*. The *PULLDOWN TIME* will start to count back down again should *PULLDOWN: SATISFIED* change back to "NO". The *PULLDOWN TIME* will be immediately reset to the value entered in the *PULLDOWN TIMER* parameter if the *CHILLED LIQUID* temperature decreases to less than the *CONTROL POINT* plus one half of the *CHILLED LIQUID DEADBAND*.

**Lag Chiller Shutdown Requirements** — The following conditions must be met in order for the lag chiller to be stopped.

1. Lead chiller *AVERAGE LINE CURRENT* or *PERCENT MOTOR KILOWATTS* load value (on the MAINSTAT screen) is less than the Lead Chiller Percent Capacity.

NOTE: Lead Chiller Percent Capacity =  $105 - \text{LAG \% CAPACITY}$ . The *LAG \% CAPACITY* parameter is on the LEADLAG screen, which is accessed from the EQUIPMENT SERVICE table on the SERVICE menu.

- The lead chiller *CHILLED LIQUID TEMP* is less than the *CONTROL POINT* temperature (see the MAINSTAT screen) plus on half of the *CHILLED LIQUID DEADBAND* temperature (see the SETUP1 screen).
- The configured *LAG STOP TIMER* entry has elapsed. The *LAG STOP TIMER* starts when the lead chiller *CHILLED LIQUID TEMP* is less than the chilled liquid *CONTROL POINT* plus  $\frac{1}{2}$  of the *CHILLED LIQUID DEADBAND* and the lead chiller compressor motor load (*PERCENT MOTOR KILOWATTS* or *AVERAGE LINE CURRENT* on the MAINSTAT screen) is less than the lead chiller percent capacity.

NOTE: The use of *AVERAGE LINE CURRENT* or *PERCENT MOTOR KILOWATTS* in the Lag chiller shutdown decision is based on the *DEMAND LIMIT SOURCE* configuration in the RAMP DEM screen. If *DEMAND LIMIT SOURCE* = 0 then *AVERAGE LINE CURRENT* will be used. If *DEMAND LIMIT SOURCE* = 1 then *PERCENT MOTOR KILOWATTS* will be used.

**FAULTED CHILLER OPERATION** — If the lead chiller shuts down because of an alarm (\*) condition, it stops communicating to the lag and standby chillers. After 30 seconds, the lag chiller becomes the acting lead chiller and starts and stops the standby chiller, if necessary.

If the lag chiller goes into alarm when the lead chiller is also in alarm, the standby chiller reverts, after 60 seconds, to a stand-alone CCN mode of operation.

If the lead chiller is in an alarm (\*) condition (as shown on the ICVC panel), press the **RESET** softkey to clear the alarm. The lead chiller is placed in CCN mode. The lead chiller communicates and monitors the RUN STATUS of the lag and standby chillers. If both the lag and standby chillers are running, the lead chiller does not attempt to start and does not assume the role of lead chiller until either the lag or standby chiller shuts down. If only one chiller is running, the lead chiller waits for a start request from the operating chiller. When the configured lead chiller starts, it resumes its role as lead chiller.

If the lag chiller is the only chiller running and the lead chiller is ready to resume its role as a lead chiller then the lag chiller will perform a *RECOVERY START REQUEST* (LL MAINT screen). The lead chiller will start up when the following conditions are met.

- Lag chiller ramp loading must be complete.
- Lag *CHILLED LIQUID TEMP* (MAINSTAT screen) is greater than *CONTROL POINT* plus  $\frac{1}{2}$  the *CHILLED LIQUID DEADBAND* temperature.
- Lag chiller *ACTIVE DEMAND LIMIT* value must be greater than 95% of full load amps.
- Lag chiller temperature pulldown rate (*TEMP PULLDOWN DEG/MIN*) of the chilled liquid temperature is less than 0.5 F (0.27 C) per minute for a cumulative time duration greater than the *PULLDOWN TIMER* setting in the lag chiller's LEADLAG screen.
- The standby chiller is not running as a lag chiller.
- The configured *LAG START TIMER* has elapsed. The *LAG START TIMER* is started when ramp loading is completed.

**LOAD BALANCING** — When the *LOAD BALANCE OPTION* (see LEADLAG screen) is enabled, the lead chiller sets the *ACTIVE DEMAND LIMIT* in the lag chiller to the lead chiller's *AVERAGE LINE CURRENT* or *PERCENT MOTOR KILOWATTS* value in the POWER screen. This value has limits of 40% to 100%. When the lag chiller *ACTIVE*

*DEMAND LIMIT* is set, the *CONTROL POINT* is assigned a value of 3° F (1.67° C) less than the lead chiller's *CONTROL POINT* value to better match the lead chiller's load level. If the *LOAD BALANCE OPTION* is disabled, the *ACTIVE DEMAND LIMIT* and the *CONTROL POINT* are forced to the same value as the lead chiller.

**AUTO RESTART AFTER POWER FAILURE** — When an Auto restart condition occurs, each chiller may have a delay added to the start-up sequence, depending on its lead/lag configuration. The lead chiller does not have a delay. The lag chiller has a 45-second delay. The standby chiller has a 90-second delay. The delay time is added after the chiller liquid flow is verified. The delay must elapse before the oil pump is turned on. The Auto restart delay sequence occurs whether the chiller is in CCN or LOCAL mode and is intended to stagger the compressor motor starts. Preventing the motors from starting simultaneously helps reduce the inrush demands on the building power system.

**Attach to Network Device Control** — The Service menu includes the ATTACH TO NETWORK DEVICE screen. From this screen the operator can:

- attach the ICVC to any CCN device, if the chiller has been connected to a CCN network. This may include other PIC-controlled chillers.
- upgrade software

Figure 25 shows the ATTACH TO NETWORK DEVICE screen. The *LOCAL* parameter is always the ICVC module address of the chiller on which it is mounted. Whenever the controller identification of the ICVC changes, the change is reflected automatically in the BUS and ADDRESS columns for the local device. See Fig. 19. Default address for local device is BUS 0 ADDRESS 1.

When the ATTACH TO NETWORK DEVICE screen is accessed, information can not be read from the ICVC on any device until one of the devices listed on that screen is attached. The ICVC erases information about the module to which it was attached to make room for information on the new device. Therefore, a CCN module must be attached when this screen is entered.

To attach any CCN device, highlight it using the **SELECT** softkey and press the **ATTACH** softkey. The message "UPLOADING TABLES, PLEASE WAIT" displays. The ICVC then uploads the highlighted device or module. If the module address cannot be found, the message "COMMUNICATION FAILURE" appears. The ICVC then reverts back to the ATTACH TO DEVICE screen. Try another device or check the address of the device that would not attach. The upload process time for each CCN module is different. In general, the uploading process takes 1 to 2 minutes. Before leaving the ATTACH TO NETWORK DEVICE screen, select the local device. Otherwise, the ICVC will be unable to display information on the local chiller.

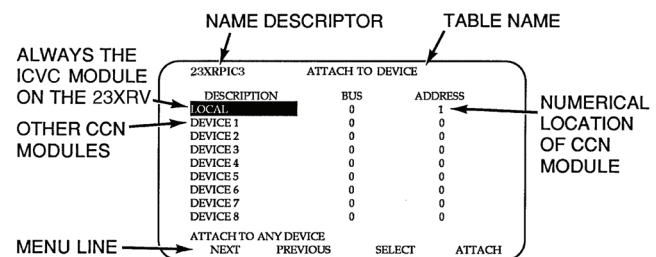


Fig. 25 — Example of Attach to Network Device Screen

**ATTACHING TO OTHER CCN MODULES** — If the chiller ICVC has been connected to a CCN Network or other PIC controlled chillers through CCN wiring, the ICVC can be used to view or change parameters on the other controllers. Other PIC III chillers can be viewed and set points changed (if the other unit is in CCN control), if desired, from this particular ICVC module.

If the module number is not valid, the “COMMUNICATION FAILURE” message will show and a new address number must be entered or the wiring checked. If the module is communicating properly, the “UPLOAD IN PROGRESS” message will flash and the new module can now be viewed.

Whenever there is a question regarding which module on the ICVC is currently being shown, check the device name descriptor on the upper left hand corner of the ICVC screen. See Fig. 25.

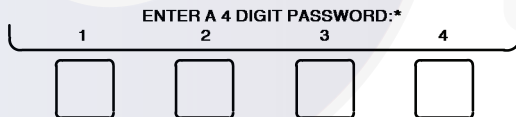
When the CCN device has been viewed, the ATTACH TO NETWORK DEVICE table should be used to attach to the PIC that is on the chiller. Move to the ATTACH TO NETWORK DEVICE table (LOCAL should be highlighted) and press the **ATTACH** softkey to upload the LOCAL device. The ICVC for the 23XRV will be uploaded and default screen will display.

**NOTE:** The ICVC will not automatically reattach to the local module on the chiller. Press the **ATTACH** softkey to attach to the LOCAL device and view the local chiller operation.

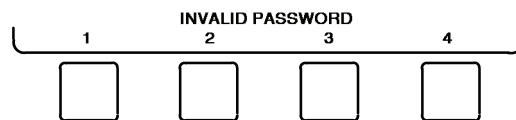
**Service Operation** — An overview of the tables and screens available for the SERVICE function is shown in Fig. 19.

**TO ACCESS THE SERVICE SCREENS** — When the SERVICE screens are accessed, a password must be entered.

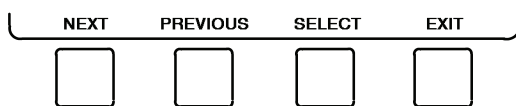
1. From the main MENU screen, press the **SERVICE** softkey. The softkeys now correspond to the numerals 1, 2, 3, 4.
2. Press the four digits of the password, one at a time. An asterisk (\*) appears as each digit is entered.



**NOTE:** The initial factory-set password is 1-1-1-1. If the password is incorrect, an error message is displayed.



If this occurs, return to Step 1 and try to access the SERVICE screens again. If the password is correct, the softkey labels change to:



**NOTE:** The SERVICE screen password can be changed by entering the ICVC CONFIGURATION screen under SERVICE menu. The password is located at the bottom of the menu. Contact Carrier Service to override the ICVC password if it is lost.

The ICVC screen displays the following list of available SERVICE screens:

- Alarm History

- Alert History
- Control Test
- Control Algorithm Status
- Equipment Configuration
- VFD Config Data
- Equipment Service
- Time and Date
- Attach to Network Device
- Log Out of Device
- ICVC Configuration

See Fig. 19 for additional screens and tables available from the SERVICE screens listed above. Use the **EXIT** softkey to return to the main MENU screen.

**NOTE:** To prevent unauthorized persons from accessing the ICVC service screens, the ICVC automatically signs off and password-protects itself if a key has not been pressed for 15 minutes. The sequence is as follows. Fifteen minutes after the last key is pressed, the default screen displays, the ICVC screen light goes out (analogous to a screen saver), and the ICVC logs out of the password-protected SERVICE menu. The STATUS, SCHEDULE, and SETPOINT screens can be accessed without the password by pressing the appropriate softkey.

**TO LOG OUT OF DEVICE** — To access this screen and log out of a network device, from the default ICVC screen, press the **MENU** and **SERVICE** softkeys. Enter the password and, from the SERVICE menu, highlight LOG OUT OF NETWORK DEVICE and press the **SELECT** softkey. The ICVC default screen will now be displayed.

**HOLIDAY SCHEDULING** (Fig. 26) — The time schedules may be configured for special operation during a holiday period. When modifying a time period, the “H” in the far right column of the OCCPC01S, OCCPC02S or OCCPC03S time schedule screen signifies that the period is applicable to a holiday. (See Fig. 20.)

The *TIME BROADCAST ENABLE* function must be activated for the holidays configured on the HOLIDAYS screen to work properly. Access the BRODEF screen from the EQUIPMENT CONFIGURATION table, highlight TIME BROADCAST ENABLE and select ENABLE to activate function. Note that when the chiller is connected to a CCN network, only one chiller or CCN device can be configured as the broadcast device. The controller that is configured as the broadcaster is the device responsible for transmitting holiday, time, and daylight-savings dates throughout the network.

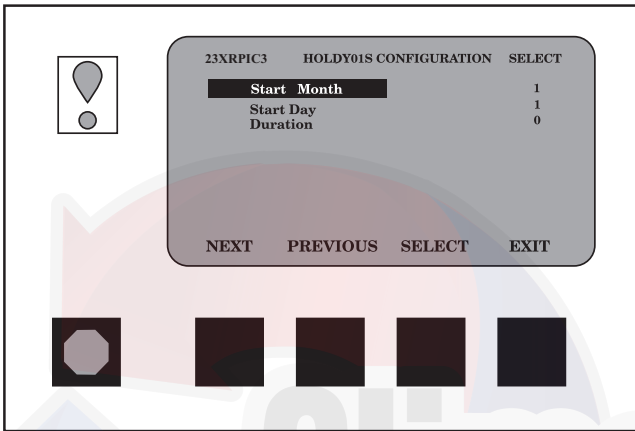
To access the BRODEF screen, see the SERVICE menu structure, Fig. 19.

To view or change the holiday periods for up to 18 different holidays, perform the following operation:

1. At the Main Menu screen, press **SERVICE** to access the Service menu.
2. If not logged on, follow the instructions for ATTACH TO NETWORK DEVICE CONTROL or To Log Out of Device. Once logged on, press **NEXT** until EQUIPMENT CONFIGURATION is highlighted.
3. Once EQUIPMENT CONFIGURATION is highlighted, press **SELECT** to access.
4. Press **NEXT** until HOLIDAYS is highlighted. This is the Holiday Definition table.
5. Press **SELECT** to enter the Data Table Select screen. This screen lists 18 holiday tables.
6. Press **NEXT** to highlight the holiday table that is to be viewed or changed. Each table is one holiday

period, starting on a specific date, and lasting up to 99 days.

7. Press **[SELECT]** to access the holiday table. The Configuration Select table now shows the START MONTH, START DAY, and DURATION of the holiday period.
8. Press **[NEXT]** or **[PREVIOUS]** to highlight the START MONTH, START DAY, and DURATION.
9. Press **[SELECT]** to modify the month, day, or duration.
10. Press **[INCREASE]** or **[DECREASE]** to change the selected value.
11. Press **[ENTER]** to save the changes.
12. Press **[EXIT]** to return to the previous menu.



**Fig. 26 — Example of Holiday Period Screen**

### START-UP/SHUTDOWN/ RECYCLE SEQUENCE (Fig. 27)

**Local Start-Up** — Local start-up (or a manual start-up) is initiated by pressing the **[LOCAL]** menu softkey on the default ICVC screen. Local start-up can proceed when the chiller schedule indicates that the current time and date have been established as a run time and date, and after the internal 15-minute start-to-start and the 1-minute stop-to-start inhibit timers have expired. These timers are represented in the *START INHIBIT TIMER* and can be viewed on the MAINSTAT screen and DEFAULT screen. The timer must expire before the chiller will start. If the timers have not expired the *RUN STATUS* parameter on the MAINSTAT screen now reads TIMEOUT.

NOTE: The time schedule is said to be “occupied” if the *OCCUPIED?* parameter on the MAINSTAT screen is set to YES. For more information on occupancy schedules, see the sections on Time Schedule Operation (page 21), Occupancy Schedule (page 35), and To Prevent Accidental Start-Up (page 65), and Fig. 20.

If the *OCCUPIED?* parameter on the MAINSTAT screen is set to NO, the chiller can be forced to start as follows. From the default ICVC screen, press the **[MENU]** and **[STATUS]** softkeys. Scroll to highlight MAINSTAT. Press the **[SELECT]** softkey. Highlight and select *CHILLER START/STOP*. Press the **[START]** softkey to override the schedule and start the chiller.

NOTE: The chiller will continue to run until this forced start is released, regardless of the programmed schedule. To release the forced start, highlight and select *CHILLER START/STOP* from the MAINSTAT screen and press the **[RELEASE]**

softkey. This action returns the chiller to the start and stop times established by the schedule.

The chiller may also be started by overriding the time schedule. From the default screen, press the **[MENU]** and **[SCHEDULE]** softkeys. Scroll down and select the current schedule. Scroll down and select *OVERRIDE*, and set the desired override time period.

Another condition for start-up must be met for chillers that have the *REMOTE CONTACTS OPTION* on the EQUIPMENT SERVICE, OPTIONS screen set to ENABLE. For these chillers, the *REMOTE START CONTACT* parameter on the MAINSTAT screen must be CLOSED. From the ICVC default screen, press the **[MENU]** and **[STATUS]** softkeys. Scroll to high-light MAINSTAT and press the **[SELECT]** softkey. Scroll down the MAINSTAT screen to highlight *REMOTE START CONTACT* and press the **[SELECT]** softkey. Press the **[CLOSE]** softkey to initiate the override. To end the override, select *REMOTE START CONTACT* and press the **[RELEASE]** softkey.

Once local start-up begins, the PIC III performs a series of pre-start tests to verify that all pre-start alerts and safeties are within the limits shown in Table 5. The *RUN STATUS* parameter on the MAINSTAT screen line now reads *PRESTART*. If a test is not successful, the start-up is delayed or aborted. Failure to verify any of the requirements up to this point will result in the PIC III aborting the start and displaying the applicable pre-start alert on the ICVC default screen. A pre-start alert does not advance the starts in 12 hours counter. If the tests are successful, the chilled liquid pump relay energizes, and the MAINSTAT screen line now reads *STARTUP*.

Five seconds later, the condenser pump relay energizes. Thirty seconds later the PIC III monitors the chilled liquid and condenser liquid flow devices and waits until the *LIQUID FLOW VERIFY TIME* (operator-configured, default 5 minutes) expires to confirm flow. After flow is verified, the chilled liquid temperature is compared to *CONTROL POINT* plus  $1/2$  *CHILLED LIQUID DEADBAND*. If the temperature is less than or equal to this value, the PIC III turns off the condenser pump relay and goes into a *RECYCLE* mode.

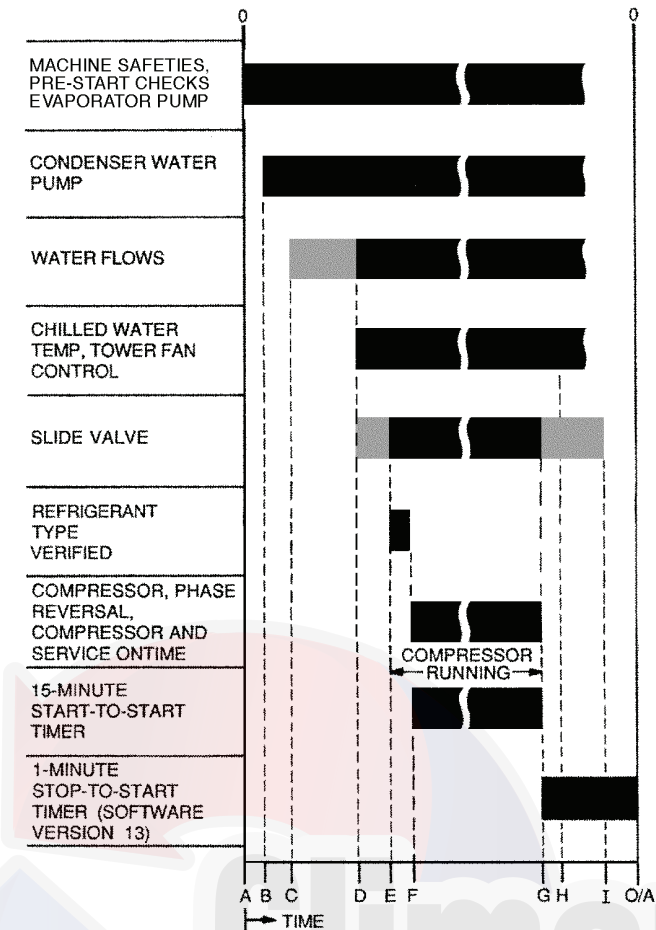
NOTE: The 23XRV chillers are not available with factory-installed external chilled liquid flow or condenser liquid flow devices. These are available as an accessory for use with the CCM control board.

If the liquid temperature is high enough to require cooling, the start-up sequence continues. Tower fan control is enabled and the oil pump starts. Oil pressure is verified between 45 seconds and 5 minutes. The VFD is set to *START* following oil pressure verification and the controls verify that no faults exist. Proper compressor rotation is verified by monitoring the discharge pressure.

The control center monitors load current to verify that the compressor is running then steps the compressor up to target speed. The start-to-start timer and Service On time timers are activated when compressor operation is confirmed.

The controls will abort the start and display the applicable pre-start alert on the ICVC if any of the conditions above are not verified. Any fault after the startup process is complete results in a safety shutdown, advancing the *STARTS IN 12 HOURS* counter by one, and display of the applicable shutdown status on the ICVC display.

Compressor ontime and service ontime timers start, and the compressor *STARTS IN 12 HOURS* counter in the MAINSTAT screen and the *TOTAL COMPRESSOR STARTS* counter advance by one.



- A** — START INITIATED: Pre-start checks are made; chilled liquid pump started
- B** — Condenser liquid pump started (5 seconds after A)
- C** — Liquid flows verified (30 sec to 5 minutes maximum after B)
- D** — Chilled liquid temperature checked against control point; tower fan control enabled; oil pump on.
- E** — Oil pressure verified (oil pressure verified 45-300 sec after D.)
- F** — VFD starts; phase reversal conditions monitored; compressor ontime and service ontime start; 15-minute inhibit timer starts (VFD fault tests for 15 sec after "F")
- G** — Verify average current >5% within 15 sec after VFD start, ramp to VFD target speed.
- H** — Compressor reaches target speed, chiller set to running status
- I** — Ramp down until percent line current ≤ soft stop amps threshold (0-60 sec after I)
- J** — Shutdown initiated: Target VFD speed to 0%. All load currents <5%.
- K** — Oil pump relay off (1-20 sec after J)
- L** — Evaporator pump deenergized (60 sec after K); condenser pump and tower fan control may continue to operate if condenser pressure is high; evaporator pump may continue if in RECYCLE mode or freeze protection alarm declared.
- O/A** — Restart permitted (both inhibit timers expired) (minimum of 15 minutes after F; minimum of 1 minute after L)

**Fig. 27 — Control Sequence**

**Shutdown Sequence** — Chiller shutdown begins if any of the following occurs:

- the STOP button is pressed for at least one second (the alarm light blinks once to confirm the stop command)
- a recycle condition is present (see Chilled Liquid Recycle Mode section)
- the time schedule has gone into unoccupied mode
- the chiller protective limit has been exceeded and chiller is in alarm
- the start/stop status is overridden to stop from the CCN network or the ICVC

When a stop signal occurs, the controls set TARGET VFD SPEED to 0. This will cause the compressor to reduce speed to the point where line amps equal the configured SOFT STOP AMPS THRESHOLD. (In a recycle shut down, the compressor will probably be at or below the soft stop threshold amps when the stop signal is received.) At that point, or one minute after the stop signal occurs (whichever is earlier), the VFD is set to STOP. If the STOP key is depressed a second time during the soft stop or within one minute of the stop signal occurring, the compressor is immediately stopped.

When the VFD is set to STOP, the compressor is turned off. The compressor shut down is confirmed by monitoring load amps. When the compressor shut down is verified, the oil pump is turned off and VFD STOP is complete. After one minute, the chilled liquid pump is turned off, unless it is a recycle shut down. At this point, the compressor on-time and service on-time timers are turned off, and the stop-to-start timer is turned on.

At this time the condenser liquid pump is also shut off, provided that the entering condenser liquid temperature is 115 F (6.1 C) or greater, and the condenser refrigerant temperature is greater than the condenser freeze point plus 5° F (3° C). Otherwise, it remains under the control of the Condenser Pump Control algorithm.

If the shut down is due to low evaporator refrigerant temperature, the chilled liquid pump continues to run until the leaving chilled liquid temperature is greater than the control point, plus 5° F (3° C).

**Automatic Soft Stop Amps Threshold** — When a non-recycle, non-alarm shutdown is called for, the soft stop feature unloads the compressor by reducing speed to the point where load amps equal the SOFT STOP AMPS THRESHOLD. The compressor is then turned off (see the above sequence).

If the chiller enters an alarm state or if the compressor enters a RECYCLE mode, the compressor deenergizes immediately.

To modify the soft stop amps threshold feature, scroll to the OPTIONS screen on the ICVC. Use the **INCREASE** or **DECREASE** softkey to set the *SOFTSTOP AMPS THRESHOLD* parameter to the percent of amps at which the motor will shut down. Setting *SOFT STOP AMPS THRESHOLD* to 100% de-activates this feature. The default setting is 100% amps (no soft stop). The range is 40 to 100%.

When the soft stop amps threshold feature is being applied, a status message, "SHUTDOWN IN PROGRESS, COMPRESSOR UNLOADING" displays on the ICVC.

The soft stop amps threshold function can be terminated and the compressor motor deenergized immediately by depressing the STOP button twice.

**Chilled Liquid Recycle Mode** — The chiller may cycle off and wait until the load increases to restart when the compressor is running in a lightly loaded condition. This cycling is normal and is known as "recycle." A recycle shutdown is initiated when any of the following conditions are true:

1. ECL CONTROL OPTION is DISABLED (LCL control):

The CONTROL POINT has not been increased by at least 1° F in the last 5 min. AND LEAVING CHILLED LIQUID temperature is less than the CONTROL POINT (MAINSTAT screen) minus 5° F.

OR LEAVING CHILLED LIQUID temperature is less than the CONTROL POINT AND the difference between ENTERING CHILLED LIQUID — LEAVING CHILLED LIQUID is less than RECYCLE SHUTDOWN DELTA T and ice build is not active.

- ECL CONTROL OPTION is ENABLED AND ice build is not active (ECL control):

The CONTROL POINT has not been increased by at least 1° F in the last 5 min. AND ENTERING CHILLED LIQUID temperature is less than the CONTROL POINT minus 5° F OR ENTERING CHILLED LIQUID temperature is less than the CONTROL POINT AND the difference between ENTERING CHILLED LIQUID — LEAVING CHILLED LIQUID is less than RECYCLE SHUTDOWN DELTA T.

- The LEAVING CHILLED LIQUID temperature is less than the EVAP REFRIG TRIPPOINT plus 3° F. (NOTE: Refer to Refrigerant Low Temperature Override)

Whenever recycle shutdown is active the RUN STATUS shall be “Recycle”.

When the chiller is in RECYCLE mode, the chilled liquid pump relay remains energized so the chilled liquid temperature can be monitored for increasing load. The recycle control uses *RECYCLE CONTROL RESTART DELTA T* to check when the compressor should be restarted. This is an operator-configured function which defaults to 5° F (3° C). This value can be viewed or modified on the SETUP1 table. The compressor will restart when the chiller is:

- in LCL CONTROL (ECL CONTROL OPTION DISABLED) and the *LEAVING CHILLED LIQUID* temperature is greater than the *CONTROL POINT* plus the *RECYCLE CONTROL RESTART DELTA T*.
- in ECL CONTROL and the *ENTERING CHILLED LIQUID* temperature is greater than the *CONTROL POINT* plus the *RECYCLE CONTROL RESTART DELTA T*.

Once these conditions are met, the compressor initiates a start-up with a normal start-up sequence.

An alert condition may be generated if 5 or more recycle start-ups occur in less than 4 hours. Excessive recycling can reduce chiller life; therefore, compressor recycling due to extremely low loads should be reduced.

To reduce compressor recycling, use the time schedule to shut the chiller down during known low load operation periods, or increase the chiller load by running the fan systems. If the hot gas bypass is installed, adjust the values to ensure that hot gas is energized during light load conditions. Increase the *RECYCLE CONTROL RESTART DELTA T* on the SETUP1 table to lengthen the time between restarts.

The chiller should not be operated below design minimum load without a hot gas bypass installed.

**Safety Shutdown** — A safety shutdown is identical to a manual shutdown with the exception that, during a safety shutdown, the ICVC displays the reason for the shutdown, the alarm light blinks continuously, and the spare alarm contacts are energized.

After a safety shutdown, the **RESET** softkey must be pressed to clear the alarm. If the alarm condition is still present, the alarm light continues to blink. Once the alarm is cleared, the operator must press the **CCN** or **LOCAL** softkeys to restart the chiller.

## BEFORE INITIAL START-UP

### Job Data Required

- list of applicable design temperatures and pressures (product data submittal)
- chiller certified prints
- starting equipment details and wiring diagrams
- diagrams and instructions for special controls or options
- 23XRV Installation Instructions
- pumpout unit instructions

### Equipment Required

- T30 hexalobular socket screw driver to remove control center door shipping brackets
- mechanic’s tools (refrigeration)
- digital volt-ohmmeter (DVM)
- clamp-on ammeter
- electronic leak detector
- absolute pressure manometer or wet-bulb vacuum indicator (Fig. 28)
- 500-v insulation tester (megohmmeter) for compressor motors with nameplate voltage of 600 v or less
- Reliance LCD OIM (operator interface module) (optional)

**Using the Optional Storage Tank and Pump-out System** — Refer to Chillers with Storage Tanks section, page 70 for pumpout system preparation, refrigerant transfer, and chiller evacuation.

**Remove Shipping Packaging** — Remove any packaging material from the control center, oil pump, VFD cooling solenoid, HGBP solenoid, oil reclaim actuator, oil heater terminal boxes, and relief valves.

**Open Oil Circuit Valves** — Check to ensure the oil filter isolation valves (Fig. 8) are open by removing the valve cap and checking the valve stem.

**Oil Charge** — The oil charge for the 23XRV chiller is split between the cooler and the oil vaporizer:

Frame Size	Cooler Charge	Oil Sump Charge	Total
3	1 gal.(3.8 L)	6.5 gal.(24.6 L)	7.5 gal. (28.4 L)
4			
5			

The chiller is shipped with its oil charge. The oil level in the vaporizer will initially be in the center of the oil sump sight glass. This level will vary depending on the amount of refrigerant that has been absorbed by the oil and the operating conditions of the chiller. Normal oil levels will vary from the top of the strainer housing sight glass to above the top of the oil sump sight glass.

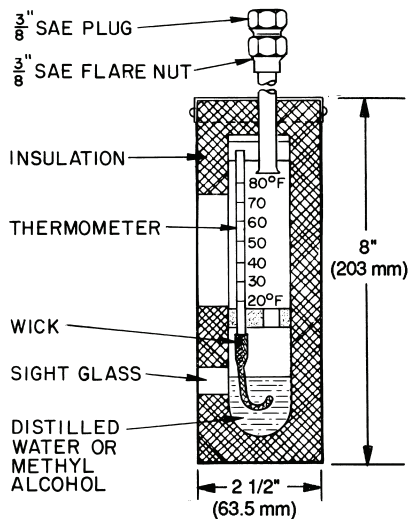
If oil is added, it must conform to Carrier’s specification for screw compressor use as described in the Oil Specification section. Charge the oil through the oil charging valve located near the bottom of the oil strainer housing. The oil must be pumped from the oil container through the charging valve due to the higher refrigerant pressure. The pumping device must be able to lift from 0 to 200 psig (1379 kPa) or above unit pressure. Oil should only be charged or removed when the chiller is shut down.

**Tighten All Gasketed Joints** — Gaskets normally relax by the time the chiller arrives at the jobsite. Tighten all gasketed joints to ensure a leak-tight chiller. See Table 8 for waterbox torque specifications.

**Table 8 — Waterbox Bolt Torque**

COOLER or CONDENSER	NOMINAL BOLT SIZE	TORQUE	
		ft-lb	N-m
FRAME 3	5/8-11	105-150	142-203
	3/4-10	175-250	237-339
FRAME 4	5/8-11	105-150	142-203
	3/4-10	175-250	237-339
	7/8-9	265-380	359-515
FRAME 5	5/8-11	105-150	142-203
	3/4-10	175-250	237-339
	7/8-9	265-380	359-515





**Fig. 28 — Typical Wet-Bulb Type Vacuum Indicator**

**Check Chiller Tightness** — Figure 29 outlines the proper sequence and procedures for leak testing.

23XRV chillers are shipped with a full refrigerant and oil charge. Units may be ordered with the refrigerant shipped separately, and a 15 psig (103 kPa) nitrogen-holding charge in each vessel. To determine if there are any leaks, the chiller should be charged with a refrigerant tracer. Use an electronic leak detector to check all flanges and solder joints after the chiller is pressurized. If any leaks are detected, follow the leak test procedure.

If the chiller is spring isolated, keep all springs blocked in both directions to prevent possible piping stress and damage during the transfer of refrigerant from vessel to vessel during the leak test process, or any time refrigerant is being transferred. Adjust the springs when the refrigerant is in operating condition and the liquid circuits are full.

**Refrigerant Tracer** — Carrier recommends the use of an environmentally acceptable refrigerant tracer for leak testing with an electronic detector or halide torch.

Ultrasonic leak detectors can also be used if the chiller is under pressure.

### ⚠ WARNING

Do not use air or oxygen as a means of pressurizing the chiller. Mixtures of HFC-134a and air can undergo combustion.

**Leak Test Chiller** — Due to regulations regarding refrigerant emissions and the difficulties associated with separating contaminants from refrigerant, Carrier recommends the following leak test procedures. See Fig. 29 for an outline of the leak test procedures. Refer to Fig. 30-33 during pumpout procedures. See the Pumpout and Refrigerant Transfer Procedures Section on page 69. Refer to Tables 9A and 9B for temperature/pressure relationships for HFC-134a refrigerant.

1. If the pressure readings are normal for chiller condition:
  - a. Evacuate the holding charge from the vessels, if present.
  - b. Raise the chiller pressure, if necessary, by adding refrigerant until pressure is at equivalent saturated pressure for the surrounding temperature.

### ⚠ WARNING

Never charge liquid refrigerant into the chiller if the pressure in the chiller is less than 35 psig (241 kPa). Charge as a gas only, with the cooler and condenser pumps running, until this pressure is reached, using PUMPDOWN and TERMINATE PUMPDOWN MODE on the ICVC. Flashing of liquid refrigerant at low pressures can cause tube freeze-up and considerable damage.

- c. Leak test chiller as outlined in Steps 3 - 7.
2. If the pressure readings are abnormal for chiller condition:
  - a. Prepare to leak test chillers shipped with refrigerant. If chiller is shipped with refrigerant, proceed to Step 3.
  - b. Check for large leaks by connecting a nitrogen bottle and raising the pressure to 30 psig (207 kPa). Soap test all joints. If the test pressure holds for 30 minutes, prepare the test for small leaks (Steps 2g - h).
  - c. Plainly mark any leaks which are found.
  - d. Release the pressure in the system.
  - e. Repair all leaks.
  - f. Retest only those joints that were repaired.
  - g. After successfully completing the test for large leaks, remove as much nitrogen, air, and moisture as possible, given the fact that small leaks may be present in the system. This can be accomplished by following the dehydration procedure, outlined in the Chiller Dehydration section, page 55.
  - h. Slowly raise the system pressure to normal operating pressures for the refrigerant used in the chiller. Proceed with the test for small leaks (Steps 3-7).
3. Check the chiller carefully with an electronic leak detector or halide torch.
4. Leak Determination — If an electronic leak detector indicates a leak, use a soap bubble solution, if possible, to confirm. Total all leak rates for the entire chiller. Leakage at rates greater than 1 lb/year (0.45 kg/year) for the entire chiller must be repaired. Note total chiller leak rate on the start-up report.
5. If no leak is found during initial start-up procedures, complete the transfer of refrigerant gas from the storage tank to the chiller. Retest for leaks.
6. If no leak is found after a retest
  - a. Transfer the refrigerant to the storage tank and perform a standing vacuum test as outlined in the Chiller Dehydration section, page 55.
  - b. If the chiller fails this test, check for large leaks (Step 2b).
  - c. Dehydrate the chiller if it passes the standing vacuum test. Follow the procedure in the Chiller Dehydration section. Charge chiller with refrigerant.
7. If a leak is found, pump the refrigerant back into the storage tank, or if isolation valves are present, pump into the vessel that is not leaking.
 

Transfer the refrigerant until chiller pressure is at least equal to the pressure specified by the EPA under 40 CFR Part 82.

Repair the leak and repeat the procedure, beginning from Step 2h to ensure a leaktight repair. If chiller is opened to the atmosphere for an extended period, evacuate it before repeating leak test.

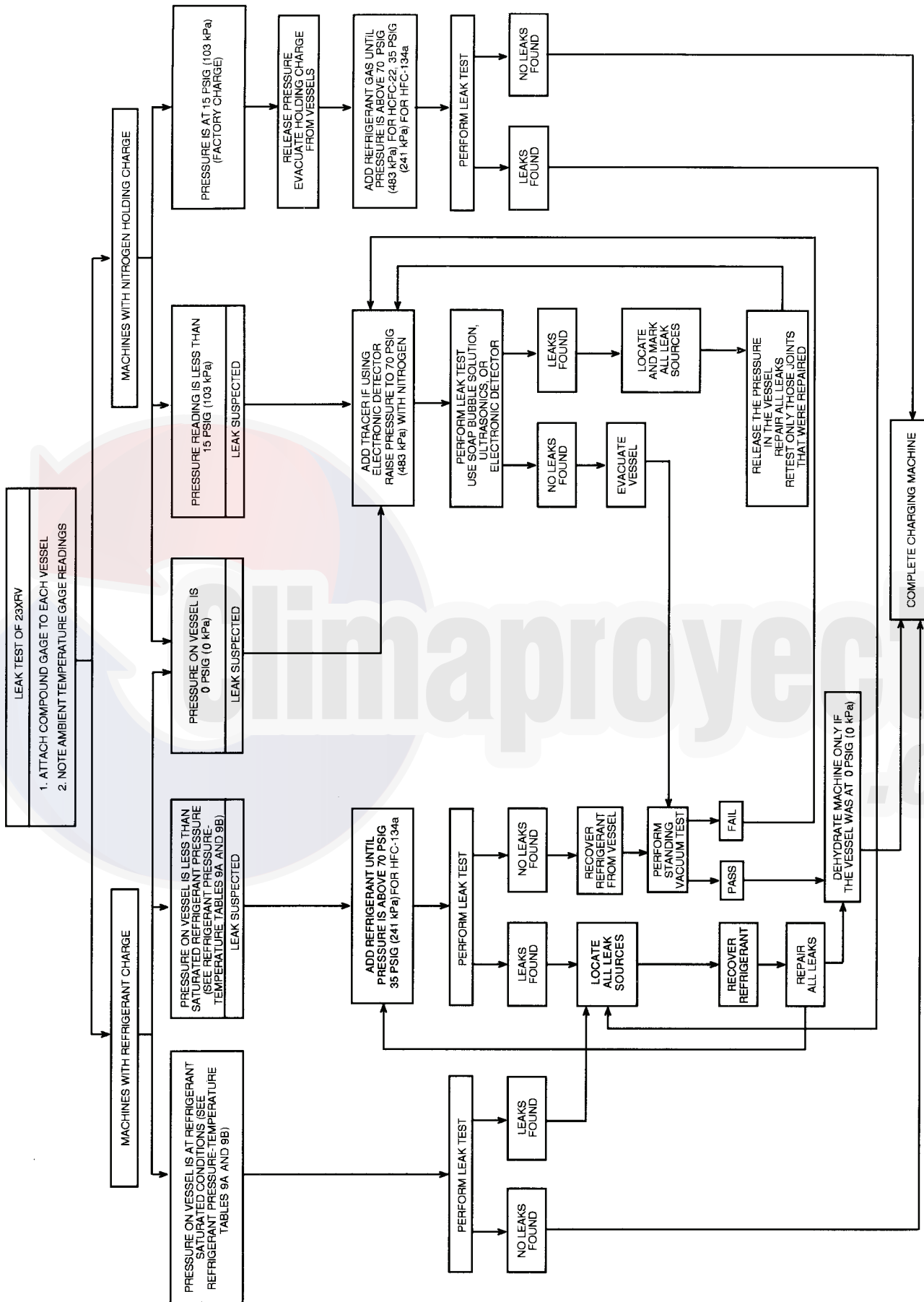
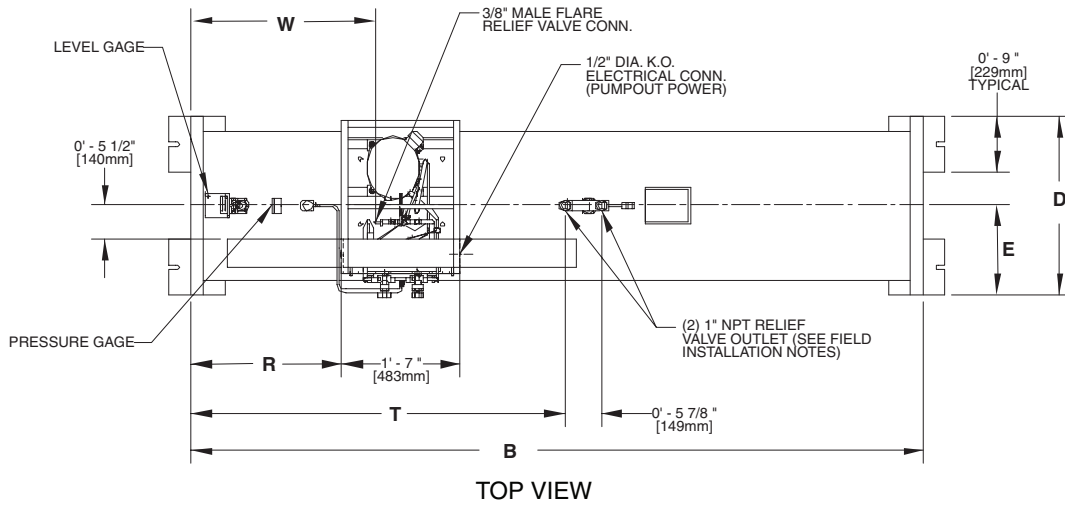

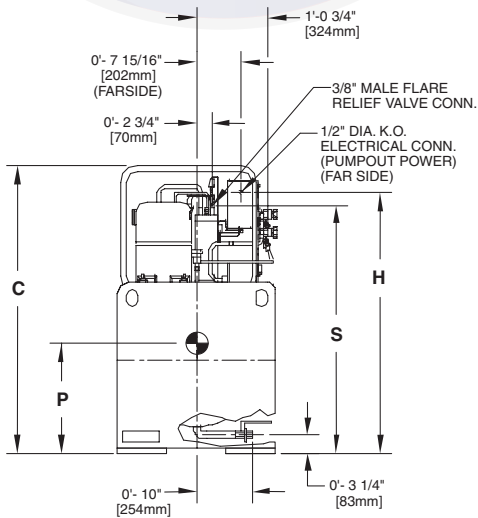
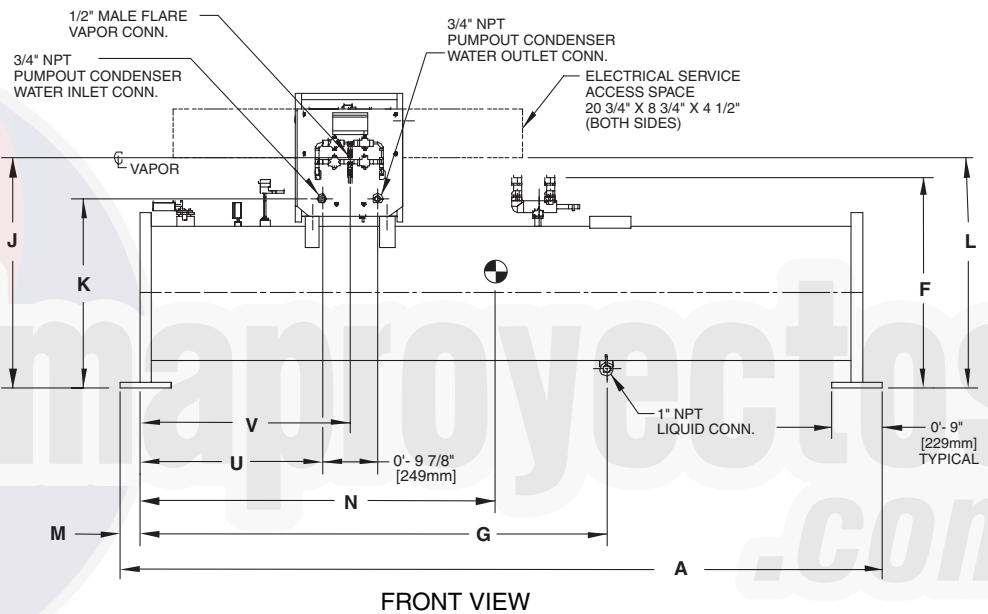


Fig. 29 — 23XRV Leak Test Procedure



**NOTES:**

1.  Denotes center of gravity.
2. Dimensions in [ ] are in millimeters.
3. The weights and center of gravity values given are for an empty storage tank.
4. For additional information on the pumpout unit, see certified drawings.
5. Conduit knockout is located on the side of the control box.
6. 28 cubic ft storage tank weight: 2334 lb (1059 kg).
7. 52 cu ft storage tank weight: 3414 lb (1549 kg).



**DIMENSIONS  
ENGLISH (ft.-in.)**

TANK SIZE	A	B	C	D	E	F	G	H	J	K
0428	10- 5	9-10	4-4 <sup>1</sup> / <sub>4</sub>	2-4 <sup>3</sup> / <sub>4</sub>	1-2 <sup>3</sup> / <sub>8</sub>	3-1 <sup>1</sup> / <sub>4</sub>	6-4 <sup>3</sup> / <sub>16</sub>	3-11 <sup>3</sup> / <sub>8</sub>	3-4 <sup>7</sup> / <sub>8</sub>	2-9 <sup>9</sup> / <sub>16</sub>
0452	14-11 <sup>1</sup> / <sub>4</sub>	14- 4 <sup>1</sup> / <sub>2</sub>	4-8 <sup>1</sup> / <sub>4</sub>	2-8 <sup>1</sup> / <sub>2</sub>	1-4 <sup>1</sup> / <sub>4</sub>	3-4 <sup>1</sup> / <sub>2</sub>	7-2 <sup>1</sup> / <sub>4</sub>	4- 3 <sup>1</sup> / <sub>4</sub>	3-8 <sup>3</sup> / <sub>4</sub>	3-1 <sup>7</sup> / <sub>16</sub>

TANK SIZE	L	M	N	P	R	S	T	U	V	W
0428	3-4 <sup>5</sup> / <sub>8</sub>	0-3 <sup>1</sup> / <sub>2</sub>	4- 9 <sup>1</sup> / <sub>2</sub>	1-7 <sup>7</sup> / <sub>8</sub>	2-0 <sup>3</sup> / <sub>8</sub>	3-9	5-0 <sup>1</sup> / <sub>4</sub>	2-5	2-9 <sup>7</sup> / <sub>8</sub>	2-5 <sup>3</sup> / <sub>4</sub>
0452	3-8 <sup>1</sup> / <sub>2</sub>	0-3 <sup>3</sup> / <sub>8</sub>	6-11 <sup>5</sup> / <sub>8</sub>	1-8 <sup>3</sup> / <sub>4</sub>	2-0 <sup>5</sup> / <sub>8</sub>	4-1	5-0 <sup>1</sup> / <sub>2</sub>	2-5 <sup>1</sup> / <sub>4</sub>	2-10 <sup>1</sup> / <sub>8</sub>	2-6

**SI (mm)**

TANK SIZE	A	B	C	D	E	F	G	H	J	K
0428	3175	2997	1327	730	365	946	1935	1203	1038	852
0452	4553	4381	1429	826	413	1029	2191	1302	1137	951

TANK SIZE	L	M	N	P	R	S	T	U	V	W
0428	1032	89	1451	505	619	1143	1530	737	860	756
0452	1130	86	2124	527	625	1225	1537	742	867	762

LEFT SIDE VIEW

**Fig. 30 — Optional Pumpout Unit and Storage Tank**

RATED DRY WEIGHT AND REFRIGERANT CAPACITY

ENGLISH (lb)

TANK SIZE	TANK OD (in.)	DRY WEIGHT* (lb)	R-134a MAXIMUM REFRIGERANT CAPACITY (lb)	
			ANSI/ASHRAE 15	UL 1963
0428	24.00	2334	1860	1716
0452	27.25	3414	3563	3286

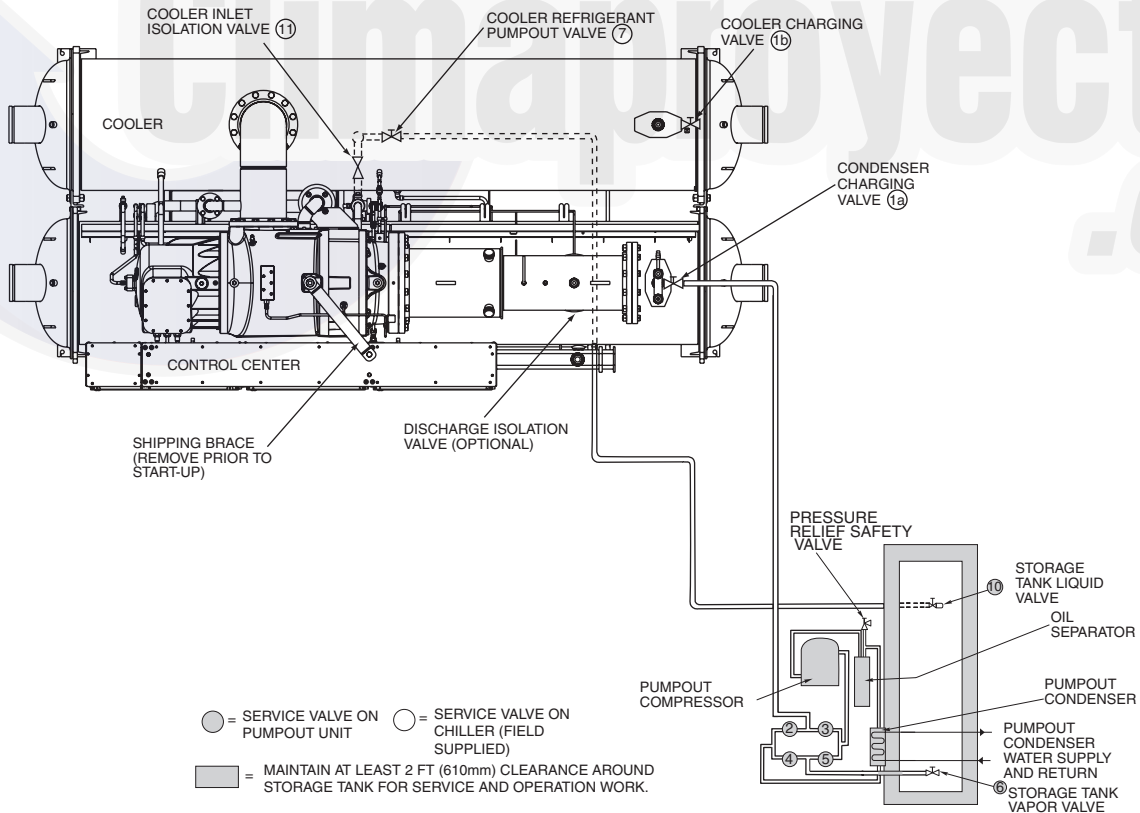
SI (kg)

TANK SIZE	TANK OD (mm)	DRY WEIGHT* (kg)	R-134a MAXIMUM REFRIGERANT CAPACITY (kg)	
			ANSI/ASHRAE 15	UL 1963
0428	610	1059	844	778
0452	692	1549	1616	1491

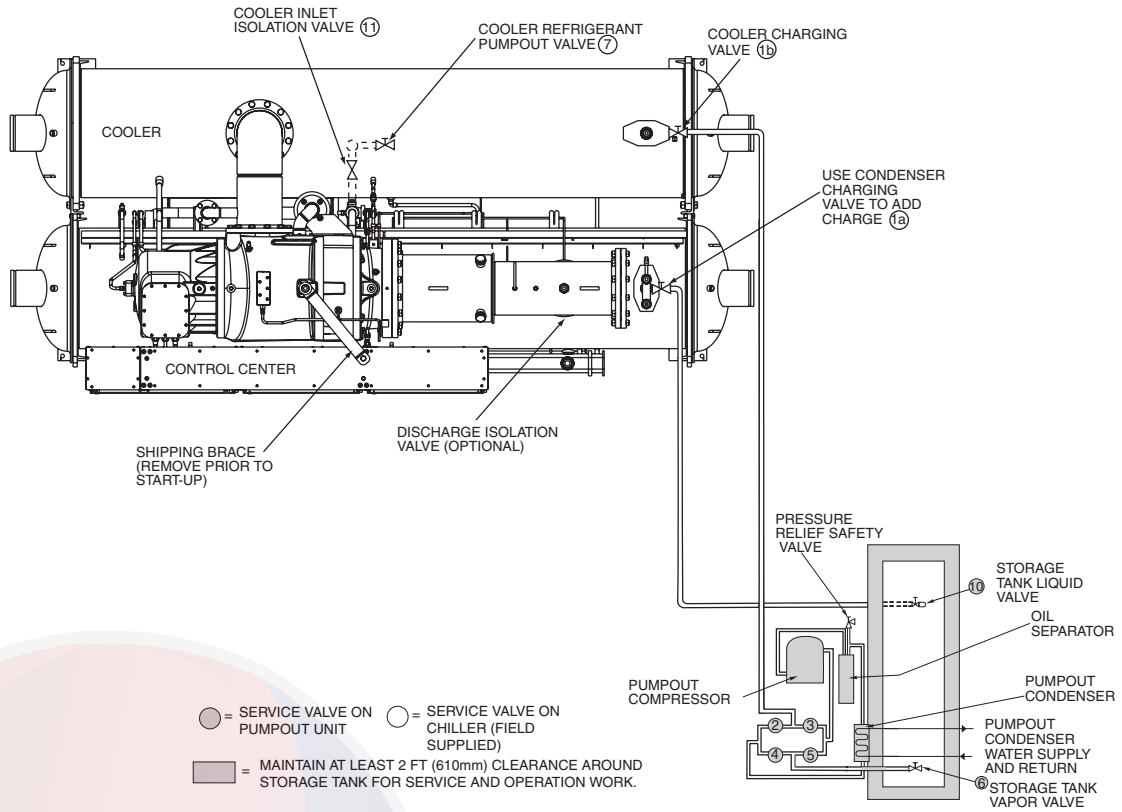
LEGEND

- ANSI** — American National Standard Institute
- ASHRAE** — American Society of Heating, Refrigeration, and Air Conditioning Engineers
- OD** — Outside Diameter
- UL** — Underwriters Laboratories

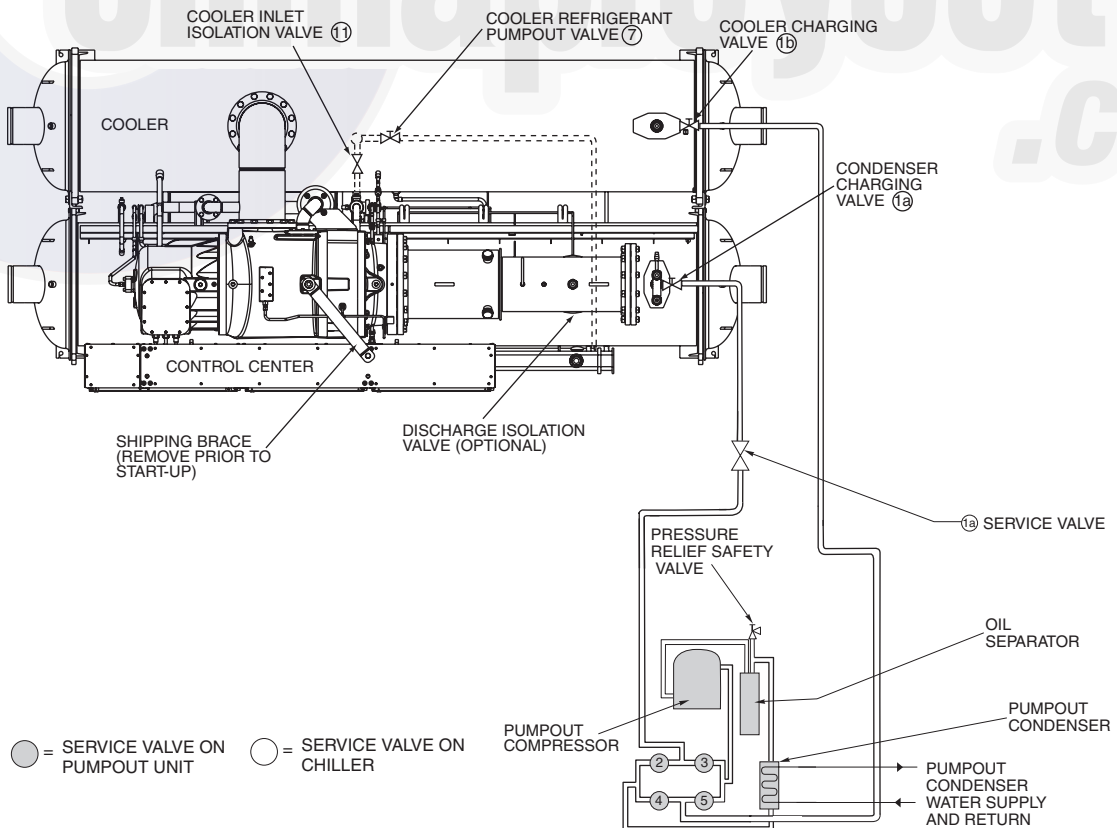
\*The above dry weight includes the pumpout condensing unit weight of 164 lb (75 kg).



**Fig. 31 — Optional Pumpout System Piping Schematic with Storage Tank (Configured to Push Liquid into Storage Tank)**



**Fig. 32 — Optional Pumpout System Piping Schematic with Storage Tank (Configured to Pull Vapor out of Chiller or to Charge Chiller from Storage Tank)**



**Fig. 33 — Optional Pumpout System Piping Schematic without Storage Tank (Configured to Store Refrigerant in Cooler or Condenser)**

**Table 9A — HFC-134a Pressure — Temperature (F)**

TEMPERATURE, F	PRESSURE (psig)
0	6.50
2	7.52
4	8.60
6	9.66
8	10.79
10	11.96
12	13.17
14	14.42
16	15.72
18	17.06
20	18.45
22	19.88
24	21.37
26	22.90
28	24.48
30	26.11
32	27.80
34	29.53
36	31.32
38	33.17
40	35.08
42	37.04
44	39.06
46	41.14
48	43.28
50	45.48
52	47.74
54	50.07
56	52.47
58	54.93
60	57.46
62	60.06
64	62.73
66	65.47
68	68.29
70	71.18
72	74.14
74	77.18
76	80.30
78	83.49
80	86.17
82	90.13
84	93.57
86	97.09
88	100.70
90	104.40
92	108.18
94	112.06
96	116.02
98	120.08
100	124.23
102	128.47
104	132.81
106	137.25
108	141.79
110	146.43
112	151.17
114	156.01
116	160.96
118	166.01
120	171.17
122	176.45
124	181.83
126	187.32
128	192.93
130	198.66
132	204.50
134	210.47
136	216.55
138	222.76
140	229.09

**Table 9B — HFC-134a Pressure — Temperature (C)**

TEMPERATURE, C	PRESSURE (kPa)
-18.0	44.8
-16.7	51.9
-15.6	59.3
-14.4	66.6
-13.3	74.4
-12.2	82.5
-11.1	90.8
-10.0	99.4
-8.9	108.0
-7.8	118.0
-6.7	127.0
-5.6	137.0
-4.4	147.0
-3.3	158.0
-2.2	169.0
-1.1	180.0
0.0	192.0
1.1	204.0
2.2	216.0
3.3	229.0
4.4	242.0
5.0	248.0
5.6	255.0
6.1	261.0
6.7	269.0
7.2	276.0
7.8	284.0
8.3	290.0
8.9	298.0
9.4	305.0
10.0	314.0
11.1	329.0
12.2	345.0
13.3	362.0
14.4	379.0
15.6	396.0
16.7	414.0
17.8	433.0
18.9	451.0
20.0	471.0
21.1	491.0
22.2	511.0
23.3	532.0
24.4	554.0
25.6	576.0
26.7	598.0
27.8	621.0
28.9	645.0
30.0	669.0
31.1	694.0
32.2	720.0
33.3	746.0
34.4	773.0
35.6	800.0
36.7	828.0
37.8	857.0
38.9	886.0
40.0	916.0
41.1	946.0
42.2	978.0
43.3	1010.0
44.4	1042.0
45.6	1076.0
46.7	1110.0
47.8	1145.0
48.9	1180.0
50.0	1217.0
51.1	1254.0
52.2	1292.0
53.3	1330.0
54.4	1370.0
55.6	1410.0
56.7	1451.0
57.8	1493.0
58.9	1536.0
60.0	1580.0

**Chiller Dehydration** — Dehydration is recommended if the chiller has been open for a considerable period of time, if the chiller is known to contain moisture, or if there has been a complete loss of chiller holding charge or refrigerant pressure.

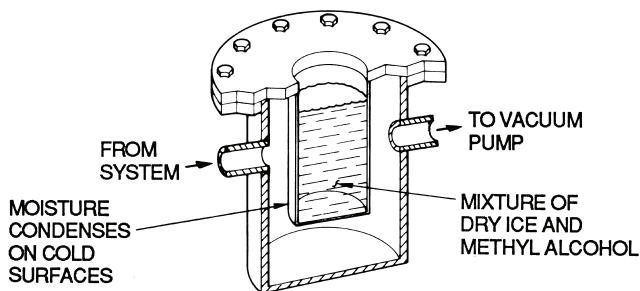
**▲ CAUTION**

Do not start or megohm-test the compressor motor, even for a rotation check, if the chiller is under dehydration vacuum. Insulation breakdown and severe damage may result.

Dehydration can be done at room temperatures. Using a cold trap (Fig. 34) may substantially reduce the time required to complete the dehydration. The higher the room temperature, the faster dehydration takes place. At low room temperatures, a very deep vacuum is required to boil off any moisture. If low ambient temperatures are involved, contact a qualified service representative for the dehydration techniques required.

Perform dehydration as follows:

1. Disconnect power from the VFD before placing the chiller under a vacuum.
2. Connect a high capacity vacuum pump (5 cfm [.002 m<sup>3</sup>/s] or larger is recommended) to the cooler or condenser charging valve (Fig. 2 and 3). Tubing from the pump to the chiller should be as short in length and as large in diameter as possible to provide least resistance to gas flow.
3. Use an absolute pressure manometer or a wet bulb vacuum indicator to measure the vacuum. Open the shutoff valve to the vacuum indicator only when taking a reading. Leave the valve open for 3 minutes to allow the indicator vacuum to equalize with the chiller vacuum.
4. If the entire chiller is to be dehydrated, open all isolation valves (if present).
5. With the chiller ambient temperature at 60 F (15.6 C) or higher, operate the vacuum pump until the manometer reads 29.8 in. Hg vacuum, referenced to 30 inches of mercury barometric pressure (0.1 psia) (-100.6 kPa) or a vacuum indicator reads 35 F (1.7 C). Operate the pump an additional 2 hours.  
Do not apply a greater vacuum than 29.82 in. Hg vac (757.4 mm Hg) or go below 33 F (.56 C) on the wet bulb vacuum indicator. At this temperature and pressure, isolated pockets of moisture can turn into ice. The slow rate of evaporation (sublimation) of ice at these low temperatures and pressures greatly increases dehydration time.
6. Valve off the vacuum pump, stop the pump, and record the instrument reading.
7. After a 2-hour wait, take another instrument reading. If the reading has not changed, dehydration is complete. If the reading indicates vacuum loss, repeat Steps 4 and 5.



**Fig. 34 — Dehydration Cold Trap**

8. If the reading continues to change after several attempts, perform a leak test up to the maximum 160 psig (1103 kPa) pressure. Locate and repair the leak, and repeat dehydration.

**Inspect Liquid Piping** — Refer to piping diagrams provided in the certified drawings and the piping instructions in the 23XRV Installation Instructions manual. Inspect the piping to the cooler and condenser. Be sure that the flow directions are correct and that all piping specifications have been met.

Piping systems must be properly vented with no stress on waterbox nozzles and covers. Liquid flows through the cooler and condenser must meet job requirements. Measure the pressure drop across the cooler and the condenser.

**▲ CAUTION**

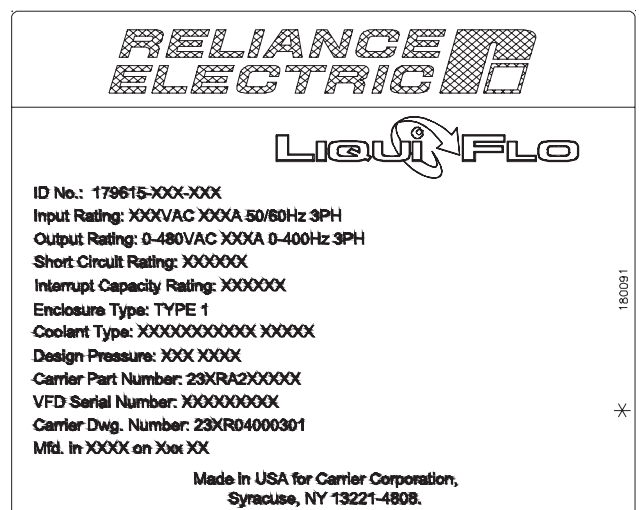
Liquid must be clean and treated to ensure proper chiller performance and to reduce the potential of tube damage due to corrosion, scaling, or erosion. Carrier assumes no responsibility for chiller damage resulting from untreated or improperly treated cooler or condenser liquid.

**Check Optional Pumpout Compressor Liquid Piping** — If the optional pumpout storage tank and/or pumpout system are installed, check to ensure the pumpout condenser liquid has been piped in. Check for field-supplied shutoff valves and controls as specified in the job data. Check for refrigerant leaks on field-installed piping. See Fig. 30-33.

**Check Relief Valves** — Be sure the relief valves have been piped to the outdoors in compliance with the latest edition of ANSI/ASHRAE Standard 15 and applicable local safety codes. Piping connections must allow for access to the valve mechanism for periodic inspection and leak testing.

The 23XRV relief valves are set to relieve at the 185 psig (1276 kPa) chiller design pressure.

**Identify the VFD** — The LiquiFlo™ 2.0 AC drive is a PWM (Pulse Width Modulated), liquid-cooled drive that provides vector and general purpose regulation for a wide range of applications. Identify the drive from the Drive Part Number on the drive's nameplate and the model number matrix in Fig. 35 and 36.



**Fig. 35 — VFD Nameplate**

**LIQUIFLO** C **RELIANCE** **ELECTRIC** **US**

MODEL # LF200608CCR

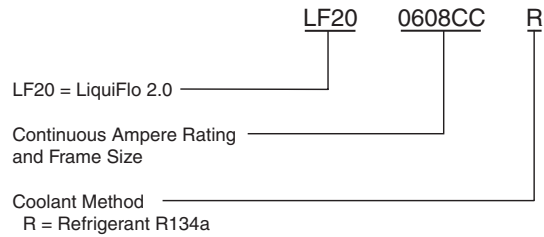
	KVA	VOLTS	A	PH	HZ
AC INPUT	505	346-480	608	3	50/60
AC OUTPUT	505	0-480	608	3	0-250

SHORT CIRCUIT RATING: 100,000 A RMS SYM

ENCLOSURE TYPE: OPEN CHASSIS  
 COOLANT TYPE: R134a  
 DESIGN PRESSURE: 185 PSIG

**RELIANCE ELECTRIC** Mfd. in 2005 on Apr 08  
 Made in U.S.A. (FAC. 1C)

MODEL NUMBER



**Fig. 36 — Identifying the Drive Model Number**

**⚠ WARNING**

DC bus capacitors retain hazardous voltage after input power has been disconnected. After disconnecting input power, wait 5 minutes for the DC bus capacitors to discharge and then check the voltage with a voltmeter to ensure the DC capacitors are completely discharged before touching any internal components. Failure to observe this precaution could result in severe bodily injury or loss of life.

**⚠ WARNING**

The drive can operate at and maintain zero speed. The user is responsible for assuring safe conditions for operating personnel by providing suitable guards, audible or visual alarms, or other devices to indicate that the drive is operating or may operate at zero speed. Failure to observe this precaution could result in severe bodily injury or loss of life.

**⚠ CAUTION**

The drive contains ESD (Electrostatic Discharge) sensitive parts and assemblies. Static control precautions are required when installing, testing, servicing, or repairing the drive. Erratic machine operation and damage to, or destruction of equipment can result if this procedure is not followed.

The control center is designed to operate in the following environmental conditions:

CONDITION	SPECIFICATION
<b>Ambient Temperature (outside NEMA 1 enclosure)</b>	32 to 122 F (0° to 50 C)
<b>Storage Temperature (ambient)</b>	-40 to 149 F (-40 to 65 C)
<b>Humidity</b>	5% to 95% (non-condensing)

**IDENTIFYING THE DRIVE BY PART NUMBER** — Each AC drive can be identified by its assembly number. See Fig. 36. This number appears on the shipping label and on the drive's nameplate. LiquiFlo 2.0 AC drives comprise an input components section and a power module section.

Each LiquiFlo™ 2.0 AC power module can be identified by its model number. See Fig. 36. This number appears on the shipping label and on the power module's nameplate. Power ratings are provided in Table 10.

**Table 10 — Drive Assembly and Power Module Ratings**

PART NUMBER	FRAME SIZE	ENCLOSURE RATING	NAMEPLATE INPUT VOLTAGE (V)	MAX INPUT CURRENT (AMPS)	MAX OUTPUT CURRENT* AT 4 kHz (AMPS)
<b>23XRA2AA</b>	AA	NEMA 1	380, 400, 416, 460 ±10%	440	442
<b>23XRA2BA</b>	BA			520	442
<b>23XRA2BB</b>	BB			520	520
<b>23XRA2CC</b>	CC			608	608

\*110% output current capability for 1 minute. 150% output current capability for 5 sec.



## Check Control Center

### ⚠ CAUTION

BE AWARE that certain automatic start arrangements *can engage the VFD*. Open the disconnect *ahead* of the control center in addition to shutting off the chiller or pump.

### ⚠ CAUTION

The main disconnect on the control center may not deenergize all internal circuits. Open all internal and remote disconnects before servicing the starter.

**Input Power Wiring** — All wiring should be installed in conformance with applicable local, national, and international codes. Use grommets, when hubs are not provided, to guard against wire chafing.

Use the following steps to connect AC input power to the main input circuit breaker and ground leads to the ground lug.

1. Turn off, lockout, and tag the input power to the drive.
2. Remove the input power wiring panel from the top of the control center and drill the required number of openings in the input power wiring panel. Take care that metal chips do not enter the VFD enclosure.
3. Wire the AC input power leads and ground leads by routing them through the opening in the top of the control center to the main input circuit breaker.

### ⚠ CAUTION

Do not route control wiring carrying 30 v or less within a conduit carrying 50 v or higher. Failure to observe this precaution could result in electromagnetic interference in the control wiring.

4. Connect the three-phase AC input power leads (per job specification) to the appropriate input terminals of the circuit breaker.
5. Tighten the AC input power terminals and lugs to the proper torque as specified on the input circuit breaker.
6. Connect and tighten the ground leads to the ground lug.

**Checking the Installation** — Use the following instructions to verify the condition of the installation:

1. Turn off, lockout, and tag the input power to the drive. Wait a minimum of 5 minutes for the DC bus to discharge.
2. Verify that there is no voltage at the input terminals (L1, L2 and L3) of the power module or main circuit breaker.
3. Verify that the status LEDs on the DPI Communications Interface Board are not lit. The location of the DPI Communications Interface Board is shown in Fig. 13.
4. Remove any debris, such as metal shavings, from the enclosure.
5. Check that there is adequate clearance around the machine.
6. Verify that the wiring to the terminal strip and the AC input power terminals is correct. Verify that all of the VFD power module circuit board connectors are fully engaged and secured in place.
7. Check that the wire size is within terminal specifications and that the wires are tightened properly.
8. Check that specified branch circuit protection is installed and correctly rated.

9. Check that the incoming power is within  $\pm 10\%$  of chiller nameplate voltage.
10. All wiring should be installed in conformance with the applicable local, national, and international codes (for example, NEC/CEC). Verify that a properly sized ground wire is installed and a suitable earth ground is used. Check for and eliminate any grounds between the power leads. Verify that all ground leads are unbroken.

## Inspect Wiring

### ⚠ WARNING

Do not check the voltage supply without proper equipment and precautions. Serious injury may result. Follow power company recommendations.

### ⚠ CAUTION

Do not apply any kind of test voltage, even for a rotation check, if the chiller is under a dehydration vacuum. Insulation breakdown and serious damage may result.

1. Examine the wiring for conformance to the job wiring diagrams and all applicable electrical codes. Confirm that there is at least a 6 in. clearance surrounding the control center louvers. Use an inspection mirror to visually inspect the top of the power module to confirm that no debris has fallen inside of it.
2. Connect a voltmeter across the power wires to the VFD and measure the phase to phase and phase to ground voltage. Compare this reading to the voltage rating on the compressor and starter nameplates.
3. Compare the ampere ratings on the Machine Electrical Data Nameplate. LOCKED ROTOR AMPS should be equal to RATED LINE AMPS. OVERLOAD TRIP AMPS should be equal to 1.08 X RATED LINE AMPS.
4. The control center must be wired to components and terminals required for PIC III refrigeration control. Check line side power and for control components shown on the Certified Prints. The control center must share control of cooler and condenser liquid pumps and cooling tower fans.
5. Check the phase to phase and phase to ground line voltage to the optional pumpout compressor. Compare voltages against nameplate values. Refer to Fig. 37.
6. Ensure that fused disconnects or circuit breakers have been supplied to the control center and optional pumpout unit.
7. Ensure all electrical equipment and controls are properly grounded in accordance with the job drawings, certified drawings, and all applicable electrical codes.
8. Ensure the customer's contractor has verified proper operation of the pumps, cooling tower fans, and associated auxiliary equipment. This includes ensuring motors are properly lubricated and have proper electrical supply and proper rotation.
9. Tighten all wiring connections on the high and low voltage terminal blocks in the control center enclosure above and below the control panel.
10. Inspect the control panel in the control center enclosure to ensure that the contractor has used the knockouts to feed the wires into the back of the control panel. Wiring through the top of the control center can cause debris to fall into the power module. Clean and inspect the interior of the control center if this has occurred. Contact Carrier Service before applying power if debris may have fallen inside of the power module.


 <b>Carrier</b> A United Technologies Company	
MODEL NUMBER	
SERIAL NUMBER	
<b>MACHINE NAMEPLATE SUPPLY DATA</b>	
VOLTS/PHASE/HERTZ	
LOCKED ROTOR AMPS	
OVERLOAD TRIP AMPS	
MAX FUSE/CIRCUIT BREAKER SIZE	
MIN SUPPLY CIRCUIT AMPACITY	
<b>MACHINE ELECTRICAL DATA</b>	
MOTOR NAMEPLATE VOLTAGE	480V
COMPRESSOR 100% SPEED	
RATED LINE VOLTAGE	
RATED LINE AMPS	
RATED LINE KILOWATTS	
MOTOR RATED LOAD KW	
MOTOR RATED LOAD AMPS	
MOTOR NAMEPLATE AMPS	
MOTOR NAMEPLATE RPM	
MOTOR NAMEPLATE KW	
INVERTER PWM FREQUENCY	
<b>CONTROLS, OIL PUMP AND HEATER DATA</b>	
CONTROLS, OIL PUMP AND HEATER CIRCUIT	115V
MAX FUSE SIZE	15A
MIN CIRCUIT AMPACITY	15A
OIL PUMP	115V, 1.48A
OIL SUMP HEATER	115V, 4.35A, 500W
OIL VAPORIZER HTR CIRCUIT	115V
MAX FUSE SIZE	15A
MIN CIRCUIT AMPACITY	15A
OIL VAPORIZER HEATER	115V, 13.04A, 1500W
CARRIER CHARLOTTE 9701 OLD STATESVILLE ROAD CHARLOTTE, NORTH CAROLINA 28269 PRODUCTION YEAR 20XX <small>23XR05003001 REV. 4.0</small>	

Fig. 37 — Machine Electrical Data Nameplate

### ⚠ WARNING

Do not apply power unless a qualified Carrier technician is present. Electrical shock could cause serious personal injury or death.

- Apply power to the control center. Go to the ICVC and access the MENU>SERVICE>VFD CONFIG DATA>VFD\_CONF screen. Confirm that the parameters entered in VFD\_CONF match the information on the Machine Nameplate and Sales Requisition. Confirm that the serial numbers on the chiller, Machine Nameplate, and Sales Requisition are consistent.

**Ground Fault Troubleshooting** — Use this procedure only if ground faults are declared:

### ⚠ CAUTION

Disconnect the motor leads from the control center before a motor insulation test is performed. The voltage generated from the testing equipment will damage the VFD.

Test the compressor motor and its power lead insulation resistance with a 500 V insulation tester such as a megohmmeter. With the tester connected to the motor leads, take 10 second and 60 second megaohm readings as follows:

- Tie terminals 1, 2, and 3 together and test between the grouped motor terminals and ground.

- Divide the 60-second resistance reading by the 10-second reading. The ratio, or polarization index, must be one or higher. Both the 10 and 60-second readings must be at least 50 megohms.
- If the readings are unsatisfactory, repeat the test with the motor leads disconnected from the motor. Satisfactory readings in this second test indicate the fault is in the power leads.

**Carrier Comfort Network® Interface** — The Carrier Comfort Network (CCN) communication bus wiring is supplied and installed by the electrical contractor. It consists of shielded, 3-conductor cable with drain wire.

The system elements are connected to the communication bus in a daisy chain arrangement. The positive pin of each system element communication connector must be wired to the positive pins of the system element on either side of it. The negative pins must be wired to the negative pins. The signal ground pins must be wired to the signal ground pins. See the 23XRV Installation Instructions.

NOTE: Conductors and drain wire must be 20 AWG (American Wire Gage) minimum stranded, tinned copper. Individual conductors must be insulated with PVC, PVC/nylon, vinyl, Teflon, or polyethylene. An aluminum/polyester 100% foil shield and an outer jacket of PVC, PVC/nylon, chrome vinyl, or Teflon with a minimum operating temperature range of -4 F to 140 F (-20 C to 60 C) is required. See table below for cables that meet the requirements.

MANUFACTURER	CABLE NO.
Alpha	2413 or 5463
American	A22503
Belden	8772
Columbia	02525

When connecting the CCN communication bus to a system element, a color code system for the entire network is recommended to simplify installation and checkout. The following color code is recommended:

SIGNAL TYPE	CCN BUS CONDUCTOR INSULATION COLOR	ICVC PLUG J1 PIN NO.
+	Red	1
Ground	White or Clear	2
-	Black	3

**Power Up the Controls and Check the Oil Heater** — Ensure that an oil level is visible in the oil sump before energizing the controls. A separate 15A Control Power Circuit Breaker in the control center energizes the oil heater and the control circuit. When first powered, the ICVC should display the default screen within a short period of time.

The oil heater is energized when power is applied to the control circuit. This should be done several hours before start-up to minimize oil-refrigerant migration. The oil heater is controlled by the PIC III and is powered through a contactor on the power panel. This arrangement allows the heater to energize when the main motor circuit breaker is off for service work or extended shutdowns. The oil heater relay status (*OIL HEATER RELAY*) can be viewed on the COMPRESS table on the ICVC. Oil sump temperature can be viewed on the ICVC default screen.

**SOFTWARE VERSION** — The software part number is labeled on the backside of the ICVC module. The software version also appears on the ICVC CONFIGURATION screen as the last two digits of the software part number.

## Software Configuration

### **⚠ WARNING**

Do not operate the chiller before the control configurations have been checked in the ICVC and a Control Test has been satisfactorily completed. Protection by safety controls cannot be assumed until all control configurations have been confirmed.

As the 23XRV unit is configured, all configuration settings should be written down. A log, such as the one shown on pages CL-1 to CL-11, provides a convenient list for configuration values.

It is recommended that all control configuration tables be uploaded via service tool and stored for reference when the software configuration is complete.

**Input the Design Set Points** — Access the ICVC SET POINT screen and view/modify the BASE DEMAND LIMIT set point, and *either* the LCL SET POINT or the ECL SET POINT. The PIC III can control a set point to either the leaving or entering chilled liquid. This control method is set in the EQUIPMENT SERVICE (TEMP\_CTL) table. The default setting of ECL CONTROL OPTION is DSABLE so the PIC III will control the leaving chilled liquid temperature.

**Input the Local Occupancy Schedule (OCCPC01S)** — Access the schedule OCCPC01S screen on the ICVC and set up the occupied time schedule according to the customer's requirements. If no schedule is available, the default is factory set for 24 hours occupied, 7 days per week including holidays.

For more information about how to set up a time schedule, see the Time Schedule Operation section, page 21.

The CCN Occupied Schedule (OCCPC03S) should be configured if a CCN system is being installed or if a secondary time schedule is needed.

NOTE: The default CCN Occupied Schedule OCCPC03S is configured to be unoccupied.

**Input Service Configurations** — The following configurations require the ICVC screen to be in the SERVICE portion of the menu.

- CONTROL TEST
- EQUIPMENT CONFIGURATION
- VFD CONFIG DATA
- EQUIPMENT SERVICE
- TIME AND DATE
- ICVC CONFIGURATION (PASSWORD)

**PASSWORD** — When accessing the SERVICE tables, a password must be entered. All ICVC are initially set for a password of 1-1-1-1.

**INPUT TIME AND DATE** — Access the TIME AND DATE table on the SERVICE menu. Input the present time of day, date, and day of the week. The *HOLIDAY* parameter should only be configured to YES if the present day is a holiday.

NOTE: Because a schedule is integral to the chiller control sequence, the chiller will not start until the time and date have been set.

**CHANGE ICVC CONFIGURATION IF NECESSARY** — From the SERVICE table, access the ICVC CONFIGURATION screen. From there, view or modify the ICVC CCN address, change to US Imperial (English) or Metric (SI) units, LID Language, and change the password. If there is more than one chiller at the jobsite, change the ICVC CCN address on each chiller so that each chiller has its own address. Note and record the new address. Change the screen to Metric (SI) units as required, and change the ICVC password if desired.

**TO CHANGE THE PASSWORD** — The password may be changed from the ICVC CONFIGURATION screen.

1. Press the **[MENU]** and **[SERVICE]** softkeys. Enter the current password and highlight ICVC CONFIGURATION. Press the **[SELECT]** softkey. Only the last 6 entries on the ICVC CONFIG screen can be changed: *BUS #, ADDRESS #, BAUD RATE, US IMP/METRIC, PASSWORD, and LID LANGUAGE.*
2. Use the **[ENTER]** softkey to scroll to *PASSWORD*. The first digit of the password is highlighted on the screen.
3. To change the digit, press the **[INCREASE]** or **[DECREASE]** softkey. When the desired digit is seen, press the **[ENTER]** softkey.
4. The next digit is highlighted. Change it, and the third and fourth digits in the same way the first was changed.
5. After the last password digit is changed, the ICVC goes to the *LID LANGUAGE* parameter. Press the **[EXIT]** softkey to leave that screen and return to the SERVICE menu.

### **⚠ CAUTION**

Be sure to remember the password. Retain a copy for future reference. Without the password, access to the SERVICE menu will not be possible unless the ICVC\_PWD menu on the STATUS screen is accessed by a Carrier representative.

**TO CHANGE THE ICVC DISPLAY FROM ENGLISH TO METRIC UNITS** — By default, the ICVC displays information in English units. To change to metric units, access the ICVC CONFIGURATION screen:

1. Press the **[MENU]** and **[SERVICE]** softkeys. Enter the password and highlight ICVC CONFIGURATION. Press the **[SELECT]** softkey.
2. Use the **[ENTER]** softkey to scroll to *US imp* or *METRIC*.
3. Press the softkey that corresponds to the units desired for display on the ICVC (e.g., US imp or METRIC).

**MODIFY CONTROLLER IDENTIFICATION IF NECESSARY** — The ICVC module address can be changed from the ICVC CONFIGURATION screen. Change this address for each chiller if there is more than one chiller at the jobsite. Write the new address on the ICVC module for future reference.

**INPUT EQUIPMENT SERVICE PARAMETERS IF NECESSARY** — The EQUIPMENT SERVICE table has six service tables:

1. OPTIONS
2. SETUP1
3. SETUP2
4. LEADLAG
5. RAMP\_DEM
6. TEMP\_CTL

**Check VFD\_CONFIG TABLE** — Enter the VFD\_CONF screen on the ICVC by entering the following screen sequence:

- MENU
- SERVICE
- Password (default 1111)
- VFD CONFIG DATA
- Password (default 4444)
- VFD\_CONF

Confirm that the following parameters in the VFD\_CONF screen match the values on the Machine Electrical Data Nameplate (see Fig. 37):

- Motor Nameplate Voltage — Voltage required to run at motor rating.
- Compressor 100% Speed — Compressor speed required to run at chiller design point.
- Rated Line Voltage — Nominal line voltage selected for the job site.
- Rated Line Amps — Line current required for the chiller to run at the design point.
- Rated Line Kilowatts — Line power required for the chiller to run at the design point.
- Motor Rated Load kW — Power consumed by the motor when running at the chiller design point.
- Motor Rated Load Amps — Motor current required for the chiller to run at the design point.
- Motor Nameplate Amps — Motor nameplate full load amps.
- Motor Nameplate RPM — Rated speed of the motor when running at motor nameplate rated frequency, rated current, and rated voltage.
- Motor Nameplate kW — Motor nameplate rated power.
- Inverter PWM Frequency — Sets the carrier frequency for the pulse width modulation output.

NOTE: Other parameters on these screens are normally left at the default settings; however, they may be changed by the operator as required. The voltage and current imbalance level and imbalance persistence time on the VFD\_CONF table can be adjusted to increase or decrease the sensitivity of these fault conditions. Increasing time or persistence decreases sensitivity. Decreasing time or persistence increases sensitivity to the fault condition.

Modify Minimum and Maximum Load Points (HGBP DELTA T1/ HGBP DELTA P1, HGBP DELTA T2/ HGBP DELTA P2) If Necessary — The default settings of the stall prevention parameters in the OPTIONS screen are set so the optional HGBP will not be energized during normal operating conditions. In addition to stall prevention, hot gas bypass may be useful for preventing excessive recycle restarts and maintaining temperature control in response to rapid load changes at low compressor speed. The chiller needs only to close the optional hot gas bypass valve to increase capacity when the chiller is running at low load with hot gas bypass active. It takes a few minutes for the chiller to start if it has shut down in recycle restart mode.

When HGBP option is set to 1, hot gas bypass operation can be adjusted for minimum chiller load and lift control. The HGBP DELTA T1/HGBP DELTA P1, HGBP DELTA T2/ HGBP DELTA P2 parameters in the OPTIONS screen determine when the optional hot gas bypass valve will open and close. These points should be set based on individual chiller operating conditions.

An example of such a configuration is shown below.

Refrigerant: HCFC-134a

*Estimated Minimum Load Conditions:*

- 44 F (6.7 C) LCL
- 45.5 F (7.5 C) ECL
- 43 F (6.1 C) Suction Temperature
- 70 F (21.1 C) Condensing Temperature

*Estimated Maximum Load Conditions:*

- 44 F (6.7 C) LCL
- 54 F (12.2 C) ECL
- 42 F (5.6 C) Suction Temperature
- 98 F (36.7 C) Condensing Temperature

Calculate Maximum Load — To calculate the minimum load points, use data from the sales requisition or estimate the chilled liquid delta T based on a percentage of full load where

the HGBP should be energized. The minimum condensing pressure can be based on the entering condenser liquid temperature available at minimum load. Use the proper saturated pressure and temperature for R-134a.

Suction Temperature:

$$43 \text{ F (6.1 C)} = 38 \text{ psig (262 kPa) saturated refrigerant pressure (R-134a)}$$

Condensing Temperature:

$$70 \text{ F (21.1 C)} = 71 \text{ psig (490 kPa) saturated refrigerant pressure (R-134a)}$$

Minimum Load HGBP DELTA T1 (at 15% load):

$$0.15 \times (54-44) = 1.5^\circ \text{ F (0.15} \times (12.2 - 6.7) = 0.8^\circ \text{ C)}$$

Minimum Load HGBP DELTA P1:

$$71 - 38 = 33 \text{ psid (490 - 262 = 228 kPa)}$$

Determine HGBP DELTA T2/HGBP DELTA P1:

Set HGBP DELTA T2 equal to 0.1° F larger than HGBP DELTA T1:

$$\text{HGBP DELTA T2} = \text{HGBP DELTA T1} + 0.1 = 1.6^\circ \text{ F (0.8} + 0.06 = 0.9^\circ \text{ C)}$$

Set HGBP DELTA P2 to a large value to create a steep slope (see Fig. 22 and 23) HGBP DELTA P2 = 200 psid (1379 kPa).

If the hot gas bypass is energized too soon or too late:

HGBP ENERGIZED TOO SOON	HGBP ENERGIZED TOO LATE
Decrease HGBP DELTA T1 and HGBP DELTA T2 by 0.5° F (0.3° C)	Increase HGBP DELTA T1 and HGBP DELTA T2 by 0.5° F (0.3° C)

If variable evaporator flow is applied, changes to DELTA T1 proportional to the reduction in evaporator liquid flow rate are required.

The differential pressure ( $\Delta P$ ) and temperature ( $\Delta T$ ) can be monitored during chiller operation by viewing *ACTIVE DELTA P* and *ACTIVE DELTA T* (HEAT\_EX screen). Comparing *HGBP DELTA T* to *ACTIVE DELTA T* will determine when the HGBP valve will open. The smaller the difference between the *HGBP DELTA T* and the *ACTIVE DELTA T* values, the closer to stall prevention or the point at which the HGBP will open.

If the *ACTIVE DELTA T* is less than the *HGBP DELTA T*, the HGBP valve will be activated. The HGBP will be deactivated once the *ACTIVE DELTA T* is greater than the *HGBP DELTA T plus the HGBP DEADBAND* if the *ACTIVE DELTA P* is less than *HGBP DELTA P1*.

When the HGBP option is set to 2, HGBP on DELTA T should be based on the estimated minimum load conditions as was HGBP DELTA T1 in the example above. HGBP OFF DELTA T functions similar to a deadband above the temperature entered in HGBP ON DELTA T as shown in Fig. 23.

MODIFY EQUIPMENT CONFIGURATION IF NECESSARY — The EQUIPMENT SERVICE table has screens to select, view, or modify parameters. Carrier's certified drawings have the configuration values required for the jobsite. Modify these values only if requested.

SERVICE Screen Modifications — Change the values on these screens according to specific job data. See the certified drawings for the correct values. Modifications can include:

- Chilled liquid reset
- Entering chilled liquid control (Enable/Disable)
- 4 to 20 mA demand limit
- Auto restart option (Enable/Disable)
- Remote contact option (Enable/Disable)

Owner-Modified CCN Tables — The following EQUIPMENT CONFIGURATION screens are described for reference only.

**OCCDEFCS** — The OCCDEFCS screen contains the Local and CCN time schedules, which can be modified here or on the SCHEDULE screen as described previously.

**HOLIDAYS** — From the HOLIDAYS screen, the days of the year that holidays are in effect can be configured. See the holiday paragraphs in the Controls section for more details.

**BRODEF** — The BRODEF screen defines the start and end of daylight savings time. By default this feature is enabled. Enter the dates for the start and end of daylight savings if required for your location. Note that for *DAY OF WEEK*, 1 represents Monday. *START WEEK* and *STOP WEEK* refer to the instance of the selected *DAY OF WEEK* during the selected *START MONTH* and year. To disable the feature, change *START ADVANCE* and *STOP BACK* times to 0 (minutes). In the BRODEF table the user may also identify a chiller as the time broadcaster for a CCN network with *TIME BROADCAST ENABLE*. There should be only one device on a CCN network which is designated as the time broadcaster.

**ALARM ROUTING (Fig. 38)** — *ALARM ROUTING* is in the table SERVICE/EQUIPMENT CONFIGURATION/NET\_OPT under the heading Alarm Configuration. ALARM ROUTING consists of an 8-bit binary number. Only bits 1, 2, and 4 (counting from the left) are used. The bits can be set by any device which can access and change configuration tables. If any of these 3 bits is set to 1, the ICVC will broadcast any alarms which occur.

Bit 1: Indicates that the alarm should be read and processed by a front end device, such as a ComfortWORKS® device.

Bit 2: Indicates that the alarm should be read and processed by a TeLINK or Autodial Gateway module.

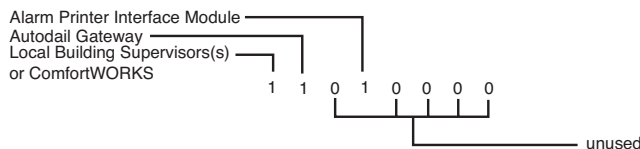
Bit 4: Indicates that the alarm should be read and processed by an alarm printer interface (an optional module), ServiceLink, or a DataLINK™ device.

The RE-ALARM TIME is a time period after which, if a preexisting and previously broadcast alarm has not been cleared, it will be rebroadcast on the CCN network.

**Other Tables** — The CONSUME, NET\_OPT, and RUN-TIME screens contain parameters used with a CCN system. See the applicable CCN manual for more information on these screens. These tables can only be defined from a CCN Building Supervisor.

### ALARM CONTROL ALARM ROUTING

Alarm routing settings should be left at default settings and only be changed by technicians trained in CCN. These settings determine which CCN system elements will receive and process alarms sent by the ICVC. Input for the decision consists of eight digits, each of which can be set to either 0 or 1. Setting a digit to 1 specifies that alarms will be sent to the system element that corresponds to that digit. Setting all digits to 0 disables alarm processing. Digits in this decision correspond to CCN system elements in the following manner:



NOTE: If your CCN does not contain ComfortWORKS® controls or a Building Supervisor, Autodial Gateway, or APIM to serve as an alarm acknowledger, set all digits in this decision to 0 in order to prevent unnecessary activity on the CCN Communication Bus.

Allowable Entries 00000000 to 11111111  
0 = Disabled, 1 = Enabled

Default Value 10000000

**Fig. 38 — Alarm Control and Alarm Routing**

**Perform a Control Test** — Check the safety controls status by performing an automated control test. Access the CONTROL TEST table and select a test to be performed function (see Tables 11 and 12).

The Automated Control Test checks all outputs and inputs for function. The compressor must be in the OFF mode to operate the controls test. The compressor can be put in OFF mode by pressing the STOP push-button on the ICVC. Each test asks the operator to confirm the operation is occurring and whether or not to continue. If an error occurs, the operator can try to address the problem as the test is being done or note the problem and proceed to the next test.

When the control test is finished or the **EXIT** softkey is pressed, the test stops, and the CONTROL TEST menu displays. If a specific automated test procedure is not completed, access the particular control test to test the function when ready. The CONTROL TEST menu is described in Table 11.

**Table 11 — Control Tests**

<b>CCM Thermistors</b>	Check of all thermistors.
<b>CCM Pressure Transducers</b>	Check of all transducers.
<b>Pumps</b>	Checks operation of pump outputs; pumps are activated. Also tests associated inputs such as flow or pressure.
<b>Discrete Outputs</b>	Activation of all on/off outputs individually.
<b>Oil Reclaim Output</b>	Checks CCM 4-20mA oil reclaim output with power removed from oil reclaim actuator.
<b>Head Pressure Output</b>	Manually varies the head pressure output from low voltage field wiring terminal strip.
<b>Pumpdown/ Lockout</b>	Pumpdown prevents the low refrigerant alarm during evacuation so refrigerant can be removed from the unit. Also locks the compressor off and starts the liquid pumps.
<b>Terminate Lockout</b>	To charge refrigerant and enable the chiller to run after pumpdown lockout.

NOTE: During any of the tests, an out-of-range reading will have an asterisk (\*) next to the reading and a message will be displayed.

The *EVAPORATOR PRESSURE*, *CONDENSER PRESSURE*, *DISCHARGE PRESSURE*, and *OIL PRESSURE DELTA P* pressure transducers should be calibrated prior to start-up. If pressure transducers are installed on the waterbox nozzles, *CHILLED LIQUID DELTA P* and *CONDENSER LIQUID DELTA P* transducers should also be calibrated.

### Pressure Transducer and Optional Flow Device Calibration

— Transducers measuring single pressure values (such as *CONDENSER PRESSURE* and *EVAPORATOR PRESSURE*) are calibrated individually, while a pair of transducers measuring a pressure differential (*OIL PRESSURE DELTA P*, *CHILLED LIQUID DELTA P*, or *CONDENSER LIQUID DELTA P*) are calibrated together as a differential. Transducers for sensing liquid side flow are not provided as standard. Oil pressure, refrigerant pressure and liquid delta P readings can be viewed and calibrated from the COMPRESS and HEAT\_EX screens on the ICVC controller. Each transducer or transducer pair can be calibrated at two points: “zero” (0 psig or 0 kPa) and “high end” (between 25 and 250 psig, or between 173 and 1724 kPa). It is good practice to calibrate at initial start-up. Calibration is particularly important at high altitudes to ensure the proper refrigerant temperature-pressure relationship.

**ZERO POINT CALIBRATION** — Shut down the compressor, and cooler and condenser pumps. There must be no water flow through the heat exchangers, but these systems must be filled. For differential pairs, leave the transducers installed. For single value transducers, disconnect the transducer’s electrical cable, remove the sensor from its Schrader fitting, then reconnect the cable.

NOTE: If the cooler or condenser vessels are at 0 psig (0 kPa) or are open to atmospheric pressure, the transducers can be calibrated for the zero point without removal.

Access the HEAT\_EX or COMPRESS screen under the STATUS menu, and view the particular transducer reading (OIL PRESSURE DELTA P is in the COMPRESS screen; all others are in the HEAT\_EX screen). If the displayed reading is not 0 psi (0 kPa), press the SELECT key to highlight the associated line in the display, then the ENTER key. (For zero point calibration, the INCREASE and DECREASE keys have no effect.) The value should change to 0.0.

If the ICVC fails to accept the zero point calibration, the value will not change to 0.0 and the display will show “Higher Force In Effect”. This indicates that the sensor voltage is out of the acceptable range. For each single value transducer there are 3 terminals at the CCM: 0 vdc (low) connected to the black wire, “sensor” voltage connected to the white or clear wire, and 5.00 vdc (high) connected to the red wire. With a base supply voltage of 5.00 volts, the acceptable range of voltage taken between the low (black wire) and sensor terminals (white or clear wire) for zero point calibration is 0.40 to 0.55 v. For each transducer differential pair there are two 3-terminal sets at the CCM. With a base supply voltage of 5.00 volts, the acceptable range of voltage taken between the sensor terminal (white or clear wire) for the higher pressure transducer (liquid inlet or oil pump discharge) and the sensor terminal (white or clear wire) for the lower pressure transducer (liquid outlet or oil sump) for zero point calibration is -0.065 to +0.085 v. If this occurs with a differential pair, one possible remedy is to swap the high end (e.g., inlet) and low end (e.g., outlet) transducers. In most cases this puts the voltage difference of the sensor pair within the acceptable range.

**HIGH END CALIBRATION** — High end calibration can be performed between 25 and 250 psig (173 and 1724 kPa), comparing the pressure readings in the ICVC display to an accurate refrigeration gage. High end calibration may improve transducer accuracy over the full pressure range. High end calibration is not recommended for transducer differential pairs. Pressure can be provided by attaching a regulated 250 psig (1724 kPa) pressure source, such as from a nitrogen cylinder, to the transducer. It is good practice to perform the high end calibration near a pressure that the sensor will typically be exposed to.

Access the HEAT\_EX screen under the STATUS menu, and the CONDENSER PRESSURE or EVAPORATOR PRESSURE to the reference pressure gage. To change the displayed reading, press the SELECT key to highlight the associated line in the display, then the INCREASE or DECREASE key to set the new value, then the ENTER key. Generally, the value can be changed to any value within ±15% of a nominal value.

**NOTE:** Prior calibrations may have shifted the present pre-calibration value from the center of this range. In this case, the limit of acceptable new values will be less than 15% in one direction.

If the ICVC fails to accept the high end calibration, the value will not change and the display will show “Higher Force In Effect”. This indicates that the sensor voltage is out of the acceptable range for the entered value. In this case, the pressure transducer may need to be replaced.

Each pressure transducer is supplied with 5 vdc power from the CCM through the red wire. Pressure transducer readings are derived from voltage ratio, not absolute voltage, which compensates for any reference voltage variation. If this power supply fails, a transducer voltage reference alarm (239) is generated. If transducer readings are suspected of being faulty, check the supply voltage, measured between the high and low (red wire and black wire) terminals of any transducer 3 terminal connection at the CCM. This is also displayed in CONTROL TEST under PRESSURE TRANSDUCERS.

### Check Optional Pumpout System Controls and Compressor

Controls include an on/off switch, a 0.5-amp fuse for the secondary side of the transformer, 0.25 amp fuses for the primary side of the transformer, the compressor overloads, an internal thermostat, a compressor contactor, refrigerant low pressure cut-out and a refrigerant high pressure cutout. The high pressure cutout is factory set to open at 185 psig (1276 kPa) and reset at 140 psig (965 kPa). The low pressure cutout is factory set to open at 7 psia (-15.7 in. HG) and close at 9 psia (-11.6 in. HG). Ensure the water-cooled condenser has been connected. Ensure oil is visible in the compressor sight glass. Add oil if necessary.

See the Pumpout and Refrigerant Transfer Procedures and Optional Pumpout System Maintenance sections, pages 69 and 78, for details on the transfer of refrigerant, oil specifications, etc.

**High Altitude Locations** — Because the chiller is initially calibrated at sea level, it is necessary to recalibrate the pressure transducers if the chiller has been moved to a high altitude location. See the calibration procedure in the Troubleshooting Guide section.

**Table 12 — Control Test Menu Functions**

TESTS TO BE PERFORMED	DEVICES TESTED
<b>1. Thermistors</b>	Entering Chilled Liquid Leaving Chilled Liquid Entering Cond Liquid Leaving Cond Liquid Evap Refrig Liquid Temp Comp Discharge Temp Oil Sump Temp Vaporizer Temp Comp Motor Winding Temp Spare Temperature 1 Spare Temperature 2 Remote Reset Sensor
<b>2. Pressure Transducers</b>	Evaporator Pressure Condenser Pressure Discharge Pressure Oil Pressure Delta P Chilled Liquid Delta P Condenser Liquid Delta P Transducer Voltage Ref Humidity Sensor Input Relative Humidity
<b>3. Pumps</b>	Operates Pump, Displays Delta P and confirms flow for oil pump, chilled liquid pump and condenser liquid pump.
<b>4. Discrete Outputs</b>	Oil Heater Relay Vaporizer Heater Hot Gas Bypass Relay Tower Fan Relay Low Tower Fan Relay High Alarm Relay VFD Coolant Solenoid Shunt Trip Relay
<b>5. Oil Reclaim Output</b>	Percentage and mA (% and mA)
<b>6. Head Pressure Output</b>	Head Pressure Reference (4-20mA) (The output is 2 mA when the chiller is not running.)
<b>7. Pumpdown Lockout</b>	When using pumpdown/lockout, observe freeze up precautions when removing charge: Instructs operator which valves to close and when. Starts chilled liquid and condenser liquid pumps and requests flow confirmation. Monitors Evaporator pressure Condenser pressure Evaporator temperature during pumpout procedures Turns pumps off after pumpdown. Locks out compressor.
<b>8. Terminate Lockout</b>	Starts pumps and monitors flows. Instructs operator which valves to open and when. Monitors Evaporator pressure Condenser pressure Evaporator temperature during charging process Terminates compressor lockout.

## Charge Refrigerant into Chiller

### ⚠ CAUTION

The transfer, addition, or removal of refrigerant in spring isolated chillers may place severe stress on external piping if springs have not been blocked in both up and down directions. Failure to block springs in both up and down directions could result in severe personal injury and equipment damage.

### ⚠ CAUTION

Always operate the condenser and chilled liquid pumps during charging operations to prevent freeze-ups. Damage may result to equipment if the condenser and chilled water pumps are not operated during pumpdown or charging.

The standard 23XRV chiller is shipped with the refrigerant already charged in the vessels. However, the 23XRV may be ordered with a nitrogen holding charge of 15 psig (103 kPa). In this case, evacuate the nitrogen from the entire chiller, and charge the chiller from refrigerant cylinders.

Chillers shipped with a factory charge should arrive with all isolation valves in the open position. Figures 2, 43, 44 and 45 show the location of the isolation valves listed in the Initial Start-Up Checklist.

### CHILLER EQUALIZATION WITHOUT A PUMPOUT UNIT

### ⚠ WARNING

When equalizing refrigerant pressure on the 23XRV chiller after service work or during the initial chiller start-up, *do not use the discharge isolation valve to equalize*. Either the motor cooling isolation valve or the charging hose (connected between the pumpout valves on top of the cooler and condenser) should be used as the equalization valve.

To equalize the pressure differential on a refrigerant isolated 23XRV chiller, use the TERMINATE LOCKOUT function of the CONTROL TEST on the SERVICE menu. This helps to turn on pumps and advises the operator on proper procedures.

The following steps describe how to equalize refrigerant pressure in an isolated 23XRV chiller without a pumpout unit.

1. Access TERMINATE LOCKOUT function on the CONTROL TEST screen.
2. **IMPORTANT:** Turn on the chilled liquid and condenser liquid pumps to prevent freezing.
3. Slowly open the motor cooling isolation valve. The chiller cooler and condenser pressures will gradually equalize. This process takes approximately 15 minutes.
4. Once the pressures have equalized, the following isolation valves should be opened:
  - Discharge Isolation Valve
  - Cooler Inlet Valve
  - HGBP Isolation Valve (optional)
  - Vaporizer Condenser Gas Valve
  - Filter/Drier Isolation Valve (2 places)
  - VFD Cooling Isolation Valves (2 places)
  - Oil Filter Isolation Valve

- Oil Pump Isolation Valve
- Oil Pressure Regulator Valve

Refer to Fig. 2 and 8 for isolation valve locations.

### ⚠ WARNING

Whenever turning the discharge isolation valve, be sure that the spring-loaded lever lock fully engages within one of the latch plate detents. This will prevent the valve from opening or closing during service work or during chiller operation.

**CHILLER EQUALIZATION WITH PUMPOUT UNIT** — The following steps describe how to equalize refrigerant pressure on an isolated 23XRV chiller using the pumpout unit.

**NOTE:** The top valve tee on a unit mounted pumpout is connected to the condenser and the bottom valve tee is connected to the cooler. This is different from unit mounted installations on other Carrier chillers.

1. Access the TERMINATE LOCKOUT function on the CONTROL TEST screen.
2. **IMPORTANT:** Turn on the chilled liquid and condenser liquid pumps to prevent possible freezing.
3. Refer to Fig. 33. Open valve 4 on the pumpout unit and open valves 1a and 1b on the chiller cooler and condenser, Fig. 30-33. Slowly open valve 2 on the pumpout unit to equalize the pressure. This process takes approximately 15 minutes.
4. Once the pressures have equalized, the following isolation valves should be opened:
  - Discharge Isolation Valve
  - Cooler Inlet Valve
  - Hot Gas Bypass Valve
  - Vaporizer Condenser Gas Valve
  - Oil Pump Valve
  - Oil Filter Valve
  - Oil Pressure Regulator Valve
  - Filter/Drier Valve (2 places)
  - VFD Cooling Inlet Valve
  - VFD Cooling Drain Valve

Refer to pages 5, 6, 11 and 75 for isolation valve locations.

### ⚠ WARNING

Whenever turning the discharge isolation valve, be sure that the spring-loaded lever lock fully engages within one of the latch plate detents. This will prevent the valve from opening or closing during service work or during chiller operation.

The full refrigerant charge on the 23XRV will vary with chiller components and design conditions, as indicated on the job data specifications. An approximate charge may be determined by adding the condenser charge to the cooler charge as listed in Table 13.

### ⚠ WARNING

Always operate the condenser and chilled liquid pumps whenever charging, transferring, or removing refrigerant from the chiller.

**Table 13 — Refrigerant Charges**

FRAME SIZE	COOLER LENGTH ft (m)	COOLER CODE	CHARGE AMOUNT (R-134a)			
			WITH ECONOMIZER		WITHOUT ECONOMIZER	
			lb (± 25 lb)	kg (± 11 kg)	lb (± 25 lb)	kg (± 11 kg)
3	12 (3.6)	30	800	363	650	295
		31	800	363	650	295
		32	800	363	650	295
	14 (4.3)	35	910	413	760	345
		36	910	413	760	345
		37	910	413	760	345
4	12 (3.6)	40	900	408	750	340
		41	900	408	750	340
		42	900	408	750	340
	14 (4.3)	45	1015	460	865	392
		46	1015	460	865	392
		47	1015	460	865	392
5	12 (3.6)	50	1250	567	1100	499
		51	1250	567	1100	499
		52	1250	567	1100	499
	14 (4.3)	55	1430	649	1280	581
		56	1430	649	1280	581
		57	1430	649	1280	581

**CHILLER SHIPPED WITH HOLDING CHARGE** — Use the CONTROL TEST TERMINATE LOCKOUT function to monitor conditions and start the pumps.

If the chiller has been shipped with a holding charge, the refrigerant is added through the refrigerant charging valve (Fig. 30-33, valves 1a and 1b) or to the pumpout charging connection. First evacuate the nitrogen holding charge from the chiller vessels. Charge the refrigerant as a gas until the system pressure exceeds 35 psig (141 kPa) for HFC-134a. After the chiller is beyond this pressure the refrigerant should be charged as a liquid until all the recommended refrigerant charge has been added.

**TRIMMING REFRIGERANT CHARGE** — The 23XRV is shipped with the correct charge for the design duty of the chiller. The LTD (Leaving Temperature Difference) between the EVAP REFRIG LIQUID TEMP and LEAVING CHILLED LIQUID can be checked against the design conditions to confirm that the charge is correct. In the case where leaks have been found and corrected and the LTD is greater than about 4° F (2.2° C) above design, add refrigerant until the full load design LTD is approached. (A high cooler LTD can also be caused by dirty tubes, water box division plate bypass, a partially closed liquid isolation valve, or the float valve.)

Trimming the charge can best be accomplished when the design load is available. The calibration of the EVAP REFRIG LIQUID TEMP and LEAVING CHILLED LIQUID temperature sensors should be confirmed prior to checking for proper cooler LTD. Compare the difference between EVAP REFRIG LIQUID TEMP and LEAVING CHILLED LIQUID temperatures to the chiller design conditions. Add or remove refrigerant, if necessary, to bring the cooler leaving temperature difference to design conditions or within minimum differential.

Check for low load oil recovery after making adjustments to the refrigerant charge. The bubbling mixture of refrigerant and oil mixture should be visible through the vaporizer sight glass at low load when the oil reclaim valve is open. If a bubbling mixture is not observed when the oil reclaim valve is open, add refrigerant.

The preferred location at which refrigerant should be added directly into the chiller is through the service valves on top of the cooler condenser. If these valves are not accessible due to presence of an attached pumpdown unit which does not have a storage tank, slowly add charge through the valve connected to the side of the condenser drain float sump. Adding charge through the cooler refrigerant pumpout valve at the base of the cooler (off the liquid line) may force debris into the condenser float valve and is not recommended.

**INITIAL START-UP**

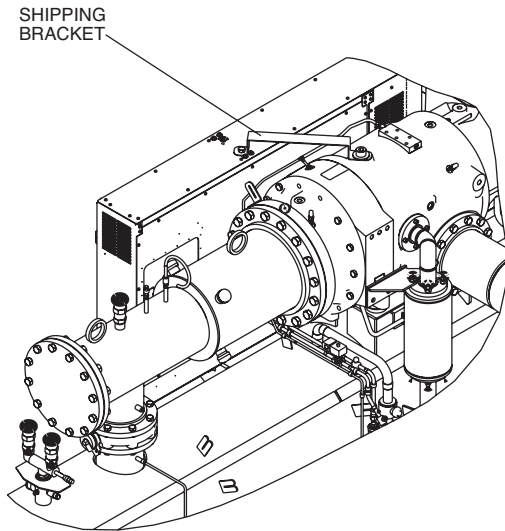
In order for the Reliance VFD to be eligible for the full warranty period, the following conditions must be met:

1. The chiller must be started by a technician that has completed Reliance LiquiFlo2 training.
2. The start-up technician must be registered with Reliance.
3. The start-up technician must register the chiller start-up on the Reliance web site.

**Preparation** — Before starting the chiller, verify:

1. Power is on to the CB2 control power circuit breaker, oil pump relay, tower fan starter, oil heater relay, and the chiller control center.
2. The CB1 main control center circuit breaker is in the On position.
3. Cooling tower liquid is at proper level and at-or-below design entering temperature. Check cooling tower bypass valve.
4. Chiller is charged with refrigerant and all refrigerant and oil valves are in their proper operating positions.
5. Oil is at the proper level in the oil sump sight glass.
6. The Oil Sump Temperature must be above 140 F (60 C) or CALC EVAP SAT TEMP plus 15° F (8.3° C) before the controls will allow the chiller to start to ensure that a sufficient amount of refrigerant has been driven out of the oil.
7. All valves listed on page CL-2 of the Initial Start-Up Checklist are fully open.
8. The VFD cold plate refrigerant isolation valves are open.





**Fig. 39 — Control Center Shipping Brace**

- Remove the control center shipping brace (see Fig. 39).

**▲ CAUTION**

Operating the chiller with the shipping brace attached may result in excessive vibration and noise. The shipping brace should be removed to avoid possible equipment damage.

**▲ WARNING**

Do not permit liquid or brine that is warmer than 110 F (43 C) to flow through the cooler or condenser. Refrigerant overpressure may discharge through the relief valves and result in the loss of refrigerant charge.

- Access the CONTROL TEST screen. Scroll down on the *TERMINATE LOCKOUT* option. Press the SELECT (to enable the chiller to start) and answer YES to restore unit to operating mode. The chiller is locked out at the factory in order to prevent accidental start-up.

**Check Oil Pressure and Compressor Stop —** Start the chiller and allow it to automatically ramp load.

- Two minutes after start-up, note the OIL PRESSURE DELTA P reading on the ICVC default screen. The OIL PRESSURE DELTA P is the difference between the oil pressure leaving the oil filter and the oil sump pressure. The minimum OIL PRESSURE DELTA P is 18 psid (124 kPad) after OIL PRESSURE VERIFY TIME is exceeded. The OIL PRESSURE DELTA P is displayed on the COMPRESS, STARTUP, PRESSURE TRANSDUCERS, PUMPS, and DEFAULT screens. A normal full load reading is approximately 20 to 28 psid (138 to 193 kPad).
- Press the STOP softkey and listen for any unusual sounds from the compressor as it coasts to a stop.

**To Prevent Accidental Start-Up —** The chiller is shipped with the CHILLER START/STOP parameter in the MAINSTAT screen set to STOP. Once installed, a chiller STOP override setting may be entered to prevent accidental start-up during service or whenever necessary. Access the MAINSTAT screen and using the **NEXT** or **PREVIOUS** softkeys, highlight the CHILLER START/STOP parameter. Override the current START value by pressing the **SELECT** softkey. Press the **STOP** softkey followed by the **ENTER** softkey. The word SUPVSR! displays on the ICVC indicating the STOP override is in place.

To start the chiller the STOP override setting must first be removed. Access the MAINSTAT screen and using **NEXT** or **PREVIOUS** softkeys highlight CHILLER START/STOP. The 3 softkeys that appear represent 3 choices:

- START** — forces the chiller ON
- STOP** — forces the chiller OFF
- RELEASE** — puts the chiller under remote or schedule control.

To return the chiller to normal control, press the **RELEASE** softkey followed by the **ENTER** softkey. For more information, see Local Start-Up, page 46.

The default ICVC screen message line indicates which command is in effect.

**Check Chiller Operating Condition —** Check to be sure that chiller temperatures, pressures, liquid flows, and oil and refrigerant levels indicate the system is functioning properly.

**Instruct the Customer Operator —** Ensure the operator(s) understands all operating and maintenance procedures. Point out the various chiller parts and explain their function as part of the complete system.

**COOLER-CONDENSER —** Float chamber, relief valves, refrigerant charging valve, temperature sensor locations, pressure transducer locations, Schrader fittings, waterboxes and tubes, and vents and drains.

**OPTIONAL PUMPOUT STORAGE TANK AND PUMPOUT SYSTEM —** Transfer valves and pumpout system, refrigerant charging and pumpdown procedure, and relief devices.

**COMPRESSOR ASSEMBLY —** Motor cooling system, oil system, temperature and pressure sensors, sight glasses, motor temperature sensors, synthetic oil, and compressor serviceability.

**COMPRESSOR LUBRICATION SYSTEM —** Concentrator, oil pump, oil filter, oil heaters, oil charge and specification, strainers, sight glasses, operating and shutdown oil level, temperature and pressure sensors, and oil charging connections.

**CONTROL SYSTEM —** CCN and LOCAL start, reset, menu, softkey functions, ICVC operation, occupancy schedule, set points, safety controls, and auxiliary and optional controls.

**AUXILIARY EQUIPMENT —** Disconnects, separate electrical sources, pumps, cooling tower, chilled liquid strainers, and condenser liquid strainers.

**DESCRIBE CHILLER CYCLES —** Refrigerant, motor cooling, lubrication, and oil reclaim.

**REVIEW MAINTENANCE —** Scheduled, routine, and extended shutdowns, importance of a log sheet, importance of liquid treatment and tube cleaning, and importance of maintaining a leak-free chiller.

**SAFETY DEVICES AND PROCEDURES —** Electrical disconnects, relief device inspection, and handling refrigerant.

**CHECK OPERATOR KNOWLEDGE —** Start, stop, and shutdown procedures, safety and operating controls, refrigerant and oil charging, and job safety.

**REVIEW THE START-UP, OPERATION AND MAINTENANCE MANUAL**

**▲ CAUTION**

Manuals and notebooks should not be stored under the VFD power module, they will block air flow into the power module cooling fan and cause the VFD to overheat.

## OPERATING INSTRUCTIONS

### Operator Duties

1. Become familiar with the chiller and related equipment before operating the chiller.
2. Prepare the system for start-up, start and stop the chiller, and place the system in a shutdown condition.
3. Maintain a log of operating conditions and document any abnormal readings.
4. Inspect the equipment, make routine adjustments, and perform a Control Test. Maintain the proper oil and refrigerant levels.
5. Protect the system from damage during shutdown periods.
6. Maintain the set point, time schedules, and other PIC III functions.

**Prepare the Chiller for Start-Up** — Follow the steps described in the Initial Start-Up section, page 64.

### To Start the Chiller

1. Start the liquid pumps, if they are not automatic.
2. On the ICVC default screen, press the **LOCAL** or **CCN** softkey to start the system. If the chiller is in the OCCUPIED mode and the start timers have expired, the start sequence will start. Follow the procedure described in the Start-Up/Shutdown/Recycle Sequence section, page 46.

**Check the Running System** — After the compressor starts, the operator should monitor the ICVC display and observe the parameters for normal operating conditions:

1. The oil sump temperature will vary from 50 deg F to 140 deg F (10 deg C to 60 deg C) depending on the operating conditions. If the chiller has not been running for a few hours the OIL SUMP TEMP will be warmer than the CALC EVAP SAT TEMP. When the chiller is not running, the oil heater is energized whenever the OIL SUMP TEMP is less than the smaller of 140 (60 deg C) or 53 deg F (29.4 deg C) greater than the CALC EVAP SAT TEMP. The OIL SUMP TEMP generally decreases slowly following start-up and eventually stabilizes at a point lower than the temperature maintained during shut down. The OIL PRESS DELTA P increases above 18 psid (124 kPad) during start-up and generally does not vary by more than  $\pm 2$  psid (14 kPad). The level in the oil sump is generally very stable. Changes in the oil level occur very slowly.
2. When the compressor is running, the liquid level should be visible in the oil sump or the strainer housing sight glass. Low oil pressure alarms are imminent if the oil level drops below the bottom of the oil strainer housing sight glass.
3. The OIL PRESSURE DELTA P displayed on the ICVC default screen is equal to the difference between the oil pressure leaving the oil filter and the oil sump pressure transducer readings. Typically the reading will be between 20 and 28 psid (138 to 193 kPad) after the oil pressure ramp up is complete.
4. The moisture indicator (dry-eye) sight glass on the refrigerant motor cooling line should indicate refrigerant flow and a dry condition.

5. The condenser pressure and temperature varies with the chiller design conditions. Typically the pressure will range between 60 to 135 psig (329 to 780 kPa) with a corresponding temperature range of 60 to 105 F (15 to 41 C). The condenser entering liquid temperature may be controlled below the specified design entering liquid temperature to save on compressor kilowatt requirements but, not be below 55 F (12.8 C).
6. Cooler pressure and temperature also will vary with the design conditions. Typical pressure range will be between 30 to 40 psig (204 to 260 kPa) with temperature ranging between 34 and 45 F (1 and 8 C).
7. The compressor may operate at full capacity for a short time after the pulldown ramping has ended, even though the building load is small. The active electrical demand setting can be overridden to limit the compressor kW, or the pulldown rate can be decreased to avoid a high demand charge for the short period of high demand operation. Pulldown rate can be based on load rate or temperature rate by PULLDOWN RAMP TYPE in the RAMP\_DEM screen. AMPS or KW RAMP%/MIN is accessed on the Equipment SERVICE screen, RAMP\_DEM table (Table 3, Example 22). TEMP PULLDOWN RAMP/MIN is accessed on the TEMP\_CTL screen.

### To Stop the Chiller

1. The occupancy schedule starts and stops the chiller automatically once the time schedule is configured.
2. The STOP button must be pressed for one second before the alarm light blinks once to confirm the button has been pressed. The compressor will then follow the normal shutdown sequence as described in the Controls section. The chiller will not restart until the **CCN** or **LOCAL** softkey is pressed. The chiller is now in the OFF control mode.

**FAILURE TO STOP** — If the alarm light does not blink after pressing and holding the stop button for at least one second and the chiller fails to stop, the operator should open the main circuit breaker on the front of the control panel.

**IMPORTANT:** Do not attempt to stop the chiller by opening an isolating knife switch. High intensity arcing may occur.

*Do not restart the chiller until the problem is diagnosed and corrected.*

**After Limited Shutdown** — No special preparations should be necessary. Follow the regular preliminary checks and starting procedures.

**Preparation for Extended Shutdown** — The refrigerant should be transferred into the pumpout storage tank (if supplied; see Pumpout and Refrigerant Transfer Procedures) to reduce chiller pressure and the possibility of leaks. Maintain a holding charge of 5 to 10 psi (34 to 69 kPa) of refrigerant or nitrogen to prevent air from leaking into the chiller.

If freezing temperatures are likely to occur in the chiller area, drain the chilled liquid, condenser liquid, and the pumpout condenser liquid circuits to avoid freeze-up. Keep the waterbox drains open.

Leave the oil charge in the chiller with the oil heater and controls energized to maintain the minimum oil reservoir temperature.

**After Extended Shutdown** — Ensure the liquid system drains are closed. It may be advisable to flush the liquid circuits to remove any soft rust which may have formed. This is a good time to brush the tubes and inspect the Schrader fittings on the optional liquid side flow devices for fouling, if necessary.

Check the cooler pressure on the ICVC default screen and compare it to the original holding charge that was left in the chiller. If (after adjusting for ambient temperature changes) any loss in pressure is indicated, check for refrigerant leaks. See Check Chiller Tightness section, page 49.

Recharge the chiller by transferring refrigerant from the pumpout storage tank (if supplied). Follow the Pumpout and Refrigerant Transfer Procedures section, page 69. Observe freeze-up precautions.

Carefully make all regular preliminary and running system checks. Perform a Control Test before start-up. If the oil level appears abnormally high, the oil may have absorbed refrigerant. A LOW OIL TEMPERATURE prestart alert will be declared if the oil temperature is not greater than the CALC EVAP SAT TEMP plus 15 F (8.3 C) or 140 F (60 C), whichever is lower.

**Cold Weather Operation** — When the entering condenser liquid drops very low (55 F [13 C] minimum), the operator or tower control should automatically cycle the cooling tower fans off to keep the temperature up. Piping may also be arranged to bypass the cooling tower. The PIC III controls have a Tower Fan Low control contact that can be used to assist in this control (terminals 5 and 6 on the TB2 hazardous voltage field wiring terminal strip).

**Refrigeration Log** — A refrigeration log, such as the one shown in Fig. 40, provides a convenient checklist for routine inspection and maintenance, and provides a continuous record of chiller performance. It is an aid in scheduling routine maintenance and in diagnosing chiller problems.

Keep a record of the chiller pressures, temperatures, and liquid levels on a sheet similar to that shown. Automatic recording of PIC III data is possible through the use of CCN devices such as the Data Collection module and a Building Supervisor. Contact your Carrier representative for more information.





## PUMPOUT AND REFRIGERANT TRANSFER PROCEDURES

**Preparation** — The 23XRV chiller may come equipped with an optional pumpout storage tank, pumpout system, or pumpout compressor. The refrigerant can be pumped for service work to either the chiller compressor evaporator vessel or chiller condenser vessel by using the optional pumpout system. If a pumpout storage tank is supplied, the refrigerant can be isolated in the storage tank. The following procedures describe how to transfer refrigerant from vessel to vessel and perform chiller evacuations.

### ⚠ WARNING

Always run the chiller cooler and condenser liquid pumps and always charge or transfer refrigerant as a gas when the chiller pressure is less than 35 psig (241 kPa). Below these pressures, liquid refrigerant flashes into gas, resulting in extremely low temperatures in the cooler/condenser tubes and possibly causing tube freeze-up.

### ⚠ WARNING

During transfer of refrigerant into and out of the optional storage tank, carefully monitor the storage tank level gage. Do not fill the tank more than 90% of capacity to allow for refrigerant expansion. Overfilling may result in damage to the tank or personal injury.

### ⚠ CAUTION

Do not mix refrigerants from chillers that use different compressor oils. Compressor damage can result.

### Operating the Optional Pumpout Unit

1. Be sure that the suction and the discharge service valves on the optional pumpout compressor are open (backseated) during operation. Rotate the valve stem fully

counterclockwise to open. Frontseating the valve closes the refrigerant line and opens the gage port to compressor pressure.

2. Ensure that the compressor holddown bolts have been loosened to allow free spring travel.
3. Open the refrigerant inlet valve on the pumpout compressor.
4. Oil should be visible in the pumpout unit compressor sight glass under all operating conditions and during shutdown. If oil is low, add oil as described under Optional Pumpout System Maintenance section, page 78. The pumpout unit control wiring schematic is detailed in Fig. 41.

**TO READ REFRIGERANT PRESSURES** during pumpout or leak testing:

1. The ICVC display on the chiller control center is suitable for determining refrigerant-side pressures and low (soft) vacuum. To assure the desired range and accuracy when measuring evacuation and dehydration, use a quality vacuum indicator or manometer. This can be placed on the Schrader connections on each vessel by removing the evaporator or condenser pressure transducer (Fig. 3).
2. To determine pumpout storage tank pressure, a 30 in. Hg vacuum  $-0-400$  psi ( $-101-0-2769$  kPa) compound gage is attached to the storage tank.
3. Refer to Fig. 31-33, and 41 for valve locations and numbers.

### ⚠ CAUTION

Transfer, addition, or removal of refrigerant in spring-isolated chillers may place severe stress on external piping if springs have not been blocked in both up and down directions.

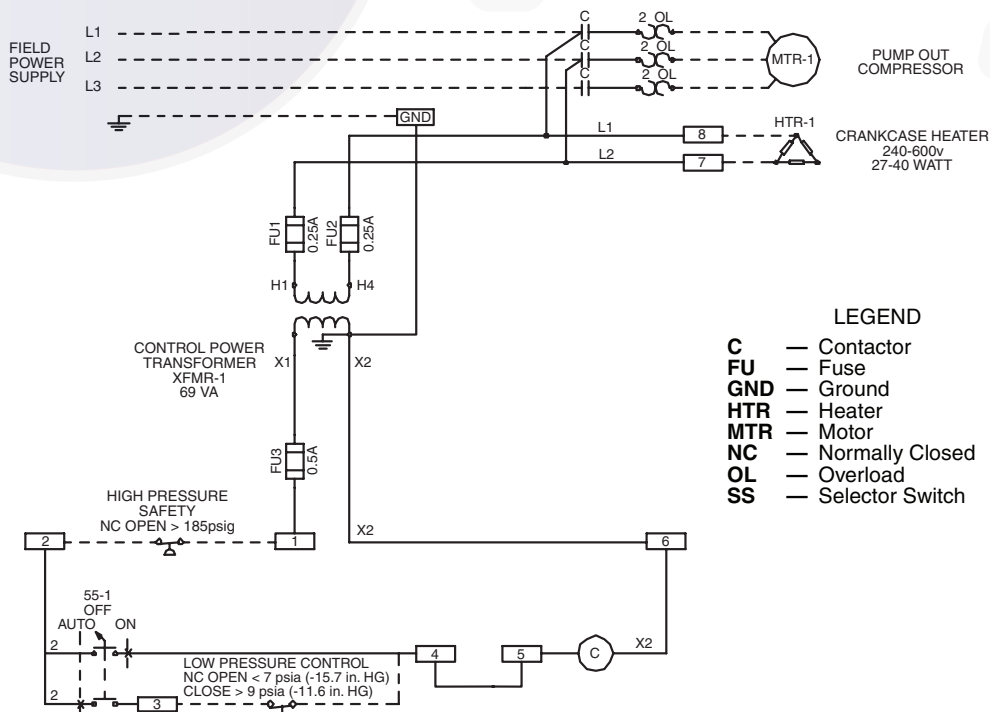
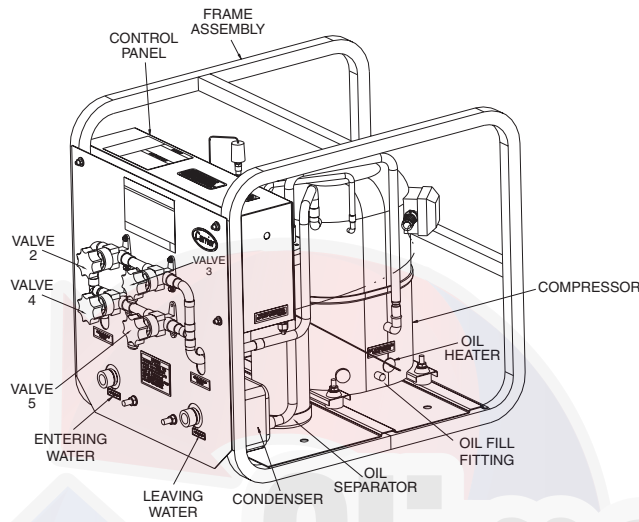


Fig. 41 — 23XRV Pumpout Unit Wiring Schematic

**Chillers with Storage Tanks** — In the Valve/Condition tables that accompany these instructions, the letter “C” indicates a closed valve. Figures 31-33 and 42 show the locations of the valves.

**CAUTION**  
Always run chiller cooler and condenser water pumps and always charge or transfer refrigerant as a gas when chiller vessel pressure is less than 35 psig (241 kPa). Below these pressures, liquid refrigerant flashes into gas, resulting in extremely low temperatures in the cooler/condenser tubes and possibly causing tube freeze-up.



**Fig. 42 — Optional Pumpout Unit**

**TRANSFER REFRIGERANT FROM PUMPOUT STORAGE TANK TO CHILLER**

**CAUTION**  
During transfer of refrigerant into and out of the 23XRV storage tank, carefully monitor the storage tank level gage. Do not fill the tank more than 90% of capacity to allow for refrigerant expansion. Overfilling may result in damage to the tank and personal injury.

1. Equalize refrigerant pressure.
  - a. Turn on chiller water pumps and monitor chiller pressures.
  - b. Close pumpout and storage tank valves 2, 4, 5, and 10, and close refrigerant charging valve 7; open chiller isolation valve 11 and any other chiller isolation valves, if present.
  - c. Open pumpout and storage tank valves 3 and 6; open chiller valves 1a and 1b.

VALVE	1a	1b	2	3	4	5	6	7	10	11
CONDITION			C		C	C			C	C

- d. Gradually crack open valve 5 to increase chiller pressure to 35 psig (241 kPa). Slowly feed refrigerant to prevent freeze-up.
- e. Open valve 5 fully after the chiller pressure rises above the freezing point of the refrigerant. Let the storage tank and chiller pressure equalize. Open refrigerant charging valve 7 and storage tank

charging valve 10 to let liquid refrigerant drain into the chiller.

VALVE	1a	1b	2	3	4	5	6	7	10	11
CONDITION			C		C					

2. Transfer remaining refrigerant.
  - a. Close valve 5 and open valve 4.

VALVE	1a	1b	2	3	4	5	6	7	10	11
CONDITION			C			C				

- b. Turn off the pumpout condenser water, and turn on the pumpout compressor in manual mode to push liquid refrigerant out of the storage tank. Monitor the storage tank level until the tank is empty.
- c. Close refrigerant charging valves 7 and 10.
- d. Turn off the pumpout compressor.
- e. Turn off the chiller water pumps.
- f. Close valves 3 and 4.
- g. Open valves 2 and 5.

VALVE	1a	1b	2	3	4	5	6	7	10	11
CONDITION				C	C				C	C

- h. Turn on pumpout condenser water.
- i. Run the pumpout compressor in manual mode until the storage tank pressure reaches 5 psig (34 kPa), 18 in. Hg vacuum (41 kPa absolute).
- j. Turn off the pumpout compressor.
- k. Close valves 1a, 1b, 2, 5, and 6.

VALVE	1a	1b	2	3	4	5	6	7	10	11
CONDITION	C	C	C	C	C	C	C	C	C	C

- l. Turn off pumpout condenser water.

**TRANSFER THE REFRIGERANT FROM CHILLER TO PUMPOUT STORAGE TANK**

1. Equalize refrigerant pressure.
  - a. Valve positions:

VALVE	1a	1b	2	3	4	5	6	7	10	11
CONDITION			C		C	C			C	C

- b. Slowly open valve 5 and refrigerant charging valves 7 and 10 to allow liquid refrigerant to drain by gravity into the storage tank.

VALVE	1a	1b	2	3	4	5	6	7	10	11
CONDITION			C		C					

2. Transfer the remaining liquid.
  - a. Turn off pumpout condenser water. Place valves in the following positions:

VALVE	1a	1b	2	3	4	5	6	7	10	11
CONDITION				C	C					

- b. Run the pumpout compressor in automatic mode until vacuum switch is satisfied and compressor stops. Close valves 7 and 10.

VALVE	1a	1b	2	3	4	5	6	7	10	11
CONDITION				C	C				C	C

- c. Turn off the pumpout compressor.
3. Remove any remaining refrigerant.
  - a. Turn on chiller water pumps.
  - b. Turn on pumpout condenser water.

c. Place valves in the following positions:

VALVE	1a	1b	2	3	4	5	6	7	10	11
CONDITION			C			C			C	C

- d. Run the pumpout compressor until the chiller pressure reaches 35 psig (241 kPa); then, shut off the pumpout compressor. Warm chiller condenser water will boil off any entrapped liquid refrigerant and chiller pressure will rise.
- e. When chiller pressure rises to 40 psig (276 kPa), turn on the pumpout compressor until the pressure again reaches 35 psig (241 kPa), then, turn off the pumpout compressor. Repeat this process until the chiller pressure no longer rises; then, turn on the pumpout compressor and pump out until the chiller pressure reaches 18 in. Hg vacuum (41 kPa absolute). This can be done in On or Automatic mode.
- f. Close valves 1a, 1b, 3, 4, and 6.

VALVE	1a	1b	2	3	4	5	6	7	10	11
CONDITION	C	C	C	C	C	C	C	C	C	C

- g. Turn off the pumpout condenser water.
4. Establish vacuum for service. To conserve refrigerant, operate the pumpout compressor as described in Step 3e until the chiller pressure is reduced to 18 in. Hg vacuum (41 kPa absolute).  
This operation can be done in Automatic or On mode. In Automatic mode, the compressor will stop automatically at approximately 15 in. Hg vacuum (51 kPa absolute).

CHILLERS WITH ISOLATION VALVES — The valves referred to in the following instructions are shown in Fig. 31-33 and 41. Valve 7 remains closed.

Transfer All Refrigerant to Chiller Condenser Vessel

1. Push refrigerant into chiller condenser vessel.
  - a. Turn on the chiller water pumps and monitor the chiller pressure.
  - b. Valve positions:

VALVE	1a	1b	2	3	4	5	11
CONDITION				C	C		

- c. Equalize the refrigerant in the chiller cooler and condenser.
- d. Turn off chiller water pumps and pumpout condenser water supply.
- e. Turn on pumpout compressor to push liquid out of the chiller cooler vessel.
- f. When all liquid has been pushed into the chiller condenser vessel, close the cooler refrigerant isolation valve (11).
- g. Turn on the chiller water pumps.
- h. Turn off the pumpout compressor.
2. Evacuate gas from chiller cooler vessel.
  - a. Close pumpout valves 2 and 5; open valves 3 and 4.

VALVE	1a	1b	2	3	4	5	11
CONDITION			C			C	C

- b. Turn on pumpout condenser water.
- c. Run pumpout compressor until the chiller cooler vessel pressure reaches 18 in. Hg vacuum (41 kPa absolute). Monitor pressures on the chiller control panel and on refrigerant gages.

This operation can be done in Automatic or On mode. In Automatic mode, the compressor will stop automatically at approximately 15 in. Hg vacuum (51 kPa absolute).

- d. Close valve 1a.
- e. Turn off pumpout compressor.
- f. Close valves 1b, 3, and 4.

VALVE	1a	1b	2	3	4	5	11
CONDITION	C	C	C	C	C	C	C

- g. Turn off pumpout condenser water.
- h. Turn off chiller water pumps and lock out chiller compressor.

Transfer All Refrigerant to Chiller Cooler Vessel

1. Push refrigerant into the chiller cooler vessel.
  - a. Turn on the chiller water pumps and monitor the chiller pressure.
  - b. Valve positions:

VALVE	1a	1b	2	3	4	5	11
CONDITION				C	C		

- c. Equalize the refrigerant in the chiller cooler and condenser.
- d. Turn off chiller water pumps and pumpout condenser water.
- e. Turn on pumpout compressor to push refrigerant out of the chiller condenser.
- f. When all liquid is out of the chiller condenser, close valve 11 and any other liquid isolation valves on the chiller.
- g. Turn off the pumpout compressor.
2. Evacuate gas from chiller condenser vessel.
  - a. Turn on chiller water pumps.
  - b. Make sure that pumpout valves 3 and 4 are closed and valves 2 and 5 are open.

VALVE	1a	1b	2	3	4	5	11
CONDITION				C	C		C

- c. Turn on pumpout condenser water.
- d. Run the pumpout compressor until the chiller condenser reaches 18 in. Hg vacuum (41 kPa absolute) in Manual or Automatic mode. Monitor pressure at the chiller control panel and refrigerant gages.
- e. Close valve 1b.
- f. Turn off pumpout compressor.
- g. Close valves 1a, 2, and 5.

VALVE	1a	1b	2	3	4	5	11
CONDITION	C	C	C	C	C	C	C

- h. Turn off pumpout condenser water.
- i. Turn off chiller water pumps and lock out chiller compressor.

Return Refrigerant to Normal Operating Conditions

1. Be sure that the chiller vessel that was opened has been evacuated.
2. Turn on chiller water pumps.
3. Open valves 1a, 1b, and 3.

VALVE	1a	1b	2	3	4	5	11
CONDITION			C		C	C	C

4. Crack open valve 5, gradually increasing pressure in the evacuated chiller vessel to 35 psig (241 kPa). Feed refrigerant slowly to prevent tube freeze-up.
5. Leak test to ensure chiller vessel integrity.
6. Open valve 5 fully.

VALVE	1a	1b	2	3	4	5	11
CONDITION			C		C		C

7. Close valves 1a, 1b, 3, and 5.
8. Open chiller isolation valve 11 and any other isolation valves, if present.

VALVE	1a	1b	2	3	4	5	11
CONDITION	C	C	C	C	C	C	

9. Turn off chiller water pumps.

#### DISTILLING THE REFRIGERANT

1. Transfer the refrigerant from the chiller to the pumpout storage tank as described in the Transfer the Refrigerant from Chiller to Pumpout Storage Tank section.
2. Equalize the refrigerant pressure.
  - a. Turn on chiller water pumps and monitor chiller pressures.
  - b. Close pumpout and storage tank valves 2, 4, 5, and 10, and close chiller charging valve 7; open chiller isolation valve 11 and any other chiller isolation valves, if present.
  - c. Open pumpout and storage tank valves 3 and 6; open chiller valves 1a and 1b.

VALVE	1a	1b	2	3	4	5	6	7	10	11
CONDITION			C		C	C		C	C	

- d. Gradually crack open valve 5 to increase chiller pressure to 35 psig (241 kPa). Slowly feed refrigerant to prevent freeze-up.
- e. Open valve 5 fully after the chiller pressure rises above the freezing point of the refrigerant. Let the storage tank and chiller pressure equalize.
3. Transfer remaining refrigerant.
  - a. Close valve 3.
  - b. Open valve 2.

VALVE	1a	1b	2	3	4	5	6	7	10	11
CONDITION				C	C			C	C	

- c. Turn on pumpout condenser water.
- d. Run the pumpout compressor until the storage tank pressure reaches 5 psig (34 kPa), 18 in. Hg vacuum (41 kPa absolute) in Manual or Automatic mode.
- e. Turn off the pumpout compressor.
- f. Close valves 1a, 1b, 2, 5, and 6.
- g. Turn off pumpout condenser water.

VALVE	1a	1b	2	3	4	5	6	7	10	11
CONDITION	C	C	C	C	C	C	C	C	C	

4. Drain the contaminants from the bottom of the storage tank into a container. Dispose of contaminants safely.

### GENERAL MAINTENANCE

**Refrigerant Properties** — HFC-134a is the standard refrigerant in the 23XRV chiller. At normal atmospheric pressure, HFC-134a will boil at -14 F (-25 C), and must, therefore, be kept in pressurized containers or storage tanks. The refrigerant is practically odorless when mixed with air. HFC-134a is non-combustible at atmospheric pressure. Read the Material

Safety Data Sheet and the latest ASHRAE Safety Guide for Mechanical Refrigeration to learn more about safe handling of this refrigerant.

#### ⚠ WARNING

HFC-134a will dissolve oil and some non-metallic materials, dry the skin, and, in heavy concentrations, may displace enough oxygen to cause asphyxiation. In handling this refrigerant, protect the hands and eyes and avoid breathing fumes.

**Adding Refrigerant** — Follow the procedures described in the Charge Refrigerant into Chiller section, page 63.

#### ⚠ WARNING

Always use the compressor pumpdown function in the Control Test mode to turn on the evaporator pump and lock out the compressor when transferring refrigerant. Liquid refrigerant may flash into a gas and cause possible freeze-up when the chiller pressure is below 35 psig (241 kPa).

**Removing Refrigerant** — If the optional pumpout system is used, the 23XRV refrigerant charge may be transferred to a storage vessel or within the condenser or cooler if isolation valves are present. Follow procedures in the Pumpout and Refrigerant Transfer Procedures section when removing refrigerant from the storage tank to the chiller.

**Adjusting the Refrigerant Charge** — If the addition or removal of refrigerant is required for improved chiller performance, follow the procedures given under the Trim Refrigerant Charge section, on this page.

**Refrigerant Leak Testing** — Because HFC-134a is above atmospheric pressure at room temperature, leak testing can be performed with refrigerant in the chiller. Use an electronic leak detector, halide leak detector, soap bubble solution, or ultra-sonic leak detector. Be sure that the room is well ventilated and free from concentration of refrigerant to keep false readings to a minimum. Before making any necessary repairs to a leak, transfer all refrigerant from the leaking vessel. The chiller should be leak tested at least once per year.

**Refrigerant Leak Rate** — ASHRAE recommends that chillers should be immediately taken off line and repaired if the refrigerant leakage rate for the entire chiller is more than 10% of the operating refrigerant charge per year.

Additionally, Carrier recommends that leaks totalling less than the above rate but more than a rate of 1 lb (0.5 kg) per year should be repaired during annual maintenance or whenever the refrigerant is pumped over for other service work.

**Test After Service, Repair, or Major Leak** — If all refrigerant has been lost or if the chiller has been opened for service, the chiller or the affected vessels must be pressurized and leak tested. Refer to the Leak Test Chiller section to perform a leak test.

**REFRIGERANT TRACER** — Use an environmentally acceptable refrigerant as a tracer for leak test procedures.

**TO PRESSURIZE WITH DRY NITROGEN** — Another method of leak testing is to pressure with nitrogen only and use soap bubble solution or an ultrasonic leak detector to determine if leaks are present. This should only be done if all refrigerant has been evacuated from the vessel.

1. Connect a copper tube from the pressure regulator on the cylinder to the refrigerant charging valve. Never apply full cylinder pressure to the pressurizing line. Follow the listed sequence.



2. Open the charging valve fully.
3. Slowly open the cylinder regulating valve.
4. Observe the pressure gage on the chiller and close the regulating valve when the pressure reaches test level. Do not exceed 140 psig (965 kPa).
5. Close the charging valve on the chiller. Remove the copper tube if no longer required.

**Repair the Refrigerant Leak, Retest, and Apply Standing Vacuum Test** — After pressurizing the chiller, test for leaks with a soap bubble solution, an electronic leak detector, a halide torch, or an ultrasonic leak detector. Bring the chiller back to atmospheric pressure, repair any leaks found, and retest.

After retesting and finding no leaks, apply a standing vacuum test. Then dehydrate the chiller. Refer to the Chiller Dehydration in the Before Initial Start-Up section, page 55.

**Trim Refrigerant Charge** — If it becomes necessary to adjust the refrigerant charge to obtain optimum chiller performance, operate the chiller at design load and then add or remove refrigerant slowly until the difference between LEAVING CHILLED LIQUID chilled liquid temperature and the EVAP REFRIG LIQUID TEMP reaches design conditions. *Do not overcharge.* For superheat information, see the Troubleshooting section on page 78.

Refrigerant may be added either through the optional storage tank or directly into the chiller as described in the section entitled, Refrigerant Charging.

To remove any excess refrigerant, follow the procedure in Transfer Refrigerant from Chiller to Pumpout Storage Tank section, Steps 1a, b on page 70.

## WEEKLY MAINTENANCE

**Check the Lubrication System** — Mark the oil level on the oil sump sight glasses and observe the level each week while the chiller is running. Check the moisture indicator on the motor cooling line.

If the level goes below the bottom of the oil sump sight glass, the oil reclaim system will need to be checked for proper operation. The oil reclaim system is operating properly if the level in the oil sump increases after running the chiller near full load with a 95 F or higher CONDENSER TEMPERATURE for 1 hour. If additional oil is required, add it through the oil charging valve (Fig. 2 and 3). A hand pump is required for adding oil against refrigerant pressure. The oil charge for the 23XRV chiller is 7.5 gallons (28 L).

The oil *must* meet Carrier's specifications for the 23XRV chillers. Refer to Changing Oil and Oil Filter section. Any oil that is added should be logged by noting the amount and date in Fig. 40 on page 68. Any oil that is added due to oil loss not related to service will eventually return to the sump. Excess oil must be removed when the level is above the top of the oil sump sight glass.

A 530-watt oil sump heater is controlled by the PIC III to maintain oil temperature above 140 F (60 C) or CALC EVAP SAT TEMP plus 53 F (29.4 C) when the compressor is off (see the Controls section on page 12). The ICVC Status-COMPRESS table displays whether the heater is energized or not. If the PIC III shows that the sump heater is energized, but the sump is not heating up, the power to the oil sump heater may be off or the oil level may be too low. Check the oil level, the sump oil heater contactor voltage, and oil heater resistance.

The PIC III will not permit compressor start-up if the oil temperature is less than 140 F (60 C) or CALC EVAP SAT TEMP plus 15 F (8.3 C), whichever is lower. The control will continue with start-up only after the temperature is within limits.

## SCHEDULED MAINTENANCE

Establish a regular maintenance schedule based on the actual chiller requirements such as chiller load, run hours, and cooler and condenser liquid quality. The time intervals listed in this section are offered as guides to service only.

**Service Ontime** — The ICVC will display a *SERVICE ONTIME* value on the MAINSTAT table. This value should be reset to zero by the service person or the operator each time major service work is completed so that time between service can be seen.

**Inspect the Control Center** — Maintenance is generally limited to general cleaning and tightening of connections. Vacuum the control center enclosure to eliminate dust build-up. In the event of chiller control malfunctions, refer to the Troubleshooting Guide section for control checks and adjustments.

Power connections on newly installed equipment may relax and loosen after a month of operation. Turn off power and re-tighten, check annually thereafter.

### ⚠ CAUTION

Be sure power to the control center is off when cleaning and tightening connections inside the control center.

**Check Safety and Operating Controls Monthly** — To ensure chiller protection, the Automated Control Test in the service menu should be done at least once per month. See Table 5 for safety control settings.

### ⚠ CAUTION

Do not manually open the oil reclaim isolation valve when the chiller is shut down. Doing so will flood the vaporizer with refrigerant and severely degrade the viscosity of the oil in the sump.

**Changing Oil and Oil Filter** — If the OIL PRESSURE DELTA P approaches the 18 psid (124 kPa) LOW OIL PRESSURE ALARM threshold, change oil filter as needed. Otherwise, change the oil filter on a yearly basis.

Change the oil after the first year of operation. Then, change the oil at least every three years, or as needed. However, if a continuous oil monitoring system is present and/or a yearly oil analysis is performed, the time between oil changes may be extended. See Oil Specification section on page 74 for additional information.

### ⚠ CAUTION

Compressor oil is hygroscopic. Containers should remain tightly sealed in a clean and dry environment to prevent moisture absorption from the air.

The 23XRV oil pump and filter can be isolated to change the oil filter and oil while the refrigerant remains inside the chiller. Use the following procedure to change the oil and oil filter (if required):

#### CHANGING OIL

1. Make sure the compressor is off and the CB1 main circuit breaker for the control center is open.
2. Open the CB2 control power and oil heater circuit breaker in order to turn off the power to the oil heater.

- Record the oil level observed in the oil sump sight glass.

### ⚠ CAUTION

Be sure the power to the oil heater is off when the oil sump is drained. If the oil heater remains energized when the sump is empty, it will overheat any residual oil on the heating element and become fouled. Overheating the elements will also significantly reduce their useful life.

- Connect an oil charging hose to the oil drain valve on the strainer housing. See Fig. 3. Place the other end of the oil charging hose in a clean container suitable for used oil. A portion of the oil drained from the sump should be used as an oil sample and should be sent to a laboratory for proper analysis. *Do not contaminate this sample.*
- Slowly open the drain valve in order to drain the oil from the sump.

### ⚠ WARNING

The oil sump is at high pressure. Relieve pressure slowly.

- Charge new oil through the drain valve on the strainer housing. A hand pump or portable electric oil pump will be required to charge oil back into the oil sump against refrigerant pressure.
- Add oil (approximately 7 gal [23 L]) until it returns to the level noted in Step 3. The oil sight glass will not fill completely since a small amount of gas will be trapped inside (even under vacuum conditions).
- Apply power through the CB2 controls and oil heater circuit breaker.

#### Changing Oil Filter

- Make sure the compressor is off and the disconnect for the compressor starter is open.
- Close both oil filter isolation valves. See Fig. 43.
- Place a container underneath the oil filter assembly.
- When a Schrader valve is provided, use it to relieve the pressure. Slowly open the drain plug, located on the bottom of the oil filter housing, to relieve pressure. *Do not remove the plug.*
- Remove the filter canisters by unscrewing the retainer nut. The filter may now be removed and disposed of properly.
- Install new oil filter. Install the new O-ring. Tighten the retainer nut.
- If a Schrader valve is supplied, evacuate the oil filter by connecting the vacuum pump to the Schrader valve.
- Slowly open the isolation valve located near the oil pump to equalize the pressure. Fully open both oil filter isolation valves.

**Oil Specification** — If oil is to be added, it must meet the following Carrier specifications:

- Carrier Part Number . . . . . PP23BZ110001 (6x1 gal cans)  
 . . . . . PP23BZ110005 (1x5 gal cans)
- Oil type . . . . . Inhibited polyolester-based synthetic compressor lubricant suitable for use in screw compressors where high viscosity and compatibility with HFC-134a refrigerants is required.
- ISO Viscosity Grade . . . . . 220
- Specific Gravity . . . . . 0.981
- Viscosity, cSt at 40 C (104 F) . . . . . 198 to 242  
 cSt at 100 C (212 F) . . . . . 18 to 21  
 SSU at 100 F (38 C) . . . . . 1005 ± 100  
 SSU at 210 F (99 C) . . . . . 91 ± 7

- Pour Point (maximum) . . . . . -6 F (-21 C)
- Flash Point (minimum) . . . . . 428 F (220 C)
- Moisture Content (maximum) . . . . . 50 ppm
- Acid Number (maximum) . . . . . 0.15 mg KOH/gram
- Critical Solution Temperature with HFC-134a (maximum) . . . . . -8 F (-22 C)

### ⚠ CAUTION

Compressor oil is hygroscopic. Containers should remain tightly sealed in a clean and dry environment to prevent moisture absorption from the air.

This oil (part number PP23BZ110001 [6x1 gal cans] and PP23BZ110005 [1x5 gal can]) may be ordered from your local Carrier representative.

**Oil Heater** — Inspect the oil heater for carbon build-up on the heating element if an adequate oil sump temperature cannot be maintained when the chiller is shut down. It may be necessary to temporarily install the heater element terminal cover to provide additional leverage while threading the oil heater into the sump. The sump oil heater elements must be positioned vertically to allow proper heat convection. See Fig. 43 and 44. The heater element must be installed with the word “TOP” on the threaded fitting facing upward.

**Refrigerant Filter/Drier** — A refrigerant filter/drier, located on the motor cooling line, should be changed once per year, or as necessary, if the condition of the filter indicates a need for less or more frequent replacement (see Fig. 45). A moisture indicator (dry eye) sight glass is located beyond the filter/drier to indicate the concentration of moisture in the refrigerant. If the moisture indicator indicates moisture, locate the source of the liquid immediately by performing a thorough leak check. Close the isolation valves on either side of the filter drier. Use the Schrader valve to relieve pressure in the isolated filter/drier. Replace the filter/drier and evacuate the isolated section of tubing with a vacuum pump attached to the Schrader valve.

**Oil Strainers** — The oil reclaim system has two strainers. One is installed in the VFD refrigerant cooling line between the cooler and condenser. The second strainer is located in the oil sump strainer housing (see Fig. 43). The oil sump strainer must be replaced or inspected with the refrigerant charge isolated in the condenser. Inspect the oil sump strainer for obstructions or damage every time the oil is changed. The strainer threads into the oil sump strainer housing. Install a new strainer o-ring if the entire strainer does not require replacement.

**VFD Refrigerant Strainer** — A refrigerant strainer is located in the line that supplies refrigerant to the VFD. Three isolation valves in the refrigerant cooling lines must be closed before this strainer is changed. See Fig. 45.

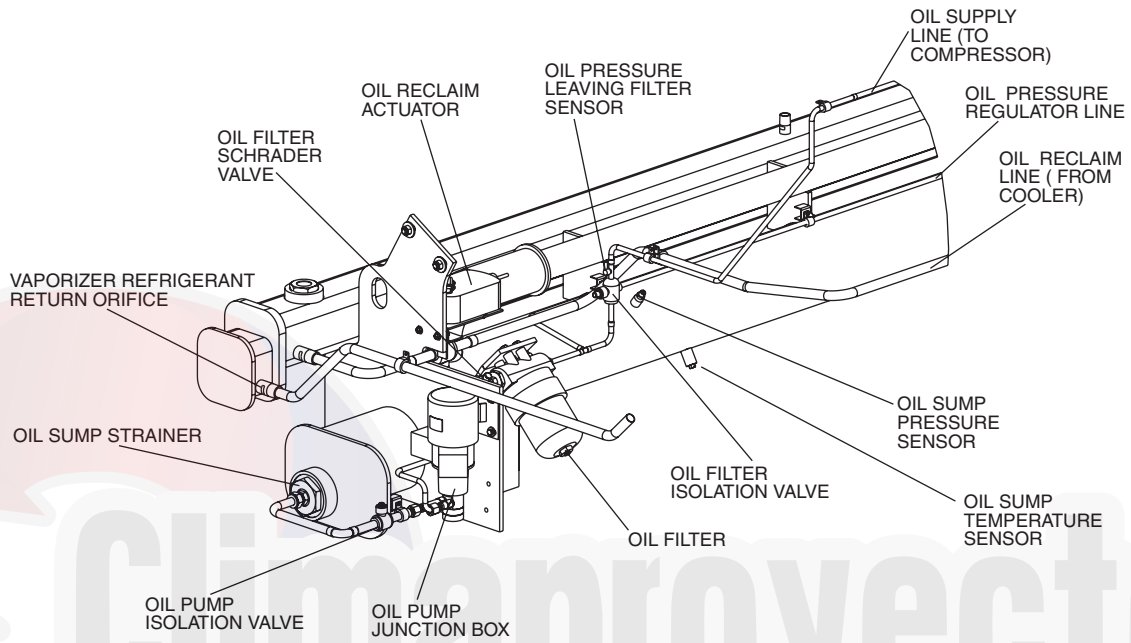
**Vaporizer Refrigerant Return Line Orifice** — There is a metering orifice where the refrigerant return line attaches to the vaporizer (see Fig. 43). This orifice can only be inspected by cutting the vaporizer refrigerant return line near the vaporizer. This orifice should be inspected if hot condenser gas flow through the vaporizer appears to be obstructed.

**Compressor Inlet Bearing Oil Orifice** — The oil line leading to the compressor lubrication block is connected to the inlet bearing oil orifice. The orifice is pressed into a standard reducer/expander fitting and protected by a 50 X 50 mesh screen (see Fig. 46). Compressor oil lines and fittings between the oil filter and compressor must be capped during disassembly to prevent contamination. Inspect the inlet bearing oil orifice whenever the oil line between the oil filter and compressor is disconnected.

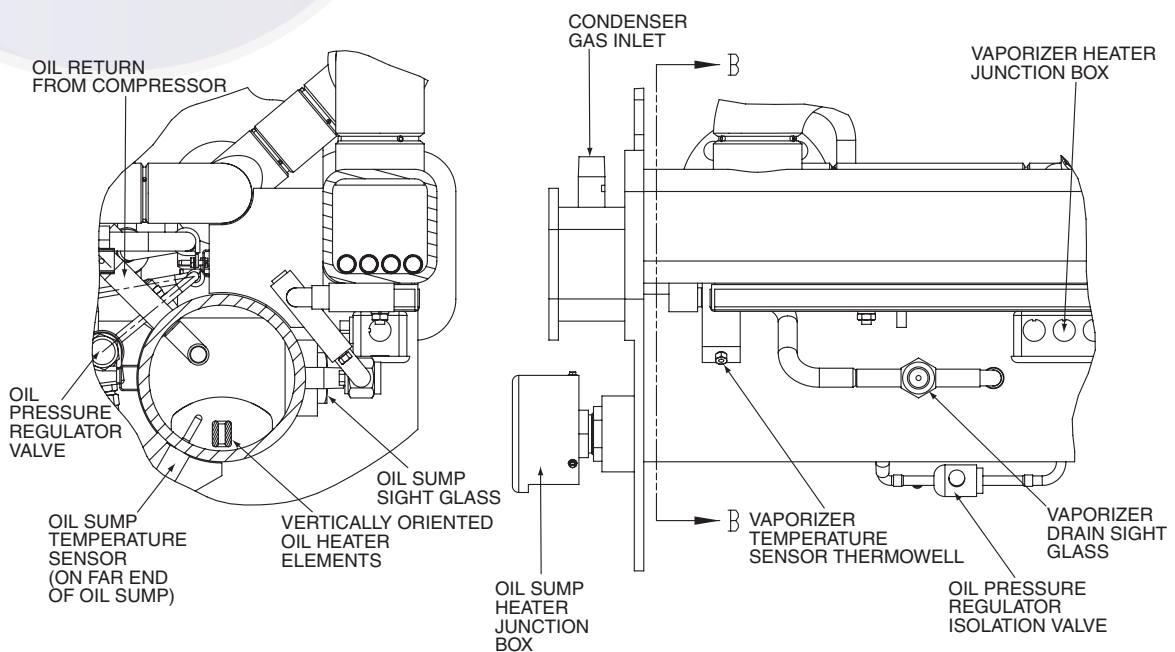
**Inspect Condenser Refrigerant Float System** — Perform this inspection when the condenser is opened for service. See Fig. 47.

1. Transfer the refrigerant into the cooler vessel or into a pumpout storage tank.
2. Remove the float access cover.
3. Clean the chamber and valve assembly thoroughly. Be sure the valve moves freely. Ensure that all openings are free of obstructions.

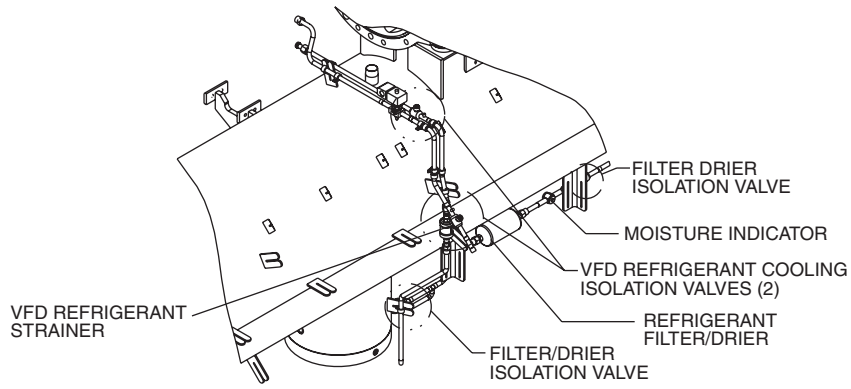
4. Apply thread locking adhesive (P/N 24221 [10 ml] or 24231 [50 ml]) the  $\frac{3}{8}$ -in. - 16 bolts that hold the float valve in place. See Fig. 47 for a view of the float valve design. Inspect the orientation of the float slide pin. It must be pointed toward the bubbler tube for proper operation.
5. Apply gasket sealant (P/N 19XL680-002) to both sides of new gasket when reinstalling cover.



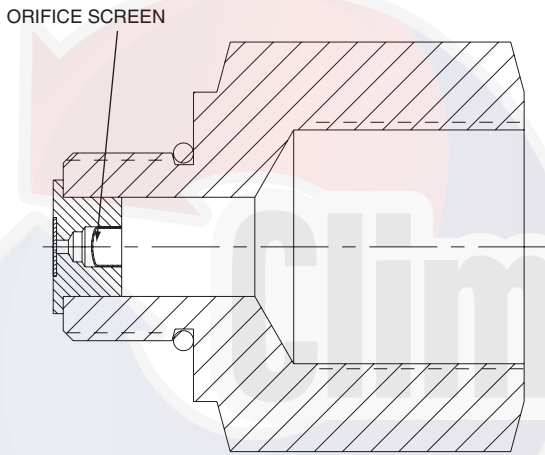
**Fig. 43 — Oil Sump Strainer and Filter**



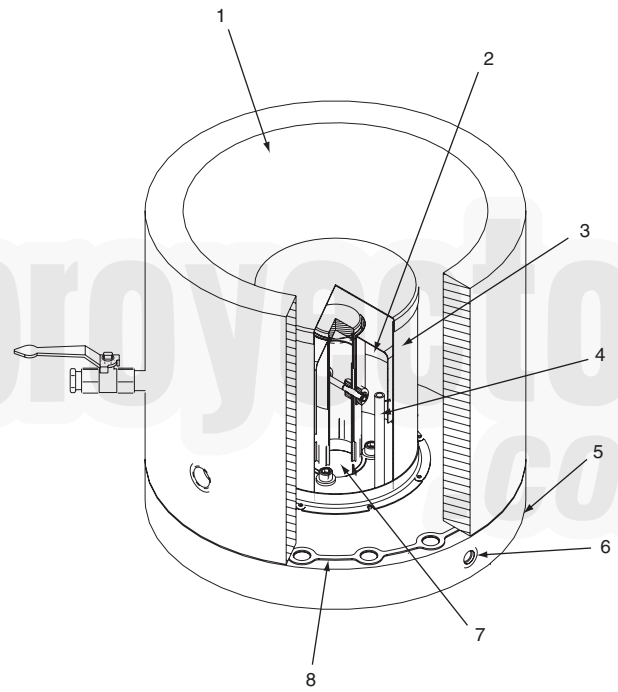
**Fig. 44 — Oil Reclaim Cross Section**



**Fig. 45 — Refrigerant Filter/Drier**



**Fig. 46 — Compressor Inlet Bearing Oil Orifice**



**LEGEND**

- 1 — Refrigerant Inlet from FLASC Chamber
- 2 — Linear Float Assembly
- 3 — Float Screen
- 4 — Bubbler Line
- 5 — Float Cover
- 6 — Bubble Line Connection
- 7 — Refrigerant Outlet to Cooler
- 8 — Gasket

**Fig. 47 — 23XRV Float Valve Design**

**Inspect Relief Valves and Piping** — The relief valves on this chiller protect the system against the potentially dangerous effects of overpressure. To ensure against damage to the equipment and possible injury to personnel, these devices must be kept in peak operating condition. Inspect the relief valves in accordance with local codes.

At a minimum, the following maintenance is required.

1. At least once a year, disconnect the vent piping at the valve outlet and carefully inspect the valve body and mechanism for any evidence of internal corrosion or rust, dirt, scale, leakage, etc.
2. If corrosion or foreign material is found, do not attempt to repair or recondition. *Replace the valve.*
3. If the chiller is installed in a corrosive atmosphere or the relief valves are vented into a corrosive atmosphere, make valve inspections at more frequent intervals.

**Compressor Bearing Maintenance** — The compressor bearings are designed to last for the life of the chiller. The key to good bearing maintenance is proper lubrication. Use the proper grade of oil, maintained at recommended level, temperature, and pressure. Inspect the lubrication system regularly and thoroughly.

Excessive bearing wear can be detected through increased vibration. If this symptom appears, contact an experienced and responsible service organization to perform vibration analysis on the compressor.

**Compressor Rotor Check** — Use Carrier specified oil. Excessive compressor rotor wear is shown by a lack of performance. If a lack of performance is noted, have the compressor rotors inspected by a trained service person.

The rotors can be visually inspected once every 5 to 10 years or as needed depending on chiller operating conditions.

**Motor Insulation** — Periodic checks of the motor insulation are not necessary. A 500V megger test is recommended to assist troubleshooting if there are indications of problems including, but not limited to, moisture in the refrigerant, and chronic current imbalance or over current trips. See guidelines for megger test in the Before Initial Start-Up section on page 48.

**⚠ CAUTION**

The motor leads must be disconnected from the VFD before an insulation test is performed. The voltage generated from the test equipment can damage the solid-state VFD components.

**Inspect the Heat Exchanger Tubes**

**COOLER** — Inspect and clean the cooler tubes at the end of the first operating season. Because these tubes have internal ridges, a rotary-type tube cleaning system is necessary to fully clean the tubes. Upon inspection, the tube condition will determine the scheduled frequency for cleaning, and will indicate whether liquid treatment is adequate in the chilled liquid/brine circuit. Inspect the entering and leaving chilled liquid temperature sensors for signs of corrosion or scale. Replace the sensor if corroded or remove any scale if found.

**CONDENSER** — Since this liquid circuit is usually an open-type system, the tubes may be subject to contamination and scale. Clean the condenser tubes with a rotary tube cleaning system at least once per year and more often if the liquid is contaminated. Inspect the entering and leaving condenser liquid sensors for signs of corrosion or scale. Replace the sensor if corroded or remove any scale if found.

Higher than normal condenser pressures, together with the inability to reach full refrigeration load, usually indicate dirty tubes or air in the chiller. If the refrigeration log indicates a rise above normal condenser pressures, check the condenser refrigerant temperature against the leaving condenser liquid temperature. If this reading is more than what the design difference is supposed to be, then the condenser tubes may be dirty or liquid flow may be incorrect. Because HFC-134a is a high-pressure refrigerant, air usually does not enter the chiller.

During the tube cleaning process, use brushes especially designed to avoid scraping and scratching the tube wall. Contact your Carrier representative to obtain these brushes. *Do not use wire brushes.*

**⚠ CAUTION**

Hard scale may require chemical treatment for its prevention or removal. Consult a liquid treatment specialist for proper treatment. Failure to properly treat liquid could result in property damage or personal injury.

**Water/Brine Leaks** — Moisture in the refrigerant is indicated during chiller operation by the refrigerant moisture indicator on the refrigerant motor cooling line. See Fig. 2. Leaks should be repaired immediately.

**⚠ CAUTION**

The chiller must be dehydrated after repair of liquid leaks. See Chiller Dehydration section, page 55. Failure to dehydrate the chiller after repair of liquid leaks could result in equipment damage or personal injury.

**Water/Brine Treatment** — Untreated or improperly treated water/brine may result in corrosion, scaling, erosion, or algae. The services of a qualified water/brine treatment specialist should be obtained to develop and monitor a treatment program.

**⚠ CAUTION**

Water/brine must be within design flow limits, clean, and treated to ensure proper chiller performance and to reduce the potential of tubing damage due to corrosion, scaling, erosion, and algae. Carrier assumes no responsibility for chiller damage resulting from untreated or improperly treated water/brine.

**Inspect the Control Center** — Before working on any starter, shut off the chiller, open and tag all disconnects supplying power to the control center.

**⚠ WARNING**

Before working on any VFD, shut off the chiller, open and tag all disconnects supplying power to the starter. After disconnecting input power to a VFD and before touching any internal components, wait 5 minutes for the DC bus capacitors to discharge, then check the voltage with a voltmeter. Failure to observe this warning could result in severe bodily injury or death.

**⚠ WARNING**

The disconnect on the front of the control center does not deenergize all internal circuits. Open all internal control power and remote disconnects before servicing the starter.

### ⚠ CAUTION

The motor leads must be disconnected from the VFD before an insulation test is performed. The voltage generated from the tester can damage the drive components.

### ⚠ WARNING

Never open isolating knife switches while equipment is operating. Electrical arcing can cause serious injury.

Periodically vacuum or blow off accumulated debris on the internal parts with a high-velocity, low-pressure blower.

Power connections on newly installed control centers may relax and loosen after a month of operation. Turn power off and retighten. Recheck annually thereafter.

### ⚠ CAUTION

Loose power connections can cause voltage spikes, overheating, malfunctioning, or failures.

**Recalibrate Pressure Transducers** — Once a year, the pressure transducers should be checked against a pressure gage reading. Check all transducers (up to 9): the oil pressure delta P transducers, discharge pressure transducer, the condenser pressure transducer, the cooler pressure transducer, and the optional liquidside pressure transducers (consisting of 4 optional flow devices: 2 cooler, 2 condenser).

Note the evaporator and condenser pressure readings on the HEAT\_EX screen (*EVAPORATOR PRESSURE* and *CONDENSER PRESSURE*). Attach an accurate set of refrigeration gages to the cooler and condenser Schrader fittings. Compare the two readings. If there is a difference in readings, the transducer can be calibrated as described in the Troubleshooting Guide section. Oil differential pressure (*OIL PRESSURE DELTA P* on the COMPRESS screen) should be close to zero whenever the compressor is off. The oil pressure delta P transducers indicate the difference between oil pressure leaving filter and oil sump pressure.

**Optional Pumpout System Maintenance** — For pumpout unit compressor maintenance details, refer to the 19XR Positive Pressure Storage System Installation, Start-Up, and Service Instructions.

**OPTIONAL PUMPOUT COMPRESSOR OIL CHARGE** — Use oil conforming to Carrier specifications for reciprocating compressor usage. Oil requirements are as follows:

- HFC-134a ISO Viscosity . . . . .68 or 220
- Viscosity SSU 100 F (38 C) . . . . .300 or 1005
- Carrier Part Number . . PP23BZ-103 or PP23BZ110005

The total oil charge is 13 oz (0.5 L).

### ⚠ CAUTION

Compressor oil is hygroscopic. Containers should remain tightly sealed in clean and dry environments to prevent moisture absorption from the air.

Oil should be visible in the pumpout compressor sight glass both during operation and at shutdown. Always check the oil level before operating the pumpout compressor. Before adding or changing oil, relieve the refrigerant pressure through the access valves.

Relieve refrigerant pressure and add oil to the pumpout unit as follows:

1. Refer to Fig. 41. Close service valves 2 and 4.
2. Run the pumpout compressor in Automatic mode for one minute or until the vacuum switch is satisfied and compressor shuts off.
3. **Move the pumpout selector switch to OFF.** Pumpout compressor shell should now be under vacuum.
4. Oil can be added to the shell with a hand oil pump through the access valve in the compressor base.

NOTE: Compressor access valve has a self-sealing fitting which will require a hose connection with a depressor to open.

**OPTIONAL PUMPOUT SAFETY CONTROL SETTINGS** (Fig. 48) — The optional pumpout system high-pressure switch should open at 185 psig (1276 kPa) and closes automatically at 140 psig (965 kPa). Check the switch setting by operating the pumpout compressor and slowly throttling the pumpout condenser liquid.

**Ordering Replacement Chiller Parts** — When ordering Carrier specified parts, the following information must accompany an order.

- chiller model number and serial number
- VFD model number and serial number (if applicable)
- name, quantity, and part number of the part required
- delivery address and method of shipment

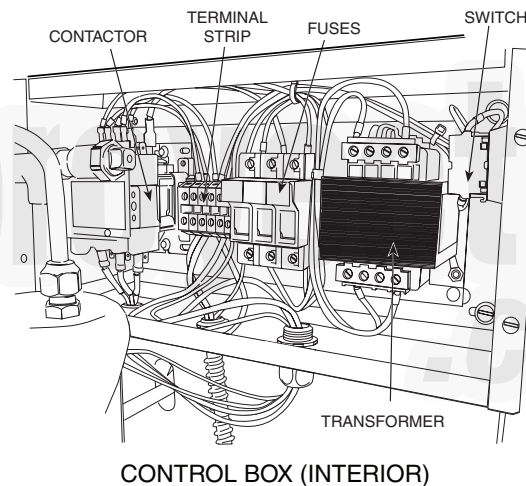


Fig. 48 — Optional Pumpout System Controls

## TROUBLESHOOTING GUIDE

**Overview** — The PIC III has many features to help the operator and technician troubleshoot a 23XRV chiller.

- The ICVC shows the chiller's actual operating conditions and can be viewed while the unit is running.
- The ICVC default screen freezes when an alarm occurs. The freeze enables the operator to view the chiller conditions at the time of alarm. The STATUS screens continue to show current information. Once all alarms have been cleared (by correcting the problems and pressing the **RESET** softkey), the ICVC default screen returns to normal operation.

- The CONTROL ALGORITHM STATUS screens (which include the CAPACITY, OVERRIDE, LL MAINT, VFD HIST, CUR\_ALARM, LOADSHED, WSMDEFME, and OCCDEFM screens) display information that helps to diagnose problems with chilled liquid temperature control, chilled liquid temperature control overrides, hot gas bypass, surge algorithm status, and time schedule operation. Refer to Table 14.
- The CONTROL TEST screen under the SERVICE menu facilitates the proper operation and test of temperature sensors, pressure transducers, oil reclaim output, head pressure output, oil pump, liquid pumps, tower control, and other discrete on/off outputs while the compressor is stopped. It also has the ability to lock out the compressor and turn on liquid pumps for pumpout operation. The ICVC shows the temperatures and pressures required during these operations.
- From other SERVICE tables, the operator or technician can access configured items, such as chilled liquid temperature resets, override set points, etc.
- If an operating fault is detected, an alarm or alert message is generated and displayed on the ICVC default screen. A more detailed message — along with a diagnostic message — is also stored into the ALARM HISTORY and ALERT HISTORY tables. Refer to Tables 15 and 16.
- Review the ALERT HISTORY table to view other less critical events and abnormal conditions which may have occurred. Compare timing of relevant alerts and alarms.

**Checking Display Messages** — The first area to check when troubleshooting the 23XRv chiller is the ICVC display. If the alarm light is flashing, check the primary and secondary message lines on the ICVC default screen (Fig. 15). These messages will indicate where the fault is occurring. These messages contain the alarm message with a specified code. This code or state appears with each alarm and alert message. The ALARM and ALERT HISTORY tables on the ICVC SERVICE menu also contain a message to further expand on the fault condition. Note that the date format in these tables is MM/DD/YY. For a complete list of possible alarm messages, see Table 16. If the alarm light starts to flash while accessing a menu screen, press the **EXIT** softkey to return to the default screen to read the alarm message. The STATUS screen can also be accessed to determine where an alarm exists. A “C” to the right of a parameter value means there is a communications fault on that channel.

**Checking Temperature Sensors** — Except for the motor temperature sensors, all temperature sensors are installed in thermowells. This eliminates the need to drain the refrigerant, oil, or liquid from the chiller to replace the sensor. All temperature sensors are thermistor-type sensors. This means that the resistance of the sensor varies with temperature. All sensors have the same resistance characteristics.

**RESISTANCE CHECK** — Turn off the control power and, from the module, disconnect the terminal plug of the sensor in question. With a digital ohmmeter, measure sensor resistance between receptacles as designated by the wiring diagram.

The resistance and corresponding temperature are listed in Table 17A or 17B. Check the resistance of both wires to ground. This resistance should be infinite.

**VOLTAGE DROP** — The voltage drop across any energized sensor can be measured with a digital voltmeter while the control is energized. Table 17A or 17B lists the relationship between temperature and sensor voltage drop (volts dc measured across the energized sensor). Exercise care when measuring voltage to prevent damage to the sensor leads, connector plugs, and modules. Sensors should also be checked at the sensor plugs. Check the sensor wire at the sensor for 5 vdc if the control is powered on.

**CHECK SENSOR ACCURACY** — Place the sensor in a medium of known temperature and compare that temperature to the measured reading. The thermometer used to determine the temperature of the medium should be of laboratory quality with 0.5° F (.25° C) graduations. The sensor in question should be accurate to within 2° F (1.2° C).

See Fig. 3 for sensor locations. Temperature sensors are inserted into a thermowell in the refrigerant or liquid circuits. When installing a new sensor thermowell, apply a pipe sealant or thread sealant (RCD part number 56507) to the thermowell threads. Coat the temperature sensors with thermally conductive grease (RCD Part Number PP8024) before inserting into the thermowell.

**DUAL MOTOR TEMPERATURE SENSORS** — For servicing convenience, there are 2 sensors on the motor temperature sensor. If one of the sensors is damaged, the other can be used by simply moving a wire. The number 2 terminal in the sensor terminal box is the common line. To use the second sensor, move the wire from the number 1 position to the number 3 position.

**Checking Pressure Transducers** — There are as many as 9 pressure transducers on 23XRv chillers. They determine EVAPORATOR PRESSURE, CONDENSER PRESSURE, oil pressure leaving filter, oil sump pressure, DISCHARGE PRESSURE, and optional CHILLED LIQUID DELTA P and CONDENSER LIQUID DELTA P. The EVAPORATOR PRESSURE and CONDENSER PRESSURE transducers are also used by the PIC III to determine the refrigerant temperatures. The oil pressure delta P (oil pressure leaving filter – oil sump pressure) is calculated by the CCM.

All pressure transducers should be calibrated prior to initial start-up. At high altitude locations, it is necessary to calibrate the transducers to ensure the proper refrigerant temperature/pressure relationship. Each transducer is supplied with 5 vdc power from the CCM. If the power supply fails, a transducer voltage reference alarm (239) is declared. If the transducer reading is suspected of being faulty, check the TRANSDUCER VOLTAGE REF supply voltage. It should be 5 vdc ± .5 v displayed in CONTROL TEST under PRESSURE TRANSDUCERS. If the TRANSDUCER VOLTAGE REF. is correct, the transducer should be recalibrated or replaced.

Also check that inputs on CCM J5-1 through J5-6 have not been grounded and are not receiving anything other than a 4 to 20 mA signal.

COOLER CONDENSER PRESSURE TRANSDUCER AND OPTIONAL LIQUIDSIDE FLOW DEVICE CALIBRATION — Calibration can be checked by comparing the pressure readings from the transducer to an accurate refrigeration gage reading. These readings can be viewed or calibrated from the HEAT\_EX screen on the ICVC. The transducer can be checked and calibrated at 2 pressure points. These calibration points are 0 psig (0 kPa) and between 25 and 250 psig (173 and 1724 kPa). To calibrate these transducers:

1. Shut down the compressor, cooler, and condenser pumps.  
NOTE: There should be no flow through the heat exchangers.
2. Disconnect the transducer in question from its Schrader fitting for cooler or condenser transducer calibration. For oil pressure delta P, the optional cooler and condenser liquid delta P, or flow device calibration, leave the transducer in place.

NOTE: If the cooler or condenser vessels are at 0 psig (0 kPa) or are open to atmospheric pressure, the transducers can be calibrated for zero without removing the transducer from the vessel.

3. Access the HEAT\_EX screen and view the particular transducer reading (the *EVAPORATOR PRESSURE* or *CONDENSER PRESSURE* parameter on the HEAT\_EX screen). To calibrate oil pressure or liquidside flow device, view the particular reading (*CHILLED LIQUID DELTA P* and *CONDENSER LIQUID DELTA P* on the HEAT\_EX screen, and *OIL PRESSURE DELTA P* on the COMPRESS screen). It should read 0 psi (0 kPa). If the reading is not 0 psi (0 kPa), but within  $\pm 5$  psi (35 kPa), the value may be set to zero by pressing the **[SELECT]** softkey while the appropriate transducer parameter is highlighted on the ICVC screen. Then press the **[ENTER]** softkey. The value will now go to zero. No high end calibration is necessary for *OIL PRESSURE DELTA P*, optional *CHILLED LIQUID DELTA P* or *CONDENSER LIQUID DELTA P* or for flow devices.

If the transducer value is not within the calibration range, the transducer returns to the original reading. If the pressure is within the allowed range (noted above), check the voltage ratio of the transducer. To obtain the voltage ratio, divide the voltage (dc) input from the transducer (white wire to black wire) by the TRANSDUCER VOLTAGE REF supply voltage signal (displayed in *CONTROL TEST* menu in the PRESSURE TRANSDUCERS screen). The TRANSDUCER VOLTAGE REF can be measured across the positive (+ red) and negative (– black) leads of the transducer. For example, the condenser transducer reference voltage is measured at CCM terminals J2-4 (black) and J2-6 (red). The condenser transducer input voltage is measured at CCM terminals J2-4 (black) and J2-5 (clear or white). The input voltage to reference voltage ratio must be between 0.80 and 0.11 for the software to allow calibration. Pressurize the transducer until the ratio is within range, then attempt calibration again.

4. A high pressure point can also be calibrated between 25 and 250 psig (172.4 and 1723.7 kPa) by attaching a regulated 250 psig (1724 kPa) pressure (usually from a nitrogen cylinder). The high pressure point can be calibrated by accessing the appropriate transducer parameter on the HEAT\_EX screen, highlighting the parameter, pressing the **[SELECT]** softkey, and then using the **[INCREASE]** or **[DECREASE]** softkeys to adjust the value to the exact pressure on the refrigerant gage. Press the **[ENTER]**

softkey to finish the calibration. Pressures at high altitude locations must be compensated for, so the chiller temperature/pressure relationship is correct.

The PIC III does not allow calibration if the transducer is too far out of calibration. In this case, a new transducer must be installed and re-calibrated. If calibration problems are encountered on the OIL PRESSURE DELTA P channel, sometimes swapping the oil pressure leaving filter and the oil sump pressure transducer locations will offset an adverse transducer tolerance stack up and allow the calibration to proceed.

TRANSDUCER REPLACEMENT — Since the pressure transducers are mounted on Schrader-type fittings, there is no need to remove refrigerant from the vessel when replacing the transducers. Disconnect the transducer wiring by pulling up on the locking tab while pulling up on the weather-tight connecting plug from the end of the transducer. *Do not pull on the transducer wires.* Unscrew the transducer from the Schrader fitting. When installing a new transducer, do not use pipe sealer (which can plug the sensor). Put the plug connector back on the sensor and snap into place. Check for refrigerant leaks.

### ⚠ WARNING

Be sure to use a back-up wrench on the Schrader fitting whenever removing a transducer, since the Schrader fitting may back out with the transducer, causing a large leak and possible injury to personnel.

### Control Algorithms Checkout Procedure —

One of the tables on the ICVC SERVICE menu is CONTROL ALGORITHM STATUS. The maintenance screens may be viewed from the CONTROL ALGORITHM STATUS table to see how a particular control algorithm is operating.

These maintenance screens are very useful in helping to determine how the control temperature is calculated and for observing the reactions from load changes, control point overrides, hot gas bypass, surge prevention, etc. See Table 14.

**Table 14 — Control Algorithm Maintenance Screens**

SCREEN	TITLE	DESCRIPTION
CAPACITY	Capacity Control	This table shows all values used to calculate the chilled liquid control point.
OVERRIDE	Override Status	Details of all chilled liquid and VFD control override values.
LL_MAINT	LEAD/LAG Status	Indicates LEAD/LAG operation status.
VFD_HIST	VFD Alarm History	Displays VFD values at last fault.
LOADSHED	Loadshed Status	Displays Loadshed (Demand Limit) status.
CUR_ALRM	Current Alarm Status	Displays current chiller alarms.
WSMDEFME	Liquid System Manager Status	The liquid system manager is a CCN module that can turn on the chiller and change the chilled liquid control point. This screen indicates the status of this system.
OCCDEFM	Time Schedules Status	The Local and CCN occupied schedules are displayed here to help the operator quickly determine whether the schedule is in the “occupied” mode or not.
HEAT_EX*	HGBP Status	The hot gas bypass control algorithm status is viewed from this screen. All values related to this control are displayed.

\*The HEAT\_EX screen is under the STATUS menu.



**Control Test** — The Control Test feature can check all the thermistor temperature sensors, pressure transducers, pumps and their associated flow devices, the oil reclaim output, the head pressure output, and other control outputs such as tower fans, VFD cooling solenoid, shut trip relay, oil heaters, alarm relay, and hot gas bypass. The tests can help to determine whether a switch is defective or if a pump relay is not operating, as well as other useful troubleshooting issues. During pumpdown operations, the pumps are energized to prevent freeze-up and the vessel pressures and temperatures are displayed. The Pumpdown/Lockout feature prevents compressor start-up when there is no refrigerant in the chiller or if the

vessels are isolated. The Terminate Lockout feature ends the Pumpdown/Lockout after the pumpdown procedure is reversed and refrigerant is added.

### LEGEND FOR TABLES 15A-15J

- CCM** — Chiller Control Module
- CCN** — Carrier Comfort Network
- ICVC** — International Chiller Visual Controller
- CHL** — Chilled Liquid
- PIC III** — Product Integrated Control III
- VFD** — Variable Frequency Drive
- WSM** — Water System Manager

**Table 15 — ICVC Primary and Secondary Messages and Custom Alarm/Alert Messages with Troubleshooting Guides**

<b>A. MANUAL STOP</b>		
<b>PRIMARY MESSAGE</b>	<b>SECONDARY MESSAGE</b>	<b>PROBABLE CAUSE/REMEDY</b>
<b>MANUALLY STOPPED — PRESS</b>	CCN OR LOCAL TO START	PIC III in OFF mode, press CCN or LOCAL softkey to start unit.
<b>TERMINATE PUMPDOWN MODE</b>	TO SELECT CCN OR LOCAL	Enter the CONTROL TEST table and select TERMINATE LOCKOUT to unlock compressor.
<b>SHUTDOWN IN PROGRESS</b>	COMPRESSOR UNLOADING	Chiller unloading before shutdown due to soft/stop feature.
<b>SHUTDOWN IN PROGRESS</b>	COMPRESSOR DEENERGIZED	Chiller compressor is being commanded to stop. Liquid pumps are deenergized within one minute.
<b>ICE BUILD</b>	OPERATION COMPLETE	Chiller shutdown from Ice Build operation.
<b>SHUTDOWN IN PROGRESS</b>	RECYCLE RESTART PENDING	Chiller is shutting down in recycle mode
<b>B. READY TO START</b>		
<b>PRIMARY MESSAGE</b>	<b>SECONDARY MESSAGE</b>	<b>PROBABLE CAUSE/REMEDY</b>
<b>READY TO START IN XX MIN</b>	UNOCCUPIED MODE	Time schedule for PIC III is unoccupied. Chillers will start only when occupied.
<b>READY TO START IN XX MIN</b>	REMOTE CONTACTS OPEN	Remote contacts are open. Close contacts on Terminal Block TB1 to start.
<b>READY TO START IN XX MIN</b>	STOP COMMAND IN EFFECT	Chiller START/STOP on MAINSTAT manually forced to stop. Release force or send START force to start.
<b>READY TO START IN XX MIN</b>	OCCUPIED MODE	Chiller timer counting down. Unit ready to start.
<b>READY TO START IN XX MIN</b>	REMOTE CONTACTS CLOSED	Chiller timer counting down. Unit ready to start. Remote contact enabled and closed. The chiller will stop when the contacts are opened.
<b>READY TO START IN XX MIN</b>	START COMMAND IN EFFECT	Chiller START/STOP on MAINSTAT manually forced to start. Release force to start under normal control.
<b>READY TO START IN XX MIN</b>	RECYCLE RESTART PENDING	Chiller in recycle mode.
<b>READY TO START</b>	UNOCCUPIED MODE	Time schedule for PIC III is unoccupied. Chiller will start when occupied. Make sure the time and date are correct. Change values in TIME AND DATE screen.
<b>READY TO START</b>	REMOTE CONTACTS OPEN	Remote contacts have stopped the chiller. Close contact on Terminal Block TB1 to start.
<b>READY TO START</b>	STOP COMMAND IN EFFECT	Chiller START/STOP on MAINSTAT manually forced to stop. Release point to start.
<b>READY TO START</b>	OCCUPIED MODE	Chiller timer count down complete, unit start will commence.
<b>READY TO START</b>	REMOTE CONTACTS CLOSED	Chiller timer count down complete. Unit ready for start.
<b>READY TO START</b>	START COMMAND IN EFFECT	Chiller START/STOP on MAINSTAT has been manually forced to start. Chiller will start regardless of time schedule or remote contact status.
<b>STARTUP INHIBITED</b>	LOADSHED IN EFFECT	CCN loadshed module commanding chiller to stop.
<b>C. IN RECYCLE SHUTDOWN</b>		
<b>PRIMARY MESSAGE</b>	<b>SECONDARY MESSAGE</b>	<b>PROBABLE CAUSE/REMEDY</b>
<b>RECYCLE RESTART PENDING</b>	OCCUPIED MODE	Unit in recycle mode, chilled liquid temperature is not sufficiently above set point to start.
<b>RECYCLE RESTART PENDING</b>	REMOTE CONTACTS CLOSED	Unit in recycle mode, chilled liquid temperature is not sufficiently above set point to start.
<b>RECYCLE RESTART PENDING</b>	START COMMAND IN EFFECT	Chiller START/STOP on MAINSTAT manually forced to start, chilled liquid temperature is not sufficiently above set point to start.
<b>RECYCLE RESTART PENDING</b>	ICE BUILD MODE	Chiller in ICE BUILD mode. Chilled liquid temperature is satisfied for ICE BUILD conditions.

**Table 15 — ICVC Primary and Secondary Messages and Custom Alarm/Alert Messages with Troubleshooting Guides (cont)**

**D. PRE-START ALERTS:** These alerts are only declared after a start command is issued and only delay start-up. When alert is corrected, the start-up will continue. No reset is necessary.

STATE	PRIMARY MESSAGE	SECONDARY MESSAGE	ALARM MESSAGE PRIMARY CAUSE	ADDITIONAL CAUSE/REMEDY
100	PRESTART ALERT	STARTS LIMIT EXCEEDED	100->Excessive compressor starts (8 in 12 hours)	Depress the RESET softkey if additional start is required. Reassess start-up requirements.
101	PRESTART ALERT	HIGH RECTIFIER TEMP	101->Rectifier Temperature [VALUE] exceeded limit of [LIMIT]*.	Check RECTIFIER TEMPERATURE in POWER screen. Check VFD refrigerant isolation valves. Check VFD power module cooling fan. Check RECTIFIER TEMP OVERRIDE in SETUP1 screen. See Table 5.
102	PRESTART ALERT	HIGH MOTOR TEMPERATURE	102->Comp Motor Winding Temp [VALUE] exceeded limit of [LIMIT]*.	Check COMP MOTOR WINDING TEMP in COMPRESS screen. Check motor temperature sensors for wiring and accuracy. Check motor cooling line for proper operation, or restrictions. Check for excessive starts within a short time span. Check MOTOR TEMP OVERRIDE in SETUP1 screen. See Table 5.
103	PRESTART ALERT	HIGH DISCHARGE TEMP	103->Comp Discharge Temp [VALUE] exceeded limit of [LIMIT]*.	Check COMP DISCHARGE TEMP in COMPRESS screen. Allow Compressor Discharge Sensor to cool. Check for Compressor Discharge sensor wiring and accuracy. Check for excessive starts. Check COMP DISCHARGE ALERT in SETUP1 screen. See Table 5.
104	PRESTART ALERT	LOW REFRIGERANT TEMP	104->Evaporator Refrig Temp [VALUE] exceeded limit of [LIMIT]*.	Check EVAPORATOR PRESSURE in HEATEX screen. Check Evaporator Pressure transducer wiring and accuracy. Check for low chilled fluid supply temperatures. Check refrigerant charge. Check REFRIG OVERRIDE DELTA T in SETUP1 screen. See Table 5.
105	PRESTART ALERT	LOW OIL TEMPERATURE	105->Oil Sump Temp [VALUE] exceeded limit of [LIMIT]*.	Check OIL SUMP TEMP in ICVC default screen. Check Oil Sump Temperature sensor wiring and accuracy. Check 1C oil heater contactor/relay and power. Check oil level and oil pump operation. Confirm that oil reclaim valve is closed when chiller is not running. See Table 5. Check oil heater element for carbon build-up.
106	PRESTART ALERT	HIGH CONDENSER PRESSURE	106->Condenser Pressure [VALUE] exceeded limit of [LIMIT]*.	Check CONDENSER PRESSURE in HEATEX screen. Check Condenser Pressure transducer wiring and accuracy. Check for high condenser liquid temperatures. Check COND PRESS OVERRIDE in SETUP1 screen. See Table 5.
107	PRESTART ALERT	LOW LINE VOLTAGE	107->Percent Line Voltage [VALUE] exceeded limit of [LIMIT]*.	Check Line Voltage in POWER screen Check voltage supply. Check voltage transformers. Consult power utility if voltage is low. Check FU1, FU2, and FU3 in the VFD. Check connectors on VFD Line Synch Printed Circuit Board. See Table 5.
108	PRESTART ALERT	HIGH LINE VOLTAGE	108->Percent Line Voltage [VALUE] exceeded limit of [LIMIT]*.	Check Line Voltage in POWER screen. Check voltage supply. Check power transformers. Consult power utility if voltage is high. See Table 5.
109	PRESTART ALERT	HIGH INVERTER TEMP	109->Inverter Temperature [VALUE] exceeded limit of [LIMIT]*.	Check INVERTER TEMPERATURE in POWER screen. Check VFD refrigerant isolation valves. Check VFD power module cooling fan. Check INVERTER TEMP OVERRIDE in SETUP1 screen. See Table 5.

\*[LIMIT] is shown on the ICVC as temperature, pressure, voltage, etc., predefined or selected by the operator as an override or an alert. [VALUE] is the actual pressure, temperature, voltage, etc., at which the control tripped.

**Table 15 — ICVC Primary and Secondary Messages and Custom Alarm/Alert Messages with Troubleshooting Guides (cont)**

**E. START-UP IN PROGRESS**

PRIMARY MESSAGE	SECONDARY MESSAGE	CAUSE/REMEDY
STARTUP IN PROGRESS	OCCUPIED MODE	Chiller is starting. Time schedule is occupied (OCCUPIED? = YES).
STARTUP IN PROGRESS	REMOTE CONTACT CLOSED	Chiller is starting. REMOTE CONTACTS OPTION is set to ENABLE. Remote contacts input on terminal block TB1 terminals 23 and 24 are closed.
STARTUP IN PROGRESS	START COMMAND IN EFFECT	Chiller is starting. CHILLER START/STOP in MAINSTAT manually forced to START.
AUTORESTART IN PROGRESS	OCCUPIED MODE	Chiller is starting after power failure. Time schedule is occupied (OCCUPIED? = YES).
AUTORESTART IN PROGRESS	REMOTE CONTACT CLOSED	Chiller is starting after power failure. REMOTE CONTACTS OPTION is set to ENABLE. Remote contacts input on terminal block TB1 terminals 23 and 24 are closed.
AUTORESTART IN PROGRESS	START COMMAND IN EFFECT	Chiller is starting after power failure. CHILLER START/STOP on MAINSTAT manually forced to START.

**F. NORMAL RUN**

PRIMARY MESSAGE	SECONDARY MESSAGE	CAUSE/REMEDY
RUNNING — RESET ACTIVE	BY 4-20 mA SIGNAL	Auto chilled liquid reset active based on external input. ENABLE RESET TYPE =1. A non-zero temperature reset based on a 4-20 mA signal on CCM J5-3 and J5-4 is being added to the SETPOINT to determine the CONTROL POINT. See TEMP_CTL screen.
RUNNING — RESET ACTIVE	REMOTE TEMP SENSOR	Auto chilled liquid reset active based on external input. ENABLE RESET TYPE =2. A non-zero temperature reset based on the remote sensor signal on CCM J4-13 and J4-14 is being added to the SETPOINT to determine the CONTROL POINT. See TEMP_CTL screen.
RUNNING — RESET ACTIVE	CHL TEMP DIFFERENCE	Auto chilled liquid reset active based on cooler DT. ENABLE RESET TYPE =3. A non-zero temperature reset based on the difference between the ENTERING CHILLED LIQUID and LEAVING CHILLED LIQUID is being added to the SETPOINT to determine the CONTROL POINT. See TEMP_CTL screen.
RUNNING — TEMP CONTROL	LEAVING CHILLED LIQUID	Default method of temperature control. ECL CONTROL OPTION = DSABLE. Chiller capacity is being controlled so the LEAVING CHILLED LIQUID temperature is being maintained within 1/2 of the CHILLED LIQUID DEADBAND on either side of the CONTROL POINT. See TEMP_CTL screen.
RUNNING — TEMP CONTROL	ENTERING CHILLED LIQUID	Entering Chilled Liquid (ECL) control enabled. ECL CONTROL OPTION = ENABLE. Chiller capacity is being controlled so the ENTERING CHILLED LIQUID temperature is being maintained within 1/2 of the CHILLED LIQUID DEADBAND on either side of the CONTROL POINT. See TEMP_CTL screen.
RUNNING — TEMP CONTROL	TEMPERATURE RAMP LOADING	Ramp Loading based on LEAVING CHILLED LIQUID or ENTERING CHILLED LIQUID is in effect. PULLDOWN RAMP TYPE = 0. Capacity inhibit is in effect because LEAVING CHILLED LIQUID or ENTERING CHILLED LIQUID has fallen below the ramping temperature pulldown setpoint. See RAMP_DEM screen.
RUNNING — DEMAND LIMITED	BY DEMAND RAMP LOADING	Ramp Loading based on PERCENT LINE CURRENT or PERCENT LINE KILOWATTS is in effect. PULLDOWN RAMP TYPE = 0. Capacity inhibit is in effect because PERCENT LINE CURRENT or PERCENT LINE KILOWATTS has exceeded the ramping active demand limit. See RAMP_DEM screen.
RUNNING — DEMAND LIMITED	BY LOCAL DEMAND SETPOINT	Actual demand has exceeded ACTIVE DEMAND LIMIT. 20mA DEMAND LIMIT OPTION is DISABLED. ACTIVE DEMAND LIMIT is set equal to BASED DEMAND LIMIT. PERCENT LINE CURRENT or PERCENT LINE KILOWATTS is greater than ACTIVE DEMAND LIMIT.
RUNNING — DEMAND LIMITED	BY 4-20 mA SIGNAL	Actual demand has exceeded ACTIVE DEMAND LIMIT. 20mA DEMAND LIMIT OPTION is ENABLED. ACTIVE DEMAND LIMIT is adjusted based on 4-20 mA signal received on CCM J5-1 and J5-2. PERCENT LINE CURRENT or PERCENT LINE KILOWATTS is greater than ACTIVE DEMAND LIMIT.
RUNNING — DEMAND LIMITED	BY CCN SIGNAL	Actual demand has exceeded ACTIVE DEMAND LIMIT. Chiller CONTROL MODE = CCN. Value of ACTIVE DEMAND LIMIT is being forced by a CCN device. PERCENT LINE CURRENT or PERCENT LINE KILOWATTS is greater than ACTIVE DEMAND LIMIT.
RUNNING — DEMAND LIMITED	BY LOADSHED/REDLINE	Actual demand has exceeded ACTIVE DEMAND LIMIT. Chiller CONTROL MODE = CCN. Value of ACTIVE DEMAND LIMIT was set equal to PERCENT LINE CURRENT or PERCENT LINE KILOWATTS at the time a Redline command was received by the loadshed POC. PERCENT LINE CURRENT or PERCENT LINE KILOWATTS is greater than ACTIVE DEMAND LIMIT. See LOADSHED screen.
RUNNING — TEMP CONTROL	HOT GAS BYPASS	HOT GAS BYPASS OPTION is set to ENABLE and HOT GAS BYPASS RELAY is ON.
RUNNING — DEMAND LIMITED	BY LOCAL SIGNAL	ACTIVE DEMAND LIMIT has been manually forced on MAINSTAT screen.
RUNNING — TEMP CONTROL	ICE BUILD MODE	ICE BUILD OPTION is set to ENABLE and chiller is running under Ice Build temperature control.
RUNNING — DEMAND LIMITED	MOTOR LOAD CURRENT	Actual demand has exceeded ACTIVE DEMAND LIMIT. Capacity inhibit is active because PERCENT LOAD CURRENT is greater than 100%.
RUNNING — DEMAND LIMITED	VFD LINE CURRENT	Actual demand has exceeded ACTIVE DEMAND LIMIT. Capacity inhibit is active because PERCENT LINE CURRENT exceeds 100%.

**Table 15 — ICVC Primary and Secondary Messages and Custom Alarm/Alert Messages with Troubleshooting Guides (cont)**

**G. NORMAL RUN WITH OVERRIDES**

STATE	PRIMARY MESSAGE	SECONDARY MESSAGE	ALARM MESSAGE PRIMARY CAUSE	ADDITIONAL CAUSE/REMEDY
120	<b>RUN CAPACITY LIMITED</b>	HIGH CONDENSER PRESSURE	120->Condenser Pressure [VALUE] exceeded limit of [LIMIT]*.	Check for high condenser liquid temperatures. Check COND PRESS OVERRIDE setting in SETUP1.
121	<b>RUN CAPACITY LIMITED</b>	HIGH MOTOR TEMPERATURE	121->Comp Motor Winding Temp [VALUE] exceeded limit of [LIMIT]*.	Check motor cooling lines. Check for closed valves. Check COMP MOTOR TEMP OVERRIDE setting in SETUP1.
122	<b>RUN CAPACITY LIMITED</b>	LOW EVAP REFRIG TEMP	122->Evaporator Refrig Temp [VALUE] exceeded limit of [LIMIT]*.	Check REFRIG OVERRIDE DELTA T setting in SETUP1 screen. Check refrigerant charge. Check for low entering cooler temperatures.
123	<b>RUN CAPACITY LIMITED</b>	HIGH RECTIFIER TEMP	123->Rectifier Temperature [VALUE] exceeded limit of [LIMIT]*	Check VFD refrigerant isolation valves. Check VFD refrigerant cooling solenoid valve. Check RECTIFIER TEMP OVERRIDE in SETUP1 screen.
124	<b>RUN CAPACITY LIMITED</b>	MANUAL SPEED CONTROL		TARGET VFD SPEED in COMPRESS screen is forced to a fixed value.
125	<b>RUN CAPACITY LIMITED</b>	HIGH INVERTER TEMP	125->Inverter Temperature [VALUE] exceeded limit of [LIMIT]*	Check VFD refrigerant isolation valves. Check VFD refrigerant cooling solenoid valve. Check INVERTER TEMP OVERRIDE in SETUP1 screen.
126	<b>RUN CAPACITY OVERRIDE</b>	COMP MIN SPEED IN EFFECT		TARGET VFD SPEED is clamped to COMP MINIMUM SPEED due to oil viscosity.
127	<b>RUN CAPACITY OVERRIDE</b>	COMP MAX SPEED LIMITED		TARGET VFD SPEED is clamped to VFD MAXIMUM SPEED. Check VFD MAXIMUM SPEED in SETUP2 screen.

\*[LIMIT] is shown on the ICVC as the temperature, pressure, voltage, etc., set point predefined or selected by the operator as an override, alert, or alarm condition. [VALUE] is the actual pressure, temperature, voltage, etc., at which the control has recorded at the time of the fault condition.

**H. OUT-OF-RANGE SENSOR ALARMS**

STATE	PRIMARY MESSAGE	SECONDARY MESSAGE	ALARM MESSAGE PRIMARY CAUSE	ADDITIONAL CAUSE/REMEDY
260	<b>SENSOR FAULT</b>	LEAVING CHILLED LIQUID	260->Sensor Fault: Check Leaving Chilled Liquid Sensor	Check sensor resistance or voltage drop against Table 17A or 17B. Check for proper wiring between Leaving Chilled Liquid Temperature sensor and CCM. Check for grounded sensor lead. See Table 5.
261	<b>SENSOR FAULT</b>	ENTERING CHILLED LIQUID	261->Sensor Fault: Check Entering Chilled Liquid Sensor	Check sensor resistance or voltage drop against Table 17A or 17B. Check for proper wiring between Entering Chilled Liquid Sensor and CCM. Check for grounded sensor lead. See Table 5.
262	<b>SENSOR FAULT</b>	CONDENSER PRESSURE	262->Sensor Fault: Check Condenser Pressure Sensor	Confirm that 5V Reference voltage is available on CCM. Check sensor voltage drop. Check for proper wiring between Condenser Pressure Sensor and CCM. Check for grounded sensor lead. Check for condensation inside of pressure sensor connector. See Table 5.
263	<b>SENSOR FAULT</b>	EVAPORATOR PRESSURE	263->Sensor Fault: Check Evaporator Pressure Sensor	Confirm that 5V Reference voltage is available on CCM. Check sensor voltage drop. Check for proper wiring between Evaporator Pressure Sensor and CCM. Check for grounded sensor lead. Check for condensation inside of pressure sensor connector. See Table 5.
264	<b>SENSOR FAULT</b>	OIL PRESS SENSOR FAULT	264->Sensor Fault: Check Oil Pressure Delta P Sensor	Confirm that 5V Reference voltage is available on CCM. Check sensor voltage drops. Check for proper wiring between Oil Sump Pressure and Oil Pressure Leaving Filter Sensors and CCM. Check for grounded sensor lead. Check for condensation inside of pressure sensor connectors. See Table 5.

**Table 15 — ICVC Primary and Secondary Messages and Custom Alarm/Alert Messages with Troubleshooting Guides (cont)**

**H. OUT-OF-RANGE SENSOR ALARMS (cont)**

STATE	PRIMARY MESSAGE	SECONDARY MESSAGE	ALARM MESSAGE PRIMARY CAUSE	ADDITIONAL CAUSE/REMEDY
266	SENSOR FAULT	OIL SUMP TEMP	266->Sensor Fault: Check Oil Sump Temp Sensor	Check sensor resistance or voltage drop against Table 17A or 17B. Check for proper wiring between Oil Sump Pressure Sensor and CCM. Check for grounded sensor lead. See Table 5.
267	SENSOR FAULT	COMP DISCHARGE TEMP	267->Sensor Fault: Check Comp Discharge Temp Sensor	Check sensor resistance or voltage drop against Table 17A or 17B. Check for proper wiring between sensor and CCM. Check for grounded sensor lead. See Table 5.
268	SENSOR FAULT	CHILLED LIQUID FLOW	268->Sensor Fault: Check Chilled Liquid Delta P Sensor	Check for 4.3 kohm load resistor on J3-14 and J3-15. Check for jumper between J3-17 and J3-18. Confirm that 5V Reference voltage is available on CCM. See Table 5. Check sensor voltage drops. Check for proper wiring between optional Entering Chilled Liquid Pressure and Leaving Chilled Liquid Pressure Sensors and CCM. Check for grounded sensor lead. Check for condensation inside of optional pressure sensor connectors. J3-17 to J3-18 jumper must be replaced with a 4.3 kohm resistor if optional flow switch is installed, see Certified Prints.
269	SENSOR FAULT	COND LIQUID FLOW	269->Sensor Fault: Check Cond Liquid Delta P Sensor	Check for 4.3 kohm load resistor on J3-20 and J3-21. Check for jumper between J3-23 and J3-24. Confirm that 5V Reference voltage is available on CCM. See Table 5. Check sensor voltage drops. Check for proper wiring between optional Entering Condenser Liquid Pressure and Leaving Condenser Liquid Pressure Sensors and CCM. Check for grounded sensor lead. Check for condensation inside of optional pressure sensor connectors. J3-17 to J3-18 jumper must be replaced with a 4.3 kohm resistor if optional flow switch is installed, see Certified Prints.
270	SENSOR FAULT	EVAP REFRIG LIQUID TEMP	270->Sensor Fault: Check Evap Refrig Liquid Temp Sensor	Check sensor resistance or voltage drop against Table 17A or 17B. Check for proper wiring between Evaporator Refrigerant Liquid Temperature Sensor and CCM. Check for grounded sensor lead. See Table 5.
271	SENSOR FAULT	VAPORIZER TEMP	271->Sensor Fault: Check Vaporizer Temp Sensor	Check sensor resistance or voltage drop against Table 17A or 17B. Check for proper wiring between Vaporizer Temperature Sensor and CCM. Check for grounded sensor lead. See Table 5.
272	SENSOR FAULT	DISCHARGE PRESSURE	272->Sensor Fault: Check Discharge Pressure Sensor	Confirm that 5V Reference voltage is available on CCM. Check sensor voltage drop. Check for proper wiring between Compressor Discharge Pressure Sensor and CCM. Check for grounded sensor lead. Check for condensation inside of pressure sensor connector. See Table 5.

**Table 15 — ICVC Primary and Secondary Messages and Custom Alarm/Alert Messages with Troubleshooting Guides (cont)**

**I. CHILLER PROTECTIVE LIMIT FAULTS**

STATE	PRIMARY MESSAGE	SECONDARY MESSAGE	ALARM MESSAGE PRIMARY CAUSE	ADDITIONAL CAUSE/REMEDY
200	PROTECTIVE LIMIT	RECTIFIER POWER FAULT	200->Rectifier Power Fault: Check VFD Status	Check VFD FAULT CODE in VFD_HIST screen. See VFD FAULT CODES in Table 16.
201	PROTECTIVE LIMIT	INVERTER POWER FAULT	201->Inverter Power Fault: Check VFD Status	Check VFD FAULT CODE in VFD_HIST screen. See VFD FAULT CODES in Table 16.
202	PROTECTIVE LIMIT	MOTOR AMPS NOT SENSED	202->Motor Amps Not Sensed — Average Load Current [VALUE]	Check main circuit breaker for trip. Check VFD FAULT CODE in VFD_HIST screen. See VFD FAULT CODES in Table 16. Check MOTOR RATED LOAD AMPS setting in VFD_CONF screen. See Table 5.
203	FAILURE TO START	MOTOR ACCELERATION FAULT	203->Motor Acceleration Fault — Average Load Current [VALUE]	Check starter for proper operation. Reduce Condenser pressure if possible. Check VFD FAULT CODE in VFD_HIST screen. See VFD FAULT CODES in Table 16. Check MOTOR RATED LOAD AMPS setting in VFD_CONF screen. See Table 5.
204	FAILURE TO STOP	VFD SHUTDOWN FAULT	204->VFD Shutdown Fault: Check Inverter Power Unit	Check VFD FAULT CODE in VFD_HIST screen. See VFD FAULT CODES in Table 16. See Table 5.
205	PROTECTIVE LIMIT	HIGH DC BUS VOLTAGE	205->High DC Bus Voltage: [VALUE] exceeded limit of [LIMIT]*	Check DC BUS VOLTAGE and VFD FAULT CODE in VFD_HIST screen. See VFD FAULT CODES in Table 16.
206	PROTECTIVE LIMIT	VFD FAULT	206->VFD Fault Code: [VALUE]; Check VFD Fault Code List	Check DC BUS VOLTAGE and VFD FAULT CODE in VFD_HIST screen. See VFD FAULT CODES in Table 16.
207	PROTECTIVE LIMIT	HIGH CONDENSER PRESSURE	207->High Cond Pressure trip. [VALUE] exceeded Switch Trippoint.	Check for electrical continuity across High Pressure Switch. Check connections at VFD A33 Gate Kill Terminals. Check for high condenser water temperatures, low water flow, fouled tubes. Check for division plate/gasket bypass. Check for noncondensables in refrigerant. Check Condenser Pressure transducer wiring and accuracy. See Table 5.
208	PROTECTIVE LIMIT	EXCESSIVE MOTOR AMPS	208->Percent Load Current [VALUE] exceeded limit of [LIMIT]*.	Check Load Currents in VFD_HIST screen. Check MOTOR RATED LOAD AMPS setting in VFD_CONF screen. Check condenser water flow. See Table 5.
209	PROTECTIVE LIMIT	LINE CURRENT IMBALANCE	209->Line Current Imbalance: Check VFD Fault History for Values.	Check LINE CURRENTs and VFD FAULT CODE in VFD_HIST screen. See VFD FAULT CODES in Table 16. Check LINE CURRENT IMBALANCE settings in VFD_CONF screen. Check power distribution bus. Consult power company. See Table 5.
210	PROTECTIVE LIMIT	LINE VOLTAGE DROPOUT	210->Single Cycle Line Voltage Dropout	Check LINE VOLTAGE and VFD FAULT CODE in VFD_HIST screen. See VFD FAULT CODES in Table 16. Check SINGLE CYCLE DROPOUT setting in VFD_CONF screen. See Table 5.
211	PROTECTIVE LIMIT	HIGH LINE VOLTAGE	211->High Percent Line Voltage [VALUE]	Check LINE VOLTAGE and VFD FAULT CODE in VFD_HIST screen. See VFD FAULT CODES in Table 16. See Table 5. Check distribution bus. Consult power company.
212	PROTECTIVE LIMIT	LOW LINE VOLTAGE	212->Low Percent Line Voltage [VALUE]	Check LINE VOLTAGE and VFD FAULT CODE in VFD_HIST screen. See VFD FAULT CODES in Table 16. See Table 5. Check distribution bus. Consult power company.
213	PROTECTIVE LIMIT	VFD MODULE RESET	213->VFD Module Power-On Reset When Running	Check LINE VOLTAGE and VFD FAULT CODE in VFD_HIST screen. See VFD FAULT CODES in Table 16.
214	PROTECTIVE LIMIT	POWER LOSS	214->Control Power Loss When Running	Check LINE VOLTAGE in VFD_HIST screen. Check control power voltage on ICVC terminal J1. See Table 5. Check distribution bus. Consult power company.

\*[LIMIT] is shown on the ICVC as the temperature, pressure, voltage, etc., set point predefined or selected by the operator as an override, alert, or alarm condition. [VALUE] is the actual pressure, temperature, voltage, etc., at which the control tripped.

**Table 15 — ICVC Primary and Secondary Messages and Custom Alarm/Alert Messages with Troubleshooting Guides (cont)**

**I. CHILLER PROTECTIVE LIMIT FAULTS (cont)**

STATE	PRIMARY MESSAGE	SECONDARY MESSAGE	ALARM MESSAGE PRIMARY CAUSE	ADDITIONAL CAUSE/REMEDY
215	PROTECTIVE LIMIT	LOW DC BUS VOLTAGE	215->Low DC Bus Voltage: [VALUE] exceeded limit of [LIMIT]*	Check DC BUS VOLTAGE and VFD FAULT CODE in VFD_HIST screen. See VFD FAULT CODES in Table 16. See Table 5.
216	PROTECTIVE LIMIT	LINE VOLTAGE IMBALANCE	216->Line Voltage Imbalance; Check VFD Fault History for Values.	Check LINE VOLTAGE and VFD FAULT CODE in VFD_HIST screen. See VFD FAULT CODES in Table 16. See Table 5. Check power distribution bus. Check LINE VOLTAGE IMBALANCE settings in VFD_CONF screen.
217	PROTECTIVE LIMIT	MOTOR OVERLOAD TRIP	217->Motor Overload Trip; Check VFD configurations	Check LOAD CURRENT and VFD FAULT CODE in VFD_HIST screen. See VFD FAULT CODES in Table 16. Check MOTOR RATED LOAD AMPS in VFD_CONF screen. See Table 5.
218	PROTECTIVE LIMIT	VFD RECTIFIER OVERTEMP	218->VFD Rectifier Temp Exceeded; Check Cooling and VFD Config.	Check VFD FAULT CODE in VFD_HIST screen. See VFD FAULT CODES in Table 16. See Table 5. Check VFD refrigerant isolation valves and solenoid valve. Check cooling fan on bottom of VFD power module. Configure RECTIFIER TEMP OVERRIDE in SETUP1 screen.
219	PROTECTIVE LIMIT	VFD INVERTER OVERTEMP	219->VFD Inverter Temp Exceeded; Check Cooling and VFD Config.	Check VFD FAULT CODE in VFD_HIST screen. See VFD FAULT CODES in Table 16. See Table 5. Check VFD refrigerant isolation valves and solenoid valve. Check cooling fan on bottom of VFD power module. Configure INVERTER TEMP OVERRIDE in SETUP1 screen.
220	PROTECTIVE LIMIT	GROUND FAULT	220->Ground Fault Trip; Check Motor and Current Sensors	Check GROUND FAULT CURRENT and VFD FAULT CODE in VFD_HIST screen. See VFD FAULT CODES in Table 16. See Table 5.
221	PROTECTIVE LIMIT	MOTOR ROTATION REVERSED	221->Motor Rotation Reversed; Check Wiring from VFD to Motor	Check if discharge pressure sensor is out of range in CONTROL TEST screen. See Table 5. Check resistor between CCM J3-7 and J3-8.
222	PROTECTIVE LIMIT	LINE FREQUENCY TRIP	222->Line Frequency [VALUE]; Check Power Supply.	Check LINE FREQUENCY and VFD FAULT CODE in VFD_HIST screen. See VFD FAULT CODES in Table 16. See Table 5.
223	LOSS OF COMMUNICATION	WITH VFD GATEWAY MODULE	223->Loss of SIO Comm with VFD Gateway; Check VFG Module and Power	Check SIO communication harness between the Gateway and the J7 CCM connector. Check status lights on CCM and Gateway per Fig. 50 and 52.
224	PROTECTIVE LIMIT	VFD COMMUNICATIONS FAULT	224->Loss of DPI Comm with VFD Gateway; Check VFG to VFD Comm.	Check ribbon cable and connectors between the Gateway and the VFD DPI Communications Interface Board per Fig. 50 and 52.
225	PROTECTIVE LIMIT	MOTOR CURRENT IMBALANCE	225->Motor Current Imbalance; Check VFD Fault History for Values.	Check LOAD CURRENT and VFD FAULT CODE in VFD_HIST screen. See VFD FAULT CODES in Table 16. See Table 5. Check power distribution bus. Check MOTOR CURRENT IMBALANCE settings in VFD_CONF screen.
226	PROTECTIVE LIMIT	LINE PHASE REVERSAL	226->Line Phase Reversal; Check Line Phases	Check VFD FAULT CODE in VFD_HIST screen. See VFD FAULT CODES in Table 16.
227	PROTECTIVE LIMIT	OIL PRESS SENSOR FAULT	227->Oil Pressure Delta P [VALUE] (Pump Off); Check Pump/Transducers	See Table 5. Select OIL PRESSURE DELTA P in COMPRESS screen to calibrate sensors. Check OIL SUMP PRESSURE and OIL PRESSURE LEAVING FILTER pressure transducer wiring and voltage drop. Check oil line isolation valves.

\*[LIMIT] is shown on the ICVC as the temperature, pressure, voltage, etc., set point predefined or selected by the operator as an override, alert, or alarm condition. [VALUE] is the actual pressure, temperature, voltage, etc., at which the control tripped.

**Table 15 — ICVC Primary and Secondary Messages and Custom Alarm/Alert Messages with Troubleshooting Guides (cont)**

**I. CHILLER PROTECTIVE LIMIT FAULTS (cont)**

STATE	PRIMARY MESSAGE	SECONDARY MESSAGE	ALARM MESSAGE PRIMARY CAUSE	ADDITIONAL CAUSE/REMEDY
228	PROTECTIVE LIMIT	LOW OIL PRESSURE	228->Low Operating Oil Pressure [VALUE]: Check Oil Pump and Filter	Check oil level in Oil Sump sight glasses. Check OIL SUMP PRESSURE and OIL PRESSURE LEAVING FILTER transducer wiring and voltage drop. See Table 5. Check power supply to pump and pump operation. Look for oil flow through vaporizer drain sight glass when chiller is running. Check for partially closed isolation valves. Check oil filter. Check for foaming oil at start-up in oil sump. Check OIL PRESSURE DELTA P transducer calibration in COMPRESS screen. Check vaporizer and oil sump heaters and contactors.
229	PROTECTIVE LIMIT	LOW CHILLED LIQUID FLOW	229->Low Chilled Liquid Flow; Check Switch/Delta P Config & Calibration	Perform Pump Control Test in CONTROLS TEST screen. Check EVAP REFRIG LIQUID TEMP and LEAVING CHILLER LIQUID sensor accuracy and wiring. See Table 5. Check chilled liquid valves, pumps, and strainers. Check EVAP REFRIG TRIPPOINT, EVAP APPROACH ALERT, and EVAP FLOW DELTA P CUTOFF, and LIQUID FLOW VERIFY TIME settings. Check optional liquid flow switches or liquid delta P transducer calibration.
230	PROTECTIVE LIMIT	LOW CONDENSER LIQUID FLOW	230->Low Condenser Liquid Flow; Check Switch/Delta P Config & Calibration	Perform Pump Control Test in CONTROLS TEST screen. See Table 5. Check CONDENSER PRESSURE and LEAVING COND LIQUID sensors accuracy and wiring. Check condenser liquid valves, pumps, and strainers. Check COND APPROACH ALERT, COND PRESS OVERRIDE, LIQUID FLOW VERIFY TIME, and COND FLOW DELTA P CUTOFF settings. Check optional liquid flow switches or liquid delta P transducer calibration.
231	PROTECTIVE LIMIT	HIGH DISCHARGE TEMP	231->Comp Discharge Temp [VALUE] Exceeded Limit of [LIMIT]*	Check discharge isolation valve position. See Table 5. Check COMP DISCHARGE TEMP sensor resistance or voltage drop. Check for proper COMP DISCHARGE TEMP sensor wiring. Check for proper condenser flow and temperature. Check for fouled tubes, plugged liquid strainers or noncondensables in the system.
232	PROTECTIVE LIMIT	LOW REFRIGERANT TEMP	232->Evaporator Refrig Temp [VALUE] exceeded limit of [LIMIT]*.	Alarm declared when chiller is running, see Table 5. Check Cooler Refrig Liquid Line Isolation Valve Position. Check for proper refrigerant charge. Check Condenser Float Valve operation, check if CHILLED LIQUID APPROACH decreases when CONDENSER PRESSURE increases. Check EVAP APPROACH ALERT setting. Check for proper fluid flow and temperature against chiller design conditions.
233	PROTECTIVE LIMIT	HIGH MOTOR TEMPERATURE	233->Comp Motor Winding Temp [VALUE] exceeded limit of [LIMIT]*.	Check COMP MOTOR WINDING TEMP sensor wiring and accuracy. See Table 5. Check motor cooling line for proper operation, restrictions, and isolation valve position. Check motor cooling filter/drier and look for refrigerant flow through motor cooling sight glass. Check for excessive starts within a short time span. The high motor temperature switch in the windings or the motor temperature sensor circuit is open if COMP MOTOR WINDING TEMP = 245 F(118 C).

\*[LIMIT] is shown on the ICVC as the temperature, pressure, voltage, etc., set point predefined or selected by the operator as an override, alert, or alarm condition. [VALUE] is the actual pressure, temperature, voltage, etc., at which the control tripped.



**Table 15 — ICVC Primary and Secondary Messages and Custom Alarm/Alert Messages with Troubleshooting Guides (cont)**

**I. CHILLER PROTECTIVE LIMIT FAULTS (cont)**

STATE	PRIMARY MESSAGE	SECONDARY MESSAGE	ALARM MESSAGE PRIMARY CAUSE	ADDITIONAL CAUSE/REMEDY
234	PROTECTIVE LIMIT	LOW OIL PRESSURE	234->Low Prelube Oil Press [VALUE]; Check Oil Pump & Filter	Check for low oil level in oil sump sight glass. See Table 5. Refrigerant has not been adequately removed from the oil if bubbling can be observed through oil sump sight glass. Check vaporizer and oil sump heaters and contactors. Check OIL PRESS VERIFY TIME.
235	PROTECTIVE LIMIT	HIGH CONDENSER PRESSURE	235->Condenser Pressure [VALUE] exceeded limit of [LIMIT]*.	Check for high condenser liquid temperatures against chiller design conditions. See Table 5. Check Condenser Approach in HEATEX screen. Check for low liquid flow, plugged liquid strainers, and fouled tubes. Check for division plate/gasket bypass. Check for noncondensables in refrigerant. Check CONDENSER PRESSURE transducer wiring and accuracy. Configure COND PRESS OVERRIDE in SETUP1 screen.
236	PROTECTIVE LIMIT	CCN OVERRIDE STOP	236->CCN Emergency/Override Stop	CCN has signaled the chiller to stop. EMERGENCY STOP in the MAINSTAT screen has been set to EMSTOP. Reset and restart when ready. If the signal was sent by the ICVC, release the stop signal on the STATUS01 table.
237	PROTECTIVE LIMIT	SPARE SAFETY DEVICE	237->Spare Safety Device	Spare safety input has tripped or factory-installed jumper is not present between terminals 19 and 20 on the Low Voltage Field Wiring Terminal Strip.
238	PROTECTIVE LIMIT	COMPRESSOR MOTOR STALL	238->Compressor Stall: Check Compressor and Motor	Check condenser liquid flow and temperatures against chiller design conditions. See Table 5. Check STALL TIME PERIOD and STALL % AMPs settings. Check for excessive refrigerant charge and oil loss.
239	PROTECTIVE LIMIT	TRANSDUCER VOLTAGE FAULT	239->Transducer Voltage Ref [VALUE] exceeded limit of [LIMIT]*.	Check if CCM PRESSURE TRANSDUCER VOLTAGE REFERENCE is less than 4.5 V in CONTROLS TEST screen. Confirm PRESSURE TRANSDUCER VOLTAGE REFERENCE across a CCM Pressure Transducer (e.g., CCM J3-1 to J3-3). Confirm that none of the transducers have been shorted to ground. Look for changes in voltage if customer wiring to CCM J5-1 through J5-6 and J8-1 to J8-2 are temporarily removed. Check for 24 VAC across CCM terminals J1-1 and J1-2.
240	VFD GATEWAY	COMPATIBILITY CONFLICT	240->VFD Gateway Compatibility Conflict: Check VFG/ICVC Versions	ICVC and Gateway software compatibility numbers do not match. See ICVC SOFTWARE PART # in ICVC CONFIGURATION SCREEN. See VFD GATEWAY VERSION # in VFD_STAT screen.
241	PROTECTIVE LIMIT	RECTIFIER OVERCURRENT	241->Rectifier Overcurrent Fault: Check VFD Status	Check LOAD CURRENT and VFD FAULT CODE in VFD_HIST screen. See VFD FAULT CODES in Table 16.
242	LOSS OF COMMUNICATION	WITH CCM MODULE	242->Loss of Communication With CCM: Check Comm. Connectors	Check wiring and connectors between CCM terminal J6 and ICVC terminal J7. Check CCM status lights. Check for 24V control power to CCM J1-1 and J1-2. Confirm that all CCM SW1 switches are in the "off" position.
243	POTENTIAL FREEZE-UP	EVAP PRESS/TEMP TOO LOW	243->Evaporator Refrig Temp [VALUE] exceeded limit of [LIMIT]*.	Alarm declared at power up and after chiller is shutdown, see Table 5. Check EVAPORATOR PRESSURE transducer. Check EVAP REFRIG TRIP POINT. Check for proper refrigerant charge. Check float operation. Check for proper evaporator fluid flow and temperature.
244	POTENTIAL FREEZE-UP	COND PRESS/TEMP TOO LOW	244->Condenser Refrig Temp [VALUE] exceeded limit of [LIMIT]*.	Alarm declared when chiller in shutdown, see Table 5. Check CONDENSER PRESSURE transducer. Check CONDENSER FREEZE POINT setting.

\*[LIMIT] is shown on the ICVC as the temperature, pressure, voltage, etc., set point predefined or selected by the operator as an override, alert, or alarm condition. [VALUE] is the actual pressure, temperature, voltage, etc., at which the control tripped.

**Table 15 — ICVC Primary and Secondary Messages and Custom Alarm/Alert Messages with Troubleshooting Guides (cont)**

**I. CHILLER PROTECTIVE LIMIT FAULTS (cont)**

STATE	PRIMARY MESSAGE	SECONDARY MESSAGE	ALARM MESSAGE PRIMARY CAUSE	ADDITIONAL CAUSE/REMEDY
245	PROTECTIVE LIMIT	VFD SPEED OUT OF RANGE	245->Actual VFD Speed exceeded limit of Target VFD Speed $\pm 10\%$ .*	Check if ACTUAL VFD SPEED exceeds VFD SPEED OUTPUT $\pm 10\%$ in COMPRESS or CAPACITY screen. See Table 5. Check for VFD FAULT CODES in VFD_HIST screen.
246	PROTECTIVE LIMIT	INVERTER OVERCURRENT	246->Inverter Overcurrent Fault: Check VFD Status	Check LINE CURRENTs and VFD FAULT CODE in VFD_HIST screen. See VFD FAULT CODES in Table 16.
247	PROTECTIVE LIMIT	VFD START INHIBIT	247->VFD Start Inhibit: Check VFD Diagnostic Parameters 212/214	Check VFD FAULT CODE in VFD_HIST screen. See VFD FAULT CODES in Table 16.
248	PROTECTIVE LIMIT	SPARE TEMPERATURE #1	248->Spare Temperature #1 [VALUE] exceeded limit of [LIMIT]*.	Check component that SPARE TEMPERATURE #1 is monitoring. See Table 5. Check SPARE TEMPERATURE #1 settings in SETUP1 screen. Check SPARE TEMPERATURE #1 sensor resistance or voltage drop on CCM terminals J4-25 and J4-26. Check SPARE TEMPERATURE #1 sensor wiring.
249	PROTECTIVE LIMIT	SPARE TEMPERATURE #2	249->Spare Temperature #2 [VALUE] exceeded limit of [LIMIT]*.	Check component that SPARE TEMPERATURE #2 is monitoring. See Table 5. Check SPARE TEMPERATURE #2 settings in SETUP1 screen. Check SPARE TEMPERATURE #2 sensor resistance or voltage drop on CCM terminals J4-27 and J4-28. Check SPARE TEMPERATURE #2 sensor wiring.
250	PROTECTIVE LIMIT	REFRIGERANT LEAK SENSOR	250->Refrigerant Leak Sensor ppm [VALUE] exceeded Limit of [LIMIT]*	REFRIGERANT LEAK OPTION is enabled. The refrigerant leak detector output wired to CCM terminals J5-5 and J5-6 has reached the alarm threshold (PPM AT 20 MA). See Table 5. Check for leaks. Check leak detector. Check REFRIGERANT LEAK OPTION, REFRIG LEAK ALARM PPM and PPM AT 20 MA settings in OPTIONS screen.
251	PROTECTIVE LIMIT	VFD CONFIG CONFLICT	251->VFD Config Conflict; Verify & Save VFD Config Data to Reset	VFD Parameters stored in Gateway and ICVC are not consistent. Enter VFD_CONF screen and check settings stored in ICVC against Machine Electrical Data Nameplate. If parameter values are unacceptable, exit VFD_CONF by pressing cancel. Re-enter VFD_CONF screen and check settings uploaded from Gateway against Machine Electrical Data Nameplate. Press SAVE before exiting VFD_CONF.
253	PROTECTIVE LIMIT	VFD CHECKSUM ERROR	253->Checksum Error: Press Reset to Restore Configuration	VFD inverter or rectifier checksum must be regenerated. Check VFD FAULT CODE in VFD_HIST screen. See VFD FAULT CODES in Table 17. Press RESET softkey on ICVC to restore VFD configuration.
254	PROTECTIVE LIMIT	VFD DEW PREVENTION	254->VFD Dew Prevention - VFD Coolant too Cold, Check Solenoid and Cond T	Reducing VFD COOLANT FLOW to 0% did not adequately increase VFD COLDPLATE TEMP. Check HUMIDITY SENSOR INPUT on CCM J3-7, J3-9 and J4-10 and RELATIVE HUMIDITY in POWER or CONTROLS TEST screen. Check humidity sensor wiring on CCM. Check VFD refrigerant cooling solenoid operation. Increase Entering Condenser Liquid Temperature. Reduce humidity surrounding chiller. Check that VFD A34 NTC cold plate thermocouple is wired to VFD A12 AC LINE I/O card TB1-19 and TB1-20.
255	PROTECTIVE LIMIT	INDUCTOR OVERTEMP	255->Inductor Overtemp Trip - Check Temp Switch and Cooling Fans	Temperature switch in VFD inductor has opened. Middle Control Center door must be fully closed to properly route airflow around VFD inductors. Check wiring to inductor temperature switch. Check inductor cooling fan operation. Check for inductor cooling fan airflow obstructions. Check VFD FAULT CODE in VFD_HIST screen. See VFD FAULT CODES in Table 16.
256	VFD GATEWAY	COMPATIBILITY CONFLICT	256->VFD Gateway Compatibility Conflict: Check VFG/VFD Versions	VFD INVERTER VERSION # and/or VFD RECTIFIER VERSION # are not compatible with the GATEWAY VERSION #. Check software version numbers in VFD_STAT screen.

\*[LIMIT] is shown on the ICVC as the temperature, pressure, voltage, etc., set point predefined or selected by the operator as an override, alert, or alarm condition. [VALUE] is the actual pressure, temperature, voltage, etc., at which the control tripped.

**Table 15 — ICVC Primary and Secondary Messages and Custom Alarm/Alert Messages with Troubleshooting Guides (cont)**

<b>J. CHILLER ALERTS</b>				
<b>STATE</b>	<b>PRIMARY MESSAGE</b>	<b>SECONDARY MESSAGE</b>	<b>ALARM MESSAGE PRIMARY CAUSE</b>	<b>ADDITIONAL CAUSE/REMEDY</b>
140	SENSOR ALERT	LEAVING COND LIQUID TEMP	140->Sensor Fault: Check Leaving Cond Liquid Sensor	Temperature sensor reading out of range. Check LEAVING COND LIQUID TEMP sensor resistance or voltage drop at CCM. Check for grounded sensor leads. Check for proper wiring. See Table 5.
141	SENSOR ALERT	ENTERING COND LIQUID TEMP	141->Sensor Fault: Check Entering Cond Liquid Sensor	Temperature sensor reading out of range. Check ENTERING COND LIQUID TEMP sensor resistance or voltage drop at CCM. Check for grounded sensor leads. Check for proper wiring. See Table 5.
142	SENSOR ALERT	LOW OIL PRESSURE	142->Oil Pressure Delta P [VALUE] Exceeded Limit of [LIMIT]	Check for partially or closed oil line isolation valves. Check oil filter. Check oil level. Check Oil Pressure Leaving Filter and Oil Sump Pressure transducer wiring and OIL PRESSURE DELTA P accuracy. See Table 5.
143	AUTORESTART PENDING	LINE CURRENT IMBALANCE	143->Line Current Imbalance: Check VFD Fault History for Values	Chiller automatically restarting - AUTORESTART OPTION is enabled. Power loss has been detected in any phase. Check LINE CURRENTs and VFD FAULT CODE in VFD_HIST screen. See VFD FAULT CODES in Table 16. Check LINE CURRENT IMBALANCE settings in VFD_CONF screen. See Table 5. Check power distribution bus. Consult power company.
144	AUTORESTART PENDING	LINE VOLTAGE DROP OUT	144->Single Cycle Line Voltage Dropout	Chiller is automatically restarting - AUTORESTART OPTION is enabled. A drop in line voltage has been detected within 2 voltage cycles. Check LINE VOLTAGE and VFD FAULT CODE in VFD_HIST screen. See VFD FAULT CODES in Table 16. See Table 5. Check SINGLE CYCLE DROPOUT setting in VFD_CONF screen.
145	AUTORESTART PENDING	HIGH LINE VOLTAGE	145->High Percent Line voltage [VALUE]	Chiller is automatically restarting - AUTORESTART OPTION is enabled. Check LINE VOLTAGE and VFD FAULT CODE in VFD_HIST screen. See VFD FAULT CODES in Table 16. See Table 5. Check distribution bus. Consult power company.
146	AUTORESTART PENDING	LOW LINE VOLTAGE	146->Low Percent Line voltage [VALUE]	Chiller is automatically restarting - AUTORESTART OPTION is enabled. Check LINE VOLTAGE and VFD FAULT CODE in VFD_HIST screen. See VFD FAULT CODES in Table 16. See Table 5. Check distribution bus. Consult power company.
147	AUTORESTART PENDING	VFD MODULE RESET	147->VFD Module Power-On Reset When Running	Chiller is automatically restarting - AUTORESTART OPTION is enabled. VFD Module has detected a hardware fault and has reset. Check LINE VOLTAGE and VFD FAULT CODE in VFD_HIST screen. See VFD FAULT CODES in Table 16.
148	AUTORESTART PENDING	POWER LOSS	148->Control Power-Loss When Running	Chiller is automatically restarting - AUTORESTART OPTION is enabled. Check LINE VOLTAGE in VFD_HIST screen. Check 24 vac control power voltage on ICVC terminals J1-4 and J1-5. See Table 5. Check distribution bus. Consult power company.
149	AUTORESTART PENDING	LOW DC BUS VOLTAGE	149->Low DC Bus Voltage: [VALUE] Exceeded Limit of [LIMIT]*	Chiller is automatically restarting - AUTORESTART OPTION is enabled. Check DC BUS VOLTAGE and VFD FAULT CODE in VFD_HIST screen. See VFD FAULT CODES in Table 16. See Table 5.

\*[LIMIT] is shown on the ICVC as the temperature, pressure, voltage, etc., set point predefined or selected by the operator as an override, alert, or alarm condition. [VALUE] is the actual pressure, temperature, voltage, etc., at which the control tripped.

**Table 15 — ICVC Primary and Secondary Messages and Custom Alarm/Alert Messages with Troubleshooting Guides (cont)**

J. CHILLER ALERTS (cont)				
STATE	PRIMARY MESSAGE	SECONDARY MESSAGE	ALARM MESSAGE PRIMARY CAUSE	ADDITIONAL CAUSE/REMEDY
150	AUTORESTART PENDING	HIGH DC BUS VOLTAGE	150->High DC Bus Voltage: [VALUE] Exceeded Limit of [LIMIT]*	Chiller is automatically restarting - AUTORESTART OPTION is enabled. Check DC BUS VOLTAGE and VFD FAULT CODE in VFD_HIST screen. See VFD FAULT CODES in Table 16. See Table 5. Check input power for high voltage transients.
151	CONDENSER PRESSURE ALERT	PUMP RELAY ENERGIZED	151->High Condenser Pressure [VALUE]: Pump Energized to Reduce Pressure.	Check COND PRESS OVERRIDE in SETUP1 screen. Check CONDENSER PRESSURE sensor wiring and accuracy. Check condenser liquid flow, strainers, and condenser liquid temperature. Check for fouled tubes. This alarm is not caused by the High Pressure Switch.
152	RECYCLE ALERT	EXCESSIVE RECYCLE STARTS	152->Excessive recycle starts.	Chiller load is too low to keep compressor on line and there has been more than 5 starts in 4 hours. Check HGBP Isolation valve position. Increase chiller load. Adjust hot gas bypass parameters in OPTIONS screen. Increase (RECYCLE CONTROL) RESTART DELTA T in SETUP1 Screen.
153	no message: ALERT only	no message; ALERT only	153->Lead/Lag Disabled: Duplicate Chiller Address; Check Configuration	Illegal chiller address configuration in Lead/Lag screen, see Table 7. Check chiller addresses in LEAD/LAG and ICVC CONFIGURATION screens.
154	POTENTIAL FREEZE-UP	COND PRESS/TEMP TOO LOW	154->Condenser freeze up prevention	The chiller is not in pumpdown mode and the condenser pressure transducer is reading a pressure that could freeze the condenser tubes. Check CONDENSER FREEZE POINT setting. See Table 5. Check for condenser refrigerant leaks. Check condenser liquid temperature. Check CONDENSER PRESSURE sensor wiring and accuracy on CCM terminals J2-4, J2-5 and J2-6. Place the chiller in PUMPDOWN mode if the vessel is evacuated.
155	OPTION SENSOR FAULT	REMOTE RESET SENSOR	155->Sensor Fault/Option Disabled: Remote Reset Sensor	Type 2 Temperature Reset is enabled and Remote Reset sensor on CCM J4-13 and J4-14 is out of range. Check Temperature Reset settings in TEMP_CNTRL screen. Check REMOTE RESET sensor resistance or voltage drop. Check for proper REMOTE RESET sensor wiring.
156	OPTION SENSOR FAULT	AUTO CHILLED LIQUID RESET	156->Sensor Fault/Option Disabled: Auto Chilled Liquid Reset	Type 1 Temperature Reset is enabled and Auto Chilled Water Reset input on CCM J5-3 and J5-4 is < 2 mA. Check Temperature Reset settings in TEMP_CNTRL screen. Check that Auto Chilled Liquid Reset input is between 4 mA and 20 mA.
157	OPTION SENSOR FAULT	AUTO DEMAND LIMIT INPUT	157->Sensor Fault/Option Disabled: Auto Demand Limit Input	20 mA DEMAND LIMIT OPTION is enabled and Auto Demand Limit input on CCM J5-1 and J5-2 is < 2 mA. Check 20 mA DEMAND LIMIT setting in RAMP_DEM screen. Check that Auto Demand Limit input is between 4 mA and 20 mA.
158	SENSOR ALERT	SPARE TEMPERATURE #1	158->Spare Temperature #1 [VALUE] exceeded limit of [LIMIT].*	Check component that SPARE TEMPERATURE #1 is monitoring. Check SPARE TEMPERATURE #1 settings in SETUP1 screen. Check SPARE TEMPERATURE #1 sensor resistance or voltage drop on CCM J4-25 and J4-26. Check for proper SPARE TEMPERATURE #1 wiring.
159	SENSOR ALERT	SPARE TEMPERATURE #2	159->Spare Temperature #2 [VALUE] exceeded limit of [LIMIT].*	Check component that SPARE TEMPERATURE #2 is monitoring. Check SPARE TEMPERATURE #2 settings in SETUP1 screen. Check SPARE TEMPERATURE #2 sensor resistance or voltage drop on CCM J4-27 and J4-28. Check for proper SPARE TEMPERATURE #2 wiring.

\*[LIMIT] is shown on the ICVC as the temperature, pressure, voltage, etc., set point predefined or selected by the operator as an override, alert, or alarm condition. [VALUE] is the actual pressure, temperature, voltage, etc., at which the control tripped.

**Table 15 — ICVC Primary and Secondary Messages and Custom Alarm/Alert Messages with Troubleshooting Guides (cont)**

J. CHILLER ALERTS (cont)				
STATE	PRIMARY MESSAGE	SECONDARY MESSAGE	ALARM MESSAGE PRIMARY CAUSE	ADDITIONAL CAUSE/REMEDY
160	SENSOR ALERT	EVAPORATOR APPROACH	160->Evaporator Approach [VALUE] Exceeded Limit of [LIMIT]*	<p>Check position of refrigerant liquid line isolation valve.</p> <p>Check EVAP APPROACH ALERT setting in SETUP1 screen.</p> <p>Check Evaporator Liquid Flow.</p> <p>See Table 5.</p> <p>Check EVAP REFRIG LIQUID TEMP and CHILLED LIQUID TEMP sensor resistances or voltage drops.</p> <p>Check for proper EVAP REFRIG LIQUID TEMP and CHILLED LIQUID TEMP sensor wiring.</p> <p>Check for oil loss.</p> <p>Check for low refrigerant charge.</p> <p>Check float valve operation and for refrigerant stacking in the condenser.</p> <p>Check for evaporator division plate bypass.</p> <p>Check for fouled tubes.</p> <p>Check for air in water box.</p>
161	SENSOR ALERT	CONDENSER APPROACH	161->Condenser Approach [VALUE] Exceeded Limit of [LIMIT]*	<p>Check COND APPROACH ALERT setting in SETUP1 screen.</p> <p>Check Condenser Liquid flow.</p> <p>See Table 5.</p> <p>Check CONDENSER PRESSURE and LEAVING COND LIQUID temperature sensor resistances or voltage drops.</p> <p>Check for proper CONDENSER PRESSURE and LEAVING COND LIQUID temperature sensor wiring.</p> <p>Check condenser shell temperature against condenser pressure measured with refrigerant gage for evidence of non-condensables in refrigerant charge.</p> <p>Check for condenser division plate bypass.</p> <p>Check for fouled condenser tubes.</p> <p>Check for air in water box.</p>
162	SENSOR ALERT	HIGH DISCHARGE TEMP	162->Comp Discharge Temp [VALUE] Exceeded Limit of [LIMIT]*	<p>Check position of condenser isolation valve.</p> <p>Check COMP DISCHARGE ALERT setting in SETUP1 screen.</p> <p>See Table 5.</p> <p>Check COMP DISCHARGE TEMP sensor resistance or voltage drop.</p> <p>Check for proper condenser liquid flow and temperature.</p> <p>Check for proper wiring.</p> <p>Check for fouled tubes, plugged strainers, or non-condensables in the refrigerant.</p>
163	LOSS OF COMMUNICATION	WITH WSM	163->WSM Cool Source - Loss of Communication	<p>Communications interrupted between supervisory component and equipment component of WSM (Water System Manager).</p> <p>Check settings in WSMDEFME screen.</p> <p>Check CCN communications link with WSM.</p> <p>Check supervisory part of WSM.</p>
164	SYSTEM ALERT	HIGH OIL PRESSURE	164->High Oil Pressure [VALUE]. Check Oil Regulator and Valves	<p>See Table 5.</p> <p>Check oil pressure regulator isolation valve.</p> <p>Check oil pressure regulator.</p> <p>Check for bent oil lines.</p> <p>Check Oil Sump Pressure and Oil Pressure Leaving filter transducer resistances or voltage drops.</p> <p>Check OIL PRESSURE DELTA P wiring to CCM.</p> <p>Check for debris in Compressor Inlet Bearing Oil Orifice Strainers.</p> <p>Normal alert if chiller was charged and started within a few hours of pulling dehydration vacuum with oil heater on.</p>
168	SENSOR ALERT	HUMIDITY SENSOR INPUT	168->Sensor Fault: Check Humidity Sensor Input	<p>See Table 5.</p> <p>Humidity Sensor Input voltage is outside of 0.5 V to 4.5 V range.</p> <p>Check Humidity Sensor wiring to CCM terminals J3-7, J3-9, and J4-10.</p> <p>Check Humidity Sensor Input in Controls Test screen.</p> <p>Check resistance 4.3 kohm load resistor between CCM J3-7 and J3-8.</p>

\*[LIMIT] is shown on the ICVC as the temperature, pressure, voltage, etc., set point predefined or selected by the operator as an override, alert, or alarm condition. [VALUE] is the actual pressure, temperature, voltage, etc., at which the control tripped.

**Table 16 — Fault Description and Corrective Actions**

FAULT CODE	FAULT	TYPE	DESCRIPTION	ACTION	FAULT STATE
2	Auxiliary Input	1	Input is open.	Check remote wiring.	206
3	Power Loss	1, 3	DC bus voltage remained below 85% of nominal for longer than Power Loss Time (185). Enable/disable with Fault Config 1 (238).	Monitor the incoming AC line for low voltage or line power interruption.	149 215
4	UnderVoltage	1, 3	DC bus voltage fell below the minimum value of 407V DC at 400/480V input.	Monitor the incoming AC line for low voltage or power interruption.	149 215
5	OverVoltage	1	DC bus voltage exceeded maximum value.	Monitor the AC line for high line voltage or transient conditions. Extend the decel time or check RATED LINE VOLTAGE setting.	150 205
7	Motor Overload	1, 3	Internal electronic overload is set to trip when the motor current equals 135% of Motor NP FLA(42) for 1.5 seconds or when PERCENT LOAD CURRENT is sustained above 108%.	An excessive motor load exists. Reduce load so drive output current does not exceed the MOTOR NAMEPLATE AMPS setting.	217
8	Invtr Base Temp	1	Base temperature exceeded limit.	1. Check operation of VFD cooling solenoid, VFD isolation valves, and humidity sensor. 2. Check for proper temperature and flow rate of coolant.	219
9	Invtr IGBT Temp	1	Output transistors have exceeded their maximum operating temperature.	1. Check operation of VFD cooling solenoid, VFD isolation valves, and humidity sensor. 2. Check for proper temperature and flow rate of coolant.	219
12	HW OverCurrent	1	The drive output current has exceeded the hardware current limit.	Check programming. Check for excess load. Contact Carrier Service.	246
13	Ground Fault	1	A current path to earth ground in excess of 7% of drive rated amps has been detected at one or more of the drive output terminals.	Check the motor and external wiring to the drive output terminals for a grounded condition.	220
24	Decel Inhibit	3	The drive is not following a commanded deceleration because it is attempting to limit bus voltage.	1. Verify input voltage is within drive specified limits. 2. Verify system ground impedance follows proper grounding techniques.	204
25	OverSpeed Limit	1	Functions such as slip compensation or bus regulation have attempted to add an output frequency adjustment greater than that programmed in Overspeed Limit (83).	Remove excessive load conditions.	206
29	Analog In Loss	1, 3	An analog input is configured to fault on signal loss. A signal loss has occurred. Configure with Anlg In 1, 2 Loss (324, 327).	1. Check parameters. 2. Check for broken/loose connections at inputs.	206
33	Auto Rstrt Tries	3	Drive unsuccessfully attempted to reset a fault.	1. Correct the cause of the fault and manually clear. 2. Check parameters in VFD_CONF screen	206
35	Current Fbk Lost	4	The magnitude of motor current feedback was less than 5% Motor NP FLA (42) for the time configured in Imbalance Time (50). Detection of this fault is disabled when Imbalance Time (50) is set to the maximum value of 10.0 seconds.	1. Verify connection of current feedback device and motor terminals. 2. If fault repeats, replace current feedback devices and/or power supply. 3. Check VFD_CONF screen parameters.	206
36	SW OverCurrent	1	The drive output current has exceeded the software current.	1. Check for excess load.	246
37	Motor I Imbalance	4	Phase current displayed in Imbalance Display (221) > percentage set in Imbalance Limit (49) for time set in Imbalance Time (50).	1. Press ICVC RESET key to clear fault. 2. Check motor leads and terminals.	225
38	Phase U to Grnd	4	A phase-to-ground fault has been detected between the drive and motor in this phase.	1. Check the wiring between the drive and motor. 2. Check motor for grounded phase. 3. Contact Carrier Service.	220
39	Phase V to Grnd	4			
40	Phase W to Grnd	4			
41	Phase UV Short	4	Excessive current has been detected between these two output terminals.	1. Check the motor and drive output terminal wiring for a shorted condition. 2. Contact Carrier Service, replace drive.	220
42	Phase VW Short	4			
43	Phase UW Short	4			

Fault Type indicates if the fault is:

- 1 — Auto-resettable
- 2 — Non-resettable
- 3 — User-configurable
- 4 — Normal Fault resettable using Carrier ICVC "RESET" softkey

NOTE: VFD Troubleshooting should only be performed by a Reliance Certified LiquiFlo2 technician.

**Table 16 — Fault Description and Corrective Actions (cont)**

FAULT CODE	FAULT	TYPE	DESCRIPTION	ACTION	FAULT STATE
48	Params Defaulted	4	The drive was commanded to write default values to EEPROM.	1. Press ICVC RESET key or cycle power to the VFD. 2. Program the drive parameters as needed.	206
63	Shear Pin	3	Programmed Current Lmt Val (148) has been exceeded. Enabled/disable with Fault Config 1 (238).	Check MOTOR RATED LOAD AMPS setting in VFD_CONF screen.	206
64	Drive OverLoad	4	Drive rating of 102% for 1 minute or 150% for 5 seconds has been exceeded.	Check RATED LINE AMPS and MOTOR RATED LOAD AMPS in VFD_CONF screen.	246
70	HW Fault	4	Inverter section of power module detected an unexpected fault during power stage diagnostics.	Contact Carrier Service	206
71- 75	Port 1-5 Net Loss	4	The network card connected to DPI port stopped communicating. The fault code indicates the offending port number (71 = port 1, 72 = port 2, etc.)	1. Check communication board for proper connection to external network. 2. Check external wiring to module on port. Check ribbon cables, connectors, and pins. 3. Verify external network fault.	206
77	IR Volts Range	4	The drive autotuning default is calculated, and the value calculated for IR Drop Volts is not in the range of acceptable values.	Check Motor Nameplate parameters in VFD_CONF screen.	206
78	FluxAmpsRef Rang	4	The value for flux amps determined by the autotune procedure exceeds the programmed Motor NP FLA (42).	Check MOTOR NAMEPLATE AMPS in VFD_CONF screen.	206
79	Excessive Load	4	Motor did not come up to speed in the allotted time.	1. Check parameters in VFD_CONF screen. 2. Contact Carrier Service.	203
80	AutoTune Aborted	4	The autotune procedure was canceled by the user.	Press ICVC RESET key to restart procedure.	206
81- 85	Port 1-5 DPI Loss	4	DPI port stopped communicating. An attached peripheral with control capabilities via Local Mask (288) (or OIM control) was removed. The fault code indicates the offending port number (81 = port 1, etc.)	1. If module was not intentionally disconnected, check ribbon cables, connectors, and pins. Replace wiring port expander, modules, Main Control Board or complete drive as required. 2. Check OIM connection if used.	206
87	Ixo Voltage Range	4	Ixo voltage calculated from motor nameplate data is too high	1. Press ICVC RESET key. 2. Contact Carrier Service.	206
100	Parameter Chksum	2	The checksum read from the board does not match the checksum calculated.	1. Press ICVC RESET key to restore defaults. 2. Cycle power to the VFD.	206
101	UserSet1 Chksum	2	The checksum read from the user set does not match the checksum calculated.	1. Press ICVC RESET key to restore defaults. 2. Cycle power to the VFD.	206
102	UserSet2 Chksum	2			
103	UserSet3 Chksum	2			
104	Pwr Brd Chksum1	4	The checksum read from the EEPROM does not match the checksum calculated from the EEPROM data.	1. Press ICVC RESET key to restore defaults. 2. Cycle power to the VFD.	206
105	Pwr Brd Chksum2	2	The checksum read from the board does not match the checksum calculated.	1. Cycle power to the VFD. 2. If problem persists, contact Carrier Service.	206
106	Incompat MCB-PB	2	Drive rating information stored on the power board is incompatible with the Main Control board.	Load compatible version files into drive.	206
107	Replaced MCB-PB	2	Main Control board was replaced and parameters were not programmed.	Program parameters into VFD_CONF screen.	206
120	I/O Board Mismatch	4	Incorrect I/O board identified.	Program parameters into VFD_CONF screen.	206
121	I/O Board Comm Loss	2	Loss of communication to I/O board.	1. Press ICVC RESET key. 2. Check VFD board ribbon cables and connector pins.	206
122	I/O Board Fail	4	Board failure.	1. Press ICVC RESET key, cycle power to the VFD. 2. If fault repeats, replace I/O board.	206
200 201 202	Inverter Dsat U, V, W	4	High current was detected in an IGBT.	1. Check for loose connection in IGBT wire harness. 2. Check IGBTs. 3. Check precharge resistors and fuses. 4. Check precharge contactor.	201

Fault Type indicates if the fault is:

- 1 — Auto-resettable
- 2 — Non-resettable
- 3 — User-configurable
- 4 — Normal Fault resettable using Carrier ICVC "RESET" softkey

NOTE: VFD Troubleshooting should only be performed by a Reliance Certified LiquiFlo2 technician.

**Table 16 — Fault Description and Corrective Actions (cont)**

FAULT CODE	FAULT	TYPE	DESCRIPTION	ACTION	FAULT STATE
203 204 205	Inverter OverCurrent U, V, W	4	High current was detected in an IGBT.	Check parameters in VFD_CONF screen.	246
207	Invtr Gate Kill	4	Inverter gate kill contact is open.	1. Check that condenser high pressure switch is wired to the VFD gate kill contact. 2. Check that high pressure switch is closed.	207 235
208 209 210	Rectifier Dsat R, S, T	4	High current was detected in an IGBT.	1. Press RESET key on ICVC. 2. Contact Carrier Service.	200
211 212 213	Rectifier Over Cur R, S, T	4	Rectifier overcurrent	Check parameters in VFD_CONF screen.	241
214	Reactor Temp	4	Temperature switch in reactor opened.	Check for proper temperature and fan operation.	255
215	Rctfr HW Unused	4	Rectifier portion of power structure hardware reported unexpected fault	1. Verify connection between rectifier control board and rectifier power board. 2. If fault persists, replace rectifier power board. 3. If fault still persists, replace rectifier inverter control board.	206
216	Rectifier Ground Fault	4	Excessive ground current measured.	Check for grounded input wiring.	220
217	Rectifier Base Temp	4	Excessive rectifier temperature measured.	1. Check VFD cooling solenoid, VFD refrigerant strainer, and VFD isolation valves. 2. Check for proper temperature and flow rate of coolant.	218
218	Rectifier IGBT Temp	4	Excessive calculated IGBT temperature.	1. Check VFD cooling solenoid, VFD refrigerant strainer, and VFD isolation valves. 2. Check for proper temperature and flow rate of coolant.	218
219	Rectifier IT Overload	4	Short-term current rating of rectifier exceeded.	Low input voltage can result in increased current load. Provide proper input voltage to the drive.	146 212
220	Rectifier I <sup>2</sup> T Overload	4	Long-term current rating of rectifier exceeded.	Low input voltage can result in increased current load. Provide proper input voltage to the drive.	146 212
221	Ride Thru Abort	4	Input power loss timed out.	1. Verify input power and connections. 2. Check Line Sync board, connectors and pins. 3. Check AC Line I/O board, connectors, and pins.	146 147 212 213
222	High AC Line	4	Input line voltage is too high.	Reduce input voltage to meet RATED LINE VOLTAGE ±10%.	145 211
223	Low DC Bus	4	The bus voltage is too low.	1. Verify proper input voltage. 2. Check control center and input power fuses.	149 215
224	Rctfr Over Volt	4	The bus voltage is too high.	Monitor the AC line for high line voltage or transient conditions. Extend the decel time.	150 205
225	Input Amp Imbalance	4	Input phase current imbalance exceeded limits.	1. Check for loose connection in input power wiring. 2. Check precharge contactors.	143 209
226	Input Volt Imbalance	4	Input voltage imbalance exceeded limits.	1. Check for problem in input power distribution. 2. Check input wiring connections.	216
227	AC Line Lost	4	Input power Lost	1. Verify proper input voltage. 2. Check line sync board and fuse. 3. Check AC line I/O board. 4. Verify connections between boards.	144 210
228	Line Frequency	4	Line frequency not in the range of 47-63 Hz.	Verify connection between AC Line Sync and AC Line I/O boards. Confirm that connectors are fully engaged.	222
229	Rectifier Checksum	4	The checksum read from the board does not match the checksum calculated.	1. Check all power module connectors and cycle power to the VFD. 2. Press ICVC RESET key to restore defaults. 3. Check parameters in VFD_CONF screen.	253
230	Invtr HW Unk	4	Inverter section of power structure hardware reported unexpected fault.	1. Verify connection between inverter control board and inverter power board. 2. If fault persists, replace inverter power board. 3. If fault still persists, replace inverter control board.	206

Fault Type indicates if the fault is:

- 1 — Auto-resettable
- 2 — Non-resettable
- 3 — User-configurable
- 4 — Normal Fault resettable using Carrier ICVC “RESET” softkey

NOTE: VFD Troubleshooting should only be performed by a Reliance Certified LiquiFlo2 technician.



**Table 16 — Fault Description and Corrective Actions (cont)**

FAULT CODE	FAULT	TYPE	DESCRIPTION	ACTION	FAULT STATE
231	Rctfr HW Unk	4	Rectifier portion of power structure hardware reported unexpected fault.	1. Verify connection between rectifier control board and rectifier power board. 2. If fault persists, replace rectifier power board 3. If fault still persists, replace rectifier control board.	206
232	Rctfr Not OK	4	A fault was detected in the rectifier other than one specifically decoded.	Look at rectifier parameter 243 to see fault code. Contact Carrier.	200
233	Precharge closed	4	Precharge was closed when it should be open.	1. Check AUX contacts on precharge. Check if precharge contactor is energized. 2. Check input bit 0 in rectifier parameter 216 to view status of input. 3. Check wiring. 4. Check precharge resistors and fuses.	206
234	Precharge open	4	Precharge was open when it should be closed.	1. Check AUX contacts on precharge. Check if precharge contactor is de-energized. 2. Check input bit 0 in rectifier parameter 216 to view status of input. 3. Check wiring. 4. Check precharge resistors and fuses.	206
235	Rctfr Pwr Board	4	Drive rating information stored on the power board is incompatible with the Main Control board. The checksum read from the board does not match the checksum calculated.	Load compatible version files into drive. 1. Cycle power to the VFD. 2. If problem persists, contact Carrier Service.	206
236	Rctfr I/O Board	4	Loss of communication to I/O board. Board failure.	1. Cycle power to the VFD. 2. Check I/O board ribbon cables, connectors, and pins. 3. If fault repeats, replace I/O board.	206
237	Not at Voltage	4	The rectifier did not regulate to the desired bus voltage within the defined time.	1. Check all fuses and cabinet wiring. 2. Replace line synch board. 3. Replace AC Line I/O board. 4. Replace rectifier control board and/or rectifier power board.	149 215
238	Rctfr Not Logged In	4	Rectifier took too long to connect to inverter.	1. Check the cabling, connectors, and pins between the communications interface and the two control boards. 2. Verify the DPI Data Rate (270) is set to 500K. 3. Connect one DPI device at a time to determine if one of the DPI devices is causing the problem. 4. Replace the communications interface. 5. Replace the rectifier control board. 6. Swap 80W power supplies to determine if the fault follows the power supply. Replace the power supply if needed.	206
239	Power Phased ACB	4	Input Power is phased ACB rather than ABC.	Switch two of the input power phases.	226

Fault Type indicates if the fault is:

- 1 — Auto-resettable
- 2 — Non-resettable
- 3 — User-configurable
- 4 — Normal Fault resettable using Carrier ICVC “RESET” softkey

NOTE: VFD Troubleshooting should only be performed by a Reliance Certified LiquiFlo2 technician.

**Control Modules** — Turn controller power off before servicing controls. This ensures safety and prevents damage to the controller.

The ICVC and CCM modules perform continuous diagnostic evaluations of the hardware to determine its condition. Proper operation of all modules is indicated by LEDs (light-emitting diodes) located on the circuit board of the ICVC and CCM.

There is one green LED located on the CCM board, and one red LED located on the ICVC and CCM boards.

**RED LED (Labeled as STAT)** — If the red LED:

- Blinks continuously at a 2-second interval — the module is operating properly
- Is lit continuously — there is a problem that requires replacing the module
- Is off continuously — the power should be checked
- Blinks 3 times per second — a software error has been discovered and the module must be replaced

If there is no input power, check the CB2 control power circuit breaker and control power transformer circuit breakers (CB1A and CB1B). If the breakers are good, check for a shorted 24 vac secondary of the T1 transformer or, if power is present to the module, replace the module.

**GREEN LED (Labeled as COM)** — These LEDs indicate the communication status between different parts of the controller and the network modules and should blink continuously.

**Notes on Module Operation**

1. The chiller operator monitors and modifies configurations in the microprocessor by using the 4 softkeys and the ICVC. Communications between the ICVC and the CCM is accomplished through the SIO (Sensor Input/Output) bus, which is a phone cable. The communication between the CCM and VFD is accomplished through a 3-wire SIO communication protocol cable.

2. If a green LED is on continuously, check the communication wiring. If a green LED is off, check the red LED operation. If the red LED is normal, check the SIO address switches (Fig. 49 and 50). Confirm all SW1 SIO address dip switches on the CCM are in the OFF position.

All system operating intelligence resides in the ICVC. Some safety shutdown logic resides in the VFD Gateway in case communications are lost between the VFD and ICVC. Outputs are controlled by the CCM and VFD Gateway as well.

3. In the control center, a 3 KVA transformer steps down line power to 115 V. This supplies power to the oil pump, oil vaporizer heater, oil sump heater, and control power transformers. Power is supplied to the ICVC and CCM modules within the control center via the T1 24-VAC transformer.

The control power transformers are located on the power panel.

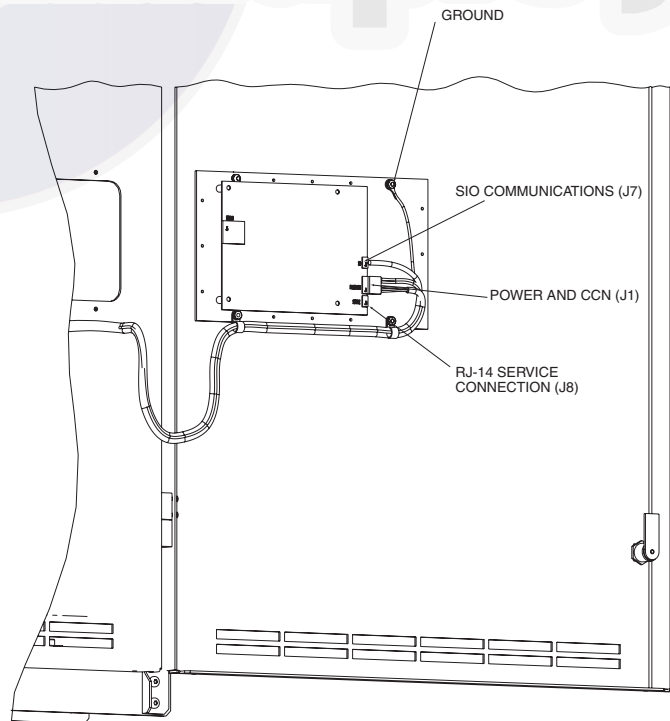
Transformer T1 supplies 24 V power to the ICVC and CCM. Transformer T2 provides 20 V power to optional DataPort™ or DataLINK™ modules.

Power is connected to Plug J1 on the ICVC and CCM modules.

**Chiller Control Module (CCM) (Fig. 50)**

**INPUTS** — Each input channel has 2 or 3 terminals. Refer to individual chiller wiring diagrams for the correct terminal numbers for your application.

**OUTPUTS** — CCM terminals J11 and J12 are discrete (on/off) outputs that switch 24 volts. The 4 to 20 mA output channel on terminals J8-1 and J8-2 is designed for non-grounded controllers with a maximum input impedance of 500 ohms. J8-3 and J8-4 are used with a 500-ohm resistor to control the oil reclaim actuator.



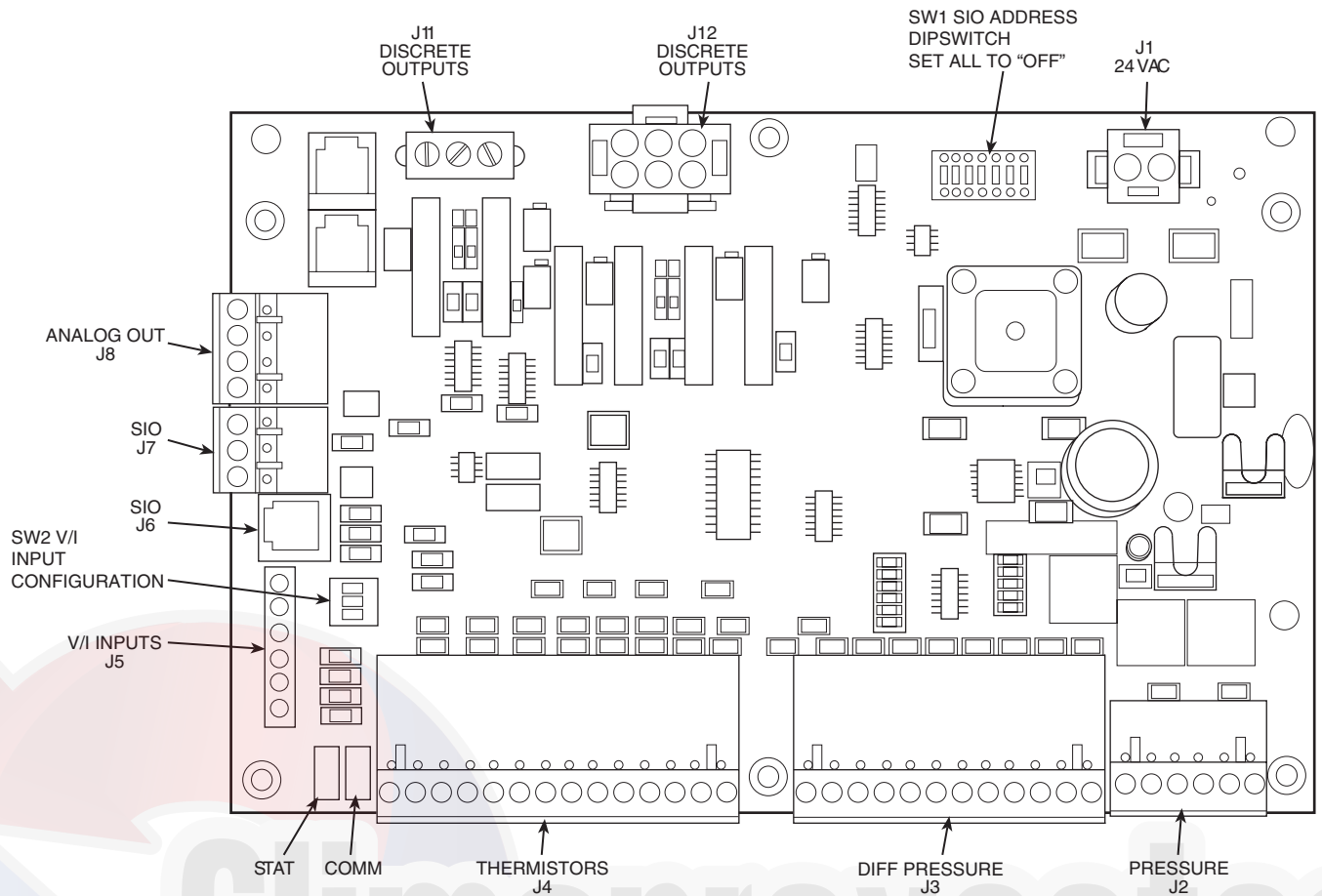
**Fig. 49 — Rear of ICVC (International Chiller Visual Controller)**

Table 17A — Thermistor Temperature (F) vs Resistance/Voltage Drop

TEMPERATURE (F)	PIC III VOLTAGE DROP (V)	RESISTANCE (Ohms)	TEMPERATURE (F)	PIC III VOLTAGE DROP (V)	RESISTANCE (Ohms)	TEMPERATURE (F)	PIC III VOLTAGE DROP (V)	RESISTANCE (Ohms)
-25	4.700	97,706	66	2.565	6,568	157	0.630	893
-24	4.690	94,549	67	2.533	6,405	158	0.619	876
-23	4.680	91,474	68	2.503	6,246	159	0.609	859
-22	4.670	88,480	69	2.472	6,092	160	0.599	843
-21	4.659	85,568	70	2.440	5,942	161	0.589	827
-20	4.648	82,737	71	2.409	5,796	162	0.579	812
-19	4.637	79,988	72	2.378	5,655	163	0.570	797
-18	4.625	77,320	73	2.347	5,517	164	0.561	782
-17	4.613	74,734	74	2.317	5,382	165	0.551	768
-16	4.601	72,229	75	2.287	5,252	166	0.542	753
-15	4.588	69,806	76	2.256	5,124	167	0.533	740
-14	4.576	67,465	77	2.227	5,000	168	0.524	726
-13	4.562	65,205	78	2.197	4,880	169	0.516	713
-12	4.549	63,027	79	2.167	4,764	170	0.508	700
-11	4.535	60,930	80	2.137	4,650	171	0.499	687
-10	4.521	58,915	81	2.108	4,539	172	0.491	675
-9	4.507	56,981	82	2.079	4,432	173	0.484	663
-8	4.492	55,129	83	2.050	4,327	174	0.476	651
-7	4.477	53,358	84	2.021	4,225	175	0.468	639
-6	4.461	51,669	85	1.993	4,125	176	0.460	628
-5	4.446	50,062	86	1.965	4,028	177	0.453	616
-4	4.429	48,536	87	1.937	3,934	178	0.445	605
-3	4.413	47,007	88	1.909	3,843	179	0.438	595
-2	4.396	45,528	89	1.881	3,753	180	0.431	584
-1	4.379	44,098	90	1.854	3,667	181	0.424	574
0	4.361	42,715	91	1.827	3,582	182	0.418	564
1	4.344	41,380	92	1.800	3,500	183	0.411	554
2	4.325	40,089	93	1.773	3,420	184	0.404	544
3	4.307	38,843	94	1.747	3,342	185	0.398	535
4	4.288	37,639	95	1.721	3,266	186	0.392	526
5	4.269	36,476	96	1.695	3,192	187	0.385	516
6	4.249	35,354	97	1.670	3,120	188	0.379	508
7	4.229	34,270	98	1.644	3,049	189	0.373	499
8	4.209	33,224	99	1.619	2,981	190	0.367	490
9	4.188	32,214	100	1.595	2,914	191	0.361	482
10	4.167	31,239	101	1.570	2,849	192	0.356	474
11	4.145	30,298	102	1.546	2,786	193	0.350	466
12	4.123	29,389	103	1.523	2,724	194	0.344	458
13	4.101	28,511	104	1.499	2,663	195	0.339	450
14	4.079	27,663	105	1.476	2,605	196	0.333	442
15	4.056	26,844	106	1.453	2,547	197	0.328	435
16	4.033	26,052	107	1.430	2,492	198	0.323	428
17	4.009	25,285	108	1.408	2,437	199	0.318	421
18	3.985	24,544	109	1.386	2,384	200	0.313	414
19	3.960	23,826	110	1.364	2,332	201	0.308	407
20	3.936	23,130	111	1.343	2,282	202	0.304	400
21	3.911	22,455	112	1.321	2,232	203	0.299	393
22	3.886	21,800	113	1.300	2,184	204	0.294	387
23	3.861	21,163	114	1.279	2,137	205	0.290	381
24	3.835	20,556	115	1.259	2,092	206	0.285	374
25	3.808	19,967	116	1.239	2,047	207	0.281	368
26	3.782	19,396	117	1.219	2,003	208	0.277	362
27	3.755	18,843	118	1.200	1,961	209	0.272	356
28	3.727	18,307	119	1.180	1,920	210	0.268	351
29	3.700	17,787	120	1.161	1,879	211	0.264	345
30	3.672	17,284	121	1.143	1,840	212	0.260	339
31	3.644	16,797	122	1.124	1,801	213	0.256	334
32	3.617	16,325	123	1.106	1,764	214	0.252	329
33	3.588	15,868	124	1.088	1,727	215	0.248	323
34	3.559	15,426	125	1.070	1,691	216	0.245	318
35	3.530	14,997	126	1.053	1,656	217	0.241	313
36	3.501	14,582	127	1.036	1,622	218	0.237	308
37	3.471	14,181	128	1.019	1,589	219	0.234	303
38	3.442	13,791	129	1.002	1,556	220	0.230	299
39	3.412	13,415	130	0.986	1,524	221	0.227	294
40	3.382	13,050	131	0.969	1,493	222	0.224	289
41	3.353	12,696	132	0.953	1,463	223	0.220	285
42	3.322	12,353	133	0.938	1,433	224	0.217	280
43	3.291	12,021	134	0.922	1,404	225	0.214	276
44	3.260	11,699	135	0.907	1,376	226	0.211	272
45	3.229	11,386	136	0.893	1,348	227	0.208	267
46	3.198	11,082	137	0.878	1,321	228	0.205	263
47	3.167	10,787	138	0.864	1,295	229	0.203	259
48	3.135	10,500	139	0.849	1,269	230	0.198	255
49	3.104	10,221	140	0.835	1,244	231	0.195	251
50	3.074	9,949	141	0.821	1,219	232	0.192	248
51	3.042	9,689	142	0.808	1,195	233	0.190	244
52	3.010	9,436	143	0.795	1,172	234	0.187	240
53	2.978	9,190	144	0.782	1,149	235	0.184	236
54	2.946	8,951	145	0.769	1,126	236	0.182	233
55	2.914	8,719	146	0.756	1,104	237	0.179	229
56	2.882	8,494	147	0.744	1,083	238	0.176	226
57	2.850	8,275	148	0.731	1,062	239	0.174	223
58	2.819	8,062	149	0.719	1,041	240	0.172	219
59	2.788	7,855	150	0.707	1,021	241	0.169	216
60	2.756	7,655	151	0.696	1,002	242	0.167	213
61	2.724	7,460	152	0.684	983	243	0.164	210
62	2.692	7,271	153	0.673	964	244	0.162	207
63	2.660	7,088	154	0.662	945	245	0.160	204
64	2.628	6,909	155	0.651	928	246	0.158	201
65	2.596	6,736	156	0.640	910	247	0.155	198
						248	0.153	195

**Table 17B — Thermistor Temperature (C) vs Resistance/Voltage Drop**

TEMPERATURE (C)	PIC III VOLTAGE DROP (V)	RESISTANCE (Ohms)	TEMPERATURE (C)	PIC III VOLTAGE DROP (V)	RESISTANCE (Ohms)
-33	4.722	105 616	44	1.338	2 272
-32	4.706	99 640	45	1.300	2 184
-31	4.688	93 928	46	1.263	2 101
-30	4.670	88 480	47	1.227	2 021
-29	4.650	83 297	48	1.192	1 944
-28	4.630	78 377	49	1.158	1 871
-27	4.608	73 722	50	1.124	1 801
-26	4.586	69 332	51	1.091	1 734
-25	4.562	65 205	52	1.060	1 670
-24	4.538	61 343	53	1.029	1 609
-23	4.512	57 745	54	0.999	1 550
-22	4.486	54 411	55	0.969	1 493
-21	4.458	51 341	56	0.941	1 439
-20	4.429	48 536	57	0.913	1 387
-19	4.399	45 819	58	0.887	1 337
-18	4.368	43 263	59	0.861	1 290
-17	4.336	40 858	60	0.835	1 244
-16	4.303	38 598	61	0.811	1 200
-15	4.269	36 476	62	0.787	1 158
-14	4.233	34 484	63	0.764	1 117
-13	4.196	32 613	64	0.741	1 079
-12	4.158	30 858	65	0.719	1 041
-11	4.119	29 211	66	0.698	1 006
-10	4.079	27 663	67	0.677	971
-9	4.037	26 208	68	0.657	938
-8	3.994	24 838	69	0.638	906
-7	3.951	23 545	70	0.619	876
-6	3.906	22 323	71	0.601	846
-5	3.861	21 163	72	0.583	818
-4	3.814	20 083	73	0.566	791
-3	3.765	19 062	74	0.549	765
-2	3.716	18 097	75	0.533	740
-1	3.667	17 185	76	0.518	715
0	3.617	16 325	77	0.503	692
1	3.565	15 513	78	0.488	670
2	3.512	14 747	79	0.474	648
3	3.459	14 023	80	0.460	628
4	3.406	13 341	81	0.447	608
5	3.353	12 696	82	0.434	588
6	3.298	12 087	83	0.422	570
7	3.242	11 510	84	0.410	552
8	3.185	10 963	85	0.398	535
9	3.129	10 444	86	0.387	518
10	3.074	9 949	87	0.376	502
11	3.016	9 486	88	0.365	487
12	2.959	9 046	89	0.355	472
13	2.901	8 628	90	0.344	458
14	2.844	8 232	91	0.335	444
15	2.788	7 855	92	0.325	431
16	2.730	7 499	93	0.316	418
17	2.672	7 160	94	0.308	405
18	2.615	6 839	95	0.299	393
19	2.559	6 535	96	0.291	382
20	2.503	6 246	97	0.283	371
21	2.447	5 972	98	0.275	360
22	2.391	5 711	99	0.267	349
23	2.335	5 463	100	0.260	339
24	2.280	5 226	101	0.253	330
25	2.227	5 000	102	0.246	320
26	2.173	4 787	103	0.239	311
27	2.120	4 583	104	0.233	302
28	2.067	4 389	105	0.227	294
29	2.015	4 204	106	0.221	286
30	1.965	4 028	107	0.215	278
31	1.914	3 861	108	0.210	270
32	1.865	3 701	109	0.205	262
33	1.816	3 549	110	0.198	255
34	1.768	3 404	111	0.193	248
35	1.721	3 266	112	0.188	242
36	1.675	3 134	113	0.183	235
37	1.629	3 008	114	0.178	229
38	1.585	2 888	115	0.174	223
39	1.542	2 773	116	0.170	217
40	1.499	2 663	117	0.165	211
41	1.457	2 559	118	0.161	205
42	1.417	2 459	119	0.157	200
43	1.377	2 363	120	0.153	195



**Fig. 50 — Chiller Control Module (CCM)**

**Replacing Defective ICVC Modules** — The module replacement part number is printed on a small label on the rear of the ICVC module. The chiller model and serial numbers are printed on the chiller nameplate located on the right side of the control center. The proper software is factory-installed by Carrier in the replacement module. When ordering a replacement international chiller visual controller (ICVC) module, specify the complete replacement part number, full chiller model number, and chiller serial number. The installer must configure the new module to the original chiller data. Follow the procedures described in the Software Configuration section on page 59.

**▲ CAUTION**

Electrical shock can cause personal injury. Disconnect all electrical power before servicing.

**INSTALLATION**

1. Verify the existing ICVC module is defective by using the procedure described in the Troubleshooting Guide section, page 78, and the Control Modules section, on this page. Do not select the ATTACH TO NETWORK DEVICE table if the ICVC indicates a CCN communication failure. Doing so will probably lock up the ICVC because it will not be able to communicate with the CCN.
2. Any communication wires from other chillers or CCN modules should be disconnected prior to installation of a new module to prevent the new ICVC from uploading incorrect run hours into memory. Data regarding the ICVC configuration should have been recorded and saved. This data must be reconfigured into the new ICVC. If this data is not available, follow the procedures

described in the Software Configuration section. If the module to be replaced is functional, configurations may also be copied manually. The data sheets on pages CL-4 through CL-12 are provided for this purpose. Default values are shown so that only deviations from these need to be recorded.

If a CCN Building Supervisor or Service Tool is available, the module configuration should have already been uploaded into memory. When the new module is installed, the configuration can be downloaded from the computer.

3. To install this module, record values for the *TOTAL COMPRESSOR STARTS*, *SERVICE ONTIME*, and the *COMPRESSOR ONTIME* from the MAINSTAT screen on the ICVC.
4. Power off the controls.
5. Remove the old ICVC.
6. Install the new ICVC module. Turn the control power back on.
7. The ICVC now automatically attaches to the local network device.
8. Set the current time and date in the SERVICE / TIME AND DATE screen. Set the CCN Bus and Address in the SERVICE / ICVC CONFIGURATION screen. Press the alarm RESET soft key (from the default screen). Upload via Service Tool or manually reenter all non-default configuration values. (Refer to pages CL-4 through CL-12). If the correct *VFD\_CONF* values are displayed when that table is viewed, simply press EXIT then SAVE to reload all of them. Using Service Tool or manually reenter *TOTAL COMPRESSOR STARTS*, *COMPRESSOR*

ONTIME, and SERVICE ONTIME. If forced using Service Tool, release the force on SERVICE ONTIME after the desired value has been set. TOTAL COMPRESSOR STARTS and TOTAL COMPRESSOR ONTIME can only be changed prior to the first completed start. If a start is completed and the COMPRESSOR STARTS or COMPRESSOR ON TIME are both incorrect, the ICVC software must be downloaded again before these settings can be changed.

- Check and recalibrate pressure transducer readings (refer to page 79). Check that the CURRENT TIME and DATE in the TIME AND DATE screen are correct.

**DPI Communications Interface Board Status LEDs** — VFD status can be determined from the status LEDs on the DPI Communications Interface Board shown in Fig. 51. The DPI Board is mounted on the front of the VFD power module in a vertical orientation.

**Gateway Status LEDs** — The RS485 VFD Gateway provides a communication link between the CCM and ICVC SIO bus to the VFD Drive Peripheral Interface (DPI) board. The SIO bus communicates with the Gateway through VFD connector A32. See Fig. 52.

The Gateway has four status indicators on the top side of the module.

**DRIVE STATUS INDICATOR** — The DRIVE status indicator is on the right side of the Gateway. See Table 18.

**Table 18 — Gateway DRIVE Status Indicator**

STATE	CAUSE	CORRECTIVE ACTION
<b>Off</b>	The Gateway is not powered or is not connected properly to the drive.	<ul style="list-style-type: none"> <li>Securely connect the Gateway to the drive using the DPI ribbon cable.</li> <li>Apply power to the drive.</li> </ul>
<b>Flashing Red</b>	The Gateway is not receiving a ping message from the drive.	<ul style="list-style-type: none"> <li>Verify that cables are securely connected.</li> <li>Cycle power to the drive.</li> </ul>
<b>Solid Red</b>	The drive has refused an I/O connection from the Gateway.	<p><b>IMPORTANT:</b> Cycle power after making the following correction:</p> <ul style="list-style-type: none"> <li>Verify that all DPI cables on the drive are securely connected and not damaged. Replace cables if necessary.</li> </ul>
<b>Orange</b>	The Gateway is connected to a product that does not support Rockwell Automation DPI communications.	<ul style="list-style-type: none"> <li>Check wires leading to the A32 terminal block.</li> <li>Check that A32 terminal block is fully engaged.</li> </ul>
<b>Flashing Green</b>	The Gateway is establishing an I/O connection to the drive or the I/O has been disabled.	Normal behavior.
<b>Solid Green</b>	The Gateway is properly connected and is communicating with the drive.	No action required.

**MS STATUS INDICATOR** — The MS status indicator is the second LED from the right of the Gateway. See Table 19.

**Table 19 — Gateway MS Status Indicator**

STATE	CAUSE	CORRECTIVE ACTION
<b>Off</b>	The Gateway is not powered.	<ul style="list-style-type: none"> <li>Securely connect the Gateway to the drive using the ribbon cable.</li> <li>Apply power to the drive.</li> </ul>
<b>Flashing Red</b>	Recoverable Fault Condition	Cycle power to the drive. If cycling power does not correct the problem, the firmware may need to be flashed into the module.
<b>Solid Red</b>	The module has failed the hardware test.	<ul style="list-style-type: none"> <li>Cycle power to the drive</li> <li>Replace the Gateway</li> </ul>
<b>Flashing Green</b>	The Gateway is operational. No I/O data is being transferred.	Normal behavior during SIO configuration initialization process.
<b>Solid Green</b>	The Gateway is operational and transferring I/O data.	No action required.

**NET A STATUS INDICATOR** — The NET A status indicator is the third LED from the right of the Gateway. See Table 20.

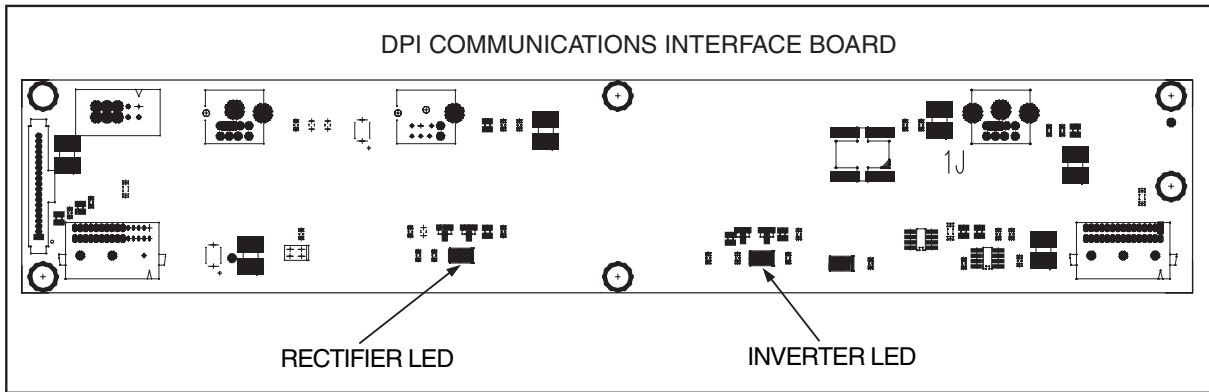
**Table 20 — Gateway NET A Status Indicator**

STATE	CAUSE	CORRECTIVE ACTION
<b>Off</b>	The module is not powered or is not properly connected to the network. First incoming network command not yet recognized.	<ul style="list-style-type: none"> <li>Securely connect the Gateway ribbon cable to the drive DPI board.</li> <li>Attach the RS485 cable in Gateway to the connector.</li> <li>Apply power to the drive.</li> </ul>
<b>Flashing Red</b>	Network has timed out.	Cycle power to the drive.
<b>Solid Red</b>	The Gateway has detected an error that has made it incapable of communication on the network.	Check node address and data rate switch positions on the front of the Gateway. Cycle power to the drive.
<b>Flashing Green</b>	Online to network, but not producing or consuming I/O information.	No action required. The LED will turn solid green when communication resumes.
<b>Solid Green</b>	The module is properly connected and communicating on the network.	No action required.

**NET B STATUS INDICATOR** — The NET B status indicator is the left LED on the Gateway. See Table 21.

**Table 21 — Gateway NET B Status Indicator**

STATE	CAUSE	CORRECTIVE ACTION
<b>Off</b>	Gateway not receiving data over the network.	<ul style="list-style-type: none"> <li>Check wires leading to A32 terminal block.</li> <li>Check that A32 terminal block is fully engaged.</li> </ul>
<b>Solid or Blinking Green</b>	Gateway is transmitting data.	No action required.



**INVERTER STATUS LIGHT**

COLOR	STATE	DESCRIPTION
Green	Flashing	Drive ready, but not running and no faults are present.
	Steady	Drive running, no faults are present.
Yellow	Flashing	The drive is not ready. A VFD start inhibit is in effect. Normal condition when chiller not running because the ICVC has issued a stop command.
	Steady	An alarm condition exists. Check VFD FAULT CODE in ICVC VFD_STAT screen.
Red	Flashing	A fault has occurred. Check VFD FAULT CODE in ICVC VFD_STAT screen.
	Steady	A non-resettable fault has occurred. Check VFD FAULT CODE in ICVC VFD_STAT screen.
Red Inverter Green Rectifier	Steady	VFD Gate Kill circuit has opened because the compressor high pressure switch has opened.

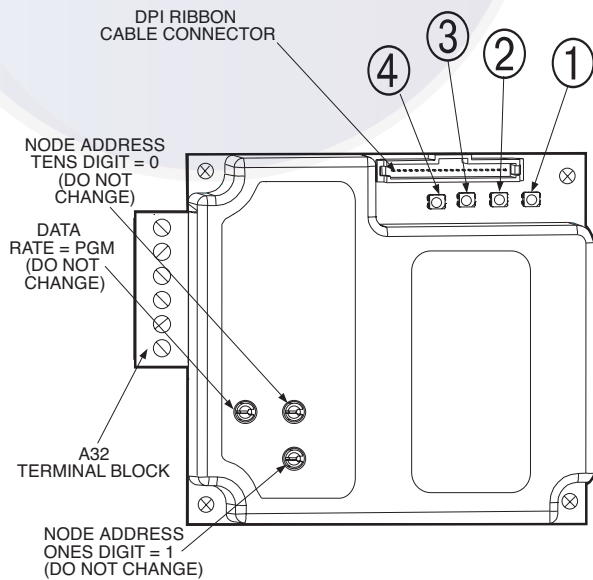
**RECTIFIER STATUS LIGHT**

COLOR	STATE	DESCRIPTION
Green	Flashing	Rectifier ready, but not running and no faults are present.
	Steady	Rectifier running, no faults are present.
Yellow	Flashing	Rectifier is not ready. A VFD start inhibit is in effect. This is a normal state if the inverter is not running and/or the precharge contacts are open.
	Steady	Rectifier alarm condition exists. Check VFD FAULT CODE in ICVC VFD_STAT screen.
Red	Flashing	Rectifier fault has occurred. Check (VFD FAULT CODE in ICVC VFD_STAT screen.
	Steady	A non-resettable fault has occurred. Check VFD FAULT CODE in ICVC VFD_STAT screen.
Red Inverter Green Rectifier	Steady	VFD Gate Kill circuit has opened because the compressor high pressure switch has opened.

**INVERTER AND RECTIFIER CONTROL BOARD FAILURE STATUS LIGHT PATTERNS**

COLOR	DESCRIPTION
Red/Green Alternating	Control board application firmware may be corrupt. Call Carrier Service.
Yellow/Green/Red Repeating Pattern	Control board RAM failure or control board firmware may be corrupt. Call Carrier Service.

**Fig. 51 — DPI Communications Interface Board Status LEDs**



NUMBER	STATUS INDICATOR	DESCRIPTION
1	DRIVE	DPI Connection Status
2	MS	Module Status
3	NET A	Serial Communication Status
4	NET B	Serial Communication Traffic Status

NOTE: If all status indicators are off, the Gateway is not receiving power.

**Fig. 52 — Gateway Status LEDs**

**Physical Data** — Tables 22-28 and Fig. 53-57 provide additional information on component weights, physical and electrical data, and wiring schematics for the operator's convenience during troubleshooting.

**⚠ WARNING**

Do not attempt to disconnect flanges while the machine is under pressure. Failure to relieve pressure can result in personal injury or damage to the unit.

**⚠ CAUTION**

Before rigging the compressor, disconnect all wires entering the power panel.

**Table 22 — 23XRV Heat Exchanger Weights**

CODE	English						Metric (SI)					
	Dry Rigging Weight (lb)*		Machine Charge				Dry Rigging Weight (kg)*		Machine Charge			
	Cooler Only	Condenser Only	Refrigerant Weight (lb)		Liquid Weight (lb)		Cooler Only	Condenser Only	Refrigerant Weight (kg)		Liquid Weight (kg)	
			With Economizer	Without Economizer	Cooler	Condenser			With Economizer	Without Economizer	Cooler	Condenser
30	4148	3617	800	650	464	464	1877	1676	363	295	210	210
31	4330	3818	800	650	531	542	1959	1769	363	295	241	246
32	4522	4023	800	650	601	621	2046	1860	363	295	273	282
35	4419	4529	910	760	511	513	2000	2089	413	345	232	233
36	4627	4758	910	760	587	602	2094	2195	413	345	266	273
37	4845	4992	910	760	667	692	2193	2299	413	345	303	314
40	5008	4962	900	750	863	915	2675	2746	408	340	391	415
41	5178	5155	900	750	930	995	2758	2839	408	340	422	451
42	5326	5347	900	750	990	1074	2832	2932	408	340	449	487
45	5463	5525	1015	865	938	998	2882	3001	460	392	425	453
46	5659	5747	1015	865	1014	1088	2976	3108	460	392	460	494
47	5830	5967	1015	865	1083	1179	3061	3214	460	392	491	535
50	5827	6013	1250	1100	1101	1225	3182	3304	567	499	499	556
51	6053	6206	1250	1100	1192	1304	3294	3397	567	499	541	591
52	6196	6387	1250	1100	1248	1379	3364	3485	567	499	566	626
55	6370	6708	1430	1280	1201	1339	3429	3620	649	581	545	607
56	6631	6930	1430	1280	1304	1429	3556	3726	649	581	591	648
57	6795	7138	1430	1280	1369	1514	3636	3826	649	581	621	687

\*Rigging weights are for standard tubes of standard wall thickness (Turbo-B3 and Spikefin 2, 0.025-in. [0.635 mm] wall).

NOTES:

1. Cooler includes the suction elbow and 1/2 the distribution piping weight.
2. Condenser includes float valve and sump, discharge elbow, and 1/2 the distribution piping weight.
3. For special tubes refer to the 23XRV Computer Selection Program.
4. All weights for standard 2 pass NIH (nozzle-in-head) design with victaulic grooves.

**Table 23 — 23XRV Compressor Weights**

MOTOR SIZE*	ENGLISH				SI			
	Compressor Weight† (lb)	Stator Weight (lb)	Rotor Weight (lb)	Motor Terminal Cover (lb)	Compressor Weight† (kg)	Stator Weight (kg)	Rotor Weight (kg)	Motor Terminal Cover (kg)
P,Q,R,S,T,U,V	4866	441	229	46	2207	200	104	21

\*Total compressor weight is the sum of the compressor components (compressor weight column), stator, and end bell weights.

†Compressor size number is the first digit of the motor code. See Fig. 1.

**Table 24 — 23XRV Component Weights**

COMPONENT	FRAME 3 HEAT EXCHANGER		FRAME 4 HEAT EXCHANGER		FRAME 5 HEAT EXCHANGER	
	lb	kg	lb	kg	lb	kg
Isolation Valves	70	32	70	32	115	52
Suction Elbow	179	81	237	108	232	105
Discharge Pipe Assembly	747	339	747	339	747	339
Control Center	1650	749	1650	749	1650	749
Vaporizer and Oil Sump	700	318	700	318	700	318
Economizer	542	246	542	246	542	246



**Table 25A — 23XRV Waterbox Cover Weights — English (lb)\*  
FRAMES 3, 4, AND 5**

WATERBOX DESCRIPTION	COOLER						CONDENSER					
	Frame 3		Frame 4		Frame 5		Frame 3		Frame 4		Frame 5	
	Victaulic Nozzles	Flanged	Victaulic Nozzles	Flanged	Victaulic Nozzles	Flanged	Victaulic Nozzles	Flanged	Victaulic Nozzles	Flanged	Victaulic Nozzles	Flanged
NIH,1 pass Cover 150 PSIG	282	318	148	185	168	229	282	318	148	185	168	229
NIH,2 pass Cover 150 PSIG	287	340	202	256	222	276	287	340	191	245	224	298
NIH,3 pass Cover 150 PSIG	294	310	472	488	617	634	294	310	503	519	628	655
NIH Plain End, 150 PSIG	243	243	138	138	154	154	225	225	138	138	154	154
MWB End Cover, 150 PSIG*	243/315	243/315	138/314	138/314	154/390	154/390	225/234	225/234	138/314	138/314	154/390	154/390
NIH,1 pass Cover 300 PSIG	411	486	633	709	764	840	411	486	633	709	764	840
NIH,2 pass Cover 300 PSIG	411	518	626	733	760	867	411	578	622	729	727	878
NIH,3 pass Cover 300 PSIG	433	468	660	694	795	830	433	468	655	689	785	838
NIH Plain End, 300 PSIG	291	291	522	522	658	658	270	270	522	522	658	658
MWB End Cover, 300 PSIG*	445/619	445/619	522/522	522/522	658/658	658/658	359/474	359/474	522/522	522/522	658/658	658/658

LEGEND

MWB — Marine Waterbox  
NIH — Nozzle-In-Head

\*Rows with two entries list nozzle end weight/return end weights.

NOTE: Weight for NIH 2-pass cover, 150 psig (1034 kPa), is included in the heat exchanger weights shown in Table 22.

**Table 25B — 23XRV Waterbox Cover Weights — SI (kg)\*  
FRAMES 3, 4, AND 5**

WATERBOX DESCRIPTION	COOLER						CONDENSER					
	Frame 3		Frame 4		Frame 5		Frame 3		Frame 4		Frame 5	
	Victaulic Nozzles	Flanged	Victaulic Nozzles	Flanged	Victaulic Nozzles	Flanged	Victaulic Nozzles	Flanged	Victaulic Nozzles	Flanged	Victaulic Nozzles	Flanged
NIH,1 pass Cover 1034 kPa	128	144	67	84	76	104	128	144	67	84	76	104
NIH,2 pass Cover 1034 kPa	130	154	92	116	101	125	130	154	87	111	102	135
NIH,3 pass Cover 1034 kPa	133	141	214	221	280	288	133	141	228	235	285	297
NIH Plain End, 1034 kPa	110	110	63	63	70	70	102	102	63	63	70	70
MWB End Cover, 1034 kPa	110/143	110/143	63/142	63/142	70/177	70/177	102/106	102/106	63/142	63/142	70/177	70/177
NIH,1 pass Cover 2068 kPa	186	220	287	322	347	381	186	220	287	322	346	381
NIH,2 pass Cover 2068 kPa	186	235	284	332	344	393	186	235	282	331	330	398
NIH,3 pass Cover 2068 kPa	196	212	299	315	361	376	196	212	297	313	356	380
NIH Plain End, 2068 kPa	132	132	237	237	298	298	122	122	237	237	298	298
MWB End Cover, 2068 kPa	202/281	202/281	237/237	237/237	298/298	298/298	163/215	163/215	237/237	237/237	298/298	298/298

LEGEND

MWB — Marine Waterbox  
NIH — Nozzle-In-Head

\*Rows with two entries list nozzle end weight/return end weights.

NOTE: Weight for NIH 2-pass cover, 150 psig (1034 kPa), is included in the heat exchanger weights shown in Table 22.

**Table 26 — Optional Storage Tank and/or Pumpout System Physical Data**

UNIT SIZE	TANK OUTSIDE DIAMETER		DRY WEIGHT		MAXIMUM REFRIGERANT CAPACITY			
					ASHRAE/ANSI 15		VL-1963	
					HFC-134a		HFC-134a	
	in.	mm	lb	kg	lb	kg	lb	kg
28	24.00	610	2334	1059	1860	844	1716	778
52	27.25	692	3414	1549	3563	1616	3286	1491

LEGEND

ANSI — American National Standards Institute  
ARI — Air Conditioning and Refrigeration Institute  
ASHRAE — American Society of Heating, Refrigeration, and Air Conditioning Engineers

NOTES:

- ANSI/ASHRAE 15 — Safety Code for Mechanical Refrigeration
- Dry weights include the pumpout condensing unit weight of 164 lb (75 kg).

**Table 27 — Optional Storage Tank and/or Pumpout System Electrical Data**

VOLTS-PH-HZ	MAX RLA	LRA
208/230-3-50/60	15.8	105.0
460-3-60	7.8	52.0
400-3-50	7.8	52.0

LEGEND

LRA — Locked Rotor Amps  
RLA — Rated Load Amps

**Table 28 — 23XRV Compressor Torque Specification Chart**

PART NO.	DESCRIPTION	LOCATION/USAGE	TORQUE	
			lb-ft	Nm
8TR0115	M5 X 0.8 X 16LG SHCS GR 12.9	Hermetic Term, Outlet Casing Sub-ASS'Y Motor Side Seal Installation	5- 7	7- 9
8TR0116	M5 X 0.8 X 30LG SHCS GR 12.9	Inlet Seal Installation	5- 7	7- 9
8TR0117	M5 X 0.8 X 60LG SHCS GR 12.9	Inlet Seal Installation	5- 7	7- 9
8TR0303	M10 X 1.5 X 40LG SHCS GR 12.9	Bearing Cover Installation	50- 55	68- 75
8TR0304	M20 X 1.0 X 120LG SHCS GR 12.9	Outlet Casing Process Bolts	430-450	583-610
8TR0120	M12 X 1.75 X 50LG SHCS GR 12.9	Motor Terminal Cover Install and Lube Block	90- 95	122-129
8TR0122	M20 X 2.5 X 80LG SHCS GR 12.9	Motor Housing and Bearing Cover Installation	430-450	583-610
8TR0381	M20 X 2.5 X 310LG HHCS GR 12.9	Discharge Flange	430-450	583-610
8TC0089C	Set Screw M10 X 1.5 X 30	Motor Stator Sub-Assembly	30- 35	41- 47
8TC0290C	<sup>1</sup> / <sub>4</sub> " NPTF	Bearing Cover Lube Plug	20- 25	27- 34
8TQ0189	M6 X 1.0 X 25LG SHCS GR 12.9	Rotor Caps & Male Axial Seal	7- 9	9- 12
8TC0107C	<sup>3</sup> / <sub>8</sub> " SAE ( <sup>9</sup> / <sub>16</sub> Thread)	Plug Installation	17- 19	23- 26
8TR0106	<sup>3</sup> / <sub>8</sub> " SAE ( <sup>9</sup> / <sub>16</sub> Thread)	Plug Installation	17- 19	23- 26
8TC0109C	<sup>3</sup> / <sub>4</sub> " SAE (1 <sup>1</sup> / <sub>16</sub> Thread)	Rotor Housing	83- 92	112-125
8TR0128	<sup>7</sup> / <sub>8</sub> " SAE (1 <sup>3</sup> / <sub>16</sub> Thread)	Motor Housing Air Gap Check	92-103	125-140
HY85AA062	1 <sup>3</sup> / <sub>16</sub> " Terminal Pin Body	Motor Installation	45- 55	61- 75
HY85AA062	<sup>5</sup> / <sub>8</sub> " Term Nut, Mtr Lead, Term Nut	Motor Installation	40- 45	54- 61
8TR0121	M16 X 2 X 70LG HHCS GR 10.9	Motor Rotor (Special)	17- 22	23- 30
8TC1044	M12 X 1.75 X 30LG SHCS GR 12.9	Lube Cover Plate Installation Valve Pad Installation	87- 93	118-126
8TR0238	<sup>5</sup> / <sub>8</sub> " — 11UNC X 1.88" LG HHCS GR 8	Economizer Cover	185-195	251-264
8TR0357	<sup>1</sup> / <sub>8</sub> -27 NPT (Brass) Orifice	Lube Block & Bearing Cover Plate	4- 6	5- 8
8TR0358	<sup>3</sup> / <sub>8</sub> " SAE ( <sup>9</sup> / <sub>16</sub> Thread) Choke Orifice	Lube Block	17- 19	23- 26
8TR0363	<sup>7</sup> / <sub>8</sub> " 9 UNC X 2" LG HHCS GR 8	Suction & Discharge Covers	430-450	583-610

LEGEND

GR	— Grade
HHCS	— Hex Head Cap Screw
LG	— Long
SHCS	— Socket Head Cap Screw
UNC	— Unified Coarse Thread

NOTE:  
GROUND SHIELDS AT SIGNAL  
GENERATING DEVICES.

AUTO DEMAND LIMIT  
(OPTIONAL)  
EXT 4-20mA  
(1-5Vdc)

AUTO CHILLED LIQUID TEMP.  
RESET  
(OPTIONAL)  
EXT 4-20mA  
(1-5Vdc)

REFRIGERANT LEAK SENSOR  
(OPTIONAL)  
EXT 4-20mA  
(1-5Vdc)

EVAP ENT  
LIQUID TEMP (RED)

EVAP LVG  
LIQUID TEMP (RED)

COND ENT  
LIQUID TEMP (RED)

COND LVG  
LIQUID TEMP (RED)

EVAP REFRIG  
LIQUID TEMP (RED)

REMOTE TEMP  
RESET (OPTIONAL) (WHT)

COMP'R  
DISCH TEMP (RED)

VAPORIZER  
TEMP (RED)

COMP'R OIL  
SUMP TEMP (RED)

NOISE  
SUPPRESSOR

COMP'R MOTOR  
WINDING TEMP (WHT)

SPARE TEMP #1  
(OPTIONAL) (WHT)

SPARE TEMP #2  
(OPTIONAL) (WHT)

OIL SUMP  
PRESSURE (BLK)

OIL PRESSURE  
LEAVING FILTER (BLK)

LOAD RESISTOR  
RELATIVE  
HUMIDITY (RED)

DISCHARGE  
PRESSURE (BLK)

LOAD RESISTOR  
EVAP LIQUID FLOW  
CIRCUIT. TO INSTALL  
OPTIONAL FLOW  
DEVICE WIRE AS  
SHOWN (N.O.) AND  
REPLACE JUMPER  
WITH 4.3K RESISTOR

LOAD RESISTOR  
COND LIQUID FLOW  
CIRCUIT. TO INSTALL  
OPTIONAL FLOW  
DEVICE WIRE AS  
SHOWN (N.O.) AND  
REPLACE JUMPER  
WITH 4.3K RESISTOR

EVAPORATOR  
PRESSURE (BLK)

CONDENSER  
PRESSURE (BLK)

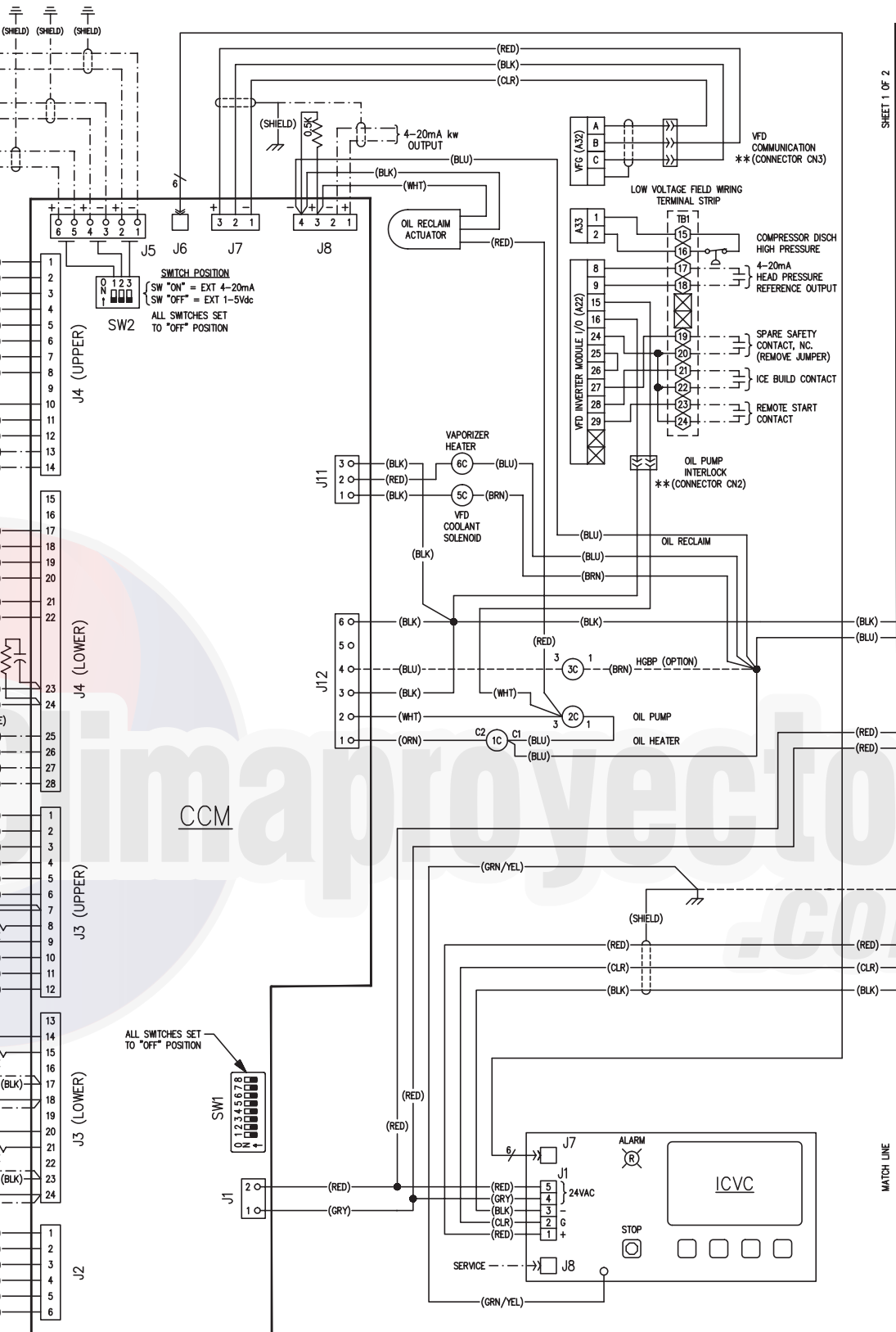
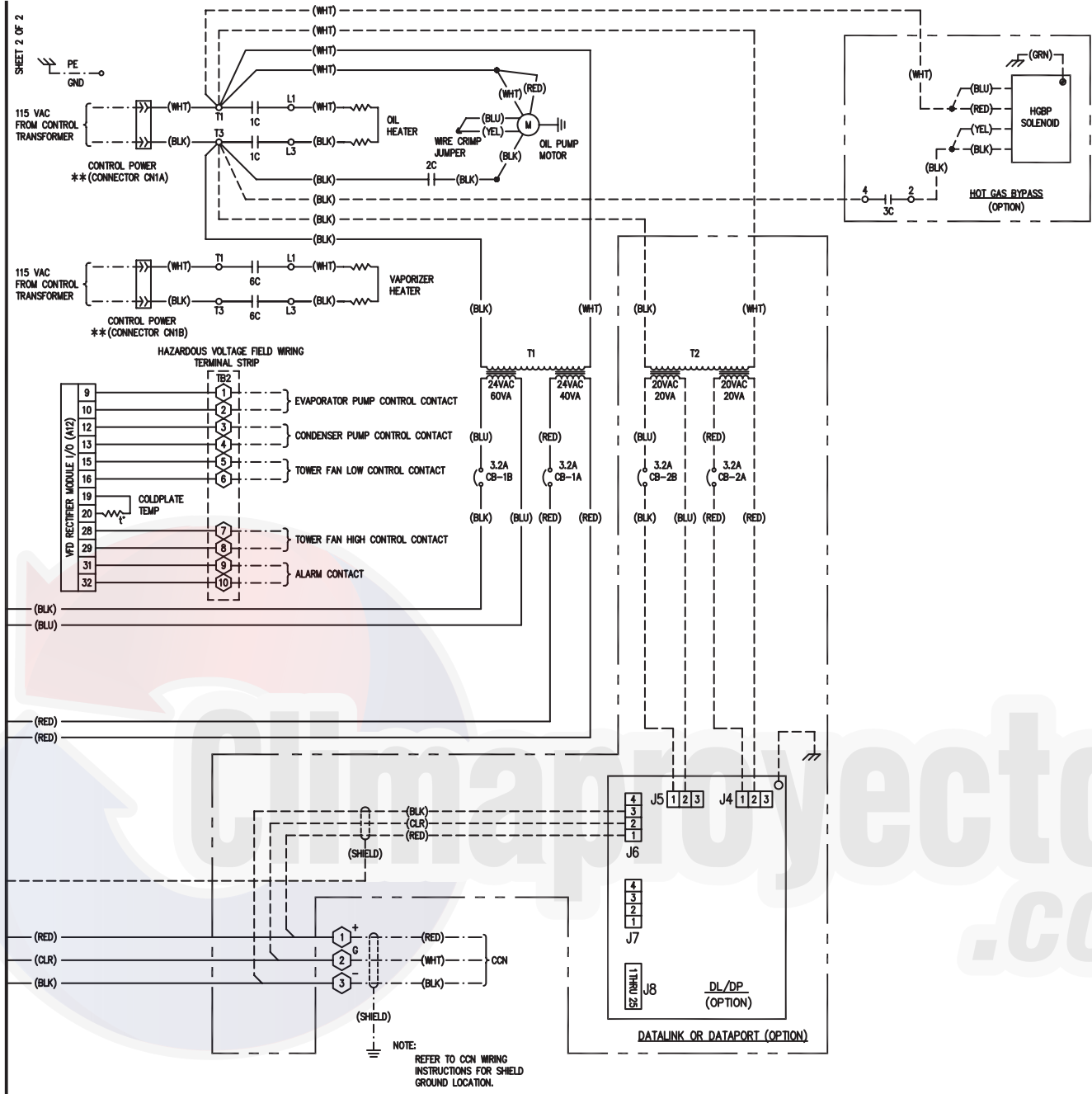


Fig. 53 — 23XRV Controls Schematic

SHEET 1 OF 2  
SHEET 2 OF 2

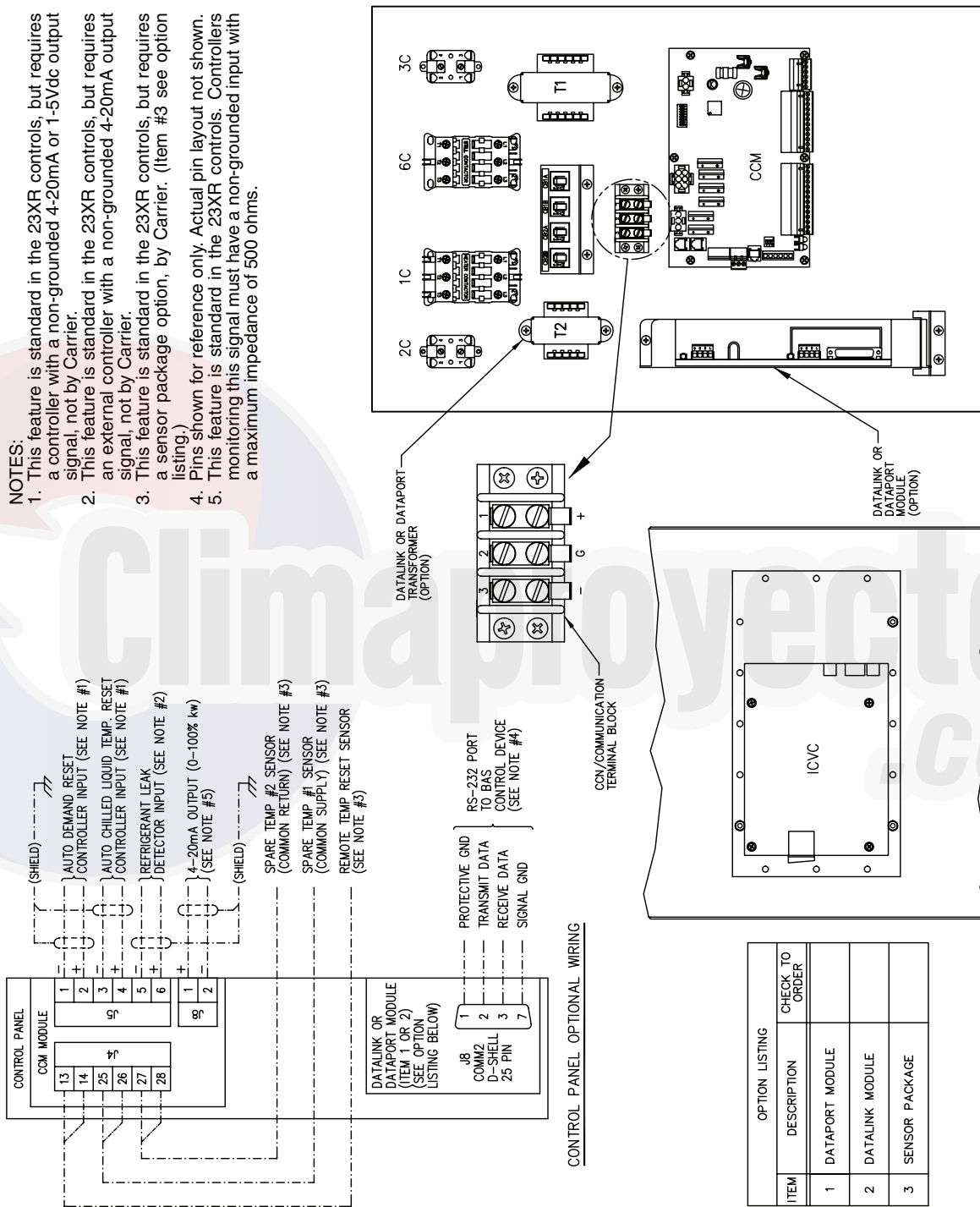
MATCH LINE  
MATCH LINE



NOTE:  
REFER TO CCN WIRING  
INSTRUCTIONS FOR SHIELD  
GROUND LOCATION.

LEGEND		ABBREVIATION LISTING	
	DENOTES FIELD WIRING TERMINAL	AXX	VFD TERMINAL BOARD (EXAMPLE A12)
	DENOTES 3.2A CIRCUIT BREAKER	CB-XX	CIRCUIT BREAKER (EXAMPLE CB-1B)
	DENOTES FACTORY WIRED TERMINAL	CCM	CHILLER CONTROL MODULE
	DENOTES VFD TO CONTROL PANEL CONNECTOR	CCN	CARRIER COMFORT NETWORK
	DENOTES 115V COMPONENT TERMINAL	DL/DP	DATALINK OR DATAPORT
	DENOTES WIRE SPlice	HGBP	HOT GAS BYPASS
	DENOTES CONDUCTOR MALE/FEMALE CONNECTOR	ICVC	INTERNATIONAL CHILLER VISUAL CONTROLLER
	DENOTES OPTION WIRING	VFD	VARIABLE FREQUENCY DRIVE
	DENOTES FIELD WIRING	VFG	VARIABLE FREQUENCY (DRIVE) GATEWAY
	DENOTES HUMIDITY SENSOR		

Fig. 53 — 23XRV Controls Schematic (cont)



**NOTES:**

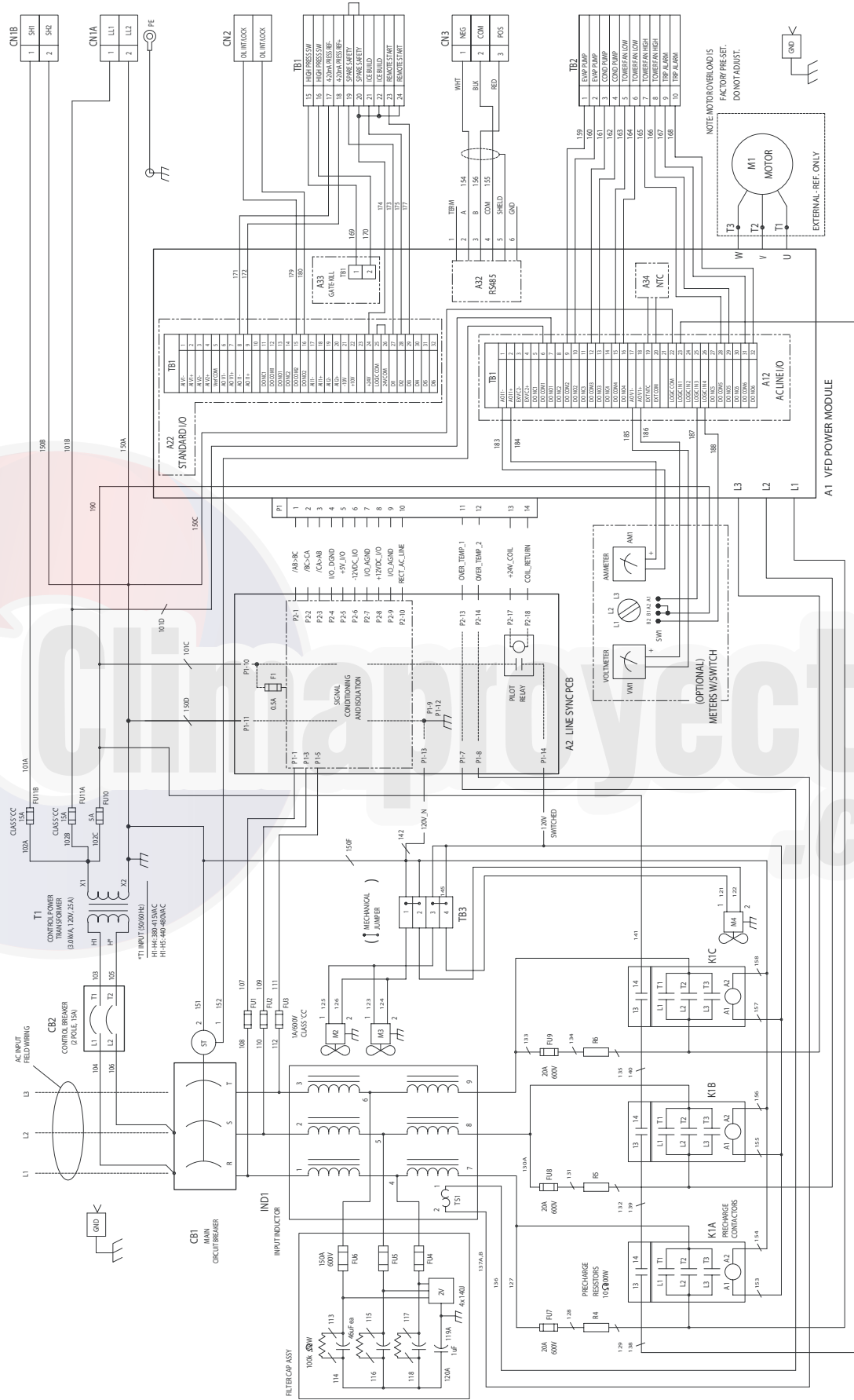
1. This feature is standard in the 23XR controls, but requires a controller with a non-grounded 4-20mA or 1-5Vdc output signal, not by Carrier.
2. This feature is standard in the 23XR controls, but requires an external controller with a non-grounded 4-20mA output signal, not by Carrier.
3. This feature is standard in the 23XR controls, but requires a sensor package option, by Carrier. (Item #3 see option listing.)
4. Pins shown for reference only. Actual pin layout not shown.
5. This feature is standard in the 23XR controls. Controllers monitoring this signal must have a non-grounded input with a maximum impedance of 500 ohms.

OPTION LISTING		CHECK TO ORDER
ITEM	DESCRIPTION	
1	DATAPORT MODULE	
2	DATALINK MODULE	
3	SENSOR PACKAGE	

CONTROL PANEL COMPONENT LAYOUT

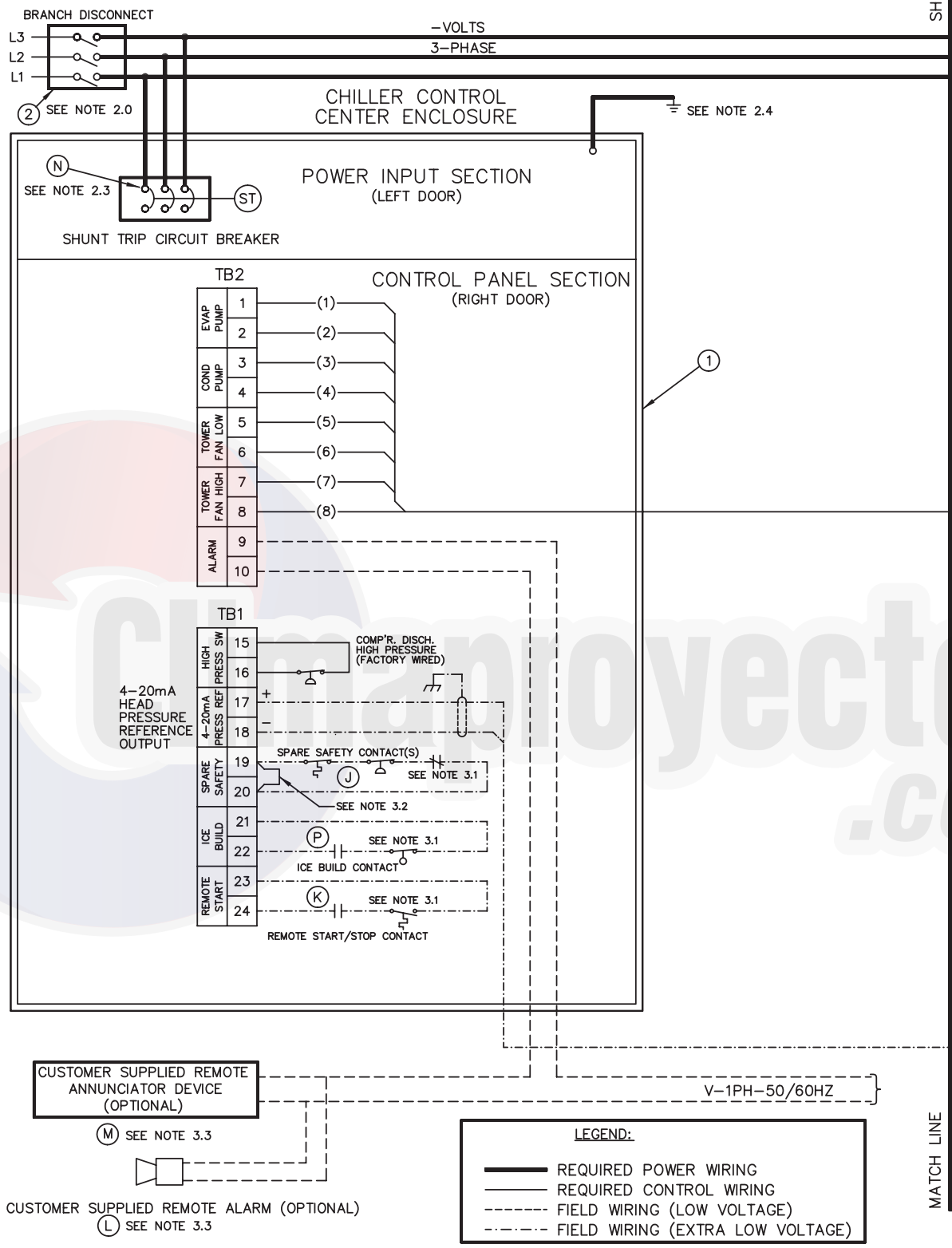
INSIDE PANEL DOOR

**Fig. 53 — 23XRV Controls Schematic (cont)**



FOR TECHNICAL SUPPORT CALL 1-800-726-8112

Fig. 54 — 23XRV VFD Schematic



**Fig. 55 — Typical Field Wiring Schematic**

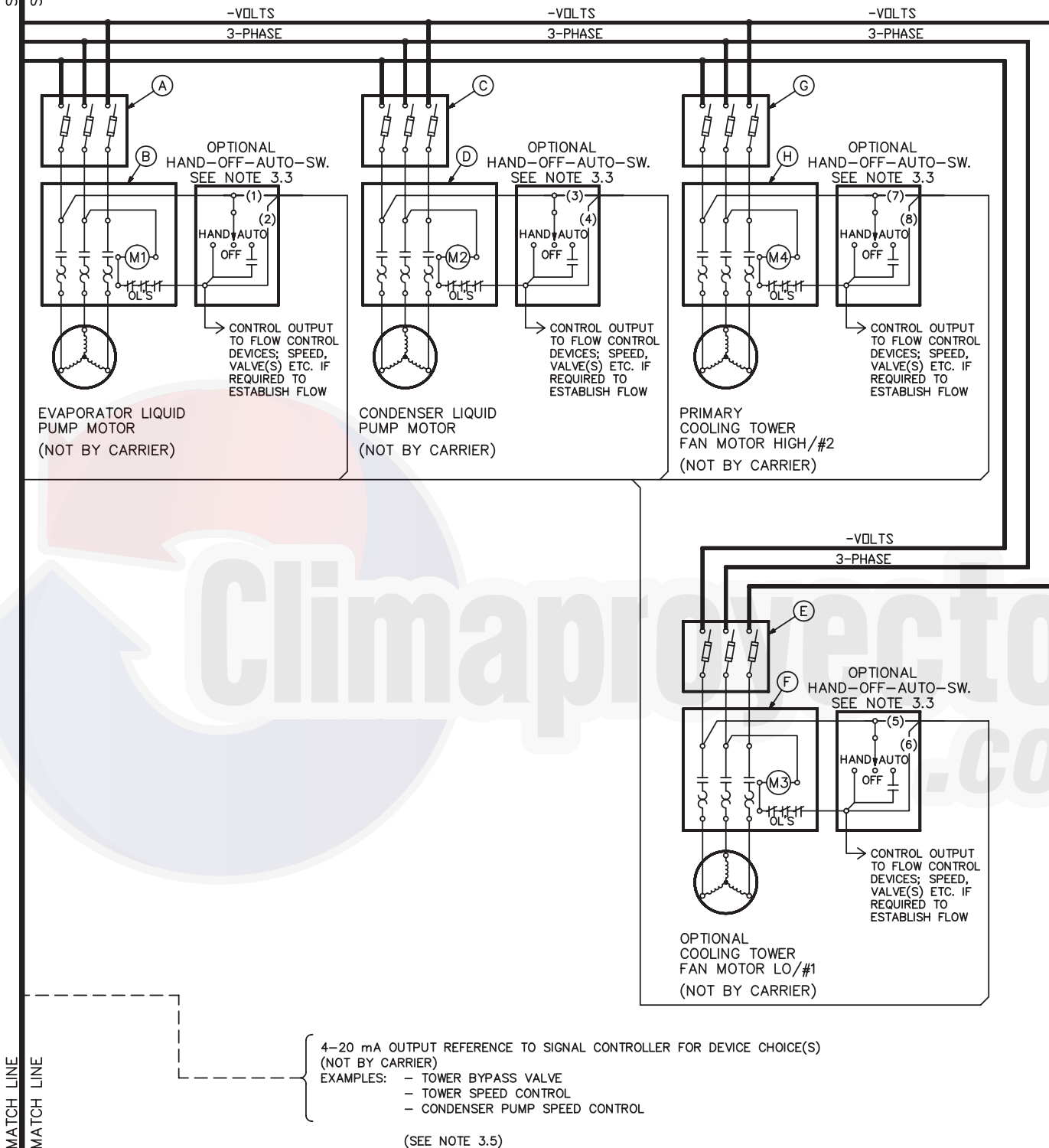


Fig. 55 — Typical Field Wiring Schematic (cont)



ITEM	DESCRIPTION	
1	UNIT MOUNTED VFD WITH SHUNT TRIP CIRCUIT BREAKER (65K AMPS INTERRUPT/SHORT CIRCUIT)	
	UNIT MOUNTED VFD WITH SHUNT TRIP CIRCUIT BREAKER (100K AMPS INTERRUPT/SHORT CIRCUIT)	
	INCLUDES:	
	(1) N.O. CHILLED WATER PUMP CONTACT OUTPUT	
	(1) N.O. CONDENSER WATER PUMP CONTACT OUTPUT	
	(1) N.O. TOWER FAN LOW / #1 CONTACT OUTPUT	
	(1) N.O. TOWER FAN HIGH / #2 CONTACT OUTPUT	
	(1) N.O. ALARM CONTACT OUTPUT	
	(1) 4–20mA HEAD PRESSURE REFERENCE OUTPUT	
	(1) N.C. SPARE SAFETY (DRY) CONTACT INPUT	
	(1) N.O. REMOTE START (DRY) CONTACT INPUT	
	(1) N.O. ICE BUILD (DRY) CONTACT INPUT	
	PROTECTION	3 PHASE UNDER / OVER VOLTAGE PROTECTION (LINE SIDE)
		PHASE LOSS / IMBALANCE / REVERSAL PROTECTION (LINE SIDE)
		FREQUENCY SHIFT PROTECTION (LINE SIDE)
		OVER CURRENT PROTECTION (LINE AND LOAD SIDE)
		PHASE TO GROUND FAULT PROTECTION (LINE AND LOAD SIDE)
	METERING	3 PHASE AMPS (CHILLER DISPLAY LINE AND LOAD SIDE)
		3 PHASE VOLTS (CHILLER DISPLAY LINE SIDE)
		4–20mA KW TRANSDUCER OUTPUT (LINE SIDE) FROM CHILLER CONTROL MODULE (CCM)
KW HOURS / DEMAND KW (CHILLER DISPLAY LINE SIDE)		
ANCILLARY	KW METERING (CHILLER DISPLAY LINE AND LOAD SIDE)	
	CONTROL POWER TRANSFORMER (3KVA)	
	CONTROLS AND OIL HEATER DISCONNECT	
	3 PHASE ANALOG VOLTS / AMPS METER PACKAGE (OPTION)	
	CE – MARKING (OPTION)	
2	SYSTEM FEEDER (SHORT CIRCUIT, GROUND FAULT & PROTECTION)	
A	EVAPORATOR LIQUID PUMP STARTER DISCONNECT	
B	EVAPORATOR LIQUID PUMP MOTOR STARTER	
C	CONDENSER LIQUID PUMP STARTER DISCONNECT	
D	CONDENSER LIQUID PUMP MOTOR STARTER	
E	COOLING TOWER FAN STARTER DISCONNECT (LOW FAN/#1)	
F	COOLING TOWER FAN STARTER (LOW FAN/#1)	
G	COOLING TOWER FAN STARTER DISCONNECT (HIGH FAN/#2)	
H	COOLING TOWER FAN STARTER (HIGH FAN/#2)	
J	SPARE SAFETY DEVICES [ N.C. ] SEE NOTE 3.1	
K	REMOTE START / STOP DEVICE [ N.O. ] SEE NOTE 3.1	
L	REMOTE ALARM SEE NOTE 3.3	
M	REMOTE ANNUNCIATOR SEE NOTE 3.3	
N	LINE SIDE LUG ADAPTERS SEE NOTE 2.3	
P	ICE BUILD START / TERMINATE DEVICE SEE NOTE 3.1	

**Fig. 55 — Typical Field Wiring Schematic (cont)**

## NOTES FOR FIG. 55

### GENERAL

- 1.0 Variable frequency drive (VFD) shall be designed and manufactured in accordance with Carrier engineering requirements.
- 1.1 All field-supplied conductors, devices and the field-installation wiring, termination of conductors and devices, must be in compliance with all applicable codes and job specifications.
- 1.2 The routing of field-installed conduit and conductors and the location of field-installed devices, must not interfere with equipment access or the reading, adjusting or servicing of any component.
- 1.3 Equipment installation and all starting and control devices, must comply with details in equipment submittal drawings and literature.
- 1.4 Contacts and switches are shown in the position they would assume with the circuit de-energized and the chiller shutdown.
- 1.5

### ⚠ WARNING

Do not use aluminum conductors. Contractor/installer assumes all liability resulting from the use of aluminum conductors within the VFD enclosure.

### POWER WIRING TO VFD

- 2.0 Provide a means of disconnecting branch feeder power to VFD. Provide short circuit protection and interrupt capacity for branch feeder in compliance with all applicable codes.
- 2.1 If metal conduit is used for the power wires, the last 4 feet or greater should be flexible to avoid transmitting unit vibration into the power lines and to aid in serviceability.
- 2.2 Line side power conductor rating must meet VFD nameplate voltage and chiller minimum circuit ampacity.
- 2.3 Lug adapters may be required if installation conditions dictate that conductors be sized beyond the minimum ampacity required. Circuit breaker lugs will accommodate the quantity (#) and size cables (per phase) as shown in Table 29.
- 2.4 Compressor motor and controls must be grounded by using equipment grounding lug provided inside unit mounted VFD enclosure.

### CONTROL WIRING

- 3.0 Field-supplied control conductors to be at least 18 AWG or larger.

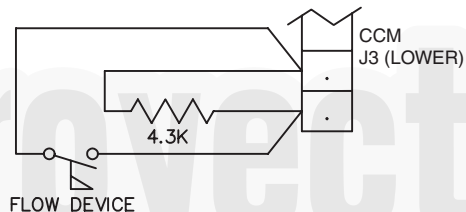
- 3.1 Ice build start/terminate device contacts, remote start/stop device contacts and spare safety device contacts, (devices not supplied by Carrier), must have 24 VAC rating. Max current is 60 mA, nominal current is 10 mA. Switches with gold plated bifurcated contacts are recommended.
- 3.2 Remove jumper wire between TB1-19 and TB1-20 before connecting auxiliary safeties between these terminals.
- 3.3 Each integrated contact output can control loads (VA) for evaporator pump, condenser pump, tower fan low, tower fan high, and alarm annunciator devices rated 5 amps at 115 VAC and up to 3 amps at 277 VAC.

### ⚠ WARNING

Control wiring required for Carrier to start pumps and tower fan motors and establish flows must be provided to assure machine protection. If primary pump, tower fan and flow control is by other means, also provide a parallel means for control by Carrier. Failure to do so could result in machine freeze-up or over-pressure.

Do not use control transformers in the control center as the power source for external or field-supplied contactor coils, actuator motors or any other loads.

- 3.4 Do not route control wiring carrying 30 V or less within a conduit or tray which has wires carrying 50 V or higher or along side wires carrying 50 V or higher.
- 3.5 Spare 4-20 mA output signal is designed for controllers with a non-grounded 4-20 mA input signal and a maximum input impedance of 500 ohms.
- 3.6 Flow devices to confirm evaporator or condenser pump flow are not required. However; if flow devices are used, wire as shown on drawing 23XRC1-1 (J3 lower). Remove jumper installed at these terminals and wire in a 4.3 K resistor in its place.



The flow device and resistor must be installed in parallel at these terminals such that the resistor provides a signal when the flow device is open.

**Table 29 — Lug Capacity**

VFD MAX. INPUT AMPS.	STANDARD 65K AIC LUG CAPACITY (PER PHASE)		OPTIONAL 100K AIC LUG CAPACITY (PER PHASE)	
	No. Conductors	Conductor Range	No. Conductors	Conductor Range
<b>225A</b>	3	3/0 — 500MCM	2	3/0 — 250MCM
<b>338A</b>	3	3/0 — 500MCM	2	400 — 500MCM
<b>440A</b>	3	3/0 — 500MCM	2	400 — 500MCM
<b>520A</b>	3	3/0 — 500MCM	3	3/0 — 400MCM
<b>608A</b>	3	3/0 — 500MCM	3	3/0 — 400MCM

NOTE: If larger lugs are required, they can be purchased from the manufacturer of the circuit breaker (Cutler-Hammer or Square D).

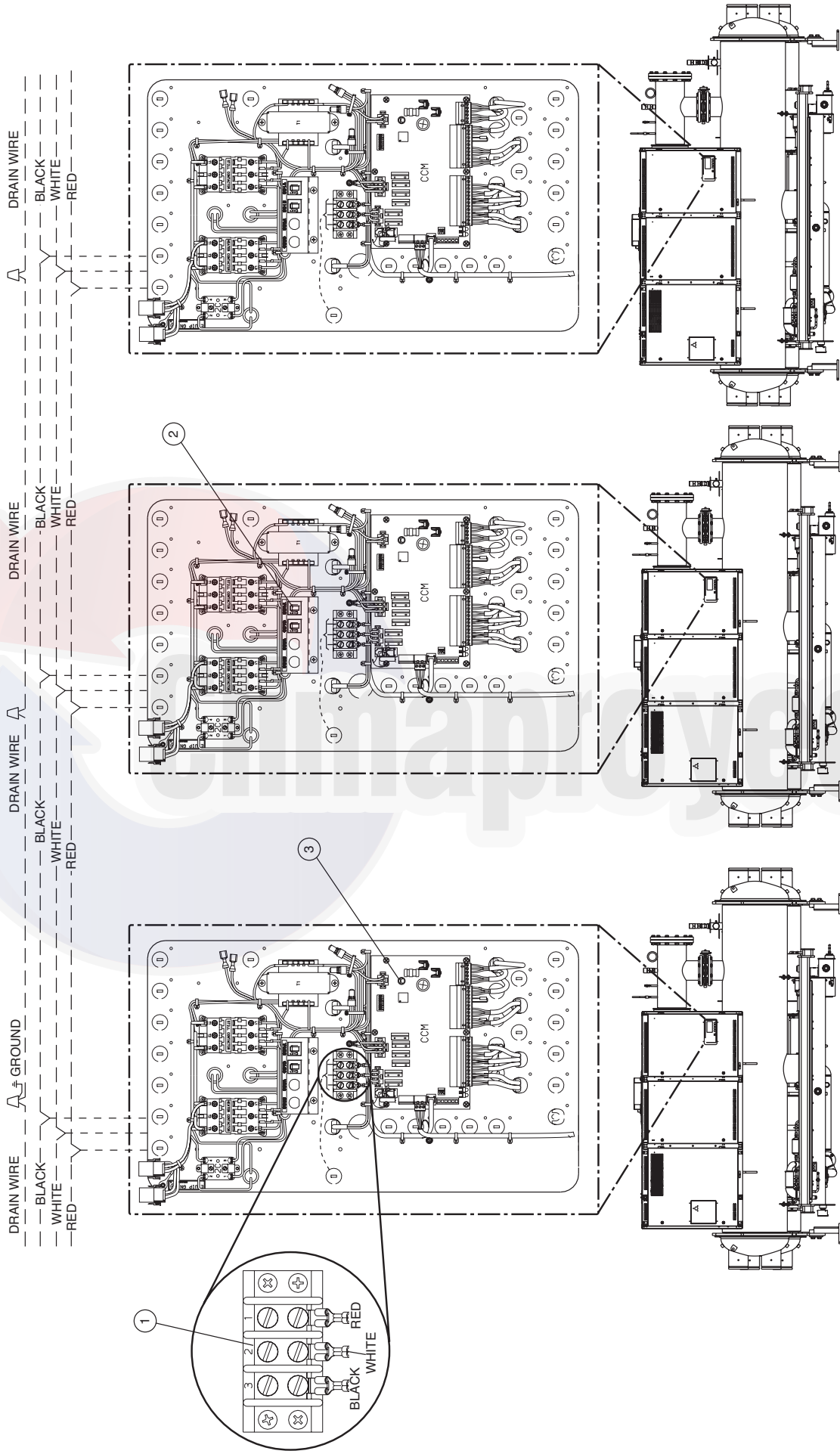
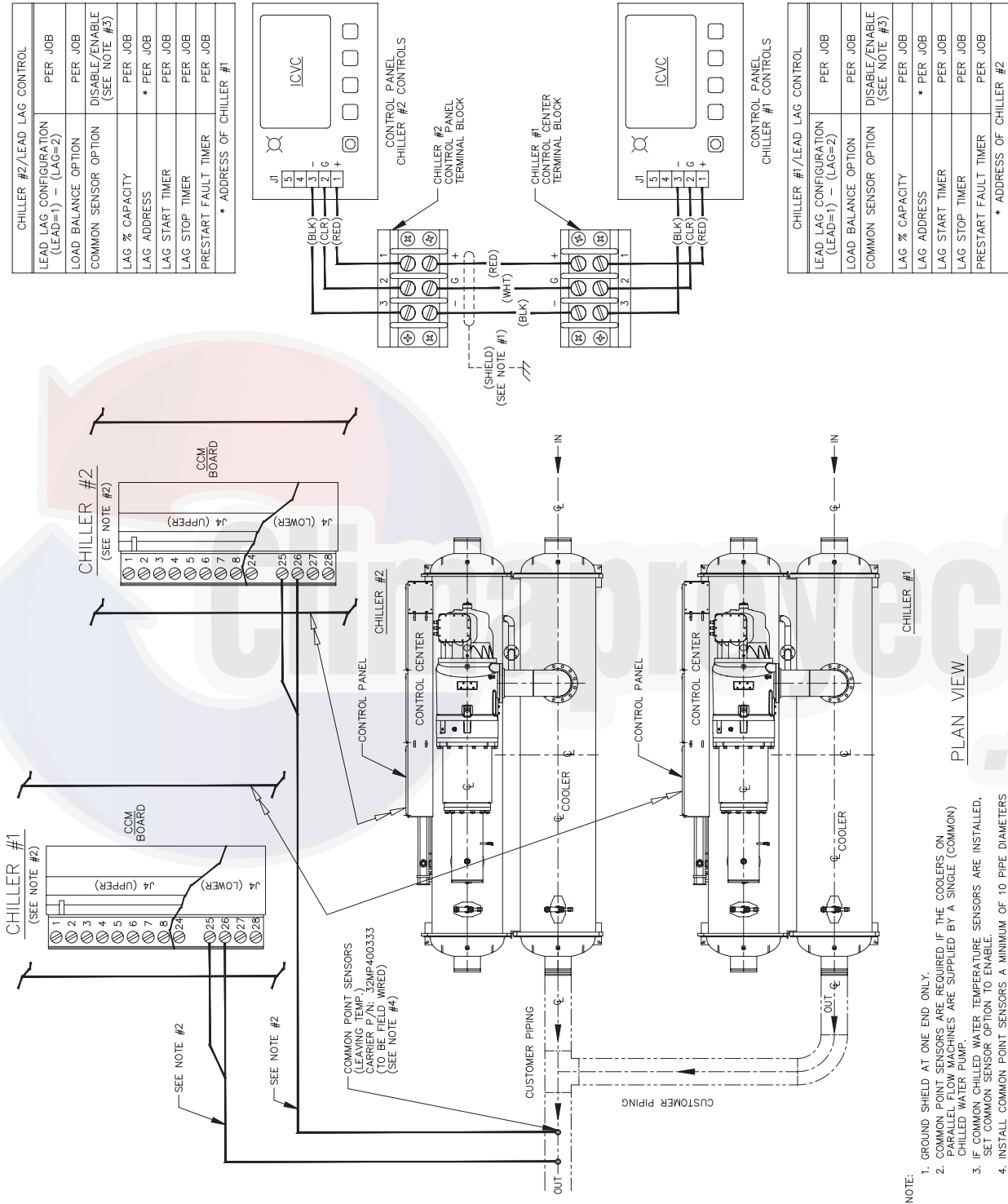
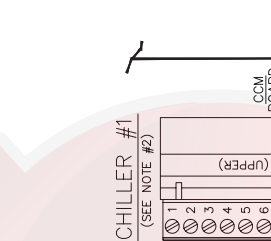


Fig. 56 — CCN Communication Wiring For Multiple Chillers (Typical)

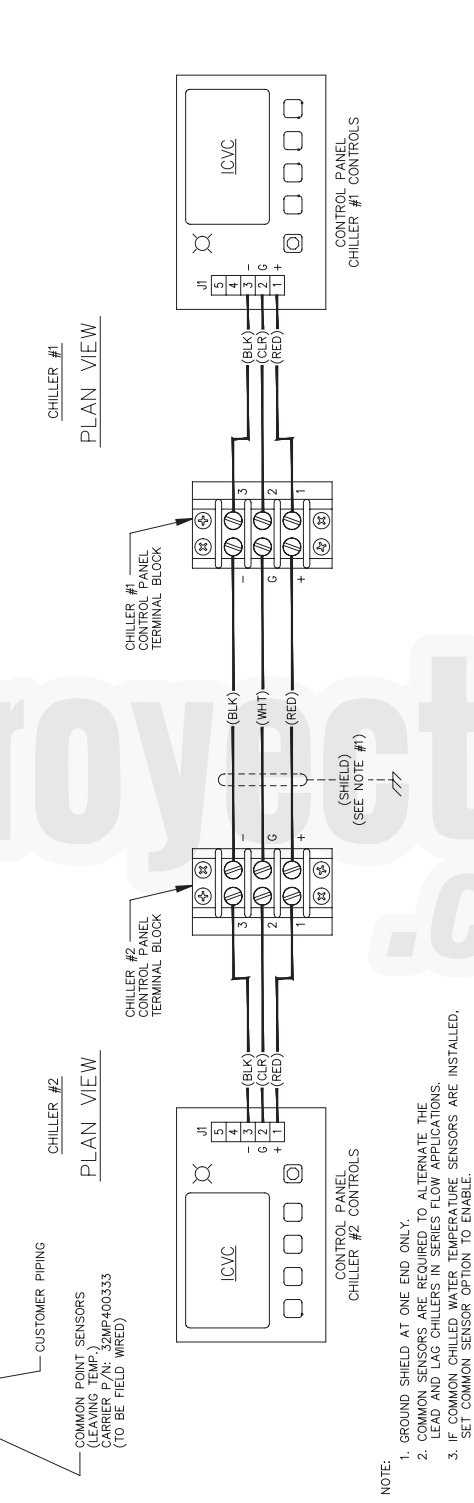
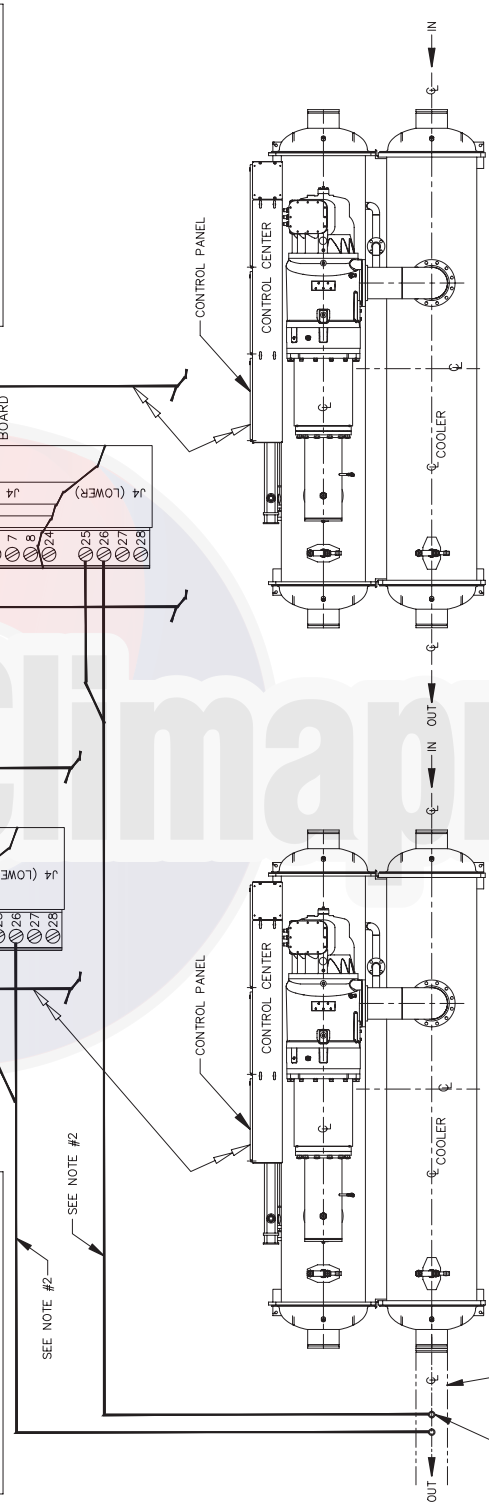
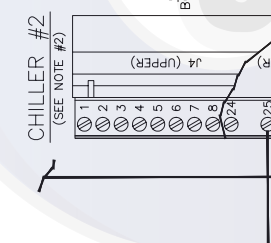


**Fig. 57 — Lead/Lag Control Wiring**

CHILLER #1/LEAD LAG CONTROL	
LEAD LAG CONFIGURATION (LEAD=1) - (LAG=2)	PER JOB
LOAD BALANCE OPTION	PER JOB
COMMON SENSOR OPTION	DISABLE (SEE NOTE #3)
LAG % CAPACITY	PER JOB
LAG ADDRESS	* PER JOB
LAG START TIMER	PER JOB
LAG STOP TIMER	PER JOB
PRESTART FAULT TIMER	PER JOB
* ADDRESS OF CHILLER #2	



CHILLER #2/LEAD LAG CONTROL	
LEAD LAG CONFIGURATION (LEAD=1) - (LAG=2)	PER JOB
LOAD BALANCE OPTION	PER JOB
COMMON SENSOR OPTION	DISABLE (SEE NOTE #3)
LAG % CAPACITY	PER JOB
LAG ADDRESS	* PER JOB
LAG START TIMER	PER JOB
LAG STOP TIMER	PER JOB
PRESTART FAULT TIMER	PER JOB
* ADDRESS OF CHILLER #1	



NOTE:

1. GROUND SHIELD AT ONE END ONLY.
2. COMMON SENSORS ARE REQUIRED TO ALTERNATE THE LEAD AND LAG CHILLERS IN SERIES FLOW APPLICATIONS.
3. IF COMMON CHILLED WATER TEMPERATURE SENSORS ARE INSTALLED, SET COMMON SENSOR OPTION TO ENABLE.

Fig. 57 — Lead/Lag Control Wiring (cont)

## APPENDIX A — ICVC PARAMETER INDEX

PARAMETER	MENU SOFTKEY	TABLE	SCREEN NAME	CONFIGURABLE
1 <sup>st</sup> Current Alarm State	SERVICE	CONTROL ALGORITHM STATUS	CUR_ALARM	
20mA Demand Limit Opt (Demand Limit & KW Ramp)	SERVICE	EQUIPMENT SERVICE	RAMP_DEM	X
2 <sup>nd</sup> Current Alarm State	SERVICE	CONTROL ALGORITHM STATUS	CUR_ALARM	
3 <sup>rd</sup> Current Alarm State	SERVICE	CONTROL ALGORITHM STATUS	CUR_ALARM	
4 <sup>th</sup> Current Alarm State	SERVICE	CONTROL ALGORITHM STATUS	CUR_ALARM	
5 <sup>th</sup> Current Alarm State	SERVICE	CONTROL ALGORITHM STATUS	CUR_ALARM	
Active Delta P	STATUS		HEAT_EX	
Active Delta T	STATUS		HEAT_EX	
Active Demand Limit	STATUS		MAINSTAT	X
Actual VFD Speed	SERVICE	CONTROL ALGORITHM STATUS	CAPACITY	
Actual VFD Speed	STATUS		COMPRESS	
Actual VFD Speed	STATUS		POWER	
Actual VFD Speed (At Last Fault)	SERVICE	CONTROL ALGORITHM STATUS	VFD_HIST	
Address #	SERVICE		ICVC CONFIGURATION	X
Alarm Configuration	SERVICE	EQUIPMENT CONFIGURATION	NET_OPT	
ALARM HISTORY	SERVICE			
Alarm Relay Test	SERVICE	CONTROL TEST	DISCRETE OUTPUTS	X
Alarm Routing (Alarm Configuration)	SERVICE	EQUIPMENT CONFIGURATION	NET_OPT	X
ALERT HISTORY	SERVICE			
Amps or KW Load Ramp %/Min (Demand Limit and KW Ramp)	SERVICE	EQUIPMENT SERVICE	RAMP_DEM	X
Amps/KW Ramp	SERVICE	CONTROL ALGORITHM STATUS	CAPACITY	
ATTACH TO NETWORK DEVICE	SERVICE			
Auto Chilled Liq Reset	STATUS		MAINSTAT	
Auto Demand Limit Input	STATUS		MAINSTAT	
Auto Restart Option	SERVICE	EQUIPMENT SERVICE	OPTIONS	X
Average Line Current	STATUS		POWER	
Average Line Voltage	STATUS		POWER	
Average Load Current	STATUS		POWER	
Base Demand Limit	SETPOINT		SETPOINT	X
Baud Rate	SERVICE		ICVC CONFIGURATION	X
Broadcast Option (CCN Occupancy Config)	SERVICE	EQUIPMENT CONFIGURATION	NET_OPT	X
Bus #	SERVICE		ICVC CONFIGURATION	X
Calc Evap Sat Temp	STATUS		HEAT_EX	
Calc Evap Sat Temp	SERVICE	CONTROL ALGORITHM STATUS	OVERRIDE	
Cap Delta (Capacity Control)	SERVICE	CONTROL ALGORITHM STATUS	CAPACITY	
Capacity Control	SERVICE	CONTROL ALGORITHM STATUS	CAPACITY	
Capacity Control	SERVICE	EQUIPMENT SERVICE	SETUP2	
CCN			DEFAULT SCREEN	X
CCN Mode ?	STATUS		ICVC_PWD	X
CCN Occupancy Config	SERVICE	EQUIPMENT CONFIGURATION	NET_OPT	
CCN Time Schedule	SCHEDULE		OCCP03S	X
CCN Time Schedule(OCCPC03S)	SERVICE	EQUIPMENT CONFIGURATION	OCCDEFCS	X
Chill Liq Pulldown/Min	STATUS		HEAT_EX	
Chilled Liquid Deadband	SERVICE	EQUIPMENT SERVICE	SETUP1	X
Chilled Liquid Delta P	STATUS		HEAT_EX	X
Chilled Liquid Delta P	SERVICE	CONTROL TEST	PRESSURE TRANSDUCERS	
Chilled Liquid Delta P	SERVICE	CONTROL TEST	PUMPS	
Chilled Liquid Delta T	STATUS		HEAT_EX	
Chilled Liquid Flow	SERVICE	CONTROL TEST	PUMPS	
Chilled Liquid Flow	STATUS		STARTUP	
Chilled Liquid Pump	SERVICE	CONTROL TEST	PUMPS	
Chilled Liquid Pump	STATUS		STARTUP	X
Chilled Liquid Temp	STATUS		MAINSTAT	
Chilled Medium	SERVICE	EQUIPMENT SERVICE	SETUP1	X
Chilled Water Temp	SERVICE	CONTROL ALGORITHM STATUS	WSMCHLRE	
Chiller Fault State (At Last Fault)	SERVICE	CONTROL ALGORITHM STATUS	VFD_HIST	
Chiller Start/Stop	STATUS		MAINSTAT	X
CHL Delta T->Full Reset (Temperature Reset Type 3)	SERVICE	EQUIPMENT SERVICE	TEMP_CTL	X
CHL Delta T->No Reset (Temperature Reset Type 3)	SERVICE	EQUIPMENT SERVICE	TEMP_CTL	X
CHW Setpt Reset Value	SERVICE	CONTROL ALGORITHM STATUS	WSMCHLRE	
Commanded State	SERVICE	CONTROL ALGORITHM STATUS	WSMCHLRE	
Common Sensor Option	SERVICE	EQUIPMENT SERVICE	LEADLAG	X

## APPENDIX A — ICVC PARAMETER INDEX (cont)

PARAMETER	MENU SOFTKEY	TABLE	SCREEN NAME	CONFIGURABLE
Comp Discharge Alert	SERVICE	CONTROL ALGORITHM STATUS	OVERRIDE	
Comp Discharge Alert	SERVICE	EQUIPMENT SERVICE	SETUP1	X
Comp Discharge Temp	STATUS		COMPRESS	
Comp Discharge Temp	SERVICE	CONTROL ALGORITHM STATUS	OVERRIDE	
Comp Discharge Temp	SERVICE	CONTROL TEST	THERMISTORS	
Comp Maximum Speed	STATUS		COMPRESS	
Comp Maximum Speed	STATUS		POWER	
Comp Maximum Speed	STATUS		STARTUP	
Comp Maximum Speed	SERVICE	CONTROL ALGORITHM STATUS	CAPACITY	
Comp Minimum Speed	SERVICE	CONTROL ALGORITHM STATUS	CAPACITY	
Comp Minimum Speed	STATUS		COMPRESS	
Comp Minimum Speed	STATUS		POWER	
Comp Minimum Speed	STATUS		STARTUP	
Comp Motor Frequency	STATUS		POWER	
Comp Motor Frequency	SERVICE	CONTROL ALGORITHM STATUS	CAPACITY	
Comp Motor Frequency	STATUS		COMPRESS	
Comp Motor Frequency	STATUS		STARTUP	
Comp Motor Frequency (At Last Fault)	SERVICE	CONTROL ALGORITHM STATUS	VFD_HIST	
Comp Motor RPM	SERVICE	CONTROL ALGORITHM STATUS	CAPACITY	
Comp Motor RPM	STATUS		COMPRESS	
Comp Motor RPM	STATUS		POWER	
Comp Motor RPM	STATUS		STARTUP	
Comp Motor RPM (At Last Fault)	SERVICE	CONTROL ALGORITHM STATUS	VFD_HIST	
Comp Motor Temp Override	SERVICE	CONTROL ALGORITHM STATUS	OVERRIDE	
Comp Motor Temp Override	SERVICE	EQUIPMENT SERVICE	SETUP1	X
Comp Motor Winding Temp	STATUS		COMPRESS	
Comp Motor Winding Temp	SERVICE	CONTROL ALGORITHM STATUS	OVERRIDE	
Comp Motor Winding Temp	SERVICE	CONTROL TEST	THERMISTORS	
Compressor 100% Speed	SERVICE	VFD CONFIG DATA	VFD_CONF	X
Compressor Ontime			DEFAULT SCREEN	
Compressor Ontime	STATUS		MAINSTAT	X
Cond Approach Alert	SERVICE	EQUIPMENT SERVICE	SETUP1	X
Cond Flow Delta P Cutout	SERVICE	EQUIPMENT SERVICE	SETUP1	X
Cond Press Override	SERVICE	CONTROL ALGORITHM STATUS	OVERRIDE	
Cond Press Override	SERVICE	EQUIPMENT SERVICE	SETUP1	X
Condenser Approach	STATUS		HEAT_EX	
Condenser Freeze Point	SERVICE	EQUIPMENT SERVICE	SETUP1	X
Condenser High Pressure	STATUS		VFD_STAT	
Condenser Liquid Delta P	STATUS		HEAT_EX	X
Condenser Liquid Delta P	SERVICE	CONTROL TEST	PRESSURE TRANSDUCERS	
Condenser Liquid Delta P	SERVICE	CONTROL TEST	PUMPS	
Condenser Liquid Flow	SERVICE	CONTROL TEST	PUMPS	
Condenser Liquid Flow	STATUS		STARTUP	
Condenser Liquid Pump	SERVICE	CONTROL TEST	PUMPS	
Condenser Liquid Pump	STATUS		STARTUP	X
Condenser Pressure	STATUS		HEAT_EX	X
Condenser Pressure	SERVICE	CONTROL ALGORITHM STATUS	OVERRIDE	X
Condenser Pressure	SERVICE	CONTROL TEST	PRESSURE TRANSDUCERS	
Condenser Refrig Temp	STATUS		HEAT_EX	
Condenser Refrig Temp	SERVICE	CONTROL ALGORITHM STATUS	OVERRIDE	
Condenser Temperature			DEFAULT SCREEN	
CONSM01E	SERVICE	EQUIPMENT CONFIGURATION	CONSM01E	X
Control Mode	STATUS		MAINSTAT	
Control Point	STATUS		MAINSTAT	X
Control Point Error (Capacity Control)	SERVICE	CONTROL ALGORITHM STATUS	CAPACITY	
Control Point Source	SETPOINT		SETPOINT	
Control Point Source	SERVICE	EQUIPMENT SERVICE	TEMP_CTL	
Control Point (Capacity Control)	SERVICE	CONTROL ALGORITHM STATUS	CAPACITY	
CONTROL TEST	SERVICE			
Current CHW Setpoint	SERVICE	CONTROL ALGORITHM STATUS	WSMCHLRE	
Current Date	SERVICE		TIME AND DATE	X
Current Mode (Lead/Lag)	SERVICE	CONTROL ALGORITHM STATUS	LL_MAINT	
Current Time	SERVICE		TIME AND DATE	X

## APPENDIX A — ICVC PARAMETER INDEX (cont)

PARAMETER	MENU SOFTKEY	TABLE	SCREEN NAME	CONFIGURABLE
Date	SERVICE		TIME AND DATE	X
Day of Week	SERVICE		TIME AND DATE	X
Daylight Savings	SERVICE	EQUIPMENT CONFIGURATION	BRODEF	
DC Bus Voltage	STATUS		POWER	
DC Bus Voltage Reference	STATUS		POWER	
DC Bus Voltage Reference (At Last Fault)	SERVICE	CONTROL ALGORITHM STATUS	VFD_HIST	
DC Bus Voltage (At Last Fault)	SERVICE	CONTROL ALGORITHM STATUS	VFD_HIST	
Decrease Ramp Time	SERVICE	VFD CONFIG DATA	VFD_CONF	X
Degrees Reset at 20 mA (Temperature Reset Type 1)	SERVICE	EQUIPMENT SERVICE	TEMP_CTL	X
Degrees Reset (Temperature Reset Type 2)	SERVICE	EQUIPMENT SERVICE	TEMP_CTL	X
Degrees Reset (Temperature Reset Type 3)	SERVICE	EQUIPMENT SERVICE	TEMP_CTL	X
Delta P at 0% (4 mA) (Head Pressure Reference)	SERVICE	EQUIPMENT SERVICE	OPTIONS	X
Delta P at 100% (20 mA) (Head Pressure Reference)	SERVICE	EQUIPMENT SERVICE	OPTIONS	X
Demand Kilowatts	STATUS		POWER	
Demand Limit and KW Ramp	SERVICE	EQUIPMENT SERVICE	RAMP_DEM	
Demand Limit At 20 mA (Demand Limit & KW Ramp)	SERVICE	EQUIPMENT SERVICE	RAMP_DEM	X
Demand Limit Decrease (Loadshed Function)	SERVICE	EQUIPMENT CONFIGURATION	NET_OPT	X
Demand Limit Inhibit	SERVICE	CONTROL ALGORITHM STATUS	CAPACITY	
Demand Limit Prop Band (Demand Limit & KW Ramp)	SERVICE	EQUIPMENT SERVICE	RAMP_DEM	X
Demand Limit Source (Demand Limit & KW Ramp)	SERVICE	EQUIPMENT SERVICE	RAMP_DEM	X
Demand Watts Interval	SERVICE	EQUIPMENT SERVICE	RAMP_DEM	X
Disable Service Password	STATUS		ICVC_PWD	X
Discharge Pressure	SERVICE	CONTROL TEST	PRESSURE TRANSDUCERS	
Discharge Superheat	STATUS		COMPRESS	
Discharge Superheat	SERVICE	CONTROL ALGORITHM STATUS	OVERRIDE	
Discrete Outputs Control Test	SERVICE		CONTROL TEST	
ECL Control Option (Control Point)	SERVICE	EQUIPMENT SERVICE	TEMP_CTL	X
ECL Delta T (Capacity Control)	SERVICE	CONTROL ALGORITHM STATUS	CAPACITY	
ECL Reset (Capacity Control)	SERVICE	CONTROL ALGORITHM STATUS	CAPACITY	
ECL Setpoint (Base Demand Limit Control Point)	SETPOINT		SETPOINT	X
Emergency Stop	STATUS		MAINSTAT	
Enable Reset Type (Temperature Reset)	SERVICE	EQUIPMENT SERVICE	TEMP_CTL	X
Entering Chilled Liquid	SERVICE	CONTROL ALGORITHM STATUS	CAPACITY	
Entering Chilled Liquid			DEFAULT SCREEN	
Entering Chilled Liquid	STATUS		HEAT_EX	
Entering Chilled Liquid	SERVICE	CONTROL TEST	THERMISTORS	
Entering Cond Liquid	STATUS		HEAT_EX	
Entering Cond Liquid	SERVICE	CONTROL TEST	THERMISTORS	
Entering Cond Liquid			DEFAULT SCREEN	
Equipment Status	SERVICE	CONTROL ALGORITHM STATUS	WSMCHLRE	
Evap Approach Alert	SERVICE	EQUIPMENT SERVICE	SETUP1	X
Evap Flow Delta P Cutout	SERVICE	EQUIPMENT SERVICE	SETUP1	X
Evap Refrig Liquid Temp	STATUS		HEAT_EX	
Evap Refrig Liquid Temp	SERVICE	CONTROL TEST	THERMISTORS	
Evap Refrig Trippoint	SERVICE	EQUIPMENT SERVICE	SETUP1	X
Evap Sat Override Temp	SERVICE	CONTROL ALGORITHM STATUS	OVERRIDE	
Evaporator Approach	STATUS		HEAT_EX	
Evaporator Pressure	STATUS		HEAT_EX	X
Evaporator Pressure	SERVICE	CONTROL TEST	PRESSURE TRANSDUCERS	
Evaporator Temperature			DEFAULT SCREEN	
Flow Delta P Display	SERVICE	EQUIPMENT SERVICE	SETUP1	X
Flux Current	STATUS		POWER	
Flux Current (At Last Fault)	SERVICE	CONTROL ALGORITHM STATUS	VFD_HIST	
Frequency Fault	STATUS		VFD_STAT	
Full Load Point (T2,P2)(Hot Gas Bypass)	SERVICE	EQUIPMENT SERVICE	OPTIONS	
Ground Fault	STATUS		VFD_STAT	
Ground Fault Current	STATUS		POWER	
Ground Fault Current (At Last Fault)	SERVICE	CONTROL ALGORITHM STATUS	VFD_HIST	
Group Number (Loadshed Function)	SERVICE	EQUIPMENT CONFIGURATION	NET_OPT	X



## APPENDIX A — ICVC PARAMETER INDEX (cont)

PARAMETER	MENU SOFTKEY	TABLE	SCREEN NAME	CONFIGURABLE
Head Pressure Output Control Test	SERVICE		CONTROL TEST	X
Head Pressure Reference	SERVICE	CONTROL TEST	HEAD PRESSURE OUTPUT	
Head Pressure Reference	STATUS		HEAT_EX	
Head Pressure Reference	SERVICE	EQUIPMENT SERVICE	OPTIONS	
HGBP Deadband	SERVICE	EQUIPMENT SERVICE	OPTIONS	X
HGBP Delta P1 (Min Load Point)	SERVICE	EQUIPMENT SERVICE	OPTIONS	X
HGBP Delta P2(Full Load Point)	SERVICE	EQUIPMENT SERVICE	OPTIONS	X
HGBP Delta T	STATUS		HEAT_EX	
HGBP Delta T1 (Min Load Point)	SERVICE	EQUIPMENT SERVICE	OPTIONS	X
HGBP Delta T2(Full Load Point)	SERVICE	EQUIPMENT SERVICE	OPTIONS	X
HGBP On Delta T	SERVICE	EQUIPMENT SERVICE	OPTIONS	X
HGBP Off Delta T	SERVICE	EQUIPMENT SERVICE	OPTIONS	X
High DC Bus Voltage	STATUS		VFD_STAT	
High Line Voltage	STATUS		VFD_STAT	
Holiday	SERVICE		TIME AND DATE	X
HOLIDAYS	SERVICE	EQUIPMENT CONFIGURATION	HOLIDAYS	X
Hot Gas Bypass	SERVICE	EQUIPMENT SERVICE	OPTIONS	
HGBP Option	SERVICE	EQUIPMENT SERVICE	OPTIONS	
Hot Gas Bypass Relay	STATUS		HEAT_EX	
Hot Gas Bypass Relay Test	SERVICE	CONTROL TEST	DISCRETE OUTPUTS	X
Humidity Sensor Input	STATUS		POWER	
Humidity Sensor Input	SERVICE	CONTROL TEST	PRESSURE TRANSDUCERS	
Ice Build Contact	STATUS		MAINSTAT	
Ice Build Control	SERVICE	EQUIPMENT SERVICE	OPTIONS	
Ice Build Option (Ice Build Control)	SERVICE	EQUIPMENT SERVICE	OPTIONS	X
Ice Build Recycle	SERVICE	EQUIPMENT SERVICE	OPTIONS	X
Ice Build Setpoint	SETPOINT		SETPOINT	X
Ice Build Termination	SERVICE	EQUIPMENT SERVICE	OPTIONS	X
Ice Build Time Schedule	SCHEDULE		OCCP02S	X
Ice Build Time Schedule(OCCPC02S)	SERVICE	EQUIPMENT CONFIGURATION	OCCDEFCS	X
ICVC Address #	SERVICE		ICVC CONFIGURATION	X
ICVC Baud Rate	SERVICE		ICVC CONFIGURATION	X
ICVC Bus #	SERVICE		ICVC CONFIGURATION	X
ICVC CONFIGURATION	SERVICE			
ICVC LID Language	SERVICE		ICVC CONFIGURATION	X
ICVC Model #	SERVICE		ICVC CONFIGURATION	
ICVC Reference #	SERVICE		ICVC CONFIGURATION	
ICVC Serial #	SERVICE		ICVC CONFIGURATION	
ICVC Software Part #	SERVICE		ICVC CONFIGURATION	
ICVC US IMP/Metric	SERVICE		ICVC CONFIGURATION	
Increase Ramp Time	SERVICE	VFD CONFIG DATA	VFD_CONF	X
Inverter Overcurrent	STATUS		VFD_STAT	
Inverter Overload	STATUS		POWER	
Inverter Overtemp	STATUS		VFD_STAT	
Inverter Power Fault	STATUS		VFD_STAT	
Inverter PWM Frequency	SERVICE	VFD CONFIG DATA	VFD_CONF	X
Inverter Temp Override	SERVICE	CONTROL ALGORITHM STATUS	OVERRIDE	
Inverter Temp Override	SERVICE	EQUIPMENT SERVICE	SETUP1	X
Inverter Temperature	SERVICE	CONTROL ALGORITHM STATUS	OVERRIDE	
Inverter Temperature	STATUS		POWER	
Inverter Temperature (At Last Fault)	SERVICE	CONTROL ALGORITHM STATUS	VFD_HIST	
LAG % Capacity	SERVICE	EQUIPMENT SERVICE	LEADLAG	X
LAG Address	SERVICE	EQUIPMENT SERVICE	LEADLAG	X
LAG CHILLER: Mode	SERVICE	CONTROL ALGORITHM STATUS	LL_MAINT	
LAG START Time	SERVICE	CONTROL ALGORITHM STATUS	LL_MAINT	
LAG START Timer	SERVICE	EQUIPMENT SERVICE	LEADLAG	X
LAG STOP Time	SERVICE	CONTROL ALGORITHM STATUS	LL_MAINT	
LAG STOP Timer	SERVICE	EQUIPMENT SERVICE	LEADLAG	X
LCL Reset (Capacity Control)	SERVICE	CONTROL ALGORITHM STATUS	CAPACITY	
LCL Setpoint (Base Demand Limit Control Point)	SETPOINT		SETPOINT	X
LEAD CHILLER in Control	SERVICE	CONTROL ALGORITHM STATUS	LL_MAINT	
Lead Lag Control	SERVICE	EQUIPMENT SERVICE	LEADLAG	
Lead Lag Control	SERVICE	CONTROL ALGORITHM STATUS	LL_MAINT	
LEAD/LAG: Configuration	SERVICE	EQUIPMENT SERVICE	LEADLAG	X
LEAD/LAG: Configuration	SERVICE	CONTROL ALGORITHM STATUS	LL_MAINT	

## APPENDIX A — ICVC PARAMETER INDEX (cont)

PARAMETER	MENU SOFTKEY	TABLE	SCREEN NAME	CONFIGURABLE
Leaving Chilled Liquid	SERVICE	CONTROL ALGORITHM STATUS	CAPACITY	
Leaving Chilled Liquid			DEFAULT SCREEN	
Leaving Chilled Liquid	STATUS		HEAT_EX	
Leaving Chilled Liquid	SERVICE	CONTROL TEST	THERMISTORS	
Leaving Cond Liquid	STATUS		HEAT_EX	
Leaving Cond Liquid	SERVICE	CONTROL TEST	THERMISTORS	
Leaving Cond Liquid			DEFAULT SCREEN	
LID Language	SERVICE		ICVC CONFIGURATION	X
Line Active Current	STATUS		POWER	
Line Active Current (At Last Fault)	SERVICE	CONTROL ALGORITHM STATUS	VFD_HIST	
Line Active Voltage	STATUS		POWER	
Line Active Voltage (At Last Fault)	SERVICE	CONTROL ALGORITHM STATUS	VFD_HIST	
Line Current % Imbalance	SERVICE	VFD CONFIG DATA	VFD_CONF	X
Line Current Imbal Time	SERVICE	VFD CONFIG DATA	VFD_CONF	X
Line Current Imbalance	STATUS		POWER	
Line Current Imbalance	STATUS		VFD_STAT	
Line Current Imbalance (At Last Fault)	SERVICE	CONTROL ALGORITHM STATUS	VFD_HIST	
Line Current Ph 1(R)	STATUS		POWER	
Line Current Ph 1(R)(At Last Fault)	SERVICE	CONTROL ALGORITHM STATUS	VFD_HIST	
Line Current Ph 2(S)	STATUS		POWER	
Line Current Ph 2(S)(At Last Fault)	SERVICE	CONTROL ALGORITHM STATUS	VFD_HIST	
Line Current Ph 3(T)	STATUS		POWER	
Line Current Ph 3(T)(At Last Fault)	SERVICE	CONTROL ALGORITHM STATUS	VFD_HIST	
Line Frequency	STATUS		POWER	
Line Frequency (At Last Fault)	SERVICE	CONTROL ALGORITHM STATUS	VFD_HIST	
Line Kilowatts	STATUS		POWER	
Line Phase Reversal	STATUS		VFD_STAT	
Line Power Factor	STATUS		POWER	
Line Power Factor (At Last Fault)	SERVICE	CONTROL ALGORITHM STATUS	VFD_HIST	
Line Reactive Current	STATUS		POWER	
Line Reactive Current (At Last Fault)	SERVICE	CONTROL ALGORITHM STATUS	VFD_HIST	
Line Reactive Voltage	STATUS		POWER	
Line Reactive Voltage (At last Fault)	SERVICE	CONTROL ALGORITHM STATUS	VFD_HIST	
Line Volt Imbalance Time	SERVICE	VFD CONFIG DATA	VFD_CONF	X
Line Voltage % Imbalance	SERVICE	VFD CONFIG DATA	VFD_CONF	X
Line Voltage Imbalance	STATUS		POWER	
Line Voltage Imbalance	STATUS		VFD_STAT	
Line Voltage Imbalance (At Last Fault)	SERVICE	CONTROL ALGORITHM STATUS	VFD_HIST	
Line Voltage Ph 1(RS)	STATUS		POWER	
Line Voltage Ph 1(RS)(At Last Fault)	SERVICE	CONTROL ALGORITHM STATUS	VFD_HIST	
Line Voltage Ph 2(ST)	STATUS		POWER	
Line Voltage Ph 2(ST)(At Last Fault)	SERVICE	CONTROL ALGORITHM STATUS	VFD_HIST	
Line Voltage Ph 3(TR)	STATUS		POWER	
Line Voltage Ph 3(TR)(at Last Fault)	SERVICE	CONTROL ALGORITHM STATUS	VFD_HIST	
Liquid Flow Verify Time	SERVICE	EQUIPMENT SERVICE	SETUP1	X
Load Balance Option	SERVICE	EQUIPMENT SERVICE	LEADLAG	X
Load Balance Option	SERVICE	CONTROL ALGORITHM STATUS	LL_MAINT	
Load Current Ph 1(U)	STATUS		POWER	
Load Current Ph 1(U)(At Last Fault)	SERVICE	CONTROL ALGORITHM STATUS	VFD_HIST	
Load Current Ph 2(V)	STATUS		POWER	
Load Current Ph 2(V)(At Last Fault)	SERVICE	CONTROL ALGORITHM STATUS	VFD_HIST	
Load Current Ph 3(W)	STATUS		POWER	
Load Current Ph 3(W)(At Last Fault)	SERVICE	CONTROL ALGORITHM STATUS	VFD_HIST	
Loadshed	SERVICE	CONTROL ALGORITHM STATUS	LOADSHED	
Loadshed Function	SERVICE	CONTROL ALGORITHM STATUS	LOADSHED	
Loadshed Function	SERVICE	EQUIPMENT CONFIGURATION	NET_OPT	
Loadshed Timer	SERVICE	CONTROL ALGORITHM STATUS	LOADSHED	
LOCAL			DEFAULT SCREEN	X
Local Network Device	SERVICE		ATTACH TO NETWORK DEVICE	X
Local Time Schedule	SCHEDULE		OCCP01S	X
Local Time Schedule(OCCPC01S)	SERVICE	EQUIPMENT CONFIGURATION	OCCDEFCS	X
LOG OUT OF DEVICE	SERVICE			
Low DC Bus Voltage	STATUS		VFD_STAT	
Low Line Voltage	STATUS		VFD_STAT	

## APPENDIX A — ICVC PARAMETER INDEX (cont)

PARAMETER	MENU SOFTKEY	TABLE	SCREEN NAME	CONFIGURABLE
Maximum Loadshed Time	SERVICE	EQUIPMENT CONFIGURATION	NET_OPT	X
Min. Load Point (T1,P1)(Hot Gas ByPass)	SERVICE	EQUIPMENT SERVICE	OPTIONS	
Minimum Output (Head Pressure Reference)	SERVICE	EQUIPMENT SERVICE	OPTIONS	X
Model #	SERVICE		ICVC CONFIGURATION	
Motor Amps Not Sensed	STATUS		VFD_STAT	
Motor Current Imbal Time	SERVICE	VFD CONFIG DATA	VFD_CONF	X
Motor Current Imbalance	STATUS		POWER	
Motor Current Imbalance	STATUS		VFD_STAT	
Motor Current Imbalance (At Last Fault)	SERVICE	CONTROL ALGORITHM STATUS	VFD_HIST	
Motor Current% Imbalance	SERVICE	VFD CONFIG DATA	VFD_CONF	X
Motor Kilowatt Hours	STATUS		POWER	
Motor Kilowatts	STATUS		POWER	
Motor Nameplate Amps	SERVICE	VFD CONFIG DATA	VFD_CONF	X
Motor Nameplate KW	SERVICE	VFD CONFIG DATA	VFD_CONF	X
Motor Nameplate RPM	SERVICE	VFD CONFIG DATA	VFD_CONF	X
Motor Nameplate Voltage	SERVICE	VFD CONFIG DATA	VFD_CONF	X
Motor Overload	STATUS		POWER	
Motor Overload	STATUS		VFD_STAT	
Motor Overload (At Last Fault)	SERVICE	CONTROL ALGORITHM STATUS	VFD_HIST	
Motor Power Factor	STATUS		POWER	
Motor Power Factor (At Last Fault)	SERVICE	CONTROL ALGORITHM STATUS	VFD_HIST	
Motor Rated Load Amps	SERVICE	VFD CONFIG DATA	VFD_CONF	X
Motor Rated Load KW	SERVICE	VFD CONFIG DATA	VFD_CONF	X
OCCP01S (Local Time Schedule)	SCHEDULE		OCCP01S	X
OCCP02S (Ice Build Time Schedule)	SCHEDULE		OCCP02S	X
OCCP03S (CCN Time Schedule)	SCHEDULE		OCCP03S	X
OCCPC01S(Local Time Schedule)	SERVICE	EQUIPMENT CONFIGURATION	OCCDEFCS	X
OCCPC02S(Ice Build Time Schedule)	SERVICE	EQUIPMENT CONFIGURATION	OCCDEFCS	X
OCCPC03S(CCN Time Schedule)	SERVICE	EQUIPMENT CONFIGURATION	OCCDEFCS	X
Occupied?	STATUS		MAINSTAT	
Oil Heater Relay	STATUS		COMPRESS	
Oil Heater Relay Test	SERVICE	CONTROL TEST	DISCRETE OUTPUTS	X
Oil Press Verify Time	SERVICE	EQUIPMENT SERVICE	SETUP1	X
Oil Pressure Acceptable?	SERVICE	CONTROL TEST	PUMPS	
Oil Pressure Delta P	STATUS		COMPRESS	X
Oil Pressure Delta P			DEFAULT SCREEN	
Oil Pressure Delta P	SERVICE	CONTROL TEST	PRESSURE TRANSDUCERS	
Oil Pressure Delta P	SERVICE	CONTROL TEST	PUMPS	
Oil Pressure Delta P	STATUS		STARTUP	X
Oil Pump Relay	STATUS		COMPRESS	
Oil Pump Relay	SERVICE	CONTROL TEST	PUMPS	
Oil Pump Relay	STATUS		STARTUP	
Oil Reclaim Output	STATUS		HEAT_EX	
Oil Reclaim Output	STATUS		STARTUP	
Oil Reclaim Output Test	SERVICE	CONTROL TEST	OIL RECLAIM OUTPUT	X
Oil Sump Temp	STATUS		COMPRESS	
Oil Sump Temp			DEFAULT SCREEN	
Oil Sump Temp	STATUS		STARTUP	
Oil Sump Temp	SERVICE	CONTROL TEST	THERMISTORS	
Password (SERVICE)	SERVICE		ICVC CONFIGURATION	X
Password (VFD CONFIG DATA)	SERVICE		VFD CONFIG DATA	X
Percent Line Current			DEFAULT SCREEN	
Percent Line Current	STATUS		MAINSTAT	
Percent Line Current	STATUS		POWER	
Percent Line Kilowatts	STATUS		MAINSTAT	
Percent Line Kilowatts	STATUS		POWER	
Percent Line Voltage	STATUS		POWER	
Percent Load Current	STATUS		POWER	
Percent Motor Kilowatts	STATUS		POWER	
PPM at 20 mA (Refrigerant Leak Option)	SERVICE	EQUIPMENT SERVICE	OPTIONS	X
Pressure Transducers Control Test	SERVICE		CONTROL TEST	
PRESTART FAULT Time	SERVICE	CONTROL ALGORITHM STATUS	LL_MAINT	
PRESTART FAULT Timer	SERVICE	EQUIPMENT SERVICE	LEADLAG	X
PRIMARY MESSAGE			DEFAULT SCREEN	

## APPENDIX A — ICVC PARAMETER INDEX (cont)

PARAMETER	MENU SOFTKEY	TABLE	SCREEN NAME	CONFIGURABLE
Proportional Dec Band (Capacity Control)	SERVICE	EQUIPMENT SERVICE	SETUP2	X
Proportional ECL Gain (Capacity Control)	SERVICE	EQUIPMENT SERVICE	SETUP2	X
Proportional Inc Band (Capacity Control)	SERVICE	EQUIPMENT SERVICE	SETUP2	X
Pulldown Ramp Type:	SERVICE	EQUIPMENT SERVICE	RAMP_DEM	X
PULLDOWN Time	SERVICE	CONTROL ALGORITHM STATUS	LL_MAINT	X
PULLDOWN Timer	SERVICE	EQUIPMENT SERVICE	LEADLAG	X
Pulldown: Delta T / Min	SERVICE	CONTROL ALGORITHM STATUS	LL_MAINT	
Pumpdown/Lockout Control Test	SERVICE		CONTROL TEST	X
Pumpdown/Lockout Control Test	SERVICE	CONTROL TEST	Pumpdown/Lockout	
Pumps Control Test	SERVICE		CONTROL TEST	
Rated Line Amps	SERVICE	VFD CONFIG DATA	VFD_CONF	X
Rated Line Kilowatts	SERVICE	VFD CONFIG DATA	VFD_CONF	X
Rated Line Voltage	SERVICE	VFD CONFIG DATA	VFD_CONF	X
Re-alarm Time (Alarm Configuration)	SERVICE	EQUIPMENT CONFIGURATION	NET_OPT	X
Reclaim Delta T	STATUS		HEAT_EX	
Recovery Start Request (Lag Chiller)	SERVICE	CONTROL ALGORITHM STATUS	LL_MAINT	
Recovery Start Request (Standby Chiller)	SERVICE	CONTROL ALGORITHM STATUS	LL_MAINT	
Rectifier Overcurrent	STATUS		VFD_STAT	
Rectifier Overload	STATUS		POWER	
Rectifier Overtemp	STATUS		VFD_STAT	
Rectifier Power Fault	STATUS		VFD_STAT	
Rectifier Temp Override	SERVICE	CONTROL ALGORITHM STATUS	OVERRIDE	
Rectifier Temp Override	SERVICE	EQUIPMENT SERVICE	SETUP1	X
Rectifier Temperature	SERVICE	CONTROL ALGORITHM STATUS	OVERRIDE	
Rectifier Temperature	STATUS		POWER	
Rectifier Temperature (At Last Fault)	SERVICE	CONTROL ALGORITHM STATUS	VFD_HIST	
Recycle Control	SERVICE	EQUIPMENT SERVICE	SETUP1	
Redline (Loadshed Function)	SERVICE	CONTROL ALGORITHM STATUS	LOADSHED	
Reference #	SERVICE		ICVC CONFIGURATION	
Refrig Leak Alarm PPM (Refrigerant Leak Option)	SERVICE	EQUIPMENT SERVICE	OPTIONS	X
Refrig Leak Sensor PPM	STATUS		MAINSTAT	
Refrig Override Delta T	SERVICE	EQUIPMENT SERVICE	SETUP1	X
Refrigerant Leak Option	SERVICE	EQUIPMENT SERVICE	OPTIONS	X
Relative Humidity	STATUS		POWER	
Relative Humidity	SERVICE	CONTROL TEST	PRESSURE TRANSDUCERS	
Remote Contacts Option	SERVICE	EQUIPMENT SERVICE	OPTIONS	
Remote Reset Option	STATUS		ICVC_PWD	X
Remote Reset Sensor	STATUS		MAINSTAT	
Remote Reset Sensor	SERVICE	CONTROL TEST	THERMISTORS	
Remote Start Contact	STATUS		MAINSTAT	X
Remote Temp->Full Reset (Temperature Reset Type 2)	SERVICE	EQUIPMENT SERVICE	TEMP_CTL	X
Remote Temp->No Reset (Temperature Reset Type 2)	SERVICE	EQUIPMENT SERVICE	TEMP_CTL	X
RESET			DEFAULT SCREEN	X
Reset Alarm ?	STATUS		ICVC_PWD	X
RESET TYPE 1(Temperature Reset)	SERVICE	EQUIPMENT SERVICE	TEMP_CTL	
RESET TYPE 2(Temperature Reset)	SERVICE	EQUIPMENT SERVICE	TEMP_CTL	
RESET TYPE 3(Temperature Reset)	SERVICE	EQUIPMENT SERVICE	TEMP_CTL	
Restart Delta T (Recycle Control)	SERVICE	EQUIPMENT SERVICE	SETUP1	X
Run Status	STATUS		MAINSTAT	
Run Status (Lag Chiller)	SERVICE	CONTROL ALGORITHM STATUS	LL_MAINT	
Run Status (Standby Chiller)	SERVICE	CONTROL ALGORITHM STATUS	LL_MAINT	
RUNTM01E	SERVICE	EQUIPMENT CONFIGURATION	RUNTM01E	X
Satisfied? (Pulldown)	SERVICE	CONTROL ALGORITHM STATUS	LL_MAINT	
Schedule Number (CCN Occupancy Config)	SERVICE	EQUIPMENT CONFIGURATION	NET_OPT	X
SECONDARY MESSAGE			DEFAULT SCREEN	
Serial #	SERVICE		ICVC CONFIGURATION	
Service Ontime	STATUS		MAINSTAT	X
SERVICE Password	SERVICE		ICVC CONFIGURATION	X
Setpoint - ECL (Base Demand Limit Control Point)	SETPOINT		SETPOINT	X
Setpoint - LCL (Base Demand Limit Control Point)	SETPOINT		SETPOINT	X
Shunt Trip Relay	STATUS		STARTUP	
Shunt Trip Relay Test	SERVICE	CONTROL TEST	DISCRETE OUTPUTS	X
Shutdown Delta T (Recycle Control)	SERVICE	EQUIPMENT SERVICE	SETUP1	X

## APPENDIX A — ICVC PARAMETER INDEX (cont)

PARAMETER	MENU SOFTKEY	TABLE	SCREEN NAME	CONFIGURABLE
Single Cycle Dropout	SERVICE	VFD CONFIG DATA	VFD_CONF	X
Single Cycle Dropout	STATUS		VFD_STAT	
Skip Frequency 1	SERVICE	VFD CONFIG DATA	VFD_CONF	X
Skip Frequency 2	SERVICE	VFD CONFIG DATA	VFD_CONF	X
Skip Frequency 3	SERVICE	VFD CONFIG DATA	VFD_CONF	X
Skip Frequency Band	SERVICE	VFD CONFIG DATA	VFD_CONF	X
Soft Stop Amps Threshold	SERVICE	EQUIPMENT SERVICE	OPTIONS	
Software Part #	SERVICE		ICVC CONFIGURATION	
Spare Alert/Alarm Enable	SERVICE	EQUIPMENT SERVICE	SETUP1	
Spare Safety Input	STATUS		STARTUP	
Spare Temp #1 Enable (Spare Alert/Alarm Enable)	SERVICE	EQUIPMENT SERVICE	SETUP1	X
Spare Temp #1 Limit (Spare Alert/Alarm Enable)	SERVICE	EQUIPMENT SERVICE	SETUP1	X
Spare Temp #2 Enable (Spare Alert/Alarm Enable)	SERVICE	EQUIPMENT SERVICE	SETUP1	X
Spare Temp #2 Limit (Spare Alert/Alarm Enable)	SERVICE	EQUIPMENT SERVICE	SETUP1	X
Spare Temperature 1	STATUS		COMPRESS	
Spare Temperature 1	SERVICE	CONTROL ALGORITHM STATUS	LL_MAINT	
Spare Temperature 1	SERVICE	CONTROL TEST	THERMISTORS	
Spare Temperature 2	STATUS		COMPRESS	
Spare Temperature 2	SERVICE	CONTROL ALGORITHM STATUS	LL_MAINT	
Spare Temperature 2	SERVICE	CONTROL TEST	THERMISTORS	
Stall Delta % Amps (Stall Protection)	SERVICE	EQUIPMENT SERVICE	OPTIONS	X
Stall Protection	SERVICE	EQUIPMENT SERVICE	OPTIONS	
Stall Protection Counts	STATUS		COMPRESS	
Stall Time Period (Stall Protection)	SERVICE	EQUIPMENT SERVICE	OPTIONS	X
STANDBY % Capacity	SERVICE	EQUIPMENT SERVICE	LEADLAG	X
STANDBY Address	SERVICE	EQUIPMENT SERVICE	LEADLAG	X
STANDBY Chiller Option	SERVICE	EQUIPMENT SERVICE	LEADLAG	X
STANDBY CHILLER: Mode	SERVICE	CONTROL ALGORITHM STATUS	LL_MAINT	
Start Acceleration Fault	STATUS		VFD_STAT	
Start Advance (Daylight Savings)	SERVICE	EQUIPMENT CONFIGURATION	BRODEF	X
Start Complete	STATUS		STARTUP	
Start Complete	STATUS		VFD_STAT	
Start Day of Week (Daylight Savings)	SERVICE	EQUIPMENT CONFIGURATION	BRODEF	X
Start Inhibit Timer	STATUS		MAINSTAT	
Start Month (Daylight Savings)	SERVICE	EQUIPMENT CONFIGURATION	BRODEF	X
Start Time (Daylight Savings)	SERVICE	EQUIPMENT CONFIGURATION	BRODEF	X
Start Week (Daylight Savings)	SERVICE	EQUIPMENT CONFIGURATION	BRODEF	X
Start/Stop (Lag Chiller)	SERVICE	CONTROL ALGORITHM STATUS	LL_MAINT	
Start/Stop (Standby Chiller)	SERVICE	CONTROL ALGORITHM STATUS	LL_MAINT	
Starts in 12 Hours	STATUS		MAINSTAT	
Stop Back (Daylight Savings)	SERVICE	EQUIPMENT CONFIGURATION	BRODEF	X
Stop Complete	STATUS		STARTUP	
Stop Complete	STATUS		VFD_STAT	
Stop Day of Week (Daylight Savings)	SERVICE	EQUIPMENT CONFIGURATION	BRODEF	X
Stop Fault	STATUS		VFD_STAT	
Stop Month (Daylight Savings)	SERVICE	EQUIPMENT CONFIGURATION	BRODEF	X
Stop Time (Daylight Savings)	SERVICE	EQUIPMENT CONFIGURATION	BRODEF	X
Stop Week (Daylight Savings)	SERVICE	EQUIPMENT CONFIGURATION	BRODEF	X
System Alert/Alarm	STATUS		MAINSTAT	
Target VFD Speed	SERVICE	CONTROL ALGORITHM STATUS	CAPACITY	X
Target VFD Speed	STATUS		COMPRESS	X
Temp Pulldown Ramp/Min (Control Point)	SERVICE	EQUIPMENT SERVICE	TEMP_CTL	X
Temperature Reset	STATUS		MAINSTAT	
Temperature Reset	SERVICE	EQUIPMENT SERVICE	TEMP_CTL	
Terminate Lockout	SERVICE	EQUIPMENT SERVICE	TERMINATE LOCKOUT	
Thermistors Control Test	SERVICE		CONTROL TEST	
TIME AND DATE	SERVICE		TIME AND DATE	
Time Broadcast Enable	SERVICE	EQUIPMENT CONFIGURATION	BRODEF	
Torque Current	STATUS		POWER	
Torque Current (At Last Fault)	SERVICE	CONTROL ALGORITHM STATUS	VFD_HIST	
Total Compressor Starts	STATUS		MAINSTAT	X
Total Error + Resets (Capacity Control)	SERVICE	CONTROL ALGORITHM STATUS	CAPACITY	

## APPENDIX A — ICVC PARAMETER INDEX (cont)

PARAMETER	MENU SOFTKEY	TABLE	SCREEN NAME	CONFIGURABLE
Tower Fan High Setpoint	SETPOINT		SETPOINT	X
Tower Fan Relay High	STATUS		STARTUP	X
Tower Fan Relay High Test	SERVICE	CONTROL TEST	DISCRETE OUTPUTS	X
Tower Fan Relay Low	STATUS		STARTUP	X
Tower Fan Relay Low Test	SERVICE	CONTROL TEST	DISCRETE OUTPUTS	X
Transducer Voltage Ref	SERVICE	CONTROL TEST	PRESSURE TRANSDUCERS	
US IMP/Metric	SERVICE		ICVC CONFIGURATION	X
Values At Last Fault:	SERVICE	CONTROL ALGORITHM STATUS	VFD_HIST	
Vaporizer Heater	STATUS		COMPRESS	
Vaporizer Heater	STATUS		COMPRESS	
Vaporizer Heater Mode	SERVICE	EQUIPMENT SERVICE	SETUP2	X
Vaporizer Heater Test	SERVICE	CONTROL TEST	DISCRETE OUTPUTS	X
Vaporizer Temp	STATUS		STARTUP	
Vaporizer Temp	STATUS		COMPRESS	
Vaporizer Temp	STATUS		HEAT_EX	
VFD Checksum Error	STATUS		VFD_STAT	
VFD Cold Plate Temp	STATUS		POWER	
VFD Cold Plate Temp (At Last Fault)	SERVICE	CONTROL ALGORITHM STATUS	VFD_HIST	
VFD Comm Fault	STATUS		VFD_STAT	
VFD CONFIG DATA Password	SERVICE		VFD CONFIG DATA	X
VFD Coolant Flow	STATUS		HEAT_EX	
VFD Coolant Flow	STATUS		POWER	
VFD Coolant Solenoid Test	SERVICE	CONTROL TEST	DISCRETE OUTPUTS	X
VFD Delta	STATUS		COMPRESS	
VFD Delta (Capacity Control)	SERVICE	CONTROL ALGORITHM STATUS	CAPACITY	
VFD Enclosure Temp	STATUS		POWER	
VFD Enclosure Temp (At Last Fault)	SERVICE	CONTROL ALGORITHM STATUS	VFD_HIST	
VFD Fault	STATUS		VFD_STAT	
VFD Fault Code	STATUS		VFD_STAT	
VFD Fault Code (At Last Fault)	SERVICE	CONTROL ALGORITHM STATUS	VFD_HIST	
VFD FAULT HISTORY	SERVICE	CONTROL ALGORITHM STATUS	VFD_HIST	
VFD Gain	SERVICE	CONTROL ALGORITHM STATUS	CAPACITY	
VFD Gain (VFD Control)	SERVICE	EQUIPMENT SERVICE	SETUP2	X
VFD Gateway Version #	STATUS		VFD_STAT	
VFD Inverter Version #	STATUS		VFD_STAT	
VFD Maximum Speed (VFD Control)	SERVICE	EQUIPMENT SERVICE	SETUP2	X
VFD Minimum Speed (VFD Control)	SERVICE	EQUIPMENT SERVICE	SETUP2	X
VFD Power On Reset	STATUS		VFD_STAT	
VFD Rectifier Version #	STATUS		VFD_STAT	
VFD Speed Control	SERVICE	EQUIPMENT SERVICE	SETUP2	
VFD Speed Output	SERVICE	CONTROL ALGORITHM STATUS	CAPACITY	
VFD Speed Output	STATUS		COMPRESS	
VFD Speed Output	STATUS		STARTUP	
VFD Start	STATUS		STARTUP	
VFD Start Inhibit	STATUS		VFD_STAT	
WSM Active?	SERVICE	CONTROL ALGORITHM STATUS	WSMCHLRE	

## INDEX

- Abbreviations and explanations 4
- After limited shutdown 67
- Attach to network device control 44
- Automatic soft stop amps threshold 47
- Auto. restart after power failure 40
- Before initial start-up 48-64
- Carrier Comfort Network® Interface 58
- Capacity control 12
- Capacity override 36
- Chilled liquid recycle mode 47
- Chiller control module (CCM) 98
- Chiller dehydration 55
- Chiller familiarization 4-8
- Chiller identification nameplate 4
- Chiller start-up (prepare for) 66
- Chillers with storage tanks 70
- Chiller tightness (check) 49
- Cold weather operation 67
- Compressor bearing maintenance 77
- Compressor minimum speed override 36
- Compressor rotor check 77
- Condenser 8
- Condenser freeze prevention 39
- Condenser pump control 39
- Control algorithms checkout procedure 80
- Control center 8
- Control center (inspect) 73, 77
- Control modules 98
- Controls 12-46
- Controls (definitions) 12
- Control test 61, 81
- Cooler 8
- ICVC operation and menus 15
- ICVC parameter index 118-126
- Default screen freeze 36
- Defective processor modules (replacing) 101
- Demand limit control option 40
- Design set points (input) 59
- Display messages (checking) 79
- Equipment required 48
- Extended shutdown (preparation for) 66
- Extended shutdown (after) 67
- Gateway status LEDs 102
- General controls overview 12
- General maintenance 72, 73
- Ground fault troubleshooting 58
- Head pressure output reference 41
- Heat exchanger tubes (inspect) 77
- High altitude locations 62
- Hot gas bypass (optional) algorithm 40
- Identify the VFD 55
- Initial start-up 64, 65
- Initial start-up (preparation) 64
- Initial start-up checklist for 23XRV  
hermetic screw liquid chiller CL-1 to CL-12
- Input power wiring 57
- Inspect liquid piping 55
- Inspect wiring 57
- Instruct the customer operator 65
- Introduction 4
- Job data required 48
- Lead/lag control 42
- Leak test chiller 49
- Liquid/brine temperature reset 40
- Local occupied schedule (input) 59
- Local start-up 46
- Lubrication cycle 10-12
- Lubrication cycle (details) 10
- Lubrication cycle (summary) 10
- Lubrication system (check) 73
- Module operation (notes) 98
- Motor-compressor 8
- Motor cooling cycle 10
- Motor insulation 77
- Muffler 8
- Oil and oil filter changes 73
- Oil charge 48
- Oil circuit valves (open) 48
- Oil heater 74
- Oil pressure and compressor  
stop (check) 65
- Oil reclaim system 12
- Oil specification 74
- Oil strainers 74
- Oil sump temperature control 36, 38
- Operating instructions 66-68
- Operating the optional pumpout unit 69
- Operator duties 66
- Optional pumpout compressor  
Liquid piping (check) 55
- Optional storage tank and  
pumpout system (using) 48
- Optional pumpout system controls  
and compressor (check) 62
- Optional pumpout system maintenance 78
- Ordering replacement chiller parts 78
- Overview (troubleshooting guide) 78
- Physical data 103
- PIC III system components 12
- PIC III system functions 34
- Preparation (pumpout and  
refrigerant transfer procedures) 69
- Pressure transducers 61, 79
- Prevent accidental start-up 65
- Pumpout and refrigerant  
transfer procedures 69-72
- Ramp loading 36
- Refrigerant (adding) 72
- Refrigerant (adjusting the charge) 72
- Refrigerant charge (trim) 73
- Refrigerant filter/drier 74
- Refrigerant float system (inspect) 75
- Refrigerant into chiller (charge) 63
- Refrigerant leak rate 72
- Refrigerant leak testing 72
- Refrigerant leak detector 39
- Refrigerant properties 72
- Refrigerant (removing) 72
- Refrigerant tracer 49
- Refrigeration cycle 8-10
- Refrigeration log 67
- Relief valves (check) 55
- Relief valves and piping (inspect) 77
- Remote start/stop contacts 38
- Remote reset of alarms 39
- Repair the leak retest  
and apply standing vacuum test 73
- Running system (check) 66
- Safety and operating  
controls (check monthly) 73
- Safety considerations 1
- Safety controls 35
- Safety shutdown 48
- Scheduled maintenance 73-78
- Service configurations (input) 59
- Service ontime 73
- Service operation 45
- Shipping packaging (remove) 48
- Shunt trip 36
- Shutdown sequence 47
- Software configuration 59
- Spare alarm contacts 39
- Spare safety inputs 38
- Start the chiller 66
- Starter (check) 57
- Start-up/shutdown/recycle sequence 46-48
- Stop the chiller 66
- Storage vessel (optional) 8
- System components 4
- Temperature sensors (checking) 79
- Test after service repair or  
major leak 72
- Tighten all gasketed joints 48
- Tower fan relay low and high 39
- Troubleshooting guide 78-117
- Vaporizer temperature control 36
- VFD refrigerant strainers 74
- Water/brine leaks 77
- Water/brine treatment 77
- Weekly maintenance 73







**COMFORT NETWORK**

**INITIAL START-UP CHECKLIST FOR 23XRV HERMETIC SCREW LIQUID CHILLER (Remove and use for job file.)**

**MACHINE INFORMATION:**

NAME \_\_\_\_\_ JOB NO. \_\_\_\_\_  
ADDRESS \_\_\_\_\_ MODEL \_\_\_\_\_  
CITY \_\_\_\_\_ STATE \_\_\_\_\_ ZIP \_\_\_\_\_ S/N \_\_\_\_\_

**DESIGN CONDITIONS**

	TONS (kW)	BRINE	FLOW RATE	TEMPERATURE IN	TEMPERATURE OUT	PRESSURE DROP	PASS	SUCTION TEMPERATURE	CONDENSER TEMPERATURE
COOLER									*****
CONDENSER								*****	

From Chiller Nameplate: Line Voltage \_\_\_\_\_ Rated Line Amps \_\_\_\_\_ Overload Trip Amps \_\_\_\_\_  
From VFD Nameplate: I.D. No.: \_\_\_\_\_ Input Rating \_\_\_\_\_  
VFD Serial Number \_\_\_\_\_  
Mfd in \_\_\_\_\_ on \_\_\_\_\_

REFRIGERANT: Type: \_\_\_\_\_ Charge \_\_\_\_\_

CARRIER OBLIGATIONS: Assemble. . . . . Yes  No   
Leak Test . . . . . Yes  No   
Dehydrate . . . . . Yes  No   
Charging . . . . . Yes  No   
Operating Instructions \_\_\_\_\_ Hrs.

**START-UP TO BE PERFORMED IN ACCORDANCE WITH APPROPRIATE MACHINE START-UP INSTRUCTIONS**

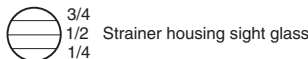
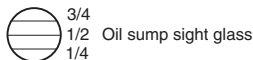
**JOB DATA REQUIRED:**

- 1. Machine Installation Instructions . . . . . Yes  No
- 2. Machine Assembly, Wiring and Piping Diagrams . . . . . Yes  No
- 3. Starting Equipment Details and Wiring Diagrams. . . . . Yes  No
- 4. Applicable Design Data (see above). . . . . Yes  No
- 5. Diagrams and Instructions for Special Controls . . . . . Yes  No

INITIAL MACHINE PRESSURE: \_\_\_\_\_

	YES	NO
Was Machine Tight?		
If Not, Were Leaks Corrected?		
Was Machine Dehydrated After Repairs?		

**CHECK OIL LEVEL AND RECORD:**



ADD OIL: Yes  No   
Amount: \_\_\_\_\_

RECORD PRESSURE DROPS: Cooler \_\_\_\_\_ Condenser \_\_\_\_\_

CHARGE REFRIGERANT: Initial Charge \_\_\_\_\_ Final Charge After Trim \_\_\_\_\_

**INSPECT WIRING AND RECORD ELECTRICAL DATA:**

- Verify 6" clearance surrounding all Control Center louvers Yes  No   
 Visually inspect down through top of power module for debris Yes  No

Line Voltage: \_\_\_\_\_

**FIELD-DISASSEMBLED CHILLERS ONLY:**

Megger Test Motor if the VFD is removed from the chiller.

Check continuity T1 to T1, etc. (Motor to starter, disconnect motor leads T1, T2, T3.) Do not megger VFD; disconnect leads to motor and megger the leads.

MEGGER MOTOR	"PHASE TO PHASE"			"PHASE TO GROUND"		
	T1-T2	T1-T3	T2-T3	T1-G	T2-G	T3-G
10-Second Readings:						
60-Second Readings:						
Polarization Ratio:						

**CONTROLS: SAFETY, OPERATING, ETC.**

- Verify parameters in VFD\_conf screen. Yes  No   
 Perform Controls Test Yes  No

<b>PIC III CAUTION</b>	Yes _____
COMPRESSOR MOTOR AND CONTROL CENTER <b>MUST</b> BE PROPERLY AND INDIVIDUALLY CONNECTED BACK TO THE EARTH GROUND IN THE STARTER (IN ACCORDANCE WITH CERTIFIED DRAWINGS).	

**Water/Brine Pump Control**

Can the Carrier controls independently start the pumps?

- Condenser Liquid Pump Yes  No   
 Chilled Liquid Pump Yes  No

**INITIAL START:**

Check Position of all Valves: \_\_\_\_\_

**Isolation Valves (See Fig. 2, 43-45)**

VALVE	LOCATION	OPEN
Discharge	Under Muffler	_____
Cooler Inlet	Next to economizer or under cooler	_____
Hot Gas Bypass	Between cooler and condenser	_____
Vaporizer Condenser Gas	Between cooler and condenser	_____
Oil Pump	Next to oil pump inlet	_____
Oil Filter	Downstream of oil filter	_____
Oil Pressure Regulator	Under oil sump next to oil pressure regulator	_____
Filter/Drier	Next to condenser float chamber	_____
Filter/Drier	Under condenser near filter/drier	_____
VFD Refrigerant Cooling Inlet	Under compressor discharge	_____
VFD Refrigerant Cooling Drain	Between cooler and condenser	_____
<b>Relief Valve Three-Way Valves</b>		
Cooler (if installed)	Fully Front Seated or Fully Back Seated	_____
Condenser	Fully Front Seated or Fully Back Seated	_____
<b>Service Valves</b>		<b>CLOSED</b>
Cooler Refrigerant Charging Valve	On cooler relief valve tree	_____
Cooler Refrigerant Pumpout Valve	Under cooler	_____
Condenser Refrigerant Charging Valve	On condenser relief valve tree	_____
Condenser Refrigerant Pumpout Valve	On condenser float valve chamber	_____
Oil Sump Charging/Drain Valve	Under oil sump	_____

CUT ALONG DOTTED LINE



Start Liquid Pumps and Establish Liquid Flow \_\_\_\_\_

Oil Level OK and Oil Temperature OK \_\_\_\_\_ Oil Pressure \_\_\_\_\_

Restart Compressor, Bring Up To Speed. Shut Down. Any Abnormal Coastdown Noise? Yes\*  No

\*If yes, determine cause.

**START MACHINE AND OPERATE. COMPLETE THE FOLLOWING:**

- A: Trim charge and record under Charge Refrigerant Into Chiller section on page 63.
- B: Complete any remaining control calibration and record under Controls section (pages 12-46).
- C: Take at least two sets of operational log readings and record.
- D: After machine has been successfully run and set up, shut down and mark shutdown oil levels.
- E: Give operating instructions to owner's operating personnel. Hours Given: \_\_\_\_\_ Hours
- F: Call your Carrier factory representative to report chiller start-up.
- G: Register LiquiFlo2 VFD start up on [www.automation.rockwell.com/complete1/warp](http://www.automation.rockwell.com/complete1/warp).
- H: Return a copy of this completed checklist to the local Carrier Service office.

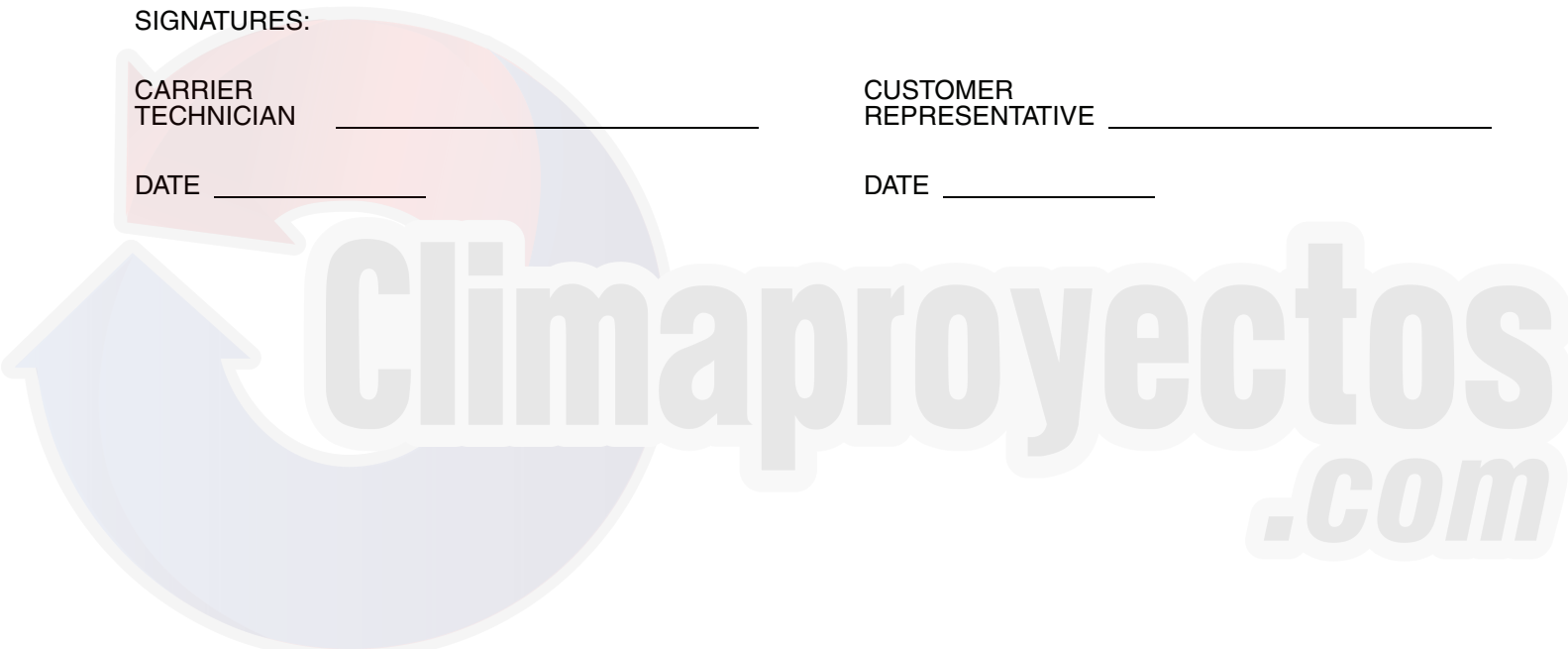
**SIGNATURES:**

CARRIER TECHNICIAN \_\_\_\_\_

CUSTOMER REPRESENTATIVE \_\_\_\_\_

DATE \_\_\_\_\_

DATE \_\_\_\_\_



**23XRV PIC III SETPOINT TABLE CONFIGURATION SHEET**

DESCRIPTION	RANGE	UNITS	DEFAULT	VALUE
<b>Base Demand Limit</b>	40 to 100	%	100	
<b>LCL Setpoint</b>	10 to 60 (-12.2-15.6)	° F (° C)	50.0 (10.0)	
<b>ECL Setpoint</b>	15 to 65 (-9.4-18.3)	° F (° C)	60.0 (15.6)	
<b>Ice Build Setpoint</b>	15-60 (-9.4-15.6)	° F (° C)	40 (4.4)	
<b>Tower Fan High Setpoint</b>	55 to 105 (-13-41)	° F (° C)	75 (23.9)	

Upload all Control Configuration tables via Service Tool    Yes     No

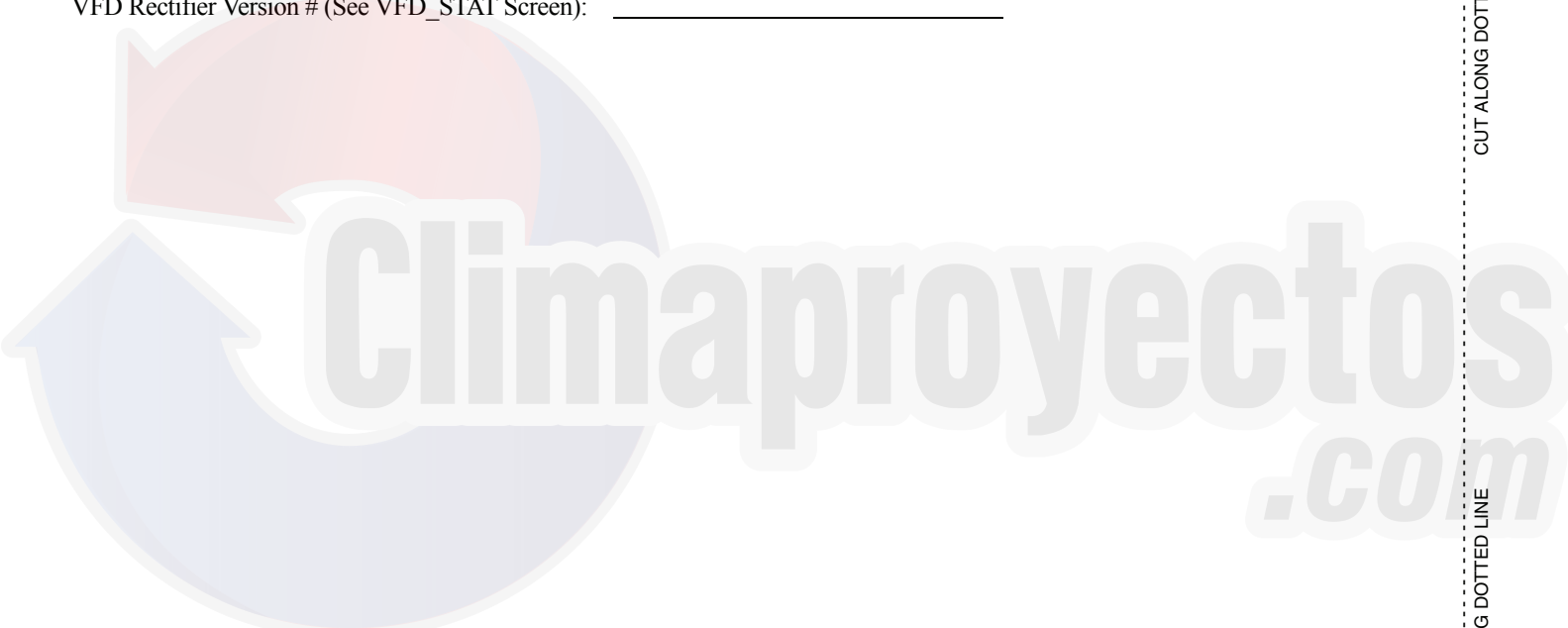
ICVC Software Part # (See ICVC CONFIGURATION Screen): \_\_\_\_\_

ICVC Controller Identification (See ICVC CONFIGURATION Screen):    BUS: \_\_\_\_\_    ADDRESS: \_\_\_\_\_

VFD Gateway Version # (See VFD\_STAT Screen): \_\_\_\_\_

VFD Inverter Version # (See VFD\_STAT Screen): \_\_\_\_\_

VFD Rectifier Version # (See VFD\_STAT Screen): \_\_\_\_\_



CUT ALONG DOTTED LINE

23XRV PIC III LOCAL TIME SCHEDULE CONFIGURATION SHEET OCCPC01S

	Day Flag								Occupied Time				Unoccupied Time				
	M	T	W	T	F	S	S	H									
Period 1:																	
Period 2:																	
Period 3:																	
Period 4:																	
Period 5:																	
Period 6:																	
Period 7:																	
Period 8:																	

NOTE: Default setting is OCCUPIED 24 hours/day.

ICE BUILD 23XRV PIC III TIME SCHEDULE CONFIGURATION SHEET OCCPC02S

	Day Flag								Occupied Time				Unoccupied Time				
	M	T	W	T	F	S	S	H									
Period 1:																	
Period 2:																	
Period 3:																	
Period 4:																	
Period 5:																	
Period 6:																	
Period 7:																	
Period 8:																	

NOTE: Default setting is UNOCCUPIED 24 hours/day.

23XRV PIC III CCN TIME SCHEDULE CONFIGURATION SHEET OCCPC03S

	Day Flag								Occupied Time				Unoccupied Time				
	M	T	W	T	F	S	S	H									
Period 1:																	
Period 2:																	
Period 3:																	
Period 4:																	
Period 5:																	
Period 6:																	
Period 7:																	
Period 8:																	

NOTE: Default setting is OCCUPIED 24 hours/day.

**23XRV PIC III VFD\_CONF TABLE CONFIGURATION SHEET**

DESCRIPTION	RANGE	UNITS	DEFAULT	VALUE
Motor Nameplate Voltage	480-480	VOLTS	480	
Compressor 100% Speed	60.0-101	Hz	70	
Rated Line Voltage	346-480	VOLTS	460	
Rated Line Amps	10-5000	AMPS	200	
Rated Line Kilowatts	0-999999	KW	100	
Motor Rated Load KW	0-999999	KW	100	
Motor Rated Load Amps	10-5000	AMPS	200	
Motor Nameplate Amps	10-5000	AMPS	100	
Motor Nameplate RPM	1500-3030		2672	
Motor Nameplate KW	0-999999	KW	100	
Inverter PWM Frequency (0=4 k Hz, 1=2 k Hz)	0/1		0	
Skip Frequency 1	0.0-102	Hz	102	
Skip Frequency 2	0.0-102	Hz	102	
Skip Frequency 3	0.0-102	Hz	102	
Skip Frequency Band	0.0-102	Hz	0	
Line Voltage % Imbalance	1-10	%	10	
Line Volt Imbalance Time	1-10	SEC	10	
Line Current % Imbalance	5-40	%	40	
Line Current Imbal Time	1-10	SEC	10	
Motor Current % Imbalance	5-40	%	40	
Motor Current Imbal Time	1-10	SEC	10	
Increase Ramp Time	5-60	SEC	30	
Decrease Ramp Time	5-60	SEC	30	
Single Cycle Dropout	0/1	DSABLE/ENABLE	DSABLE	

CUT ALONG DOTTED LINE

**23XRV PIC III OPTIONS TABLE CONFIGURATION SHEET**

DESCRIPTION	RANGE	UNITS	DEFAULT	VALUE
<b>Auto Restart Option</b>	0/1	DSABLE/ENABLE	DSABLE	
<b>Remote Contacts Option</b>	0/1	DSABLE/ENABLE	DSABLE	
<b>Soft Stop Amps Threshold</b>	40 to 100	%	100	
<b>Hot Gas Bypass</b>				
<b>HGBP Option</b>	0,1,2	0=DSABLE 1=HGBP 2=LOW LOAD HGBP	0=DSABLE	
<b>Min. Load Point (T1, P1)</b>				
<b>HGBP Delta T1</b>	0.5 to 20 (.3 to 11.1)	^F (^C)	1.5 (.8)	
<b>HGBP Delta P1</b>	30 to 170 (206.9 to 1172.2)	PSI (kPa)	150 (1034.2)	
<b>Full Load Point (T2, P2)</b>				
<b>HGBP Delta T2</b>	0.5 to 20 (.3 to 11.1)	^F (^C)	4 (2.2)	
<b>HGBP Delta P2</b>	30 to 250 (206.9 to 1724)	PSI (kPa)	200 (1379)	
<b>HGBP Deadband</b>	0.5 to 3 (.3 to 1.7)	^F (^C)	1 (.6)	
<b>HGBP On Delta T</b>	0.5-10 (0.3-5.6)	^F (^C)	2.0 (1.1)	
<b>HGBP Off Delta T</b>	1.0-10 (0.6-5.6)	^F (^C)	4.0 (2.2)	
<b>Stall Protection</b>				
<b>Stall Delta % Amps</b>	5 to 20	%	10	
<b>Stall Time Period</b>	7 to 10	MIN	8	
<b>Ice Build Control</b>				
<b>Ice Build Option</b>	0/1	DSABLE/ENABLE	DSABLE	
<b>Ice Build Termination (0=TEMP, 1=Contact, 2=Both)</b>	0-2		0	
<b>Ice Build Recycle</b>	0/1	DSABLE/ENABLE	DSABLE	
<b>Refrigerant Leak Option</b>	0/1	DSABLE/ENABLE	DSABLE	
<b>PPM at 20 mA</b>	0-99999		1000	
<b>Refrigerant Leak Alarm PPM</b>	0-99999		20	
<b>Head Pressure Reference</b>				
<b>Delta P at 0% (4 mA)</b>	20-85 (138-586)	PSI (kPa)	25 (172)	
<b>Delta P at 100% (20 mA)</b>	20-85 (138-586)	PSI (kPa)	35 (241)	
<b>Minimum Output</b>	0 to 100	%	0	

**23XRV PIC III SETUP1 TABLE CONFIGURATION SHEET**

DESCRIPTION	RANGE	UNITS	DEFAULT	VALUE
Comp Motor Temp Override	150 - 200 (66 - 93)	° F (° C)	200 (93)	
Cond Press Override	145 - 166 (1000 - 1145)	PSI (kPa)	145 (1000)	
Comp Discharge Alert	125 to 160 (52 to 71)	° F (° C)	140 (60)	
Rectifier Temp Override	155 to 170 (68 to 77)	° F (° C)	160 (71)	
Inverter Temp Override	155 to 170 (68 to 77)	° F (° C)	160 (71)	
Chilled Medium	0/1	WATER/BRINE	WATER	
Chilled Liquid Deadband.	0.5 to 2.0 (0.3 to 1.1)	° F (° C)	1.0 (0.6)	
Evap Refrig Trippoint	10 to 40.0 (-12.2 to 4.4)	° F (° C)	33 (0.6)	
Refrig Override Delta T	2.0 to 5.0 (1.1 to 2.8)	° F (° C)	3 (1.7)	
Evap Approach Alert	0.5 to 15 (0.3 to 8.3)	° F (° C)	5 (2.8)	
Cond Approach Alert	0.5 to 15 (0.3 to 8.3)	° F (° C)	6 (3.3)	
Condenser Freeze Point	-20 to 35 (-28.9 to 1.7)	° F (° C)	34 (1.1)	
Flow Delta P Display	0/1	DS/ENABLE	DSABLE	
Evap Flow Delta P Cutout	0.5 to 50.0 (3.4 to 344.8)	PSI (kPa)	5.0 (34.5)	
Cond Flow Delta P Cutout	0.5 to 50.0 (3.4 to 344.8)	PSI (kPa)	5.0 (34.5)	
Oil Press Verify Time	15 to 300	SEC	45	
Liquid Flow Verify Time	0.5 to 5	MIN	5	
Recycle Control				
Restart Delta T	2.0 to 10.0 (1.1 to 5.6)	° F (° C)	5 (2.8)	
Shutdown Delta T	0.5 to 4.0 (0.3 to 2.2)	° F (° C)	1 (0.6)	
SPARE ALERT/ALARM ENABLE Disable=0, Lo=1/3, Hi=2/4				
Spare Temp #1 Enable	0 to 4		0	
Spare Temp #1 Limit	-40 to 245 (-40 to 118)	° F (° C)	245 (118)	
Spare Temp #2 Enable	0 to 4		0	
Spare Temp #2 Limit	-40 to 245 (-40 to 118)	° F (° C)	245 (118)	

CUT ALONG DOTTED LINE



**23XRV PIC III SETUP2 TABLE CONFIGURATION SHEET**

DESCRIPTION	STATUS	UNITS	DEFAULT	VALUE
<b>Capacity Control</b>				
Proportional Inc Band	2 to 10		6.5	
Proportional Dec Band	2 to 10		6.0	
Proportional ECL Gain	1 to 3		2.0	
<b>VFD Control</b>				
VFD Gain	0.1 to 1.5		0.75	
VFD Minimum Speed	15 to 50	%	20	
VFD Maximum Speed	15 to 100	%	100	
Vaporizer Heater Mode	0 to 1		0	
0 = Normal, 1 = Service				



**23XRV PIC III LEADLAG TABLE CONFIGURATION SHEET**

DESDRIPTION	RANGE	UNITS	DEFAULT	VALUE
<b>Lead Lag Control</b>				
<b>LEAD/LAG Configuration</b> DSABLE=0, LEAD=1, LAG=2, STANDBY=3	0 to 3		0	
<b>Load Balance Option</b>	0/1	DSABLE/ENABLE	DSABLE	
<b>Common Sensor Option</b>	0/1	DSABLE/ENABLE	DSABLE	
<b>LAG % Capacity</b>	25 to 75	%	50	
<b>LAG Address</b>	1 to 236		92	
<b>LAG START Timer</b>	2 to 60	MIN	10	
<b>LAG STOP Timer</b>	2 to 60	MIN	10	
<b>PRESTART FAULT Timer</b>	2 to 30	MIN	5	
<b>PULLDOWN Timer</b>	1 to 30	MIN	2	
<b>STANDBY Chiller Option</b>	0/1	DSABLE/ENABLE	DSABLE	
<b>STANDBY % Capacity</b>	25 to 75	%	50	
<b>STANDBY Address</b>	1 to 236		93	



CUT ALONG DOTTED LINE

**23XRV PIC III RAMP\_DEM TABLE CONFIGURATION SHEET**

DESCRIPTION	RANGE	UNITS	DEFAULT	VALUE
<b>Pulldown Ramp Type:</b> Select: Temp=0, kW=1	0/1		1	
<b>Demand Limit and kW Ramp</b>				
<b>Demand Limit Source</b> Select: Amps=0, kW=1	0/1		0	
<b>Amps or kW Ramp % Min</b>	5 to 20		10	
<b>Demand Limit Prop Band</b>	3 to 15	%	10	
<b>Demand Limit At 20 mA</b>	40 to 100	%	40	
<b>20 mA Demand Limit Opt</b>	0/1	DSABLE/ENABLE	DSABLE	
<b>Demand Watts Interval</b>	5 to 60	MIN	15	

**23XRV PIC III TEMP\_CTL TABLE CONFIGURATION SHEET**

DESCRIPTION	RANGE	UNITS	DEFAULT	VALUE
<b>Control Point Source</b>				
<b>ECL Control Option</b>	0/1	DSABLE/ENABLE	DSABLE	
<b>Temp Pulldown Ramp/Min</b>	2 to 10 (1.1 to 5.6)	°F (°C)	3 (1.7)	
<b>Temperature Reset</b>				
<b>RESET TYPE 1</b>				
<b>Degrees Reset At 20 mA</b>	-30 to 30 (-17 to 17)	°F (°C)	10 (6)	
<b>RESET TYPE 2</b>				
<b>Remote Temp (-&gt; No Reset)</b>	-40 to 245 (-40 to 118)	°F (°C)	85 (29)	
<b>Remote Temp (-&gt; Full Reset)</b>	-40 to 245 (-40 to 118)	°F (°C)	65 (18)	
<b>Degrees Reset</b>	-30 to 30 (-17 to 17)	°F (°C)	10 (6)	
<b>RESET TYPE 3</b>				
<b>CHL Delta T (-&gt; No Reset)</b>	0 to 15 (0 to 8)	°F (°C)	10 (6)	
<b>CHL Delta T (-&gt; Full Reset)</b>	0 to 15 (0 to 8)	°F (°C)	0 (0)	
<b>Degrees Reset</b>	-30 to 30 (-17 to 17)	°F (°C)	5 (3)	
<b>Enable Reset Type</b>	0 to 3		0	

**23XRV BROADCAST (BRODEF) CONFIGURATION SHEET**

DESCRIPTION	RANGE	UNITS	DEFAULT	VALUE
Time Broadcast Enable	0/1	DSABLE/ENABLE	DSABLE	
Daylight Savings				
Start Month	1 to 12		4	
Start Day of Week	1 to 7		7	
Start Week	1 to 5		1	
Start Time	00:00 to 24:00	HH:MM	02:00	
Start Advance	0 to 360	MIN	0	
Stop Month	1 to 12		10	
Stop Day of Week	1 to 7		7	
Stop Week	1 to 5		5	
Stop Time	00:00 to 24:00		02:00	
Stop Back	0 to 360	MIN	0	



CUT ALONG DOTTED LINE