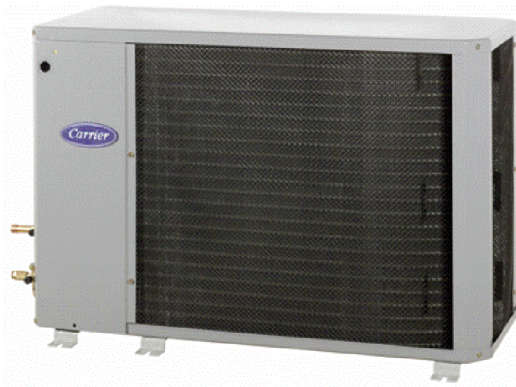


**38QRR**  
**Performance™ Series Heat Pump**  
**with Puron® Refrigerant**  
**1 – 1/2 to 5 Nominal Tons**



## Product Data



Performance  
SERIES

Carrier Heat Pumps with Puron® refrigerant provide a collection of features unmatched by any other family of equipment. The 38QRR has been designed utilizing Carrier's Puron refrigerant. This environmentally sound refrigerant allows you to make a responsible decision in the protection of the earth's ozone layer.

This product has been designed and manufactured to meet Energy Star® criteria for energy efficiency when matched with appropriate coil components. Refer to the combination ratings in the Product Data for system combinations that meet Energy Star® guidelines.

**NOTE: Ratings contained in this document are subject to change at any time. Always refer to the AHRI directory ([www.ahridirectory.org](http://www.ahridirectory.org)) for the most up-to-date ratings information.**

### INDUSTRY LEADING FEATURES / BENEFITS

#### Energy Efficiency

- 13 - 15.5 SEER/10.5 - 13.5 EER/7.7 - 9.0 HSPF

#### Sound

- Levels as low as 68 dBA

#### Design Features

- New aesthetics
- Small footprint
- WeatherArmor™ cabinet
  - All steel cabinet construction
  - Baked on powder paint
  - Mesh coil guard

#### Reliability, Quality and Toughness

- Scroll compressor
- Factory-supplied filter drier
- High pressure switch
- Low pressure switch
- Accumulator
- Line lengths up to 250' (76.2 m)
- Low ambient operation (down to -20°F/-28.9°C)  
(with low ambient accessories)

# MODEL NUMBER NOMENCLATURE

1	2	3	4	5	6	7	8	9	10	11	12	13
N	N	A	A	A/N	N	N	N	A/N	A/N	A/N	N	N
3	8	Q	R	R	0	1	8	A	0	0	3	0

Product Series	QRR = Horizontal Discharge Heat Pump	Cooling Capacity	Variations	Open	Open	Voltage	Minor Series
38=AC/HP			A=Standard	0=Not Defined	0=Not Defined	3=208/230-1 5=208/230-3 6=460/3	0, 1, 2...

38QRR



Use of the AHRI Certified TM Mark indicates a manufacturer's participation in the program. For verification of certification for individual products, go to [www.ahridirectory.org](http://www.ahridirectory.org).



ISO 9001  
QMI-SAI Global



This product has been designed and manufactured to meet Energy Star® criteria for energy efficiency when matched with appropriate coil components. However, proper refrigerant charge and proper air flow are critical to achieve rated capacity and efficiency. Installation of this product should follow all manufacturing refrigerant charging and air flow instructions. **Failure to confirm proper charge and air flow may reduce energy efficiency and shorten equipment life.**

## PHYSICAL DATA

UNIT 38QRR	018	024	030	036	048	060
<b>NOMINAL CAPACITY Tons (kg)</b>	1.5 (1360.8)	2.0 (1814.4)	2.5 (2268.0)	3.0 (2721.6)	4.0 (3628.8)	5.0 (4536.0)
<b>OPERATING WEIGHT lb (kg)</b>	167 (75.75)	176 (79.83)	187 (84.82)	232 (105.23)	278 (126.10)	306 (138.80)
<b>REFRIGERANT TYPE</b>	R-410A					
<b>METERING DEVICE</b>	TXV					
<b>CHARGE lb (kg)</b>	6.8 (3.08)	7.0 (3.18)	12.0 (5.44)	12.5 (5.67)	12.2 (5.53)	12.8 (5.81)
<b>COMPRESSOR</b>	Scroll					
Type	Scroll					
Oil Charge (POE – oz)	25.0	25.0	25.0	25.0	42.0	42.0
Crankcase Heater (watts)	—	—	40	40	40	40
<b>OUTDOOR FAN</b>						
Rpm/Cfm	840/1720	840/1720	850/3900	850/3900	850/3900	850/3900
Diameter in. (mm)	18 (457)	18 (457)	24 (610)	24 (610)	24 (610)	24 (610)
No. Blades	3	3	3	3	3	3
Motor (hp)	1/8	1/8	1/4	1/4	1/4	1/4
<b>OUTDOOR COIL</b>						
Face Area (sq ft)	5.8	7.3	12.1	12.1	14.1	14.1
No. Rows	3	3	2	3	3	3
FPI	20	20	20	20	20	20
<b>HIGH PRESSURE SWITCH</b>						
Cut-In (psig) Cutout (psig)	420 ± 25 650 ± 10	420 ± 25 650 ± 10	420 ± 25 650 ± 10	420 ± 25 650 ± 10	420 ± 25 650 ± 10	420 ± 25 650 ± 10
<b>LOW PRESSURE SWITCH</b>						
Low Cutout (psig)	20 ± 5	20 ± 5	20 ± 5	20 ± 5	20 ± 5	20 ± 5
Low Cut-in (psig)	45 ± 25	45 ± 25	45 ± 25	45 ± 25	45 ± 25	45 ± 25
<b>REFRIGERANT LINES</b>						
Connection Type	Sweat					
Max. Liquid Line (in.) OD	3/8	3/8	3/8	3/8	3/8	3/8
Rated Vapor Line* (in.) OD	5/8	5/8	3/4	3/4	7/8	7/8‡
<b>CONTROLS</b>						
Fusible Plug °F (°C)	210 (98.9)					
Control Voltage†	24 vac					
System Voltage	208/230 v	208/230 v	208/230 v	208/230 v, Single and 3 Phase, 460 v, 3 Phase		
<b>FINISH</b>	Gray					

\* Units are rated with 25 ft (7.6 m) of lineset length. See *Vapor Line Sizing and Cooling Capacity Loss* table when using other sizes and lengths of lineset.

† 24 v and a minimum of 40 va is provided in the fan coil unit.

‡ Valve connection size is 7/8 inch. Recommended line size is 1 – 1/8 inches.

FPI – Fins Per Inch

POE – Polyol Ester

# VAPOR LINE SIZING AND COOLING CAPACITY LOSS

**LONG LINE APPLICATION:** An application is considered "Long line" when the total equivalent tubing length exceeds 80 ft. (24.38 m) or when there is more than 20 ft. (6.09 m) vertical separation between indoor and outdoor units. These applications require additional accessories and system modifications for reliable system operation. The maximum allowable total equivalent length is up to 250 ft. (76.2 m). The maximum

vertical separation is 200 ft. (60.96 m) when outdoor unit is above indoor unit, and up to 80 ft. (24.38 m) when the outdoor unit is below the indoor unit. Refer to Accessory Usage Guideline below for required accessories. See Longline Application Guideline for required piping and system modifications. Also, refer to the table below for the vapor tube diameters based on the total length to minimize the cooling capacity loss.

Unit Nominal Size (Btuh)	Maximum Liquid Line Diameters (In.) OD	Vapor Line Diameters (In.) OD	Cooling Capacity Loss (%) Total Equivalent Line Length ft. (m)								
			Standard Application		Long Line Application Requires Accessories						
			26-50 (7.9-15.2)	51-80 (15.5-24.4)	81-100 (24.7-30.5)	101-125 (30.8-38.1)	126-150 (38.4-45.7)	151-175 (46.0-50.3)	176-200 (53.6-60.0)	201-225 (61.3-68.6)	226-250 (68.9-76.2)
18,000 1-Stage Puron HP	3/8	1/2	1	2	3	4	6	7	8	9	10
		5/8	0	0	1	1	1	2	2	3	3
24,000 1-Stage Puron HP		5/8	0	1	1	2	3	3	4	4	5
		3/4	0	0	0	0	1	1	1	1	1
30,000 1-Stage Puron HP		5/8	1	2	3	3	4	5	6	7	8
		3/4	0	0	1	1	1	2	2	2	3
		7/8	0	0	0	0	1	1	1	1	1
36,000 1-Stage Puron HP		5/8	1	2	4	5	6	7	9	10	11
		3/4	0	0	1	1	2	2	3	3	4
		7/8	0	0	0	0	1	1	1	1	2
48,000 1-Stage Puron HP		3/4	0	1	2	3	4	5	5	6	7
		7/8	0	0	1	1	2	2	2	3	3
60,000 1-Stage Puron HP	3/4	1	2	4	5	6	7	9	10	11	
	7/8	0	1	2	2	3	4	4	5	5	
	1-1/8	0	0	0	1	1	1	1	1	1	

Applications in this area are long line. Accessories are required as shown recommended on Long Line Application Guidelines  
 Applications in this area may have height restrictions that limit allowable total equivalent length, when outdoor unit is below indoor unit. See Long Line Application Guidelines

**3BQRR**

# ACCESSORIES

KIT NUMBER	KIT NAME	018	024	030	036	048	060
KAACH1401AAA	Crankcase Heater	X	X				
KAACS0201PTC	PTC Start Assist	X	X	X	X	X	X
KAFT0101AAA	Evaporator Freeze Stat	X	X	X	X	X	X
KAATD0101TDR	Time Delay Relay	X	X	X	X	X	X
KHAIR0101AAA	Isolation Relay	X	X	X	X	X	X
KSAHS1501AAA	Capacitor Relay Start Assist	X	X	X	X	X	X
53DS-900---086	Low Ambient Control (Puron)	X	X	X	X	X	X
53DS-900---070	Wind Baffle	X					
53DS-900---087	Wind Baffle		X				
53DS-900---071	Wind Baffle			X	X		
53DS-900---088	Wind Baffle					X	X
53DS-900---077	Wall Mounting Kit	X	X				
53DS-900---078	Wall Mounting Kit			X	X	X	X

X = Accessory, S = Standard

## ACCESSORY THERMOSTATS

PART NUMBER	PROGRAM	GAS	ELECTRIC	HEAT PUMP	HYBRID HEAT	HEAT	COOL
TP-PRH01-A	7-Day	√	√	√	√	3	2
TP-PHP01	7-Day		√	√		3	2
TP-NRH01-A	NP	√	√	√	√	3	2
TP-NHP01	NP		√	√		3	2
TC-PHP01	5-2 Day		√	√		3	2
TC-NHP01	NP		√	√		3	2
TCSNHP01	NP		√	√		2	1

### THERMOSTAT ACCESSORIES

PART NUMBER	BRIEF DESCRIPTION	THERMOSTATS USED WITH
SYSTXCCRRS01	Indoor Remote Room Temperature Sensor	All TP- thermostats
TP-EXP01-A	ExP Computer Programming Accessory	TP-P thermostats
TSTATXCNV10‡	Thermostat Conversion Kit (4 to 5 wire) – 10 pack	All Carrier branded thermostats
TX-LBP01	Large Decorative Backplate	TP-Pxx, TP-Nxx, TC-Pxx
TX-MBP01	Medium Decorative Backplate	TC-Nxx, TB-Pxx
TSTATXXSEN01-B*	Outdoor Air Temperature Sensor	All TP- thermostats

INFINITY™ * CONTROLS	DESCRIPTION
SYSTXCCUID01-A	Infinity Control Deluxe 7-Day Programmable (Wall-mounted system control.)
SYSTXCCUIZ01-A	Infinity Control Deluxe Zoning 7-Day Programmable (Wall-mounted control for a multi-zone system.)
SYSTXCC4ZC01	Infinity 4-Zone Damper Control Module (Wall-mounted control for a 4-zone system.)
SYSTXCCSMS01	Infinity Smart Sensor (Optional wall control used to monitor temperature and/or fan control in an individual zone.)
SYSTXCCRRS01	Infinity Remote Room Sensor (Monitors temperature in an individual zone.)
SYSTXCCNIM01	Infinity Network Interface Module (Connects Heat Recovery and Energy Recovery Ventilators or older two-speed outdoor models to system.)
SYSTXXXBPU01	Decorative Back Plate for Infinity Control (Decorative wall plate.)

\* When applied with Carrier's IdealHumidity™ series variable speed Indoor Models.

## ACCESSORY USAGE GUIDELINE

Accessory	REQUIRED FOR LOW-AMBIENT COOLING APPLICATIONS (Below 55°F / 12.8°C)	REQUIRED FOR LONG LINE APPLICATIONS* (Over 80 ft. / 24.38 m)	REQUIRED FOR SEA COAST APPLICATIONS (Within 2 miles / 3.22 km)
Accumulator	Standard	Standard	Standard
Ball Bearing Fan Motor	Yes†	No	No
Compressor Start Assist Capacitor and Relay	Yes	Yes	No
Crankcase Heater	Yes	Yes	No
Evaporator Freeze Thermostat	Yes	No	No
Hard Shutoff TXV	Yes	Yes	Yes
Isolation Relay	Yes	No	No
Liquid Line Solenoid Valve	No	See Long-Line Application Guideline	No
Motor Master® Control or Low Ambient Switch	Yes	No	No
Support Feet	Recommended	No	Recommended

\* For tubing line sets between 80 and 200 ft. (24.38 and 60.96 m) and/or 20 ft. (6.09 m) vertical differential, refer to Residential Split-System Longline Application Guideline.

† Additional requirement for Low-Ambient Controller (full modulation feature) MotorMaster® Control.

### Accessory Description and Usage (Listed Alphabetically)

#### 1. Ball-Bearing Fan Motor

A fan motor with ball bearings which permits speed reduction while maintaining bearing lubrication.

Usage Guideline:

Required on all units when using MotorMaster®

#### 2. Compressor Start Assist - Capacitor and Relay

Start capacitor and relay gives a "hard" boost to compressor motor at each start up.

Usage Guideline:

Required for reciprocating compressors in the following applications:

- Long line
- Low ambient cooling
- Hard shut off expansion valve on indoor coil
- Liquid line solenoid on indoor coil

Required for single-phase scroll compressors in the following applications:

- Long line
- Low ambient cooling

Suggested for all compressors in areas with a history of low voltage problems.

#### 3. Compressor Start Assist — PTC Type

Solid state electrical device which gives a "soft" boost to the compressor at each start-up.

Usage Guideline:

Suggested in installations with marginal power supply.

#### 4. Crankcase Heater

An electric resistance heater which mounts to the base of the compressor to keep the lubricant warm during off cycles. Improves compressor lubrication on restart and minimizes the chance of liquid slugging.

Usage Guideline:

- Required in low ambient cooling applications.
- Required in long line applications.
- Suggested in all commercial applications.

#### 5. Evaporator Freeze Thermostat

An SPST temperature-actuated switch that stops unit operation when evaporator reaches freeze-up conditions.

Usage Guideline:

Required when low ambient kit has been added.

#### 6. Isolation Relay

An SPDT relay which switches the low-ambient controller out of the outdoor fan motor circuit when the heat pump switches to heating mode.

Usage Guideline:

Required in all heat pumps where low ambient kit has been added.

#### 7. Liquid-Line Solenoid Valve (LLS)

An electrically operated shutoff valve which stops and starts refrigerant liquid flow in response to compressor operation. It is to be installed at the outdoor unit to control refrigerant off cycle migration in the heating mode.

Usage Guideline:

An LLS is required in all long line heat pump applications to control refrigerant off cycle migration in the heating mode. See Long Line Guideline.

#### 8. Low-Ambient Pressure Switch Kit

A long life pressure switch which is mounted to outdoor unit service valve. It is designed to cycle the outdoor fan motor in order to maintain head pressure within normal operating limits. The control will maintain working head pressure at low-ambient temperatures down to 0°F (-18°C) when properly installed.

Usage Guideline:

A Low-Ambient Pressure Switch or MotorMaster® Low-Ambient Controller must be used when cooling operation is used at outdoor temperatures below 55°F (12.8°C).

#### 9. MotorMaster® Low-Ambient Controller

A fan-speed control device activated by a temperature sensor, designed to control condenser fan motor speed in response to the saturated, condensing temperature during operation in cooling mode only. For outdoor temperatures down to -20°F (-28.9°C), it maintains condensing temperature at 100°F ±10°F (37.8°C ± 5.6°C).

Usage Guideline:

A MotorMaster® Low Ambient Controller or Low-Ambient Pressure Switch must be used when cooling operation is used at outdoor temperatures below 55°F (12.8°C).

Suggested for all commercial applications.

## Accessory Description and Usage (Listed Alphabetically) - CONTINUED

### 10. Outdoor Air Temperature Sensor

Designed for use with Carrier Thermostats listed in this publication. This device enables the thermostat to display the outdoor temperature. This device also is required to enable special thermostat features such as auxiliary heat lock out.

Usage Guideline:

Suggested for all Carrier thermostats listed in this publication.

### 11. Outdoor Thermostat

An SPDT temperature-actuated switch which turns on supplemental electric heaters when outdoor air temperature drops below a user-selected set point.

Usage Guideline:

Electric supplemental heat applications in non-variable speed indoor units when electric heat staging is desired.

### 12. Secondary Outdoor Thermostat

An SPDT temperature-actuated switch which turns on third-stage of supplemental electric heaters when outdoor air temperature drops below the second-stage set point.

Usage Guideline:

Outdoor thermostat applications where electric heater is capable of 3-stage operation.

### 13. Snow Stand Rack

Coated wire rack which supports unit 18 in. (457.2 mm) above mounting pad to allow for drainage from unit base.

Usage Guideline:

Suggested in the following applications:

- Heat pump installations in heavy snowfall areas.
- Heat pump installations in snow drift locations.
- Heat pump installations in areas of prolonged subfreezing temperatures.
- All commercial installations.

### 14. Sound Hood

Wraparound sound reducing cover for the compressor. Reduces the sound level by about 2 dBA.

Usage Guideline:

Suggested when unit is installed closer than 15 ft. (4.577 m) to quiet areas, bedrooms, etc.

Suggested when unit is installed between two houses less than 10 ft. (3.05 m) apart.

### 15. Thermostatic Expansion Valve (TXV) Bi-Flow

A modulating flow-control valve which meters refrigerant liquid flow rate into the evaporator in response to the superheat of the refrigerant gas leaving the evaporator.

Usage Guideline:

Accessory required to meet AHRI rating and system reliability, where indoor not equipped.

Required in all heat pump applications designed with Puron refrigerant.

### 16. Time-Delay Relay

An SPST delay relay which briefly continues operation of indoor blower motor to provide additional cooling after the compressor cycles off.

**Note:** Most indoor unit controls include this feature. For those that do not, use the guideline below.

Usage Guideline:

Accessory required to meet AHRI rating, where indoor not equipped.

# ELECTRICAL DATA

38QRR UNIT SIZE	V-PH-Hz	VOLTAGE RANGE*		COMPRESSOR		OUTDOOR FAN MOTOR			WIRE GAUGE 60°C/75°C	WIRE LENGTH 60°C/75°C	MIN CKT AMPS	FUSE/HACR CKT AMPS
		Min	Ma x	RLA	LRA	FLA	NEC Hp	kw Out				
018	208/230-1-60	187	253	9.0	48.0	0.80	0.125	0.09	14/14	61/62	12.1	20
024	208/230-1-60	187	253	14.4	58.3	0.80	0.125	0.09	14/14	41/39	18.8	30
030	208/230-1-60	187	253	12.8	64.0	1.5	0.25	0.19	14/14	44/42	17.5	30
036	208/230-1-60	187	253	15.5	77.0	1.5	0.25	0.19	12/12	60/57	20.9	30
	208/230-3-60	187	253	10.1	71.0	1.5	0.25	0.19	14/14	53/50	14.1	20
	460-3-60	414	506	5.6	38.0	0.80	0.25	0.19	14/14	98/94	7.9	10
048	208/230-1-60	187	253	26.5	117.0	1.5	0.25	0.19	8/10	89/54	34.6	50
	208/230-3-60	187	253	16.7	83.1	1.5	0.25	0.19	12/12	55/52	22.4	30
	460-3-60	414	506	7.3	41.0	0.80	0.25	0.19	14/14	79/75	10.0	15
060	208/230-1-60	187	253	26.4	134.0	1.5	0.25	0.19	8/10	89/54	34.5	60
	208/230-3-60	187	253	17.7	110.0	1.5	0.25	0.19	12/12	52/50	23.6	40
	460-3-60	414	506	7.8	52.0	.80	0.25	0.19	14/14	72/68	10.6	15

## LEGEND:

- FLA – Full Load Amps
- HACR – Heating, Air Conditioning, Refrigeration
- LRA – Locked Rotor Amps
- NEC – National Electrical Code
- RLA – Rated Load Amps (compressor)

\* Permissible limits of the voltage range at which the unit will operate satisfactorily

NOTE: Control circuit is 24-V on all units and requires external power source. Copper wire must be used from service disconnect to unit. All motors/compressors contain internal overload protection.

38QRR

## A-WEIGHTED SOUND POWER (dBA)

Unit Size	Standard Rating (dBA)	Typical Octave Band Spectrum (dBA, without tone adjustment)						
		125	250	500	1000	2000	4000	8000
018	68	54.0	56.5	61.5	63.0	59.5	56.0	45.0
024	69	54.0	58.0	62.5	63.5	60.0	57.5	45.5
030	71	57.6	61.0	64.5	64.3	63.1	62.1	54.9
036	72	61.0	60.3	63.3	64.3	63.0	64.1	56.7
048	71	61.1	61.6	64.0	64.8	62.9	60.0	53.3
060	72	63.8	62.6	64.7	65.2	63.3	59.0	51.3

## CHARGING SUBCOOLING (TXV-TYPE EXPANSION DEVICE)

UNIT SIZE	REQUIRED SUBCOOLING °F (°C)	OUTDOOR HEATING PISTON #
018	12 (6.7)	EA52PJ040
024		EA52PJ049
030		EA52PJ055
036		EA52PJ063
048	13 (7.2)	EA52PJ073
060		EA52PJ080

**DIMENSIONS - ENGLISH**

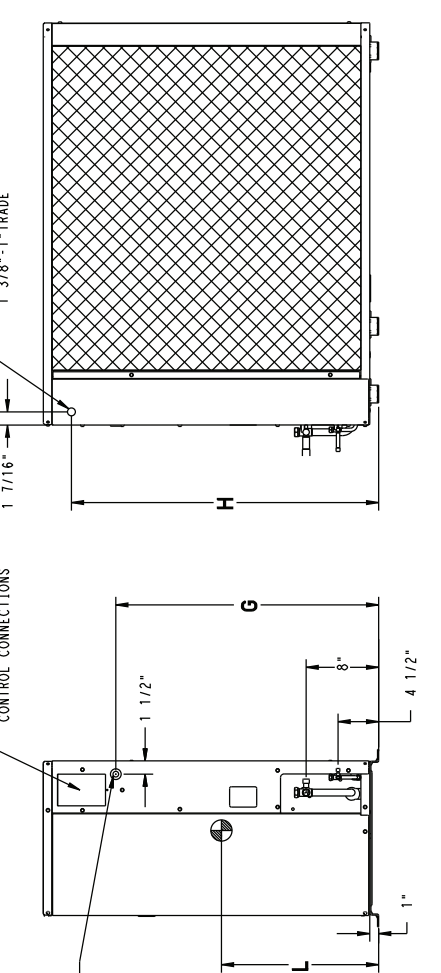
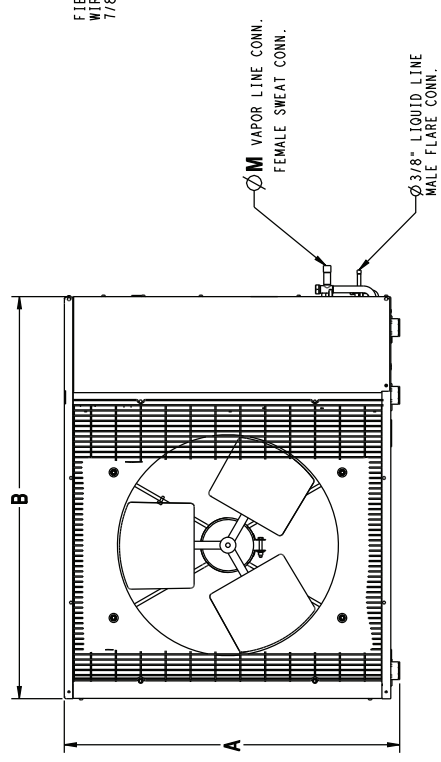
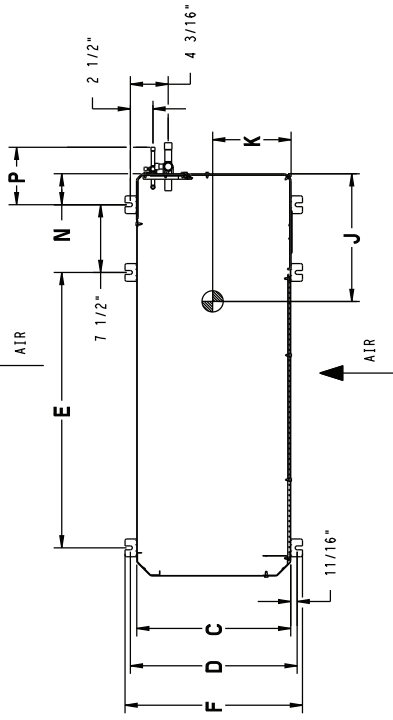
UNIT SERIES	ELECTRICAL CHARACTERISTICS	A	B	C	D	E	F	G	H	J	K	L	M	N	P	OPERATING WEIGHT(lbs)	SHIPPING WEIGHT(lbs)	SHIPPING DIMENSIONS (L x W x H)					
380RR018	0	X	0	0	25 1/8"	36 15/16"	14 9/16"	16"	23 7/16"	17 3/16"	17 1/8"	17 1/8"	22"	13"	6 5/8"	11 1/4"	5/8"	2 15/16"	6"	183	42 9/10"	18"	28 1/10"
380RR024	0	X	0	0	31 1/8"	36 15/16"	14 9/16"	16"	23 7/16"	17 3/16"	17 1/8"	28"	22"	14"	6 3/4"	11 5/8"	5/8"	2 15/16"	6"	194	42 9/10"	18"	34 1/10"
380RR030	0	X	0	0	37 3/16"	44 9/16"	17 1/16"	18 7/16"	30 1/2"	19 5/8"	29 3/16"	34 1/16"	34 1/16"	13 11/16"	8 1/8"	15 7/8"	3/4"	3 7/16"	6 1/2"	210	50 1/2"	20 1/2"	40 2/10"
380RR036	0	X	0	0	43 3/16"	44 9/16"	17 1/16"	18 7/16"	30 1/2"	19 5/8"	29 3/16"	34 1/16"	34 1/16"	13 11/16"	8 1/8"	15 7/8"	3/4"	3 7/16"	6 1/2"	232	50 1/2"	20 1/2"	40 2/10"
380RR048	0	X	0	X	43 3/16"	44 9/16"	17 1/16"	18 7/16"	30 1/2"	19 5/8"	35 3/16"	40 1/16"	40 1/16"	14 1/2"	8 1/2"	18 7/8"	7/8"	3 7/16"	6 1/2"	278	50 1/2"	20 1/2"	46 2/10"
380RR060	0	X	0	X	43 3/16"	44 9/16"	17 1/16"	18 7/16"	30 1/2"	19 5/8"	35 3/16"	40 1/16"	40 1/16"	14 1/2"	8 1/2"	18 7/8"	7/8"	3 7/16"	6 1/2"	331	50 1/2"	20 1/2"	46 2/10"

- REQUIRED CLEARANCES: WITH COIL FACING WALL; ALLOW 6" MIN CLEARANCE ON COIL SIDE AND COIL END AND 36" MIN CLEARANCE ON COMPRESSOR END AND FAN SIDE. WITH FAN FACING WALL; ALLOW 8" MIN CLEARANCE ON FAN SIDE AND COIL END AND 36" MIN CLEARANCE ON COMPRESSOR END AND COIL SIDE. WITH MULTI UNIT APPLICATION; ARRANGE UNITS SO DISCHARGE OF ONE DOES NOT ENTER INLET OF ANOTHER.
- MINIMUM OUTDOOR OPERATING AMBIENT IN COOLING MODE IS 55°F, MAX. 125°F.
- SERIES DESIGNATION IS THE 13TH POSITION OF THE UNIT MODEL NUMBER.
- CENTER OF GRAVITY
- ALL DIMENSIONS ARE IN "INCHES" UNLESS NOTED.

X = YES  
0 = NO

460-3-60
208/230-3-60
230-1-60
208-230-1-60

UNIT SIZE	MINIMUM MOUNTING PAD DIMENSIONS
18,24	23" X 42"
30,36,48,60	24" X 50"





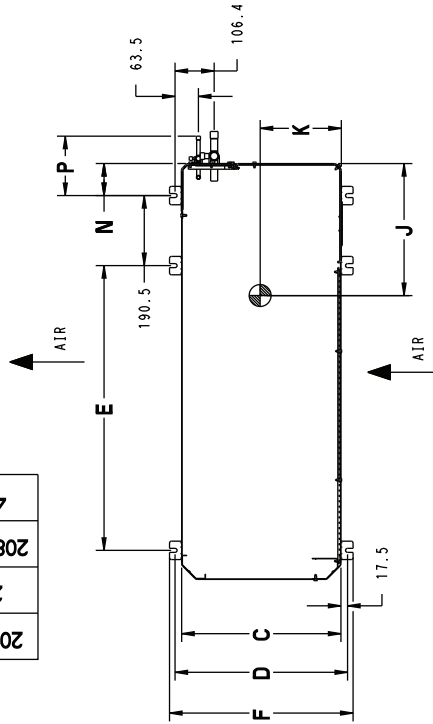
# DIMENSIONS - SI

UNIT	SERIES	ELECTRICAL CHARACTERISTICS	A	B	C	D	E	F	G	H	J	K	L	M	N	P	OPERATING WEIGHT(KG)	SHIPPING WEIGHT(KG)	SHIPPING DIMENSIONS (L x W x H)
360RR018	0	X	0	0	0	638.2	938.2	369.9	406.4	595.3	436.6	435.0	285.8	15.9	74.6	152.4	75.9	83.2	1090.2 X 457.7 X 714.3
360RR024	0	X	0	0	790.6	938.2	369.9	406.4	595.3	436.6	587.4	587.4	295.3	15.9	74.6	152.4	80.0	88.2	1090.2 X 457.7 X 866.7
360RR030	0	X	0	0	944.6	1131.9	433.4	468.3	714.7	498.5	741.4	741.4	403.2	19.0	87.3	165.1	85.0	95.4	1282.7 X 520.7 X 1020.7
360RR036	0	X	0	X	944.6	1131.9	433.4	468.3	714.7	498.5	741.4	741.4	403.2	19.0	87.3	165.1	115.9	115.9	1282.7 X 520.7 X 1020.7
360RR048	0	X	0	X	1097.0	1131.9	433.4	468.3	714.7	498.5	833.8	833.8	419.4	22.2	87.3	165.1	126.4	137.7	1282.7 X 520.7 X 1173.1
360RR060	0	X	0	X	1097.0	1131.9	433.4	468.3	714.7	498.5	833.8	833.8	419.4	22.2	87.3	165.1	139.0	150.4	1282.7 X 520.7 X 1173.1

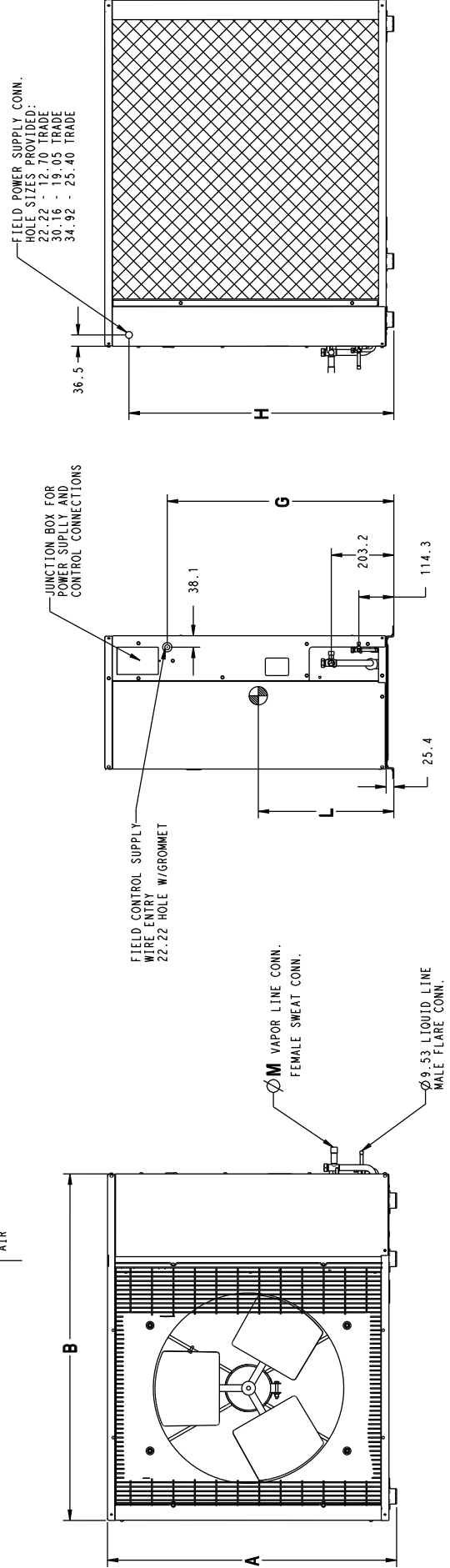
X = YES  
O = NO

460-3-60
208/230-3-60
230-1-60
208-230-1-60

- REQUIRED CLEARANCES: WITH COIL FACING WALL: ALLOW 152.4 MIN CLEARANCE ON COIL SIDE AND COIL END AND 914.4 MIN CLEARANCE ON COMPRESSOR END AND FAN SIDE. WITH FAN FACING WALL: ALLOW 203.2 MIN CLEARANCE ON FAN SIDE AND COIL END AND 914.4 MIN CLEARANCE ON COMPRESSOR END AND COIL SIDE. WITH MULTI UNIT APPLICATION: ARRANGE UNITS SO DISCHARGE OF ONE DOES NOT ENTER INLET OF ANOTHER.
- MINIMUM OUTDOOR OPERATING AMBIENT IN COOLING MODE IS 12.8°C, MAX. 51.7°C.
- SERIES DESIGNATION IS THE 13TH POSITION OF THE UNIT MODEL NUMBER.
- CENTER OF GRAVITY
- ALL DIMENSIONS ARE IN "MM" UNLESS NOTED.

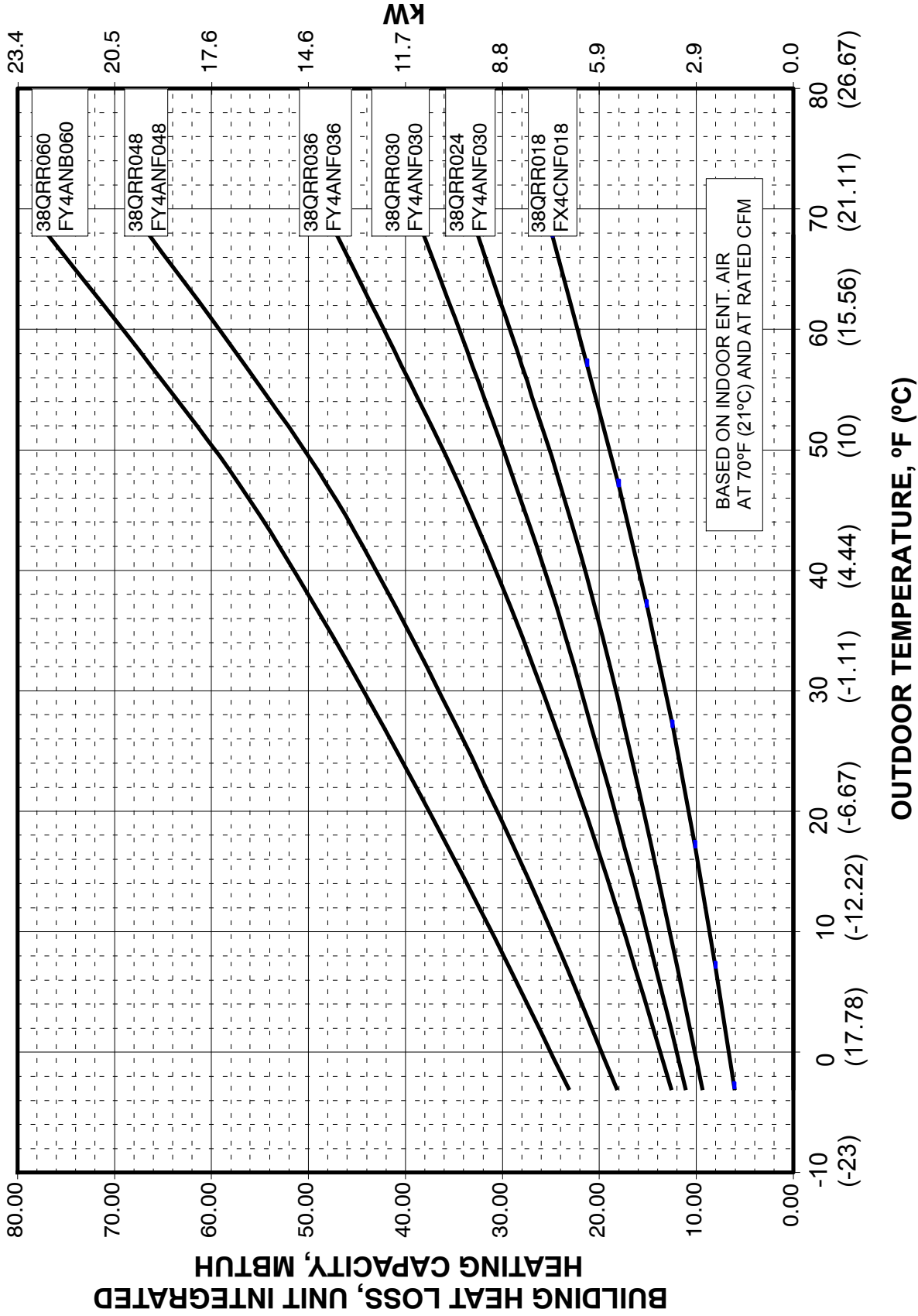


UNIT SIZE	MINIMUM MOUNTING PAD DIMENSIONS
18.24	584.2 X 1066.8
30, 36, 48, 60	609.6 X 1270.0



38QRR

38QRR BALANCE POINT WORKSHEET



# COMBINATION RATINGS

AHR Ref. No.	Model Number	Coil Model Number	Furnace Model Number	Cooling Capacity	EER	SEER	High Temp		HSPF	Low Temp	
							E Capacity	E COP		H Capacity	H COP
3835696	38QRR018---3	†FB4CNF018+TXV		17,600	11.0	13.0	18,000	3.60	7.8	10,100	2.34
1146169	38QRR018---3	CAP**1814A**	58CV(A,X)070-12	17,600	11.5	13.5	17,600	3.46	7.7	9,700	2.32
3015613	38QRR018---3	CAP**1814A**	58PH*045-08	17,600	11.0	13.0	17,600	3.46	7.7	10,000	2.30
1146171	38QRR018---3	CAP**2414A**	58CV(A,X)070-12	17,800	11.0	13.5	18,000	3.54	7.8	9,900	2.32
3015614	38QRR018---3	CAP**2414A**	58PH*045-08	17,800	11.0	13.5	18,000	3.66	8.0	10,100	2.36
1146175	38QRR018---3	CAP**2417A**	58CV(A,X)090-16	17,800	11.0	13.5	18,000	3.56	7.8	9,900	2.34
3618286	38QRR018---3	CAP**2417A**	58ME(B,C)040-12	17,800	11.0	13.5	18,000	3.80	8.0	10,100	2.44
3112780	38QRR018---3	CAP**2417A**	58ME(B,C)060-12	17,800	11.0	13.5	18,000	3.72	8.0	10,000	2.40
3112779	38QRR018---3	CAP**2417A**	58MEB040-12	17,800	11.0	13.5	18,000	3.80	8.0	10,100	2.44
1392165	38QRR018---3	CAP**2417A**	58MV(B,C)060-14	17,800	11.0	13.5	18,000	3.54	7.8	9,900	2.32
3757310	38QRR018---3	CAP**2417A**	58UVB060-14	17,800	11.0	13.5	18,000	3.54	7.8	9,900	2.32
3835683	38QRR018---3	CAP**2417A**	58VLR105-12	17,800	11.0	13.5	18,000	3.72	8.0	10,000	2.40
3835682	38QRR018---3	CAP**2417A**	58VMR105-12	17,800	11.0	13.5	18,000	3.60	7.8	10,000	2.34
4209382	38QRR018---3	CAP**2417A**	OVLAAB036098	17,800	11.5	13.5	18,000	3.66	8.0	10,000	2.36
4209381	38QRR018---3	CAP**2417A**	OVMAAB036098	17,800	11.5	13.5	18,000	3.72	8.0	10,100	2.38
1146189	38QRR018---3	CNPH*2417A**	58CV(A,X)070-12	17,800	11.0	13.5	18,000	3.60	7.8	10,000	2.34
1146191	38QRR018---3	CNPH*2417A**	58CV(A,X)090-16	17,800	11.0	13.5	18,000	3.64	8.0	10,000	2.34
4209387	38QRR018---3	CNPH*2417A**	58HDV040--12	17,800	11.0	13.0	18,000	3.76	8.0	10,300	2.36
4209388	38QRR018---3	CNPH*2417A**	58HDV060--12	17,800	11.0	13.0	18,000	3.76	8.0	10,300	2.38
3618288	38QRR018---3	CNPH*2417A**	58ME(B,C)040-12	17,800	11.0	13.5	18,000	3.82	8.0	10,100	2.42
3112784	38QRR018---3	CNPH*2417A**	58ME(B,C)060-12	17,800	11.0	13.5	18,000	3.72	8.0	10,000	2.38
3112783	38QRR018---3	CNPH*2417A**	58MEB040-12	17,800	11.0	13.5	18,000	3.82	8.0	10,100	2.42
1392169	38QRR018---3	CNPH*2417A**	58MV(B,C)060-14	17,800	11.0	13.5	18,000	3.62	7.8	10,000	2.34
1393580	38QRR018---3	CNPH*2417A**	58MV(B,C)080-14	17,800	11.0	13.5	18,000	3.60	7.8	9,900	2.34
3015617	38QRR018---3	CNPH*2417A**	58PH*045-08	17,800	11.0	13.5	18,000	3.70	8.0	10,100	2.36
3835693	38QRR018---3	CNPH*2417A**	58VLR105-12	17,800	11.0	13.5	18,000	3.76	8.0	10,100	2.40
3835692	38QRR018---3	CNPH*2417A**	58VMR105-12	17,800	11.0	13.5	18,000	3.64	7.8	10,000	2.36
4209390	38QRR018---3	CNPH*2417A**	OVLAAB036098	17,800	11.5	13.5	18,000	3.70	8.0	10,100	2.36
4209389	38QRR018---3	CNPH*2417A**	OVMAAB036098	17,800	11.5	13.5	18,000	3.74	8.0	10,200	2.38
1146177	38QRR018---3	CNPV*1814A**	58CV(A,X)070-12	17,600	11.0	13.0	18,000	3.52	7.8	9,900	2.30
3015615	38QRR018---3	CNPV*1814A**	58PH*045-08	17,600	11.0	13.0	17,600	3.58	7.8	10,000	2.32
3835685	38QRR018---3	CNPV*1917A**	58CV(A,X)090-16	17,800	11.0	13.5	18,000	3.66	7.8	10,000	2.36
3835687	38QRR018---3	CNPV*1917A**	58ME(B,C)060-12	17,800	11.0	13.5	18,000	3.84	8.0	10,100	2.44
3835686	38QRR018---3	CNPV*1917A**	58MEB040-12	17,800	11.0	13.5	18,000	3.92	8.0	10,100	2.46
3835684	38QRR018---3	CNPV*1917A**	58MV(B,C)060-14	17,800	11.0	13.5	18,000	3.64	7.8	10,000	2.36
4706939	38QRR018---3	CNPV*1917A**	58UVB060-14	17,800	11.3	13.5	18,100	3.64	7.8	9,900	2.36
3835689	38QRR018---3	CNPV*1917A**	58VLR105-12	17,800	11.0	13.5	18,000	3.84	8.0	10,100	2.42
3835688	38QRR018---3	CNPV*1917A**	58VMR105-12	17,800	11.0	13.5	18,000	3.70	8.0	10,000	2.38
4209384	38QRR018---3	CNPV*1917A**	OVLAAB036098	17,800	11.5	13.5	18,000	3.78	8.0	10,100	2.40
4209383	38QRR018---3	CNPV*1917A**	OVMAAB036098	17,800	11.5	13.5	18,000	3.82	8.0	10,100	2.40
1146179	38QRR018---3	CNPV*2414A**	58CV(A,X)070-12	17,800	11.0	13.5	18,000	3.60	7.8	10,000	2.34
3015616	38QRR018---3	CNPV*2414A**	58PH*045-08	17,800	11.0	13.5	18,000	3.70	8.0	10,100	2.36
1146209	38QRR018---3	CNPV*2417A**	58CV(A,X)090-16	17,800	11.0	13.5	18,000	3.62	8.0	10,000	2.34
3618287	38QRR018---3	CNPV*2417A**	58ME(B,C)040-12	17,800	11.0	13.5	18,000	3.82	8.0	10,100	2.42
3112782	38QRR018---3	CNPV*2417A**	58ME(B,C)060-12	17,800	11.0	13.5	18,000	3.72	8.0	10,000	2.38
3112781	38QRR018---3	CNPV*2417A**	58MEB040-12	17,800	11.0	13.5	18,000	3.82	8.0	10,100	2.42
1392167	38QRR018---3	CNPV*2417A**	58MV(B,C)060-14	17,800	11.0	13.5	18,000	3.62	7.8	9,900	2.34
3758649	38QRR018---3	CNPV*2417A**	58UVB060-14	17,800	11.0	13.5	18,000	3.62	7.8	9,900	2.34
3835691	38QRR018---3	CNPV*2417A**	58VLR105-12	17,800	11.0	13.5	18,000	3.76	8.0	10,100	2.40
3835690	38QRR018---3	CNPV*2417A**	58VMR105-12	17,800	11.0	13.5	18,000	3.64	7.8	10,000	2.36
4209386	38QRR018---3	CNPV*2417A**	OVLAAB036098	17,800	11.5	13.5	18,000	3.70	8.0	10,100	2.36
4209385	38QRR018---3	CNPV*2417A**	OVMAAB036098	17,800	11.5	13.5	18,000	3.74	8.0	10,200	2.38
1146199	38QRR018---3	CSPH*2412A**	58CV(A,X)070-12	17,800	11.0	13.5	18,000	3.58	7.8	10,000	2.32
1146201	38QRR018---3	CSPH*2412A**	58CV(A,X)090-16	17,800	11.0	13.5	18,000	3.60	7.8	10,000	2.34
4209391	38QRR018---3	CSPH*2412A**	58HDV040--12	17,800	11.0	13.0	18,000	3.74	8.0	10,300	2.36
4209392	38QRR018---3	CSPH*2412A**	58HDV060--12	17,800	11.0	13.0	18,000	3.76	8.0	10,300	2.38
3618289	38QRR018---3	CSPH*2412A**	58ME(B,C)040-12	17,800	11.0	13.5	18,000	3.76	8.0	10,100	2.40
3112786	38QRR018---3	CSPH*2412A**	58ME(B,C)060-12	17,800	11.0	13.5	18,000	3.64	8.0	9,900	2.36
3112785	38QRR018---3	CSPH*2412A**	58MEB040-12	17,800	11.0	13.5	18,000	3.76	8.0	10,100	2.40
1392171	38QRR018---3	CSPH*2412A**	58MV(B,C)060-14	17,800	11.0	13.5	18,000	3.60	7.8	10,000	2.34
1393582	38QRR018---3	CSPH*2412A**	58MV(B,C)080-14	17,800	11.0	13.5	18,000	3.58	7.8	9,900	2.32
3015618	38QRR018---3	CSPH*2412A**	58PH*045-08	17,800	11.0	13.5	18,000	3.66	8.0	10,100	2.36
3835695	38QRR018---3	CSPH*2412A**	58VLR105-12	17,800	11.0	13.5	18,000	3.76	8.0	10,100	2.40
3835694	38QRR018---3	CSPH*2412A**	58VMR105-12	17,800	11.0	13.5	18,000	3.62	7.8	10,000	2.34
4209394	38QRR018---3	CSPH*2412A**	OVLAAB036098	17,800	11.5	13.5	18,000	3.68	8.0	10,100	2.36
4209393	38QRR018---3	CSPH*2412A**	OVMAAB036098	17,800	11.5	13.5	18,000	3.74	8.0	10,200	2.38
3835697	38QRR018---3	FB4CNF024+TXV		17,800	11.0	13.0	18,000	3.58	7.8	10,100	2.32
1146205	38QRR018---3	FE4ANF002+UI		18,000	11.0	13.5	18,200	3.70	8.0	10,000	2.38
3405874	38QRR018---3	FV4CNF002		18,000	11.0	13.5	18,200	3.70	8.0	10,000	2.38
3835700	38QRR018---3	FX4DN(B,F)031		18,200	11.0	13.0	18,400	3.66	7.8	10,200	2.34
3835698	38QRR018---3	FX4DNF019		18,000	11.0	13.5	18,200	3.74	8.0	10,100	2.40
3835699	38QRR018---3	FX4DNF025		18,100	11.0	13.5	18,200	3.72	8.0	10,100	2.40
3835674	38QRR024---3	†FY5BNF024+TXV		23,000	11.0	13.0	23,800	3.86	8.0	14,300	2.52
1146225	38QRR024---3	CAP**2414A**	58CV(A,X)070-12	23,000	11.5	14.0	23,400	3.72	8.0	13,800	2.50
3015620	38QRR024---3	CAP**2414A**	58PH*045-08	23,000	11.5	14.0	23,400	3.88	8.5	14,100	2.56
1258590	38QRR024---3	CAP**2414A**+TDR		23,000	11.0	13.0	24,000	3.74	8.0	14,700	2.44
1146351	38QRR024---3	CAP**2417A**	58CV(A,X)070-12	23,000	12.0	14.0	23,600	3.74	8.0	13,800	2.52
1146229	38QRR024---3	CAP**2417A**	58CV(A,X)090-16	23,000	12.0	14.0	23,400	3.78	8.5	13,800	2.54

See notes on page 40

38QRR

# COMBINATION RATINGS CONTINUED

AHR Ref. No.	Model Number	Coil Model Number	Furnace Model Number	Cooling Capacity	EER	SEER	High Temp		HSPF	Low Temp	
							E Capacity	E COP		H Capacity	H COP
3618263	38QRR024---3	CAP**2417A**	58ME(B,C)040-12	23,000	12.0	14.5	23,400	4.04	8.5	14,100	2.64
3112654	38QRR024---3	CAP**2417A**	58ME(B,C)060-12	23,000	12.0	14.5	23,400	4.04	8.5	14,100	2.64
3112655	38QRR024---3	CAP**2417A**	58ME(B,C)080-12	23,000	12.0	14.5	23,400	4.00	8.5	14,000	2.62
3112653	38QRR024---3	CAP**2417A**	58MEB040-12	23,000	12.0	14.5	23,400	4.04	8.5	14,100	2.64
1392173	38QRR024---3	CAP**2417A**	58MV(B,C)060-14	23,000	11.5	14.0	23,400	3.74	8.5	13,800	2.52
1146227	38QRR024---3	CAP**2417A**	58MVB060-14	23,000	11.5	14.0	23,400	3.74	8.5	13,800	2.52
3757311	38QRR024---3	CAP**2417A**	58UVB060-14	23,000	11.5	14.0	23,400	3.74	8.5	13,800	2.52
3835633	38QRR024---3	CAP**2417A**	58VLR105-12	23,000	12.0	14.5	23,400	3.96	8.5	13,900	2.60
3835632	38QRR024---3	CAP**2417A**	58VMR105-12	23,000	12.0	14.5	23,400	3.84	8.5	13,800	2.56
4209396	38QRR024---3	CAP**2417A**	OVLAAB036098	23,000	11.0	13.5	23,400	3.74	8.0	14,200	2.46
4209395	38QRR024---3	CAP**2417A**	OVMAAB036098	23,000	11.0	13.5	23,400	3.72	8.0	14,300	2.46
4209397	38QRR024---3	CAP**2417A**	OVMAAB042112	23,000	11.0	13.5	23,400	3.72	8.0	14,100	2.48
1258592	38QRR024---3	CAP**2417A**+TDR		23,000	11.0	13.0	24,000	3.74	8.0	14,700	2.44
1146233	38QRR024---3	CAP**3014A**	58CV(A,X)070-12	23,400	12.0	14.0	23,600	3.76	8.5	13,900	2.52
3015621	38QRR024---3	CAP**3014A**	58PH*045-08	23,400	12.0	14.5	23,600	3.92	8.5	14,100	2.60
1146231	38QRR024---3	CAP**3014A**+TDR		23,400	11.0	13.0	24,400	3.66	8.0	14,700	2.42
1146353	38QRR024---3	CAP**3017A**	58CV(A,X)070-12	23,400	12.0	14.5	23,400	3.76	8.5	13,800	2.54
1146239	38QRR024---3	CAP**3017A**	58CV(A,X)090-16	23,400	12.0	14.5	23,600	3.80	8.5	13,800	2.56
3618264	38QRR024---3	CAP**3017A**	58ME(B,C)040-12	23,400	12.0	14.5	23,600	4.10	8.5	14,100	2.68
3112657	38QRR024---3	CAP**3017A**	58ME(B,C)060-12	23,400	12.0	14.5	23,600	4.10	8.5	14,100	2.68
3112658	38QRR024---3	CAP**3017A**	58ME(B,C)080-12	23,400	12.0	14.5	23,600	4.04	8.5	14,100	2.66
3112656	38QRR024---3	CAP**3017A**	58MEB040-12	23,400	12.0	14.5	23,600	4.10	8.5	14,100	2.68
1392175	38QRR024---3	CAP**3017A**	58MV(B,C)060-14	23,400	12.0	14.5	23,600	3.78	8.5	13,800	2.54
1146237	38QRR024---3	CAP**3017A**	58MVB060-14	23,400	12.0	14.5	23,600	3.78	8.5	13,800	2.54
3757312	38QRR024---3	CAP**3017A**	58UVB060-14	23,400	12.0	14.5	23,600	3.78	8.5	13,800	2.54
3835635	38QRR024---3	CAP**3017A**	58VLR105-12	23,400	12.0	14.5	23,600	4.00	8.5	14,000	2.62
3835634	38QRR024---3	CAP**3017A**	58VMR105-12	23,400	12.0	14.5	23,600	3.90	8.5	13,800	2.58
4209399	38QRR024---3	CAP**3017A**	OVLAAB036098	23,000	11.0	13.5	23,400	3.78	8.0	14,200	2.50
4209398	38QRR024---3	CAP**3017A**	OVMAAB036098	23,000	11.0	13.5	23,400	3.76	8.0	14,300	2.48
4209400	38QRR024---3	CAP**3017A**	OVMAAB042112	23,000	11.0	13.5	23,400	3.78	8.0	14,100	2.50
1146235	38QRR024---3	CAP**3017A**+TDR		23,400	11.0	13.0	24,400	3.66	8.0	14,700	2.42
3835680	38QRR024---3	CAP**3619A**	58HDV040--12	23,400	11.5	14.0	23,800	4.00	8.5	14,300	2.60
3835681	38QRR024---3	CAP**3619A**	58HDV060--12	23,400	11.5	14.0	23,800	4.06	8.5	14,400	2.62
3835679	38QRR024---3	CAP**3619A**+TDR		23,400	11.0	13.0	23,800	3.80	8.5	14,700	2.46
1146269	38QRR024---3	CNPH*2417A**	58CV(A,X)070-12	23,000	11.5	14.0	23,400	3.78	8.5	13,900	2.52
1146271	38QRR024---3	CNPH*2417A**	58CV(A,X)090-16	23,000	11.5	14.0	23,400	3.82	8.5	13,900	2.54
1146273	38QRR024---3	CNPH*2417A**	58CV(A,X)110-20	23,000	11.5	14.0	23,400	3.84	8.5	13,900	2.54
1146275	38QRR024---3	CNPH*2417A**	58CV(A,X)135-22	23,000	11.5	14.0	23,400	3.84	8.5	13,900	2.54
1146277	38QRR024---3	CNPH*2417A**	58CV(A,X)155-22	23,000	11.5	14.0	23,400	3.84	8.5	13,900	2.54
3835643	38QRR024---3	CNPH*2417A**	58HDV040--12	23,000	11.5	14.0	23,400	3.90	8.5	14,200	2.54
3835644	38QRR024---3	CNPH*2417A**	58HDV060--12	23,000	11.5	14.0	23,400	3.96	8.5	14,300	2.56
3835645	38QRR024---3	CNPH*2417A**	58HDV080--20	23,000	11.5	14.0	23,400	4.08	8.5	14,400	2.62
3835646	38QRR024---3	CNPH*2417A**	58HDV100--20	23,000	11.5	14.0	23,400	4.04	8.5	14,200	2.60
3618267	38QRR024---3	CNPH*2417A**	58ME(B,C)040-12	23,000	12.0	14.5	23,400	4.02	8.5	14,100	2.62
3112666	38QRR024---3	CNPH*2417A**	58ME(B,C)060-12	23,000	12.0	14.5	23,400	4.04	8.5	14,100	2.62
3112667	38QRR024---3	CNPH*2417A**	58ME(B,C)080-12	23,000	12.0	14.5	23,400	4.00	8.5	14,000	2.62
3112665	38QRR024---3	CNPH*2417A**	58MEB040-12	23,000	12.0	14.5	23,400	4.02	8.5	14,100	2.62
1392181	38QRR024---3	CNPH*2417A**	58MV(B,C)060-14	23,000	11.5	14.0	23,400	3.80	8.5	13,900	2.52
1393584	38QRR024---3	CNPH*2417A**	58MV(B,C)080-14	23,000	11.5	14.0	23,400	3.80	8.5	14,000	2.52
1395117	38QRR024---3	CNPH*2417A**	58MV(B,C)080-20	23,000	11.5	14.0	23,400	3.78	8.5	13,900	2.52
1396859	38QRR024---3	CNPH*2417A**	58MV(B,C)100-20	23,000	11.5	14.0	23,400	3.80	8.5	14,000	2.52
1398513	38QRR024---3	CNPH*2417A**	58MV(B,C)120-20	23,000	11.5	14.0	23,400	3.78	8.5	13,900	2.52
1146257	38QRR024---3	CNPH*2417A**	58MVB040-14	23,000	11.5	14.0	23,400	3.80	8.5	14,000	2.52
1146259	38QRR024---3	CNPH*2417A**	58MVB060-14	23,000	11.5	14.0	23,400	3.80	8.5	13,900	2.52
1146261	38QRR024---3	CNPH*2417A**	58MVB080-14	23,000	11.5	14.0	23,400	3.80	8.5	14,000	2.52
1146263	38QRR024---3	CNPH*2417A**	58MVB080-20	23,000	11.5	14.0	23,400	3.78	8.5	13,900	2.52
1146265	38QRR024---3	CNPH*2417A**	58MVB100-20	23,000	11.5	14.0	23,400	3.80	8.5	14,000	2.52
1146267	38QRR024---3	CNPH*2417A**	58MVB120-20	23,000	11.5	14.0	23,400	3.78	8.5	13,900	2.52
3015624	38QRR024---3	CNPH*2417A**	58PH*045-08	23,000	11.5	14.0	23,400	3.92	8.5	14,100	2.56
3835648	38QRR024---3	CNPH*2417A**	58VLR105-12	23,000	11.5	14.0	23,400	4.00	8.5	14,000	2.60
3835647	38QRR024---3	CNPH*2417A**	58VMR105-12	23,000	11.5	14.0	23,400	3.88	8.5	13,900	2.54
4209411	38QRR024---3	CNPH*2417A**	OVLAAB036098	23,000	11.0	13.5	23,400	3.76	8.0	14,300	2.46
4209410	38QRR024---3	CNPH*2417A**	OVMAAB036098	23,000	11.0	13.5	23,400	3.76	8.0	14,400	2.46
4209412	38QRR024---3	CNPH*2417A**	OVMAAB042112	23,000	11.0	13.5	23,400	3.76	8.0	14,200	2.48
1258598	38QRR024---3	CNPH*2417A**+TDR		23,000	11.0	13.0	24,000	3.82	8.0	14,700	2.46
1146293	38QRR024---3	CNPH*3017A**	58CV(A,X)070-12	23,400	12.0	14.5	23,600	3.78	8.5	13,900	2.54
1146295	38QRR024---3	CNPH*3017A**	58CV(A,X)090-16	23,400	12.0	14.5	23,600	3.82	8.5	13,800	2.56
1146297	38QRR024---3	CNPH*3017A**	58CV(A,X)110-20	23,400	12.0	14.5	23,600	3.82	8.5	13,900	2.56
1146299	38QRR024---3	CNPH*3017A**	58CV(A,X)135-22	23,400	12.0	14.5	23,600	3.82	8.5	13,900	2.56
1146301	38QRR024---3	CNPH*3017A**	58CV(A,X)155-22	23,400	12.0	14.5	23,600	3.82	8.5	13,900	2.56
3835649	38QRR024---3	CNPH*3017A**	58HDV040--12	23,400	11.5	14.0	23,600	3.96	8.5	14,200	2.58
3835650	38QRR024---3	CNPH*3017A**	58HDV060--12	23,400	11.5	14.0	23,600	4.04	8.5	14,300	2.62
3835651	38QRR024---3	CNPH*3017A**	58HDV100--20	23,400	12.0	14.5	23,600	4.14	8.5	14,300	2.68
3618268	38QRR024---3	CNPH*3017A**	58ME(B,C)040-12	23,400	12.0	14.5	23,600	4.08	8.5	14,100	2.68
3112669	38QRR024---3	CNPH*3017A**	58ME(B,C)060-12	23,400	12.0	14.5	23,600	4.10	8.5	14,100	2.68
3112670	38QRR024---3	CNPH*3017A**	58ME(B,C)080-12	23,400	12.0	14.5	23,600	4.06	8.5	14,100	2.66
3112668	38QRR024---3	CNPH*3017A**	58MEB040-12	23,400	12.0	14.5	23,600	4.08	8.5	14,100	2.68
1392183	38QRR024---3	CNPH*3017A**	58MV(B,C)060-14	23,400	12.0	14.5	23,600	3.78	8.5	13,900	2.54
1393586	38QRR024---3	CNPH*3017A**	58MV(B,C)080-14	23,400	12.0	14.5	23,600	3.80	8.5	13,900	2.54

See notes on page 40

# COMBINATION RATINGS CONTINUED

AHR Ref. No.	Model Number	Coil Model Number	Furnace Model Number	Cooling Capacity	EER	SEER	High Temp		HSPF	Low Temp	
							E Capacity	E COP		H Capacity	H COP
1395119	38QRR024---3	CNPH*3017A**	58MV(B,C)080-20	23,400	12.0	14.5	23,600	3.80	8.5	13,900	2.54
1396861	38QRR024---3	CNPH*3017A**	58MV(B,C)100-20	23,400	12.0	14.5	23,600	3.82	8.5	13,900	2.56
1398515	38QRR024---3	CNPH*3017A**	58MV(B,C)120-20	23,400	12.0	14.5	23,600	3.78	8.5	13,900	2.54
1146281	38QRR024---3	CNPH*3017A**	58MVB040-14	23,400	12.0	14.5	23,600	3.80	8.5	13,900	2.54
1146283	38QRR024---3	CNPH*3017A**	58MVB060-14	23,400	12.0	14.5	23,600	3.78	8.5	13,900	2.54
1146285	38QRR024---3	CNPH*3017A**	58MVB080-14	23,400	12.0	14.5	23,600	3.80	8.5	13,900	2.54
1146287	38QRR024---3	CNPH*3017A**	58MVB080-20	23,400	12.0	14.5	23,600	3.80	8.5	13,900	2.54
1146289	38QRR024---3	CNPH*3017A**	58MVB100-20	23,400	12.0	14.5	23,600	3.82	8.5	13,900	2.56
1146291	38QRR024---3	CNPH*3017A**	58MVB120-20	23,400	12.0	14.5	23,600	3.78	8.5	13,900	2.54
3015625	38QRR024---3	CNPH*3017A**	58PH*045-08	23,400	12.0	14.5	23,600	3.96	8.5	14,100	2.60
3835653	38QRR024---3	CNPH*3017A**	58VLR105-12	23,400	12.0	14.5	23,600	4.00	8.5	14,000	2.62
3835652	38QRR024---3	CNPH*3017A**	58VMR105-12	23,400	12.0	14.5	23,600	3.90	8.5	13,900	2.58
4209414	38QRR024---3	CNPH*3017A**	OVLAAB036098	23,000	11.0	13.5	23,400	3.78	8.0	14,200	2.50
4209413	38QRR024---3	CNPH*3017A**	OVMAAB036098	23,000	11.0	13.5	23,400	3.78	8.0	14,300	2.48
4209415	38QRR024---3	CNPH*3017A**	OVMAAB042112	23,000	11.5	14.0	23,400	3.78	8.2	14,100	2.50
1146279	38QRR024---3	CNPH*3017A**+TDR		23,400	11.0	13.0	24,400	3.66	8.0	14,700	2.42
3835655	38QRR024---3	CNPH*3117A**	58HDV040--12	23,600	12.0	14.5	23,800	4.12	8.5	14,300	2.64
3835656	38QRR024---3	CNPH*3117A**	58HDV060--12	23,600	12.0	14.5	23,800	4.20	8.5	14,500	2.68
3835657	38QRR024---3	CNPH*3117A**	58HDV100--20	23,600	12.0	14.5	23,800	4.34	8.5	14,500	2.74
3835659	38QRR024---3	CNPH*3117A**	58VLR105-12	23,600	12.0	14.5	23,800	4.16	8.5	14,100	2.68
3835658	38QRR024---3	CNPH*3117A**	58VMR105-12	23,600	12.0	14.5	23,800	4.06	8.5	14,000	2.64
4209417	38QRR024---3	CNPH*3117A**	OVLAAB036098	23,000	11.5	14.0	23,400	3.94	8.2	14,300	2.56
4209416	38QRR024---3	CNPH*3117A**	OVMAAB036098	23,000	11.5	14.0	23,400	3.92	8.2	14,400	2.54
4209418	38QRR024---3	CNPH*3117A**	OVMAAB042112	23,000	11.5	14.0	23,400	3.92	8.2	14,200	2.56
3835654	38QRR024---3	CNPH*3117A**+TDR		23,600	11.0	13.0	23,800	3.92	8.5	14,800	2.52
1146241	38QRR024---3	CNPV*2414A**	58CV(A,X)070-12	23,000	11.5	14.0	23,400	3.78	8.0	13,900	2.52
3015622	38QRR024---3	CNPV*2414A**	58PH*045-08	23,000	11.5	14.0	23,400	3.92	8.5	14,100	2.56
1258594	38QRR024---3	CNPV*2414A**+TDR		23,000	11.0	13.0	24,000	3.82	8.0	14,700	2.46
1146355	38QRR024---3	CNPV*2417A**	58CV(A,X)070-12	23,000	12.0	14.0	23,400	3.78	8.5	13,900	2.52
1146245	38QRR024---3	CNPV*2417A**	58CV(A,X)090-16	23,000	11.5	14.0	23,400	3.82	8.5	13,900	2.54
3618265	38QRR024---3	CNPV*2417A**	58ME(B,C)040-12	23,000	12.0	14.5	23,400	4.02	8.5	14,100	2.62
3112660	38QRR024---3	CNPV*2417A**	58ME(B,C)060-12	23,000	12.0	14.5	23,400	4.04	8.5	14,100	2.62
3112661	38QRR024---3	CNPV*2417A**	58ME(B,C)080-12	23,000	12.0	14.5	23,400	4.00	8.5	14,000	2.62
3112659	38QRR024---3	CNPV*2417A**	58MEB040-12	23,000	12.0	14.5	23,400	4.02	8.5	14,100	2.62
1392177	38QRR024---3	CNPV*2417A**	58MV(B,C)060-14	23,000	11.5	14.0	23,400	3.80	8.5	13,900	2.52
1146243	38QRR024---3	CNPV*2417A**	58MVB060-14	23,000	11.5	14.0	23,400	3.80	8.5	13,900	2.52
3758650	38QRR024---3	CNPV*2417A**	58UVB060-14	23,000	11.5	14.0	23,400	3.80	8.5	13,900	2.52
3835637	38QRR024---3	CNPV*2417A**	58VLR105-12	23,000	11.5	14.0	23,400	4.00	8.5	14,000	2.60
3835636	38QRR024---3	CNPV*2417A**	58VMR105-12	23,000	11.5	14.0	23,400	3.88	8.5	13,900	2.54
4209402	38QRR024---3	CNPV*2417A**	OVLAAB036098	23,000	11.0	13.5	23,400	3.76	8.0	14,300	2.46
4209401	38QRR024---3	CNPV*2417A**	OVMAAB036098	23,000	11.0	13.0	23,400	3.76	8.0	14,400	2.46
4209403	38QRR024---3	CNPV*2417A**	OVMAAB042112	23,000	11.0	13.5	23,400	3.76	8.0	14,200	2.48
1258596	38QRR024---3	CNPV*2417A**+TDR		23,000	11.0	13.0	24,000	3.82	8.0	14,700	2.46
1146249	38QRR024---3	CNPV*3014A**	58CV(A,X)070-12	23,400	12.0	14.0	23,600	3.76	8.5	13,900	2.52
3015623	38QRR024---3	CNPV*3014A**	58PH*045-08	23,400	12.0	14.5	23,600	3.90	8.5	14,100	2.58
1146247	38QRR024---3	CNPV*3014A**+TDR		23,400	11.0	13.0	24,400	3.66	8.0	14,700	2.42
1146357	38QRR024---3	CNPV*3017A**	58CV(A,X)070-12	23,400	12.0	14.5	23,600	3.78	8.5	13,900	2.54
1146255	38QRR024---3	CNPV*3017A**	58CV(A,X)090-16	23,400	12.0	14.5	23,400	3.82	8.5	13,800	2.56
3618266	38QRR024---3	CNPV*3017A**	58ME(B,C)040-12	23,400	12.0	14.5	23,600	4.08	8.5	14,100	2.68
3112663	38QRR024---3	CNPV*3017A**	58ME(B,C)060-12	23,400	12.0	14.5	23,600	4.10	8.5	14,100	2.68
3112664	38QRR024---3	CNPV*3017A**	58ME(B,C)080-12	23,400	12.0	14.5	23,600	4.06	8.5	14,100	2.66
3112662	38QRR024---3	CNPV*3017A**	58MEB040-12	23,400	12.0	14.5	23,600	4.08	8.5	14,100	2.68
1392179	38QRR024---3	CNPV*3017A**	58MV(B,C)060-14	23,400	12.0	14.5	23,600	3.78	8.5	13,900	2.54
1146253	38QRR024---3	CNPV*3017A**	58MVB060-14	23,400	12.0	14.5	23,600	3.78	8.5	13,900	2.54
3758651	38QRR024---3	CNPV*3017A**	58UVB060-14	23,400	12.0	14.5	23,600	3.78	8.5	13,900	2.54
3835639	38QRR024---3	CNPV*3017A**	58VLR105-12	23,400	12.0	14.5	23,600	4.00	8.5	14,000	2.62
3835638	38QRR024---3	CNPV*3017A**	58VMR105-12	23,400	12.0	14.5	23,600	3.90	8.5	13,900	2.58
4209405	38QRR024---3	CNPV*3017A**	OVLAAB036098	23,000	11.0	13.5	23,400	3.78	8.0	14,200	2.50
4209404	38QRR024---3	CNPV*3017A**	OVMAAB036098	23,000	11.0	13.5	23,400	3.78	8.0	14,300	2.48
4209406	38QRR024---3	CNPV*3017A**	OVMAAB042112	23,000	11.5	14.0	23,400	3.78	8.2	14,100	2.50
3835642	38QRR024---3	CNPV*3117A**	58VLR105-12	23,600	12.0	14.5	23,800	4.16	8.5	14,100	2.68
3835641	38QRR024---3	CNPV*3117A**	58VMR105-12	23,600	12.0	14.5	23,800	4.06	8.5	14,000	2.64
4209408	38QRR024---3	CNPV*3117A**	OVLAAB036098	23,000	11.5	14.0	23,400	3.94	8.2	14,300	2.54
4209407	38QRR024---3	CNPV*3117A**	OVMAAB036098	23,000	11.0	13.5	23,400	3.92	8.0	14,400	2.54
4209409	38QRR024---3	CNPV*3117A**	OVMAAB042112	23,000	11.5	14.0	23,400	3.92	8.2	14,200	2.56
3835640	38QRR024---3	CNPV*3117A**+TDR		23,600	11.0	13.0	23,800	3.92	8.5	14,900	2.52
1146317	38QRR024---3	CSPH*2412A**	58CV(A,X)070-12	23,000	12.0	14.0	23,400	3.78	8.5	13,900	2.52
1146319	38QRR024---3	CSPH*2412A**	58CV(A,X)090-16	23,000	12.0	14.0	23,400	3.84	8.5	13,900	2.54
1146321	38QRR024---3	CSPH*2412A**	58CV(A,X)110-20	23,000	12.0	14.0	23,400	3.84	8.5	13,900	2.56
1146323	38QRR024---3	CSPH*2412A**	58CV(A,X)135-22	23,000	12.0	14.0	23,400	3.84	8.5	13,900	2.56
1146325	38QRR024---3	CSPH*2412A**	58CV(A,X)155-22	23,000	12.0	14.0	23,400	3.82	8.5	14,000	2.54
3835660	38QRR024---3	CSPH*2412A**	58HDV040--12	23,000	11.5	14.0	23,400	3.90	8.5	14,200	2.54
3835661	38QRR024---3	CSPH*2412A**	58HDV060--12	23,000	11.5	14.0	23,400	3.94	8.5	14,300	2.56
3835662	38QRR024---3	CSPH*2412A**	58HDV080--20	23,000	11.5	14.0	23,400	4.08	8.5	14,400	2.62
3835663	38QRR024---3	CSPH*2412A**	58HDV100--20	23,000	11.5	14.0	23,400	4.02	8.5	14,200	2.60
3618269	38QRR024---3	CSPH*2412A**	58ME(B,C)040-12	23,000	12.0	14.5	23,400	4.02	8.5	14,100	2.62
3112672	38QRR024---3	CSPH*2412A**	58ME(B,C)060-12	23,000	12.0	14.5	23,400	4.04	8.5	14,100	2.62
3112673	38QRR024---3	CSPH*2412A**	58ME(B,C)080-12	23,000	12.0	14.5	23,400	4.00	8.5	14,000	2.62
3112671	38QRR024---3	CSPH*2412A**	58MEB040-12	23,000	12.0	14.5	23,400	4.02	8.5	14,100	2.62

See notes on page 40

38QRR

# COMBINATION RATINGS CONTINUED

AHR Ref. No.	Model Number	Coil Model Number	Furnace Model Number	Cooling Capacity	EER	SEER	High Temp		HSPF	Low Temp	
							E Capacity	E COP		H Capacity	H COP
1392185	38QRR024---3	CSPH*2412A**	58MV(B,C)060-14	23,000	12.0	14.0	23,400	3.80	8.5	13,900	2.54
1393588	38QRR024---3	CSPH*2412A**	58MV(B,C)080-14	23,000	12.0	14.0	23,400	3.80	8.5	14,000	2.52
1395121	38QRR024---3	CSPH*2412A**	58MV(B,C)080-20	23,000	12.0	14.0	23,400	3.80	8.5	14,000	2.52
1396863	38QRR024---3	CSPH*2412A**	58MV(B,C)100-20	23,000	12.0	14.0	23,400	3.82	8.5	14,000	2.54
1398517	38QRR024---3	CSPH*2412A**	58MV(B,C)120-20	23,000	12.0	14.0	23,400	3.78	8.5	14,000	2.52
1146305	38QRR024---3	CSPH*2412A**	58MVB040-14	23,000	12.0	14.0	23,400	3.80	8.5	14,000	2.52
1146307	38QRR024---3	CSPH*2412A**	58MVB060-14	23,000	12.0	14.0	23,400	3.80	8.5	13,900	2.54
1146309	38QRR024---3	CSPH*2412A**	58MVB080-14	23,000	12.0	14.0	23,400	3.80	8.5	14,000	2.52
1146311	38QRR024---3	CSPH*2412A**	58MVB080-20	23,000	12.0	14.0	23,400	3.80	8.5	14,000	2.52
1146313	38QRR024---3	CSPH*2412A**	58MVB100-20	23,000	12.0	14.0	23,400	3.82	8.5	14,000	2.54
1146315	38QRR024---3	CSPH*2412A**	58MVB120-20	23,000	12.0	14.0	23,400	3.78	8.5	14,000	2.52
3015626	38QRR024---3	CSPH*2412A**	58PH*045-08	23,000	11.5	14.0	23,400	3.92	8.5	14,100	2.58
3835665	38QRR024---3	CSPH*2412A**	58VLR105-12	23,000	11.5	14.0	23,400	4.00	8.5	14,100	2.60
3835664	38QRR024---3	CSPH*2412A**	58VMR105-12	23,000	11.5	14.0	23,400	3.86	8.5	14,000	2.54
4209420	38QRR024---3	CSPH*2412A**	OVLAAB036098	23,000	11.0	13.5	23,400	3.76	8.0	14,400	2.46
4209419	38QRR024---3	CSPH*2412A**	OVMAAB036098	23,000	11.0	13.5	23,400	3.76	8.0	14,400	2.46
4209421	38QRR024---3	CSPH*2412A**	OVMAAB042112	23,000	11.0	13.5	23,400	3.76	8.0	14,200	2.48
1146303	38QRR024---3	CSPH*2412A**+TDR		23,000	11.0	13.0	24,000	3.74	8.0	14,700	2.44
1146341	38QRR024---3	CSPH*3012A**	58CV(A,X)070-12	23,400	12.0	14.5	25,400	3.76	8.5	13,900	2.52
1146343	38QRR024---3	CSPH*3012A**	58CV(A,X)090-16	23,400	12.0	14.5	25,400	3.80	8.5	13,900	2.56
1146345	38QRR024---3	CSPH*3012A**	58CV(A,X)110-20	23,400	12.0	14.5	25,400	3.80	8.5	13,900	2.54
1146347	38QRR024---3	CSPH*3012A**	58CV(A,X)135-22	23,400	12.0	14.5	25,400	3.80	8.5	13,900	2.54
1146349	38QRR024---3	CSPH*3012A**	58CV(A,X)155-22	23,400	12.0	14.5	25,400	3.80	8.5	13,900	2.54
3835666	38QRR024---3	CSPH*3012A**	58HDV040--12	23,400	11.5	14.0	23,600	3.94	8.5	14,200	2.58
3835667	38QRR024---3	CSPH*3012A**	58HDV060--12	23,400	11.5	14.0	23,600	4.00	8.5	14,300	2.60
3835668	38QRR024---3	CSPH*3012A**	58HDV080--20	23,400	11.5	14.0	23,600	4.14	8.5	14,400	2.66
3835669	38QRR024---3	CSPH*3012A**	58HDV100--20	23,400	12.0	14.5	23,600	4.12	8.5	14,300	2.66
3618270	38QRR024---3	CSPH*3012A**	58ME(B,C)040-12	23,400	12.0	14.5	23,600	4.06	8.5	14,100	2.66
3112675	38QRR024---3	CSPH*3012A**	58ME(B,C)060-12	23,400	12.0	14.5	23,600	4.08	8.5	14,100	2.66
3112676	38QRR024---3	CSPH*3012A**	58ME(B,C)080-12	23,400	12.0	14.5	23,600	4.02	8.5	14,100	2.64
3112674	38QRR024---3	CSPH*3012A**	58MEB040-12	23,400	12.0	14.5	23,600	4.06	8.5	14,100	2.66
1392187	38QRR024---3	CSPH*3012A**	58MV(B,C)060-14	23,400	12.0	14.5	25,400	3.78	8.5	13,900	2.54
1393590	38QRR024---3	CSPH*3012A**	58MV(B,C)080-14	23,400	12.0	14.5	25,400	3.78	8.5	13,900	2.54
1395123	38QRR024---3	CSPH*3012A**	58MV(B,C)080-20	23,400	12.0	14.5	25,400	3.78	8.5	13,900	2.54
1396865	38QRR024---3	CSPH*3012A**	58MV(B,C)100-20	23,400	12.0	14.5	23,400	3.80	8.5	13,900	2.54
1398519	38QRR024---3	CSPH*3012A**	58MV(B,C)120-20	23,400	12.0	14.5	25,400	3.76	8.5	13,900	2.52
1146329	38QRR024---3	CSPH*3012A**	58MVB040-14	23,400	12.0	14.5	25,400	3.78	8.5	13,900	2.54
1146331	38QRR024---3	CSPH*3012A**	58MVB060-14	23,400	12.0	14.5	25,400	3.78	8.5	13,900	2.54
1146333	38QRR024---3	CSPH*3012A**	58MVB080-14	23,400	12.0	14.5	25,400	3.78	8.5	13,900	2.54
1146335	38QRR024---3	CSPH*3012A**	58MVB080-20	23,400	12.0	14.5	25,400	3.78	8.5	13,900	2.54
1146337	38QRR024---3	CSPH*3012A**	58MVB100-20	23,400	12.0	14.5	23,400	3.80	8.5	13,900	2.54
1146339	38QRR024---3	CSPH*3012A**	58MVB120-20	23,400	12.0	14.5	25,400	3.76	8.5	13,900	2.52
3015627	38QRR024---3	CSPH*3012A**	58PH*045-08	23,400	12.0	14.5	23,600	3.94	8.5	14,100	2.60
3835671	38QRR024---3	CSPH*3012A**	58VLR105-12	23,400	12.0	14.5	23,600	4.00	8.5	14,000	2.62
3835670	38QRR024---3	CSPH*3012A**	58VMR105-12	23,400	12.0	14.5	23,600	3.88	8.5	13,900	2.56
4209423	38QRR024---3	CSPH*3012A**	OVLAAB036098	23,000	11.0	13.5	23,400	3.82	8.0	14,300	2.50
4209422	38QRR024---3	CSPH*3012A**	OVMAAB036098	23,000	11.0	13.5	23,400	3.80	8.0	14,400	2.48
4209424	38QRR024---3	CSPH*3012A**	OVMAAB042112	23,000	11.5	14.0	23,400	3.80	8.2	14,200	2.50
1146327	38QRR024---3	CSPH*3012A**+TDR		23,400	10.5	13.0	24,400	3.68	8.0	14,700	2.42
3835672	38QRR024---3	FB4CNF024+TXV		23,000	11.0	13.5	23,400	3.84	8.5	14,200	2.50
3835673	38QRR024---3	FB4CNF030+TXV		23,400	12.0	14.5	23,400	4.00	8.5	14,200	2.60
1146365	38QRR024---3	FE4AN(B,F)003+UI		23,600	12.0	14.5	23,400	3.90	8.5	13,900	2.60
1146363	38QRR024---3	FE4ANF002+UI		23,400	12.0	14.5	23,400	3.90	8.5	13,900	2.58
3405876	38QRR024---3	FV4CN(B,F)003		23,600	12.0	14.5	23,400	3.90	8.5	13,900	2.60
3405875	38QRR024---3	FV4CNF002		23,400	12.0	14.5	23,400	3.90	8.5	13,900	2.58
3835677	38QRR024---3	FX4DN(B,F)031		23,600	11.5	14.0	23,800	4.00	8.5	14,300	2.60
3835678	38QRR024---3	FX4DN(B,F)037		23,800	12.0	14.5	23,800	4.22	8.5	14,200	2.70
3835676	38QRR024---3	FX4DNF025		23,600	11.5	14.0	23,600	4.00	8.5	14,200	2.60
3835675	38QRR024---3	FY5BNF030+TXV		23,600	11.0	13.5	23,800	3.90	8.5	14,500	2.54
3835624	38QRR030---3	†FB4CNF030+TXV		27,600	11.0	13.0	28,400	3.92	7.8	16,900	2.42
1146375	38QRR030---3	CAP**3014A**	58CV(A,X)070-12	27,600	12.0	14.0	28,000	3.84	8.5	16,700	2.40
1146373	38QRR030---3	CAP**3014A**+TDR		27,600	11.0	13.0	28,600	3.76	8.0	17,500	2.32
1146856	38QRR030---3	CAP**3017A**	58CV(A,X)070-12	27,600	12.0	14.0	28,000	3.86	8.5	16,600	2.40
1146381	38QRR030---3	CAP**3017A**	58CV(A,X)090-16	27,600	12.5	14.5	28,000	3.88	8.5	16,500	2.44
3618271	38QRR030---3	CAP**3017A**	58ME(B,C)040-12	27,600	12.0	14.5	28,000	3.96	8.5	16,700	2.46
3112678	38QRR030---3	CAP**3017A**	58ME(B,C)060-12	27,600	12.0	14.5	28,000	3.98	8.5	16,800	2.46
3112679	38QRR030---3	CAP**3017A**	58ME(B,C)080-12	27,600	12.0	14.5	28,000	3.94	8.5	16,700	2.46
3112680	38QRR030---3	CAP**3017A**	58ME(B,C)080-16	27,600	12.0	14.5	28,000	3.98	8.5	16,900	2.46
3112677	38QRR030---3	CAP**3017A**	58MEB040-12	27,600	12.0	14.5	28,000	3.96	8.5	16,700	2.46
1392189	38QRR030---3	CAP**3017A**	58MV(B,C)060-14	27,600	12.0	14.5	28,000	3.86	8.5	16,600	2.42
3015629	38QRR030---3	CAP**3017A**	58PH*070-16	27,600	11.5	14.0	28,000	3.88	8.5	16,800	2.42
3757313	38QRR030---3	CAP**3017A**	58UVB060-14	27,600	12.0	14.5	28,000	3.86	8.5	16,600	2.42
3835546	38QRR030---3	CAP**3017A**	58VLR105-12	27,400	11.5	14.0	27,800	3.90	8.5	16,700	2.44
3835545	38QRR030---3	CAP**3017A**	58VMR105-12	27,400	11.5	14.0	27,800	3.82	8.2	16,400	2.40
4209426	38QRR030---3	CAP**3017A**	OVLAAB036098	27,400	11.0	13.0	28,000	3.70	8.0	17,100	2.32
4209425	38QRR030---3	CAP**3017A**	OVMAAB036098	27,400	11.0	13.0	28,000	3.70	8.0	17,200	2.30
4209427	38QRR030---3	CAP**3017A**	OVMAAB042112	27,400	11.5	13.5	28,000	3.76	8.0	17,000	2.34
1146377	38QRR030---3	CAP**3017A**+TDR		27,600	11.0	13.0	28,600	3.76	8.0	17,500	2.32

See notes on page 40

# COMBINATION RATINGS CONTINUED

AHRI Ref. No.	Model Number	Coil Model Number	Furnace Model Number	Cooling Capacity	EER	SEER	High Temp		HSPF	Low Temp	
							E Capacity	E COP		H Capacity	H COP
1146385	38QRR030---3	CAP**3614A**	58CV(A,X)070-12	27,800	12.0	14.0	28,000	3.86	8.5	16,700	2.40
1146383	38QRR030---3	CAP**3614A**+TDR		27,800	11.0	13.0	28,600	3.78	8.0	17,500	2.34
1146858	38QRR030---3	CAP**3617A**	58CV(A,X)070-12	27,800	12.0	14.5	28,000	3.88	8.5	16,600	2.42
1146391	38QRR030---3	CAP**3617A**	58CV(A,X)090-16	27,800	12.5	14.5	28,000	3.92	8.5	16,600	2.44
3618272	38QRR030---3	CAP**3617A**	58ME(B,C)040-12	27,800	12.0	14.5	28,200	4.02	8.5	16,800	2.48
3112682	38QRR030---3	CAP**3617A**	58ME(B,C)060-12	27,800	12.0	14.5	28,200	4.02	8.5	16,800	2.48
3112683	38QRR030---3	CAP**3617A**	58ME(B,C)080-12	27,800	12.0	14.5	28,200	4.00	8.5	16,700	2.48
3112684	38QRR030---3	CAP**3617A**	58ME(B,C)080-16	27,800	12.0	14.5	28,200	4.02	8.5	16,900	2.48
3112681	38QRR030---3	CAP**3617A**	58MEB040-12	27,800	12.0	14.5	28,200	4.02	8.5	16,800	2.48
1392191	38QRR030---3	CAP**3617A**	58MV(B,C)060-14	27,800	12.0	14.5	28,000	3.88	8.5	16,600	2.42
3015630	38QRR030---3	CAP**3617A**	58PH*070-16	27,800	11.5	14.0	28,400	3.92	8.5	16,900	2.42
3757314	38QRR030---3	CAP**3617A**	58UVB060-14	27,800	12.0	14.5	28,000	3.88	8.5	16,600	2.42
3835548	38QRR030---3	CAP**3617A**	58VLR105-12	27,600	11.5	14.0	28,000	3.94	8.5	16,700	2.44
3835547	38QRR030---3	CAP**3617A**	58VLR105-12	27,600	11.5	14.0	27,800	3.86	8.2	16,400	2.42
4209429	38QRR030---3	CAP**3617A**	OVLAAB036098	27,400	11.0	13.0	28,000	3.72	8.0	17,100	2.32
4209428	38QRR030---3	CAP**3617A**	OVMAAB036098	27,400	11.0	13.0	28,000	3.72	8.0	17,200	2.32
4209430	38QRR030---3	CAP**3617A**	OVMAAB042112	27,600	11.5	13.5	28,000	3.78	8.0	17,000	2.36
1146387	38QRR030---3	CAP**3617A**+TDR		27,800	11.0	13.0	28,600	3.78	8.0	17,500	2.34
3835550	38QRR030---3	CAP**3619A**	58HDV040--12	27,600	11.0	13.5	28,000	3.86	8.2	16,900	2.40
3835551	38QRR030---3	CAP**3619A**	58HDV060--12	27,600	11.5	14.0	28,000	3.92	8.5	17,000	2.42
3835549	38QRR030---3	CAP**3619A**+TDR		27,600	11.0	13.0	28,000	3.78	8.2	17,500	2.34
1146862	38QRR030---3	CAP**3621A**	58CV(A,X)090-16	27,800	12.5	14.5	28,000	3.94	8.5	16,500	2.46
1146401	38QRR030---3	CAP**3621A**	58CV(A,X)110-20	27,800	12.5	14.5	28,000	3.94	8.5	16,600	2.46
1392205	38QRR030---3	CAP**3621A**	58MV(B,C)060-14	27,800	12.5	14.5	28,000	3.90	8.5	16,600	2.44
1393592	38QRR030---3	CAP**3621A**	58MV(B,C)080-14	27,800	12.5	14.5	28,000	3.90	8.5	16,600	2.44
1395125	38QRR030---3	CAP**3621A**	58MV(B,C)080-20	27,800	12.5	14.5	28,000	3.90	8.5	16,600	2.44
1396867	38QRR030---3	CAP**3621A**	58MV(B,C)100-20	27,800	12.5	14.5	28,000	3.92	8.5	16,600	2.44
3015631	38QRR030---3	CAP**3621A**	58PH*090-16	27,800	12.0	14.5	28,400	4.00	8.5	16,800	2.48
3757315	38QRR030---3	CAP**3621A**	58UVB060-14	27,800	12.5	14.5	28,000	3.90	8.5	16,600	2.44
3757325	38QRR030---3	CAP**3621A**	58UVB080-14	27,800	12.5	14.5	28,000	3.90	8.5	16,600	2.44
3757335	38QRR030---3	CAP**3621A**	58UVB080-20	27,800	12.5	14.5	28,000	3.90	8.5	16,600	2.44
3757357	38QRR030---3	CAP**3621A**	58UVB100-20	27,800	12.5	14.5	28,000	3.92	8.5	16,600	2.44
4209431	38QRR030---3	CAP**3621A**	OVLAAB048112	27,600	11.5	13.5	28,000	3.80	8.0	17,100	2.36
1146393	38QRR030---3	CAP**3621A**+TDR		27,800	11.0	13.0	28,600	3.78	8.0	17,500	2.34
1146443	38QRR030---3	CNPH*3017A**	58CV(A,X)070-12	27,600	12.0	14.0	28,000	3.86	8.5	16,600	2.40
1146445	38QRR030---3	CNPH*3017A**	58CV(A,X)090-16	27,600	12.5	14.5	28,000	3.90	8.5	16,600	2.44
1146447	38QRR030---3	CNPH*3017A**	58CV(A,X)110-20	27,600	12.5	14.5	28,000	3.90	8.5	16,600	2.44
1146449	38QRR030---3	CNPH*3017A**	58CV(A,X)135-22	27,600	12.5	14.5	28,000	3.90	8.5	16,600	2.44
1146451	38QRR030---3	CNPH*3017A**	58CV(A,X)155-22	27,600	12.5	14.5	28,000	3.92	8.5	16,600	2.44
3835576	38QRR030---3	CNPH*3017A**	58HDV040--12	27,400	11.0	13.5	27,800	3.82	8.5	16,900	2.38
3835577	38QRR030---3	CNPH*3017A**	58HDV060--12	27,400	11.0	13.5	27,800	3.88	8.5	17,000	2.40
3835578	38QRR030---3	CNPH*3017A**	58HDV080--20	27,400	11.5	14.0	27,800	3.98	8.5	16,900	2.46
3835579	38QRR030---3	CNPH*3017A**	58HDV100--20	27,400	11.5	14.0	27,800	3.94	8.5	16,700	2.46
3618275	38QRR030---3	CNPH*3017A**	58ME(B,C)040-12	27,600	12.0	14.5	28,000	3.96	8.5	16,700	2.46
3112694	38QRR030---3	CNPH*3017A**	58ME(B,C)060-12	27,600	12.0	14.5	28,000	3.96	8.5	16,800	2.46
3112695	38QRR030---3	CNPH*3017A**	58ME(B,C)080-12	27,600	12.0	14.5	28,000	3.96	8.5	16,700	2.46
3112696	38QRR030---3	CNPH*3017A**	58ME(B,C)080-16	27,600	12.0	14.5	28,000	3.98	8.5	16,900	2.46
3112693	38QRR030---3	CNPH*3017A**	58MEB040-12	27,600	12.0	14.5	28,000	3.96	8.5	16,700	2.46
1392197	38QRR030---3	CNPH*3017A**	58MV(B,C)060-14	27,600	12.0	14.5	28,000	3.86	8.5	16,600	2.42
1393596	38QRR030---3	CNPH*3017A**	58MV(B,C)080-14	27,600	12.0	14.5	28,000	3.86	8.5	16,700	2.42
1395129	38QRR030---3	CNPH*3017A**	58MV(B,C)080-20	27,600	12.0	14.5	28,000	3.86	8.5	16,600	2.42
1396871	38QRR030---3	CNPH*3017A**	58MV(B,C)100-20	27,600	12.0	14.5	28,000	3.88	8.5	16,600	2.42
1398521	38QRR030---3	CNPH*3017A**	58MV(B,C)120-20	27,600	12.0	14.5	28,000	3.86	8.5	16,600	2.42
3015635	38QRR030---3	CNPH*3017A**	58PH*070-16	27,800	11.5	14.0	28,000	3.88	8.5	16,800	2.42
3015636	38QRR030---3	CNPH*3017A**	58PH*090-16	27,600	11.5	14.0	28,000	3.90	8.5	16,800	2.44
3835581	38QRR030---3	CNPH*3017A**	58VLR105-12	27,400	11.5	14.0	27,800	3.92	8.5	16,700	2.44
3835580	38QRR030---3	CNPH*3017A**	58VLR105-12	27,400	11.5	14.0	27,800	3.84	8.5	16,400	2.40
4209446	38QRR030---3	CNPH*3017A**	OVLAAB036098	27,400	11.0	13.0	28,000	3.70	8.0	17,100	2.30
4209448	38QRR030---3	CNPH*3017A**	OVLAAB048112	27,400	11.5	13.4	28,000	3.76	8.0	17,200	2.34
4209445	38QRR030---3	CNPH*3017A**	OVMAAB036098	27,400	11.0	13.0	28,000	3.70	8.0	17,200	2.30
4209447	38QRR030---3	CNPH*3017A**	OVMAAB042112	27,400	11.5	13.5	28,000	3.76	8.0	17,000	2.34
1146429	38QRR030---3	CNPH*3017A**+TDR		27,600	11.0	13.0	28,600	3.78	8.0	17,500	2.32
3835589	38QRR030---3	CNPH*3117A**	58CV(A,X)070-12	28,000	12.0	14.5	28,200	4.02	8.5	16,700	2.46
3835590	38QRR030---3	CNPH*3117A**	58CV(A,X)090-16	28,000	12.0	14.5	28,200	4.06	8.5	16,600	2.50
3835591	38QRR030---3	CNPH*3117A**	58CV(A,X)110-20	28,000	12.0	14.5	28,200	4.06	8.5	16,700	2.50
3835592	38QRR030---3	CNPH*3117A**	58CV(A,X)135-22	28,000	12.0	14.5	28,200	4.08	8.5	16,600	2.50
3835593	38QRR030---3	CNPH*3117A**	58CV(A,X)155-22	28,000	12.0	14.5	28,200	4.08	8.5	16,600	2.52
3835600	38QRR030---3	CNPH*3117A**	58HDV040--12	28,000	11.5	14.0	28,200	3.98	8.5	17,100	2.44
3835601	38QRR030---3	CNPH*3117A**	58HDV060--12	28,000	11.5	14.0	28,200	4.04	8.5	17,100	2.46
3835602	38QRR030---3	CNPH*3117A**	58HDV080--20	28,000	12.0	14.5	28,200	4.16	8.5	17,100	2.52
3835603	38QRR030---3	CNPH*3117A**	58HDV100--20	28,000	12.0	14.5	28,200	4.12	8.5	16,900	2.52
3835597	38QRR030---3	CNPH*3117A**	58ME(B,C)060-12	28,000	12.0	14.5	28,200	4.16	8.5	16,900	2.54
3835598	38QRR030---3	CNPH*3117A**	58ME(B,C)080-12	28,000	12.0	14.5	28,200	4.14	8.5	16,800	2.52
3835599	38QRR030---3	CNPH*3117A**	58ME(B,C)080-16	28,000	12.0	14.5	28,200	4.16	8.5	17,000	2.54
3835596	38QRR030---3	CNPH*3117A**	58MEB040-12	28,000	12.0	14.5	28,200	4.16	8.5	16,900	2.54
3835584	38QRR030---3	CNPH*3117A**	58MV(B,C)060-14	28,000	12.0	14.5	28,200	4.08	8.5	16,700	2.50
3835585	38QRR030---3	CNPH*3117A**	58MV(B,C)080-14	28,000	12.0	14.5	28,200	4.00	8.5	16,600	2.46
3835586	38QRR030---3	CNPH*3117A**	58MV(B,C)080-20	28,000	12.0	14.5	28,200	4.04	8.5	16,700	2.48
3835587	38QRR030---3	CNPH*3117A**	58MV(B,C)100-20	28,000	12.0	14.5	28,200	3.98	8.5	16,600	2.46

38QRR

See notes on page 40

# COMBINATION RATINGS CONTINUED

AHR Ref. No.	Model Number	Coil Model Number	Furnace Model Number	Cooling Capacity	EER	SEER	High Temp		HSPF	Low Temp	
							E Capacity	E COP		H Capacity	H COP
3835588	38QRR030---3	CNPH*3117A**	58MV(B,C)120-20	28,000	12.0	14.5	28,200	4.06	8.5	16,700	2.50
3835583	38QRR030---3	CNPH*3117A**	58MVB040-14	28,000	12.0	14.5	28,200	4.00	8.5	16,700	2.46
3835594	38QRR030---3	CNPH*3117A**	58PH*070-16	28,000	12.0	14.5	28,200	4.04	8.5	17,000	2.48
3835595	38QRR030---3	CNPH*3117A**	58PH*090-16	28,000	12.0	14.5	28,200	4.10	8.5	16,900	2.50
3835605	38QRR030---3	CNPH*3117A**	58VLR105-12	28,000	12.0	14.5	28,200	4.06	8.5	16,800	2.50
3835604	38QRR030---3	CNPH*3117A**	58VMR105-12	28,000	12.0	14.5	28,200	3.98	8.5	16,600	2.46
4209450	38QRR030---3	CNPH*3117A**	OVLAAB036098	28,000	11.5	13.5	28,200	3.84	8.0	17,200	2.36
4209452	38QRR030---3	CNPH*3117A**	OVLAAB048112	28,000	11.5	13.5	28,200	3.92	8.0	17,300	2.40
4209449	38QRR030---3	CNPH*3117A**	OVMAAB036098	28,000	11.5	13.5	28,200	3.84	8.0	17,300	2.36
4209451	38QRR030---3	CNPH*3117A**	OVMAAB042112	28,000	11.5	14.0	28,200	3.92	8.2	17,100	2.40
3835582	38QRR030---3	CNPH*3117A**+TDR		28,000	11.0	13.0	28,200	3.92	8.5	17,700	2.38
1146796	38QRR030---3	CNPH*3617A**	58CV(A,X)070-12	27,800	12.0	14.0	28,000	3.86	8.5	16,600	2.40
1146798	38QRR030---3	CNPH*3617A**	58CV(A,X)090-16	27,800	12.5	14.5	28,000	3.90	8.5	16,600	2.44
1146800	38QRR030---3	CNPH*3617A**	58CV(A,X)110-20	27,800	12.5	14.5	28,000	3.90	8.5	16,600	2.44
1146802	38QRR030---3	CNPH*3617A**	58CV(A,X)135-22	27,800	12.5	14.5	28,000	3.90	8.5	16,600	2.44
1146804	38QRR030---3	CNPH*3617A**	58CV(A,X)155-22	27,800	12.5	14.5	28,000	3.92	8.5	16,600	2.44
3835606	38QRR030---3	CNPH*3617A**	58HDV040--12	27,600	11.0	13.5	28,000	3.82	8.2	16,900	2.38
3835607	38QRR030---3	CNPH*3617A**	58HDV060--12	27,600	11.5	14.0	28,000	3.88	8.5	17,000	2.40
3835608	38QRR030---3	CNPH*3617A**	58HDV080--20	27,600	11.5	14.0	28,000	3.98	8.5	16,900	2.46
3835609	38QRR030---3	CNPH*3617A**	58HDV100--20	27,600	11.5	14.0	28,000	3.94	8.5	16,700	2.46
3618276	38QRR030---3	CNPH*3617A**	58ME(B,C)040-12	27,800	12.0	14.5	28,200	3.96	8.5	16,700	2.46
3112698	38QRR030---3	CNPH*3617A**	58ME(B,C)060-12	27,800	12.0	14.5	28,200	3.96	8.5	16,800	2.46
3112699	38QRR030---3	CNPH*3617A**	58ME(B,C)080-12	27,800	12.0	14.5	28,200	3.96	8.5	16,700	2.46
3112700	38QRR030---3	CNPH*3617A**	58ME(B,C)080-16	27,800	12.0	14.5	28,200	3.98	8.5	16,900	2.46
3112697	38QRR030---3	CNPH*3617A**	58MEB040-12	27,800	12.0	14.5	28,200	3.96	8.5	16,700	2.46
1392199	38QRR030---3	CNPH*3617A**	58MV(B,C)060-14	27,800	12.0	14.5	28,000	3.86	8.5	16,600	2.42
1393598	38QRR030---3	CNPH*3617A**	58MV(B,C)080-14	27,800	12.0	14.5	28,000	3.86	8.5	16,700	2.42
1395131	38QRR030---3	CNPH*3617A**	58MV(B,C)080-20	27,800	12.0	14.5	28,000	3.86	8.5	16,600	2.42
1396873	38QRR030---3	CNPH*3617A**	58MV(B,C)100-20	27,800	12.0	14.5	28,000	3.88	8.5	16,600	2.42
1398523	38QRR030---3	CNPH*3617A**	58MV(B,C)120-20	27,800	12.0	14.5	28,000	3.86	8.5	16,600	2.42
3015637	38QRR030---3	CNPH*3617A**	58PH*070-16	27,800	11.5	14.0	28,400	3.88	8.5	16,800	2.42
3015638	38QRR030---3	CNPH*3617A**	58PH*090-16	27,800	12.0	14.5	28,200	3.90	8.5	16,800	2.44
3835611	38QRR030---3	CNPH*3617A**	58VLR105-12	27,600	11.5	14.0	28,000	3.92	8.2	16,700	2.44
3835610	38QRR030---3	CNPH*3617A**	58VMR105-12	27,400	11.5	14.0	27,800	3.84	8.2	16,400	2.40
4209454	38QRR030---3	CNPH*3617A**	OVLAAB036098	27,400	11.0	13.0	28,000	3.70	8.0	17,100	2.30
4209456	38QRR030---3	CNPH*3617A**	OVLAAB048112	27,600	11.0	13.0	28,000	3.76	8.0	17,200	2.34
4209453	38QRR030---3	CNPH*3617A**	OVMAAB036098	27,400	11.0	13.0	28,000	3.70	8.0	17,200	2.30
4209455	38QRR030---3	CNPH*3617A**	OVMAAB042112	27,600	11.5	13.5	28,000	3.76	8.0	17,000	2.34
1146453	38QRR030---3	CNPH*3617A**+TDR		27,800	11.0	13.0	28,600	3.78	8.0	17,500	2.32
1146405	38QRR030---3	CNPV*3014A**	58CV(A,X)070-12	27,600	12.0	14.0	28,000	3.84	8.5	16,700	2.40
1146403	38QRR030---3	CNPV*3014A**+TDR		27,600	11.0	13.0	28,600	3.78	8.0	17,500	2.32
1146864	38QRR030---3	CNPV*3017A**	58CV(A,X)070-12	27,600	12.0	14.0	28,000	3.86	8.5	16,600	2.40
1146411	38QRR030---3	CNPV*3017A**	58CV(A,X)090-16	27,600	12.5	14.5	28,000	3.90	8.5	16,600	2.44
3618273	38QRR030---3	CNPV*3017A**	58ME(B,C)040-12	27,600	12.0	14.5	28,000	3.96	8.5	16,700	2.46
3112686	38QRR030---3	CNPV*3017A**	58ME(B,C)060-12	27,600	12.0	14.5	28,000	3.96	8.5	16,800	2.46
3112687	38QRR030---3	CNPV*3017A**	58ME(B,C)080-12	27,600	12.0	14.5	28,000	3.96	8.5	16,700	2.46
3112688	38QRR030---3	CNPV*3017A**	58ME(B,C)080-16	27,600	12.0	14.5	28,000	3.98	8.5	16,900	2.46
3112685	38QRR030---3	CNPV*3017A**	58MEB040-12	27,600	12.0	14.5	28,000	3.96	8.5	16,700	2.46
1392193	38QRR030---3	CNPV*3017A**	58MV(B,C)060-14	27,600	12.0	14.5	28,000	3.86	8.5	16,600	2.42
3015632	38QRR030---3	CNPV*3017A**	58PH*070-16	27,600	11.5	14.0	28,000	3.88	8.5	16,800	2.42
3758652	38QRR030---3	CNPV*3017A**	58UVB060-14	27,600	12.0	14.5	28,000	3.86	8.5	16,600	2.42
3835553	38QRR030---3	CNPV*3017A**	58VLR105-12	27,400	11.5	14.0	27,800	3.92	8.5	16,700	2.44
3835552	38QRR030---3	CNPV*3017A**	58VMR105-12	27,400	11.5	14.0	27,800	3.84	8.2	16,400	2.40
4209433	38QRR030---3	CNPV*3017A**	OVLAAB036098	27,400	11.0	13.0	28,000	3.70	8.0	17,100	2.30
4209432	38QRR030---3	CNPV*3017A**	OVMAAB036098	27,400	11.0	13.0	28,000	3.70	8.0	17,200	2.30
4209434	38QRR030---3	CNPV*3017A**	OVMAAB042112	27,400	11.5	13.5	28,000	3.76	8.0	17,000	2.34
1146407	38QRR030---3	CNPV*3017A**+TDR		27,600	11.0	13.0	28,600	3.78	8.0	17,500	2.32
3835556	38QRR030---3	CNPV*3117A**	58CV(A,X)090-16	28,000	12.0	14.5	28,200	4.06	8.5	16,600	2.50
3835559	38QRR030---3	CNPV*3117A**	58ME(B,C)060-12	28,000	12.0	14.5	28,200	4.16	8.5	16,900	2.54
3835560	38QRR030---3	CNPV*3117A**	58ME(B,C)080-12	28,000	12.0	14.5	28,200	4.12	8.5	16,800	2.52
3835561	38QRR030---3	CNPV*3117A**	58ME(B,C)080-16	28,000	12.0	14.5	28,200	4.16	8.5	17,000	2.52
3835558	38QRR030---3	CNPV*3117A**	58MEB040-12	28,000	12.0	14.5	28,200	4.16	8.5	16,900	2.54
3835555	38QRR030---3	CNPV*3117A**	58MV(B,C)060-14	28,000	12.0	14.5	28,200	4.08	8.5	16,700	2.50
3835557	38QRR030---3	CNPV*3117A**	58PH*070-16	28,000	12.0	14.5	28,200	4.04	8.5	17,000	2.48
4706949	38QRR030---3	CNPV*3117A**	58UVB060-14	28,800	12.7	15.0	28,200	4.16	8.5	16,800	2.50
3835705	38QRR030---3	CNPV*3117A**	58UVB080-12	28,000	12.0	14.5	28,200	4.12	8.5	16,800	2.52
3835706	38QRR030---3	CNPV*3117A**	58UVB080-16	28,000	12.0	14.5	28,200	4.16	8.5	17,000	2.52
3835563	38QRR030---3	CNPV*3117A**	58VLR105-12	28,000	12.0	14.5	28,200	4.06	8.5	16,800	2.48
3835562	38QRR030---3	CNPV*3117A**	58VMR105-12	28,000	12.0	14.5	28,200	3.98	8.5	16,600	2.46
4209436	38QRR030---3	CNPV*3117A**	OVLAAB036098	27,800	11.5	13.5	28,200	3.84	8.0	17,200	2.36
4209435	38QRR030---3	CNPV*3117A**	OVMAAB036098	27,800	11.5	13.5	28,200	3.84	8.0	17,300	2.36
4209437	38QRR030---3	CNPV*3117A**	OVMAAB042112	27,800	11.5	14.0	28,200	3.92	8.2	17,100	2.40
3835554	38QRR030---3	CNPV*3117A**+TDR		28,000	11.0	13.0	28,200	3.92	8.5	17,700	2.38
1146866	38QRR030---3	CNPV*3617A**	58CV(A,X)070-12	27,800	12.0	14.0	28,000	3.86	8.5	16,600	2.40
1146417	38QRR030---3	CNPV*3617A**	58CV(A,X)090-16	27,800	12.5	14.5	28,000	3.90	8.5	16,600	2.44
3618274	38QRR030---3	CNPV*3617A**	58ME(B,C)040-12	27,800	12.0	14.5	28,200	3.96	8.5	16,700	2.46
3112690	38QRR030---3	CNPV*3617A**	58ME(B,C)060-12	27,800	12.0	14.5	28,200	3.96	8.5	16,800	2.46
3112691	38QRR030---3	CNPV*3617A**	58ME(B,C)080-12	27,800	12.0	14.5	28,200	3.96	8.5	16,700	2.46
3112692	38QRR030---3	CNPV*3617A**	58ME(B,C)080-16	27,800	12.0	14.5	28,200	3.98	8.5	16,900	2.46

See notes on page 40



# COMBINATION RATINGS CONTINUED

AHR Ref. No.	Model Number	Coil Model Number	Furnace Model Number	Cooling Capacity	EER	SEER	High Temp		HSPF	Low Temp	
							E Capacity	E COP		H Capacity	H COP
3112689	38QRR030---3	CNPV*3617A**	58MEB040-12	27,800	12.0	14.5	28,200	3.96	8.5	16,700	2.46
1392195	38QRR030---3	CNPV*3617A**	58MV(B,C)060-14	27,800	12.0	14.5	28,000	3.86	8.5	16,600	2.42
3015633	38QRR030---3	CNPV*3617A**	58PH*070-16	27,800	11.5	14.0	28,400	3.88	8.5	16,800	2.42
3758653	38QRR030---3	CNPV*3617A**	58UVB060-14	27,800	12.0	14.5	28,000	3.86	8.5	16,600	2.42
3835565	38QRR030---3	CNPV*3617A**	58VLR105-12	27,600	11.5	14.0	27,800	3.92	8.5	16,700	2.44
3835564	38QRR030---3	CNPV*3617A**	58VMR105-12	27,400	11.5	14.0	27,800	3.84	8.2	16,400	2.40
4209439	38QRR030---3	CNPV*3617A**	OVLAAB036098	27,400	11.0	13.0	28,000	3.70	8.0	17,100	2.30
4209438	38QRR030---3	CNPV*3617A**	OVMAAB036098	27,400	11.0	13.0	28,000	3.70	8.0	17,200	2.30
4209440	38QRR030---3	CNPV*3617A**	OVMAAB042112	27,600	11.5	13.5	28,000	3.76	8.0	17,000	2.34
1146413	38QRR030---3	CNPV*3617A**+TDR		27,800	11.0	13.0	28,600	3.78	8.0	17,500	2.32
1146870	38QRR030---3	CNPV*3621A**	58CV(A,X)090-16	27,800	12.5	14.5	28,000	3.90	8.5	16,600	2.44
1146427	38QRR030---3	CNPV*3621A**	58CV(A,X)110-20	27,800	12.5	14.5	28,000	3.90	8.5	16,600	2.44
1392207	38QRR030---3	CNPV*3621A**	58MV(B,C)060-14	27,800	12.0	14.5	28,000	3.86	8.5	16,600	2.42
1393594	38QRR030---3	CNPV*3621A**	58MV(B,C)080-14	27,800	12.0	14.5	28,000	3.86	8.5	16,700	2.42
1395127	38QRR030---3	CNPV*3621A**	58MV(B,C)080-20	27,800	12.0	14.5	28,000	3.86	8.5	16,600	2.42
1396869	38QRR030---3	CNPV*3621A**	58MV(B,C)100-20	27,800	12.0	14.5	28,000	3.88	8.5	16,600	2.42
3015634	38QRR030---3	CNPV*3621A**	58PH*090-16	27,800	12.0	14.5	28,200	3.92	8.5	16,800	2.44
3758654	38QRR030---3	CNPV*3621A**	58UVB060-14	27,800	12.0	14.5	28,000	3.86	8.5	16,600	2.42
3758664	38QRR030---3	CNPV*3621A**	58UVB080-14	27,800	12.0	14.5	28,000	3.86	8.5	16,700	2.42
3758671	38QRR030---3	CNPV*3621A**	58UVB080-20	27,800	12.0	14.5	28,000	3.86	8.5	16,600	2.42
3758687	38QRR030---3	CNPV*3621A**	58UVB100-20	27,800	12.0	14.5	28,000	3.88	8.5	16,600	2.42
4209441	38QRR030---3	CNPV*3621A**	OVLAAB048112	27,600	11.0	13.0	28,000	3.76	8.0	17,200	2.34
1146419	38QRR030---3	CNPV*3621A**+TDR		27,800	11.0	13.0	28,600	3.78	8.0	17,500	2.32
3835568	38QRR030---3	CNPV*3717A**	58CV(A,X)090-16	28,200	12.0	14.5	28,200	4.14	8.5	16,700	2.52
3835571	38QRR030---3	CNPV*3717A**	58ME(B,C)060-12	28,200	12.0	14.5	28,200	4.26	8.5	17,000	2.56
3835572	38QRR030---3	CNPV*3717A**	58ME(B,C)080-12	28,200	12.0	14.5	28,200	4.22	8.5	16,900	2.56
3835573	38QRR030---3	CNPV*3717A**	58ME(B,C)080-16	28,200	12.0	14.5	28,200	4.26	8.5	17,100	2.56
3835570	38QRR030---3	CNPV*3717A**	58MEB040-12	28,200	12.0	14.5	28,200	4.24	8.5	17,000	2.56
3835567	38QRR030---3	CNPV*3717A**	58MV(B,C)060-14	28,200	12.0	14.5	28,200	4.16	8.5	16,800	2.54
3835569	38QRR030---3	CNPV*3717A**	58PH*070-16	28,200	12.0	14.5	28,200	4.14	8.5	17,100	2.50
4706940	38QRR030---3	CNPV*3717A**	58UVB060-14	28,800	12.7	15.0	28,200	4.16	8.5	16,800	2.50
3835708	38QRR030---3	CNPV*3717A**	58UVB080-12	28,200	12.0	14.5	28,200	4.22	8.5	16,900	2.56
3835709	38QRR030---3	CNPV*3717A**	58UVB080-16	28,200	12.0	14.5	28,200	4.26	8.5	17,100	2.56
3835575	38QRR030---3	CNPV*3717A**	58VLR105-12	28,200	12.0	14.5	28,200	4.14	8.5	16,900	2.52
3835574	38QRR030---3	CNPV*3717A**	58VMR105-12	28,200	12.0	14.5	28,200	4.06	8.5	16,600	2.50
4209443	38QRR030---3	CNPV*3717A**	OVLAAB036098	28,200	11.5	13.5	28,400	3.92	8.0	17,300	2.40
4209442	38QRR030---3	CNPV*3717A**	OVMAAB036098	28,200	11.5	13.5	28,400	3.92	8.0	17,400	2.38
4209444	38QRR030---3	CNPV*3717A**	OVMAAB042112	28,200	11.5	14.0	28,400	4.00	8.2	17,200	2.44
3835566	38QRR030---3	CNPV*3717A**+TDR		28,200	11.0	13.0	28,200	3.98	8.5	17,700	2.40
1146822	38QRR030---3	CSPH*3012A**	58CV(A,X)070-12	27,600	12.0	14.0	28,000	3.88	8.5	16,700	2.42
1146824	38QRR030---3	CSPH*3012A**	58CV(A,X)090-16	27,600	12.5	14.5	28,000	3.90	8.5	16,600	2.42
1146826	38QRR030---3	CSPH*3012A**	58CV(A,X)110-20	27,600	12.5	14.5	28,000	3.90	8.5	16,700	2.44
1146828	38QRR030---3	CSPH*3012A**	58CV(A,X)135-22	27,600	12.5	14.5	28,000	3.92	8.5	16,600	2.44
1146830	38QRR030---3	CSPH*3012A**	58CV(A,X)155-22	27,600	12.5	14.5	28,000	3.92	8.5	16,600	2.44
3835612	38QRR030---3	CSPH*3012A**	58HDV040--12	27,400	11.0	13.5	27,600	3.82	8.2	16,900	2.38
3835613	38QRR030---3	CSPH*3012A**	58HDV060--12	27,400	11.0	13.5	27,600	3.86	8.2	16,900	2.40
3835614	38QRR030---3	CSPH*3012A**	58HDV080--20	27,400	11.5	14.0	27,600	3.96	8.5	16,900	2.44
3835615	38QRR030---3	CSPH*3012A**	58HDV100--20	27,400	11.5	14.0	27,600	3.92	8.5	16,700	2.44
3618277	38QRR030---3	CSPH*3012A**	58ME(B,C)040-12	27,600	12.0	14.5	28,000	3.96	8.5	16,700	2.46
3112702	38QRR030---3	CSPH*3012A**	58ME(B,C)060-12	27,600	12.0	14.5	28,000	3.96	8.5	16,800	2.46
3112703	38QRR030---3	CSPH*3012A**	58ME(B,C)080-12	27,600	12.0	14.5	28,000	3.94	8.5	16,700	2.46
3112704	38QRR030---3	CSPH*3012A**	58ME(B,C)080-16	27,600	12.0	14.5	28,000	3.98	8.5	16,900	2.46
3112701	38QRR030---3	CSPH*3012A**	58MEB040-12	27,600	12.0	14.5	28,000	3.96	8.5	16,700	2.46
1392201	38QRR030---3	CSPH*3012A**	58MV(B,C)060-14	27,600	12.0	14.5	28,000	3.86	8.5	16,700	2.40
1393600	38QRR030---3	CSPH*3012A**	58MV(B,C)080-14	27,600	12.0	14.0	28,000	3.88	8.5	16,700	2.40
1395133	38QRR030---3	CSPH*3012A**	58MV(B,C)080-20	27,600	12.0	14.5	28,000	3.88	8.5	16,700	2.42
1396875	38QRR030---3	CSPH*3012A**	58MV(B,C)100-20	27,600	12.0	14.5	28,000	3.90	8.5	16,700	2.42
1398525	38QRR030---3	CSPH*3012A**	58MV(B,C)120-20	27,600	12.0	14.5	28,000	3.88	8.5	16,600	2.42
3015639	38QRR030---3	CSPH*3012A**	58PH*070-16	27,600	11.5	14.0	28,000	3.86	8.5	16,900	2.40
3015640	38QRR030---3	CSPH*3012A**	58PH*090-16	27,600	11.5	14.0	28,000	3.90	8.5	16,700	2.42
3835617	38QRR030---3	CSPH*3012A**	58VLR105-12	27,400	11.5	14.0	27,600	3.92	8.2	16,800	2.42
3835616	38QRR030---3	CSPH*3012A**	58VMR105-12	27,400	11.5	14.0	27,600	3.82	8.2	16,500	2.40
4209458	38QRR030---3	CSPH*3012A**	OVLAAB036098	27,400	11.0	13.0	28,000	3.74	8.0	17,200	2.32
4209460	38QRR030---3	CSPH*3012A**	OVLAAB048112	27,400	11.0	13.0	28,000	3.80	8.0	17,300	2.34
4209457	38QRR030---3	CSPH*3012A**	OVMAAB036098	27,400	11.0	13.0	28,000	3.74	8.0	17,300	2.30
4209459	38QRR030---3	CSPH*3012A**	OVMAAB042112	27,400	11.5	13.5	28,000	3.80	8.0	17,100	2.34
1146808	38QRR030---3	CSPH*3012A**+TDR		27,600	11.0	13.0	28,600	3.80	8.0	17,500	2.34
1146846	38QRR030---3	CSPH*3612A**	58CV(A,X)070-12	27,800	12.5	14.5	28,000	3.98	8.5	16,800	2.46
1146848	38QRR030---3	CSPH*3612A**	58CV(A,X)090-16	27,800	12.5	14.5	28,000	4.02	8.5	16,700	2.48
1146850	38QRR030---3	CSPH*3612A**	58CV(A,X)110-20	27,800	12.5	14.5	28,000	4.04	8.5	16,700	2.48
1146852	38QRR030---3	CSPH*3612A**	58CV(A,X)135-22	27,800	12.5	14.5	28,000	4.04	8.5	16,700	2.48
1146854	38QRR030---3	CSPH*3612A**	58CV(A,X)155-22	27,800	12.5	14.5	28,000	4.06	8.5	16,700	2.50
3835618	38QRR030---3	CSPH*3612A**	58HDV040--12	27,600	11.5	14.0	28,000	3.94	8.5	17,000	2.42
3835619	38QRR030---3	CSPH*3612A**	58HDV060--12	27,600	11.5	14.0	28,000	4.00	8.5	17,100	2.46
3835620	38QRR030---3	CSPH*3612A**	58HDV080--20	27,600	12.0	14.5	28,000	4.12	8.5	17,100	2.52
3835621	38QRR030---3	CSPH*3612A**	58HDV100--20	27,600	12.0	14.5	28,000	4.08	8.5	16,800	2.50
3618278	38QRR030---3	CSPH*3612A**	58ME(B,C)040-12	27,800	12.0	14.5	28,200	4.14	8.5	16,900	2.52
3112706	38QRR030---3	CSPH*3612A**	58ME(B,C)060-12	27,800	12.0	14.5	28,200	4.14	8.5	16,900	2.52
3112707	38QRR030---3	CSPH*3612A**	58ME(B,C)080-12	27,800	12.0	14.5	28,200	4.12	8.5	16,800	2.52

38QRR

See notes on page 40

# COMBINATION RATINGS CONTINUED

AHR Ref. No.	Model Number	Coil Model Number	Furnace Model Number	Cooling Capacity	EER	SEER	High Temp		HSPF	Low Temp	
							E Capacity	E COP		H Capacity	H COP
3112708	38QRR030---3	CSPH*3612A**	58ME(B,C)080-16	27,800	12.0	14.5	28,200	4.16	8.5	17,000	2.52
3112705	38QRR030---3	CSPH*3612A**	58MEB040-12	27,800	12.0	14.5	28,200	4.14	8.5	16,900	2.52
1392203	38QRR030---3	CSPH*3612A**	58MV(B,C)060-14	27,800	12.5	14.5	28,000	3.98	8.5	16,700	2.46
1393602	38QRR030---3	CSPH*3612A**	58MV(B,C)080-14	27,800	12.5	14.5	28,000	4.00	8.5	16,800	2.46
1395135	38QRR030---3	CSPH*3612A**	58MV(B,C)080-20	27,800	12.5	14.5	28,000	4.00	8.5	16,800	2.46
1396877	38QRR030---3	CSPH*3612A**	58MV(B,C)100-20	27,800	12.5	14.5	28,000	4.02	8.5	16,700	2.48
1398527	38QRR030---3	CSPH*3612A**	58MV(B,C)120-20	27,800	12.5	14.5	28,000	4.00	8.5	16,700	2.46
3015641	38QRR030---3	CSPH*3612A**	58PH*070-16	27,800	11.5	14.0	28,400	4.02	8.5	17,000	2.46
3015642	38QRR030---3	CSPH*3612A**	58PH*090-16	27,800	12.0	14.5	28,400	4.08	8.5	16,900	2.50
3835623	38QRR030---3	CSPH*3612A**	58VLR105-12	27,600	12.0	14.5	28,000	4.02	8.5	16,800	2.48
3835622	38QRR030---3	CSPH*3612A**	58VMR105-12	27,600	12.0	14.5	28,000	3.94	8.5	16,500	2.44
4209462	38QRR030---3	CSPH*3612A**	OVLAAB036098	27,600	11.5	13.5	28,000	3.80	8.0	17,200	2.36
4209464	38QRR030---3	CSPH*3612A**	OVLAAB048112	27,600	11.5	13.5	28,000	3.88	8.0	17,300	2.38
4209461	38QRR030---3	CSPH*3612A**	OVMAAB036098	27,600	11.5	13.5	28,000	3.80	8.0	17,300	2.34
4209463	38QRR030---3	CSPH*3612A**	OVMAAB042112	27,600	11.5	13.5	28,000	3.88	8.0	17,100	2.40
1146832	38QRR030---3	CSPH*3612A**+TDR		27,800	11.5	13.0	28,600	3.90	8.0	17,600	2.38
3835625	38QRR030---3	FB4CNF036+TXV		27,800	11.5	14.0	28,400	3.92	8.5	17,000	2.42
3835626	38QRR030---3	FB4CNF042+TXV		28,000	11.0	13.5	28,600	3.96	8.5	17,400	2.42
1146880	38QRR030---3	FE4AN(B,F)003+UI		28,200	12.5	15.0	28,000	4.00	8.5	16,600	2.48
1146882	38QRR030---3	FE4AN(B,F)005+UI		28,800	13.0	15.0	28,200	4.20	9.0	16,700	2.56
1146878	38QRR030---3	FE4ANF002+UI		28,000	12.5	14.5	28,000	3.96	8.5	16,700	2.44
3405877	38QRR030---3	FV4CN(B,F)003		28,000	12.5	15.0	28,000	4.00	8.5	16,600	2.48
3405878	38QRR030---3	FV4CN(B,F)005		28,800	13.0	15.0	28,200	4.20	9.0	16,700	2.56
3405879	38QRR030---3	FV4CNF002		27,800	12.0	14.5	28,000	3.96	8.5	16,700	2.46
3835629	38QRR030---3	FX4DN(B,F)031		28,200	12.0	14.5	28,400	4.04	8.5	16,900	2.48
3835630	38QRR030---3	FX4DN(B,F)037		28,400	12.0	14.5	28,400	4.14	8.5	17,000	2.52
3835631	38QRR030---3	FX4DN(B,F)043		28,400	11.5	14.0	28,600	3.98	8.5	17,300	2.44
3835627	38QRR030---3	FY5BNF030+TXV		28,000	11.0	13.5	28,600	3.92	8.5	17,100	2.42
3835628	38QRR030---3	FY5BNF036+TXV		28,000	11.0	13.5	28,600	3.84	8.5	17,300	2.38
3835538	38QRR036---3	†FY5BNF036+TXV		34,000	11.0	13.0	34,000	3.72	7.8	19,800	2.34
1146902	38QRR036---3	CAP**3614A**	58CV(A,X)070-12	33,800	12.0	14.0	33,000	3.64	7.7	19,400	2.34
1147062	38QRR036---3	CAP**3617A**	58CV(A,X)070-12	33,800	12.0	14.0	33,200	3.66	7.7	19,300	2.34
1146908	38QRR036---3	CAP**3617A**	58CV(A,X)090-16	33,800	12.5	14.5	33,000	3.70	7.8	19,200	2.38
3618279	38QRR036---3	CAP**3617A**	58ME(B,C)040-12	33,800	12.0	14.5	33,000	3.76	7.8	19,400	2.40
3112710	38QRR036---3	CAP**3617A**	58ME(B,C)060-12	33,800	12.0	14.5	33,000	3.76	7.8	19,400	2.40
3112711	38QRR036---3	CAP**3617A**	58ME(B,C)080-12	33,800	12.0	14.5	33,000	3.74	7.8	19,400	2.38
3112712	38QRR036---3	CAP**3617A**	58ME(B,C)080-16	33,800	12.0	14.5	33,000	3.76	7.8	19,400	2.40
3112709	38QRR036---3	CAP**3617A**	58MEB040-12	33,800	12.0	14.5	33,000	3.76	7.8	19,400	2.40
1392209	38QRR036---3	CAP**3617A**	58MV(B,C)060-14	33,800	12.5	14.5	33,000	3.68	7.8	19,200	2.36
3015644	38QRR036---3	CAP**3617A**	58PH*070-16	34,000	11.5	14.0	33,000	3.66	7.8	19,500	2.34
3757316	38QRR036---3	CAP**3617A**	58UVB060-14	33,800	12.5	14.5	33,000	3.68	7.8	19,200	2.36
3835443	38QRR036---3	CAP**3617A**	58VLR105-12	33,600	12.0	14.5	33,000	3.72	7.8	19,400	2.36
3835442	38QRR036---3	CAP**3617A**	58VMR105-12	33,600	12.0	14.5	33,000	3.64	7.7	19,100	2.34
1146904	38QRR036---3	CAP**3617A**+TDR		34,000	11.0	13.0	34,000	3.62	7.7	20,200	2.30
3835450	38QRR036---3	CAP**3619A**	58HVD060--12	33,600	11.5	14.0	33,000	3.68	7.7	19,700	2.34
3835449	38QRR036---3	CAP**3619A**+TDR		33,600	11.0	13.0	33,000	3.64	7.7	20,200	2.30
1147066	38QRR036---3	CAP**3621A**	58CV(A,X)090-16	33,800	12.5	15.0	33,000	3.72	7.9	19,200	2.38
1146918	38QRR036---3	CAP**3621A**	58CV(A,X)110-20	33,800	12.5	15.0	33,000	3.74	7.9	19,200	2.40
3112713	38QRR036---3	CAP**3621A**	58ME(B,C)100-20	33,800	12.0	14.5	33,000	3.78	7.8	19,200	2.42
1392221	38QRR036---3	CAP**3621A**	58MV(B,C)060-14	33,800	12.5	14.5	33,000	3.70	7.8	19,200	2.38
1393604	38QRR036---3	CAP**3621A**	58MV(B,C)080-14	33,800	12.5	14.5	33,000	3.64	7.7	19,300	2.34
1395137	38QRR036---3	CAP**3621A**	58MV(B,C)080-20	33,800	12.5	14.5	33,000	3.70	7.8	19,200	2.36
1396879	38QRR036---3	CAP**3621A**	58MV(B,C)100-20	33,800	12.5	14.5	33,000	3.70	7.8	19,200	2.38
3015645	38QRR036---3	CAP**3621A**	58PH*090-16	34,000	12.5	15.0	33,000	3.80	7.8	19,400	2.42
3015646	38QRR036---3	CAP**3621A**	58PH*110-20	34,000	12.5	15.0	33,000	3.84	8.0	19,400	2.44
3757317	38QRR036---3	CAP**3621A**	58UVB060-14	33,800	12.5	14.5	33,000	3.70	7.8	19,200	2.38
3757326	38QRR036---3	CAP**3621A**	58UVB080-14	33,800	12.5	14.5	33,000	3.64	7.7	19,300	2.34
3757336	38QRR036---3	CAP**3621A**	58UVB080-20	33,800	12.5	14.5	33,000	3.70	7.8	19,200	2.36
3757358	38QRR036---3	CAP**3621A**	58UVB100-20	33,800	12.5	14.5	33,000	3.70	7.8	19,200	2.38
3835445	38QRR036---3	CAP**3621A**	58VLR120-20	33,600	12.0	14.5	33,000	3.76	7.8	19,000	2.40
3835444	38QRR036---3	CAP**3621A**	58VMR120-20	33,600	12.0	14.5	33,000	3.72	7.8	19,100	2.38
4209465	38QRR036---3	CAP**3621A**	OVLAAB048112	33,800	11.5	13.5	33,800	3.60	7.7	19,800	2.30
1146910	38QRR036---3	CAP**3621A**+TDR		34,000	11.0	13.0	34,000	3.62	7.7	20,200	2.30
1147070	38QRR036---3	CAP**4221A**	58CV(A,X)090-16	34,200	12.5	15.0	33,200	3.78	7.9	19,200	2.40
1146928	38QRR036---3	CAP**4221A**	58CV(A,X)110-20	34,200	12.5	15.0	33,000	3.78	7.9	19,300	2.40
3112714	38QRR036---3	CAP**4221A**	58ME(B,C)100-20	34,200	12.0	14.5	33,200	3.84	7.8	19,200	2.44
1392223	38QRR036---3	CAP**4221A**	58MV(B,C)060-14	34,200	12.5	15.0	33,200	3.74	7.9	19,200	2.38
1393606	38QRR036---3	CAP**4221A**	58MV(B,C)080-14	34,000	12.5	14.5	33,000	3.70	7.8	19,300	2.36
1395139	38QRR036---3	CAP**4221A**	58MV(B,C)080-20	34,200	12.5	14.5	33,000	3.74	7.9	19,300	2.38
1396881	38QRR036---3	CAP**4221A**	58MV(B,C)100-20	34,200	12.5	15.0	33,000	3.76	7.9	19,300	2.38
3015647	38QRR036---3	CAP**4221A**	58PH*090-16	34,400	12.5	15.0	33,400	3.86	8.0	19,400	2.44
3015648	38QRR036---3	CAP**4221A**	58PH*110-20	34,400	12.5	15.0	33,400	3.88	8.0	19,400	2.46
3757318	38QRR036---3	CAP**4221A**	58UVB060-14	34,200	12.5	15.0	33,200	3.74	7.9	19,200	2.38
3757327	38QRR036---3	CAP**4221A**	58UVB080-14	34,000	12.5	14.5	33,000	3.70	7.8	19,300	2.36
3757337	38QRR036---3	CAP**4221A**	58UVB080-20	34,200	12.5	14.5	33,000	3.74	7.9	19,300	2.38
3757359	38QRR036---3	CAP**4221A**	58UVB100-20	34,200	12.5	15.0	33,000	3.76	7.9	19,300	2.38
3835447	38QRR036---3	CAP**4221A**	58VLR120-20	34,000	12.0	14.5	33,000	3.80	7.8	19,100	2.42
3835446	38QRR036---3	CAP**4221A**	58VMR120-20	34,000	12.0	14.5	33,200	3.74	7.8	19,100	2.40

See notes on page 40

# COMBINATION RATINGS CONTINUED

AHR Ref. No.	Model Number	Coil Model Number	Furnace Model Number	Cooling Capacity	EER	SEER	High Temp		HSPF	Low Temp	
							E Capacity	E COP		H Capacity	H COP
4209466	38QRR036---3	CAP**4221A**	OVLAAB048112	34,000	11.5	13.5	34,000	3.64	7.7	19,900	2.32
1146920	38QRR036---3	CAP**4221A**+TDR		34,400	11.0	13.0	34,400	3.68	7.8	20,200	2.30
1147078	38QRR036---3	CAP**4224A**	58CV(A,X)110-20	34,200	12.5	15.0	33,200	3.80	8.0	19,200	2.42
1146936	38QRR036---3	CAP**4224A**	58CV(A,X)135-22	34,400	13.0	15.0	33,000	3.80	8.0	19,200	2.42
1146938	38QRR036---3	CAP**4224A**	58CV(A,X)155-22	34,400	13.0	15.0	33,000	3.84	8.0	19,100	2.44
3835448	38QRR036---3	CAP**4224A**	58HVD100--20	34,000	12.0	14.5	33,200	3.86	8.0	19,500	2.44
1393618	38QRR036---3	CAP**4224A**	58MV(B,C)080-14	34,000	12.5	14.5	33,200	3.70	7.8	19,300	2.36
1395153	38QRR036---3	CAP**4224A**	58MV(B,C)080-20	34,200	12.5	14.5	33,200	3.74	7.9	19,300	2.38
1396895	38QRR036---3	CAP**4224A**	58MV(B,C)100-20	34,200	12.5	15.0	33,200	3.76	7.9	19,300	2.40
1398529	38QRR036---3	CAP**4224A**	58MV(B,C)120-20	34,200	12.5	15.0	33,000	3.76	7.9	19,200	2.40
3757328	38QRR036---3	CAP**4224A**	58UVB080-14	34,000	12.5	14.5	33,200	3.70	7.8	19,300	2.36
3757338	38QRR036---3	CAP**4224A**	58UVB080-20	34,200	12.5	14.5	33,200	3.74	7.9	19,300	2.38
3757360	38QRR036---3	CAP**4224A**	58UVB100-20	34,200	12.5	15.0	33,200	3.76	7.9	19,300	2.40
3757379	38QRR036---3	CAP**4224A**	58UVB120-20	34,200	12.5	15.0	33,000	3.76	7.9	19,200	2.40
1146930	38QRR036---3	CAP**4224A**+TDR		34,400	11.0	13.0	34,400	3.68	7.8	20,200	2.30
3835544	38QRR036---3	CAP**4823A**	58HVD080--20	34,400	12.0	14.5	34,000	3.94	8.2	19,900	2.44
3835543	38QRR036---3	CAP**4823A**+TDR		34,400	11.0	13.0	34,000	3.74	7.8	20,400	2.34
1146978	38QRR036---3	CNPH*3617A**	58CV(A,X)070-12	33,800	12.0	14.0	33,000	3.64	7.7	19,300	2.34
1146980	38QRR036---3	CNPH*3617A**	58CV(A,X)090-16	34,000	12.5	14.5	33,000	3.68	7.8	19,200	2.36
1146982	38QRR036---3	CNPH*3617A**	58CV(A,X)110-20	34,000	12.5	14.5	33,000	3.68	7.8	19,300	2.36
1146984	38QRR036---3	CNPH*3617A**	58CV(A,X)135-22	34,000	12.5	14.5	33,000	3.70	7.8	19,200	2.36
1146986	38QRR036---3	CNPH*3617A**	58CV(A,X)155-22	34,000	12.5	14.5	33,000	3.72	7.9	19,200	2.38
3835475	38QRR036---3	CNPH*3617A**	58HVD060--12	33,600	11.0	13.5	33,000	3.64	7.7	19,600	2.32
3835476	38QRR036---3	CNPH*3617A**	58HVD080--20	33,600	11.5	14.0	33,000	3.74	7.8	19,700	2.38
3835477	38QRR036---3	CNPH*3617A**	58HVD100--20	33,600	11.5	14.0	33,000	3.72	7.8	19,400	2.38
3618282	38QRR036---3	CNPH*3617A**	58ME(B,C)040-12	33,800	12.0	14.5	33,200	3.70	7.8	19,300	2.38
3112730	38QRR036---3	CNPH*3617A**	58ME(B,C)060-12	33,800	12.0	14.5	33,000	3.70	7.8	19,400	2.38
3112731	38QRR036---3	CNPH*3617A**	58ME(B,C)080-12	33,800	12.0	14.5	33,000	3.70	7.8	19,300	2.38
3112732	38QRR036---3	CNPH*3617A**	58ME(B,C)080-16	33,800	12.0	14.5	33,000	3.70	7.8	19,400	2.38
3112733	38QRR036---3	CNPH*3617A**	58ME(B,C)100-20	33,800	12.0	14.5	33,000	3.68	7.8	19,100	2.38
3112729	38QRR036---3	CNPH*3617A**	58MEB040-12	33,800	12.0	14.5	33,200	3.70	7.8	19,300	2.38
1392213	38QRR036---3	CNPH*3617A**	58MV(B,C)060-14	33,800	12.5	14.5	33,000	3.66	7.7	19,300	2.34
1395145	38QRR036---3	CNPH*3617A**	58MV(B,C)080-20	33,800	12.5	14.5	33,000	3.64	7.7	19,300	2.34
1396887	38QRR036---3	CNPH*3617A**	58MV(B,C)100-20	33,800	12.5	14.5	33,000	3.66	7.8	19,300	2.36
1398531	38QRR036---3	CNPH*3617A**	58MV(B,C)120-20	33,800	12.5	14.5	33,000	3.66	7.7	19,200	2.36
3015654	38QRR036---3	CNPH*3617A**	58PH*070-16	33,800	11.5	14.0	33,000	3.62	7.7	19,500	2.32
3015655	38QRR036---3	CNPH*3617A**	58PH*090-16	34,000	12.0	14.5	33,000	3.72	7.8	19,300	2.38
3015656	38QRR036---3	CNPH*3617A**	58PH*110-20	34,000	12.0	14.5	33,000	3.74	7.8	19,300	2.40
3835479	38QRR036---3	CNPH*3617A**	58VLR105-12	33,600	11.5	14.0	33,000	3.68	7.7	19,500	2.36
3835481	38QRR036---3	CNPH*3617A**	58VLR120-20	33,600	12.0	14.5	33,000	3.72	7.8	19,100	2.38
3835478	38QRR036---3	CNPH*3617A**	58VLR105-12	33,600	11.5	14.0	33,000	3.62	7.7	19,200	2.32
3835480	38QRR036---3	CNPH*3617A**	58VLR120-20	33,600	12.0	14.5	33,000	3.66	7.7	19,200	2.36
4209472	38QRR036---3	CNPH*3617A**	OVLAAB060154	34,000	11.5	13.5	34,000	3.70	7.8	20,200	2.34
1146966	38QRR036---3	CNPH*3617A**+TDR		34,000	11.0	13.0	34,000	3.62	7.7	20,200	2.28
1147002	38QRR036---3	CNPH*4221A**	58CV(A,X)070-12	34,200	12.5	15.0	33,200	3.76	7.9	19,300	2.40
1147004	38QRR036---3	CNPH*4221A**	58CV(A,X)090-16	34,200	13.0	15.0	33,000	3.82	8.0	19,200	2.44
1147006	38QRR036---3	CNPH*4221A**	58CV(A,X)110-20	34,200	13.0	15.0	33,200	3.84	8.0	19,200	2.44
1147008	38QRR036---3	CNPH*4221A**	58CV(A,X)135-22	34,200	13.0	15.0	33,000	3.86	8.0	19,100	2.46
1147010	38QRR036---3	CNPH*4221A**	58CV(A,X)155-22	34,200	13.0	15.0	33,000	3.88	8.0	19,100	2.46
3835482	38QRR036---3	CNPH*4221A**	58HVD040--12	33,800	11.0	13.5	33,200	3.62	7.7	19,800	2.30
3835483	38QRR036---3	CNPH*4221A**	58HVD060--12	33,800	11.5	14.0	33,200	3.72	7.8	19,700	2.36
3835484	38QRR036---3	CNPH*4221A**	58HVD080--20	33,800	12.0	14.5	33,200	3.84	8.0	19,800	2.42
3835485	38QRR036---3	CNPH*4221A**	58HVD100--20	33,800	12.0	14.5	33,200	3.82	7.8	19,500	2.42
3618283	38QRR036---3	CNPH*4221A**	58ME(B,C)040-12	34,200	12.0	14.5	33,200	3.82	7.8	19,400	2.42
3112735	38QRR036---3	CNPH*4221A**	58ME(B,C)060-12	34,200	12.0	14.5	33,200	3.82	7.8	19,500	2.42
3112736	38QRR036---3	CNPH*4221A**	58ME(B,C)080-12	34,200	12.0	14.5	33,200	3.80	7.8	19,400	2.42
3112737	38QRR036---3	CNPH*4221A**	58ME(B,C)080-16	34,200	12.0	14.5	33,200	3.80	7.8	19,500	2.42
3112738	38QRR036---3	CNPH*4221A**	58ME(B,C)100-20	34,200	12.0	14.5	33,200	3.80	7.8	19,200	2.42
3112734	38QRR036---3	CNPH*4221A**	58MEB040-12	34,200	12.0	14.5	33,200	3.82	7.8	19,400	2.42
1392215	38QRR036---3	CNPH*4221A**	58MV(B,C)060-14	34,200	13.0	15.0	33,200	3.80	8.0	19,200	2.42
1393612	38QRR036---3	CNPH*4221A**	58MV(B,C)080-14	34,200	12.5	15.0	33,200	3.76	7.9	19,300	2.40
1395147	38QRR036---3	CNPH*4221A**	58MV(B,C)080-20	34,200	12.5	15.0	33,200	3.78	7.9	19,300	2.40
1396889	38QRR036---3	CNPH*4221A**	58MV(B,C)100-20	34,200	13.0	15.0	33,200	3.80	8.0	19,200	2.42
1398533	38QRR036---3	CNPH*4221A**	58MV(B,C)120-20	34,200	13.0	15.0	33,000	3.82	8.0	19,100	2.42
3015657	38QRR036---3	CNPH*4221A**	58PH*045-08	34,200	11.5	14.0	33,400	3.66	7.8	19,800	2.32
3015658	38QRR036---3	CNPH*4221A**	58PH*070-16	34,200	11.5	14.0	33,400	3.72	7.8	19,600	2.36
3015659	38QRR036---3	CNPH*4221A**	58PH*090-16	34,400	12.5	15.0	33,400	3.82	7.8	19,400	2.42
3015660	38QRR036---3	CNPH*4221A**	58PH*110-20	34,400	12.5	15.0	33,400	3.86	8.0	19,400	2.44
3835487	38QRR036---3	CNPH*4221A**	58VLR105-12	33,800	12.0	14.5	33,200	3.76	7.8	19,500	2.38
3835489	38QRR036---3	CNPH*4221A**	58VLR120-20	33,800	12.0	14.5	33,200	3.80	7.8	19,100	2.42
3835486	38QRR036---3	CNPH*4221A**	58VLR105-12	33,800	12.0	14.5	33,200	3.70	7.7	19,200	2.36
3835488	38QRR036---3	CNPH*4221A**	58VLR120-20	33,800	12.0	14.5	33,200	3.74	7.8	19,200	2.38
4209474	38QRR036---3	CNPH*4221A**	OVLAAB048112	34,000	11.5	13.5	34,000	3.62	7.7	20,000	2.30
4209475	38QRR036---3	CNPH*4221A**	OVLAAB060154	34,400	11.5	13.5	34,400	3.80	7.8	20,200	2.38
4209473	38QRR036---3	CNPH*4221A**	OVMAAB042112	34,000	11.5	13.5	33,800	3.60	7.7	19,800	2.30
1146988	38QRR036---3	CNPH*4221A**+TDR		34,400	11.0	13.0	34,400	3.68	7.8	20,200	2.32
3835497	38QRR036---3	CNPH*4321A**	58CV(A,X)070-12	34,200	12.0	14.5	33,600	3.88	8.0	19,400	2.42
3835498	38QRR036---3	CNPH*4321A**	58CV(A,X)090-16	34,200	12.0	14.5	33,600	3.94	8.2	19,300	2.46
3835499	38QRR036---3	CNPH*4321A**	58CV(A,X)110-20	34,200	12.0	14.5	33,600	3.96	8.2	19,400	2.46

38QRR

See notes on page 40

# COMBINATION RATINGS CONTINUED

AHR Ref. No.	Model Number	Coil Model Number	Furnace Model Number	Cooling Capacity	EER	SEER	High Temp		HSPF	Low Temp	
							E Capacity	E COP		H Capacity	H COP
3835500	38QRR036---3	CNPH*4321A**	58CV(A,X)135-22	34,200	12.0	14.5	33,600	3.98	8.2	19,300	2.48
3835501	38QRR036---3	CNPH*4321A**	58CV(A,X)155-22	34,200	12.0	14.5	33,400	4.02	8.2	19,200	2.50
3835511	38QRR036---3	CNPH*4321A**	58HDV040--12	34,200	11.5	14.0	33,600	3.80	7.8	20,000	2.36
3835512	38QRR036---3	CNPH*4321A**	58HDV060--12	34,200	12.0	14.5	33,600	3.90	8.2	20,000	2.42
3835513	38QRR036---3	CNPH*4321A**	58HDV080--20	34,200	12.0	14.5	33,600	4.04	8.2	20,000	2.48
3835514	38QRR036---3	CNPH*4321A**	58HDV100--20	34,200	12.0	14.5	33,600	4.04	8.2	19,700	2.48
3835507	38QRR036---3	CNPH*4321A**	58ME(B,C)060-12	34,200	12.0	14.5	33,600	4.02	8.2	19,700	2.48
3835508	38QRR036---3	CNPH*4321A**	58ME(B,C)080-12	34,200	12.0	14.5	33,600	4.00	8.2	19,500	2.48
3835509	38QRR036---3	CNPH*4321A**	58ME(B,C)080-16	34,200	12.0	14.5	33,600	4.00	8.2	19,600	2.48
3835510	38QRR036---3	CNPH*4321A**	58ME(B,C)100-20	34,200	12.0	14.5	33,600	4.02	8.2	19,400	2.50
3835506	38QRR036---3	CNPH*4321A**	58MEB040-12	34,200	12.0	14.5	33,600	4.02	8.2	19,500	2.48
3835492	38QRR036---3	CNPH*4321A**	58MV(B,C)060-14	34,200	12.0	14.5	33,600	3.98	8.2	19,500	2.46
3835493	38QRR036---3	CNPH*4321A**	58MV(B,C)080-14	34,200	12.0	14.5	33,600	3.92	8.2	19,500	2.44
3835494	38QRR036---3	CNPH*4321A**	58MV(B,C)080-20	34,200	12.0	14.5	33,600	3.92	8.2	19,400	2.44
3835495	38QRR036---3	CNPH*4321A**	58MV(B,C)100-20	34,200	12.0	14.5	33,600	3.96	8.2	19,500	2.46
3835496	38QRR036---3	CNPH*4321A**	58MV(B,C)120-20	34,200	12.0	14.5	33,600	3.96	8.2	19,300	2.46
3835491	38QRR036---3	CNPH*4321A**	58MVB040-14	34,200	12.0	14.5	33,600	3.88	8.0	19,400	2.42
3835502	38QRR036---3	CNPH*4321A**	58PH*045-08	34,200	12.0	14.5	33,600	3.84	7.8	20,000	2.38
3835503	38QRR036---3	CNPH*4321A**	58PH*070-16	34,200	12.0	14.5	33,600	3.90	8.0	19,700	2.42
3835504	38QRR036---3	CNPH*4321A**	58PH*090-16	34,200	12.0	14.5	33,600	4.04	8.2	19,500	2.50
3835505	38QRR036---3	CNPH*4321A**	58PH*110-20	34,200	12.0	14.5	33,600	4.08	8.2	19,600	2.52
3835516	38QRR036---3	CNPH*4321A**	58VLR105-12	34,200	12.0	14.5	33,600	3.94	8.2	19,600	2.44
3835518	38QRR036---3	CNPH*4321A**	58VLR120-20	34,200	12.0	14.5	33,600	3.96	8.2	19,300	2.48
3835515	38QRR036---3	CNPH*4321A**	58VMR105-12	34,200	12.0	14.5	33,600	3.88	8.0	19,300	2.42
3835517	38QRR036---3	CNPH*4321A**	58VMR120-20	34,200	12.0	14.5	33,600	3.92	8.2	19,300	2.44
4209477	38QRR036---3	CNPH*4321A**	OVLAAB036098	34,200	11.5	13.5	34,200	3.70	7.8	20,000	2.32
4209479	38QRR036---3	CNPH*4321A**	OVLAAB048112	34,200	11.5	13.5	34,200	3.80	7.8	20,000	2.36
4209480	38QRR036---3	CNPH*4321A**	OVLAAB060154	34,200	12.0	14.5	34,200	3.98	8.2	20,400	2.44
4209476	38QRR036---3	CNPH*4321A**	OVMAAB036098	34,400	11.5	13.5	34,400	3.72	7.8	20,000	2.32
4209478	38QRR036---3	CNPH*4321A**	OVMAAB042112	34,200	11.5	13.5	34,200	3.78	7.8	19,900	2.36
3835490	38QRR036---3	CNPH*4321A**+TDR		34,200	11.0	13.0	33,600	3.82	7.8	20,400	2.36
1147080	38QRR036---3	CNPV*3617A**	58CV(A,X)070-12	33,800	12.0	14.0	33,200	3.64	7.7	19,300	2.34
1146944	38QRR036---3	CNPV*3617A**	58CV(A,X)090-16	33,800	12.5	14.5	33,000	3.68	7.8	19,200	2.36
3618280	38QRR036---3	CNPV*3617A**	58ME(B,C)040-12	33,800	12.0	14.5	33,000	3.70	7.8	19,300	2.38
3112716	38QRR036---3	CNPV*3617A**	58ME(B,C)060-12	33,800	12.0	14.5	33,000	3.70	7.8	19,400	2.38
3112717	38QRR036---3	CNPV*3617A**	58ME(B,C)080-12	33,800	12.0	14.5	33,000	3.70	7.8	19,300	2.38
3112718	38QRR036---3	CNPV*3617A**	58ME(B,C)080-16	33,800	12.0	14.5	33,000	3.70	7.8	19,400	2.38
3112715	38QRR036---3	CNPV*3617A**	58MEB040-12	33,800	12.0	14.5	33,000	3.70	7.8	19,300	2.38
1392211	38QRR036---3	CNPV*3617A**	58MV(B,C)060-14	33,800	12.5	14.5	33,000	3.66	7.7	19,300	2.34
3015649	38QRR036---3	CNPV*3617A**	58PH*070-16	33,800	11.5	14.0	33,000	3.62	7.7	19,500	2.32
3758655	38QRR036---3	CNPV*3617A**	58UVB060-14	33,800	12.5	14.5	33,000	3.66	7.7	19,300	2.34
3835452	38QRR036---3	CNPV*3617A**	58VLR105-12	33,600	11.5	14.0	33,000	3.68	7.7	19,500	2.36
3835451	38QRR036---3	CNPV*3617A**	58VMR105-12	33,600	11.5	14.0	33,000	3.62	7.7	19,200	2.32
1146940	38QRR036---3	CNPV*3617A**+TDR		34,000	11.0	13.0	34,000	3.62	7.7	20,200	2.28
1147084	38QRR036---3	CNPV*3621A**	58CV(A,X)090-16	33,800	12.5	14.5	33,000	3.68	7.8	19,200	2.36
1146954	38QRR036---3	CNPV*3621A**	58CV(A,X)110-20	33,800	12.5	14.5	33,000	3.70	7.8	19,300	2.36
3112719	38QRR036---3	CNPV*3621A**	58ME(B,C)100-20	33,800	12.0	14.5	33,000	3.70	7.8	19,100	2.38
1392225	38QRR036---3	CNPV*3621A**	58MV(B,C)060-14	33,800	12.5	14.5	33,000	3.66	7.7	19,200	2.34
1393608	38QRR036---3	CNPV*3621A**	58MV(B,C)080-14	33,600	12.0	14.0	33,000	3.60	7.7	19,400	2.32
1395141	38QRR036---3	CNPV*3621A**	58MV(B,C)080-20	33,800	12.5	14.5	33,000	3.66	7.7	19,300	2.34
1396883	38QRR036---3	CNPV*3621A**	58MV(B,C)100-20	33,800	12.5	14.5	33,000	3.66	7.8	19,300	2.36
3015650	38QRR036---3	CNPV*3621A**	58PH*090-16	34,000	12.0	14.5	33,000	3.72	7.8	19,300	2.38
3015651	38QRR036---3	CNPV*3621A**	58PH*110-20	34,000	12.0	14.5	33,000	3.76	7.8	19,300	2.40
3758656	38QRR036---3	CNPV*3621A**	58UVB060-14	33,800	12.5	14.5	33,000	3.66	7.7	19,200	2.34
3758665	38QRR036---3	CNPV*3621A**	58UVB080-14	33,600	12.0	14.0	33,000	3.60	7.7	19,400	2.32
3758672	38QRR036---3	CNPV*3621A**	58UVB080-20	33,800	12.5	14.5	33,000	3.66	7.7	19,300	2.34
3758688	38QRR036---3	CNPV*3621A**	58UVB100-20	33,800	12.5	14.5	33,000	3.66	7.8	19,300	2.36
3835454	38QRR036---3	CNPV*3621A**	58VLR120-20	33,600	12.0	14.5	33,000	3.72	7.8	19,100	2.38
3835453	38QRR036---3	CNPV*3621A**	58VMR120-20	33,600	12.0	14.5	33,000	3.68	7.7	19,200	2.36
1146946	38QRR036---3	CNPV*3621A**+TDR		34,000	11.0	13.0	34,000	3.62	7.7	20,200	2.28
3835457	38QRR036---3	CNPV*3717A**	58CV(A,X)090-16	34,200	12.0	14.5	33,600	3.94	8.0	19,300	2.46
3835460	38QRR036---3	CNPV*3717A**	58ME(B,C)060-12	34,200	12.0	14.5	33,600	4.00	8.2	19,600	2.46
3835461	38QRR036---3	CNPV*3717A**	58ME(B,C)080-12	34,200	12.0	14.5	33,600	3.98	8.2	19,500	2.46
3835462	38QRR036---3	CNPV*3717A**	58ME(B,C)080-16	34,200	12.0	14.5	33,600	3.98	8.2	19,600	2.46
3835459	38QRR036---3	CNPV*3717A**	58MEB040-12	34,200	12.0	14.5	33,600	3.98	8.2	19,500	2.48
3835456	38QRR036---3	CNPV*3717A**	58MV(B,C)060-14	34,200	12.0	14.5	33,600	3.96	8.0	19,500	2.46
3835458	38QRR036---3	CNPV*3717A**	58PH*070-16	34,200	12.0	14.5	33,600	3.88	8.0	19,700	2.42
4706941	38QRR036---3	CNPV*3717A**	58UVB060-14	35,200	12.7	15.2	33,600	3.94	8.0	19,500	2.44
3835702	38QRR036---3	CNPV*3717A**	58UVB080-12	34,200	12.0	14.5	33,600	3.98	8.2	19,500	2.46
3835703	38QRR036---3	CNPV*3717A**	58UVB080-16	34,200	12.0	14.5	33,600	3.98	8.2	19,600	2.46
3835464	38QRR036---3	CNPV*3717A**	58VLR105-12	34,200	12.0	14.5	33,600	3.92	8.0	19,600	2.44
3835463	38QRR036---3	CNPV*3717A**	58VMR105-12	34,200	12.0	14.5	33,600	3.86	7.8	19,300	2.40
4209468	38QRR036---3	CNPV*3717A**	OVLAAB036098	34,200	11.5	13.5	34,000	3.68	7.8	20,000	2.30
4209467	38QRR036---3	CNPV*3717A**	OVMAAB036098	34,200	11.5	13.5	34,000	3.70	7.8	20,000	2.30
4209469	38QRR036---3	CNPV*3717A**	OVMAAB042112	34,800	11.5	13.5	34,000	3.76	7.8	19,900	2.34
3835455	38QRR036---3	CNPV*3717A**+TDR		34,200	11.0	13.0	33,600	3.82	7.8	20,400	2.36
3112722	38QRR036---3	CNPV*4217A**	58CV(A,X)090-16	34,200	12.0	14.5	33,200	3.82	7.8	19,300	2.42
3618281	38QRR036---3	CNPV*4217A**	58ME(B,C)040-12	34,200	12.0	14.5	33,200	3.88	7.8	19,500	2.44
3112725	38QRR036---3	CNPV*4217A**	58ME(B,C)060-12	34,200	12.0	14.5	33,200	3.88	7.8	19,600	2.44

See notes on page 40

# COMBINATION RATINGS CONTINUED

AHR Ref. No.	Model Number	Coil Model Number	Furnace Model Number	Cooling Capacity	EER	SEER	High Temp		HSPF	Low Temp	
							E Capacity	E COP		H Capacity	H COP
3112726	38QRR036---3	CNPV*4217A**	58ME(B,C)080-12	34,200	12.0	14.5	33,200	3.86	7.8	19,500	2.42
3112727	38QRR036---3	CNPV*4217A**	58ME(B,C)080-16	34,200	12.0	14.5	33,200	3.88	7.8	19,600	2.44
3112724	38QRR036---3	CNPV*4217A**	58MEB040-12	34,200	12.0	14.5	33,200	3.88	7.8	19,500	2.44
3112721	38QRR036---3	CNPV*4217A**	58MV(B,C)060-14	34,200	12.0	14.5	33,200	3.84	7.8	19,500	2.42
3112723	38QRR036---3	CNPV*4217A**	58PH*070-16	34,200	12.0	14.5	33,200	3.78	7.8	19,600	2.38
3758812	38QRR036---3	CNPV*4217A**	58UVB060-14	34,200	12.0	14.5	33,200	3.84	7.8	19,500	2.42
3835466	38QRR036---3	CNPV*4217A**	58VLR105-12	34,000	12.0	14.5	33,200	3.80	7.8	19,500	2.40
3835465	38QRR036---3	CNPV*4217A**	58VLR105-12	34,000	12.0	14.5	33,200	3.74	7.8	19,300	2.38
4209470	38QRR036---3	CNPV*4217A**	OVMAAB042112	34,000	11.5	13.5	34,000	3.66	7.7	19,800	2.32
3112720	38QRR036---3	CNPV*4217A**+TDR		34,400	11.0	13.0	34,400	3.74	7.8	20,400	2.34
1147088	38QRR036---3	CNPV*4221A**	58CV(A,X)090-16	34,200	13.0	15.0	33,000	3.82	8.0	19,200	2.44
1146964	38QRR036---3	CNPV*4221A**	58CV(A,X)110-20	34,200	13.0	15.0	33,200	3.84	8.0	19,200	2.44
3112728	38QRR036---3	CNPV*4221A**	58ME(B,C)100-20	34,200	12.0	14.5	33,200	3.80	7.8	19,200	2.42
1392227	38QRR036---3	CNPV*4221A**	58MV(B,C)060-14	34,200	13.0	15.0	33,200	3.80	8.0	19,200	2.42
1393610	38QRR036---3	CNPV*4221A**	58MV(B,C)080-14	34,200	12.5	15.0	33,200	3.76	7.9	19,300	2.40
1395143	38QRR036---3	CNPV*4221A**	58MV(B,C)080-20	34,200	12.5	15.0	33,200	3.78	7.9	19,300	2.40
1396885	38QRR036---3	CNPV*4221A**	58MV(B,C)100-20	34,200	13.0	15.0	33,200	3.80	8.0	19,200	2.42
3015652	38QRR036---3	CNPV*4221A**	58PH*090-16	34,400	12.0	15.0	33,400	3.82	7.8	19,400	2.42
3015653	38QRR036---3	CNPV*4221A**	58PH*110-20	34,400	12.0	15.0	33,400	3.86	8.0	19,400	2.44
3758657	38QRR036---3	CNPV*4221A**	58UVB060-14	34,200	13.0	15.0	33,200	3.80	8.0	19,200	2.42
3758666	38QRR036---3	CNPV*4221A**	58UVB080-14	34,200	12.5	15.0	33,200	3.76	7.9	19,300	2.40
3758673	38QRR036---3	CNPV*4221A**	58UVB080-20	34,200	12.5	15.0	33,200	3.78	7.9	19,300	2.40
3758689	38QRR036---3	CNPV*4221A**	58UVB100-20	34,200	13.0	15.0	33,200	3.80	8.0	19,200	2.42
3835468	38QRR036---3	CNPV*4221A**	58VLR120-20	34,000	12.0	14.5	33,200	3.80	7.8	19,100	2.42
3835467	38QRR036---3	CNPV*4221A**	58VLR120-20	34,000	12.0	14.5	33,200	3.74	7.8	19,200	2.38
4209471	38QRR036---3	CNPV*4221A**	OVLAAB048112	34,000	11.5	13.5	34,000	3.62	7.7	20,000	2.30
1146956	38QRR036---3	CNPV*4221A**+TDR		34,200	11.0	13.0	34,400	3.68	7.8	20,200	2.32
3835472	38QRR036---3	CNPV*4324A**	58CV(A,X)135-22	34,400	12.0	14.5	33,400	4.00	8.2	19,200	2.48
3835473	38QRR036---3	CNPV*4324A**	58CV(A,X)155-22	34,400	12.0	14.5	33,400	4.02	8.2	19,200	2.50
4149640	38QRR036---3	CNPV*4324A**	58HDV100--20	34,400	12.0	14.5	33,800	4.06	8.2	19,800	2.50
3835474	38QRR036---3	CNPV*4324A**	58HDV100--20 (DWNFLW ONLY)	34,400	12.0	14.5	33,800	4.06	8.2	19,800	2.50
3835471	38QRR036---3	CNPV*4324A**	58MV(B,C)120-20	34,400	12.0	14.5	33,600	3.98	8.2	19,300	2.48
3835470	38QRR036---3	CNPV*4324A**	58MVB040-14	34,400	12.0	14.5	33,600	3.90	8.0	19,400	2.42
3835469	38QRR036---3	CNPV*4324A**+TDR		34,400	11.0	13.0	34,000	3.82	7.8	20,400	2.36
1147028	38QRR036---3	CSPH*3612A**	58CV(A,X)070-12	33,800	12.5	14.5	33,000	3.78	7.9	19,500	2.38
1147030	38QRR036---3	CSPH*3612A**	58CV(A,X)090-16	33,800	13.0	15.0	33,000	3.84	8.0	19,400	2.42
1147032	38QRR036---3	CSPH*3612A**	58CV(A,X)110-20	33,800	13.0	15.0	33,000	3.86	8.0	19,400	2.42
1147034	38QRR036---3	CSPH*3612A**	58CV(A,X)135-22	33,800	13.0	15.0	33,000	3.86	8.0	19,300	2.44
1147036	38QRR036---3	CSPH*3612A**	58CV(A,X)155-22	33,800	13.0	15.0	33,000	3.88	8.0	19,300	2.46
3835519	38QRR036---3	CSPH*3612A**	58HDV040--12	33,600	11.5	14.0	33,000	3.68	7.7	19,800	2.32
3835520	38QRR036---3	CSPH*3612A**	58HDV060--12	33,600	11.5	14.0	33,000	3.78	7.8	19,800	2.38
3835521	38QRR036---3	CSPH*3612A**	58HDV080--20	33,600	12.0	14.5	33,000	3.90	8.0	19,900	2.44
3835522	38QRR036---3	CSPH*3612A**	58HDV100--20	33,600	12.0	14.5	33,000	3.88	8.0	19,600	2.44
3618284	38QRR036---3	CSPH*3612A**	58ME(B,C)040-12	33,800	12.0	14.5	33,000	3.90	7.8	19,500	2.44
3112740	38QRR036---3	CSPH*3612A**	58ME(B,C)060-12	33,800	12.0	14.5	33,000	3.90	7.8	19,600	2.44
3112741	38QRR036---3	CSPH*3612A**	58ME(B,C)080-12	33,800	12.0	14.5	33,000	3.88	7.8	19,500	2.44
3112742	38QRR036---3	CSPH*3612A**	58ME(B,C)080-16	33,800	12.0	14.5	33,000	3.90	7.8	19,600	2.44
3112743	38QRR036---3	CSPH*3612A**	58ME(B,C)100-20	33,800	12.0	14.5	33,000	3.88	7.8	19,300	2.44
3112739	38QRR036---3	CSPH*3612A**	58MEB040-12	33,800	12.0	14.5	33,000	3.90	7.8	19,500	2.44
1392217	38QRR036---3	CSPH*3612A**	58MV(B,C)060-14	33,800	12.5	15.0	33,000	3.80	8.0	19,400	2.40
1393614	38QRR036---3	CSPH*3612A**	58MV(B,C)080-14	33,800	12.5	14.5	33,000	3.74	7.9	19,500	2.36
1395149	38QRR036---3	CSPH*3612A**	58MV(B,C)080-20	33,800	12.5	15.0	33,000	3.80	8.0	19,400	2.40
1396891	38QRR036---3	CSPH*3612A**	58MV(B,C)100-20	33,800	12.5	15.0	33,000	3.82	8.0	19,400	2.40
1398535	38QRR036---3	CSPH*3612A**	58MV(B,C)120-20	33,800	13.0	15.0	33,000	3.82	8.0	19,300	2.40
3015661	38QRR036---3	CSPH*3612A**	58PH*045-08	34,000	11.5	14.0	33,000	3.74	7.8	19,900	2.34
3015662	38QRR036---3	CSPH*3612A**	58PH*070-16	34,000	12.0	14.5	33,000	3.78	7.8	19,700	2.38
3015663	38QRR036---3	CSPH*3612A**	58PH*090-16	34,000	12.5	15.0	33,000	3.90	8.0	19,500	2.46
3015664	38QRR036---3	CSPH*3612A**	58PH*110-20	34,000	12.5	15.0	33,000	3.94	8.0	19,500	2.46
3835524	38QRR036---3	CSPH*3612A**	58VLR105-12	33,600	12.0	14.5	33,000	3.82	7.8	19,600	2.40
3835526	38QRR036---3	CSPH*3612A**	58VLR120-20	33,600	12.0	14.5	33,000	3.86	8.0	19,200	2.44
3835523	38QRR036---3	CSPH*3612A**	58VLR105-12	33,600	12.0	14.5	33,000	3.74	7.8	19,300	2.38
3835525	38QRR036---3	CSPH*3612A**	58VLR120-20	33,600	12.0	14.5	33,000	3.80	7.8	19,300	2.40
4209482	38QRR036---3	CSPH*3612A**	OVLAAB048112	34,000	11.5	13.5	34,000	3.68	7.8	20,000	2.32
4209483	38QRR036---3	CSPH*3612A**	OVLAAB060154	34,000	11.5	13.5	34,000	3.86	7.8	20,400	2.40
4209481	38QRR036---3	CSPH*3612A**	OVMAAB042112	34,000	11.5	13.5	34,000	3.66	7.8	19,800	2.32
1147014	38QRR036---3	CSPH*3612A**+TDR		33,800	11.0	13.0	34,000	3.76	7.9	20,400	2.34
1147052	38QRR036---3	CSPH*4212A**	58CV(A,X)070-12	34,200	12.5	15.0	33,200	3.82	8.0	19,500	2.40
1147054	38QRR036---3	CSPH*4212A**	58CV(A,X)090-16	34,200	13.0	15.0	33,200	3.88	8.0	19,400	2.44
1147056	38QRR036---3	CSPH*4212A**	58CV(A,X)110-20	34,200	13.0	15.0	33,200	3.90	8.0	19,400	2.44
1147058	38QRR036---3	CSPH*4212A**	58CV(A,X)135-22	34,200	13.0	15.0	33,200	3.90	8.0	19,400	2.44
1147060	38QRR036---3	CSPH*4212A**	58CV(A,X)155-22	34,200	13.0	15.0	33,200	3.94	8.0	19,300	2.48
3835527	38QRR036---3	CSPH*4212A**	58HDV040--12	34,000	11.5	14.0	33,400	3.72	7.8	19,900	2.34
3835528	38QRR036---3	CSPH*4212A**	58HDV060--12	34,000	12.0	14.5	33,400	3.82	7.8	19,900	2.38
3835529	38QRR036---3	CSPH*4212A**	58HDV080--20	34,000	12.0	14.5	33,400	3.96	8.2	19,900	2.46
3835530	38QRR036---3	CSPH*4212A**	58HDV100--20	34,000	12.0	14.5	33,400	3.94	8.2	19,700	2.46
3618285	38QRR036---3	CSPH*4212A**	58ME(B,C)040-12	34,200	12.0	14.5	33,200	3.96	7.8	19,600	2.46
3112745	38QRR036---3	CSPH*4212A**	58ME(B,C)060-12	34,200	12.0	14.5	33,200	3.96	7.8	19,600	2.46
3112746	38QRR036---3	CSPH*4212A**	58ME(B,C)080-12	34,200	12.0	14.5	33,200	3.94	7.8	19,500	2.46

See notes on page 40

38QRR

# COMBINATION RATINGS CONTINUED

AHR Ref. No.	Model Number	Coil Model Number	Furnace Model Number	Cooling Capacity	EER	SEER	High Temp		HSPF	Low Temp	
							E Capacity	E COP		H Capacity	H COP
3112747	38QRR036---3	CSPH*4212A**	58ME(B,C)080-16	34,200	12.0	14.5	33,200	3.96	7.8	19,600	2.46
3112748	38QRR036---3	CSPH*4212A**	58ME(B,C)100-20	34,200	12.0	14.5	33,200	3.94	7.8	19,400	2.48
3112744	38QRR036---3	CSPH*4212A**	58MEB040-12	34,200	12.0	14.5	33,200	3.96	7.8	19,600	2.46
1392219	38QRR036---3	CSPH*4212A**	58MV(B,C)060-14	34,200	13.0	15.0	33,200	3.86	8.0	19,400	2.42
1393616	38QRR036---3	CSPH*4212A**	58MV(B,C)080-14	34,200	12.5	14.5	33,200	3.80	8.0	19,500	2.38
1395151	38QRR036---3	CSPH*4212A**	58MV(B,C)080-20	34,200	13.0	15.0	33,200	3.84	8.0	19,400	2.42
1396893	38QRR036---3	CSPH*4212A**	58MV(B,C)100-20	34,200	13.0	15.0	33,200	3.86	8.0	19,400	2.42
1398537	38QRR036---3	CSPH*4212A**	58MV(B,C)120-20	34,200	13.0	15.0	33,200	3.86	8.0	19,400	2.42
3015665	38QRR036---3	CSPH*4212A**	58PH*045-08	34,400	11.5	14.0	33,400	3.78	7.8	19,900	2.36
3015666	38QRR036---3	CSPH*4212A**	58PH*070-16	34,400	12.0	14.5	33,400	3.84	8.0	19,700	2.40
3015667	38QRR036---3	CSPH*4212A**	58PH*090-16	34,400	12.5	15.0	33,400	3.96	8.0	19,500	2.48
3015668	38QRR036---3	CSPH*4212A**	58PH*110-20	34,400	12.5	15.0	33,400	4.00	8.0	19,500	2.50
3835532	38QRR036---3	CSPH*4212A**	58VLR105-12	34,000	12.0	14.5	33,400	3.86	8.0	19,600	2.42
3835534	38QRR036---3	CSPH*4212A**	58VLR120-20	34,000	12.0	14.5	33,400	3.88	8.0	19,200	2.44
3835531	38QRR036---3	CSPH*4212A**	58VLR105-12	34,000	12.0	14.5	33,400	3.78	7.8	19,300	2.40
3835533	38QRR036---3	CSPH*4212A**	58VLR120-20	34,000	12.0	14.5	33,400	3.84	7.8	19,300	2.42
4209485	38QRR036---3	CSPH*4212A**	OVLAAB036098	34,200	11.5	13.5	34,000	3.62	7.7	19,900	2.28
4209487	38QRR036---3	CSPH*4212A**	OVLAAB048112	34,200	11.5	13.5	34,000	3.72	7.8	20,000	2.34
4209488	38QRR036---3	CSPH*4212A**	OVLAAB060154	34,200	11.5	14.0	34,000	3.90	8.2	20,400	2.42
4209484	38QRR036---3	CSPH*4212A**	OVMAAB036098	34,200	11.5	13.5	34,000	3.64	7.7	20,000	2.30
4209486	38QRR036---3	CSPH*4212A**	OVMAAB042112	34,200	11.5	13.5	34,000	3.70	7.8	19,800	2.34
3835535	38QRR036---3	FB4CNF036+TXV		33,800	11.0	13.5	33,800	3.72	7.8	19,700	2.34
3835536	38QRR036---3	FB4CNF042+TXV		34,600	12.0	14.5	33,800	3.94	8.2	19,700	2.46
3835537	38QRR036---3	FB4CNF048+TXV		34,600	12.0	14.5	33,800	3.92	8.2	19,800	2.44
1147098	38QRR036---3	FE4AN(B,F)003+UI		34,200	13.0	15.0	33,000	3.78	8.0	19,200	2.42
1147100	38QRR036---3	FE4AN(B,F)005+UI		35,400	13.0	15.0	33,600	4.00	8.0	19,400	2.50
1147102	38QRR036---3	FE4ANB006+UI		35,800	13.5	15.5	33,600	4.12	8.5	19,400	2.56
1147096	38QRR036---3	FE4ANF002+UI		34,000	12.5	14.5	33,400	3.72	7.9	19,400	2.36
3405881	38QRR036---3	FV4CN(B,F)003		34,200	13.0	15.0	33,000	3.78	8.0	19,200	2.42
3405882	38QRR036---3	FV4CN(B,F)005		35,400	13.0	15.0	33,600	4.00	8.0	19,400	2.50
3405883	38QRR036---3	FV4CNB006		35,800	13.5	15.5	33,600	4.12	8.5	19,400	2.56
3405880	38QRR036---3	FV4CNF002		34,000	12.5	14.5	33,400	3.72	7.9	19,400	2.36
3835540	38QRR036---3	FX4DN(B,F)037		34,800	12.0	14.5	33,800	3.96	8.2	19,600	2.48
3835541	38QRR036---3	FX4DN(B,F)043		34,800	12.0	14.5	33,800	3.96	8.2	19,600	2.48
3835542	38QRR036---3	FX4DN(B,F)049		35,000	12.0	14.5	33,800	4.08	8.2	19,700	2.52
3835539	38QRR036---3	FY5BNF042+TXV		34,600	11.5	14.0	34,000	3.80	7.8	20,000	2.38
3836293	38QRR036---5	†FY5BNF036+TXV		34,000	11.0	13.0	34,000	3.72	7.8	19,800	2.34
1150302	38QRR036---5	CAP**3614A**	58CV(A,X)070-12	33,800	12.0	14.0	33,000	3.64	7.7	19,400	2.34
1150264	38QRR036---5	CAP**3617A**	58CV(A,X)070-12	33,800	12.0	14.0	33,200	3.66	7.7	19,300	2.34
1150308	38QRR036---5	CAP**3617A**	58CV(A,X)090-16	33,800	12.5	14.5	33,000	3.70	7.8	19,200	2.38
3618324	38QRR036---5	CAP**3617A**	58ME(B,C)040-12	33,800	12.0	14.5	33,000	3.76	7.8	19,400	2.40
3116561	38QRR036---5	CAP**3617A**	58ME(B,C)060-12	33,800	12.0	14.5	33,000	3.76	7.8	19,400	2.40
3116562	38QRR036---5	CAP**3617A**	58ME(B,C)080-12	33,800	12.0	14.5	33,000	3.74	7.8	19,400	2.38
3116563	38QRR036---5	CAP**3617A**	58ME(B,C)080-16	33,800	12.0	14.5	33,000	3.76	7.8	19,400	2.40
3116560	38QRR036---5	CAP**3617A**	58MEB040-12	33,800	12.0	14.5	33,000	3.76	7.8	19,400	2.40
1392229	38QRR036---5	CAP**3617A**	58MV(B,C)060-14	33,800	12.5	14.5	33,000	3.68	7.8	19,200	2.36
3015681	38QRR036---5	CAP**3617A**	58PH*070-16	34,000	11.5	14.0	33,000	3.66	7.8	19,500	2.34
3757319	38QRR036---5	CAP**3617A**	58UVB060-14	33,800	12.5	14.5	33,000	3.68	7.8	19,200	2.36
3836198	38QRR036---5	CAP**3617A**	58VLR105-12	33,600	12.0	14.5	33,000	3.72	7.8	19,400	2.36
3836197	38QRR036---5	CAP**3617A**	58VLR105-12	33,600	12.0	14.5	33,000	3.64	7.7	19,100	2.34
1150304	38QRR036---5	CAP**3617A**+TDR		34,000	11.0	13.0	34,000	3.62	7.7	20,200	2.30
3836205	38QRR036---5	CAP**3619A**	58HVD060--12	33,600	11.5	14.0	33,000	3.68	7.7	19,700	2.34
3836204	38QRR036---5	CAP**3619A**+TDR		33,600	11.0	13.0	33,000	3.64	7.7	20,200	2.30
1150268	38QRR036---5	CAP**3621A**	58CV(A,X)090-16	33,800	12.5	15.0	33,000	3.72	7.9	19,200	2.38
1150318	38QRR036---5	CAP**3621A**	58CV(A,X)110-20	33,800	12.5	15.0	33,000	3.74	7.9	19,200	2.40
3116564	38QRR036---5	CAP**3621A**	58ME(B,C)100-20	33,800	12.0	14.5	33,000	3.78	7.8	19,200	2.42
1392231	38QRR036---5	CAP**3621A**	58MV(B,C)060-14	33,800	12.5	14.5	33,000	3.70	7.8	19,200	2.38
1393626	38QRR036---5	CAP**3621A**	58MV(B,C)080-14	33,800	12.5	14.5	33,000	3.64	7.7	19,300	2.34
1395177	38QRR036---5	CAP**3621A**	58MV(B,C)080-20	33,800	12.5	14.5	33,000	3.70	7.8	19,200	2.36
1396926	38QRR036---5	CAP**3621A**	58MV(B,C)100-20	33,800	12.5	14.5	33,000	3.70	7.8	19,200	2.38
3015682	38QRR036---5	CAP**3621A**	58PH*090-16	34,000	12.5	15.0	33,000	3.80	7.8	19,400	2.42
3015683	38QRR036---5	CAP**3621A**	58PH*110-20	34,000	12.5	15.0	33,000	3.84	8.0	19,400	2.44
3757320	38QRR036---5	CAP**3621A**	58UVB060-14	33,800	12.5	14.5	33,000	3.70	7.8	19,200	2.38
3757331	38QRR036---5	CAP**3621A**	58UVB080-14	33,800	12.5	14.5	33,000	3.64	7.7	19,300	2.34
3757343	38QRR036---5	CAP**3621A**	58UVB080-20	33,800	12.5	14.5	33,000	3.70	7.8	19,200	2.36
3757367	38QRR036---5	CAP**3621A**	58UVB100-20	33,800	12.5	14.5	33,000	3.70	7.8	19,200	2.38
3836200	38QRR036---5	CAP**3621A**	58VLR120-20	33,600	12.0	14.5	33,000	3.76	7.8	19,000	2.40
3836199	38QRR036---5	CAP**3621A**	58VLR120-20	33,600	12.0	14.5	33,000	3.72	7.8	19,100	2.38
1150112	38QRR036---5	CAP**3621A**+TDR		34,000	11.0	13.0	34,000	3.62	7.7	20,200	2.30
1150470	38QRR036---5	CAP**4221A**	58CV(A,X)090-16	34,200	12.5	15.0	33,200	3.78	7.9	19,200	2.40
1150130	38QRR036---5	CAP**4221A**	58CV(A,X)110-20	34,200	12.5	15.0	33,000	3.78	7.9	19,300	2.40
3116565	38QRR036---5	CAP**4221A**	58ME(B,C)100-20	34,200	12.0	14.5	33,200	3.84	7.8	19,200	2.44
1392241	38QRR036---5	CAP**4221A**	58MV(B,C)060-14	34,200	12.5	15.0	33,200	3.74	7.9	19,200	2.38
1393620	38QRR036---5	CAP**4221A**	58MV(B,C)080-14	34,000	12.5	14.5	33,000	3.70	7.8	19,300	2.36
1395179	38QRR036---5	CAP**4221A**	58MV(B,C)080-20	34,200	12.5	14.5	33,000	3.74	7.9	19,300	2.38
1396919	38QRR036---5	CAP**4221A**	58MV(B,C)100-20	34,200	12.5	15.0	33,000	3.76	7.9	19,300	2.38
3015684	38QRR036---5	CAP**4221A**	58PH*090-16	34,400	12.5	15.0	33,400	3.86	8.0	19,400	2.44
3015685	38QRR036---5	CAP**4221A**	58PH*110-20	34,400	12.5	15.0	33,400	3.88	8.0	19,400	2.46

See notes on page 40

# COMBINATION RATINGS CONTINUED

AHR Ref. No.	Model Number	Coil Model Number	Furnace Model Number	Cooling Capacity	EER	SEER	High Temp		HSPF	Low Temp	
							E Capacity	E COP		H Capacity	H COP
3757321	38QRR036---5	CAP**4221A**	58UVB060-14	34,200	12.5	15.0	33,200	3.74	7.9	19,200	2.38
3757329	38QRR036---5	CAP**4221A**	58UVB080-14	34,000	12.5	14.5	33,000	3.70	7.8	19,300	2.36
3757344	38QRR036---5	CAP**4221A**	58UVB080-20	34,200	12.5	14.5	33,000	3.74	7.9	19,300	2.38
3757365	38QRR036---5	CAP**4221A**	58UVB100-20	34,200	12.5	15.0	33,000	3.76	7.9	19,300	2.38
3836202	38QRR036---5	CAP**4221A**	58VLR120-20	34,000	12.0	14.5	33,000	3.80	7.8	19,100	2.42
3836201	38QRR036---5	CAP**4221A**	58VMR120-20	34,000	12.0	14.5	33,200	3.74	7.8	19,100	2.40
1150320	38QRR036---5	CAP**4221A**+TDR		34,400	11.0	13.0	34,400	3.68	7.8	20,200	2.30
1150280	38QRR036---5	CAP**4224A**	58CV(A,X)110-20	34,200	12.5	15.0	33,200	3.80	8.0	19,200	2.42
1150336	38QRR036---5	CAP**4224A**	58CV(A,X)135-22	34,400	13.0	15.0	33,000	3.80	8.0	19,200	2.42
1150140	38QRR036---5	CAP**4224A**	58CV(A,X)155-22	34,400	13.0	15.0	33,000	3.84	8.0	19,100	2.44
3836203	38QRR036---5	CAP**4224A**	58HDV100--20	34,000	12.0	14.5	33,200	3.86	8.0	19,500	2.44
1393625	38QRR036---5	CAP**4224A**	58MV(B,C)080-14	34,000	12.5	14.5	33,200	3.70	7.8	19,300	2.36
1395191	38QRR036---5	CAP**4224A**	58MV(B,C)080-20	34,200	12.5	14.5	33,200	3.74	7.9	19,300	2.38
1396925	38QRR036---5	CAP**4224A**	58MV(B,C)100-20	34,200	12.5	15.0	33,200	3.76	7.9	19,300	2.40
1398555	38QRR036---5	CAP**4224A**	58MV(B,C)120-20	34,200	12.5	15.0	33,000	3.76	7.9	19,200	2.40
3757330	38QRR036---5	CAP**4224A**	58UVB080-14	34,000	12.5	14.5	33,200	3.70	7.8	19,300	2.36
3757345	38QRR036---5	CAP**4224A**	58UVB080-20	34,200	12.5	14.5	33,200	3.74	7.9	19,300	2.38
3757366	38QRR036---5	CAP**4224A**	58UVB100-20	34,200	12.5	15.0	33,200	3.76	7.9	19,300	2.40
3757382	38QRR036---5	CAP**4224A**	58UVB120-20	34,200	12.5	15.0	33,000	3.76	7.9	19,200	2.40
1150132	38QRR036---5	CAP**4224A**+TDR		34,400	11.0	13.0	34,400	3.68	7.8	20,200	2.30
3836299	38QRR036---5	CAP**4823A**	58HDV080--20	34,400	12.0	14.5	34,000	3.94	8.2	19,900	2.44
3836298	38QRR036---5	CAP**4823A**+TDR		34,400	11.0	13.0	34,000	3.74	7.8	20,400	2.34
1150180	38QRR036---5	CNPH*3617A**	58CV(A,X)070-12	33,800	12.0	14.0	33,000	3.64	7.7	19,300	2.34
1150380	38QRR036---5	CNPH*3617A**	58CV(A,X)090-16	34,000	12.5	14.5	33,000	3.68	7.8	19,200	2.36
1150184	38QRR036---5	CNPH*3617A**	58CV(A,X)110-20	34,000	12.5	14.5	33,000	3.68	7.8	19,300	2.36
1150384	38QRR036---5	CNPH*3617A**	58CV(A,X)135-22	34,000	12.5	14.5	33,000	3.70	7.8	19,200	2.36
1150188	38QRR036---5	CNPH*3617A**	58CV(A,X)155-22	34,000	12.5	14.5	33,000	3.72	7.9	19,200	2.38
3836230	38QRR036---5	CNPH*3617A**	58HDV060--12	33,600	11.0	13.5	33,000	3.64	7.7	19,600	2.32
3836231	38QRR036---5	CNPH*3617A**	58HDV080--20	33,600	11.5	14.0	33,000	3.74	7.8	19,700	2.38
3836232	38QRR036---5	CNPH*3617A**	58HDV100--20	33,600	11.5	14.0	33,000	3.72	7.8	19,400	2.38
3618328	38QRR036---5	CNPH*3617A**	58ME(B,C)040-12	33,800	12.0	14.5	33,200	3.70	7.8	19,300	2.38
3116581	38QRR036---5	CNPH*3617A**	58ME(B,C)060-12	33,800	12.0	14.5	33,000	3.70	7.8	19,400	2.38
3116582	38QRR036---5	CNPH*3617A**	58ME(B,C)080-12	33,800	12.0	14.5	33,000	3.70	7.8	19,300	2.38
3116583	38QRR036---5	CNPH*3617A**	58ME(B,C)080-16	33,800	12.0	14.5	33,000	3.70	7.8	19,400	2.38
3116584	38QRR036---5	CNPH*3617A**	58ME(B,C)100-20	33,800	12.0	14.5	33,000	3.68	7.8	19,100	2.38
3116580	38QRR036---5	CNPH*3617A**	58MEB040-12	33,800	12.0	14.5	33,200	3.70	7.8	19,300	2.38
1392230	38QRR036---5	CNPH*3617A**	58MV(B,C)060-14	33,800	12.5	14.5	33,000	3.66	7.7	19,300	2.34
1395183	38QRR036---5	CNPH*3617A**	58MV(B,C)080-20	33,800	12.5	14.5	33,000	3.64	7.7	19,300	2.34
1396921	38QRR036---5	CNPH*3617A**	58MV(B,C)100-20	33,800	12.5	14.5	33,000	3.66	7.8	19,300	2.36
1398557	38QRR036---5	CNPH*3617A**	58MV(B,C)120-20	33,800	12.5	14.5	33,000	3.66	7.7	19,200	2.36
3015691	38QRR036---5	CNPH*3617A**	58PH*070-16	33,800	11.5	14.0	33,000	3.62	7.7	19,500	2.32
3015692	38QRR036---5	CNPH*3617A**	58PH*090-16	34,000	12.0	14.5	33,000	3.72	7.8	19,300	2.38
3015693	38QRR036---5	CNPH*3617A**	58PH*110-20	34,000	12.0	14.5	33,000	3.74	7.8	19,300	2.40
3836234	38QRR036---5	CNPH*3617A**	58VLR105-12	33,600	11.5	14.0	33,000	3.68	7.7	19,500	2.36
3836236	38QRR036---5	CNPH*3617A**	58VLR120-20	33,600	12.0	14.5	33,000	3.72	7.8	19,100	2.38
3836233	38QRR036---5	CNPH*3617A**	58VMR105-12	33,600	11.5	14.0	33,000	3.62	7.7	19,200	2.32
3836235	38QRR036---5	CNPH*3617A**	58VMR120-20	33,600	12.0	14.5	33,000	3.66	7.7	19,200	2.36
1150168	38QRR036---5	CNPH*3617A**+TDR		34,000	11.0	13.0	34,000	3.62	7.7	20,200	2.28
1150402	38QRR036---5	CNPH*4221A**	58CV(A,X)070-12	34,200	12.5	15.0	33,200	3.76	7.9	19,300	2.40
1150206	38QRR036---5	CNPH*4221A**	58CV(A,X)090-16	34,200	13.0	15.0	33,000	3.82	8.0	19,200	2.44
1150406	38QRR036---5	CNPH*4221A**	58CV(A,X)110-20	34,200	13.0	15.0	33,200	3.84	8.0	19,200	2.44
1150210	38QRR036---5	CNPH*4221A**	58CV(A,X)135-22	34,200	13.0	15.0	33,000	3.86	8.0	19,100	2.46
1150410	38QRR036---5	CNPH*4221A**	58CV(A,X)155-22	34,200	13.0	15.0	33,000	3.88	8.0	19,100	2.46
3836237	38QRR036---5	CNPH*4221A**	58HDV040--12	33,800	11.0	13.5	33,200	3.62	7.7	19,800	2.30
3836238	38QRR036---5	CNPH*4221A**	58HDV060--12	33,800	11.5	14.0	33,200	3.72	7.8	19,700	2.36
3836239	38QRR036---5	CNPH*4221A**	58HDV080--20	33,800	12.0	14.5	33,200	3.84	8.0	19,800	2.42
3836240	38QRR036---5	CNPH*4221A**	58HDV100--20	33,800	12.0	14.5	33,200	3.82	7.8	19,500	2.42
3618329	38QRR036---5	CNPH*4221A**	58ME(B,C)040-12	34,200	12.0	14.5	33,200	3.82	7.8	19,400	2.42
3116586	38QRR036---5	CNPH*4221A**	58ME(B,C)060-12	34,200	12.0	14.5	33,200	3.82	7.8	19,500	2.42
3116587	38QRR036---5	CNPH*4221A**	58ME(B,C)080-12	34,200	12.0	14.5	33,200	3.80	7.8	19,400	2.42
3116588	38QRR036---5	CNPH*4221A**	58ME(B,C)080-16	34,200	12.0	14.5	33,200	3.80	7.8	19,500	2.42
3116589	38QRR036---5	CNPH*4221A**	58ME(B,C)100-20	34,200	12.0	14.5	33,200	3.80	7.8	19,200	2.42
3116585	38QRR036---5	CNPH*4221A**	58MEB040-12	34,200	12.0	14.5	33,200	3.82	7.8	19,400	2.42
1392235	38QRR036---5	CNPH*4221A**	58MV(B,C)060-14	34,200	13.0	15.0	33,200	3.80	8.0	19,200	2.42
1393622	38QRR036---5	CNPH*4221A**	58MV(B,C)080-14	34,200	12.5	15.0	33,200	3.76	7.9	19,300	2.40
1395185	38QRR036---5	CNPH*4221A**	58MV(B,C)080-20	34,200	12.5	15.0	33,200	3.78	7.9	19,300	2.40
1396922	38QRR036---5	CNPH*4221A**	58MV(B,C)100-20	34,200	13.0	15.0	33,200	3.80	8.0	19,200	2.42
1398559	38QRR036---5	CNPH*4221A**	58MV(B,C)120-20	34,200	13.0	15.0	33,000	3.82	8.0	19,100	2.42
3015694	38QRR036---5	CNPH*4221A**	58PH*045-08	34,200	11.5	14.0	33,400	3.66	7.8	19,800	2.32
3015695	38QRR036---5	CNPH*4221A**	58PH*070-16	34,200	11.5	14.0	33,400	3.72	7.8	19,600	2.36
3015696	38QRR036---5	CNPH*4221A**	58PH*090-16	34,400	12.5	15.0	33,400	3.82	7.8	19,400	2.42
3015697	38QRR036---5	CNPH*4221A**	58PH*110-20	34,400	12.5	15.0	33,400	3.86	8.0	19,400	2.44
3836242	38QRR036---5	CNPH*4221A**	58VLR105-12	33,800	12.0	14.5	33,200	3.76	7.8	19,500	2.38
3836244	38QRR036---5	CNPH*4221A**	58VLR120-20	33,800	12.0	14.5	33,200	3.80	7.8	19,100	2.42
3836241	38QRR036---5	CNPH*4221A**	58VMR105-12	33,800	12.0	14.5	33,200	3.70	7.7	19,200	2.36
3836243	38QRR036---5	CNPH*4221A**	58VMR120-20	33,800	12.0	14.5	33,200	3.74	7.8	19,200	2.38
1150190	38QRR036---5	CNPH*4221A**+TDR		34,400	11.0	13.0	34,400	3.68	7.8	20,200	2.32
3836252	38QRR036---5	CNPH*4321A**	58CV(A,X)070-12	34,200	12.0	14.5	33,600	3.88	8.0	19,400	2.42
3836253	38QRR036---5	CNPH*4321A**	58CV(A,X)090-16	34,200	12.0	14.5	33,600	3.94	8.2	19,300	2.46

38QRR

See notes on page 40

# COMBINATION RATINGS CONTINUED

AHR Ref. No.	Model Number	Coil Model Number	Furnace Model Number	Cooling Capacity	EER	SEER	High Temp		HSPF	Low Temp	
							E Capacity	E COP		H Capacity	H COP
3836254	38QRR036---5	CNPH*4321A**	58CV(A,X)110-20	34,200	12.0	14.5	33,600	3.96	8.2	19,400	2.46
3836255	38QRR036---5	CNPH*4321A**	58CV(A,X)135-22	34,200	12.0	14.5	33,600	3.98	8.2	19,300	2.48
3836256	38QRR036---5	CNPH*4321A**	58CV(A,X)155-22	34,200	12.0	14.5	33,400	4.02	8.2	19,200	2.50
3836266	38QRR036---5	CNPH*4321A**	58HDV040--12	34,200	11.5	14.0	33,600	3.80	7.8	20,000	2.36
3836267	38QRR036---5	CNPH*4321A**	58HDV060--12	34,200	12.0	14.5	33,600	3.90	8.2	20,000	2.42
3836268	38QRR036---5	CNPH*4321A**	58HDV080--20	34,200	12.0	14.5	33,600	4.04	8.2	20,000	2.48
3836269	38QRR036---5	CNPH*4321A**	58HDV100--20	34,200	12.0	14.5	33,600	4.04	8.2	19,700	2.48
3836262	38QRR036---5	CNPH*4321A**	58ME(B,C)060-12	34,200	12.0	14.5	33,600	4.02	8.2	19,700	2.48
3836263	38QRR036---5	CNPH*4321A**	58ME(B,C)080-12	34,200	12.0	14.5	33,600	4.00	8.2	19,500	2.48
3836264	38QRR036---5	CNPH*4321A**	58ME(B,C)080-16	34,200	12.0	14.5	33,600	4.00	8.2	19,600	2.48
3836265	38QRR036---5	CNPH*4321A**	58ME(B,C)100-20	34,200	12.0	14.5	33,600	4.02	8.2	19,400	2.50
3836261	38QRR036---5	CNPH*4321A**	58MEB040-12	34,200	12.0	14.5	33,600	4.02	8.2	19,500	2.48
3836247	38QRR036---5	CNPH*4321A**	58MV(B,C)060-14	34,200	12.0	14.5	33,600	3.98	8.2	19,500	2.46
3836248	38QRR036---5	CNPH*4321A**	58MV(B,C)080-14	34,200	12.0	14.5	33,600	3.92	8.2	19,500	2.44
3836249	38QRR036---5	CNPH*4321A**	58MV(B,C)080-20	34,200	12.0	14.5	33,600	3.92	8.2	19,400	2.44
3836250	38QRR036---5	CNPH*4321A**	58MV(B,C)100-20	34,200	12.0	14.5	33,600	3.96	8.2	19,500	2.46
3836251	38QRR036---5	CNPH*4321A**	58MV(B,C)120-20	34,200	12.0	14.5	33,600	3.96	8.2	19,300	2.46
3836246	38QRR036---5	CNPH*4321A**	58MV(B,C)040-14	34,200	12.0	14.5	33,600	3.88	8.0	19,400	2.42
3836257	38QRR036---5	CNPH*4321A**	58PH*045-08	34,200	12.0	14.5	33,600	3.84	7.8	20,000	2.38
3836258	38QRR036---5	CNPH*4321A**	58PH*070-16	34,200	12.0	14.5	33,600	3.90	8.0	19,700	2.42
3836259	38QRR036---5	CNPH*4321A**	58PH*090-16	34,200	12.0	14.5	33,600	4.04	8.2	19,500	2.50
3836260	38QRR036---5	CNPH*4321A**	58PH*110-20	34,200	12.0	14.5	33,600	4.08	8.2	19,600	2.52
3836271	38QRR036---5	CNPH*4321A**	58VLR105-12	34,200	12.0	14.5	33,600	3.94	8.2	19,600	2.44
3836273	38QRR036---5	CNPH*4321A**	58VLR120-20	34,200	12.0	14.5	33,600	3.96	8.2	19,300	2.48
3836270	38QRR036---5	CNPH*4321A**	58VMR105-12	34,200	12.0	14.5	33,600	3.88	8.0	19,300	2.42
3836272	38QRR036---5	CNPH*4321A**	58VMR120-20	34,200	12.0	14.5	33,600	3.92	8.2	19,300	2.44
3836245	38QRR036---5	CNPH*4321A**+TDR		34,200	11.0	13.0	33,600	3.82	7.8	20,400	2.36
1150480	38QRR036---5	CNPV*3617A**	58CV(A,X)070-12	33,800	12.0	14.0	33,200	3.64	7.7	19,300	2.34
1150146	38QRR036---5	CNPV*3617A**	58CV(A,X)090-16	33,800	12.5	14.5	33,000	3.68	7.8	19,200	2.36
3618325	38QRR036---5	CNPV*3617A**	58ME(B,C)040-12	33,800	12.0	14.5	33,000	3.70	7.8	19,300	2.38
3116567	38QRR036---5	CNPV*3617A**	58ME(B,C)060-12	33,800	12.0	14.5	33,000	3.70	7.8	19,400	2.38
3116568	38QRR036---5	CNPV*3617A**	58ME(B,C)080-12	33,800	12.0	14.5	33,000	3.70	7.8	19,300	2.38
3116569	38QRR036---5	CNPV*3617A**	58ME(B,C)080-16	33,800	12.0	14.5	33,000	3.70	7.8	19,400	2.38
3116566	38QRR036---5	CNPV*3617A**	58MEB040-12	33,800	12.0	14.5	33,000	3.70	7.8	19,300	2.38
1392233	38QRR036---5	CNPV*3617A**	58MV(B,C)060-14	33,800	12.5	14.5	33,000	3.66	7.7	19,300	2.34
3015586	38QRR036---5	CNPV*3617A**	58PH*070-16	33,800	11.5	14.0	33,000	3.62	7.7	19,500	2.32
3758659	38QRR036---5	CNPV*3617A**	58UVB060-14	33,800	12.5	14.5	33,000	3.66	7.7	19,300	2.34
3836207	38QRR036---5	CNPV*3617A**	58VLR105-12	33,600	11.5	14.0	33,000	3.68	7.7	19,500	2.36
3836206	38QRR036---5	CNPV*3617A**	58VMR105-12	33,600	11.5	14.0	33,000	3.62	7.7	19,200	2.32
1150142	38QRR036---5	CNPV*3617A**+TDR		34,000	11.0	13.0	34,000	3.62	7.7	20,200	2.28
1150484	38QRR036---5	CNPV*3621A**	58CV(A,X)090-16	33,800	12.5	14.5	33,000	3.68	7.8	19,200	2.36
1150156	38QRR036---5	CNPV*3621A**	58CV(A,X)110-20	33,800	12.5	14.5	33,000	3.70	7.8	19,300	2.36
3116570	38QRR036---5	CNPV*3621A**	58ME(B,C)100-20	33,800	12.0	14.5	33,000	3.70	7.8	19,100	2.38
1392243	38QRR036---5	CNPV*3621A**	58MV(B,C)060-14	33,800	12.5	14.5	33,000	3.66	7.7	19,200	2.34
1393621	38QRR036---5	CNPV*3621A**	58MV(B,C)080-14	33,600	12.0	14.0	33,000	3.60	7.7	19,400	2.32
1395181	38QRR036---5	CNPV*3621A**	58MV(B,C)080-20	33,800	12.5	14.5	33,000	3.66	7.7	19,300	2.34
1396920	38QRR036---5	CNPV*3621A**	58MV(B,C)100-20	33,800	12.5	14.5	33,000	3.66	7.8	19,300	2.36
3015587	38QRR036---5	CNPV*3621A**	58PH*090-16	34,000	12.0	14.5	33,000	3.72	7.8	19,300	2.38
3015588	38QRR036---5	CNPV*3621A**	58PH*110-20	34,000	12.0	14.5	33,000	3.76	7.8	19,300	2.40
3758660	38QRR036---5	CNPV*3621A**	58UVB060-14	33,800	12.5	14.5	33,000	3.66	7.7	19,200	2.34
3758667	38QRR036---5	CNPV*3621A**	58UVB080-14	33,600	12.0	14.0	33,000	3.60	7.7	19,400	2.32
3758678	38QRR036---5	CNPV*3621A**	58UVB080-20	33,800	12.5	14.5	33,000	3.66	7.7	19,300	2.34
3758693	38QRR036---5	CNPV*3621A**	58UVB100-20	33,800	12.5	14.5	33,000	3.66	7.8	19,300	2.36
3836209	38QRR036---5	CNPV*3621A**	58VLR120-20	33,600	12.0	14.5	33,000	3.72	7.8	19,100	2.38
3836208	38QRR036---5	CNPV*3621A**	58VMR120-20	33,600	12.0	14.5	33,000	3.68	7.7	19,200	2.36
1150346	38QRR036---5	CNPV*3621A**+TDR		34,000	11.0	13.0	34,000	3.62	7.7	20,200	2.28
3836212	38QRR036---5	CNPV*3717A**	58CV(A,X)090-16	34,200	12.0	14.5	33,600	3.94	8.0	19,300	2.46
3836215	38QRR036---5	CNPV*3717A**	58ME(B,C)060-12	34,200	12.0	14.5	33,600	4.00	8.2	19,600	2.46
3836216	38QRR036---5	CNPV*3717A**	58ME(B,C)080-12	34,200	12.0	14.5	33,600	3.98	8.2	19,500	2.46
3836217	38QRR036---5	CNPV*3717A**	58ME(B,C)080-16	34,200	12.0	14.5	33,600	3.98	8.2	19,600	2.46
3836214	38QRR036---5	CNPV*3717A**	58MEB040-12	34,200	12.0	14.5	33,600	3.98	8.2	19,500	2.48
3836211	38QRR036---5	CNPV*3717A**	58MV(B,C)060-14	34,200	12.0	14.5	33,600	3.96	8.0	19,500	2.46
3836213	38QRR036---5	CNPV*3717A**	58PH*070-16	34,200	12.0	14.5	33,600	3.88	8.0	19,700	2.42
4706942	38QRR036---5	CNPV*3717A**	58UVB060-14	35,200	12.7	15.2	33,600	3.94	8.0	19,500	2.44
3836301	38QRR036---5	CNPV*3717A**	58UVB080-12	34,200	12.0	14.5	33,600	3.98	8.2	19,500	2.46
3836302	38QRR036---5	CNPV*3717A**	58UVB080-16	34,200	12.0	14.5	33,600	3.98	8.2	19,600	2.46
3836219	38QRR036---5	CNPV*3717A**	58VLR105-12	34,200	12.0	14.5	33,600	3.92	8.0	19,600	2.44
3836218	38QRR036---5	CNPV*3717A**	58VMR105-12	34,200	12.0	14.5	33,600	3.86	7.8	19,300	2.40
3836210	38QRR036---5	CNPV*3717A**+TDR		34,200	11.0	13.0	33,600	3.82	7.8	20,400	2.36
3116573	38QRR036---5	CNPV*4217A**	58CV(A,X)090-16	34,200	12.0	14.5	33,200	3.82	7.8	19,300	2.42
3618327	38QRR036---5	CNPV*4217A**	58ME(B,C)040-12	34,200	12.0	14.5	33,200	3.88	7.8	19,500	2.44
3116576	38QRR036---5	CNPV*4217A**	58ME(B,C)060-12	34,200	12.0	14.5	33,200	3.88	7.8	19,600	2.44
3116577	38QRR036---5	CNPV*4217A**	58ME(B,C)080-12	34,200	12.0	14.5	33,200	3.86	7.8	19,500	2.42
3116578	38QRR036---5	CNPV*4217A**	58ME(B,C)080-16	34,200	12.0	14.5	33,200	3.88	7.8	19,600	2.44
3116575	38QRR036---5	CNPV*4217A**	58MEB040-12	34,200	12.0	14.5	33,200	3.88	7.8	19,500	2.44
3116572	38QRR036---5	CNPV*4217A**	58MV(B,C)060-14	34,200	12.0	14.5	33,200	3.84	7.8	19,500	2.42
3116574	38QRR036---5	CNPV*4217A**	58PH*070-16	34,200	12.0	14.5	33,200	3.78	7.8	19,600	2.38
3758814	38QRR036---5	CNPV*4217A**	58UVB060-14	34,200	12.0	14.5	33,200	3.84	7.8	19,500	2.42
3836221	38QRR036---5	CNPV*4217A**	58VLR105-12	34,000	12.0	14.5	33,200	3.80	7.8	19,500	2.40

See notes on page 40



# COMBINATION RATINGS CONTINUED

AHR Ref. No.	Model Number	Coil Model Number	Furnace Model Number	Cooling Capacity	EER	SEER	High Temp		HSPF	Low Temp	
							E Capacity	E COP		H Capacity	H COP
3836220	38QRR036---5	CNPV*4217A**	58VMR105-12	34,000	12.0	14.5	33,200	3.74	7.8	19,300	2.38
3116571	38QRR036---5	CNPV*4217A**+TDR		34,400	11.0	13.0	34,400	3.74	7.8	20,400	2.34
1150290	38QRR036---5	CNPV*4221A**	58CV(A,X)090-16	34,200	13.0	15.0	33,000	3.82	8.0	19,200	2.44
1150364	38QRR036---5	CNPV*4221A**	58CV(A,X)110-20	34,200	13.0	15.0	33,200	3.84	8.0	19,200	2.44
3116579	38QRR036---5	CNPV*4221A**	58ME(B,C)100-20	34,200	12.0	14.5	33,200	3.80	7.8	19,200	2.42
1392232	38QRR036---5	CNPV*4221A**	58MV(B,C)060-14	34,200	13.0	15.0	33,200	3.80	8.0	19,200	2.42
1393628	38QRR036---5	CNPV*4221A**	58MV(B,C)080-14	34,200	12.5	15.0	33,200	3.76	7.9	19,300	2.40
1395178	38QRR036---5	CNPV*4221A**	58MV(B,C)080-20	34,200	12.5	15.0	33,200	3.78	7.9	19,300	2.40
1396928	38QRR036---5	CNPV*4221A**	58MV(B,C)100-20	34,200	13.0	15.0	33,200	3.80	8.0	19,200	2.42
3015689	38QRR036---5	CNPV*4221A**	58PH*090-16	34,400	12.0	15.0	33,400	3.82	7.8	19,400	2.42
3015690	38QRR036---5	CNPV*4221A**	58PH*110-20	34,400	12.0	15.0	33,400	3.86	8.0	19,400	2.44
3758658	38QRR036---5	CNPV*4221A**	58UVB060-14	34,200	13.0	15.0	33,200	3.80	8.0	19,200	2.42
3758668	38QRR036---5	CNPV*4221A**	58UVB080-14	34,200	12.5	15.0	33,200	3.76	7.9	19,300	2.40
3758677	38QRR036---5	CNPV*4221A**	58UVB080-20	34,200	12.5	15.0	33,200	3.78	7.9	19,300	2.40
3758694	38QRR036---5	CNPV*4221A**	58UVB100-20	34,200	13.0	15.0	33,200	3.80	8.0	19,200	2.42
3836223	38QRR036---5	CNPV*4221A**	58VLR120-20	34,000	12.0	14.5	33,200	3.80	7.8	19,100	2.42
3836222	38QRR036---5	CNPV*4221A**	58VMR120-20	34,000	12.0	14.5	33,200	3.74	7.8	19,200	2.38
1150158	38QRR036---5	CNPV*4221A**+TDR		34,200	11.0	13.0	34,400	3.68	7.8	20,200	2.32
3836227	38QRR036---5	CNPV*4324A**	58CV(A,X)135-22	34,400	12.0	14.5	33,400	4.00	8.2	19,200	2.48
3836228	38QRR036---5	CNPV*4324A**	58CV(A,X)155-22	34,400	12.0	14.5	33,400	4.02	8.2	19,200	2.50
3836229	38QRR036---5	CNPV*4324A**	58HDV100--20 (DWNFLW ONLY)	34,400	12.0	14.5	33,800	4.06	8.2	19,800	2.50
3836226	38QRR036---5	CNPV*4324A**	58MV(B,C)120-20	34,400	12.0	14.5	33,600	3.98	8.2	19,300	2.48
3836225	38QRR036---5	CNPV*4324A**	58MVB040-14	34,400	12.0	14.5	33,600	3.90	8.0	19,400	2.42
3836224	38QRR036---5	CNPV*4324A**+TDR		34,400	11.0	13.0	34,000	3.82	7.8	20,400	2.36
1150428	38QRR036---5	CSPH*3612A**	58CV(A,X)070-12	33,800	12.5	14.5	33,000	3.78	7.9	19,500	2.38
1150232	38QRR036---5	CSPH*3612A**	58CV(A,X)090-16	33,800	13.0	15.0	33,000	3.84	8.0	19,400	2.42
1150432	38QRR036---5	CSPH*3612A**	58CV(A,X)110-20	33,800	13.0	15.0	33,000	3.86	8.0	19,400	2.42
1150236	38QRR036---5	CSPH*3612A**	58CV(A,X)135-22	33,800	13.0	15.0	33,000	3.86	8.0	19,300	2.44
1150436	38QRR036---5	CSPH*3612A**	58CV(A,X)155-22	33,800	13.0	15.0	33,000	3.88	8.0	19,300	2.46
3836274	38QRR036---5	CSPH*3612A**	58HDV040--12	33,600	11.5	14.0	33,000	3.68	7.7	19,800	2.32
3836275	38QRR036---5	CSPH*3612A**	58HDV060--12	33,600	11.5	14.0	33,000	3.78	7.8	19,800	2.38
3836276	38QRR036---5	CSPH*3612A**	58HDV080--20	33,600	12.0	14.5	33,000	3.90	8.0	19,900	2.44
3836277	38QRR036---5	CSPH*3612A**	58HDV100--20	33,600	12.0	14.5	33,000	3.88	8.0	19,600	2.44
3618330	38QRR036---5	CSPH*3612A**	58ME(B,C)040-12	33,800	12.0	14.5	33,000	3.90	7.8	19,500	2.44
3116591	38QRR036---5	CSPH*3612A**	58ME(B,C)060-12	33,800	12.0	14.5	33,000	3.90	7.8	19,600	2.44
3116592	38QRR036---5	CSPH*3612A**	58ME(B,C)080-12	33,800	12.0	14.5	33,000	3.88	7.8	19,500	2.44
3116593	38QRR036---5	CSPH*3612A**	58ME(B,C)080-16	33,800	12.0	14.5	33,000	3.90	7.8	19,600	2.44
3116594	38QRR036---5	CSPH*3612A**	58ME(B,C)100-20	33,800	12.0	14.5	33,000	3.88	7.8	19,300	2.44
3116590	38QRR036---5	CSPH*3612A**	58MEB040-12	33,800	12.0	14.5	33,000	3.90	7.8	19,500	2.44
1392237	38QRR036---5	CSPH*3612A**	58MV(B,C)060-14	33,800	12.5	15.0	33,000	3.80	8.0	19,400	2.40
1393623	38QRR036---5	CSPH*3612A**	58MV(B,C)080-14	33,800	12.5	14.5	33,000	3.74	7.9	19,500	2.36
1395187	38QRR036---5	CSPH*3612A**	58MV(B,C)080-20	33,800	12.5	15.0	33,000	3.80	8.0	19,400	2.40
1396923	38QRR036---5	CSPH*3612A**	58MV(B,C)100-20	33,800	12.5	15.0	33,000	3.82	8.0	19,400	2.40
1398561	38QRR036---5	CSPH*3612A**	58MV(B,C)120-20	33,800	13.0	15.0	33,000	3.82	8.0	19,300	2.40
3015698	38QRR036---5	CSPH*3612A**	58PH*045-08	34,000	11.5	14.0	33,000	3.74	7.8	19,900	2.34
3015699	38QRR036---5	CSPH*3612A**	58PH*070-16	34,000	12.0	14.5	33,000	3.78	7.8	19,700	2.38
3015700	38QRR036---5	CSPH*3612A**	58PH*090-16	34,000	12.5	15.0	33,000	3.90	8.0	19,500	2.46
3015701	38QRR036---5	CSPH*3612A**	58PH*110-20	34,000	12.5	15.0	33,000	3.94	8.0	19,500	2.46
3836279	38QRR036---5	CSPH*3612A**	58VLR105-12	33,600	12.0	14.5	33,000	3.82	7.8	19,600	2.40
3836281	38QRR036---5	CSPH*3612A**	58VLR120-20	33,600	12.0	14.5	33,000	3.86	8.0	19,200	2.44
3836278	38QRR036---5	CSPH*3612A**	58VMR105-12	33,600	12.0	14.5	33,000	3.74	7.8	19,300	2.38
3836280	38QRR036---5	CSPH*3612A**	58VMR120-20	33,600	12.0	14.5	33,000	3.80	7.8	19,300	2.40
1150216	38QRR036---5	CSPH*3612A**+TDR		33,800	11.0	13.0	34,000	3.76	7.9	20,400	2.34
1150452	38QRR036---5	CSPH*4212A**	58CV(A,X)070-12	34,200	12.5	15.0	33,200	3.82	8.0	19,500	2.40
1150256	38QRR036---5	CSPH*4212A**	58CV(A,X)090-16	34,200	13.0	15.0	33,200	3.88	8.0	19,400	2.44
1150456	38QRR036---5	CSPH*4212A**	58CV(A,X)110-20	34,200	13.0	15.0	33,200	3.90	8.0	19,400	2.44
1150260	38QRR036---5	CSPH*4212A**	58CV(A,X)135-22	34,200	13.0	15.0	33,200	3.90	8.0	19,400	2.44
1150460	38QRR036---5	CSPH*4212A**	58CV(A,X)155-22	34,200	13.0	15.0	33,200	3.94	8.0	19,300	2.48
3836282	38QRR036---5	CSPH*4212A**	58HDV040--12	34,000	11.5	14.0	33,400	3.72	7.8	19,900	2.34
3836283	38QRR036---5	CSPH*4212A**	58HDV060--12	34,000	12.0	14.5	33,400	3.82	7.8	19,900	2.38
3836284	38QRR036---5	CSPH*4212A**	58HDV080--20	34,000	12.0	14.5	33,400	3.96	8.2	19,900	2.46
3836285	38QRR036---5	CSPH*4212A**	58HDV100--20	34,000	12.0	14.5	33,400	3.94	8.2	19,700	2.46
3618331	38QRR036---5	CSPH*4212A**	58ME(B,C)040-12	34,200	12.0	14.5	33,200	3.96	7.8	19,600	2.46
3116596	38QRR036---5	CSPH*4212A**	58ME(B,C)060-12	34,200	12.0	14.5	33,200	3.96	7.8	19,600	2.46
3116597	38QRR036---5	CSPH*4212A**	58ME(B,C)080-12	34,200	12.0	14.5	33,200	3.94	7.8	19,500	2.46
3116598	38QRR036---5	CSPH*4212A**	58ME(B,C)080-16	34,200	12.0	14.5	33,200	3.96	7.8	19,600	2.46
3116599	38QRR036---5	CSPH*4212A**	58ME(B,C)100-20	34,200	12.0	14.5	33,200	3.94	7.8	19,400	2.48
3116595	38QRR036---5	CSPH*4212A**	58MEB040-12	34,200	12.0	14.5	33,200	3.96	7.8	19,600	2.46
1392239	38QRR036---5	CSPH*4212A**	58MV(B,C)060-14	34,200	13.0	15.0	33,200	3.86	8.0	19,400	2.42
1393624	38QRR036---5	CSPH*4212A**	58MV(B,C)080-14	34,200	12.5	14.5	33,200	3.80	8.0	19,500	2.38
1395189	38QRR036---5	CSPH*4212A**	58MV(B,C)080-20	34,200	13.0	15.0	33,200	3.84	8.0	19,400	2.42
1396924	38QRR036---5	CSPH*4212A**	58MV(B,C)100-20	34,200	13.0	15.0	33,200	3.86	8.0	19,400	2.42
1398563	38QRR036---5	CSPH*4212A**	58MV(B,C)120-20	34,200	13.0	15.0	33,200	3.86	8.0	19,400	2.42
3015702	38QRR036---5	CSPH*4212A**	58PH*045-08	34,400	11.5	14.0	33,400	3.78	7.8	19,900	2.36
3015703	38QRR036---5	CSPH*4212A**	58PH*070-16	34,400	12.0	14.5	33,400	3.84	8.0	19,700	2.40
3015704	38QRR036---5	CSPH*4212A**	58PH*090-16	34,400	12.5	15.0	33,400	3.96	8.0	19,500	2.48
3015705	38QRR036---5	CSPH*4212A**	58PH*110-20	34,400	12.5	15.0	33,400	4.00	8.0	19,500	2.50
3836287	38QRR036---5	CSPH*4212A**	58VLR105-12	34,000	12.0	14.5	33,400	3.86	8.0	19,600	2.42

See notes on page 40

# COMBINATION RATINGS CONTINUED

AHR Ref. No.	Model Number	Coil Model Number	Furnace Model Number	Cooling Capacity	EER	SEER	High Temp		HSPF	Low Temp	
							E Capacity	E COP		H Capacity	H COP
3836289	38QRR036---5	CSPH*4212A**	58VLR120-20	34,000	12.0	14.5	33,400	3.88	8.0	19,200	2.44
3836286	38QRR036---5	CSPH*4212A**	58VMR105-12	34,000	12.0	14.5	33,400	3.78	7.8	19,300	2.40
3836288	38QRR036---5	CSPH*4212A**	58VLR120-20	34,000	12.0	14.5	33,400	3.84	7.8	19,300	2.42
3836290	38QRR036---5	FB4CNF036+TXV		33,800	11.0	13.5	33,800	3.72	7.8	19,700	2.34
3836291	38QRR036---5	FB4CNF042+TXV		34,600	12.0	14.5	33,800	3.94	8.2	19,700	2.46
3836292	38QRR036---5	FB4CNF048+TXV		34,600	12.0	14.5	33,800	3.92	8.2	19,800	2.44
1150498	38QRR036---5	FE4AN(B,F)003+UI		34,200	13.0	15.0	33,000	3.78	8.0	19,200	2.42
1150500	38QRR036---5	FE4AN(B,F)005+UI		35,400	13.0	15.0	33,600	4.00	8.0	19,400	2.50
1150502	38QRR036---5	FE4ANB006+UI		35,800	13.5	15.5	33,600	4.12	8.5	19,400	2.56
1150298	38QRR036---5	FE4ANF002+UI		34,000	12.5	14.5	33,400	3.72	7.9	19,400	2.36
3405885	38QRR036---5	FV4CN(B,F)003		34,200	13.0	15.0	33,000	3.78	8.0	19,200	2.42
3405886	38QRR036---5	FV4CN(B,F)005		35,400	13.0	15.0	33,600	4.00	8.0	19,400	2.50
3405887	38QRR036---5	FV4CNB006		35,800	13.5	15.5	33,600	4.12	8.5	19,400	2.56
3405884	38QRR036---5	FV4CNF002		34,000	12.5	14.5	33,400	3.72	7.9	19,400	2.36
3836295	38QRR036---5	FX4DN(B,F)0037		34,800	12.0	14.5	33,800	3.96	8.2	19,600	2.48
3836296	38QRR036---5	FX4DN(B,F)043		34,800	12.0	14.5	33,800	3.96	8.2	19,600	2.48
3836297	38QRR036---5	FX4DN(B,F)049		35,000	12.0	14.5	33,800	4.08	8.2	19,700	2.52
3836294	38QRR036---5	FY5BNF042+TXV		34,600	11.5	14.0	34,000	3.80	7.8	20,000	2.38
3836482	38QRR036---6	†FY5BNF036+TXV		34,000	11.0	13.0	34,000	3.72	7.8	19,800	2.34
1150726	38QRR036---6	CAP**3614A**	58CV(A,X)070-12	33,800	12.0	14.0	33,000	3.64	7.7	19,400	2.34
1150886	38QRR036---6	CAP**3617A**	58CV(A,X)070-12	33,800	12.0	14.0	33,200	3.66	7.7	19,300	2.34
1150732	38QRR036---6	CAP**3617A**	58CV(A,X)090-16	33,800	12.5	14.5	33,000	3.70	7.8	19,200	2.38
3618326	38QRR036---6	CAP**3617A**	58ME(B,C)040-12	33,800	12.0	14.5	33,000	3.76	7.8	19,400	2.40
3116630	38QRR036---6	CAP**3617A**	58ME(B,C)060-12	33,800	12.0	14.5	33,000	3.76	7.8	19,400	2.40
3116631	38QRR036---6	CAP**3617A**	58ME(B,C)080-12	33,800	12.0	14.5	33,000	3.74	7.8	19,400	2.38
3116632	38QRR036---6	CAP**3617A**	58ME(B,C)080-16	33,800	12.0	14.5	33,000	3.76	7.8	19,400	2.40
3116629	38QRR036---6	CAP**3617A**	58MEB040-12	33,800	12.0	14.5	33,000	3.76	7.8	19,400	2.40
1392245	38QRR036---6	CAP**3617A**	58MV(B,C)060-14	33,800	12.5	14.5	33,000	3.68	7.8	19,200	2.36
3015707	38QRR036---6	CAP**3617A**	58PH*070-16	34,000	11.5	14.0	33,000	3.66	7.8	19,500	2.34
3757322	38QRR036---6	CAP**3617A**	58UVB060-14	33,800	12.5	14.5	33,000	3.68	7.8	19,200	2.36
3836387	38QRR036---6	CAP**3617A**	58MV(B,C)060-12	33,600	12.0	14.5	33,000	3.72	7.8	19,400	2.36
3836386	38QRR036---6	CAP**3617A**	58VMR105-12	33,600	12.0	14.5	33,000	3.64	7.7	19,100	2.34
1150728	38QRR036---6	CAP**3617A**+TDR		34,000	11.0	13.0	34,000	3.62	7.7	20,200	2.30
3836394	38QRR036---6	CAP**3619A**	58HDV060--12	33,600	11.5	14.0	33,000	3.68	7.7	19,700	2.34
3836393	38QRR036---6	CAP**3619A**+TDR		33,600	11.0	13.0	33,000	3.64	7.7	20,200	2.30
1150890	38QRR036---6	CAP**3621A**	58CV(A,X)090-16	33,800	12.5	15.0	33,000	3.72	7.9	19,200	2.38
1150742	38QRR036---6	CAP**3621A**	58CV(A,X)110-20	33,800	12.5	15.0	33,000	3.74	7.9	19,200	2.40
3116633	38QRR036---6	CAP**3621A**	58ME(B,C)100-20	33,800	12.0	14.5	33,000	3.78	7.8	19,200	2.42
1392257	38QRR036---6	CAP**3621A**	58MV(B,C)060-14	33,800	12.5	14.5	33,000	3.70	7.8	19,200	2.38
1393630	38QRR036---6	CAP**3621A**	58MV(B,C)080-14	33,800	12.5	14.5	33,000	3.64	7.7	19,300	2.34
1395215	38QRR036---6	CAP**3621A**	58MV(B,C)080-20	33,800	12.5	14.5	33,000	3.70	7.8	19,200	2.36
1396952	38QRR036---6	CAP**3621A**	58MV(B,C)100-20	33,800	12.5	14.5	33,000	3.70	7.8	19,200	2.38
3015708	38QRR036---6	CAP**3621A**	58PH*090-16	34,000	12.5	15.0	33,000	3.80	7.8	19,400	2.42
3015709	38QRR036---6	CAP**3621A**	58PH*110-20	34,000	12.5	15.0	33,000	3.84	8.0	19,400	2.44
3757323	38QRR036---6	CAP**3621A**	58UVB060-14	33,800	12.5	14.5	33,000	3.70	7.8	19,200	2.38
3757332	38QRR036---6	CAP**3621A**	58UVB080-14	33,800	12.5	14.5	33,000	3.64	7.7	19,300	2.34
3757350	38QRR036---6	CAP**3621A**	58UVB080-20	33,800	12.5	14.5	33,000	3.70	7.8	19,200	2.36
3757372	38QRR036---6	CAP**3621A**	58UVB100-20	33,800	12.5	14.5	33,000	3.70	7.8	19,200	2.38
3836389	38QRR036---6	CAP**3621A**	58VLR120-20	33,600	12.0	14.5	33,000	3.76	7.8	19,000	2.40
3836388	38QRR036---6	CAP**3621A**	58VMR120-20	33,600	12.0	14.5	33,000	3.72	7.8	19,100	2.38
1150734	38QRR036---6	CAP**3621A**+TDR		34,000	11.0	13.0	34,000	3.62	7.7	20,200	2.30
1150894	38QRR036---6	CAP**4221A**	58CV(A,X)090-16	34,200	12.5	15.0	33,200	3.78	7.9	19,200	2.40
1150752	38QRR036---6	CAP**4221A**	58CV(A,X)110-20	34,200	12.5	15.0	33,000	3.78	7.9	19,300	2.40
3116634	38QRR036---6	CAP**4221A**	58ME(B,C)100-20	34,200	12.0	14.5	33,200	3.84	7.8	19,200	2.44
1392259	38QRR036---6	CAP**4221A**	58MV(B,C)060-14	34,200	12.5	15.0	33,200	3.74	7.9	19,200	2.38
1393632	38QRR036---6	CAP**4221A**	58MV(B,C)080-14	34,000	12.5	14.5	33,000	3.70	7.8	19,300	2.36
1395217	38QRR036---6	CAP**4221A**	58MV(B,C)080-20	34,200	12.5	14.5	33,000	3.74	7.9	19,300	2.38
1396954	38QRR036---6	CAP**4221A**	58MV(B,C)100-20	34,200	12.5	15.0	33,000	3.76	7.9	19,300	2.38
3015710	38QRR036---6	CAP**4221A**	58PH*090-16	34,400	12.5	15.0	33,400	3.86	8.0	19,400	2.44
3015711	38QRR036---6	CAP**4221A**	58PH*110-20	34,400	12.5	15.0	33,400	3.88	8.0	19,400	2.46
3757324	38QRR036---6	CAP**4221A**	58UVB060-14	34,200	12.5	15.0	33,200	3.74	7.9	19,200	2.38
3757333	38QRR036---6	CAP**4221A**	58UVB080-14	34,000	12.5	14.5	33,000	3.70	7.8	19,300	2.36
3757351	38QRR036---6	CAP**4221A**	58UVB080-20	34,200	12.5	14.5	33,000	3.74	7.9	19,300	2.38
3757373	38QRR036---6	CAP**4221A**	58UVB100-20	34,200	12.5	15.0	33,000	3.76	7.9	19,300	2.38
3836391	38QRR036---6	CAP**4221A**	58VLR120-20	34,000	12.0	14.5	33,000	3.80	7.8	19,100	2.42
3836390	38QRR036---6	CAP**4221A**	58VMR120-20	34,000	12.0	14.5	33,200	3.74	7.8	19,100	2.40
1150744	38QRR036---6	CAP**4221A**+TDR		34,400	11.0	13.0	34,400	3.68	7.8	20,200	2.30
1150902	38QRR036---6	CAP**4224A**	58CV(A,X)110-20	34,200	12.5	15.0	33,200	3.80	8.0	19,200	2.42
1150760	38QRR036---6	CAP**4224A**	58CV(A,X)135-22	34,400	13.0	15.0	33,000	3.80	8.0	19,200	2.42
1150762	38QRR036---6	CAP**4224A**	58CV(A,X)155-22	34,400	13.0	15.0	33,000	3.84	8.0	19,100	2.44
3836392	38QRR036---6	CAP**4224A**	58HDV100--20	34,000	12.0	14.5	33,200	3.86	8.0	19,500	2.44
1393644	38QRR036---6	CAP**4224A**	58MV(B,C)080-14	34,000	12.5	14.5	33,200	3.70	7.8	19,300	2.36
1395231	38QRR036---6	CAP**4224A**	58MV(B,C)080-20	34,200	12.5	14.5	33,200	3.74	7.9	19,300	2.38
1396968	38QRR036---6	CAP**4224A**	58MV(B,C)100-20	34,200	12.5	15.0	33,200	3.76	7.9	19,300	2.40
1398581	38QRR036---6	CAP**4224A**	58MV(B,C)120-20	34,200	12.5	15.0	33,000	3.76	7.9	19,200	2.40
3757334	38QRR036---6	CAP**4224A**	58UVB080-14	34,000	12.5	14.5	33,200	3.70	7.8	19,300	2.36
3757352	38QRR036---6	CAP**4224A**	58UVB080-20	34,200	12.5	14.5	33,200	3.74	7.9	19,300	2.38
3757374	38QRR036---6	CAP**4224A**	58UVB100-20	34,200	12.5	15.0	33,200	3.76	7.9	19,300	2.40

See notes on page 40

# COMBINATION RATINGS CONTINUED

AHR Ref. No.	Model Number	Coil Model Number	Furnace Model Number	Cooling Capacity	EER	SEER	High Temp		HSPF	Low Temp	
							E Capacity	E COP		H Capacity	H COP
3757385	38QRR036---6	CAP**4224A**	58UVB120-20	34,200	12.5	15.0	33,000	3.76	7.9	19,200	2.40
1150754	38QRR036---6	CAP**4224A**+TDR		34,400	11.0	13.0	34,400	3.68	7.8	20,200	2.30
3836488	38QRR036---6	CAP**4823A**	58HDV080--20	34,400	12.0	14.5	34,000	3.94	8.2	19,900	2.44
3836487	38QRR036---6	CAP**4823A**+TDR		34,400	11.0	13.0	34,000	3.74	7.8	20,400	2.34
1150802	38QRR036---6	CNPH*3617A**	58CV(A,X)070-12	33,800	12.0	14.0	33,000	3.64	7.7	19,300	2.34
1150804	38QRR036---6	CNPH*3617A**	58CV(A,X)090-16	34,000	12.5	14.5	33,000	3.68	7.8	19,200	2.36
1150806	38QRR036---6	CNPH*3617A**	58CV(A,X)110-20	34,000	12.5	14.5	33,000	3.68	7.8	19,300	2.36
1150808	38QRR036---6	CNPH*3617A**	58CV(A,X)135-22	34,000	12.5	14.5	33,000	3.70	7.8	19,200	2.36
1150810	38QRR036---6	CNPH*3617A**	58CV(A,X)155-22	34,000	12.5	14.5	33,000	3.72	7.9	19,200	2.38
3836419	38QRR036---6	CNPH*3617A**	58HDV060--12	33,600	11.0	13.5	33,000	3.64	7.7	19,600	2.32
3836420	38QRR036---6	CNPH*3617A**	58HDV080--20	33,600	11.5	14.0	33,000	3.74	7.8	19,700	2.38
3836421	38QRR036---6	CNPH*3617A**	58HDV100--20	33,600	11.5	14.0	33,000	3.72	7.8	19,400	2.38
3618323	38QRR036---6	CNPH*3617A**	58ME(B,C)040-12	33,800	12.0	14.5	33,200	3.70	7.8	19,300	2.38
3116650	38QRR036---6	CNPH*3617A**	58ME(B,C)060-12	33,800	12.0	14.5	33,000	3.70	7.8	19,400	2.38
3116651	38QRR036---6	CNPH*3617A**	58ME(B,C)080-12	33,800	12.0	14.5	33,000	3.70	7.8	19,300	2.38
3116652	38QRR036---6	CNPH*3617A**	58ME(B,C)080-16	33,800	12.0	14.5	33,000	3.70	7.8	19,400	2.38
3116653	38QRR036---6	CNPH*3617A**	58ME(B,C)100-20	33,800	12.0	14.5	33,000	3.68	7.8	19,100	2.38
3116649	38QRR036---6	CNPH*3617A**	58MEB040-12	33,800	12.0	14.5	33,200	3.70	7.8	19,300	2.38
1392249	38QRR036---6	CNPH*3617A**	58MV(B,C)060-14	33,800	12.5	14.5	33,000	3.66	7.7	19,300	2.34
1395223	38QRR036---6	CNPH*3617A**	58MV(B,C)080-20	33,800	12.5	14.5	33,000	3.64	7.7	19,300	2.34
1396960	38QRR036---6	CNPH*3617A**	58MV(B,C)100-20	33,800	12.5	14.5	33,000	3.66	7.8	19,300	2.36
1398583	38QRR036---6	CNPH*3617A**	58MV(B,C)120-20	33,800	12.5	14.5	33,000	3.66	7.7	19,200	2.36
3015717	38QRR036---6	CNPH*3617A**	58PH*070-16	33,800	11.5	14.0	33,000	3.62	7.7	19,500	2.32
3015718	38QRR036---6	CNPH*3617A**	58PH*090-16	34,000	12.0	14.5	33,000	3.72	7.8	19,300	2.38
3015719	38QRR036---6	CNPH*3617A**	58PH*110-20	34,000	12.0	14.5	33,000	3.74	7.8	19,300	2.40
3836423	38QRR036---6	CNPH*3617A**	58VLR105-12	33,600	11.5	14.0	33,000	3.68	7.7	19,500	2.36
3836425	38QRR036---6	CNPH*3617A**	58VLR120-20	33,600	12.0	14.5	33,000	3.72	7.8	19,100	2.38
3836422	38QRR036---6	CNPH*3617A**	58VMR105-12	33,600	11.5	14.0	33,000	3.62	7.7	19,200	2.32
3836424	38QRR036---6	CNPH*3617A**	58VMR120-20	33,600	12.0	14.5	33,000	3.66	7.7	19,200	2.36
1150790	38QRR036---6	CNPH*3617A**+TDR		34,000	11.0	13.0	34,000	3.62	7.7	20,200	2.28
1150826	38QRR036---6	CNPH*4221A**	58CV(A,X)070-12	34,200	12.5	15.0	33,200	3.76	7.9	19,300	2.40
1150828	38QRR036---6	CNPH*4221A**	58CV(A,X)090-16	34,200	13.0	15.0	33,000	3.82	8.0	19,200	2.44
1150830	38QRR036---6	CNPH*4221A**	58CV(A,X)110-20	34,200	13.0	15.0	33,200	3.84	8.0	19,200	2.44
1150832	38QRR036---6	CNPH*4221A**	58CV(A,X)135-22	34,200	13.0	15.0	33,000	3.86	8.0	19,100	2.46
1150834	38QRR036---6	CNPH*4221A**	58CV(A,X)155-22	34,200	13.0	15.0	33,000	3.88	8.0	19,100	2.46
3836426	38QRR036---6	CNPH*4221A**	58HDV040--12	33,800	11.0	13.5	33,200	3.62	7.7	19,800	2.30
3836427	38QRR036---6	CNPH*4221A**	58HDV060--12	33,800	11.5	14.0	33,200	3.72	7.8	19,700	2.36
3836428	38QRR036---6	CNPH*4221A**	58HDV080--20	33,800	12.0	14.5	33,200	3.84	8.0	19,800	2.42
3836429	38QRR036---6	CNPH*4221A**	58HDV100--20	33,800	12.0	14.5	33,200	3.82	7.8	19,500	2.42
3618332	38QRR036---6	CNPH*4221A**	58ME(B,C)040-12	34,200	12.0	14.5	33,200	3.82	7.8	19,400	2.42
3116655	38QRR036---6	CNPH*4221A**	58ME(B,C)060-12	34,200	12.0	14.5	33,200	3.82	7.8	19,500	2.42
3116656	38QRR036---6	CNPH*4221A**	58ME(B,C)080-12	34,200	12.0	14.5	33,200	3.80	7.8	19,400	2.42
3116657	38QRR036---6	CNPH*4221A**	58ME(B,C)080-16	34,200	12.0	14.5	33,200	3.80	7.8	19,500	2.42
3116658	38QRR036---6	CNPH*4221A**	58ME(B,C)100-20	34,200	12.0	14.5	33,200	3.80	7.8	19,200	2.42
3116654	38QRR036---6	CNPH*4221A**	58MEB040-12	34,200	12.0	14.5	33,200	3.82	7.8	19,400	2.42
1392251	38QRR036---6	CNPH*4221A**	58MV(B,C)060-14	34,200	13.0	15.0	33,200	3.80	8.0	19,200	2.42
1393638	38QRR036---6	CNPH*4221A**	58MV(B,C)080-14	34,200	12.5	15.0	33,200	3.76	7.9	19,300	2.40
1395225	38QRR036---6	CNPH*4221A**	58MV(B,C)080-20	34,200	12.5	15.0	33,200	3.78	7.9	19,300	2.40
1396962	38QRR036---6	CNPH*4221A**	58MV(B,C)100-20	34,200	13.0	15.0	33,200	3.80	8.0	19,200	2.42
1398585	38QRR036---6	CNPH*4221A**	58MV(B,C)120-20	34,200	13.0	15.0	33,000	3.82	8.0	19,100	2.42
3015720	38QRR036---6	CNPH*4221A**	58PH*045-08	34,200	11.5	14.0	33,400	3.66	7.8	19,800	2.32
3015721	38QRR036---6	CNPH*4221A**	58PH*070-16	34,200	11.5	14.0	33,400	3.72	7.8	19,600	2.36
3015722	38QRR036---6	CNPH*4221A**	58PH*090-16	34,400	12.5	15.0	33,400	3.82	7.8	19,400	2.42
3015723	38QRR036---6	CNPH*4221A**	58PH*110-20	34,400	12.5	15.0	33,400	3.86	8.0	19,400	2.44
3836431	38QRR036---6	CNPH*4221A**	58VLR105-12	33,800	12.0	14.5	33,200	3.76	7.8	19,500	2.38
3836433	38QRR036---6	CNPH*4221A**	58VLR120-20	33,800	12.0	14.5	33,200	3.80	7.8	19,100	2.42
3836430	38QRR036---6	CNPH*4221A**	58VMR105-12	33,800	12.0	14.5	33,200	3.70	7.7	19,200	2.36
3836432	38QRR036---6	CNPH*4221A**	58VMR120-20	33,800	12.0	14.5	33,200	3.74	7.8	19,200	2.38
1150812	38QRR036---6	CNPH*4221A**+TDR		34,400	11.0	13.0	34,400	3.68	7.8	20,200	2.32
3836441	38QRR036---6	CNPH*4321A**	58CV(A,X)070-12	34,200	12.0	14.5	33,600	3.88	8.0	19,400	2.42
3836442	38QRR036---6	CNPH*4321A**	58CV(A,X)090-16	34,200	12.0	14.5	33,600	3.94	8.2	19,300	2.46
3836443	38QRR036---6	CNPH*4321A**	58CV(A,X)110-20	34,200	12.0	14.5	33,600	3.96	8.2	19,400	2.46
3836444	38QRR036---6	CNPH*4321A**	58CV(A,X)135-22	34,200	12.0	14.5	33,600	3.98	8.2	19,300	2.48
3836445	38QRR036---6	CNPH*4321A**	58CV(A,X)155-22	34,200	12.0	14.5	33,400	4.02	8.2	19,200	2.50
3836455	38QRR036---6	CNPH*4321A**	58HDV040--12	34,200	11.5	14.0	33,600	3.80	7.8	20,000	2.36
3836456	38QRR036---6	CNPH*4321A**	58HDV060--12	34,200	12.0	14.5	33,600	3.90	8.2	20,000	2.42
3836457	38QRR036---6	CNPH*4321A**	58HDV080--20	34,200	12.0	14.5	33,600	4.04	8.2	20,000	2.48
3836458	38QRR036---6	CNPH*4321A**	58HDV100--20	34,200	12.0	14.5	33,600	4.04	8.2	19,700	2.48
3836451	38QRR036---6	CNPH*4321A**	58ME(B,C)060-12	34,200	12.0	14.5	33,600	4.02	8.2	19,700	2.48
3836452	38QRR036---6	CNPH*4321A**	58ME(B,C)080-12	34,200	12.0	14.5	33,600	4.00	8.2	19,500	2.48
3836453	38QRR036---6	CNPH*4321A**	58ME(B,C)080-16	34,200	12.0	14.5	33,600	4.00	8.2	19,600	2.48
3836454	38QRR036---6	CNPH*4321A**	58ME(B,C)100-20	34,200	12.0	14.5	33,600	4.02	8.2	19,400	2.50
3836450	38QRR036---6	CNPH*4321A**	58MEB040-12	34,200	12.0	14.5	33,600	4.02	8.2	19,500	2.48
3836436	38QRR036---6	CNPH*4321A**	58MV(B,C)060-14	34,200	12.0	14.5	33,600	3.98	8.2	19,500	2.46
3836437	38QRR036---6	CNPH*4321A**	58MV(B,C)080-14	34,200	12.0	14.5	33,600	3.92	8.2	19,500	2.44
3836438	38QRR036---6	CNPH*4321A**	58MV(B,C)080-20	34,200	12.0	14.5	33,600	3.92	8.2	19,400	2.44
3836439	38QRR036---6	CNPH*4321A**	58MV(B,C)100-20	34,200	12.0	14.5	33,600	3.96	8.2	19,500	2.46
3836440	38QRR036---6	CNPH*4321A**	58MV(B,C)120-20	34,200	12.0	14.5	33,600	3.96	8.2	19,300	2.46
3836435	38QRR036---6	CNPH*4321A**	58MVB040-14	34,200	12.0	14.5	33,600	3.88	8.0	19,400	2.42

See notes on page 40

38QRR

# COMBINATION RATINGS CONTINUED

AHR Ref. No.	Model Number	Coil Model Number	Furnace Model Number	Cooling Capacity	EER	SEER	High Temp		HSPF	Low Temp	
							E Capacity	E COP		H Capacity	H COP
3836446	38QRR036---6	CNPH*4321A**	58PH*045-08	34,200	12.0	14.5	33,600	3.84	7.8	20,000	2.38
3836447	38QRR036---6	CNPH*4321A**	58PH*070-16	34,200	12.0	14.5	33,600	3.90	8.0	19,700	2.42
3836448	38QRR036---6	CNPH*4321A**	58PH*090-16	34,200	12.0	14.5	33,600	4.04	8.2	19,500	2.50
3836449	38QRR036---6	CNPH*4321A**	58PH*110-20	34,200	12.0	14.5	33,600	4.08	8.2	19,600	2.52
3836460	38QRR036---6	CNPH*4321A**	58VLR105-12	34,200	12.0	14.5	33,600	3.94	8.2	19,600	2.44
3836462	38QRR036---6	CNPH*4321A**	58VLR120-20	34,200	12.0	14.5	33,600	3.96	8.2	19,300	2.48
3836459	38QRR036---6	CNPH*4321A**	58VMR105-12	34,200	12.0	14.5	33,600	3.88	8.0	19,300	2.42
3836461	38QRR036---6	CNPH*4321A**	58VMR120-20	34,200	12.0	14.5	33,600	3.92	8.2	19,300	2.44
3836434	38QRR036---6	CNPH*4321A**+TDR		34,200	11.0	13.0	33,600	3.82	7.8	20,400	2.36
1150904	38QRR036---6	CNPV*3617A**	58CV(A,X)070-12	33,800	12.0	14.0	33,200	3.64	7.7	19,300	2.34
1150768	38QRR036---6	CNPV*3617A**	58CV(A,X)090-16	33,800	12.5	14.5	33,000	3.68	7.8	19,200	2.36
3618321	38QRR036---6	CNPV*3617A**	58ME(B,C)040-12	33,800	12.0	14.5	33,000	3.70	7.8	19,300	2.38
3116636	38QRR036---6	CNPV*3617A**	58ME(B,C)060-12	33,800	12.0	14.5	33,000	3.70	7.8	19,400	2.38
3116637	38QRR036---6	CNPV*3617A**	58ME(B,C)080-12	33,800	12.0	14.5	33,000	3.70	7.8	19,300	2.38
3116638	38QRR036---6	CNPV*3617A**	58ME(B,C)080-16	33,800	12.0	14.5	33,000	3.70	7.8	19,400	2.38
3116635	38QRR036---6	CNPV*3617A**	58MEB040-12	33,800	12.0	14.5	33,000	3.70	7.8	19,300	2.38
1392247	38QRR036---6	CNPV*3617A**	58MV(B,C)060-14	33,800	12.5	14.5	33,000	3.66	7.7	19,300	2.34
3015712	38QRR036---6	CNPV*3617A**	58PH*070-16	33,800	11.5	14.0	33,000	3.62	7.7	19,500	2.32
3758661	38QRR036---6	CNPV*3617A**	58UVB060-14	33,800	12.5	14.5	33,000	3.66	7.7	19,300	2.34
3836396	38QRR036---6	CNPV*3617A**	58VLR105-12	33,600	11.5	14.0	33,000	3.68	7.7	19,500	2.36
3836395	38QRR036---6	CNPV*3617A**	58VMR105-12	33,600	11.5	14.0	33,000	3.62	7.7	19,200	2.32
1150764	38QRR036---6	CNPV*3617A**+TDR		34,000	11.0	13.0	34,000	3.62	7.7	20,200	2.28
1150908	38QRR036---6	CNPV*3621A**	58CV(A,X)090-16	33,800	12.5	14.5	33,000	3.68	7.8	19,200	2.36
1150778	38QRR036---6	CNPV*3621A**	58CV(A,X)110-20	33,800	12.5	14.5	33,000	3.70	7.8	19,300	2.36
3116639	38QRR036---6	CNPV*3621A**	58ME(B,C)100-20	33,800	12.0	14.5	33,000	3.70	7.8	19,100	2.38
1392261	38QRR036---6	CNPV*3621A**	58MV(B,C)060-14	33,800	12.5	14.5	33,000	3.66	7.7	19,200	2.34
1393634	38QRR036---6	CNPV*3621A**	58MV(B,C)080-14	33,600	12.0	14.0	33,000	3.60	7.7	19,400	2.32
1395219	38QRR036---6	CNPV*3621A**	58MV(B,C)080-20	33,800	12.5	14.5	33,000	3.66	7.7	19,300	2.34
1396956	38QRR036---6	CNPV*3621A**	58MV(B,C)100-20	33,800	12.5	14.5	33,000	3.66	7.8	19,300	2.36
3015713	38QRR036---6	CNPV*3621A**	58PH*090-16	34,000	12.0	14.5	33,000	3.72	7.8	19,300	2.38
3015714	38QRR036---6	CNPV*3621A**	58PH*110-20	34,000	12.0	14.5	33,000	3.76	7.8	19,300	2.40
3758662	38QRR036---6	CNPV*3621A**	58UVB060-14	33,800	12.5	14.5	33,000	3.66	7.7	19,200	2.34
3758669	38QRR036---6	CNPV*3621A**	58UVB080-14	33,600	12.0	14.0	33,000	3.60	7.7	19,400	2.32
3758682	38QRR036---6	CNPV*3621A**	58UVB080-20	33,800	12.5	14.5	33,000	3.66	7.7	19,300	2.34
3758698	38QRR036---6	CNPV*3621A**	58UVB100-20	33,800	12.5	14.5	33,000	3.66	7.8	19,300	2.36
3836398	38QRR036---6	CNPV*3621A**	58VLR120-20	33,600	12.0	14.5	33,000	3.72	7.8	19,100	2.38
3836397	38QRR036---6	CNPV*3621A**	58VMR120-20	33,600	12.0	14.5	33,000	3.68	7.7	19,200	2.36
1150770	38QRR036---6	CNPV*3621A**+TDR		34,000	11.0	13.0	34,000	3.62	7.7	20,200	2.28
3836401	38QRR036---6	CNPV*3717A**	58CV(A,X)090-16	34,200	12.0	14.5	33,600	3.94	8.0	19,300	2.46
3836404	38QRR036---6	CNPV*3717A**	58ME(B,C)060-12	34,200	12.0	14.5	33,600	4.00	8.2	19,600	2.46
3836405	38QRR036---6	CNPV*3717A**	58ME(B,C)080-12	34,200	12.0	14.5	33,600	3.98	8.2	19,500	2.46
3836406	38QRR036---6	CNPV*3717A**	58ME(B,C)080-16	34,200	12.0	14.5	33,600	3.98	8.2	19,600	2.46
3836403	38QRR036---6	CNPV*3717A**	58MEB040-12	34,200	12.0	14.5	33,600	3.98	8.2	19,500	2.48
3836400	38QRR036---6	CNPV*3717A**	58MV(B,C)060-14	34,200	12.0	14.5	33,600	3.96	8.0	19,500	2.46
3836402	38QRR036---6	CNPV*3717A**	58PH*070-16	34,200	12.0	14.5	33,600	3.88	8.0	19,700	2.42
4706943	38QRR036---6	CNPV*3717A**	58UVB060-14	35,200	12.7	15.2	33,600	3.94	8.0	19,500	2.44
3836490	38QRR036---6	CNPV*3717A**	58UVB080-12	34,200	12.0	14.5	33,600	3.98	8.2	19,500	2.46
3836491	38QRR036---6	CNPV*3717A**	58UVB080-16	34,200	12.0	14.5	33,600	3.98	8.2	19,600	2.46
3836408	38QRR036---6	CNPV*3717A**	58VLR105-12	34,200	12.0	14.5	33,600	3.92	8.0	19,600	2.44
3836407	38QRR036---6	CNPV*3717A**	58VMR105-12	34,200	12.0	14.5	33,600	3.86	7.8	19,300	2.40
3836399	38QRR036---6	CNPV*3717A**+TDR		34,200	11.0	13.0	33,600	3.82	7.8	20,400	2.36
3116642	38QRR036---6	CNPV*4217A**	58CV(A,X)090-16	34,200	12.0	14.5	33,200	3.82	7.8	19,300	2.42
3838322	38QRR036---6	CNPV*4217A**	58ME(B,C)040-12	34,200	12.0	14.5	33,200	3.88	7.8	19,500	2.44
3116645	38QRR036---6	CNPV*4217A**	58ME(B,C)060-12	34,200	12.0	14.5	33,200	3.88	7.8	19,600	2.44
3116646	38QRR036---6	CNPV*4217A**	58ME(B,C)080-12	34,200	12.0	14.5	33,200	3.86	7.8	19,500	2.42
3116647	38QRR036---6	CNPV*4217A**	58ME(B,C)080-16	34,200	12.0	14.5	33,200	3.88	7.8	19,600	2.44
3116644	38QRR036---6	CNPV*4217A**	58MEB040-12	34,200	12.0	14.5	33,200	3.88	7.8	19,500	2.44
3116641	38QRR036---6	CNPV*4217A**	58MV(B,C)060-14	34,200	12.0	14.5	33,200	3.84	7.8	19,500	2.42
3116643	38QRR036---6	CNPV*4217A**	58PH*070-16	34,200	12.0	14.5	33,200	3.78	7.8	19,600	2.38
3758813	38QRR036---6	CNPV*4217A**	58UVB060-14	34,200	12.0	14.5	33,200	3.84	7.8	19,500	2.42
3836410	38QRR036---6	CNPV*4217A**	58VLR105-12	34,000	12.0	14.5	33,200	3.80	7.8	19,500	2.40
3836409	38QRR036---6	CNPV*4217A**	58VMR105-12	34,000	12.0	14.5	33,200	3.74	7.8	19,300	2.38
3116640	38QRR036---6	CNPV*4217A**+TDR		34,400	11.0	13.0	34,400	3.74	7.8	20,400	2.34
1150912	38QRR036---6	CNPV*4221A**	58CV(A,X)090-16	34,200	13.0	15.0	33,000	3.82	8.0	19,200	2.44
1150788	38QRR036---6	CNPV*4221A**	58CV(A,X)110-20	34,200	13.0	15.0	33,200	3.84	8.0	19,200	2.44
3116648	38QRR036---6	CNPV*4221A**	58ME(B,C)100-20	34,200	12.0	14.5	33,200	3.80	7.8	19,200	2.42
1392263	38QRR036---6	CNPV*4221A**	58MV(B,C)060-14	34,200	13.0	15.0	33,200	3.80	8.0	19,200	2.42
1393636	38QRR036---6	CNPV*4221A**	58MV(B,C)080-14	34,200	12.5	15.0	33,200	3.76	7.9	19,300	2.40
1395221	38QRR036---6	CNPV*4221A**	58MV(B,C)080-20	34,200	12.5	15.0	33,200	3.78	7.9	19,300	2.40
1396958	38QRR036---6	CNPV*4221A**	58MV(B,C)100-20	34,200	13.0	15.0	33,200	3.80	8.0	19,200	2.42
3015715	38QRR036---6	CNPV*4221A**	58PH*090-16	34,400	12.0	15.0	33,400	3.82	7.8	19,400	2.42
3015716	38QRR036---6	CNPV*4221A**	58PH*110-20	34,400	12.0	15.0	33,400	3.86	8.0	19,400	2.44
3758663	38QRR036---6	CNPV*4221A**	58UVB060-14	34,200	13.0	15.0	33,200	3.80	8.0	19,200	2.42
3758670	38QRR036---6	CNPV*4221A**	58UVB080-14	34,200	12.5	15.0	33,200	3.76	7.9	19,300	2.40
3758683	38QRR036---6	CNPV*4221A**	58UVB080-20	34,200	12.5	15.0	33,200	3.78	7.9	19,300	2.40
3758699	38QRR036---6	CNPV*4221A**	58UVB100-20	34,200	13.0	15.0	33,200	3.80	8.0	19,200	2.42
3836412	38QRR036---6	CNPV*4221A**	58VLR120-20	34,000	12.0	14.5	33,200	3.80	7.8	19,100	2.42
3836411	38QRR036---6	CNPV*4221A**	58VMR120-20	34,000	12.0	14.5	33,200	3.74	7.8	19,200	2.38
1150780	38QRR036---6	CNPV*4221A**+TDR		34,200	11.0	13.0	34,400	3.68	7.8	20,200	2.32

See notes on page 40

# COMBINATION RATINGS CONTINUED

AHR Ref. No.	Model Number	Coil Model Number	Furnace Model Number	Cooling Capacity	EER	SEER	High Temp		HSPF	Low Temp	
							E Capacity	E COP		H Capacity	H COP
3836416	38QRR036---6	CNPV*4324A**	58CV(A,X)135-22	34,400	12.0	14.5	33,400	4.00	8.2	19,200	2.48
3836417	38QRR036---6	CNPV*4324A**	58CV(A,X)155-22	34,400	12.0	14.5	33,400	4.02	8.2	19,200	2.50
3836418	38QRR036---6	CNPV*4324A**	58HDV100--20 (DWNFLW ONLY)	34,400	12.0	14.5	33,800	4.06	8.2	19,800	2.50
3836415	38QRR036---6	CNPV*4324A**	58MV(B,C)120-20	34,400	12.0	14.5	33,600	3.98	8.2	19,300	2.48
3836414	38QRR036---6	CNPV*4324A**	58MVB040-14	34,400	12.0	14.5	33,600	3.90	8.0	19,400	2.42
3836413	38QRR036---6	CNPV*4324A**+TDR		34,400	11.0	13.0	34,000	3.82	7.8	20,400	2.36
1150852	38QRR036---6	CSPH*3612A**	58CV(A,X)070-12	33,800	12.5	14.5	33,000	3.78	7.9	19,500	2.38
1150854	38QRR036---6	CSPH*3612A**	58CV(A,X)090-16	33,800	13.0	15.0	33,000	3.84	8.0	19,400	2.42
1150856	38QRR036---6	CSPH*3612A**	58CV(A,X)110-20	33,800	13.0	15.0	33,000	3.86	8.0	19,400	2.42
1150858	38QRR036---6	CSPH*3612A**	58CV(A,X)135-22	33,800	13.0	15.0	33,000	3.86	8.0	19,300	2.44
1150860	38QRR036---6	CSPH*3612A**	58CV(A,X)155-22	33,800	13.0	15.0	33,000	3.88	8.0	19,300	2.46
3836463	38QRR036---6	CSPH*3612A**	58HDV040--12	33,600	11.5	14.0	33,000	3.68	7.7	19,800	2.32
3836464	38QRR036---6	CSPH*3612A**	58HDV060--12	33,600	11.5	14.0	33,000	3.78	7.8	19,800	2.38
3836465	38QRR036---6	CSPH*3612A**	58HDV080--20	33,600	12.0	14.5	33,000	3.90	8.0	19,900	2.44
3836466	38QRR036---6	CSPH*3612A**	58HDV100--20	33,600	12.0	14.5	33,000	3.88	8.0	19,600	2.44
3618333	38QRR036---6	CSPH*3612A**	58ME(B,C)040-12	33,800	12.0	14.5	33,000	3.90	7.8	19,500	2.44
3116660	38QRR036---6	CSPH*3612A**	58ME(B,C)060-12	33,800	12.0	14.5	33,000	3.90	7.8	19,600	2.44
3116661	38QRR036---6	CSPH*3612A**	58ME(B,C)080-12	33,800	12.0	14.5	33,000	3.88	7.8	19,500	2.44
3116662	38QRR036---6	CSPH*3612A**	58ME(B,C)080-16	33,800	12.0	14.5	33,000	3.90	7.8	19,600	2.44
3116663	38QRR036---6	CSPH*3612A**	58ME(B,C)100-20	33,800	12.0	14.5	33,000	3.88	7.8	19,300	2.44
3116659	38QRR036---6	CSPH*3612A**	58MEB040-12	33,800	12.0	14.5	33,000	3.90	7.8	19,500	2.44
1392253	38QRR036---6	CSPH*3612A**	58MV(B,C)060-14	33,800	12.5	15.0	33,000	3.80	8.0	19,400	2.40
1393640	38QRR036---6	CSPH*3612A**	58MV(B,C)080-14	33,800	12.5	14.5	33,000	3.74	7.9	19,500	2.36
1395227	38QRR036---6	CSPH*3612A**	58MV(B,C)080-20	33,800	12.5	15.0	33,000	3.80	8.0	19,400	2.40
1396964	38QRR036---6	CSPH*3612A**	58MV(B,C)100-20	33,800	12.5	15.0	33,000	3.82	8.0	19,400	2.40
1398587	38QRR036---6	CSPH*3612A**	58MV(B,C)120-20	33,800	13.0	15.0	33,000	3.82	8.0	19,300	2.40
3015724	38QRR036---6	CSPH*3612A**	58PH*045-08	34,000	11.5	14.0	33,000	3.74	7.8	19,900	2.34
3015725	38QRR036---6	CSPH*3612A**	58PH*070-16	34,000	12.0	14.5	33,000	3.78	7.8	19,700	2.38
3015726	38QRR036---6	CSPH*3612A**	58PH*090-16	34,000	12.5	15.0	33,000	3.90	8.0	19,500	2.46
3015727	38QRR036---6	CSPH*3612A**	58PH*110-20	34,000	12.5	15.0	33,000	3.94	8.0	19,500	2.46
3836468	38QRR036---6	CSPH*3612A**	58VLR105-12	33,600	12.0	14.5	33,000	3.82	7.8	19,600	2.40
3836470	38QRR036---6	CSPH*3612A**	58VLR120-20	33,600	12.0	14.5	33,000	3.86	8.0	19,200	2.44
3836467	38QRR036---6	CSPH*3612A**	58VMR105-12	33,600	12.0	14.5	33,000	3.74	7.8	19,300	2.38
3836469	38QRR036---6	CSPH*3612A**	58VMR120-20	33,600	12.0	14.5	33,000	3.80	7.8	19,300	2.40
1150838	38QRR036---6	CSPH*3612A**+TDR		33,800	11.0	13.0	34,000	3.76	7.9	20,400	2.34
1150876	38QRR036---6	CSPH*4212A**	58CV(A,X)070-12	34,200	12.5	15.0	33,200	3.82	8.0	19,500	2.40
1150878	38QRR036---6	CSPH*4212A**	58CV(A,X)090-16	34,200	13.0	15.0	33,200	3.88	8.0	19,400	2.44
1150880	38QRR036---6	CSPH*4212A**	58CV(A,X)110-20	34,200	13.0	15.0	33,200	3.90	8.0	19,400	2.44
1150882	38QRR036---6	CSPH*4212A**	58CV(A,X)135-22	34,200	13.0	15.0	33,200	3.90	8.0	19,400	2.44
1150884	38QRR036---6	CSPH*4212A**	58CV(A,X)155-22	34,200	13.0	15.0	33,200	3.94	8.0	19,300	2.48
3836471	38QRR036---6	CSPH*4212A**	58HDV040--12	34,000	11.5	14.0	33,400	3.72	7.8	19,900	2.34
3836472	38QRR036---6	CSPH*4212A**	58HDV060--12	34,000	12.0	14.5	33,400	3.82	7.8	19,900	2.38
3836473	38QRR036---6	CSPH*4212A**	58HDV080--20	34,000	12.0	14.5	33,400	3.96	8.2	19,900	2.46
3836474	38QRR036---6	CSPH*4212A**	58HDV100--20	34,000	12.0	14.5	33,400	3.94	8.2	19,700	2.46
3618334	38QRR036---6	CSPH*4212A**	58ME(B,C)040-12	34,200	12.0	14.5	33,200	3.96	7.8	19,600	2.46
3116665	38QRR036---6	CSPH*4212A**	58ME(B,C)060-12	34,200	12.0	14.5	33,200	3.96	7.8	19,600	2.46
3116666	38QRR036---6	CSPH*4212A**	58ME(B,C)080-12	34,200	12.0	14.5	33,200	3.94	7.8	19,500	2.46
3116667	38QRR036---6	CSPH*4212A**	58ME(B,C)080-16	34,200	12.0	14.5	33,200	3.96	7.8	19,600	2.46
3116668	38QRR036---6	CSPH*4212A**	58ME(B,C)100-20	34,200	12.0	14.5	33,200	3.94	7.8	19,400	2.48
3116664	38QRR036---6	CSPH*4212A**	58MEB040-12	34,200	12.0	14.5	33,200	3.96	7.8	19,600	2.46
1392255	38QRR036---6	CSPH*4212A**	58MV(B,C)060-14	34,200	13.0	15.0	33,200	3.86	8.0	19,400	2.42
1393642	38QRR036---6	CSPH*4212A**	58MV(B,C)080-14	34,200	12.5	14.5	33,200	3.80	8.0	19,500	2.38
1395229	38QRR036---6	CSPH*4212A**	58MV(B,C)080-20	34,200	13.0	15.0	33,200	3.84	8.0	19,400	2.42
1396966	38QRR036---6	CSPH*4212A**	58MV(B,C)100-20	34,200	13.0	15.0	33,200	3.86	8.0	19,400	2.42
1398589	38QRR036---6	CSPH*4212A**	58MV(B,C)120-20	34,200	13.0	15.0	33,200	3.86	8.0	19,400	2.42
3015728	38QRR036---6	CSPH*4212A**	58PH*045-08	34,400	11.5	14.0	33,400	3.78	7.8	19,900	2.36
3015729	38QRR036---6	CSPH*4212A**	58PH*070-16	34,400	12.0	14.5	33,400	3.84	8.0	19,700	2.40
3015730	38QRR036---6	CSPH*4212A**	58PH*090-16	34,400	12.5	15.0	33,400	3.96	8.0	19,500	2.48
3015731	38QRR036---6	CSPH*4212A**	58PH*110-20	34,400	12.5	15.0	33,400	4.00	8.0	19,500	2.50
3836476	38QRR036---6	CSPH*4212A**	58VLR105-12	34,000	12.0	14.5	33,400	3.86	8.0	19,600	2.42
3836478	38QRR036---6	CSPH*4212A**	58VLR120-20	34,000	12.0	14.5	33,400	3.88	8.0	19,200	2.44
3836475	38QRR036---6	CSPH*4212A**	58VMR105-12	34,000	12.0	14.5	33,400	3.78	7.8	19,300	2.40
3836477	38QRR036---6	CSPH*4212A**	58VMR120-20	34,000	12.0	14.5	33,400	3.84	7.8	19,300	2.42
3836479	38QRR036---6	FB4CNF036+TXV		33,800	11.0	13.5	33,800	3.72	7.8	19,700	2.34
3836480	38QRR036---6	FB4CNF042+TXV		34,600	12.0	14.5	33,800	3.94	8.2	19,700	2.46
3836481	38QRR036---6	FB4CNF048+TXV		34,600	12.0	14.5	33,800	3.92	8.2	19,800	2.44
1150922	38QRR036---6	FE4AN(B,F)003+UI		34,200	13.0	15.0	33,000	3.78	8.0	19,200	2.42
1150924	38QRR036---6	FE4AN(B,F)005+UI		35,400	13.0	15.0	33,600	4.00	8.0	19,400	2.50
1150926	38QRR036---6	FE4ANB006+UI		35,800	13.5	15.5	33,600	4.12	8.5	19,400	2.56
1150920	38QRR036---6	FE4ANF002+UI		34,000	12.5	14.5	33,400	3.72	7.9	19,400	2.36
3405889	38QRR036---6	FV4CN(B,F)003		34,200	13.0	15.0	33,000	3.78	8.0	19,200	2.42
3405890	38QRR036---6	FV4CN(B,F)005		35,400	13.0	15.0	33,600	4.00	8.0	19,400	2.50
3405891	38QRR036---6	FV4CNB006		35,800	13.5	15.5	33,600	4.12	8.5	19,400	2.56
3405888	38QRR036---6	FV4CNF002		34,000	12.5	14.5	33,400	3.72	7.9	19,400	2.36
3836484	38QRR036---6	FX4DN(B,F)037		34,800	12.0	14.5	33,800	3.96	8.2	19,600	2.48
3836485	38QRR036---6	FX4DN(B,F)043		34,800	12.0	14.5	33,800	3.96	8.2	19,600	2.48
3836486	38QRR036---6	FX4DN(B,F)049		35,000	12.0	14.5	33,800	4.08	8.2	19,700	2.52
3836483	38QRR036---6	FY5BNF042+TXV		34,600	11.5	14.0	34,000	3.80	7.8	20,000	2.38

See notes on page 40

# COMBINATION RATINGS CONTINUED

AHRI Ref. No.	Model Number	Coil Model Number	Furnace Model Number	Cooling Capacity	EER	SEER	High Temp		HSPF	Low Temp	
							E Capacity	E COP		H Capacity	H COP
3835438	38QRR048---3	†FY5BNF048+TXV		48,000	11.0	13.0	47,000	3.78	7.8	28,200	2.46
1147116	38QRR048---3	CAP**4817A**	58CV(A,X)090-16	47,000	11.5	14.0	46,500	3.68	8.0	27,800	2.42
3112749	38QRR048---3	CAP**4817A**	58ME(B,C)080-16	47,000	11.0	13.5	46,000	3.68	8.0	28,000	2.42
3015593	38QRR048---3	CAP**4817A**	58PH*070-16	47,000	11.5	13.5	46,000	3.52	7.7	27,600	2.34
1147114	38QRR048---3	CAP**4817A**+TDR		47,000	11.5	13.5	47,000	3.64	7.9	28,000	2.38
1147240	38QRR048---3	CAP**4821A**	58CV(A,X)090-16	47,000	11.5	14.0	46,500	3.64	7.9	27,600	2.40
1147124	38QRR048---3	CAP**4821A**	58CV(A,X)110-20	47,000	12.0	14.0	46,500	3.66	7.9	27,600	2.42
3112750	38QRR048---3	CAP**4821A**	58ME(B,C)100-20	47,000	11.5	14.0	46,000	3.70	8.0	27,600	2.44
1395155	38QRR048---3	CAP**4821A**	58MV(B,C)080-20	47,000	11.5	14.0	46,500	3.60	7.8	27,600	2.38
1396897	38QRR048---3	CAP**4821A**	58MV(B,C)100-20	47,000	11.5	14.0	46,500	3.62	7.9	27,600	2.40
3015594	38QRR048---3	CAP**4821A**	58PH*090-16	47,000	11.5	14.0	46,000	3.68	7.8	27,600	2.42
3015595	38QRR048---3	CAP**4821A**	58PH*110-20	47,000	11.5	14.0	46,000	3.70	7.8	27,400	2.44
3757339	38QRR048---3	CAP**4821A**	58UVB080-20	47,000	11.5	14.0	46,500	3.60	7.8	27,600	2.38
3757361	38QRR048---3	CAP**4821A**	58UVB100-20	47,000	11.5	14.0	46,500	3.62	7.9	27,600	2.40
3835376	38QRR048---3	CAP**4821A**	58VLR120-20	47,000	11.5	14.0	46,000	3.68	7.8	27,200	2.42
3835375	38QRR048---3	CAP**4821A**	58VMR120-20	47,000	11.5	14.0	46,000	3.66	7.8	27,400	2.40
1147118	38QRR048---3	CAP**4821A**+TDR		47,500	11.5	13.5	47,000	3.68	8.0	28,400	2.40
3835382	38QRR048---3	CAP**4823A**	58HDV080--20	47,000	11.0	13.5	47,000	3.68	7.8	28,000	2.40
3835381	38QRR048---3	CAP**4823A**+TDR		47,000	11.0	13.0	47,000	3.70	7.8	28,400	2.40
1147246	38QRR048---3	CAP**4824A**	58CV(A,X)110-20	47,000	12.0	14.0	46,500	3.66	8.0	27,400	2.42
1147130	38QRR048---3	CAP**4824A**	58CV(A,X)135-22	47,000	12.0	14.5	46,000	3.70	8.0	27,400	2.44
1147132	38QRR048---3	CAP**4824A**	58CV(A,X)155-22	47,000	12.0	14.5	46,000	3.72	8.0	27,400	2.46
3835377	38QRR048---3	CAP**4824A**	58HDV100--20	47,000	11.5	14.0	46,000	3.70	7.8	27,600	2.42
3112751	38QRR048---3	CAP**4824A**	58ME(B,C)120-20	47,000	11.5	14.0	46,000	3.74	8.0	27,600	2.46
1395169	38QRR048---3	CAP**4824A**	58MV(B,C)080-20	47,000	11.5	14.0	46,500	3.60	7.9	27,600	2.40
1396911	38QRR048---3	CAP**4824A**	58MV(B,C)100-20	47,000	11.5	14.0	46,500	3.62	7.9	27,600	2.40
1398539	38QRR048---3	CAP**4824A**	58MV(B,C)120-20	47,000	11.5	14.0	46,500	3.62	7.9	27,400	2.40
3015596	38QRR048---3	CAP**4824A**	58PH*135-20	47,000	11.5	14.0	46,000	3.70	7.8	27,600	2.44
3757341	38QRR048---3	CAP**4824A**	58UVB080-20	47,000	11.5	14.0	46,500	3.60	7.9	27,600	2.40
3757363	38QRR048---3	CAP**4824A**	58UVB100-20	47,000	11.5	14.0	46,500	3.62	7.9	27,600	2.40
3757380	38QRR048---3	CAP**4824A**	58UVB120-20	47,000	11.5	14.0	46,500	3.62	7.9	27,400	2.40
1147126	38QRR048---3	CAP**4824A**+TDR		47,500	11.5	13.5	47,000	3.68	8.0	28,400	2.40
1147248	38QRR048---3	CAP**6021A**	58CV(A,X)090-16	48,000	12.0	14.5	46,500	3.72	8.0	27,600	2.46
1147140	38QRR048---3	CAP**6021A**	58CV(A,X)110-20	48,000	12.0	14.5	46,500	3.76	8.0	27,600	2.48
3112752	38QRR048---3	CAP**6021A**	58ME(B,C)100-20	48,000	12.0	14.5	46,500	3.82	8.0	27,800	2.50
1395157	38QRR048---3	CAP**6021A**	58MV(B,C)080-20	48,000	12.0	14.5	46,500	3.70	8.0	27,600	2.44
1396899	38QRR048---3	CAP**6021A**	58MV(B,C)100-20	48,000	12.0	14.5	46,500	3.72	8.0	27,600	2.44
3015597	38QRR048---3	CAP**6021A**	58PH*090-16	48,000	12.0	14.5	46,500	3.78	8.0	27,800	2.48
3015598	38QRR048---3	CAP**6021A**	58PH*110-20	48,000	12.0	14.5	46,500	3.82	8.0	27,600	2.50
3757340	38QRR048---3	CAP**6021A**	58UVB080-20	48,000	12.0	14.5	46,500	3.70	8.0	27,600	2.44
3757362	38QRR048---3	CAP**6021A**	58UVB100-20	48,000	12.0	14.5	46,500	3.72	8.0	27,600	2.44
3835379	38QRR048---3	CAP**6021A**	58VLR120-20	48,000	11.5	14.0	46,500	3.76	8.0	27,400	2.46
3835378	38QRR048---3	CAP**6021A**	58VMR120-20	48,000	11.5	14.0	46,500	3.72	7.8	27,600	2.44
4209489	38QRR048---3	CAP**6021A**	OVLAAB048112	48,000	11.0	13.0	48,000	3.54	7.7	28,800	2.30
1147134	38QRR048---3	CAP**6021A**+TDR		48,500	11.5	13.5	46,000	3.76	8.0	28,600	2.42
1147254	38QRR048---3	CAP**6024A**	58CV(A,X)110-20	48,000	12.0	14.5	46,500	3.74	8.0	27,600	2.46
1147146	38QRR048---3	CAP**6024A**	58CV(A,X)135-22	48,000	12.0	14.5	46,500	3.76	8.0	27,400	2.48
1147148	38QRR048---3	CAP**6024A**	58CV(A,X)155-22	48,500	12.5	15.0	46,500	3.80	8.0	27,400	2.50
3835380	38QRR048---3	CAP**6024A**	58HDV100--20	48,000	11.5	14.0	46,500	3.76	8.0	27,800	2.46
3112753	38QRR048---3	CAP**6024A**	58ME(B,C)120-20	48,000	12.0	14.5	46,500	3.82	8.0	27,600	2.50
1395171	38QRR048---3	CAP**6024A**	58MV(B,C)080-20	48,000	12.0	14.0	46,500	3.68	8.0	27,800	2.42
1396913	38QRR048---3	CAP**6024A**	58MV(B,C)100-20	48,000	12.0	14.5	46,500	3.70	8.0	27,600	2.44
1398541	38QRR048---3	CAP**6024A**	58MV(B,C)120-20	48,000	12.0	14.5	46,500	3.70	8.0	27,600	2.44
3015599	38QRR048---3	CAP**6024A**	58PH*135-20	48,000	12.0	14.5	46,500	3.78	8.0	27,600	2.48
3757342	38QRR048---3	CAP**6024A**	58UVB080-20	48,000	12.0	14.0	46,500	3.68	8.0	27,800	2.42
3757364	38QRR048---3	CAP**6024A**	58UVB100-20	48,000	12.0	14.5	46,500	3.70	8.0	27,600	2.44
3757381	38QRR048---3	CAP**6024A**	58UVB120-20	48,000	12.0	14.5	46,500	3.70	8.0	27,600	2.44
1147142	38QRR048---3	CAP**6024A**+TDR		48,500	11.5	13.5	47,500	3.76	8.0	28,600	2.42
3835385	38QRR048---3	CAP**6025A**	58CV(A,X)135-22	48,000	12.0	14.5	46,500	3.78	8.2	27,400	2.48
3835386	38QRR048---3	CAP**6025A**	58CV(A,X)155-22	48,000	12.0	14.5	46,500	3.82	8.2	27,400	2.50
3835389	38QRR048---3	CAP**6025A**	58HDV100--20	48,000	11.5	14.0	46,500	3.76	8.0	27,800	2.46
3835388	38QRR048---3	CAP**6025A**	58ME(B,C)120-20	48,000	12.0	14.5	46,500	3.84	8.2	27,600	2.50
3835384	38QRR048---3	CAP**6025A**	58MV(B,C)120-20	48,000	12.0	14.5	46,500	3.74	8.0	27,600	2.46
3835387	38QRR048---3	CAP**6025A**	58PH*135-20	48,000	12.0	14.5	46,500	3.78	8.2	27,600	2.48
3835383	38QRR048---3	CAP**6025A**+TDR		48,000	11.0	13.0	46,500	3.74	8.0	28,600	2.42
1147182	38QRR048---3	CNPH*4821A**	58CV(A,X)090-16	47,000	12.0	14.0	46,500	3.64	7.9	27,400	2.42
1147184	38QRR048---3	CNPH*4821A**	58CV(A,X)110-20	47,000	12.0	14.0	46,500	3.66	8.0	27,400	2.42
1147186	38QRR048---3	CNPH*4821A**	58CV(A,X)135-22	47,000	12.0	14.5	46,000	3.70	8.0	27,400	2.44
1147188	38QRR048---3	CNPH*4821A**	58CV(A,X)155-22	47,500	12.0	14.5	46,000	3.72	8.0	27,400	2.46
3835401	38QRR048---3	CNPH*4821A**	58HDV080--20	47,000	11.0	13.5	46,500	3.72	7.8	28,000	2.42
3835402	38QRR048---3	CNPH*4821A**	58HDV100--20	47,000	11.5	14.0	46,500	3.72	7.8	27,600	2.42
3112757	38QRR048---3	CNPH*4821A**	58ME(B,C)080-16	47,000	11.0	13.5	46,000	3.66	8.0	27,800	2.40
3112758	38QRR048---3	CNPH*4821A**	58ME(B,C)100-20	47,000	12.0	14.5	46,000	3.72	8.0	27,600	2.44
3112759	38QRR048---3	CNPH*4821A**	58ME(B,C)120-20	47,000	12.0	14.5	46,000	3.74	8.0	27,600	2.46
1395161	38QRR048---3	CNPH*4821A**	58MV(B,C)080-20	47,000	11.5	14.0	46,500	3.62	7.9	27,600	2.40
1396903	38QRR048---3	CNPH*4821A**	58MV(B,C)100-20	47,000	12.0	14.0	46,500	3.64	7.9	27,600	2.40
1398547	38QRR048---3	CNPH*4821A**	58MV(B,C)120-20	47,000	12.0	14.0	46,500	3.62	7.9	27,400	2.40
3015604	38QRR048---3	CNPH*4821A**	58PH*070-16	47,000	11.5	13.5	46,000	3.50	7.7	27,400	2.34

See notes on page 40

# COMBINATION RATINGS CONTINUED

AHR Ref. No.	Model Number	Coil Model Number	Furnace Model Number	Cooling Capacity	EER	SEER	High Temp		HSPF	Low Temp	
							E Capacity	E COP		H Capacity	H COP
3015605	38QRR048---3	CNPH*4821A**	58PH*090-16	47,000	11.5	14.0	46,000	3.68	7.8	27,600	2.42
3015606	38QRR048---3	CNPH*4821A**	58PH*110-20	47,000	11.5	14.0	46,000	3.72	7.8	27,400	2.46
3015607	38QRR048---3	CNPH*4821A**	58PH*135-20	47,000	11.5	14.0	46,000	3.70	7.8	27,600	2.44
3835404	38QRR048---3	CNPH*4821A**	58VLR120-20	47,000	11.5	14.0	46,500	3.72	7.8	27,200	2.44
3835403	38QRR048---3	CNPH*4821A**	58VMR120-20	47,000	11.5	14.0	46,500	3.68	7.8	27,400	2.42
4209490	38QRR048---3	CNPH*4821A**	OVLAAB060154	48,000	11.0	13.0	48,000	3.66	7.8	29,000	2.36
1147174	38QRR048---3	CNPH*4821A**+TDR		47,500	11.5	13.5	47,000	3.68	8.0	28,400	2.40
1147198	38QRR048---3	CNPH*6024A**	58CV(A,X)090-16	48,000	12.0	14.5	46,500	3.72	8.0	27,600	2.44
1147200	38QRR048---3	CNPH*6024A**	58CV(A,X)110-20	48,000	12.0	14.5	46,500	3.74	8.0	27,600	2.46
1147202	38QRR048---3	CNPH*6024A**	58CV(A,X)135-22	48,000	12.5	15.0	46,500	3.76	8.0	27,400	2.48
1147204	38QRR048---3	CNPH*6024A**	58CV(A,X)155-22	48,000	12.5	15.0	46,500	3.80	8.0	27,400	2.50
3835405	38QRR048---3	CNPH*6024A**	58HVDV080---20	48,000	11.5	14.0	46,500	3.76	8.0	28,200	2.46
3835406	38QRR048---3	CNPH*6024A**	58HVDV100---20	48,000	11.5	14.0	46,500	3.76	8.0	27,800	2.46
3112760	38QRR048---3	CNPH*6024A**	58ME(B,C)080-16	48,000	11.0	13.5	46,500	3.72	8.0	28,000	2.44
3112761	38QRR048---3	CNPH*6024A**	58ME(B,C)100-20	48,000	12.0	14.5	46,500	3.80	8.0	27,600	2.48
3112762	38QRR048---3	CNPH*6024A**	58ME(B,C)120-20	48,000	12.0	14.5	46,500	3.82	8.0	27,600	2.50
1395163	38QRR048---3	CNPH*6024A**	58MV(B,C)080-20	48,000	12.0	14.0	46,500	3.68	8.0	27,600	2.42
1396905	38QRR048---3	CNPH*6024A**	58MV(B,C)100-20	48,000	12.0	14.5	46,500	3.70	8.0	27,600	2.44
1398549	38QRR048---3	CNPH*6024A**	58MV(B,C)120-20	48,000	12.0	14.5	46,500	3.70	8.0	27,600	2.44
3015608	38QRR048---3	CNPH*6024A**	58PH*070-16	47,500	11.5	14.0	46,500	3.56	7.8	27,600	2.38
3015609	38QRR048---3	CNPH*6024A**	58PH*090-16	48,000	12.0	14.5	46,500	3.76	8.0	27,800	2.46
3015610	38QRR048---3	CNPH*6024A**	58PH*110-20	48,000	12.0	14.5	46,500	3.80	8.0	27,600	2.50
3015611	38QRR048---3	CNPH*6024A**	58PH*135-20	48,000	12.0	14.5	46,500	3.78	8.0	27,600	2.48
3835408	38QRR048---3	CNPH*6024A**	58VLR120-20	48,000	12.0	14.5	46,500	3.76	8.0	27,400	2.48
3835407	38QRR048---3	CNPH*6024A**	58VMR120-20	48,000	12.0	14.5	46,500	3.72	8.0	27,600	2.46
4209491	38QRR048---3	CNPH*6024A**	OVLAAB048112	48,000	11.0	13.0	48,000	3.54	7.7	28,600	2.32
4209492	38QRR048---3	CNPH*6024A**	OVLAAB060154	48,000	11.5	13.5	48,000	3.70	8.0	29,000	2.40
1147190	38QRR048---3	CNPH*6024A**+TDR		48,500	11.5	13.5	47,500	3.74	8.0	28,600	2.42
3835413	38QRR048---3	CNPH*6124A**	58CV(A,X)090-16	48,000	12.0	14.5	46,500	3.76	8.0	27,600	2.46
3835414	38QRR048---3	CNPH*6124A**	58CV(A,X)110-20	48,000	12.0	14.5	46,500	3.78	8.0	27,600	2.46
3835415	38QRR048---3	CNPH*6124A**	58CV(A,X)135-22	48,000	12.0	14.5	46,500	3.82	8.2	27,400	2.50
3835416	38QRR048---3	CNPH*6124A**	58CV(A,X)155-22	48,000	12.0	14.5	46,500	3.84	8.2	27,400	2.52
3835424	38QRR048---3	CNPH*6124A**	58HVDV080---20	48,000	11.5	14.0	47,000	3.78	8.2	28,200	2.46
3835425	38QRR048---3	CNPH*6124A**	58HVDV100---20	48,000	11.5	14.0	47,000	3.78	8.0	27,800	2.46
3835421	38QRR048---3	CNPH*6124A**	58ME(B,C)080-16	48,000	11.5	14.0	47,000	3.78	8.2	28,000	2.46
3835422	38QRR048---3	CNPH*6124A**	58ME(B,C)100-20	48,000	12.0	14.5	47,000	3.84	8.2	27,600	2.50
3835423	38QRR048---3	CNPH*6124A**	58ME(B,C)120-20	48,000	12.0	14.5	47,000	3.86	8.2	27,600	2.52
3835410	38QRR048---3	CNPH*6124A**	58MV(B,C)080-20	48,000	11.5	14.0	46,500	3.70	8.0	27,600	2.44
3835411	38QRR048---3	CNPH*6124A**	58MV(B,C)100-20	48,000	11.5	14.0	46,500	3.74	8.0	27,800	2.44
3835412	38QRR048---3	CNPH*6124A**	58MV(B,C)120-20	48,000	12.0	14.5	46,500	3.76	8.0	27,600	2.46
3835417	38QRR048---3	CNPH*6124A**	58PH*070-16	48,000	11.0	13.5	46,500	3.64	7.8	28,400	2.36
3835418	38QRR048---3	CNPH*6124A**	58PH*090-16	48,000	12.0	14.5	46,500	3.80	8.2	27,800	2.48
3835419	38QRR048---3	CNPH*6124A**	58PH*110-20	48,000	12.0	14.5	46,500	3.84	8.2	27,400	2.50
3835420	38QRR048---3	CNPH*6124A**	58PH*135-20	48,000	12.0	14.5	46,500	3.82	8.2	27,600	2.48
3835427	38QRR048---3	CNPH*6124A**	58VLR120-20	48,000	12.0	14.5	46,500	3.78	8.0	27,400	2.48
3835426	38QRR048---3	CNPH*6124A**	58VMR120-20	48,000	11.5	14.0	47,000	3.76	8.0	27,600	2.46
4209493	38QRR048---3	CNPH*6124A**	OVLAAB048112	48,000	11.0	13.0	48,000	3.56	7.8	28,800	2.32
4209494	38QRR048---3	CNPH*6124A**	OVLAAB060154	48,000	11.5	13.5	48,000	3.74	8.0	29,200	2.40
3835409	38QRR048---3	CNPH*6124A**+TDR		48,000	11.0	13.0	46,500	3.78	8.0	28,600	2.44
1147256	38QRR048---3	CNPH*4821A**	58CV(A,X)090-16	47,000	12.0	14.0	46,500	3.64	7.9	27,400	2.42
1147156	38QRR048---3	CNPH*4821A**	58CV(A,X)110-20	47,000	12.0	14.0	46,500	3.66	8.0	27,400	2.42
3112754	38QRR048---3	CNPH*4821A**	58ME(B,C)100-20	47,000	12.0	14.5	46,000	3.72	8.0	27,600	2.44
1395159	38QRR048---3	CNPH*4821A**	58MV(B,C)080-20	47,000	11.5	14.0	46,500	3.62	7.9	27,600	2.40
1396901	38QRR048---3	CNPH*4821A**	58MV(B,C)100-20	47,000	12.0	14.0	46,500	3.64	7.9	27,600	2.40
3015600	38QRR048---3	CNPH*4821A**	58PH*090-16	47,000	11.5	14.0	46,000	3.68	7.8	27,600	2.42
3015601	38QRR048---3	CNPH*4821A**	58PH*110-20	47,000	11.5	14.0	46,000	3.72	7.8	27,400	2.46
3758674	38QRR048---3	CNPH*4821A**	58UVB080-20	47,000	11.5	14.0	46,500	3.62	7.9	27,600	2.40
3758690	38QRR048---3	CNPH*4821A**	58UVB100-20	47,000	12.0	14.0	46,500	3.64	7.9	27,600	2.40
3835391	38QRR048---3	CNPH*4821A**	58VLR120-20	47,000	11.5	14.0	46,500	3.72	7.8	27,200	2.44
3835390	38QRR048---3	CNPH*4821A**	58VMR120-20	47,000	11.5	14.0	46,500	3.68	7.8	27,400	2.42
1147150	38QRR048---3	CNPH*4821A**+TDR		48,000	11.5	13.5	47,000	3.68	8.0	28,400	2.40
1147262	38QRR048---3	CNPH*4824A**	58CV(A,X)110-20	47,000	12.0	14.0	46,500	3.66	8.0	27,400	2.42
1147162	38QRR048---3	CNPH*4824A**	58CV(A,X)135-22	47,000	12.0	14.5	46,000	3.70	8.0	27,400	2.44
1147164	38QRR048---3	CNPH*4824A**	58CV(A,X)155-22	47,500	12.0	14.5	46,000	3.72	8.0	27,400	2.46
4149638	38QRR048---3	CNPH*4824A**	58HVDV100---20	47,000	11.5	14.0	46,500	3.72	7.8	27,600	2.42
3835392	38QRR048---3	CNPH*4824A**	58HVDV100---20 (DWNFLW ONLY)	47,000	11.5	14.0	46,500	3.72	7.8	27,600	2.42
3112755	38QRR048---3	CNPH*4824A**	58ME(B,C)120-20	47,000	12.0	14.5	46,000	3.74	8.0	27,600	2.46
1395173	38QRR048---3	CNPH*4824A**	58MV(B,C)080-20	47,000	11.5	14.0	46,500	3.62	7.9	27,600	2.40
1396915	38QRR048---3	CNPH*4824A**	58MV(B,C)100-20	47,000	12.0	14.0	46,500	3.64	7.9	27,600	2.40
1398543	38QRR048---3	CNPH*4824A**	58MV(B,C)120-20	47,000	12.0	14.0	46,500	3.62	7.9	27,400	2.40
3015602	38QRR048---3	CNPH*4824A**	58PH*135-20	47,000	11.5	14.0	46,000	3.70	7.8	27,600	2.44
3758675	38QRR048---3	CNPH*4824A**	58UVB080-20	47,000	11.5	14.0	46,500	3.62	7.9	27,600	2.40
3758691	38QRR048---3	CNPH*4824A**	58UVB100-20	47,000	12.0	14.0	46,500	3.64	7.9	27,600	2.40
3758703	38QRR048---3	CNPH*4824A**	58UVB120-20	47,000	12.0	14.0	46,500	3.62	7.9	27,400	2.40
1147158	38QRR048---3	CNPH*4824A**+TDR		47,500	11.5	13.5	47,000	3.68	8.0	28,400	2.40
1147268	38QRR048---3	CNPH*6024A**	58CV(A,X)110-20	48,000	12.0	14.5	46,500	3.74	8.0	27,600	2.46
1147170	38QRR048---3	CNPH*6024A**	58CV(A,X)135-22	48,000	12.5	15.0	46,500	3.76	8.0	27,400	2.48
1147172	38QRR048---3	CNPH*6024A**	58CV(A,X)155-22	48,000	12.5	15.0	46,500	3.80	8.0	27,400	2.50

See notes on page 40

# COMBINATION RATINGS CONTINUED

AHRI Ref. No.	Model Number	Coil Model Number	Furnace Model Number	Cooling Capacity	EER	SEER	High Temp		HSPF	Low Temp	
							E Capacity	E COP		H Capacity	H COP
4149639	38QRR048---3	CNPV*6024A**	58HDV100--20	48,000	11.5	14.0	46,500	3.76	8.0	27,800	2.46
3835393	38QRR048---3	CNPV*6024A**	58HDV100--20 (DWNFLW ONLY)	48,000	11.5	14.0	46,500	3.76	8.0	27,800	2.46
3112756	38QRR048---3	CNPV*6024A**	58ME(B,C)120-20	48,000	12.0	14.5	46,500	3.82	8.0	27,600	2.50
1395175	38QRR048---3	CNPV*6024A**	58MV(B,C)080-20	48,000	12.0	14.0	46,500	3.68	8.0	27,600	2.42
1396917	38QRR048---3	CNPV*6024A**	58MV(B,C)100-20	48,000	12.0	14.5	46,500	3.70	8.0	27,600	2.44
1398545	38QRR048---3	CNPV*6024A**	58MV(B,C)120-20	48,000	12.0	14.5	46,500	3.70	8.0	27,600	2.44
3015603	38QRR048---3	CNPV*6024A**	58PH*135-20	48,000	12.0	14.5	46,500	3.78	8.0	27,600	2.48
3758676	38QRR048---3	CNPV*6024A**	58UVB080-20	48,000	12.0	14.0	46,500	3.68	8.0	27,600	2.42
3758692	38QRR048---3	CNPV*6024A**	58UVB100-20	48,000	12.0	14.5	46,500	3.70	8.0	27,600	2.44
3758704	38QRR048---3	CNPV*6024A**	58UVB120-20	48,000	12.0	14.5	46,500	3.70	8.0	27,600	2.44
1147166	38QRR048---3	CNPV*6024A**+TDR		48,500	11.5	13.5	47,500	3.74	8.0	28,600	2.42
3835396	38QRR048---3	CNPV*6124A**	58CV(A,X)135-22	48,000	12.0	14.5	46,500	3.88	8.2	27,400	2.52
3835397	38QRR048---3	CNPV*6124A**	58CV(A,X)155-22	48,000	12.0	14.5	46,500	3.90	8.2	27,400	2.54
4149641	38QRR048---3	CNPV*6124A**	58HDV100--20	48,000	12.0	14.5	46,500	3.84	8.2	28,000	2.48
3835400	38QRR048---3	CNPV*6124A**	58HDV100--20 (DWNFLW ONLY)	48,000	12.0	14.5	46,500	3.84	8.2	28,000	2.48
3835399	38QRR048---3	CNPV*6124A**	58ME(B,C)120-20	48,000	12.0	14.5	46,500	3.94	8.2	27,600	2.54
3835395	38QRR048---3	CNPV*6124A**	58MV(B,C)120-20	48,000	12.0	14.5	46,500	3.82	8.2	27,600	2.50
3835398	38QRR048---3	CNPV*6124A**	58PH*135-20	48,000	12.0	14.5	46,500	3.90	8.2	27,800	2.52
3835394	38QRR048---3	CNPV*6124A**+TDR		48,000	11.0	13.0	46,500	3.82	8.2	28,800	2.44
1147216	38QRR048---3	CSPH*4812A**	58CV(A,X)090-16	47,500	12.0	14.0	46,500	3.66	8.0	27,600	2.42
1147218	38QRR048---3	CSPH*4812A**	58CV(A,X)110-20	47,500	12.0	14.0	46,500	3.68	8.0	27,600	2.42
1147220	38QRR048---3	CSPH*4812A**	58CV(A,X)135-22	47,500	12.0	14.5	46,500	3.72	8.0	27,600	2.46
1147222	38QRR048---3	CSPH*4812A**	58CV(A,X)155-22	47,500	12.0	14.5	46,500	3.76	8.0	27,400	2.48
3835428	38QRR048---3	CSPH*4812A**	58HDV080--20	47,000	11.5	14.0	46,500	3.72	7.8	28,000	2.42
3835429	38QRR048---3	CSPH*4812A**	58HDV100--20	47,000	11.5	14.0	46,500	3.72	7.8	27,800	2.42
3112763	38QRR048---3	CSPH*4812A**	58ME(B,C)080-16	47,000	11.0	13.5	46,000	3.68	8.0	28,000	2.42
3112764	38QRR048---3	CSPH*4812A**	58ME(B,C)100-20	47,000	12.0	14.5	46,000	3.72	8.0	27,600	2.46
3112765	38QRR048---3	CSPH*4812A**	58ME(B,C)120-20	47,000	12.0	14.5	46,000	3.76	8.0	27,600	2.46
1395185	38QRR048---3	CSPH*4812A**	58MV(B,C)080-20	47,000	11.5	14.0	46,500	3.64	7.9	27,800	2.40
1396907	38QRR048---3	CSPH*4812A**	58MV(B,C)100-20	47,500	12.0	14.0	46,500	3.66	7.9	27,800	2.42
1398551	38QRR048---3	CSPH*4812A**	58MV(B,C)120-20	47,500	12.0	14.0	46,500	3.66	7.9	27,600	2.42
3835431	38QRR048---3	CSPH*4812A**	58VLR120-20	47,000	11.5	14.0	46,500	3.74	8.0	27,400	2.44
3835430	38QRR048---3	CSPH*4812A**	58VLR120-20	47,000	11.5	14.0	46,500	3.70	7.8	27,600	2.42
4209495	38QRR048---3	CSPH*4812A**	OVLAAB060154	48,000	11.0	13.0	48,000	3.68	8.0	29,200	2.36
1147208	38QRR048---3	CSPH*4812A**+TDR		48,000	11.5	13.5	47,000	3.72	8.0	28,600	2.42
1147232	38QRR048---3	CSPH*6012A**	58CV(A,X)090-16	48,000	12.0	14.5	46,500	3.74	8.0	27,600	2.46
1147234	38QRR048---3	CSPH*6012A**	58CV(A,X)110-20	48,500	12.0	14.5	46,500	3.78	8.0	27,600	2.48
1147236	38QRR048---3	CSPH*6012A**	58CV(A,X)135-22	48,500	12.5	15.0	46,500	3.80	8.0	27,400	2.50
1147238	38QRR048---3	CSPH*6012A**	58CV(A,X)155-22	48,500	12.5	15.0	46,500	3.84	8.0	27,400	2.52
3835432	38QRR048---3	CSPH*6012A**	58HDV080--20	48,000	11.5	14.0	46,500	3.80	8.2	28,200	2.46
3835433	38QRR048---3	CSPH*6012A**	58HDV100--20	48,000	12.0	14.5	46,500	3.80	8.2	27,800	2.46
3112766	38QRR048---3	CSPH*6012A**	58ME(B,C)080-16	48,000	11.5	14.0	46,500	3.78	8.0	28,000	2.46
3112767	38QRR048---3	CSPH*6012A**	58ME(B,C)100-20	48,000	12.0	14.5	46,500	3.84	8.0	27,800	2.50
3112768	38QRR048---3	CSPH*6012A**	58ME(B,C)120-20	48,000	12.0	14.5	46,500	3.88	8.0	27,800	2.52
1395167	38QRR048---3	CSPH*6012A**	58MV(B,C)080-20	48,000	12.0	14.5	46,500	3.72	8.0	27,800	2.44
1396909	38QRR048---3	CSPH*6012A**	58MV(B,C)100-20	48,000	12.0	14.5	46,500	3.74	8.0	27,600	2.46
1398553	38QRR048---3	CSPH*6012A**	58MV(B,C)120-20	48,000	12.0	14.5	46,500	3.74	8.0	27,600	2.46
3835435	38QRR048---3	CSPH*6012A**	58VLR120-20	48,000	12.0	14.5	46,500	3.78	8.2	27,400	2.48
3835434	38QRR048---3	CSPH*6012A**	58VLR120-20	48,000	12.0	14.5	46,500	3.76	8.0	27,600	2.46
4209496	38QRR048---3	CSPH*6012A**	OVLAAB048112	48,000	11.0	13.0	48,000	3.58	7.8	28,800	2.32
4209497	38QRR048---3	CSPH*6012A**	OVLAAB060154	48,000	11.5	13.5	48,000	3.76	8.0	29,000	2.42
1147224	38QRR048---3	CSPH*6012A**+TDR		49,000	11.5	13.5	47,500	3.78	8.0	28,600	2.44
3835436	38QRR048---3	FB4CNF048+TXV		47,000	11.5	14.0	46,500	3.72	7.8	28,000	2.42
3890031	38QRR048---3	FB4CNF060		48,000	12.0	14.5	47,000	3.82	8.2	28,000	2.48
1147276	38QRR048---3	FE4AN(B,F)005+UI		48,000	12.5	15.0	46,000	3.78	8.0	27,400	2.50
1147278	38QRR048---3	FE4ANB006+UI		49,000	12.5	15.0	46,000	3.92	8.0	27,400	2.56
3405892	38QRR048---3	FV4CN(B,F)005		48,000	12.5	15.0	46,000	3.78	8.0	27,400	2.50
3405893	38QRR048---3	FV4CNB006		49,000	12.0	15.0	46,000	3.92	8.0	27,400	2.56
3835440	38QRR048---3	FX4DN(B,F)049		48,500	12.0	14.5	46,500	3.88	8.2	27,800	2.52
3835441	38QRR048---3	FX4DN(B,F)061		49,000	12.0	14.5	47,000	3.98	8.2	28,000	2.56
3835439	38QRR048---3	FY5BNB060		48,000	11.0	13.5	48,000	3.74	8.0	28,800	2.40
3836193	38QRR048---5	†FY5BNF048+TXV		48,000	11.0	13.0	47,000	3.78	7.8	28,200	2.46
1150516	38QRR048---5	CAP**4817A**	58CV(A,X)090-16	47,000	11.5	14.0	46,500	3.68	8.0	27,800	2.42
3116600	38QRR048---5	CAP**4817A**	58ME(B,C)080-16	47,000	11.0	13.5	46,000	3.68	8.0	28,000	2.42
3015733	38QRR048---5	CAP**4817A**	58PH*070-16	47,000	11.5	13.5	46,000	3.52	7.7	27,600	2.34
1150514	38QRR048---5	CAP**4817A**+TDR		47,000	11.5	13.5	47,000	3.64	7.9	28,000	2.38
1150640	38QRR048---5	CAP**4821A**	58CV(A,X)090-16	47,000	11.5	14.0	46,500	3.64	7.9	27,600	2.40
1150524	38QRR048---5	CAP**4821A**	58CV(A,X)110-20	47,000	12.0	14.0	46,500	3.66	7.9	27,600	2.42
3116601	38QRR048---5	CAP**4821A**	58ME(B,C)100-20	47,000	11.5	14.0	46,000	3.70	8.0	27,600	2.44
1395193	38QRR048---5	CAP**4821A**	58MV(B,C)080-20	47,000	11.5	14.0	46,500	3.60	7.8	27,600	2.38
1396930	38QRR048---5	CAP**4821A**	58MV(B,C)100-20	47,000	11.5	14.0	46,500	3.62	7.9	27,600	2.40
3015734	38QRR048---5	CAP**4821A**	58PH*090-16	47,000	11.5	14.0	46,000	3.68	7.8	27,600	2.42
3015735	38QRR048---5	CAP**4821A**	58PH*110-20	47,000	11.5	14.0	46,000	3.70	7.8	27,400	2.44
3757346	38QRR048---5	CAP**4821A**	58UVB080-20	47,000	11.5	14.0	46,500	3.60	7.8	27,600	2.38
3757368	38QRR048---5	CAP**4821A**	58UVB100-20	47,000	11.5	14.0	46,500	3.62	7.9	27,600	2.40
3836131	38QRR048---5	CAP**4821A**	58VLR120-20	47,000	11.5	14.0	46,000	3.68	7.8	27,200	2.42
3836130	38QRR048---5	CAP**4821A**	58VLR120-20	47,000	11.5	14.0	46,000	3.66	7.8	27,400	2.40

See notes on page 40



# COMBINATION RATINGS CONTINUED

AHRI Ref. No.	Model Number	Coil Model Number	Furnace Model Number	Cooling Capacity	EER	SEER	High Temp		HSPF	Low Temp	
							E Capacity	E COP		H Capacity	H COP
1150518	38QRR048---5	CAP**4821A**+TDR		47,500	11.5	13.5	47,000	3.68	8.0	28,400	2.40
3836137	38QRR048---5	CAP**4823A**	58HDV080--20	47,000	11.0	13.5	47,000	3.68	7.8	28,000	2.40
3836136	38QRR048---5	CAP**4823A**+TDR		47,000	11.0	13.0	47,000	3.70	7.8	28,400	2.40
1150646	38QRR048---5	CAP**4824A**	58CV(A,X)110-20	47,000	12.0	14.0	46,500	3.66	8.0	27,400	2.42
1150530	38QRR048---5	CAP**4824A**	58CV(A,X)135-22	47,000	12.0	14.5	46,000	3.70	8.0	27,400	2.44
1150532	38QRR048---5	CAP**4824A**	58CV(A,X)155-22	47,000	12.0	14.5	46,000	3.72	8.0	27,400	2.46
3836132	38QRR048---5	CAP**4824A**	58HDV100--20	47,000	11.5	14.0	46,000	3.70	7.8	27,600	2.42
3116602	38QRR048---5	CAP**4824A**	58ME(B,C)120-20	47,000	11.5	14.0	46,000	3.74	8.0	27,600	2.46
1395207	38QRR048---5	CAP**4824A**	58MV(B,C)080-20	47,000	11.5	14.0	46,500	3.60	7.9	27,600	2.40
1396944	38QRR048---5	CAP**4824A**	58MV(B,C)100-20	47,000	11.5	14.0	46,500	3.62	7.9	27,600	2.40
1398565	38QRR048---5	CAP**4824A**	58MV(B,C)120-20	47,000	11.5	14.0	46,500	3.62	7.9	27,400	2.40
3015736	38QRR048---5	CAP**4824A**	58PH*135-20	47,000	11.5	14.0	46,000	3.70	7.8	27,600	2.44
3757348	38QRR048---5	CAP**4824A**	58UVB080-20	47,000	11.5	14.0	46,500	3.60	7.9	27,600	2.40
3757370	38QRR048---5	CAP**4824A**	58UVB100-20	47,000	11.5	14.0	46,500	3.62	7.9	27,600	2.40
3757383	38QRR048---5	CAP**4824A**	58UVB120-20	47,000	11.5	14.0	46,500	3.62	7.9	27,400	2.40
1150526	38QRR048---5	CAP**4824A**+TDR		47,500	11.5	13.5	47,000	3.68	8.0	28,400	2.40
1150648	38QRR048---5	CAP**6021A**	58CV(A,X)090-16	48,000	12.0	14.5	46,500	3.72	8.0	27,600	2.46
1150540	38QRR048---5	CAP**6021A**	58CV(A,X)110-20	48,000	12.0	14.5	46,500	3.76	8.0	27,600	2.48
3116603	38QRR048---5	CAP**6021A**	58ME(B,C)100-20	48,000	12.0	14.5	46,500	3.82	8.0	27,800	2.50
1395195	38QRR048---5	CAP**6021A**	58MV(B,C)080-20	48,000	12.0	14.5	46,500	3.70	8.0	27,600	2.44
1396932	38QRR048---5	CAP**6021A**	58MV(B,C)100-20	48,000	12.0	14.5	46,500	3.72	8.0	27,600	2.44
3015737	38QRR048---5	CAP**6021A**	58PH*090-16	48,000	12.0	14.5	46,500	3.78	8.0	27,800	2.48
3015738	38QRR048---5	CAP**6021A**	58PH*110-20	48,000	12.0	14.5	46,500	3.82	8.0	27,600	2.50
3757347	38QRR048---5	CAP**6021A**	58UVB080-20	48,000	12.0	14.5	46,500	3.70	8.0	27,600	2.44
3757369	38QRR048---5	CAP**6021A**	58UVB100-20	48,000	12.0	14.5	46,500	3.72	8.0	27,600	2.44
3836134	38QRR048---5	CAP**6021A**	58VLR120-20	48,000	11.5	14.0	46,500	3.76	8.0	27,400	2.46
3836133	38QRR048---5	CAP**6021A**	58VMR120-20	48,000	11.5	14.0	46,500	3.72	7.8	27,600	2.44
1150534	38QRR048---5	CAP**6021A**+TDR		48,500	11.5	13.5	46,000	3.76	8.0	28,600	2.42
1150654	38QRR048---5	CAP**6024A**	58CV(A,X)110-20	48,000	12.0	14.5	46,500	3.74	8.0	27,600	2.46
1150546	38QRR048---5	CAP**6024A**	58CV(A,X)135-22	48,000	12.0	14.5	46,500	3.76	8.0	27,400	2.48
1150548	38QRR048---5	CAP**6024A**	58CV(A,X)155-22	48,500	12.5	15.0	46,500	3.80	8.0	27,400	2.50
3836135	38QRR048---5	CAP**6024A**	58HDV100--20	48,000	11.5	14.0	46,500	3.76	8.0	27,800	2.46
3116604	38QRR048---5	CAP**6024A**	58ME(B,C)120-20	48,000	12.0	14.5	46,500	3.82	8.0	27,600	2.50
1395209	38QRR048---5	CAP**6024A**	58MV(B,C)080-20	48,000	12.0	14.0	46,500	3.68	8.0	27,800	2.42
1396946	38QRR048---5	CAP**6024A**	58MV(B,C)100-20	48,000	12.0	14.5	46,500	3.70	8.0	27,600	2.44
1398567	38QRR048---5	CAP**6024A**	58MV(B,C)120-20	48,000	12.0	14.5	46,500	3.70	8.0	27,600	2.44
3015739	38QRR048---5	CAP**6024A**	58PH*135-20	48,000	12.0	14.5	46,500	3.78	8.0	27,600	2.48
3757349	38QRR048---5	CAP**6024A**	58UVB080-20	48,000	12.0	14.0	46,500	3.68	8.0	27,800	2.42
3757371	38QRR048---5	CAP**6024A**	58UVB100-20	48,000	12.0	14.5	46,500	3.70	8.0	27,600	2.44
3757384	38QRR048---5	CAP**6024A**	58UVB120-20	48,000	12.0	14.5	46,500	3.70	8.0	27,600	2.44
1150542	38QRR048---5	CAP**6024A**+TDR		48,500	11.5	13.5	47,500	3.76	8.0	28,600	2.42
3836140	38QRR048---5	CAP**6025A**	58CV(A,X)135-22	48,000	12.0	14.5	46,500	3.78	8.2	27,400	2.48
3836141	38QRR048---5	CAP**6025A**	58CV(A,X)155-22	48,000	12.0	14.5	46,500	3.82	8.2	27,400	2.50
3836144	38QRR048---5	CAP**6025A**	58HDV100--20	48,000	11.5	14.0	46,500	3.76	8.0	27,800	2.46
3836143	38QRR048---5	CAP**6025A**	58ME(B,C)120-20	48,000	12.0	14.5	46,500	3.84	8.2	27,600	2.50
3836139	38QRR048---5	CAP**6025A**	58MV(B,C)100-20	48,000	12.0	14.5	46,500	3.74	8.0	27,600	2.46
3836142	38QRR048---5	CAP**6025A**	58PH*135-20	48,000	12.0	14.5	46,500	3.78	8.2	27,600	2.48
3836138	38QRR048---5	CAP**6025A**+TDR		48,000	11.0	13.0	46,500	3.74	8.0	28,600	2.42
1150582	38QRR048---5	CNPH*4821A**	58CV(A,X)090-16	47,000	12.0	14.0	46,500	3.64	7.9	27,400	2.42
1150584	38QRR048---5	CNPH*4821A**	58CV(A,X)110-20	47,000	12.0	14.0	46,500	3.66	8.0	27,400	2.42
1150586	38QRR048---5	CNPH*4821A**	58CV(A,X)135-22	47,000	12.0	14.5	46,000	3.70	8.0	27,400	2.44
1150588	38QRR048---5	CNPH*4821A**	58CV(A,X)155-22	47,500	12.0	14.5	46,000	3.72	8.0	27,400	2.46
3836156	38QRR048---5	CNPH*4821A**	58HDV080--20	47,000	11.0	13.5	46,500	3.72	7.8	28,000	2.42
3836157	38QRR048---5	CNPH*4821A**	58HDV100--20	47,000	11.5	14.0	46,500	3.72	7.8	27,600	2.42
3116608	38QRR048---5	CNPH*4821A**	58ME(B,C)080-16	47,000	11.0	13.5	46,000	3.66	8.0	27,800	2.40
3116609	38QRR048---5	CNPH*4821A**	58ME(B,C)100-20	47,000	12.0	14.5	46,000	3.72	8.0	27,600	2.44
3116610	38QRR048---5	CNPH*4821A**	58ME(B,C)120-20	47,000	12.0	14.5	46,000	3.74	8.0	27,600	2.46
1395199	38QRR048---5	CNPH*4821A**	58MV(B,C)080-20	47,000	11.5	14.0	46,500	3.62	7.9	27,600	2.40
1396936	38QRR048---5	CNPH*4821A**	58MV(B,C)100-20	47,000	12.0	14.0	46,500	3.64	7.9	27,600	2.40
1398573	38QRR048---5	CNPH*4821A**	58MV(B,C)120-20	47,000	12.0	14.0	46,500	3.62	7.9	27,400	2.40
3015744	38QRR048---5	CNPH*4821A**	58PH*070-16	47,000	11.5	13.5	46,000	3.50	7.7	27,400	2.34
3015745	38QRR048---5	CNPH*4821A**	58PH*090-16	47,000	11.5	14.0	46,000	3.68	7.8	27,600	2.42
3015746	38QRR048---5	CNPH*4821A**	58PH*110-20	47,000	11.5	14.0	46,000	3.72	7.8	27,400	2.46
3015747	38QRR048---5	CNPH*4821A**	58PH*135-20	47,000	11.5	14.0	46,000	3.70	7.8	27,600	2.44
3836159	38QRR048---5	CNPH*4821A**	58VLR120-20	47,000	11.5	14.0	46,500	3.72	7.8	27,200	2.44
3836158	38QRR048---5	CNPH*4821A**	58VMR120-20	47,000	11.5	14.0	46,500	3.68	7.8	27,400	2.42
1150574	38QRR048---5	CNPH*4821A**+TDR		47,500	11.5	13.5	47,000	3.68	8.0	28,400	2.40
1150598	38QRR048---5	CNPH*6024A**	58CV(A,X)090-16	48,000	12.0	14.5	46,500	3.72	8.0	27,600	2.44
1150600	38QRR048---5	CNPH*6024A**	58CV(A,X)110-20	48,000	12.0	14.5	46,500	3.74	8.0	27,600	2.46
1150602	38QRR048---5	CNPH*6024A**	58CV(A,X)135-22	48,000	12.5	15.0	46,500	3.76	8.0	27,400	2.48
1150604	38QRR048---5	CNPH*6024A**	58CV(A,X)155-22	48,000	12.5	15.0	46,500	3.80	8.0	27,400	2.50
3836160	38QRR048---5	CNPH*6024A**	58HDV080--20	48,000	11.5	14.0	46,500	3.76	8.0	28,200	2.46
3836161	38QRR048---5	CNPH*6024A**	58HDV100--20	48,000	11.5	14.0	46,500	3.76	8.0	27,800	2.46
3116611	38QRR048---5	CNPH*6024A**	58ME(B,C)080-16	48,000	11.0	13.5	46,500	3.72	8.0	28,000	2.44
3116612	38QRR048---5	CNPH*6024A**	58ME(B,C)100-20	48,000	12.0	14.5	46,500	3.80	8.0	27,600	2.48
3116613	38QRR048---5	CNPH*6024A**	58ME(B,C)120-20	48,000	12.0	14.5	46,500	3.82	8.0	27,600	2.50
1395201	38QRR048---5	CNPH*6024A**	58MV(B,C)080-20	48,000	12.0	14.0	46,500	3.68	8.0	27,600	2.42
1396938	38QRR048---5	CNPH*6024A**	58MV(B,C)100-20	48,000	12.0	14.5	46,500	3.70	8.0	27,600	2.44
1398575	38QRR048---5	CNPH*6024A**	58MV(B,C)120-20	48,000	12.0	14.5	46,500	3.70	8.0	27,600	2.44

38QRR

See notes on page 40

# COMBINATION RATINGS CONTINUED

AHR Ref. No.	Model Number	Coil Model Number	Furnace Model Number	Cooling Capacity	EER	SEER	High Temp		HSPF	Low Temp	
							E Capacity	E COP		H Capacity	H COP
3015748	38QRR048---5	CNPH*6024A**	58PH*070-16	47,500	11.5	14.0	46,500	3.56	7.8	27,600	2.38
3015749	38QRR048---5	CNPH*6024A**	58PH*090-16	48,000	12.0	14.5	46,500	3.76	8.0	27,800	2.46
3015750	38QRR048---5	CNPH*6024A**	58PH*110-20	48,000	12.0	14.5	46,500	3.80	8.0	27,600	2.50
3015751	38QRR048---5	CNPH*6024A**	58PH*135-20	48,000	12.0	14.5	46,500	3.78	8.0	27,600	2.48
3836163	38QRR048---5	CNPH*6024A**	58VLR120-20	48,000	12.0	14.5	46,500	3.76	8.0	27,400	2.48
3836162	38QRR048---5	CNPH*6024A**	58VMR120-20	48,000	12.0	14.5	46,500	3.72	8.0	27,600	2.46
1150590	38QRR048---5	CNPH*6024A**+TDR		48,500	11.5	13.5	47,500	3.74	8.0	28,600	2.42
3836168	38QRR048---5	CNPH*6124A**	58CV(A,X)090-16	48,000	12.0	14.5	46,500	3.76	8.0	27,600	2.46
3836169	38QRR048---5	CNPH*6124A**	58CV(A,X)110-20	48,000	12.0	14.5	46,500	3.78	8.0	27,600	2.46
3836170	38QRR048---5	CNPH*6124A**	58CV(A,X)135-22	48,000	12.0	14.5	46,500	3.82	8.2	27,400	2.50
3836171	38QRR048---5	CNPH*6124A**	58CV(A,X)155-22	48,000	12.0	14.5	46,500	3.84	8.2	27,400	2.52
3836179	38QRR048---5	CNPH*6124A**	58HDV080--20	48,000	11.5	14.0	47,000	3.78	8.2	28,200	2.46
3836180	38QRR048---5	CNPH*6124A**	58HDV100--20	48,000	11.5	14.0	47,000	3.78	8.0	27,800	2.46
3836176	38QRR048---5	CNPH*6124A**	58ME(B,C)080-16	48,000	11.5	14.0	47,000	3.78	8.2	28,000	2.46
3836177	38QRR048---5	CNPH*6124A**	58ME(B,C)100-20	48,000	12.0	14.5	47,000	3.84	8.2	27,600	2.50
3836178	38QRR048---5	CNPH*6124A**	58ME(B,C)120-20	48,000	12.0	14.5	47,000	3.86	8.2	27,600	2.52
3836165	38QRR048---5	CNPH*6124A**	58MV(B,C)080-20	48,000	11.5	14.0	46,500	3.70	8.0	27,600	2.44
3836166	38QRR048---5	CNPH*6124A**	58MV(B,C)100-20	48,000	11.5	14.0	46,500	3.74	8.0	27,800	2.44
3836167	38QRR048---5	CNPH*6124A**	58MV(B,C)120-20	48,000	12.0	14.5	46,500	3.76	8.0	27,600	2.46
3836172	38QRR048---5	CNPH*6124A**	58PH*070-16	48,000	11.0	13.5	46,500	3.64	7.8	28,400	2.36
3836173	38QRR048---5	CNPH*6124A**	58PH*090-16	48,000	12.0	14.5	46,500	3.80	8.2	27,800	2.48
3836174	38QRR048---5	CNPH*6124A**	58PH*110-20	48,000	12.0	14.5	46,500	3.84	8.2	27,400	2.50
3836175	38QRR048---5	CNPH*6124A**	58PH*135-20	48,000	12.0	14.5	46,500	3.82	8.2	27,600	2.48
3836182	38QRR048---5	CNPH*6124A**	58VLR120-20	48,000	12.0	14.5	46,500	3.78	8.0	27,400	2.48
3836181	38QRR048---5	CNPH*6124A**	58VMR120-20	48,000	11.5	14.0	47,000	3.76	8.0	27,600	2.46
3836164	38QRR048---5	CNPH*6124A**+TDR		48,000	11.0	13.0	46,500	3.78	8.0	28,600	2.44
1150656	38QRR048---5	CNPV*4821A**	58CV(A,X)090-16	47,000	12.0	14.0	46,500	3.64	7.9	27,400	2.42
1150556	38QRR048---5	CNPV*4821A**	58CV(A,X)110-20	47,000	12.0	14.0	46,500	3.66	8.0	27,400	2.42
3116605	38QRR048---5	CNPV*4821A**	58ME(B,C)100-20	47,000	12.0	14.5	46,000	3.72	8.0	27,600	2.44
1395197	38QRR048---5	CNPV*4821A**	58MV(B,C)080-20	47,000	11.5	14.0	46,500	3.62	7.9	27,600	2.40
1396934	38QRR048---5	CNPV*4821A**	58MV(B,C)100-20	47,000	12.0	14.0	46,500	3.64	7.9	27,600	2.40
3015740	38QRR048---5	CNPV*4821A**	58PH*090-16	47,000	11.5	14.0	46,000	3.68	7.8	27,600	2.42
3015741	38QRR048---5	CNPV*4821A**	58PH*110-20	47,000	11.5	14.0	46,000	3.72	7.8	27,400	2.46
3758679	38QRR048---5	CNPV*4821A**	58UVB080-20	47,000	11.5	14.0	46,500	3.62	7.9	27,600	2.40
3758695	38QRR048---5	CNPV*4821A**	58UVB100-20	47,000	12.0	14.0	46,500	3.64	7.9	27,600	2.40
3836146	38QRR048---5	CNPV*4821A**	58VLR120-20	47,000	11.5	14.0	46,500	3.72	7.8	27,200	2.44
3836145	38QRR048---5	CNPV*4821A**	58VMR120-20	47,000	11.5	14.0	46,500	3.68	7.8	27,400	2.42
1150550	38QRR048---5	CNPV*4821A**+TDR		48,000	11.5	13.5	47,000	3.68	8.0	28,400	2.40
1150662	38QRR048---5	CNPV*4824A**	58CV(A,X)110-20	47,000	12.0	14.0	46,500	3.66	8.0	27,400	2.42
1150562	38QRR048---5	CNPV*4824A**	58CV(A,X)135-22	47,000	12.0	14.5	46,000	3.70	8.0	27,400	2.44
1150564	38QRR048---5	CNPV*4824A**	58CV(A,X)155-22	47,500	12.0	14.5	46,000	3.72	8.0	27,400	2.46
4149642	38QRR048---5	CNPV*4824A**	58HDV100--20	47,000	11.5	14.0	46,500	3.72	7.8	27,600	2.42
3836147	38QRR048---5	CNPV*4824A**	58HDV100--20 (DWNFLW ONLY)	47,000	11.5	14.0	46,500	3.72	7.8	27,600	2.42
3116606	38QRR048---5	CNPV*4824A**	58ME(B,C)120-20	47,000	12.0	14.5	46,000	3.74	8.0	27,600	2.46
1395211	38QRR048---5	CNPV*4824A**	58MV(B,C)080-20	47,000	11.5	14.0	46,500	3.62	7.9	27,600	2.40
1396948	38QRR048---5	CNPV*4824A**	58MV(B,C)100-20	47,000	12.0	14.0	46,500	3.64	7.9	27,600	2.40
1398569	38QRR048---5	CNPV*4824A**	58MV(B,C)120-20	47,000	12.0	14.0	46,500	3.62	7.9	27,400	2.40
3015742	38QRR048---5	CNPV*4824A**	58PH*135-20	47,000	11.5	14.0	46,000	3.70	7.8	27,600	2.44
3758680	38QRR048---5	CNPV*4824A**	58UVB080-20	47,000	11.5	14.0	46,500	3.62	7.9	27,600	2.40
3758696	38QRR048---5	CNPV*4824A**	58UVB100-20	47,000	12.0	14.0	46,500	3.64	7.9	27,600	2.40
3758705	38QRR048---5	CNPV*4824A**	58UVB120-20	47,000	12.0	14.0	46,500	3.62	7.9	27,400	2.40
1150558	38QRR048---5	CNPV*4824A**+TDR		47,500	11.5	13.5	47,000	3.68	8.0	28,400	2.40
1150668	38QRR048---5	CNPV*6024A**	58CV(A,X)110-20	48,000	12.0	14.5	46,500	3.74	8.0	27,600	2.46
1150570	38QRR048---5	CNPV*6024A**	58CV(A,X)135-22	48,000	12.5	15.0	46,500	3.76	8.0	27,400	2.48
1150572	38QRR048---5	CNPV*6024A**	58CV(A,X)155-22	48,000	12.5	15.0	46,500	3.80	8.0	27,400	2.50
4149643	38QRR048---5	CNPV*6024A**	58HDV100--20	48,000	11.5	14.0	46,500	3.76	8.0	27,800	2.46
3836148	38QRR048---5	CNPV*6024A**	58HDV100--20 (DWNFLW ONLY)	48,000	11.5	14.0	46,500	3.76	8.0	27,800	2.46
3116607	38QRR048---5	CNPV*6024A**	58ME(B,C)120-20	48,000	12.0	14.5	46,500	3.82	8.0	27,600	2.50
1395213	38QRR048---5	CNPV*6024A**	58MV(B,C)080-20	48,000	12.0	14.0	46,500	3.68	8.0	27,600	2.42
1396950	38QRR048---5	CNPV*6024A**	58MV(B,C)100-20	48,000	12.0	14.5	46,500	3.70	8.0	27,600	2.44
1398571	38QRR048---5	CNPV*6024A**	58MV(B,C)120-20	48,000	12.0	14.5	46,500	3.70	8.0	27,600	2.44
3015743	38QRR048---5	CNPV*6024A**	58PH*135-20	48,000	12.0	14.5	46,500	3.78	8.0	27,600	2.48
3758681	38QRR048---5	CNPV*6024A**	58UVB080-20	48,000	12.0	14.0	46,500	3.68	8.0	27,600	2.42
3758697	38QRR048---5	CNPV*6024A**	58UVB100-20	48,000	12.0	14.5	46,500	3.70	8.0	27,600	2.44
3758706	38QRR048---5	CNPV*6024A**	58UVB120-20	48,000	12.0	14.5	46,500	3.70	8.0	27,600	2.44
1150566	38QRR048---5	CNPV*6024A**+TDR		48,500	11.5	13.5	47,500	3.74	8.0	28,600	2.42
3836151	38QRR048---5	CNPV*6124A**	58CV(A,X)135-22	48,000	12.0	14.5	46,500	3.88	8.2	27,400	2.52
3836152	38QRR048---5	CNPV*6124A**	58CV(A,X)155-22	48,000	12.0	14.5	46,500	3.90	8.2	27,400	2.54
4149644	38QRR048---5	CNPV*6124A**	58HDV100--20	48,000	12.0	14.5	46,500	3.84	8.2	28,000	2.48
3836155	38QRR048---5	CNPV*6124A**	58HDV100--20 (DWNFLW ONLY)	48,000	12.0	14.5	46,500	3.84	8.2	28,000	2.48
3836154	38QRR048---5	CNPV*6124A**	58ME(B,C)120-20	48,000	12.0	14.5	46,500	3.94	8.2	27,600	2.54
3836150	38QRR048---5	CNPV*6124A**	58MV(B,C)120-20	48,000	12.0	14.5	46,500	3.82	8.2	27,600	2.50
3836153	38QRR048---5	CNPV*6124A**	58PH*135-20	48,000	12.0	14.5	46,500	3.90	8.2	27,800	2.52
3836149	38QRR048---5	CNPV*6124A**+TDR		48,000	11.0	13.0	46,500	3.82	8.2	28,800	2.44
1150616	38QRR048---5	CSPH*4812A**	58CV(A,X)090-16	47,500	12.0	14.0	46,500	3.66	8.0	27,600	2.42
1150618	38QRR048---5	CSPH*4812A**	58CV(A,X)110-20	47,500	12.0	14.0	46,500	3.68	8.0	27,600	2.42
1150620	38QRR048---5	CSPH*4812A**	58CV(A,X)135-22	47,500	12.0	14.5	46,500	3.72	8.0	27,600	2.46

See notes on page 40

# COMBINATION RATINGS CONTINUED

AHRI Ref. No.	Model Number	Coil Model Number	Furnace Model Number	Cooling Capacity	EER	SEER	High Temp		HSPF	Low Temp	
							E Capacity	E COP		H Capacity	H COP
1150622	38QRR048---5	CSPH*4812A**	58CV(A,X)155-22	47,500	12.0	14.5	46,500	3.76	8.0	27,400	2.48
3836183	38QRR048---5	CSPH*4812A**	58HDV080--20	47,000	11.5	14.0	46,500	3.72	7.8	28,000	2.42
3836184	38QRR048---5	CSPH*4812A**	58HDV100--20	47,000	11.5	14.0	46,500	3.72	7.8	27,800	2.42
3116614	38QRR048---5	CSPH*4812A**	58ME(B,C)080-16	47,000	11.0	13.5	46,000	3.68	8.0	28,000	2.42
3116615	38QRR048---5	CSPH*4812A**	58ME(B,C)100-20	47,000	12.0	14.5	46,000	3.72	8.0	27,600	2.46
3116616	38QRR048---5	CSPH*4812A**	58ME(B,C)120-20	47,000	12.0	14.5	46,000	3.76	8.0	27,600	2.46
1395203	38QRR048---5	CSPH*4812A**	58MV(B,C)080-20	47,000	11.5	14.0	46,500	3.64	7.9	27,800	2.40
1396940	38QRR048---5	CSPH*4812A**	58MV(B,C)100-20	47,500	12.0	14.0	46,500	3.66	7.9	27,800	2.42
1398577	38QRR048---5	CSPH*4812A**	58MV(B,C)120-20	47,500	12.0	14.0	46,500	3.66	7.9	27,600	2.42
3836186	38QRR048---5	CSPH*4812A**	58VLR120-20	47,000	11.5	14.0	46,500	3.74	8.0	27,400	2.44
3836185	38QRR048---5	CSPH*4812A**	58VLR120-20	47,000	11.5	14.0	46,500	3.70	7.8	27,600	2.42
1150608	38QRR048---5	CSPH*4812A**+TDR		48,000	11.5	13.5	47,000	3.72	8.0	28,600	2.42
1150632	38QRR048---5	CSPH*6012A**	58CV(A,X)090-16	48,000	12.0	14.5	46,500	3.74	8.0	27,600	2.46
1150634	38QRR048---5	CSPH*6012A**	58CV(A,X)110-20	48,500	12.0	14.5	46,500	3.78	8.0	27,600	2.48
1150636	38QRR048---5	CSPH*6012A**	58CV(A,X)135-22	48,500	12.5	15.0	46,500	3.80	8.0	27,400	2.50
1150638	38QRR048---5	CSPH*6012A**	58CV(A,X)155-22	48,500	12.5	15.0	46,500	3.84	8.0	27,400	2.52
3836187	38QRR048---5	CSPH*6012A**	58HDV080--20	48,000	11.5	14.0	46,500	3.80	8.2	28,200	2.46
3836188	38QRR048---5	CSPH*6012A**	58HDV100--20	48,000	12.0	14.5	46,500	3.80	8.2	27,800	2.46
3116617	38QRR048---5	CSPH*6012A**	58ME(B,C)080-16	48,000	11.5	14.0	46,500	3.78	8.0	28,000	2.46
3116618	38QRR048---5	CSPH*6012A**	58ME(B,C)100-20	48,000	12.0	14.5	46,500	3.84	8.0	27,800	2.50
3116619	38QRR048---5	CSPH*6012A**	58ME(B,C)120-20	48,000	12.0	14.5	46,500	3.88	8.0	27,800	2.52
1395205	38QRR048---5	CSPH*6012A**	58MV(B,C)080-20	48,000	12.0	14.5	46,500	3.72	8.0	27,800	2.44
1396942	38QRR048---5	CSPH*6012A**	58MV(B,C)100-20	48,000	12.0	14.5	46,500	3.74	8.0	27,600	2.46
1398579	38QRR048---5	CSPH*6012A**	58MV(B,C)120-20	48,000	12.0	14.5	46,500	3.74	8.0	27,600	2.46
3836190	38QRR048---5	CSPH*6012A**	58VLR120-20	48,000	12.0	14.5	46,500	3.78	8.2	27,400	2.48
3836189	38QRR048---5	CSPH*6012A**	58VLR120-20	48,000	12.0	14.5	46,500	3.76	8.0	27,600	2.46
1150624	38QRR048---5	CSPH*6012A**+TDR		49,000	11.5	13.5	47,500	3.78	8.0	28,600	2.44
3836191	38QRR048---5	FB4CNF048+TXV		47,000	11.5	14.0	46,500	3.72	7.8	28,000	2.42
3890032	38QRR048---5	FB4CNF060		48,000	12.0	14.5	47,000	3.82	8.2	28,000	2.48
1150676	38QRR048---5	FE4AN(B,F)005+UI		48,000	12.5	15.0	46,000	3.78	8.0	27,400	2.50
1150678	38QRR048---5	FE4ANB006+UI		49,000	12.5	15.0	46,000	3.92	8.0	27,400	2.56
3405894	38QRR048---5	FV4CN(B,F)005		48,000	12.5	15.0	46,000	3.78	8.0	27,400	2.50
3405895	38QRR048---5	FV4CNB006		49,000	12.0	15.0	46,000	3.92	8.0	27,400	2.56
3836195	38QRR048---5	FX4DN(B,F)049		48,500	12.0	14.5	46,500	3.88	8.2	27,800	2.52
3836196	38QRR048---5	FX4DN(B,F)061		49,000	12.0	14.5	47,000	3.98	8.2	28,000	2.56
3836194	38QRR048---5	FY5BNB060		48,000	11.0	13.5	48,000	3.74	8.0	28,800	2.40
3836382	38QRR048---6	†FY5BNF048+TXV		48,000	11.0	13.0	47,000	3.78	7.8	28,200	2.46
1150940	38QRR048---6	CAP**4817A**	58CV(A,X)090-16	47,000	11.5	14.0	46,500	3.68	8.0	27,800	2.42
3116669	38QRR048---6	CAP**4817A**	58ME(B,C)080-16	47,000	11.0	13.5	46,000	3.68	8.0	28,000	2.42
3015753	38QRR048---6	CAP**4817A**	58PH*070-16	47,000	11.5	13.5	46,000	3.52	7.7	27,600	2.34
1150938	38QRR048---6	CAP**4817A**+TDR		47,000	11.5	13.5	47,000	3.64	7.9	28,000	2.38
1151064	38QRR048---6	CAP**4821A**	58CV(A,X)090-16	47,000	11.5	14.0	46,500	3.64	7.9	27,600	2.40
1150948	38QRR048---6	CAP**4821A**	58CV(A,X)110-20	47,000	12.0	14.0	46,500	3.66	7.9	27,600	2.42
3116670	38QRR048---6	CAP**4821A**	58ME(B,C)100-20	47,000	11.5	14.0	46,000	3.70	8.0	27,600	2.44
1395233	38QRR048---6	CAP**4821A**	58MV(B,C)080-20	47,000	11.5	14.0	46,500	3.60	7.8	27,600	2.38
1396970	38QRR048---6	CAP**4821A**	58MV(B,C)100-20	47,000	11.5	14.0	46,500	3.62	7.9	27,600	2.40
3015754	38QRR048---6	CAP**4821A**	58PH*090-16	47,000	11.5	14.0	46,000	3.68	7.8	27,600	2.42
3015755	38QRR048---6	CAP**4821A**	58PH*110-20	47,000	11.5	14.0	46,000	3.70	7.8	27,400	2.44
3757353	38QRR048---6	CAP**4821A**	58UVB080-20	47,000	11.5	14.0	46,500	3.60	7.8	27,600	2.38
3757375	38QRR048---6	CAP**4821A**	58UVB100-20	47,000	11.5	14.0	46,500	3.62	7.9	27,600	2.40
3836320	38QRR048---6	CAP**4821A**	58VLR120-20	47,000	11.5	14.0	46,000	3.68	7.8	27,200	2.42
3836319	38QRR048---6	CAP**4821A**	58VLR120-20	47,000	11.5	14.0	46,000	3.66	7.8	27,400	2.40
1150942	38QRR048---6	CAP**4821A**+TDR		47,500	11.5	13.5	47,000	3.68	8.0	28,400	2.40
3836326	38QRR048---6	CAP**4823A**	58HDV080--20	47,000	11.0	13.5	47,000	3.68	7.8	28,000	2.40
3836325	38QRR048---6	CAP**4823A**+TDR		47,000	11.0	13.0	47,000	3.70	7.8	28,400	2.40
1151070	38QRR048---6	CAP**4824A**	58CV(A,X)110-20	47,000	12.0	14.0	46,500	3.66	8.0	27,400	2.42
1150954	38QRR048---6	CAP**4824A**	58CV(A,X)135-22	47,000	12.0	14.5	46,000	3.70	8.0	27,400	2.44
1150956	38QRR048---6	CAP**4824A**	58CV(A,X)155-22	47,000	12.0	14.5	46,000	3.72	8.0	27,400	2.46
3836321	38QRR048---6	CAP**4824A**	58HDV100--20	47,000	11.5	14.0	46,000	3.70	7.8	27,600	2.42
3116671	38QRR048---6	CAP**4824A**	58ME(B,C)120-20	47,000	11.5	14.0	46,000	3.74	8.0	27,600	2.46
1395247	38QRR048---6	CAP**4824A**	58MV(B,C)080-20	47,000	11.5	14.0	46,500	3.60	7.9	27,600	2.40
1396984	38QRR048---6	CAP**4824A**	58MV(B,C)100-20	47,000	11.5	14.0	46,500	3.62	7.9	27,600	2.40
1398591	38QRR048---6	CAP**4824A**	58MV(B,C)120-20	47,000	11.5	14.0	46,500	3.62	7.9	27,400	2.40
3015756	38QRR048---6	CAP**4824A**	58PH*135-20	47,000	11.5	14.0	46,000	3.70	7.8	27,600	2.44
3757355	38QRR048---6	CAP**4824A**	58UVB080-20	47,000	11.5	14.0	46,500	3.60	7.9	27,600	2.40
3757377	38QRR048---6	CAP**4824A**	58UVB100-20	47,000	11.5	14.0	46,500	3.62	7.9	27,600	2.40
3757386	38QRR048---6	CAP**4824A**	58UVB120-20	47,000	11.5	14.0	46,500	3.62	7.9	27,400	2.40
1150950	38QRR048---6	CAP**4824A**+TDR		47,500	11.5	13.5	47,000	3.68	8.0	28,400	2.40
1151072	38QRR048---6	CAP**6021A**	58CV(A,X)090-16	48,000	12.0	14.5	46,500	3.72	8.0	27,600	2.46
1150964	38QRR048---6	CAP**6021A**	58CV(A,X)110-20	48,000	12.0	14.5	46,500	3.76	8.0	27,600	2.48
3116672	38QRR048---6	CAP**6021A**	58ME(B,C)100-20	48,000	12.0	14.5	46,500	3.82	8.0	27,800	2.50
1395235	38QRR048---6	CAP**6021A**	58MV(B,C)080-20	48,000	12.0	14.5	46,500	3.70	8.0	27,600	2.44
1396972	38QRR048---6	CAP**6021A**	58MV(B,C)100-20	48,000	12.0	14.5	46,500	3.72	8.0	27,600	2.44
3015757	38QRR048---6	CAP**6021A**	58PH*090-16	48,000	12.0	14.5	46,500	3.78	8.0	27,800	2.48
3015758	38QRR048---6	CAP**6021A**	58PH*110-20	48,000	12.0	14.5	46,500	3.82	8.0	27,600	2.50
3757354	38QRR048---6	CAP**6021A**	58UVB080-20	48,000	12.0	14.5	46,500	3.70	8.0	27,600	2.44
3757376	38QRR048---6	CAP**6021A**	58UVB100-20	48,000	12.0	14.5	46,500	3.72	8.0	27,600	2.44
3836323	38QRR048---6	CAP**6021A**	58VLR120-20	48,000	11.5	14.0	46,500	3.76	8.0	27,400	2.46

38QRR

See notes on page 40

# COMBINATION RATINGS CONTINUED

AHR Ref. No.	Model Number	Coil Model Number	Furnace Model Number	Cooling Capacity	EER	SEER	High Temp		HSPF	Low Temp	
							E Capacity	E COP		H Capacity	H COP
3836322	38QRR048---6	CAP**6021A**	58VMR120-20	48,000	11.5	14.0	46,500	3.72	7.8	27,600	2.44
1150958	38QRR048---6	CAP**6021A**+TDR		48,500	11.5	13.5	46,000	3.76	8.0	28,600	2.42
1151078	38QRR048---6	CAP**6024A**	58CV(A,X)110-20	48,000	12.0	14.5	46,500	3.74	8.0	27,600	2.46
1150970	38QRR048---6	CAP**6024A**	58CV(A,X)135-22	48,000	12.0	14.5	46,500	3.76	8.0	27,400	2.48
1150972	38QRR048---6	CAP**6024A**	58CV(A,X)155-22	48,500	12.5	15.0	46,500	3.80	8.0	27,400	2.50
3836324	38QRR048---6	CAP**6024A**	58HDV100--20	48,000	11.5	14.0	46,500	3.76	8.0	27,800	2.46
3116673	38QRR048---6	CAP**6024A**	58ME(B,C)120-20	48,000	12.0	14.5	46,500	3.82	8.0	27,600	2.50
1395249	38QRR048---6	CAP**6024A**	58MV(B,C)080-20	48,000	12.0	14.0	46,500	3.68	8.0	27,800	2.42
1396986	38QRR048---6	CAP**6024A**	58MV(B,C)100-20	48,000	12.0	14.5	46,500	3.70	8.0	27,600	2.44
1398593	38QRR048---6	CAP**6024A**	58MV(B,C)120-20	48,000	12.0	14.5	46,500	3.70	8.0	27,600	2.44
3015759	38QRR048---6	CAP**6024A**	58PH*135-20	48,000	12.0	14.5	46,500	3.78	8.0	27,600	2.48
3757356	38QRR048---6	CAP**6024A**	58UVB080-20	48,000	12.0	14.0	46,500	3.68	8.0	27,800	2.42
3757378	38QRR048---6	CAP**6024A**	58UVB100-20	48,000	12.0	14.5	46,500	3.70	8.0	27,600	2.44
3757387	38QRR048---6	CAP**6024A**	58UVB120-20	48,000	12.0	14.5	46,500	3.70	8.0	27,600	2.44
1150966	38QRR048---6	CAP**6024A**+TDR		48,500	11.5	13.5	47,500	3.76	8.0	28,600	2.42
3836329	38QRR048---6	CAP**6025A**	58CV(A,X)135-22	48,000	12.0	14.5	46,500	3.78	8.2	27,400	2.48
3836330	38QRR048---6	CAP**6025A**	58CV(A,X)155-22	48,000	12.0	14.5	46,500	3.82	8.2	27,400	2.50
3836333	38QRR048---6	CAP**6025A**	58HDV100--20	48,000	11.5	14.0	46,500	3.76	8.0	27,800	2.46
3836332	38QRR048---6	CAP**6025A**	58ME(B,C)120-20	48,000	12.0	14.5	46,500	3.84	8.2	27,600	2.50
3836328	38QRR048---6	CAP**6025A**	58MV(B,C)120-20	48,000	12.0	14.5	46,500	3.74	8.0	27,600	2.46
3836331	38QRR048---6	CAP**6025A**	58PH*135-20	48,000	12.0	14.5	46,500	3.78	8.2	27,600	2.48
3836327	38QRR048---6	CAP**6025A**+TDR		48,000	11.0	13.0	46,500	3.74	8.0	28,600	2.42
1151006	38QRR048---6	CNPH*4821A**	58CV(A,X)090-16	47,000	12.0	14.0	46,500	3.64	7.9	27,400	2.42
1151008	38QRR048---6	CNPH*4821A**	58CV(A,X)110-20	47,000	12.0	14.0	46,500	3.66	8.0	27,400	2.42
1151010	38QRR048---6	CNPH*4821A**	58CV(A,X)135-22	47,000	12.0	14.5	46,000	3.70	8.0	27,400	2.44
1151012	38QRR048---6	CNPH*4821A**	58CV(A,X)155-22	47,500	12.0	14.5	46,000	3.72	8.0	27,400	2.46
3836345	38QRR048---6	CNPH*4821A**	58HDV080--20	47,000	11.0	13.5	46,500	3.72	7.8	28,000	2.42
3836346	38QRR048---6	CNPH*4821A**	58HDV100--20	47,000	11.5	14.0	46,500	3.72	7.8	27,600	2.42
3116677	38QRR048---6	CNPH*4821A**	58ME(B,C)080-16	47,000	11.0	13.5	46,000	3.66	8.0	27,800	2.40
3116678	38QRR048---6	CNPH*4821A**	58ME(B,C)100-20	47,000	12.0	14.5	46,000	3.72	8.0	27,600	2.44
3116679	38QRR048---6	CNPH*4821A**	58ME(B,C)120-20	47,000	12.0	14.5	46,000	3.74	8.0	27,600	2.46
1395239	38QRR048---6	CNPH*4821A**	58MV(B,C)080-20	47,000	11.5	14.0	46,500	3.62	7.9	27,600	2.40
1396976	38QRR048---6	CNPH*4821A**	58MV(B,C)100-20	47,000	12.0	14.0	46,500	3.64	7.9	27,600	2.40
1398599	38QRR048---6	CNPH*4821A**	58MV(B,C)120-20	47,000	12.0	14.0	46,500	3.62	7.9	27,400	2.40
3015764	38QRR048---6	CNPH*4821A**	58PH*070-16	47,000	11.5	13.5	46,000	3.50	7.7	27,400	2.34
3015765	38QRR048---6	CNPH*4821A**	58PH*090-16	47,000	11.5	14.0	46,000	3.68	7.8	27,600	2.42
3015766	38QRR048---6	CNPH*4821A**	58PH*110-20	47,000	11.5	14.0	46,000	3.72	7.8	27,400	2.46
3015767	38QRR048---6	CNPH*4821A**	58PH*135-20	47,000	11.5	14.0	46,000	3.70	7.8	27,600	2.44
3836348	38QRR048---6	CNPH*4821A**	58VLR120-20	47,000	11.5	14.0	46,500	3.72	7.8	27,200	2.44
3836347	38QRR048---6	CNPH*4821A**	58VLR120-20	47,000	11.5	14.0	46,500	3.68	7.8	27,400	2.42
1150998	38QRR048---6	CNPH*4821A**+TDR		47,500	11.5	13.5	47,000	3.68	8.0	28,400	2.40
1151022	38QRR048---6	CNPH*6024A**	58CV(A,X)090-16	48,000	12.0	14.5	46,500	3.72	8.0	27,600	2.44
1151024	38QRR048---6	CNPH*6024A**	58CV(A,X)110-20	48,000	12.0	14.5	46,500	3.74	8.0	27,600	2.46
1151026	38QRR048---6	CNPH*6024A**	58CV(A,X)135-22	48,000	12.5	15.0	46,500	3.76	8.0	27,400	2.48
1151028	38QRR048---6	CNPH*6024A**	58CV(A,X)155-22	48,000	12.5	15.0	46,500	3.80	8.0	27,400	2.50
3836349	38QRR048---6	CNPH*6024A**	58HDV080--20	48,000	11.5	14.0	46,500	3.76	8.0	28,200	2.46
3836350	38QRR048---6	CNPH*6024A**	58HDV100--20	48,000	11.5	14.0	46,500	3.76	8.0	27,800	2.46
3116680	38QRR048---6	CNPH*6024A**	58ME(B,C)080-16	48,000	11.0	13.5	46,500	3.72	8.0	28,000	2.44
3116681	38QRR048---6	CNPH*6024A**	58ME(B,C)100-20	48,000	12.0	14.5	46,500	3.80	8.0	27,600	2.48
3116682	38QRR048---6	CNPH*6024A**	58ME(B,C)120-20	48,000	12.0	14.5	46,500	3.82	8.0	27,600	2.50
1395241	38QRR048---6	CNPH*6024A**	58MV(B,C)080-20	48,000	12.0	14.0	46,500	3.68	8.0	27,600	2.42
1396978	38QRR048---6	CNPH*6024A**	58MV(B,C)100-20	48,000	12.0	14.5	46,500	3.70	8.0	27,600	2.44
1398601	38QRR048---6	CNPH*6024A**	58MV(B,C)120-20	48,000	12.0	14.5	46,500	3.70	8.0	27,600	2.44
3015768	38QRR048---6	CNPH*6024A**	58PH*070-16	47,500	11.5	14.0	46,500	3.56	7.8	27,600	2.38
3015769	38QRR048---6	CNPH*6024A**	58PH*090-16	48,000	12.0	14.5	46,500	3.76	8.0	27,800	2.46
3015770	38QRR048---6	CNPH*6024A**	58PH*110-20	48,000	12.0	14.5	46,500	3.80	8.0	27,600	2.50
3015771	38QRR048---6	CNPH*6024A**	58PH*135-20	48,000	12.0	14.5	46,500	3.78	8.0	27,600	2.48
3836352	38QRR048---6	CNPH*6024A**	58VLR120-20	48,000	12.0	14.5	46,500	3.76	8.0	27,400	2.48
3836351	38QRR048---6	CNPH*6024A**	58VLR120-20	48,000	12.0	14.5	46,500	3.72	8.0	27,600	2.46
1151014	38QRR048---6	CNPH*6024A**+TDR		48,500	11.5	13.5	47,500	3.74	8.0	28,600	2.42
3836357	38QRR048---6	CNPH*6124A**	58CV(A,X)090-16	48,000	12.0	14.5	46,500	3.76	8.0	27,600	2.46
3836358	38QRR048---6	CNPH*6124A**	58CV(A,X)110-20	48,000	12.0	14.5	46,500	3.78	8.0	27,600	2.46
3836359	38QRR048---6	CNPH*6124A**	58CV(A,X)135-22	48,000	12.0	14.5	46,500	3.82	8.2	27,400	2.50
3836360	38QRR048---6	CNPH*6124A**	58CV(A,X)155-22	48,000	12.0	14.5	46,500	3.84	8.2	27,400	2.52
3836368	38QRR048---6	CNPH*6124A**	58HDV080--20	48,000	11.5	14.0	47,000	3.78	8.2	28,200	2.46
3836369	38QRR048---6	CNPH*6124A**	58HDV100--20	48,000	11.5	14.0	47,000	3.78	8.0	27,800	2.46
3836365	38QRR048---6	CNPH*6124A**	58ME(B,C)080-16	48,000	11.5	14.0	47,000	3.78	8.2	28,000	2.46
3836366	38QRR048---6	CNPH*6124A**	58ME(B,C)100-20	48,000	12.0	14.5	47,000	3.84	8.2	27,600	2.50
3836367	38QRR048---6	CNPH*6124A**	58ME(B,C)120-20	48,000	12.0	14.5	47,000	3.86	8.2	27,600	2.52
3836354	38QRR048---6	CNPH*6124A**	58MV(B,C)080-20	48,000	11.5	14.0	46,500	3.70	8.0	27,600	2.44
3836355	38QRR048---6	CNPH*6124A**	58MV(B,C)100-20	48,000	11.5	14.0	46,500	3.74	8.0	27,800	2.44
3836356	38QRR048---6	CNPH*6124A**	58MV(B,C)120-20	48,000	12.0	14.5	46,500	3.76	8.0	27,600	2.46
3836361	38QRR048---6	CNPH*6124A**	58PH*070-16	48,000	11.0	13.5	46,500	3.64	7.8	28,400	2.36
3836362	38QRR048---6	CNPH*6124A**	58PH*090-16	48,000	12.0	14.5	46,500	3.80	8.2	27,800	2.48
3836363	38QRR048---6	CNPH*6124A**	58PH*110-20	48,000	12.0	14.5	46,500	3.84	8.2	27,400	2.50
3836364	38QRR048---6	CNPH*6124A**	58PH*135-20	48,000	12.0	14.5	46,500	3.82	8.2	27,600	2.48
3836371	38QRR048---6	CNPH*6124A**	58VLR120-20	48,000	12.0	14.5	46,500	3.78	8.0	27,400	2.48
3836370	38QRR048---6	CNPH*6124A**	58VLR120-20	48,000	11.5	14.0	47,000	3.76	8.0	27,600	2.46
3836353	38QRR048---6	CNPH*6124A**+TDR		48,000	11.0	13.0	46,500	3.78	8.0	28,600	2.44

See notes on page 40

# COMBINATION RATINGS CONTINUED

AHRI Ref. No.	Model Number	Coil Model Number	Furnace Model Number	Cooling Capacity	EER	SEER	High Temp		HSPF	Low Temp	
							E Capacity	E COP		H Capacity	H COP
1151080	38QRR048---6	CNPV*4821A**	58CV(A,X)090-16	47,000	12.0	14.0	46,500	3.64	7.9	27,400	2.42
1150980	38QRR048---6	CNPV*4821A**	58CV(A,X)110-20	47,000	12.0	14.0	46,500	3.66	8.0	27,400	2.42
3116674	38QRR048---6	CNPV*4821A**	58ME(B,C)100-20	47,000	12.0	14.5	46,000	3.72	8.0	27,600	2.44
1395237	38QRR048---6	CNPV*4821A**	58MV(B,C)080-20	47,000	11.5	14.0	46,500	3.62	7.9	27,600	2.40
1396974	38QRR048---6	CNPV*4821A**	58MV(B,C)100-20	47,000	12.0	14.0	46,500	3.64	7.9	27,600	2.40
3015760	38QRR048---6	CNPV*4821A**	58PH*090-16	47,000	11.5	14.0	46,000	3.68	7.8	27,600	2.42
3015761	38QRR048---6	CNPV*4821A**	58PH*110-20	47,000	11.5	14.0	46,000	3.72	7.8	27,400	2.46
3758684	38QRR048---6	CNPV*4821A**	58UVB080-20	47,000	11.5	14.0	46,500	3.62	7.9	27,600	2.40
3758700	38QRR048---6	CNPV*4821A**	58UVB100-20	47,000	12.0	14.0	46,500	3.64	7.9	27,600	2.40
3836335	38QRR048---6	CNPV*4821A**	58VLR120-20	47,000	11.5	14.0	46,500	3.72	7.8	27,200	2.44
3836334	38QRR048---6	CNPV*4821A**	58VMR120-20	47,000	11.5	14.0	46,500	3.68	7.8	27,400	2.42
1150974	38QRR048---6	CNPV*4821A**+TDR		48,000	11.5	13.5	47,000	3.68	8.0	28,400	2.40
1151086	38QRR048---6	CNPV*4824A**	58CV(A,X)110-20	47,000	12.0	14.0	46,500	3.66	8.0	27,400	2.42
1150986	38QRR048---6	CNPV*4824A**	58CV(A,X)135-22	47,000	12.0	14.5	46,000	3.70	8.0	27,400	2.44
1150988	38QRR048---6	CNPV*4824A**	58CV(A,X)155-22	47,500	12.0	14.5	46,000	3.72	8.0	27,400	2.46
3836336	38QRR048---6	CNPV*4824A**	58HVD100--20 (DWNFLW ONLY)	47,000	11.5	14.0	46,500	3.72	7.8	27,600	2.42
3116675	38QRR048---6	CNPV*4824A**	58ME(B,C)120-20	47,000	12.0	14.5	46,000	3.74	8.0	27,600	2.46
1395251	38QRR048---6	CNPV*4824A**	58MV(B,C)080-20	47,000	11.5	14.0	46,500	3.62	7.9	27,600	2.40
1396988	38QRR048---6	CNPV*4824A**	58MV(B,C)100-20	47,000	12.0	14.0	46,500	3.64	7.9	27,600	2.40
1398595	38QRR048---6	CNPV*4824A**	58MV(B,C)120-20	47,000	12.0	14.0	46,500	3.62	7.9	27,400	2.40
3015762	38QRR048---6	CNPV*4824A**	58PH*135-20	47,000	11.5	14.0	46,000	3.70	7.8	27,600	2.44
3758685	38QRR048---6	CNPV*4824A**	58UVB080-20	47,000	11.5	14.0	46,500	3.62	7.9	27,600	2.40
3758701	38QRR048---6	CNPV*4824A**	58UVB100-20	47,000	12.0	14.0	46,500	3.64	7.9	27,600	2.40
3758707	38QRR048---6	CNPV*4824A**	58UVB120-20	47,000	12.0	14.0	46,500	3.62	7.9	27,400	2.40
1150982	38QRR048---6	CNPV*4824A**+TDR		47,500	11.5	13.5	47,000	3.68	8.0	28,400	2.40
1151092	38QRR048---6	CNPV*6024A**	58CV(A,X)110-20	48,000	12.0	14.5	46,500	3.74	8.0	27,600	2.46
1150994	38QRR048---6	CNPV*6024A**	58CV(A,X)135-22	48,000	12.5	15.0	46,500	3.76	8.0	27,400	2.48
1150996	38QRR048---6	CNPV*6024A**	58CV(A,X)155-22	48,000	12.5	15.0	46,500	3.80	8.0	27,400	2.50
3836337	38QRR048---6	CNPV*6024A**	58HVD100--20 (DWNFLW ONLY)	48,000	11.5	14.0	46,500	3.76	8.0	27,800	2.46
3116676	38QRR048---6	CNPV*6024A**	58ME(B,C)120-20	48,000	12.0	14.5	46,500	3.82	8.0	27,600	2.50
1395253	38QRR048---6	CNPV*6024A**	58MV(B,C)080-20	48,000	12.0	14.0	46,500	3.68	8.0	27,600	2.42
1396990	38QRR048---6	CNPV*6024A**	58MV(B,C)100-20	48,000	12.0	14.5	46,500	3.70	8.0	27,600	2.44
1398597	38QRR048---6	CNPV*6024A**	58MV(B,C)120-20	48,000	12.0	14.5	46,500	3.70	8.0	27,600	2.44
3015763	38QRR048---6	CNPV*6024A**	58PH*135-20	48,000	12.0	14.5	46,500	3.78	8.0	27,600	2.48
3758686	38QRR048---6	CNPV*6024A**	58UVB080-20	48,000	12.0	14.0	46,500	3.68	8.0	27,600	2.42
3758702	38QRR048---6	CNPV*6024A**	58UVB100-20	48,000	12.0	14.5	46,500	3.70	8.0	27,600	2.44
3758708	38QRR048---6	CNPV*6024A**	58UVB120-20	48,000	12.0	14.5	46,500	3.70	8.0	27,600	2.44
1150990	38QRR048---6	CNPV*6024A**+TDR		48,500	11.5	13.5	47,500	3.74	8.0	28,600	2.42
3836340	38QRR048---6	CNPV*6124A**	58CV(A,X)135-22	48,000	12.0	14.5	46,500	3.88	8.2	27,400	2.52
3836341	38QRR048---6	CNPV*6124A**	58CV(A,X)155-22	48,000	12.0	14.5	46,500	3.90	8.2	27,400	2.54
3836344	38QRR048---6	CNPV*6124A**	58HVD100--20 (DWNFLW ONLY)	48,000	12.0	14.5	46,500	3.84	8.2	28,000	2.48
3836343	38QRR048---6	CNPV*6124A**	58ME(B,C)120-20	48,000	12.0	14.5	46,500	3.94	8.2	27,600	2.54
3836339	38QRR048---6	CNPV*6124A**	58MV(B,C)120-20	48,000	12.0	14.5	46,500	3.82	8.2	27,600	2.50
3836342	38QRR048---6	CNPV*6124A**	58PH*135-20	48,000	12.0	14.5	46,500	3.90	8.2	27,800	2.52
3836338	38QRR048---6	CNPV*6124A**+TDR		48,000	11.0	13.0	46,500	3.82	8.2	28,800	2.44
1151040	38QRR048---6	CSPH*4812A**	58CV(A,X)090-16	47,500	12.0	14.0	46,500	3.66	8.0	27,600	2.42
1151042	38QRR048---6	CSPH*4812A**	58CV(A,X)110-20	47,500	12.0	14.0	46,500	3.68	8.0	27,600	2.42
1151044	38QRR048---6	CSPH*4812A**	58CV(A,X)135-22	47,500	12.0	14.5	46,500	3.72	8.0	27,600	2.46
1151046	38QRR048---6	CSPH*4812A**	58CV(A,X)155-22	47,500	12.0	14.5	46,500	3.76	8.0	27,400	2.48
3836372	38QRR048---6	CSPH*4812A**	58HVD080--20	47,000	11.5	14.0	46,500	3.72	7.8	28,000	2.42
3836373	38QRR048---6	CSPH*4812A**	58HVD100--20	47,000	11.5	14.0	46,500	3.72	7.8	27,800	2.42
3116683	38QRR048---6	CSPH*4812A**	58ME(B,C)080-16	47,000	11.0	13.5	46,000	3.68	8.0	28,000	2.42
3116684	38QRR048---6	CSPH*4812A**	58ME(B,C)100-20	47,000	12.0	14.5	46,000	3.72	8.0	27,600	2.46
3116685	38QRR048---6	CSPH*4812A**	58ME(B,C)120-20	47,000	12.0	14.5	46,000	3.76	8.0	27,600	2.46
1395243	38QRR048---6	CSPH*4812A**	58MV(B,C)080-20	47,000	11.5	14.0	46,500	3.64	7.9	27,800	2.40
1396980	38QRR048---6	CSPH*4812A**	58MV(B,C)100-20	47,500	12.0	14.0	46,500	3.66	7.9	27,800	2.42
1398603	38QRR048---6	CSPH*4812A**	58MV(B,C)120-20	47,500	12.0	14.0	46,500	3.66	7.9	27,600	2.42
3836375	38QRR048---6	CSPH*4812A**	58VLR120-20	47,000	11.5	14.0	46,500	3.74	8.0	27,400	2.44
3836374	38QRR048---6	CSPH*4812A**	58VMR120-20	47,000	11.5	14.0	46,500	3.70	7.8	27,600	2.42
1151032	38QRR048---6	CSPH*4812A**+TDR		48,000	11.5	13.5	47,000	3.72	8.0	28,600	2.42
1151056	38QRR048---6	CSPH*6012A**	58CV(A,X)090-16	48,000	12.0	14.5	46,500	3.74	8.0	27,600	2.46
1151058	38QRR048---6	CSPH*6012A**	58CV(A,X)110-20	48,500	12.0	14.5	46,500	3.78	8.0	27,600	2.48
1151060	38QRR048---6	CSPH*6012A**	58CV(A,X)135-22	48,500	12.5	15.0	46,500	3.80	8.0	27,400	2.50
1151062	38QRR048---6	CSPH*6012A**	58CV(A,X)155-22	48,500	12.5	15.0	46,500	3.84	8.0	27,400	2.52
3836376	38QRR048---6	CSPH*6012A**	58HVD080--20	48,000	11.5	14.0	46,500	3.80	8.2	28,200	2.46
3836377	38QRR048---6	CSPH*6012A**	58HVD100--20	48,000	12.0	14.5	46,500	3.80	8.2	27,800	2.46
3116686	38QRR048---6	CSPH*6012A**	58ME(B,C)080-16	48,000	11.5	14.0	46,500	3.78	8.0	28,000	2.46
3116687	38QRR048---6	CSPH*6012A**	58ME(B,C)100-20	48,000	12.0	14.5	46,500	3.84	8.0	27,800	2.50
3116688	38QRR048---6	CSPH*6012A**	58ME(B,C)120-20	48,000	12.0	14.5	46,500	3.88	8.0	27,800	2.52
1395245	38QRR048---6	CSPH*6012A**	58MV(B,C)080-20	48,000	12.0	14.5	46,500	3.72	8.0	27,800	2.44
1396982	38QRR048---6	CSPH*6012A**	58MV(B,C)100-20	48,000	12.0	14.5	46,500	3.74	8.0	27,600	2.46
1398605	38QRR048---6	CSPH*6012A**	58MV(B,C)120-20	48,000	12.0	14.5	46,500	3.74	8.0	27,600	2.46
3836379	38QRR048---6	CSPH*6012A**	58VLR120-20	48,000	12.0	14.5	46,500	3.78	8.2	27,400	2.48
3836378	38QRR048---6	CSPH*6012A**	58VMR120-20	48,000	12.0	14.5	46,500	3.76	8.0	27,600	2.46
1151048	38QRR048---6	CSPH*6012A**+TDR		49,000	11.5	13.5	47,500	3.78	8.0	28,600	2.44
3836380	38QRR048---6	FB4CNF048+TXV		47,000	11.5	14.0	46,500	3.72	7.8	28,000	2.42
3890033	38QRR048---6	FB4CNF060		48,000	12.0	14.5	47,000	3.82	8.2	28,000	2.48

38QRR

See notes on page 40

# COMBINATION RATINGS CONTINUED

AHR Ref. No.	Model Number	Coil Model Number	Furnace Model Number	Cooling Capacity	EER	SEER	High Temp		HSPF	Low Temp	
							E Capacity	E COP		H Capacity	H COP
1151100	38QRR048---6	FE4AN(B,F)005+UI		48,000	12.5	15.0	46,000	3.78	8.0	27,400	2.50
1151102	38QRR048---6	FE4ANB006+UI		49,000	12.5	15.0	46,000	3.92	8.0	27,400	2.56
3405896	38QRR048---6	FV4CN(B,F)005		48,000	12.5	15.0	46,000	3.78	8.0	27,400	2.50
3405897	38QRR048---6	FV4CNB006		49,000	12.0	15.0	46,000	3.92	8.0	27,400	2.56
3836384	38QRR048---6	FX4DN(B,F)049		48,500	12.0	14.5	46,500	3.88	8.2	27,800	2.52
3836385	38QRR048---6	FX4DN(B,F)061		49,000	12.0	14.5	47,000	3.98	8.2	28,000	2.56
3836383	38QRR048---6	FY5BNB060		48,000	11.0	13.5	48,000	3.74	8.0	28,800	2.40
4209514	38QRR060---3	†FY5BNB060		56,000	10.5	13.0	57,000	3.58	8.5	35,600	2.50
1147286	38QRR060---3	CAP**6021A**	58CV(A,X)110-20	55,500	11.0	13.0	55,500	3.58	8.4	34,000	2.54
3112769	38QRR060---3	CAP**6021A**	58ME(B,C)100-20	55,000	11.0	13.5	55,000	3.58	8.2	33,800	2.56
3015670	38QRR060---3	CAP**6021A**	58PH*090-16	55,000	11.0	13.5	55,500	3.56	8.2	34,000	2.54
3015671	38QRR060---3	CAP**6021A**	58PH*110-20	55,000	11.0	13.5	55,500	3.62	8.2	34,000	2.58
4209498	38QRR060---3	CAP**6021A**	58VLR120-20	55,000	11.0	13.0	56,000	3.58	8.2	34,200	2.52
1147284	38QRR060---3	CAP**6021A**+TDR		55,500	11.0	13.0	56,000	3.58	8.4	34,400	2.52
1147316	38QRR060---3	CAP**6024A**	58CV(A,X)110-20	55,000	11.0	13.0	56,000	3.56	8.4	34,200	2.54
1147290	38QRR060---3	CAP**6024A**	58CV(A,X)135-22	55,500	11.0	13.5	55,500	3.62	8.5	34,000	2.56
1147292	38QRR060---3	CAP**6024A**	58CV(A,X)155-22	55,500	11.5	13.5	55,500	3.64	8.5	33,800	2.58
4209499	38QRR060---3	CAP**6024A**	58HDV100--20	55,000	11.0	13.0	56,500	3.56	8.2	34,600	2.50
3112770	38QRR060---3	CAP**6024A**	58ME(B,C)120-20	55,000	11.0	13.5	55,000	3.60	8.2	33,800	2.56
3015672	38QRR060---3	CAP**6024A**	58PH*135-20	55,000	11.0	13.5	55,500	3.58	8.2	33,800	2.54
1147288	38QRR060---3	CAP**6024A**+TDR		56,000	11.0	13.0	56,000	3.64	8.5	35,000	2.56
3835359	38QRR060---3	CAP**6025A**	58CV(A,X)135-22	55,000	11.0	13.5	55,000	3.64	8.2	33,800	2.58
3835360	38QRR060---3	CAP**6025A**	58CV(A,X)155-22	55,000	11.0	13.5	55,000	3.66	8.2	33,600	2.60
4209501	38QRR060---3	CAP**6025A**	58HDV100--20	55,000	11.0	13.0	56,500	3.56	8.2	34,600	2.50
3835362	38QRR060---3	CAP**6025A**	58ME(B,C)120-20	55,000	11.0	13.5	55,000	3.62	8.2	33,400	2.58
3835361	38QRR060---3	CAP**6025A**	58PH*135-20	55,000	11.0	13.5	55,000	3.60	8.2	33,600	2.56
4209500	38QRR060---3	CAP**6025A**+TDR		56,000	11.0	13.0	57,000	3.66	8.2	35,000	2.56
1147302	38QRR060---3	CNPH*6024A**	58CV(A,X)110-20	55,000	11.0	13.5	55,500	3.56	8.4	34,000	2.54
1147304	38QRR060---3	CNPH*6024A**	58CV(A,X)135-22	55,000	11.5	13.5	55,500	3.60	8.5	33,800	2.56
1147306	38QRR060---3	CNPH*6024A**	58CV(A,X)155-22	55,500	11.5	13.5	55,500	3.64	8.5	33,800	2.58
4209505	38QRR060---3	CNPH*6024A**	58HDV100--20	55,000	11.0	13.0	56,000	3.54	8.2	34,400	2.50
3112772	38QRR060---3	CNPH*6024A**	58ME(B,C)080-16	54,500	11.0	13.0	55,000	3.48	8.2	34,000	2.50
3112773	38QRR060---3	CNPH*6024A**	58ME(B,C)100-20	55,000	11.0	13.5	55,000	3.56	8.2	33,800	2.54
3112774	38QRR060---3	CNPH*6024A**	58ME(B,C)120-20	55,000	11.0	13.5	55,000	3.60	8.2	33,600	2.56
3015674	38QRR060---3	CNPH*6024A**	58PH*090-16	55,000	11.0	13.5	55,500	3.54	8.2	33,800	2.52
3015675	38QRR060---3	CNPH*6024A**	58PH*110-20	55,000	11.0	13.5	55,500	3.60	8.2	33,800	2.56
3015676	38QRR060---3	CNPH*6024A**	58PH*135-20	55,000	11.0	13.5	55,500	3.56	8.2	33,800	2.54
4209506	38QRR060---3	CNPH*6024A**	58VLR120-20	55,000	11.0	13.0	55,500	3.58	8.2	34,000	2.54
1147300	38QRR060---3	CNPH*6024A**+TDR		56,000	11.0	13.0	56,000	3.62	8.5	34,800	2.54
3835368	38QRR060---3	CNPH*6124A**	58CV(A,X)135-22	55,500	11.0	13.5	55,500	3.66	8.2	33,800	2.58
3835369	38QRR060---3	CNPH*6124A**	58CV(A,X)155-22	55,500	11.0	13.5	55,500	3.70	8.2	33,800	2.60
4209508	38QRR060---3	CNPH*6124A**	58HDV100--20	55,500	11.0	13.0	56,000	3.58	8.2	34,600	2.52
3835372	38QRR060---3	CNPH*6124A**	58ME(B,C)100-20	55,500	11.0	13.5	55,500	3.62	8.2	33,600	2.56
3835373	38QRR060---3	CNPH*6124A**	58ME(B,C)120-20	55,500	11.0	13.5	55,500	3.66	8.2	33,600	2.58
3835370	38QRR060---3	CNPH*6124A**	58PH*110-20	55,500	11.0	13.5	55,500	3.66	8.2	33,800	2.58
3835371	38QRR060---3	CNPH*6124A**	58PH*135-20	55,500	11.0	13.5	55,500	3.62	8.2	33,800	2.56
4209509	38QRR060---3	CNPH*6124A**	58VLR120-20	55,500	11.0	13.0	55,500	3.62	8.2	34,200	2.54
4209507	38QRR060---3	CNPH*6124A**+TDR		55,500	11.0	13.0	56,000	3.62	8.5	34,400	2.54
1147318	38QRR060---3	CNPV*6024A**	58CV(A,X)110-20	55,000	11.0	13.5	55,500	3.56	8.4	34,000	2.54
1147296	38QRR060---3	CNPV*6024A**	58CV(A,X)135-22	55,000	11.0	13.5	55,500	3.60	8.5	33,800	2.56
1147298	38QRR060---3	CNPV*6024A**	58CV(A,X)155-22	55,500	11.5	13.5	55,500	3.64	8.5	33,800	2.58
4209502	38QRR060---3	CNPV*6024A**	58HDV100--20	55,000	11.0	13.0	56,000	3.54	8.2	34,400	2.50
3112771	38QRR060---3	CNPV*6024A**	58ME(B,C)120-20	55,000	11.0	13.5	55,000	3.60	8.2	33,600	2.56
3015673	38QRR060---3	CNPV*6024A**	58PH*135-20	55,000	11.0	13.5	55,500	3.56	8.2	33,800	2.54
1147294	38QRR060---3	CNPV*6024A**+TDR		56,000	11.0	13.0	56,000	3.62	8.5	34,800	2.54
3835364	38QRR060---3	CNPV*6124A**	58CV(A,X)135-22	55,500	11.0	13.5	55,500	3.72	8.2	33,800	2.62
3835365	38QRR060---3	CNPV*6124A**	58CV(A,X)155-22	55,500	11.0	13.5	55,500	3.76	8.2	33,800	2.64
4209504	38QRR060---3	CNPV*6124A**	58HDV100--20	56,000	11.0	13.0	56,000	3.64	8.2	34,800	2.54
3835367	38QRR060---3	CNPV*6124A**	58ME(B,C)120-20	55,500	11.0	13.5	55,500	3.72	8.2	33,600	2.62
3835363	38QRR060---3	CNPV*6124A**	58MV(B,C)120-20	55,500	11.0	13.5	55,500	3.64	8.2	34,200	2.56
3835366	38QRR060---3	CNPV*6124A**	58PH*135-20	55,500	11.0	13.5	55,500	3.68	8.2	33,800	2.60
4209503	38QRR060---3	CNPV*6124A**+TDR		56,500	11.0	13.0	56,500	3.74	8.2	35,200	2.60
1147310	38QRR060---3	CSPH*6012A**	58CV(A,X)110-20	55,500	11.0	13.5	55,500	3.62	8.5	34,200	2.56
1147312	38QRR060---3	CSPH*6012A**	58CV(A,X)135-22	55,500	11.5	13.5	55,500	3.66	8.5	33,800	2.60
1147314	38QRR060---3	CSPH*6012A**	58CV(A,X)155-22	56,000	11.5	13.5	55,500	3.70	8.5	33,800	2.62
4209510	38QRR060---3	CSPH*6012A**	58HDV100--20	55,500	11.0	13.0	56,000	3.60	8.2	34,600	2.52
3112775	38QRR060---3	CSPH*6012A**	58ME(B,C)080-16	55,000	11.0	13.0	55,000	3.54	8.2	34,000	2.52
3112776	38QRR060---3	CSPH*6012A**	58ME(B,C)100-20	55,000	11.0	13.5	55,000	3.62	8.2	33,800	2.56
3112777	38QRR060---3	CSPH*6012A**	58ME(B,C)120-20	55,000	11.0	13.5	55,000	3.66	8.2	33,800	2.60
3015677	38QRR060---3	CSPH*6012A**	58PH*090-16	55,000	11.0	13.5	55,500	3.60	8.2	34,000	2.54
3015678	38QRR060---3	CSPH*6012A**	58PH*110-20	55,000	11.0	13.5	55,500	3.66	8.2	34,000	2.58
3015679	38QRR060---3	CSPH*6012A**	58PH*135-20	55,000	11.0	13.5	55,500	3.62	8.2	34,000	2.56
4209512	38QRR060---3	CSPH*6012A**	58VLR120-20	55,500	11.0	13.0	56,000	3.64	8.2	34,200	2.56
4209511	38QRR060---3	CSPH*6012A**	58VLR120-20	55,500	11.0	13.0	56,000	3.56	8.2	34,600	2.50
1147308	38QRR060---3	CSPH*6012A**+TDR		56,000	11.0	13.0	56,000	3.68	8.5	35,000	2.56
4046562	38QRR060---3	FB4CNF060		55,500	11.0	13.0	56,000	3.60	8.2	34,200	2.54
1147322	38QRR060---3	FE4ANB006+UI		56,500	11.5	14.0	55,500	3.76	8.8	33,800	2.64
3405898	38QRR060---3	FV4CNB006		56,500	11.5	14.0	55,500	3.76	8.8	33,800	2.64

See notes on page 40

# COMBINATION RATINGS CONTINUED

AHRI Ref. No.	Model Number	Coil Model Number	Furnace Model Number	Cooling Capacity	EER	SEER	High Temp		HSPF	Low Temp	
							E Capacity	E COP		H Capacity	H COP
3835374	38QRR060---3	FX4DN(B,F)061		56,500	11.0	13.5	56,000	3.82	8.2	34,400	2.64
4209648	38QRR060---5	†FY5BNB060		56,000	10.5	13.0	57,000	3.58	8.5	35,600	2.50
1150686	38QRR060---5	CAP**6021A**	58CV(A,X)110-20	55,500	11.0	13.0	55,500	3.58	8.4	34,000	2.54
3116620	38QRR060---5	CAP**6021A**	58ME(B,C)100-20	55,000	11.0	13.5	55,000	3.58	8.2	33,800	2.56
3015773	38QRR060---5	CAP**6021A**	58PH*090-16	55,000	11.0	13.5	55,500	3.56	8.2	34,000	2.54
3015774	38QRR060---5	CAP**6021A**	58PH*110-20	55,000	11.0	13.5	55,500	3.62	8.2	34,000	2.58
1150684	38QRR060---5	CAP**6021A**+TDR		55,500	11.0	13.0	56,000	3.58	8.4	34,400	2.52
1150716	38QRR060---5	CAP**6024A**	58CV(A,X)110-20	55,000	11.0	13.0	56,000	3.56	8.4	34,200	2.54
1150690	38QRR060---5	CAP**6024A**	58CV(A,X)135-22	55,500	11.0	13.5	55,500	3.62	8.5	34,000	2.56
1150692	38QRR060---5	CAP**6024A**	58CV(A,X)155-22	55,500	11.5	13.5	55,500	3.64	8.5	33,800	2.58
3116621	38QRR060---5	CAP**6024A**	58ME(B,C)120-20	55,000	11.0	13.5	55,000	3.60	8.2	33,800	2.56
3015775	38QRR060---5	CAP**6024A**	58PH*135-20	55,000	11.0	13.5	55,500	3.58	8.2	33,800	2.54
1150688	38QRR060---5	CAP**6024A**+TDR		56,000	11.0	13.0	56,000	3.64	8.5	35,000	2.56
3836114	38QRR060---5	CAP**6025A**	58CV(A,X)135-22	55,000	11.0	13.5	55,000	3.64	8.2	33,800	2.58
3836115	38QRR060---5	CAP**6025A**	58CV(A,X)155-22	55,000	11.0	13.5	55,000	3.66	8.2	33,600	2.60
3836117	38QRR060---5	CAP**6025A**	58ME(B,C)120-20	55,000	11.0	13.5	55,000	3.62	8.2	33,400	2.58
3836116	38QRR060---5	CAP**6025A**	58PH*135-20	55,000	11.0	13.5	55,000	3.60	8.2	33,600	2.56
1150702	38QRR060---5	CNPH*6024A**	58CV(A,X)110-20	55,000	11.0	13.5	55,500	3.56	8.4	34,000	2.54
1150704	38QRR060---5	CNPH*6024A**	58CV(A,X)135-22	55,000	11.5	13.5	55,500	3.60	8.5	33,800	2.56
1150706	38QRR060---5	CNPH*6024A**	58CV(A,X)155-22	55,500	11.5	13.5	55,500	3.64	8.5	33,800	2.58
3116623	38QRR060---5	CNPH*6024A**	58ME(B,C)080-16	54,500	11.0	13.0	55,000	3.48	8.2	34,000	2.50
3116624	38QRR060---5	CNPH*6024A**	58ME(B,C)100-20	55,000	11.0	13.5	55,000	3.56	8.2	33,800	2.54
3116625	38QRR060---5	CNPH*6024A**	58ME(B,C)120-20	55,000	11.0	13.5	55,000	3.60	8.2	33,600	2.56
3015777	38QRR060---5	CNPH*6024A**	58PH*090-16	55,000	11.0	13.5	55,500	3.54	8.2	33,800	2.52
3015778	38QRR060---5	CNPH*6024A**	58PH*110-20	55,000	11.0	13.5	55,500	3.60	8.2	33,800	2.56
3015779	38QRR060---5	CNPH*6024A**	58PH*135-20	55,000	11.0	13.5	55,500	3.56	8.2	33,800	2.54
1150700	38QRR060---5	CNPH*6024A**+TDR		56,000	11.0	13.0	56,000	3.62	8.5	34,800	2.54
3836123	38QRR060---5	CNPH*6124A**	58CV(A,X)135-22	55,500	11.0	13.5	55,500	3.66	8.2	33,800	2.58
3836124	38QRR060---5	CNPH*6124A**	58CV(A,X)155-22	55,500	11.0	13.5	55,500	3.70	8.2	33,800	2.60
3836127	38QRR060---5	CNPH*6124A**	58ME(B,C)100-20	55,500	11.0	13.5	55,500	3.62	8.2	33,600	2.56
3836128	38QRR060---5	CNPH*6124A**	58ME(B,C)120-20	55,500	11.0	13.5	55,500	3.66	8.2	33,600	2.58
3836125	38QRR060---5	CNPH*6124A**	58PH*110-20	55,500	11.0	13.5	55,500	3.66	8.2	33,800	2.58
3836126	38QRR060---5	CNPH*6124A**	58PH*135-20	55,500	11.0	13.5	55,500	3.62	8.2	33,800	2.56
1150718	38QRR060---5	CNPV*6024A**	58CV(A,X)110-20	55,000	11.0	13.5	55,500	3.56	8.4	34,000	2.54
1150696	38QRR060---5	CNPV*6024A**	58CV(A,X)135-22	55,000	11.0	13.5	55,500	3.60	8.5	33,800	2.56
1150698	38QRR060---5	CNPV*6024A**	58CV(A,X)155-22	55,500	11.5	13.5	55,500	3.64	8.5	33,800	2.58
3116622	38QRR060---5	CNPV*6024A**	58ME(B,C)120-20	55,000	11.0	13.5	55,000	3.60	8.2	33,600	2.56
3015776	38QRR060---5	CNPV*6024A**	58PH*135-20	55,000	11.0	13.5	55,500	3.56	8.2	33,800	2.54
1150694	38QRR060---5	CNPV*6024A**+TDR		56,000	11.0	13.0	56,000	3.62	8.5	34,800	2.54
3836119	38QRR060---5	CNPV*6124A**	58CV(A,X)135-22	55,500	11.0	13.5	55,500	3.72	8.2	33,800	2.62
3836120	38QRR060---5	CNPV*6124A**	58CV(A,X)155-22	55,500	11.0	13.5	55,500	3.76	8.2	33,800	2.64
3836122	38QRR060---5	CNPV*6124A**	58ME(B,C)120-20	55,500	11.0	13.5	55,500	3.72	8.2	33,600	2.62
3836118	38QRR060---5	CNPV*6124A**	58MV(B,C)120-20	55,500	11.0	13.5	55,500	3.64	8.2	34,200	2.56
3836121	38QRR060---5	CNPV*6124A**	58PH*135-20	55,500	11.0	13.5	55,500	3.68	8.2	33,800	2.60
1150710	38QRR060---5	CSPH*6012A**	58CV(A,X)110-20	55,500	11.0	13.5	55,500	3.62	8.5	34,200	2.56
1150712	38QRR060---5	CSPH*6012A**	58CV(A,X)135-22	55,500	11.5	13.5	55,500	3.66	8.5	33,800	2.60
1150714	38QRR060---5	CSPH*6012A**	58CV(A,X)155-22	56,000	11.5	13.5	55,500	3.70	8.5	33,800	2.62
3116626	38QRR060---5	CSPH*6012A**	58ME(B,C)080-16	55,000	11.0	13.0	55,000	3.54	8.2	34,000	2.52
3116627	38QRR060---5	CSPH*6012A**	58ME(B,C)100-20	55,000	11.0	13.5	55,000	3.62	8.2	33,800	2.56
3116628	38QRR060---5	CSPH*6012A**	58ME(B,C)120-20	55,000	11.0	13.5	55,000	3.66	8.2	33,800	2.60
3015780	38QRR060---5	CSPH*6012A**	58PH*090-16	55,000	11.0	13.5	55,500	3.60	8.2	34,000	2.54
3015781	38QRR060---5	CSPH*6012A**	58PH*110-20	55,000	11.0	13.5	55,500	3.66	8.2	34,000	2.58
3015782	38QRR060---5	CSPH*6012A**	58PH*135-20	55,000	11.0	13.5	55,500	3.62	8.2	34,000	2.56
1150708	38QRR060---5	CSPH*6012A**+TDR		56,000	11.0	13.0	56,000	3.68	8.5	35,000	2.56
1150722	38QRR060---5	FE4ANB006+UI		56,500	11.5	14.0	55,500	3.76	8.8	33,800	2.64
3405899	38QRR060---5	FV4CNB006		56,500	11.5	14.0	55,500	3.76	8.8	33,800	2.64
3836129	38QRR060---5	FX4DN(B,F)061		56,500	11.0	13.5	56,000	3.82	8.2	34,400	2.64
4209649	38QRR060---6	†FY5BNB060		56,000	10.5	13.0	57,000	3.58	8.5	35,600	2.50
1151110	38QRR060---6	CAP**6021A**	58CV(A,X)110-20	55,500	11.0	13.0	55,500	3.58	8.4	34,000	2.54
3116689	38QRR060---6	CAP**6021A**	58ME(B,C)100-20	55,000	11.0	13.5	55,000	3.58	8.2	33,800	2.56
3015784	38QRR060---6	CAP**6021A**	58PH*090-16	55,000	11.0	13.5	55,500	3.56	8.2	34,000	2.54
3015785	38QRR060---6	CAP**6021A**	58PH*110-20	55,000	11.0	13.5	55,500	3.62	8.2	34,000	2.58
1151108	38QRR060---6	CAP**6021A**+TDR		55,500	11.0	13.0	56,000	3.58	8.4	34,400	2.52
1151140	38QRR060---6	CAP**6024A**	58CV(A,X)110-20	55,000	11.0	13.0	56,000	3.56	8.4	34,200	2.54
1151114	38QRR060---6	CAP**6024A**	58CV(A,X)135-22	55,500	11.0	13.5	55,500	3.62	8.5	34,000	2.56
1151116	38QRR060---6	CAP**6024A**	58CV(A,X)155-22	55,500	11.5	13.5	55,500	3.64	8.5	33,800	2.58
3116690	38QRR060---6	CAP**6024A**	58ME(B,C)120-20	55,000	11.0	13.5	55,000	3.60	8.2	33,800	2.56
3015786	38QRR060---6	CAP**6024A**	58PH*135-20	55,000	11.0	13.5	55,500	3.58	8.2	33,800	2.54
1151112	38QRR060---6	CAP**6024A**+TDR		56,000	11.0	13.0	56,000	3.64	8.5	35,000	2.56
3836303	38QRR060---6	CAP**6025A**	58CV(A,X)135-22	55,000	11.0	13.5	55,000	3.64	8.2	33,800	2.58
3836304	38QRR060---6	CAP**6025A**	58CV(A,X)155-22	55,000	11.0	13.5	55,000	3.66	8.2	33,600	2.60
3836306	38QRR060---6	CAP**6025A**	58ME(B,C)120-20	55,000	11.0	13.5	55,000	3.62	8.2	33,400	2.58
3836305	38QRR060---6	CAP**6025A**	58PH*135-20	55,000	11.0	13.5	55,000	3.60	8.2	33,600	2.56
1151126	38QRR060---6	CNPH*6024A**	58CV(A,X)110-20	55,000	11.0	13.5	55,500	3.56	8.4	34,000	2.54
1151128	38QRR060---6	CNPH*6024A**	58CV(A,X)135-22	55,000	11.5	13.5	55,500	3.60	8.5	33,800	2.56
1151130	38QRR060---6	CNPH*6024A**	58CV(A,X)155-22	55,500	11.5	13.5	55,500	3.64	8.5	33,800	2.58
3116692	38QRR060---6	CNPH*6024A**	58ME(B,C)080-16	54,500	11.0	13.0	55,000	3.48	8.2	34,000	2.50

38QRR

See notes on page 40

# COMBINATION RATINGS CONTINUED

AHRI Ref. No.	Model Number	Coil Model Number	Furnace Model Number	Cooling Capacity	EER	SEER	High Temp		HSPF	Low Temp	
							E Capacity	E COP		H Capacity	H COP
3116693	38QRR060---6	CNPH*6024A**	58ME(B,C)100-20	55,000	11.0	13.5	55,000	3.56	8.2	33,800	2.54
3116694	38QRR060---6	CNPH*6024A**	58ME(B,C)120-20	55,000	11.0	13.5	55,000	3.60	8.2	33,800	2.56
3015788	38QRR060---6	CNPH*6024A**	58PH*090-16	55,000	11.0	13.5	55,500	3.54	8.2	33,800	2.52
3015789	38QRR060---6	CNPH*6024A**	58PH*110-20	55,000	11.0	13.5	55,500	3.60	8.2	33,800	2.56
3015790	38QRR060---6	CNPH*6024A**	58PH*135-20	55,000	11.0	13.5	55,500	3.56	8.2	33,800	2.54
1151124	38QRR060---6	CNPH*6024A**+TDR		56,000	11.0	13.0	56,000	3.62	8.5	34,800	2.54
3836312	38QRR060---6	CNPH*6124A**	58CV(A,X)135-22	55,500	11.0	13.5	55,500	3.66	8.2	33,800	2.58
3836313	38QRR060---6	CNPH*6124A**	58CV(A,X)155-22	55,500	11.0	13.5	55,500	3.70	8.2	33,800	2.60
3836316	38QRR060---6	CNPH*6124A**	58ME(B,C)100-20	55,500	11.0	13.5	55,500	3.62	8.2	33,600	2.56
3836317	38QRR060---6	CNPH*6124A**	58ME(B,C)120-20	55,500	11.0	13.5	55,500	3.66	8.2	33,600	2.58
3836314	38QRR060---6	CNPH*6124A**	58PH*110-20	55,500	11.0	13.5	55,500	3.66	8.2	33,800	2.58
3836315	38QRR060---6	CNPH*6124A**	58PH*135-20	55,500	11.0	13.5	55,500	3.62	8.2	33,800	2.56
1151142	38QRR060---6	CNPV*6024A**	58CV(A,X)110-20	55,000	11.0	13.5	55,500	3.56	8.4	34,000	2.54
1151120	38QRR060---6	CNPV*6024A**	58CV(A,X)135-22	55,000	11.0	13.5	55,500	3.60	8.5	33,800	2.56
1151122	38QRR060---6	CNPV*6024A**	58CV(A,X)155-22	55,500	11.5	13.5	55,500	3.64	8.5	33,800	2.58
3116691	38QRR060---6	CNPV*6024A**	58ME(B,C)120-20	55,000	11.0	13.5	55,000	3.60	8.2	33,600	2.56
3015787	38QRR060---6	CNPV*6024A**	58PH*135-20	55,000	11.0	13.5	55,500	3.56	8.2	33,800	2.54
1151118	38QRR060---6	CNPV*6024A**+TDR		56,000	11.0	13.0	56,000	3.62	8.5	34,800	2.54
3836308	38QRR060---6	CNPV*6124A**	58CV(A,X)135-22	55,500	11.0	13.5	55,500	3.72	8.2	33,800	2.62
3836309	38QRR060---6	CNPV*6124A**	58CV(A,X)155-22	55,500	11.0	13.5	55,500	3.76	8.2	33,800	2.64
3836311	38QRR060---6	CNPV*6124A**	58ME(B,C)120-20	55,500	11.0	13.5	55,500	3.72	8.2	33,600	2.62
3836307	38QRR060---6	CNPV*6124A**	58MV(B,C)120-20	55,500	11.0	13.5	55,500	3.64	8.2	34,200	2.56
3836310	38QRR060---6	CNPV*6124A**	58PH*135-20	55,500	11.0	13.5	55,500	3.68	8.2	33,800	2.60
1151134	38QRR060---6	CSPH*6012A**	58CV(A,X)110-20	55,500	11.0	13.5	55,500	3.62	8.5	34,200	2.56
1151136	38QRR060---6	CSPH*6012A**	58CV(A,X)135-22	55,500	11.5	13.5	55,500	3.66	8.5	33,800	2.60
1151138	38QRR060---6	CSPH*6012A**	58CV(A,X)155-22	56,000	11.5	13.5	55,500	3.70	8.5	33,800	2.62
3116695	38QRR060---6	CSPH*6012A**	58ME(B,C)080-16	55,000	11.0	13.0	55,000	3.54	8.2	34,000	2.52
3116696	38QRR060---6	CSPH*6012A**	58ME(B,C)100-20	55,000	11.0	13.5	55,000	3.62	8.2	33,800	2.56
3116697	38QRR060---6	CSPH*6012A**	58ME(B,C)120-20	55,000	11.0	13.5	55,000	3.66	8.2	33,800	2.60
3015791	38QRR060---6	CSPH*6012A**	58PH*090-16	55,000	11.0	13.5	55,500	3.60	8.2	34,000	2.54
3015792	38QRR060---6	CSPH*6012A**	58PH*110-20	55,000	11.0	13.5	55,500	3.66	8.2	34,000	2.58
3015793	38QRR060---6	CSPH*6012A**	58PH*135-20	55,000	11.0	13.5	55,500	3.62	8.2	34,000	2.56
1151132	38QRR060---6	CSPH*6012A**+TDR		56,000	11.0	13.0	56,000	3.68	8.5	35,000	2.56
1151146	38QRR060---6	FE4ANB006+UI		56,500	11.5	14.0	55,500	3.76	8.8	33,800	2.64
3405900	38QRR060---6	FV4CNB006		56,500	11.5	14.0	55,500	3.76	8.8	33,800	2.64
3836318	38QRR060---6	FX4DN(B,F)061		56,500	11.0	13.5	56,000	3.82	8.2	34,400	2.64

† Tested combination

**EER** — Energy Efficiency Ratio

**SEER** — Seasonal Energy Efficiency Ratio

**TDR** — Time-Delay Relay. In most cases, only 1 method should be used to achieve TDR function. Using more than 1 method in a system may cause degradation in performance. Use either the accessory Time-Delay Relay KAATD0101TDR or a furnace equipped with TDR. Most Carrier furnaces are equipped with TDR.

**TXV** — Thermostatic Expansion Valve

**UI** — User Interface

**NOTES:**

1. Ratings are net values reflecting the effects of circulating fan motor heat. Supplemental electric heat is not included.
2. Tested outdoor/indoor combinations have been tested in accordance with DOE test procedures for central air conditioners. Ratings for other combinations are determined under DOE computer simulation procedures.
3. Determine actual CFM values obtainable for your system by referring to fan performance data in fan coil or furnace coil literature.
4. Do not apply with capillary tube coils as performance and reliability are significantly affected.

38QRR



# DETAILED COOLING CAPACITIES

Evaporator Air		CONDENSER ENTERING AIR TEMPERATURES °F (°C)																							
		75 (23.9)				85 (29.4)				95 (35)				105 (40.6)				115 (46.1)				125 (51.7)			
		CFM	EWB °F (°C)	Capacity MBtu/h		Total System KW**	Capacity MBtu/h		Total System KW**	Capacity MBtu/h		Total System KW**	Capacity MBtu/h		Total System KW**	Capacity MBtu/h		Total System KW**	Capacity MBtu/h		Total System KW**				
Total	Sens†			Total	Sens†		Total	Sens†		Total	Sens†		Total	Sens†		Total	Sens†		Total	Sens†					
38QR18 Outdoor Section With FX4CNF018 Indoor Section																									
525		57 (13.9)	17.41	16.66	1.44	15.87	15.87	1.64	15.04	15.04	1.86	14.15	14.15	2.10	13.18	13.18	2.36	12.23	12.23	2.59	11.24	11.24			
		62 (16.7)	18.03	15.46	1.43	16.10	14.55	1.64	14.04	14.04	1.86	13.17	13.17	2.10	12.23	12.23	2.36	11.24	11.24	2.59	10.29	10.29			
		67 (19.4)	19.83	13.02	1.23	17.89	12.16	1.62	11.71	11.71	1.84	10.74	10.74	2.09	9.27	9.27	2.33	8.32	8.32	2.38	7.42	7.42			
600		72 (22.2)	21.81	10.56	1.21	20.67	10.15	1.40	19.47	9.71	1.60	18.22	9.27	1.82	17.07	8.81	2.07	16.82	8.32	2.33	15.66	15.66			
		57 (13.9)	18.14	18.14	1.27	17.33	17.33	1.45	16.49	16.49	1.65	15.60	15.60	1.87	14.66	14.66	2.11	13.62	13.62	2.38	12.76	12.76			
		62 (16.7)	18.44	16.55	1.27	17.47	16.06	1.45	16.50	16.50	1.65	15.60	15.60	1.87	14.66	14.66	2.11	13.62	13.62	2.38	12.76	12.76			
		67 (19.4)	20.24	13.84	1.25	19.14	13.40	1.43	18.00	12.86	1.64	16.82	12.50	1.86	15.57	12.02	2.10	14.24	11.51	2.37	14.24	14.24			
675		72 (22.2)	22.25	11.07	1.23	21.05	10.64	1.41	19.80	10.20	1.62	18.50	9.75	1.84	17.13	9.28	2.09	16.65	8.78	2.35	15.07	15.07			
		57 (13.9)	18.75	18.75	1.28	17.90	17.90	1.46	17.01	17.01	1.67	16.07	16.07	1.89	15.07	15.07	2.13	13.97	13.97	2.39	12.76	12.76			
		62 (16.7)	18.82	18.64	1.28	17.90	17.90	1.46	17.01	17.01	1.67	16.07	16.07	1.89	15.07	15.07	2.13	13.97	13.97	2.39	12.76	12.76			
		67 (19.4)	20.55	14.63	1.27	19.41	14.18	1.45	18.23	13.73	1.65	17.01	13.25	1.88	15.74	12.76	2.12	14.37	12.23	2.39	14.37	14.37			
72 (22.2)		22.58	11.56	11.12	1.24	21.34	11.12	1.43	20.05	10.67	1.63	18.71	10.21	1.86	17.30	9.74	2.10	15.78	9.23	2.37	15.78	15.78			

COOLING INDOOR MODEL		CAPACITY	POWER	FURNACE MODEL
*FX4CNF018	1.00	1.00	1.00	
FE4ANF002	1.02	1.02	1.02	
FV4BNF002	1.02	1.02	1.02	
FX4CNF024	1.02	1.02	1.02	
40QAC(O)24-3	0.97	0.92	0.92	
CAP**2414A**	1.01	1.01	1.01	58CV(A,X)070-12
CNPV**1814A**	1.01	1.01	1.01	58CV(A,X)070-12
CNPV**2417A**	1.01	1.01	1.01	58CV(A,X)070-12
CNPV**2414A**	1.01	1.01	1.01	58CV(A,X)070-12
CSPH**2412A**	1.01	1.01	1.01	58CV(A,X)070-12
CAP**2417A**	1.01	1.01	1.01	58CV(A,X)090-16
CNPV**2417A**	1.01	1.01	1.01	58CV(A,X)090-16
CNPV**2417A**	1.01	1.01	1.01	58CV(A,X)090-16
CNPV**2412A**	1.01	1.01	1.01	58CV(A,X)090-16
CNPV**2417A**	1.01	1.01	1.01	58HDV040-12
CSPH**2412A**	1.01	1.01	1.01	58HDV040-12
CNPV**2417A**	1.01	1.01	1.01	58HDV060-12
CSPH**2412A**	1.01	1.01	1.01	58HDV060-12
CAP**2417A**	1.01	1.01	1.01	58MEB040-12
CNPV**2417A**	1.01	1.01	1.01	58MEB040-12
CNPV**2417A**	1.01	1.01	1.01	58MEB040-12
CSPH**2412A**	1.01	1.01	1.01	58MEB040-12
CAP**2417A**	1.01	1.01	1.01	58MEB060-12
CNPV**2417A**	1.01	1.01	1.01	58MEB060-12
CNPV**2417A**	1.01	1.01	1.01	58MEB060-12
CSPH**2412A**	1.01	1.01	1.01	58MEB060-12
CAP**2417A**	1.01	1.01	1.01	58MV(B,C)060-14
CNPV**2417A**	1.01	1.01	1.01	58MV(B,C)060-14
CNPV**2417A**	1.01	1.01	1.01	58MV(B,C)060-14
CSPH**2412A**	1.01	1.01	1.01	58MV(B,C)060-14
CNPV**2417A**	1.01	1.01	1.01	58MV(B,C)080-14
CSPH**2412A**	1.01	1.01	1.01	58MV(B,C)080-14
CNPV**2417A**	1.01	1.01	1.01	58MV(B,C)080-14
CSPH**2412A**	1.01	1.01	1.01	58MV(B,C)080-14
CAP**1814A**	1.00	1.00	1.00	58MB040-14
CAP**2414A**	1.01	1.01	1.01	58PH*045-08
CNPV**2417A**	1.01	1.01	1.01	58PH*045-08

See notes on pg. 50



38QRR

DETAILED COOLING CAPACITIES (CONT.)

Evaporator Air		CONDENSER ENTERING AIR TEMPERATURES °F (°C)																					
		75 (23.9)				85 (29.4)				95 (35)				105 (40.6)				115 (46.1)				125 (51.7)	
		CFM	E/WB °F (°C)	Capacity MBtu/h		Total System KW**	Capacity MBtu/h		Total System KW**	Capacity MBtu/h		Total System KW**	Capacity MBtu/h		Total System KW**	Capacity MBtu/h		Total System KW**	Capacity MBtu/h		Total System KW**		
Total	Sens†			Total	Sens†		Total	Sens†		Total	Sens†		Total	Sens†		Total	Sens†		Total	Sens†			
700	57 (13.9)	22.45	22.45	21.50	1.68	1.90	20.47	20.47	19.37	2.15	2.43	18.17	18.17	17.82	16.82	16.82	16.82	16.82	16.82	3.04			
	62 (16.7)	23.21	20.45	19.87	1.68	1.90	20.75	19.26	18.58	2.15	2.43	18.17	18.17	17.82	16.82	16.82	16.82	16.82	16.82	3.04			
	67 (19.4)	25.40	17.12	16.57	1.68	1.90	22.68	15.99	14.75	2.15	2.43	19.59	14.75	17.84	14.06	14.06	14.06	14.06	14.06	3.04			
	72 (22.2)	27.81	13.77	13.23	1.68	1.90	24.81	12.85	12.07	2.15	2.42	21.44	11.44	19.50	10.76	10.76	10.76	10.76	10.76	3.03			
	57 (13.9)	23.31	23.31	22.28	1.72	1.94	21.19	21.19	20.02	2.46	2.46	18.74	18.74	17.30	17.30	17.30	17.30	17.30	17.30	3.08			
800	62 (16.7)	23.67	21.86	21.23	1.72	1.94	21.19	21.19	20.01	2.46	2.46	18.73	18.73	17.30	17.30	17.30	17.30	17.30	17.30	3.08			
	67 (19.4)	25.84	18.17	17.61	1.71	1.94	23.00	17.02	16.40	2.46	2.46	19.80	15.75	17.99	15.03	15.03	15.03	15.03	15.03	3.07			
	72 (22.2)	28.28	14.40	13.85	1.71	1.94	25.15	13.26	12.66	2.46	2.46	21.66	12.03	19.66	11.33	11.33	11.33	11.33	11.33	3.07			
	57 (13.9)	24.01	24.01	22.93	1.75	1.98	21.77	21.77	20.54	2.50	2.50	19.19	19.19	17.67	17.67	17.67	17.67	17.67	17.67	3.11			
	62 (16.7)	24.08	23.91	22.93	1.75	1.98	21.77	21.77	20.53	2.50	2.50	19.18	19.18	17.67	17.67	17.67	17.67	17.67	17.67	3.11			
900	67 (19.4)	26.17	19.17	18.60	1.75	1.98	23.23	18.00	17.37	2.50	2.50	19.85	16.69	18.09	15.95	15.95	15.95	15.95	15.95	3.11			
	72 (22.2)	28.64	14.99	14.43	1.75	1.98	25.41	13.84	13.23	2.50	2.50	21.81	12.59	19.76	11.89	11.89	11.89	11.89	11.89	3.11			

38QRR024 Outdoor Section With F14ANF024 Indoor Section

COOLING INDOOR MODEL		CAPACITY	POWER	FURNACE MODEL	
				FURNACE MODEL	FURNACE MODEL
*F15BNF024	1.00	1.00	0.89	58CV(A,X)090-16	58MEB080-12
FE4AN(B,F)003	1.03	0.90	0.88	58CV(A,X)090-16	58MV(B,C)060-14
FE4ANF002	1.02	0.89	0.89	58CV(A,X)090-16	58MV(B,C)060-14
FE5ANB004	1.00	0.91	0.91	58CV(A,X)110-20	58MV(B,C)060-14
FF1ENP024	1.00	1.00	0.89	58CV(A,X)110-20	58MV(B,C)060-14
FF1ENP030	1.02	1.02	0.88	58CV(A,X)110-20	58MV(B,C)060-14
FV4BN(B,F)003	1.02	0.90	0.89	58CV(A,X)110-20	58MV(B,C)060-14
FV4BNF002	1.03	0.89	0.91	58CV(A,X)135-22	58MV(B,C)060-14
FX4CNF024	1.00	0.91	0.89	58CV(A,X)135-22	58MV(B,C)060-14
FX4CNF030	1.00	0.89	0.88	58CV(A,X)135-22	58MV(B,C)060-14
FY4ANF030	1.02	0.90	0.89	58CV(A,X)135-22	58MV(B,C)060-14
40QAC(Q)024-3	1.00	0.92	0.91	58CV(A,X)155-22	58MV(B,C)080-14
CAP**2414A**	1.00	0.95	0.89	58CV(A,X)155-22	58MV(B,C)080-14
CAP**2417A**	1.00	0.95	0.88	58CV(A,X)155-22	58MV(B,C)080-14
CAP**3014A**	1.02	0.97	0.89	58CV(A,X)155-22	58MV(B,C)080-14
CAP**3017A**	1.02	0.97	0.88	58MEB040-12	58MV(B,C)080-20
GNPF**2418A**	1.00	0.95	0.89	58MEB040-12	58MV(B,C)080-20
CNP**2417A**	1.00	0.95	0.88	58MEB040-12	58MV(B,C)100-20
CNP**2414A**	1.02	0.97	0.89	58MEB040-12	58MV(B,C)100-20
CNP**2417A**	1.00	0.95	0.89	58MEB040-12	58MV(B,C)100-20
CNP**3017A**	1.02	0.97	0.88	58MEB040-12	58MV(B,C)120-20
CSPH**2412A**	1.00	0.95	0.88	58MEB060-12	58MV(B,C)120-20
CSPH**3012A**	1.02	0.97	0.89	58MEB060-12	58MV(B,C)120-20
CAP**2414A**	1.00	0.91	0.89	58MEB060-12	58MV(B,C)120-20
CAP**3014A**	1.02	0.89	0.88	58MEB060-12	58MV(B,C)120-20
CNP**3017A**	1.00	0.91	0.89	58MEB060-12	58MV(B,C)120-20
CNP**2417A**	1.00	0.91	0.88	58MEB060-12	58MV(B,C)120-20
CNP**3017A**	1.02	0.89	0.88	58MEB060-12	58MV(B,C)120-20
CNP**3014A**	1.02	0.89	0.89	58MEB060-12	58MV(B,C)120-20
CSPH**2412A**	1.00	0.88	0.89	58MEB060-12	58MV(B,C)120-20
CAP**2414A**	1.00	0.89	0.88	58MEB060-12	58MV(B,C)120-20
CNP**3017A**	1.02	0.89	0.88	58MEB060-12	58MV(B,C)120-20
CNP**2417A**	1.00	0.89	0.88	58MEB060-12	58MV(B,C)120-20
CNP**3017A**	1.02	0.89	0.88	58MEB060-12	58MV(B,C)120-20
CNP**3014A**	1.02	0.89	0.88	58MEB060-12	58MV(B,C)120-20
CSPH**2412A**	1.00	0.88	0.89	58MEB060-12	58MV(B,C)120-20
CAP**2414A**	1.00	0.89	0.88	58MEB060-12	58MV(B,C)120-20
CNP**3017A**	1.02	0.89	0.88	58MEB060-12	58MV(B,C)120-20
CNP**2417A**	1.00	0.89	0.88	58MEB060-12	58MV(B,C)120-20
CNP**3017A**	1.02	0.89	0.88	58MEB060-12	58MV(B,C)120-20
CNP**3014A**	1.02	0.89	0.88	58MEB060-12	58MV(B,C)120-20
CSPH**2412A**	1.00	0.88	0.89	58MEB060-12	58MV(B,C)120-20
CAP**2414A**	1.00	0.89	0.88	58MEB060-12	58MV(B,C)120-20
CNP**3017A**	1.02	0.89	0.88	58MEB060-12	58MV(B,C)120-20
CNP**2417A**	1.00	0.89	0.88	58MEB060-12	58MV(B,C)120-20
CNP**3017A**	1.02	0.89	0.88	58MEB060-12	58MV(B,C)120-20
CNP**3014A**	1.02	0.89	0.88	58MEB060-12	58MV(B,C)120-20
CSPH**2412A**	1.00	0.88	0.89	58MEB060-12	58MV(B,C)120-20
CAP**2414A**	1.00	0.89	0.88	58MEB060-12	58MV(B,C)120-20
CNP**3017A**	1.02	0.89	0.88	58MEB060-12	58MV(B,C)120-20
CNP**2417A**	1.00	0.89	0.88	58MEB060-12	58MV(B,C)120-20
CNP**3017A**	1.02	0.89	0.88	58MEB060-12	58MV(B,C)120-20
CNP**3014A**	1.02	0.89	0.88	58MEB060-12	58MV(B,C)120-20
CSPH**2412A**	1.00	0.88	0.89	58MEB060-12	58MV(B,C)120-20
CAP**2414A**	1.00	0.89	0.88	58MEB060-12	58MV(B,C)120-20
CNP**3017A**	1.02	0.89	0.88	58MEB060-12	58MV(B,C)120-20
CNP**2417A**	1.00	0.89	0.88	58MEB060-12	58MV(B,C)120-20
CNP**3017A**	1.02	0.89	0.88	58MEB060-12	58MV(B,C)120-20
CNP**3014A**	1.02	0.89	0.88	58MEB060-12	58MV(B,C)120-20
CSPH**2412A**	1.00	0.88	0.89	58MEB060-12	58MV(B,C)120-20
CAP**2414A**	1.00	0.89	0.88	58MEB060-12	58MV(B,C)120-20
CNP**3017A**	1.02	0.89	0.88	58MEB060-12	58MV(B,C)120-20
CNP**2417A**	1.00	0.89	0.88	58MEB060-12	58MV(B,C)120-20
CNP**3017A**	1.02	0.89	0.88	58MEB060-12	58MV(B,C)120-20
CNP**3014A**	1.02	0.89	0.88	58MEB060-12	58MV(B,C)120-20
CSPH**2412A**	1.00	0.88	0.89	58MEB060-12	58MV(B,C)120-20
CAP**2414A**	1.00	0.89	0.88	58MEB060-12	58MV(B,C)120-20
CNP**3017A**	1.02	0.89	0.88	58MEB060-12	58MV(B,C)120-20
CNP**2417A**	1.00	0.89	0.88	58MEB060-12	58MV(B,C)120-20
CNP**3017A**	1.02	0.89	0.88	58MEB060-12	58MV(B,C)120-20
CNP**3014A**	1.02	0.89	0.88	58MEB060-12	58MV(B,C)120-20
CSPH**2412A**	1.00	0.88	0.89	58MEB060-12	58MV(B,C)120-20
CAP**2414A**	1.00	0.89	0.88	58MEB060-12	58MV(B,C)120-20
CNP**3017A**	1.02	0.89	0.88	58MEB060-12	58MV(B,C)120-20
CNP**2417A**	1.00	0.89	0.88	58MEB060-12	58MV(B,C)120-20
CNP**3017A**	1.02	0.89	0.88	58MEB060-12	58MV(B,C)120-20
CNP**3014A**	1.02	0.89	0.88	58MEB060-12	58MV(B,C)120-20
CSPH**2412A**	1.00	0.88	0.89	58MEB060-12	58MV(B,C)120-20
CAP**2414A**	1.00	0.89	0.88	58MEB060-12	58MV(B,C)120-20
CNP**3017A**	1.02	0.89	0.88	58MEB060-12	58MV(B,C)120-20
CNP**2417A**	1.00	0.89	0.88	58MEB060-12	58MV(B,C)120-20
CNP**3017A**	1.02	0.89	0.88	58MEB060-12	58MV(B,C)120-20
CNP**3014A**	1.02	0.89	0.88	58MEB060-12	58MV(B,C)120-20
CSPH**2412A**	1.00	0.88	0.89	58MEB060-12	58MV(B,C)120-20
CAP**2414A**	1.00	0.89	0.88	58MEB060-12	58MV(B,C)120-20
CNP**3017A**	1.02	0.89	0.88	58MEB060-12	58MV(B,C)120-20
CNP**2417A**	1.00	0.89	0.88	58MEB060-12	58MV(B,C)120-20
CNP**3017A**	1.02	0.89	0.88	58MEB060-12	58MV(B,C)120-20
CNP**3014A**	1.02	0.89	0.88	58MEB060-12	58MV(B,C)120-20
CSPH**2412A**	1.00	0.88	0.89	58MEB060-12	58MV(B,C)120-20
CAP**2414A**	1.00	0.89	0.88	58MEB060-12	58MV(B,C)120-20
CNP**3017A**	1.02	0.89	0.88	58MEB060-12	58MV(B,C)120-20
CNP**2417A**	1.00	0.89	0.88	58MEB060-12	58MV(B,C)120-20
CNP**3017A**	1.02	0.89	0.88	58MEB060-12	58MV(B,C)120-20
CNP**3014A**	1.02	0.89	0.88	58MEB060-12	58MV(B,C)120-20
CSPH**2412A**	1.00	0.88	0.89	58MEB060-12	58MV(B,C)120-20
CAP**2414A**	1.00	0.89	0.88	58MEB060-12	58MV(B,C)120-20
CNP**3017A**	1.02	0.89	0.88	58MEB060-12	58MV(B,C)120-20
CNP**2417A**	1.00	0.89	0.88	58MEB060-12	58MV(B,C)120-20
CNP**3017A**	1.02	0.89	0.88	58MEB060-12	58MV(B,C)120-20
CNP**3014A**	1.02	0.89	0.88	58MEB060-12	58MV(B,C)120-20
CSPH**2412A**	1.00	0.88	0.89	58MEB060-12	58MV(B,C)120-20
CAP**2414A**	1.00	0.89	0.88	58MEB060-12	58MV(B,C)120-20
CNP**3017A**	1.02	0.89	0.88	58MEB060-12	58MV(B,C)120-20

# DETAILED COOLING CAPACITIES(CONT.)

38QRR024 Outdoor Section With FY4ANF024 Indoor Section

COOLING INDOOR MODEL	CAPACITY	POWER	FURNACE MODEL
CAP**3017A**	1.00	0.96	OVLAAB036098
CNPH*2417A**	1.02	0.97	OVLAAB036098
CNPH*3017A**	1.00	0.96	OVLAAB036098
CNPH*3117A**	1.00	0.96	OVLAAB036098
CNPH*2412A**	1.00	0.96	OVLAAB036098
CNPH*3012A**	1.00	0.96	OVLAAB036098
CNPH*3117A**	1.00	0.96	OVLAAB036098
CSPH*2412A**	1.00	0.96	OVLAAB036098
CSPH*3012A**	1.00	0.96	OVLAAB036098
CAP**2417A**	1.00	0.96	OVMAAB042112
CAP**3017A**	1.00	0.96	OVMAAB042112
CNPH*2417A**	1.00	0.96	OVMAAB042112
CNPH*3017A**	1.00	0.96	OVMAAB042112
CNPH*3117A**	1.00	0.96	OVMAAB042112
CNPH*2412A**	1.00	0.96	OVMAAB042112
CNPH*3012A**	1.00	0.96	OVMAAB042112
CAP**2417A**	1.01	0.95	59*N*A060V17**14
CNPH*2417A**	1.00	0.96	59*N*A060V17**14
CNPH*3017A**	1.01	0.95	59*N*A060V17**14
CNPH*3117A**	1.03	0.96	59*N*A060V17**14
CNPH*2412A**	1.00	0.96	59*N*A060V17**14
CNPH*3012A**	1.00	0.96	59*N*A060V17**14
CAP**2417A**	1.00	0.94	59*N*A080V17**14
CNPH*2417A**	0.99	0.95	59*N*A080V17**14
CNPH*3017A**	1.00	0.94	59*N*A080V17**14
CNPH*3117A**	1.03	0.94	59*N*A080V17**14
CNPH*2412A**	1.02	0.96	59*N*A080V17**14
CNPH*3012A**	1.00	0.96	59*N*A080V17**14
CAP**2417A**	1.00	0.94	59*N*A100V21**20
CNPH*2417A**	0.99	0.95	59*N*A100V21**20
CNPH*3017A**	1.00	0.94	59*N*A100V21**20
CNPH*3117A**	1.03	0.94	59*N*A100V21**20
CNPH*2412A**	1.02	0.96	59*N*A100V21**20
CNPH*3012A**	1.00	0.96	59*N*A100V21**20

COOLING INDOOR MODEL	CAPACITY	POWER	FURNACE MODEL
CNPH*2417A**	1.01	0.95	59*N*A120V24**22
CNPH*3017A**	1.02	0.96	59*N*A120V24**22
CNPH*3117A**	1.03	0.95	59*N*A120V24**22
CSPH*2412A**	1.02	0.96	59*N*A120V24**22
CSPH*3012A**	1.03	0.96	59*N*A120V24**22
CAP**2417A**	1.00	0.94	59*PSA060E17**14
CAP**3017A**	1.02	0.96	59*PSA060E17**14
CNPH*2417A**	0.99	0.95	59*PSA060E17**14
CNPH*3017A**	1.02	0.96	59*PSA060E17**14
CNPH*3117A**	1.03	0.95	59*PSA060E17**14
CNPV*2417A**	0.99	0.95	59*PSA060E17**14
CNPV*3017A**	1.02	0.96	59*PSA060E17**14
CNPV*3117A**	1.03	0.95	59*PSA060E17**14
CSPH*2412A**	1.00	0.94	59*PSA060E17**14
CSPH*3012A**	1.02	0.96	59*PSA060E17**14

See notes on pg. 50

DETAILED COOLING CAPACITIES(CONT.)

Evaporator Air CFM	EWB °F (°C)	CONDENSER ENTERING AIR TEMPERATURES °F (°C)																	
		75 (23.9)			85 (29.4)			95 (35)			105 (40.6)			115 (46.1)			125 (51.7)		
		Capacity MBtuHt	Total System KW**	Capacity MBtuHt	Total System KW**	Capacity MBtuHt	Total System KW**	Capacity MBtuHt	Total System KW**	Capacity MBtuHt	Total System KW**	Capacity MBtuHt	Total System KW**	Capacity MBtuHt	Total System KW**	Capacity MBtuHt	Total System KW**		
875	57 (13.9)	26.74	1.97	25.68	2.21	24.55	2.47	23.36	2.76	22.07	3.07	20.64	3.42	19.37	3.81	18.12	4.20		
	62 (16.7)	27.42	1.97	26.11	2.21	24.75	2.47	23.37	2.76	22.07	3.07	20.64	3.42	19.37	3.81	18.12	4.20		
	67 (19.4)	30.16	1.93	28.71	2.20	27.19	2.46	25.59	2.75	23.87	3.07	22.01	3.42	20.64	3.81	18.12	4.20		
	72 (22.2)	33.26	1.93	31.70	2.20	30.06	2.46	28.33	2.75	26.47	3.07	24.44	3.41	22.80	3.81	18.12	4.20		
	77 (25.0)	37.74	2.02	36.61	2.25	35.43	2.51	34.16	2.80	32.80	3.12	31.29	3.47	29.64	3.81	18.12	4.20		
1000	57 (13.9)	27.74	2.02	26.61	2.25	25.43	2.51	24.16	2.80	22.80	3.12	21.29	3.47	20.02	3.81	18.12	4.20		
	62 (16.7)	27.99	2.02	26.64	2.25	25.43	2.51	24.16	2.80	22.80	3.12	21.29	3.47	20.02	3.81	18.12	4.20		
	67 (19.4)	30.68	2.01	29.17	2.25	27.60	2.51	25.94	2.80	24.17	3.12	22.25	3.46	20.64	3.81	18.12	4.20		
	72 (22.2)	33.84	2.01	32.22	2.24	30.52	2.50	28.73	2.79	26.80	3.11	24.70	3.46	22.80	3.81	18.12	4.20		
	77 (25.0)	38.58	2.06	37.40	2.30	36.15	2.56	34.82	2.85	33.40	3.16	31.82	3.51	29.64	3.81	18.12	4.20		
1125	57 (13.9)	28.60	2.07	27.39	2.30	26.15	2.56	24.82	2.85	23.39	3.16	21.82	3.51	20.02	3.81	18.12	4.20		
	62 (16.7)	28.58	2.07	27.39	2.30	26.15	2.56	24.82	2.85	23.39	3.16	21.82	3.51	20.02	3.81	18.12	4.20		
	67 (19.4)	31.08	2.06	29.53	2.29	27.91	2.55	26.21	2.84	24.39	3.16	22.43	3.51	20.64	3.81	18.12	4.20		
72 (22.2)	34.29	2.05	32.62	2.29	30.87	2.55	29.02	2.84	27.04	3.16	24.89	3.50	22.80	3.81	18.12	4.20			

38QRR030 Outdoor Section With F14ANF030 Indoor Section

COOLING INDOOR MODEL	CAPACITY	POWER	FURNACE MODEL	COOLING INDOOR MODEL			FURNACE MODEL				
				Capacity	Power	Furnace Model	Capacity	Power	Furnace Model		
*F4CNF030	1.00	1.00		CAP**3617A**	1.01	0.92	56CV(A,X)090-16	CNPH*3017A**	1.00	0.92	58MEB080-12
FE4AN(B,F)003	1.02	0.90		CNPH*3017A**	1.00	0.88	56CV(A,X)090-16	CNPH*3017A**	1.01	0.92	58MEB080-12
FE4AN(B,F)005	1.04	0.88		CNPH*3617A**	1.01	0.88	56CV(A,X)090-16	CNPH*3617A**	1.00	0.92	58MEB080-12
FE4ANF002	1.01	0.89		CNPH*3017A**	1.00	0.88	56CV(A,X)090-16	CNPH*3017A**	1.01	0.92	58MEB080-12
FE5ANB004	1.05	0.89		CNPH*3617A**	1.01	0.89	56CV(A,X)090-16	CNPH*3617A**	1.00	0.92	58MEB080-12
FF1ENP030	0.99	0.99		CSPH*3012A**	1.00	0.88	56CV(A,X)090-16	CSPH*3012A**	1.01	0.92	58MEB080-12
FF1ENP036	1.01	1.01		CSPH*3612A**	1.01	0.89	56CV(A,X)090-16	CAP**3017A**	1.00	0.92	58MEB080-12
FV4BN(B,F)003	1.01	0.89		CAP**3621A**	1.01	0.89	56CV(A,X)110-20	CNPH*3017A**	1.01	0.92	58MEB080-16
FV4BN(B,F)005	1.01	0.86		CNPH*3017A**	1.00	0.88	56CV(A,X)110-20	CNPH*3017A**	1.00	0.92	58MEB080-16
FV4BNF002	1.01	0.92		CNPH*3617A**	1.01	0.89	56CV(A,X)110-20	CNPH*3617A**	1.01	0.92	58MEB080-16
FV4CN(B,F)036	1.02	0.94		CSPH*3012A**	1.00	0.88	56CV(A,X)110-20	CNPH*3017A**	1.00	0.92	58MEB080-16
FV4CNF030	1.01	0.93		CSPH*3612A**	1.01	0.89	56CV(A,X)110-20	CNPH*3017A**	1.01	0.92	58MEB080-16
FV4ANF036	1.00	1.00		CNPH*3017A**	1.00	0.88	56CV(A,X)135-22	CSPH*3012A**	1.00	0.92	58MEB080-16
FV4ANF036	1.01	1.01		CNPH*3617A**	1.01	0.89	56CV(A,X)135-22	CSPH*3612A**	1.01	0.92	58MEB080-16
40QAC(Q)036-3	1.01	1.00		CSPH*3012A**	1.00	0.88	56CV(A,X)135-22	CAP**3017A**	1.00	0.92	58MV(B,C)060-14
CAP**3014A**	1.00	1.00		CSPH*3612A**	1.01	0.89	56CV(A,X)135-22	CAP**3617A**	1.01	0.92	58MV(B,C)060-14
CAP**3017A**	1.00	1.00		CNPH*3017A**	1.00	0.88	56CV(A,X)155-22	CNPH*3017A**	1.00	0.92	58MV(B,C)060-14
CAP**3614A**	1.01	1.01		CNPH*3617A**	1.01	0.89	56CV(A,X)155-22	CNPH*3617A**	1.01	0.92	58MV(B,C)060-14
CAP**3617A**	1.01	1.01		CSPH*3012A**	1.00	0.88	56CV(A,X)155-22	CNPH*3017A**	1.00	0.92	58MV(B,C)060-14
CAP**3621A**	1.01	1.01		CSPH*3612A**	1.01	0.89	56CV(A,X)155-22	CNPH*3617A**	1.01	0.92	58MV(B,C)060-14
CNPF*3618A**	1.01	1.01		CAP**3017A**	1.00	0.92	58MEB040-12	CSPH*3012A**	1.00	0.92	58MV(B,C)060-14
CNPH*3017A**	1.00	1.00		CAP**3617A**	1.01	0.92	58MEB040-12	CSPH*3612A**	1.01	0.89	58MV(B,C)060-14
CNPH*3617A**	1.01	1.01		CNPH*3017A**	1.00	0.92	58MEB040-12	CAP**3621A**	1.01	0.89	58MV(B,C)060-14
CNPH*3014A**	1.00	1.00		CNPH*3617A**	1.01	0.92	58MEB040-12	CNPH*3017A**	1.00	0.92	58MV(B,C)060-14
CNPH*3017A**	1.00	1.00		CNPH*3017A**	1.00	0.92	58MEB040-12	CNPH*3617A**	1.00	0.92	58MV(B,C)060-14
CNPH*3617A**	1.01	1.01		CNPH*3017A**	1.00	0.92	58MEB040-12	CNPH*3617A**	1.00	0.92	58MV(B,C)060-14
CNPH*3012A**	1.00	1.01		CNPH*3617A**	1.01	0.92	58MEB040-12	CNPH*3621A**	1.01	0.89	58MV(B,C)060-14
CNPH*3012A**	1.00	1.01		CSPH*3012A**	1.00	0.92	58MEB040-12	CSPH*3012A**	1.00	0.92	58MV(B,C)060-14
CSPH*3612A**	1.01	1.01		CAP**3017A**	1.00	0.92	58MEB060-12	CAP**3621A**	1.01	0.89	58MV(B,C)060-20
CAP**3014A**	1.00	0.92	56CV(A,X)070-12	CNPH*3017A**	1.00	0.92	58MEB060-12	CNPH*3017A**	1.00	0.92	58MV(B,C)060-20
CAP**3614A**	1.01	0.92	56CV(A,X)070-12	CNPH*3617A**	1.01	0.92	58MEB060-12	CNPH*3617A**	1.01	0.92	58MV(B,C)060-20
CNPH*3017A**	1.00	0.92	56CV(A,X)070-12	CNPH*3017A**	1.00	0.92	58MEB060-12	CNPH*3621A**	1.01	0.89	58MV(B,C)060-20
CNPH*3617A**	1.01	0.92	56CV(A,X)070-12	CNPH*3617A**	1.01	0.92	58MEB060-12	CSPH*3012A**	1.00	0.92	58MV(B,C)060-20
CNPH*3014A**	1.00	0.92	56CV(A,X)070-12	CNPH*3017A**	1.00	0.92	58MEB060-12	CSPH*3612A**	1.01	0.89	58MV(B,C)060-20
CNPH*3012A**	1.00	0.92	56CV(A,X)070-12	CSPH*3612A**	1.01	0.89	58MEB060-12	CAP**3621A**	1.01	0.89	58MV(B,C)100-20
CSPH*3612A**	1.01	0.89	56CV(A,X)070-12	CAP**3017A**	1.00	0.92	58MEB080-12	CNPH*3017A**	1.00	0.92	58MV(B,C)100-20
CAP**3017A**	1.00	0.88	56CV(A,X)090-16	CAP**3617A**	1.01	0.92	58MEB080-12				







DETAILED COOLING CAPACITIES (CONT.)

Evaporator Air		CONDENSER ENTERING AIR TEMPERATURES °F (°C)																					
		75 (23.9)			85 (29.4)			95 (35)			105 (40.6)			115 (46.1)			125 (51.7)						
		CFM	EWB °F (°C)	Capacity MBtuHt		Total System KW**	Capacity MBtuHt		Total System KW**	Capacity MBtuHt		Total System KW**	Capacity MBtuHt		Total System KW**	Capacity MBtuHt		Total System KW**					
Total	Sens†			Total	Sens†		Total	Sens†		Total	Sens†		Total	Sens†									
1400	57 (13.9)	46.23	46.23	44.43	44.43	3.37	3.37	42.50	42.50	4.29	4.29	40.40	40.40	4.83	4.83	38.09	38.09	5.41	5.41	35.46	35.46	6.03	6.03
	62 (16.7)	47.80	41.89	45.53	40.81	3.37	3.37	43.15	39.85	4.29	4.29	40.62	38.37	4.82	4.82	38.09	38.09	5.41	5.41	35.46	35.46	6.03	6.03
	67 (19.4)	52.47	35.06	49.98	34.03	3.35	3.35	47.31	32.94	4.28	4.28	44.44	31.78	4.81	4.81	41.33	30.54	5.39	5.39	37.84	29.17	6.02	6.02
	72 (22.2)	57.60	28.20	54.86	27.18	3.34	3.34	51.92	26.10	4.26	4.26	48.75	24.95	4.79	4.79	45.28	23.71	5.37	5.37	41.40	22.34	5.98	5.98
	57 (13.9)	48.01	48.01	46.08	46.08	3.46	3.46	44.02	44.02	4.38	4.38	41.77	41.77	4.91	4.91	39.30	39.30	5.49	5.49	36.49	36.49	6.11	6.11
1600	62 (16.7)	48.76	44.78	46.44	43.60	3.89	3.89	44.03	44.03	4.38	4.38	41.77	41.77	4.91	4.91	39.30	39.30	5.49	5.49	36.49	36.49	6.11	6.11
	67 (19.4)	53.40	37.21	50.78	36.15	3.44	3.44	48.00	35.04	4.36	4.36	45.01	33.86	4.90	4.90	41.77	32.59	5.48	5.48	38.17	31.18	6.10	6.10
	72 (22.2)	58.60	29.47	55.73	28.43	3.43	3.43	52.66	27.33	4.35	4.35	49.35	26.16	4.88	4.88	45.75	24.90	5.46	5.46	41.71	23.51	6.08	6.08
	57 (13.9)	49.48	49.48	47.44	47.44	3.54	3.54	45.26	45.26	4.46	4.46	42.88	42.88	4.99	4.99	40.27	40.27	5.57	5.57	37.29	37.29	6.20	6.20
	62 (16.7)	49.61	49.28	47.44	47.44	3.54	3.54	45.26	45.26	4.46	4.46	42.88	42.88	4.99	4.99	40.27	40.27	5.57	5.57	37.29	37.29	6.20	6.20
1800	67 (19.4)	54.07	39.26	51.36	38.18	3.53	3.53	48.49	37.05	4.45	4.45	45.40	35.84	4.98	4.98	42.07	34.53	5.56	5.56	38.37	33.06	6.19	6.19
	72 (22.2)	59.33	30.67	56.36	29.62	3.51	3.51	53.17	28.50	4.43	4.43	49.76	27.31	4.96	4.96	46.04	26.03	5.54	5.54	41.89	24.82	6.16	6.16

38QRR048 Outdoor Section With F4ANF048 Indoor Section

COOLING INDOOR MODEL		CAPACITY		POWER	FURNACE MODEL		COOLING INDOOR MODEL		CAPACITY		POWER	FURNACE MODEL	
		Total	Sens†		Total	Sens†			Total	Sens†		Total	Sens†
*FYBNF048	1.00	1.00	1.00	0.90	56CV(A,X)135-22	CNPH*4821A**	0.98	0.90	56CV(A,X)135-22	CNPH*4821A**	0.98	0.90	56CV(A,X)135-22
FE4AN(B,F)005	1.00	0.98	0.98	0.98	56CV(A,X)135-22	CNPH*6024A**	1.00	0.98	56CV(A,X)135-22	CNPH*6024A**	1.00	0.98	56CV(A,X)135-22
FE4AN(B)006	1.00	0.90	0.90	0.92	56CV(A,X)135-22	CNPV*4824A**	1.00	0.92	56CV(A,X)135-22	CNPV*4824A**	1.00	0.92	56CV(A,X)135-22
FV4BN(B,F)005	1.02	0.98	0.98	0.88	56CV(A,X)135-22	CNPV*6024A**	1.00	0.88	56CV(A,X)135-22	CNPV*6024A**	1.00	0.88	56CV(A,X)135-22
FV4BN(B)006	1.02	0.94	0.94	0.91	56CV(A,X)135-22	CSPH*4812A**	0.99	0.91	56CV(A,X)135-22	CSPH*4812A**	0.99	0.91	56CV(A,X)135-22
FX4CN(B,F)048	1.02	0.94	0.94	0.89	56CV(A,X)155-22	CSPH*6012A**	1.01	0.89	56CV(A,X)155-22	CSPH*6012A**	1.01	0.89	56CV(A,X)155-22
FX4CN(B,F)060	1.03	0.91	0.91	0.90	56CV(A,X)155-22	CAP**4824A**	0.98	0.90	56CV(A,X)155-22	CAP**4824A**	0.98	0.90	56CV(A,X)155-22
FY4ANF048	1.00	1.00	1.00	0.89	56CV(A,X)155-22	CAP**6024A**	1.01	0.89	56CV(A,X)155-22	CAP**6024A**	1.01	0.89	56CV(A,X)155-22
FY4ANB060	1.02	0.98	0.98	0.90	56CV(A,X)155-22	CNPH*4821A**	0.98	0.90	56CV(A,X)155-22	CNPH*4821A**	0.98	0.90	56CV(A,X)155-22
40QAC(D)048-3	0.94	0.94	0.90	0.88	56CV(A,X)155-22	CNPH*6024A**	1.00	0.88	56CV(A,X)155-22	CNPH*6024A**	1.00	0.88	56CV(A,X)155-22
CAP**4817A**	0.98	0.94	0.94	0.98	58MEB080-16	CNPH*4821A**	0.98	0.98	58MEB080-16	CNPH*4821A**	0.98	0.98	58MEB080-16
CAP**4821A**	0.99	0.95	0.95	0.92	58MEB080-16	CNPH*6024A**	1.00	0.92	58MEB080-16	CNPH*6024A**	1.00	0.92	58MEB080-16
CAP**4824A**	0.99	0.95	0.95	0.92	58MEB080-16	CSPH*4812A**	0.98	0.92	58MEB080-16	CSPH*4812A**	0.98	0.92	58MEB080-16
CAP**6021A**	1.01	0.97	0.97	0.91	58MEB100-20	CSPH*6012A**	0.99	0.91	58MEB100-20	CSPH*6012A**	0.99	0.91	58MEB100-20
CAP**6024A**	1.01	0.97	0.97	0.91	58MEB100-20	CAP**4817A**	0.98	0.91	58MEB100-20	CAP**4817A**	0.98	0.91	58MEB100-20
CNPF*4818A**	0.98	0.94	0.94	0.98	58MEB100-20	CNPH*4821A**	0.98	0.98	58MEB100-20	CNPH*4821A**	0.98	0.98	58MEB100-20
CNPH*4821A**	0.99	0.95	0.95	0.92	58MEB100-20	CNPH*6024A**	1.00	0.92	58MEB100-20	CNPH*6024A**	1.00	0.92	58MEB100-20
CNPH*6024A**	1.01	0.97	0.97	0.91	58MEB100-20	CSPH*4812A**	0.98	0.91	58MEB100-20	CSPH*4812A**	0.98	0.91	58MEB100-20
CNPV*4821A**	1.00	0.96	0.96	0.92	58MEB100-20	CSPH*6012A**	0.99	0.92	58MEB100-20	CSPH*6012A**	0.99	0.92	58MEB100-20
CNPV*4824A**	0.99	0.95	0.95	0.92	58MEB100-20	CAP**4821A**	0.98	0.92	58MEB100-20	CAP**4821A**	0.98	0.92	58MEB100-20
CNPV*6021A**	1.01	0.97	0.97	0.91	58MEB100-20	CAP**6021A**	1.00	0.92	58MEB100-20	CAP**6021A**	1.00	0.92	58MEB100-20
CNPV*6024A**	1.01	0.97	0.97	0.91	58MEB100-20	CNPV*4821A**	0.98	0.90	58MEB100-20	CNPV*4821A**	0.98	0.90	58MEB100-20
CSPH*4812A**	0.99	0.94	0.94	0.92	58MEB100-20	CNPV*6024A**	1.00	0.92	58MEB100-20	CNPV*6024A**	1.00	0.92	58MEB100-20
CSPH*6012A**	1.02	0.98	0.98	0.92	58MEB100-20	CNPH*4821A**	0.98	0.92	58MEB100-20	CNPH*4821A**	0.98	0.92	58MEB100-20
CAP**4817A**	0.98	0.94	0.94	0.98	58MEB120-20	CNPH*6024A**	1.00	0.92	58MEB120-20	CNPH*6024A**	1.00	0.92	58MEB120-20
CNPH*4821A**	0.98	0.90	0.90	0.92	58MEB120-20	CSPH*4812A**	0.98	0.92	58MEB120-20	CSPH*4812A**	0.98	0.92	58MEB120-20
CNPH*4824A**	0.98	0.90	0.90	0.92	58MEB120-20	CSPH*6012A**	0.98	0.92	58MEB120-20	CSPH*6012A**	0.98	0.92	58MEB120-20
CNPH*6024A**	1.00	0.92	0.92	0.92	58MEB120-20	CAP**4824A**	1.00	0.92	58MEB120-20	CAP**4824A**	1.00	0.92	58MEB120-20
CNPV*4812A**	0.99	0.95	0.95	0.92	58MEB120-20	CNPV*6024A**	1.00	0.92	58MEB120-20	CNPV*6024A**	1.00	0.92	58MEB120-20
CNPV*4821A**	0.98	0.94	0.94	0.92	58MEB120-20	CSPH*4812A**	0.98	0.92	58MEB120-20	CSPH*4812A**	0.98	0.92	58MEB120-20
CNPV*4824A**	0.99	0.95	0.95	0.92	58MEB120-20	CSPH*6012A**	0.98	0.92	58MEB120-20	CSPH*6012A**	0.98	0.92	58MEB120-20
CNPV*6021A**	1.01	0.97	0.97	0.91	58MEB120-20	CAP**4821A**	0.98	0.92	58MEB120-20	CAP**4821A**	0.98	0.92	58MEB120-20
CNPV*6024A**	1.01	0.97	0.97	0.91	58MEB120-20	CAP**6021A**	1.00	0.92	58MEB120-20	CAP**6021A**	1.00	0.92	58MEB120-20
CSPH*4812A**	0.99	0.94	0.94	0.92	58MEB120-20	CNPV*4821A**	0.98	0.90	58MEB120-20	CNPV*4821A**	0.98	0.90	58MEB120-20
CSPH*6012A**	1.02	0.98	0.98	0.92	58MEB120-20	CNPV*6024A**	1.00	0.92	58MEB120-20	CNPV*6024A**	1.00	0.92	58MEB120-20
CAP**4817A**	0.98	0.94	0.94	0.98	58MEB120-20	CNPH*4821A**	0.98	0.92	58MEB120-20	CNPH*4821A**	0.98	0.92	58MEB120-20
CNPH*4821A**	0.98	0.90	0.90	0.92	58MEB120-20	CNPH*6024A**	1.00	0.92	58MEB120-20	CNPH*6024A**	1.00	0.92	58MEB120-20
CNPH*4824A**	0.98	0.90	0.90	0.92	58MEB120-20	CSPH*4812A**	0.98	0.92	58MEB120-20	CSPH*4812A**	0.98	0.92	58MEB120-20
CNPH*6024A**	1.00	0.92	0.92	0.92	58MEB120-20	CSPH*6012A**	0.98	0.92	58MEB120-20	CSPH*6012A**	0.98	0.92	58MEB120-20
CNPV*4812A**	0.99	0.95	0.95	0.92	58MEB120-20	CAP**4824A**	1.00	0.92	58MEB120-20	CAP**4824A**	1.00	0.92	58MEB120-20
CNPV*4821A**	0.98	0.94	0.94	0.92	58MEB120-20	CNPV*6024A**	1.00	0.92	58MEB120-20	CNPV*6024A**	1.00	0.92	58MEB120-20
CNPV*4824A**	0.99	0.95	0.95	0.92	58MEB120-20	CSPH*4812A**	0.98	0.92	58MEB120-20	CSPH*4812A**	0.98	0.92	58MEB120-20
CNPV*6021A**	1.01	0.97	0.97	0.91	58MEB120-20	CSPH*6012A**	0.98	0.92	58MEB120-20	CSPH*6012A**	0.98	0.92	58MEB120-20
CNPV*6024A**	1.01	0.97	0.97	0.91	58MEB120-20	CAP**4821A**	0.98	0.92	58MEB120-20	CAP**4821A**	0.98	0.92	58MEB120-20
CSPH*4812A**	0.99	0.94	0.94	0.92	58MEB120-20	CAP**6021A**	1.00	0.92	58MEB120-20	CAP**6021A**	1.00	0.92	58MEB120-20
CSPH*6012A**	1.02	0.98	0.98	0.92	58MEB120-20	CNPV*4821A**	0.98	0.90	58MEB120-20	CNPV*4821A**	0.98	0.90	58MEB120-20
CAP**4817A**	0.98	0.94	0.94	0.98	58MEB120-20	CNPV*6024A**	1.00	0.92	58MEB120-20	CNPV*6024A**	1.00	0.92	58MEB120-20
CNPH*4821A**</													



# DETAILED COOLING CAPACITIES (CONT.)

38QRR048 Outdoor Section With FY4ANF048 Indoor Section

COOLING INDOOR MODEL	CAPACITY	POWER	FURNACE MODEL
CSPH*4812A**	0.99	0.91	58PH*110-20
CSPH*6012A**	1.00	0.92	58PH*110-20
CAP**4824A**	0.98	0.94	58PH*135-20
CAP**6024A**	1.00	0.92	58PH*135-20
CNPH*4821A**	0.98	0.94	58PH*135-20
CNPH*6024A**	1.00	0.92	58PH*135-20
CNPV*4824A**	1.00	0.92	58PH*135-20
CNPV*6024A**	1.00	0.92	58PH*135-20
CSPH*4812A**	0.99	0.91	58PH*135-20
CSPH*6012A**	1.00	0.92	58PH*135-20
CAP**4821A**	0.98	0.98	OVLAAB048112
CAP**6021A**	1.00	1.00	OVLAAB048112
CNPH*4821A**	0.98	0.98	OVLAAB048112
CNPH*6024A**	1.00	0.96	OVLAAB048112
CNPH*6124A**	1.00	0.96	OVLAAB048112
CNPV*4821A**	0.98	0.99	OVLAAB048112
CSPH*4812A**	0.99	0.99	OVLAAB048112
CSPH*6012A**	1.00	1.00	OVLAAB048112
CNPH*4821A**	1.00	0.96	OVLAAB060154
CNPH*6024A**	1.00	0.96	OVLAAB060154
CNPH*6124A**	1.00	0.96	OVLAAB060154
CSPH*4812A**	1.00	0.96	OVLAAB060154
CSPH*6012A**	1.00	0.96	OVLAAB060154
CNPH*4821A**	0.98	0.96	59*PSA080E17**16
CNPH*6024A**	1.00	0.96	59*PSA080E17**16
CNPV*4821A**	0.98	0.96	59*PSA080E17**16
CSPH*6012A**	1.00	0.94	59*PSA080E17**16
CAP**4821A**	0.98	0.94	59*PSA100E21**16
CAP**4823A**	0.98	0.94	59*PSA100E21**16
CAP**4824A**	1.00	0.96	59*PSA100E21**16
CAP**6021A**	1.00	0.96	59*PSA100E21**16
CAP**6024A**	1.00	0.96	59*PSA100E21**16
CAP**6025A**	1.00	0.96	59*PSA100E21**16
CNPH*4821A**	0.98	0.94	59*PSA100E21**16
CNPH*6024A**	1.00	0.96	59*PSA100E21**16
CNPV*4812A**	0.99	0.95	59*PSA100E21**16
CSPH*6012A**	1.00	0.93	59*PSA100E21**16
CAP**4823A**	0.98	0.94	59*PSA120E24**22
CAP**4824A**	1.00	0.95	59*PSA120E24**22
CAP**6024A**	0.99	0.95	59*PSA120E24**22
CAP**6025A**	1.00	0.93	59*PSA120E24**22
CNPH*4821A**	0.99	0.93	59*PSA120E24**22
CNPH*6024A**	1.00	0.93	59*PSA120E24**22
CNPV*4821A**	1.00	0.93	59*PSA120E24**22
CSPH*4812A**	0.99	0.92	59*PSA120E24**22
CSPH*6012A**	1.00	0.92	59*PSA120E24**22
CNPH*6124A**	1.00	0.92	59*PSA120E24**22
CNPV*4824A**	1.00	0.93	59*PSA120E24**22
CSPH*4812A**	0.99	0.92	59*PSA120E24**22
CSPH*6012A**	1.00	0.92	59*PSA120E24**22

See notes on pg. 50

# DETAILED COOLING CAPACITIES (CONT.)

Evaporator Air		CONDENSER ENTERING AIR TEMPERATURES °F (°C)																							
		75 (23.9)				85 (29.4)				95 (35)				105 (40.6)				115 (46.1)				125 (51.7)			
		Capacity MBtu/h†		Total System KW**		Capacity MBtu/h†		Total System KW**		Capacity MBtu/h†		Total System KW**		Capacity MBtu/h†		Total System KW**		Capacity MBtu/h†		Total System KW**		Capacity MBtu/h†		Total System KW**	
CFM	EWB °F (°C)	Total	Sens†	Total	Sens†	Total	Sens†	Total	Sens†	Total	Sens†	Total	Sens†	Total	Sens†	Total	Sens†	Total	Sens†	Total	Sens†	Total	Sens†		
1750	57 (13.9)	55.23	52.89	52.89	4.02	4.46	50.39	50.39	4.94	47.68	47.68	5.48	5.48	44.70	44.70	6.06	6.06	41.27	41.27	6.69	6.69	41.27	41.27	6.69	
	62 (16.7)	56.78	50.07	48.69	4.03	4.47	50.86	47.21	4.95	47.70	47.70	5.48	5.48	44.70	44.70	6.06	6.06	41.27	41.27	6.69	6.69	41.27	41.27	6.69	
	67 (19.4)	62.09	41.69	40.36	4.06	4.49	55.38	38.97	4.97	51.69	37.50	5.50	5.50	47.71	35.94	6.07	6.07	43.29	34.22	6.69	6.69	43.29	34.22	6.69	
	72 (22.2)	67.81	33.20	31.87	4.09	4.52	60.30	30.47	5.00	56.16	28.99	5.52	5.52	51.73	27.44	6.09	6.09	46.71	25.71	6.70	6.70	46.71	25.71	6.70	
	77 (13.9)	57.21	54.70	54.70	4.15	4.59	52.01	52.01	5.07	49.09	49.09	5.60	5.60	45.87	45.87	6.18	6.18	42.20	42.20	6.81	6.81	42.20	42.20	6.81	
2000	57 (16.7)	57.83	53.47	4.15	4.58	54.88	54.40	4.59	52.00	49.08	5.60	5.60	45.87	45.87	6.18	6.18	42.20	42.20	6.81	6.81	42.20	42.20	6.81		
	62 (19.4)	63.02	44.22	4.18	4.61	59.82	42.87	4.61	56.00	41.44	5.09	5.09	52.16	39.93	5.61	5.61	48.03	38.54	6.81	6.81	48.03	38.54	6.81		
	67 (19.4)	68.76	34.66	4.21	4.64	64.97	33.31	4.64	60.91	31.87	5.11	5.11	56.61	30.37	5.63	5.63	52.03	28.80	6.81	6.81	52.03	28.80	6.81		
	72 (22.2)	72.22	34.66	4.21	4.64	64.97	33.31	4.64	60.91	31.87	5.11	5.11	56.61	30.37	5.63	5.63	52.03	28.80	6.81	6.81	52.03	28.80	6.81		
	77 (13.9)	58.83	58.83	4.27	4.71	53.29	53.29	5.19	50.18	50.18	5.72	5.72	46.77	46.77	6.30	6.30	42.85	42.85	6.92	6.92	42.85	42.85	6.92		
2250	62 (16.7)	58.83	58.83	4.27	4.71	53.29	53.29	5.19	50.18	50.18	5.72	5.72	46.76	46.76	6.30	6.30	42.85	42.85	6.92	6.92	42.85	42.85	6.92		
	67 (19.4)	63.66	46.64	4.30	4.73	60.14	45.25	4.73	56.40	43.79	5.21	5.21	52.44	42.24	5.73	5.73	48.21	40.58	6.92	6.92	48.21	40.58	6.92		
	72 (22.2)	69.43	36.04	4.33	4.76	61.30	33.21	5.23	56.88	31.70	5.75	5.75	52.11	30.08	6.31	6.31	46.77	28.31	6.92	6.92	46.77	28.31	6.92		

38QRR060 Outdoor Section With F14ANF060 Indoor Section

COOLING INDOOR MODEL		CAPACITY		POWER	FURNACE MODEL		CAPACITY		POWER	FURNACE MODEL		COOLING INDOOR MODEL		CAPACITY		POWER	FURNACE MODEL	
		Total	Sens†		Total	Sens†	Total	Sens†		Total	Sens†	Total	Sens†	Total	Sens†			
*FV5BNB060		1.00		1.00				0.99	0.95	58MEB080-16			CNPV*6012A**		1.00			58HDV100-20
FE4ANB006		1.02		0.93				0.99	0.95	58MEB100-20			CSPH*6012A**		0.99			58HDV100-20
FV4BNB006		1.02		0.93				0.99	0.95	58MEB100-20			CAP**6021A**		0.98			58VLR120-20
FY4ANB006		1.00		1.00				0.99	0.95	58MEB100-20			CNPV*6012A**		0.98			58VLR120-20
FV4CNB.F060		1.03		0.94				0.99	0.95	58MEB120-20			CNPV*6024A**		0.99			58VLR120-20
40QAC(Q)060-3		1.01		0.93				0.99	0.95	58MEB120-20			CSPH*6012A**		0.99			58VLR120-20
CAP**6021A**		1.00		0.95				0.99	0.95	58MEB120-20			CAP**6021A**		0.99			58VLR120-20
CAP**6024A**		1.01		0.96				0.99	0.95	58MEB120-20			CNPV*6024A**		0.97			58VLR120-20
CAP**6025A**		1.00		0.95				0.99	0.95	58PH*090-16			CNPV*6024A**		0.97			58VLR120-20
CNPV*6024A**		1.01		0.96				0.99	0.95	58PH*090-16			CSPH*6012A**		0.99			58VLR120-20
CNPV*6024A**		1.01		0.96				1.00	0.95	58PH*110-20			CNPV*6024A**		0.99			58VLR120-20
CNPV*6024A**		1.01		0.96				0.99	0.95	58PH*110-20			CSPH*6012A**		0.99			58VLR120-20
CNPV*6024A**		1.01		0.96				0.99	0.95	58PH*110-20			CAP**6024A**		0.99			58VLR120-20
CNPV*6024A**		1.00		0.95				0.99	0.95	58PH*135-20			CNPV*6024A**		0.99			58VLR120-20
CNPV*6024A**		1.00		0.95				0.99	0.95	58PH*135-20			CNPV*6024A**		0.99			58VLR120-20
CNPV*6024A**		1.00		0.95				0.99	0.95	58PH*135-20			CNPV*6024A**		0.99			58VLR120-20
CNPV*6024A**		1.00		0.95				0.99	0.95	58PH*135-20			CNPV*6024A**		0.99			58VLR120-20
CNPV*6024A**		1.00		0.95				0.99	0.95	58PH*135-20			CNPV*6024A**		0.99			58VLR120-20
CNPV*6024A**		1.00		0.95				0.99	0.95	58PH*135-20			CNPV*6024A**		0.99			58VLR120-20
CNPV*6024A**		1.00		0.95				0.99	0.95	58PH*135-20			CNPV*6024A**		0.99			58VLR120-20
CNPV*6024A**		1.00		0.95				0.99	0.95	58PH*135-20			CNPV*6024A**		0.99			58VLR120-20
CNPV*6024A**		1.00		0.95				0.99	0.95	58PH*135-20			CNPV*6024A**		0.99			58VLR120-20
CNPV*6024A**		1.00		0.95				0.99	0.95	58PH*135-20			CNPV*6024A**		0.99			58VLR120-20
CNPV*6024A**		1.00		0.95				0.99	0.95	58PH*135-20			CNPV*6024A**		0.99			58VLR120-20
CNPV*6024A**		1.00		0.95				0.99	0.95	58PH*135-20			CNPV*6024A**		0.99			58VLR120-20
CNPV*6024A**		1.00		0.95				0.99	0.95	58PH*135-20			CNPV*6024A**		0.99			58VLR120-20
CNPV*6024A**		1.00		0.95				0.99	0.95	58PH*135-20			CNPV*6024A**		0.99			58VLR120-20
CNPV*6024A**		1.00		0.95				0.99	0.95	58PH*135-20			CNPV*6024A**		0.99			58VLR120-20
CNPV*6024A**		1.00		0.95				0.99	0.95	58PH*135-20			CNPV*6024A**		0.99			58VLR120-20
CNPV*6024A**		1.00		0.95				0.99	0.95	58PH*135-20			CNPV*6024A**		0.99			58VLR120-20
CNPV*6024A**		1.00		0.95				0.99	0.95	58PH*135-20			CNPV*6024A**		0.99			58VLR120-20
CNPV*6024A**		1.00		0.95				0.99	0.95	58PH*135-20			CNPV*6024A**		0.99			58VLR120-20
CNPV*6024A**		1.00		0.95				0.99	0.95	58PH*135-20			CNPV*6024A**		0.99			58VLR120-20
CNPV*6024A**		1.00		0.95				0.99	0.95	58PH*135-20			CNPV*6024A**		0.99			58VLR120-20
CNPV*6024A**		1.00		0.95				0.99	0.95	58PH*135-20			CNPV*6024A**		0.99			58VLR120-20
CNPV*6024A**		1.00		0.95				0.99	0.95	58PH*135-20			CNPV*6024A**		0.99			58VLR120-20
CNPV*6024A**		1.00		0.95				0.99	0.95	58PH*135-20			CNPV*6024A**		0.99			58VLR120-20
CNPV*6024A**		1.00		0.95				0.99	0.95	58PH*135-20			CNPV*6024A**		0.99			58VLR120-20
CNPV*6024A**		1.00		0.95				0.99	0.95	58PH*135-20			CNPV*6024A**		0.99			58VLR120-20
CNPV*6024A**		1.00		0.95				0.99	0.95	58PH*135-20			CNPV*6024A**		0.99			58VLR120-20
CNPV*6024A**		1.00		0.95				0.99	0.95	58PH*135-20			CNPV*6024A**		0.99			58VLR120-20
CNPV*6024A**		1.00		0.95				0.99	0.95	58PH*135-20			CNPV*6024A**		0.99			58VLR120-20
CNPV*6024A**		1.00		0.95				0.99	0.95	58PH*135-20			CNPV*6024A**		0.99			58VLR120-20
CNPV*6024A**		1.00		0.95				0.99	0.95	58PH*135-20			CNPV*6024A**		0.99			58VLR120-20
CNPV*6024A**		1.00		0.95				0.99	0.95	58PH*135-20			CNPV*6024A**		0.99			58VLR120-20
CNPV*6024A**		1.00		0.95				0.99	0.95	58PH*135-20			CNPV*6024A**		0.99			58VLR120-20
CNPV*6024A**		1.00		0.95				0.99	0.95	58PH*135-20			CNPV*6024A**		0.99			58VLR120-20
CNPV*6024A**		1.00		0.95				0.99	0.95	58PH*135-20								

# HEAT PUMP HEATING PERFORMANCE

INDOOR AIR		OUTDOOR COIL ENTERING AIR TEMPERATURES *F (°C)															
EDB *F (°C)	CFM	-3 (-19.4)		7 (-13.9)		17 (-8.3)		27 (-2.8)		37 (2.8)		47 (8.3)		57 (13.9)		67 (19.4)	
		Capacity MBtuh Total	Integ*	Capacity MBtuh Total	Integ*	Capacity MBtuh Total	Integ*	Capacity MBtuh Total	Integ*	Capacity MBtuh Total	Integ*	Capacity MBtuh Total	Integ*	Capacity MBtuh Total	Integ*	Capacity MBtuh Total	Integ*
65 (18.3)		6.23	5.73	8.15	7.49	10.20	9.30	12.54	11.14	15.17	13.81	18.09	16.09	21.35	18.35	24.96	21.35
		6.35	5.84	8.28	7.61	10.36	9.44	12.73	11.31	15.39	14.01	18.35	16.35	21.60	18.35	25.12	21.60
		6.45	5.94	8.38	7.71	10.50	9.57	12.89	11.45	15.59	14.18	18.56	16.56	21.73	18.56	25.15	21.73
70 (21.1)		5.94	5.47	7.88	7.24	9.95	9.08	12.24	10.87	14.86	13.52	17.74	15.74	20.95	17.74	24.58	20.95
		6.00	5.57	8.01	7.36	10.10	9.21	12.43	11.04	15.08	13.72	18.00	16.00	21.23	18.00	24.80	21.23
		6.16	5.67	8.12	7.47	10.23	9.33	12.59	11.19	15.26	13.89	18.19	16.19	21.41	18.19	24.89	21.41
75 (23.4)		5.63	5.18	7.61	6.99	9.69	8.84	11.94	10.60	14.55	13.24	17.39	15.39	20.54	17.39	24.18	20.54
		5.75	5.29	7.74	7.11	9.84	8.97	12.13	10.77	14.77	13.44	17.65	15.65	20.85	17.65	24.44	20.85
		5.85	5.39	7.86	7.22	10.00	9.17	12.29	10.92	14.95	13.60	17.86	15.86	21.06	17.86	24.58	21.06

HEATING INDOOR MODEL		CAPACITY		POWER		FURNACE MODEL	
Model	Capacity	Total	Integ*	Total	Integ*	Total	Integ*
*F4CNF018	1.00	1.00	0.98	OVLAAB036098			
FE4ANF002	1.01	0.98	OVLAAB036098				
FV4BNF002	1.01	0.98	OVLAAB036098				
F4XCNF018	1.00	1.00	0.97	OVLAAB036098			
F4XCNF024	1.00	1.00	0.97	OVLAAB036098			
4QJAC(Q)024-3	0.94	0.92	OVMAAB036098				
CAP**1814A**	0.98	1.05	58CV(A,X)090-16				
CAP**2414A**	1.00	1.02	58CV(A,X)070-12				
CNP**2417A**	1.00	1.00	58CV(A,X)070-12				
CNP**1814A**	1.00	1.02	58CV(A,X)070-12				
CNP**2414A**	1.00	1.00	58CV(A,X)070-12				
CSPH**2412A**	1.00	1.01	58CV(A,X)070-12				
CAP**2417A**	1.00	1.01	58CV(A,X)090-16				
CNP**2417A**	1.00	0.99	58CV(A,X)090-16				
CNP**2417A**	1.00	0.99	58CV(A,X)090-16				
CSPH**2412A**	1.00	1.00	58CV(A,X)090-16				
CNP**2417A**	1.00	0.96	58HDV040-12				
CNP**2417A**	1.00	0.96	58HDV040-12				
CSPH**2412A**	1.00	0.95	58HDV060-12				
CNP**2417A**	1.00	0.96	58HDV060-12				
CNP**2417A**	1.00	0.95	58MEB040-12				
CNP**2417A**	1.00	0.94	58MEB040-12				
CNP**2417A**	1.00	0.94	58MEB040-12				
CSPH**2412A**	1.00	0.96	58MEB040-12				
CAP**2417A**	1.00	0.96	58MEB060-12				
CNP**2417A**	1.00	0.97	58MEB060-12				
CNP**2417A**	1.00	0.97	58MEB060-12				
CSPH**2412A**	1.00	0.99	58MEB060-12				
CAP**2417A**	1.00	1.01	58MV(B,C)060-14				
CNP**2417A**	1.00	0.99	58MV(B,C)060-14				
CNP**2417A**	1.00	0.99	58MV(B,C)060-14				
CSPH**2412A**	1.00	1.00	58MV(B,C)060-14				
CNP**2417A**	1.00	1.00	58MV(B,C)080-14				
CSPH**2412A**	1.00	1.01	58MV(B,C)080-14				
CNP**2417A**	1.00	1.00	58MV(B,C)080-14				
CSPH**2412A**	1.00	1.00	58MV(B,C)080-14				
CAP**1814A**	0.98	1.00	58PH*045-08				
CAP**2414A**	1.00	0.98	58PH*045-08				
CNP**2417A**	1.00	0.97	58PH*045-08				
CNP**1814A**	0.98	1.00	58PH*045-08				
CNP**2414A**	1.00	0.97	58PH*045-08				
CSPH**2412A**	1.00	0.98	58PH*045-08				

HEATING INDOOR MODEL		CAPACITY		POWER		FURNACE MODEL	
Model	Capacity	Total	Integ*	Total	Integ*	Total	Integ*
CAP**2417A**	1.00	1.00	0.97	OVLAAB036098			
CNP**2417A**	1.00	0.97	OVLAAB036098				
CNP**1917A**	1.00	0.95	OVLAAB036098				
CSPH**2412A**	1.00	0.98	OVLAAB036098				
CAP**2417A**	1.00	0.97	OVMAAB036098				
CNP**2417A**	1.00	0.96	OVMAAB036098				
CNP**1917A**	1.00	0.84	OVMAAB036098				
CNP**2417A**	1.00	0.96	OVMAAB036098				
CSPH**2412A**	1.00	0.96	OVMAAB036098				
CAP**2417A**	1.00	1.01	59*N*A060V17**14				
CNP**2417A**	1.00	1.01	59*N*A060V17**14				
CNP**1917A**	1.00	0.98	59*N*A060V17**14				
CNP**2417A**	1.00	1.00	59*N*A060V17**14				
CSPH**2412A**	1.00	1.01	59*N*A060V17**14				
CAP**2417A**	0.99	1.01	59*N*A080V17**14				
CNP**2417A**	1.00	1.01	59*N*A080V17**14				
CNP**1917A**	1.00	0.99	59*N*A080V17**14				
CNP**2417A**	1.00	1.01	59*N*A080V17**14				
CSPH**2412A**	1.00	1.01	59*N*A080V17**14				

See notes on pg. 60



# HEAT PUMP HEATING PERFORMANCE (CONT.)

INDOOR AIR		OUTDOOR COIL ENTERING AIR TEMPERATURES *F (°C)																							
EDB *F (°C)	CFM	-3 (-19.4)		7 (-13.9)		17 (-8.3)		27 (-2.8)		37 (2.8)		47 (8.3)		57 (13.9)		67 (19.4)									
		Capacity MBtuh	Total Sp. Kw/Integ*	Capacity MBtuh	Total Sp. Kw/Integ*	Capacity MBtuh	Total Sp. Kw/Integ*	Capacity MBtuh	Total Sp. Kw/Integ*	Capacity MBtuh	Total Sp. Kw/Integ*	Capacity MBtuh	Total Sp. Kw/Integ*	Capacity MBtuh	Total Sp. Kw/Integ*	Capacity MBtuh	Total Sp. Kw/Integ*								
65 (18.9)	700	9.57	8.81	1.60	12.07	11.10	1.64	14.70	13.41	1.67	17.48	15.53	1.71	20.55	18.70	1.77	24.05	21.84	1.84	28.04	26.04	1.93	32.57	30.57	2.01
	800	9.77	8.99	1.61	12.29	11.29	1.65	14.92	13.80	1.67	17.73	15.75	1.71	20.86	18.99	1.75	24.42	24.42	1.81	28.50	28.50	1.89	32.95	32.95	1.96
	900	9.95	9.16	1.64	12.48	11.47	1.66	15.13	13.79	1.68	17.94	15.94	1.71	21.14	19.23	1.74	24.73	24.73	1.80	28.85	28.85	1.87	33.18	33.18	1.93
70 (21.1)	700	9.18	8.44	1.67	11.73	10.78	1.73	14.38	13.11	1.76	17.18	15.26	1.81	20.17	18.35	1.86	23.64	23.64	1.90	27.55	27.55	1.97	32.04	32.04	2.13
	800	9.40	8.64	1.69	11.96	10.99	1.73	14.60	13.31	1.77	17.43	15.48	1.80	20.48	18.64	1.85	24.00	24.00	1.91	28.00	28.00	1.99	32.52	32.52	2.07
	900	9.58	8.81	1.72	12.15	11.17	1.75	14.81	13.50	1.78	17.65	15.68	1.80	20.75	18.89	1.84	24.31	24.31	1.90	28.37	28.37	1.97	32.79	32.79	2.03
75 (23.4)	700	8.77	8.07	1.75	11.37	10.45	1.81	14.02	12.79	1.86	16.84	14.96	1.91	19.84	18.06	1.97	23.24	23.24	2.04	27.07	27.07	2.14	31.49	31.49	2.26
	800	8.97	8.25	1.77	11.59	10.65	1.82	14.26	13.00	1.86	17.10	15.19	1.90	20.23	18.41	1.95	23.59	23.59	2.01	27.51	27.51	2.10	32.01	32.01	2.18
	900	9.16	8.42	1.80	11.79	10.84	1.84	14.50	13.22	1.87	17.35	15.41	1.90	20.37	18.54	1.94	23.89	23.89	2.00	27.88	27.88	2.08	32.37	32.37	2.14

38QRR024 Outdoor Section With FY4ANF024 Indoor Section

HEATING INDOOR MODEL		CAPACITY	POWER	FURNACE MODEL		HEATING INDOOR MODEL		CAPACITY	POWER	FURNACE MODEL		HEATING INDOOR MODEL		CAPACITY	POWER	FURNACE MODEL	
Capacity MBtuh	Total Sp. Kw/Integ*	Capacity MBtuh	Total Sp. Kw/Integ*	Capacity MBtuh	Total Sp. Kw/Integ*	Capacity MBtuh	Total Sp. Kw/Integ*	Capacity MBtuh	Total Sp. Kw/Integ*	Capacity MBtuh	Total Sp. Kw/Integ*	Capacity MBtuh	Total Sp. Kw/Integ*	Capacity MBtuh	Total Sp. Kw/Integ*	Capacity MBtuh	Total Sp. Kw/Integ*
*FY4ANF024	1.00	1.00	0.99	FY4ANF024	FY4ANF024	CSPH*2412A**	CSPH*2412A**	0.98	0.92	56CV(A,X)090-16	56CV(A,X)090-16	CSPH*2412A**	CSPH*2412A**	0.98	0.90	58MV(B,C)060-14	58MV(B,C)060-14
FE4AN(B,F)003	0.98	0.98	0.99	FE4AN(B,F)003	FE4AN(B,F)003	CSPH*2412A**	CSPH*2412A**	0.98	0.92	58CV(A,X)110-20	58CV(A,X)110-20	CSPH*2412A**	CSPH*2412A**	0.98	0.90	58MV(B,C)060-14	58MV(B,C)060-14
FE4ANF002	0.98	0.98	0.99	FE4ANF002	FE4ANF002	CSPH*2412A**	CSPH*2412A**	0.98	0.92	58CV(A,X)110-20	58CV(A,X)110-20	CSPH*2412A**	CSPH*2412A**	0.98	0.90	58MV(B,C)060-14	58MV(B,C)060-14
FE5ANB004	0.98	0.98	0.92	FE5ANB004	FE5ANB004	CSPH*2412A**	CSPH*2412A**	0.98	0.92	58CV(A,X)110-20	58CV(A,X)110-20	CSPH*2412A**	CSPH*2412A**	0.98	0.90	58MV(B,C)060-14	58MV(B,C)060-14
FF1ENP024	1.00	1.00	1.00	FF1ENP024	FF1ENP024	CSPH*2412A**	CSPH*2412A**	0.98	0.92	58CV(A,X)110-20	58CV(A,X)110-20	CSPH*2412A**	CSPH*2412A**	0.98	0.92	58MV(B,C)060-14	58MV(B,C)060-14
FF1ENP030	1.00	1.00	0.99	FF1ENP030	FF1ENP030	CSPH*2412A**	CSPH*2412A**	0.98	0.91	58CV(A,X)135-22	58CV(A,X)135-22	CSPH*2412A**	CSPH*2412A**	0.98	0.93	58MV(B,C)080-14	58MV(B,C)080-14
FV4BN(B,F)003	0.98	0.98	0.99	FV4BN(B,F)003	FV4BN(B,F)003	CSPH*2412A**	CSPH*2412A**	0.98	0.92	58CV(A,X)135-22	58CV(A,X)135-22	CSPH*2412A**	CSPH*2412A**	0.98	0.92	58MV(B,C)080-14	58MV(B,C)080-14
FV4BNF002	0.98	0.98	0.99	FV4BNF002	FV4BNF002	CSPH*2412A**	CSPH*2412A**	0.98	0.91	58CV(A,X)135-22	58CV(A,X)135-22	CSPH*2412A**	CSPH*2412A**	0.98	0.92	58MV(B,C)080-14	58MV(B,C)080-14
FX4CNF024	0.98	0.98	0.93	FX4CNF024	FX4CNF024	CSPH*2412A**	CSPH*2412A**	0.98	0.92	58CV(A,X)135-22	58CV(A,X)135-22	CSPH*2412A**	CSPH*2412A**	0.98	0.93	58MV(B,C)080-20	58MV(B,C)080-20
FX4CNF030	0.99	0.99	0.90	FX4CNF030	FX4CNF030	CSPH*2412A**	CSPH*2412A**	0.98	0.91	58CV(A,X)155-22	58CV(A,X)155-22	CSPH*2412A**	CSPH*2412A**	0.98	0.94	58MV(B,C)080-20	58MV(B,C)080-20
FY4ANF024	1.00	1.00	1.00	FY4ANF024	FY4ANF024	CSPH*2412A**	CSPH*2412A**	0.98	0.92	58CV(A,X)155-22	58CV(A,X)155-22	CSPH*2412A**	CSPH*2412A**	0.98	0.93	58MV(B,C)080-20	58MV(B,C)080-20
FY4ANF030	1.00	1.00	0.97	FY4ANF030	FY4ANF030	CSPH*2412A**	CSPH*2412A**	0.98	0.91	58CV(A,X)155-22	58CV(A,X)155-22	CSPH*2412A**	CSPH*2412A**	0.98	0.94	58MV(B,C)080-20	58MV(B,C)080-20
40QAC(Q)024-3	0.99	0.99	0.93	40QAC(Q)024-3	40QAC(Q)024-3	CSPH*2412A**	CSPH*2412A**	0.98	0.92	58CV(A,X)155-22	58CV(A,X)155-22	CSPH*2412A**	CSPH*2412A**	0.98	0.92	58MV(B,C)100-20	58MV(B,C)100-20
CAP**2414A**	1.00	1.00	0.98	CAP**2414A**	CAP**2414A**	CAP**2414A**	CAP**2414A**	0.98	0.89	58MEB040-12	58MEB040-12	CAP**2414A**	CAP**2414A**	0.98	0.93	58MV(B,C)100-20	58MV(B,C)100-20
CAP**2417A**	1.00	1.00	0.98	CAP**2417A**	CAP**2417A**	CAP**2417A**	CAP**2417A**	0.98	0.88	58MEB040-12	58MEB040-12	CAP**2417A**	CAP**2417A**	0.98	0.91	58MV(B,C)100-20	58MV(B,C)100-20
CAP**3014A**	1.02	1.02	0.99	CAP**3014A**	CAP**3014A**	CAP**3014A**	CAP**3014A**	0.98	0.89	58MEB040-12	58MEB040-12	CAP**3014A**	CAP**3014A**	0.98	0.92	58MV(B,C)100-20	58MV(B,C)100-20
CAP**3017A**	1.02	1.02	0.99	CAP**3017A**	CAP**3017A**	CAP**3017A**	CAP**3017A**	0.98	0.88	58MEB040-12	58MEB040-12	CAP**3017A**	CAP**3017A**	0.98	0.91	58MV(B,C)120-20	58MV(B,C)120-20
CNPV*2418A**	1.00	1.00	0.96	CNPV*2418A**	CNPV*2418A**	CNPV*2418A**	CNPV*2418A**	0.98	0.89	58MEB040-12	58MEB040-12	CNPV*2418A**	CNPV*2418A**	0.98	0.91	58MV(B,C)120-20	58MV(B,C)120-20
CNPV*2417A**	1.00	1.00	0.96	CNPV*2417A**	CNPV*2417A**	CNPV*2417A**	CNPV*2417A**	0.98	0.88	58MEB040-12	58MEB040-12	CNPV*2417A**	CNPV*2417A**	0.98	0.91	58MV(B,C)120-20	58MV(B,C)120-20
CNPV*3017A**	1.02	1.02	0.99	CNPV*3017A**	CNPV*3017A**	CNPV*3017A**	CNPV*3017A**	0.98	0.89	58MEB040-12	58MEB040-12	CNPV*3017A**	CNPV*3017A**	0.98	0.92	58MV(B,C)120-20	58MV(B,C)120-20
CSPH*2412A**	1.00	1.00	0.95	CSPH*2412A**	CSPH*2412A**	CSPH*2412A**	CSPH*2412A**	0.98	0.88	58MEB060-12	58MEB060-12	CSPH*2412A**	CSPH*2412A**	0.98	0.92	58MV(B,C)120-20	58MV(B,C)120-20
CSPH*3012A**	1.02	1.02	0.99	CSPH*3012A**	CSPH*3012A**	CSPH*3012A**	CSPH*3012A**	0.98	0.89	58MEB060-12	58MEB060-12	CSPH*3012A**	CSPH*3012A**	0.98	0.91	58MV(B,C)120-20	58MV(B,C)120-20
CAP**2414A**	0.98	0.98	0.94	CAP**2414A**	CAP**2414A**	58CV(A,X)070-12	58CV(A,X)070-12	0.98	0.88	58MEB060-12	58MEB060-12	CAP**2414A**	CAP**2414A**	0.98	0.92	58MV(B,C)120-20	58MV(B,C)120-20
CAP**3014A**	0.98	0.98	0.94	CAP**3014A**	CAP**3014A**	58CV(A,X)070-12	58CV(A,X)070-12	0.98	0.89	58MEB060-12	58MEB060-12	CAP**3014A**	CAP**3014A**	0.98	0.91	58MV(B,C)120-20	58MV(B,C)120-20
CNPV*2417A**	0.98	0.98	0.92	CNPV*2417A**	CNPV*2417A**	58CV(A,X)070-12	58CV(A,X)070-12	0.98	0.88	58MEB060-12	58MEB060-12	CNPV*2417A**	CNPV*2417A**	0.98	0.91	58MV(B,C)120-20	58MV(B,C)120-20
CNPV*3017A**	0.98	0.98	0.93	CNPV*3017A**	CNPV*3017A**	58CV(A,X)070-12	58CV(A,X)070-12	0.98	0.89	58MEB060-12	58MEB060-12	CNPV*3017A**	CNPV*3017A**	0.98	0.92	58MV(B,C)120-20	58MV(B,C)120-20
CNPV*2414A**	0.98	0.98	0.92	CNPV*2414A**	CNPV*2414A**	58CV(A,X)070-12	58CV(A,X)070-12	0.98	0.89	58MEB060-12	58MEB060-12	CNPV*2414A**	CNPV*2414A**	0.98	0.91	58MV(B,C)120-20	58MV(B,C)120-20
CNPV*3014A**	0.98	0.98	0.94	CNPV*3014A**	CNPV*3014A**	58CV(A,X)070-12	58CV(A,X)070-12	0.98	0.89	58MEB060-12	58MEB060-12	CNPV*3014A**	CNPV*3014A**	0.98	0.92	58MV(B,C)120-20	58MV(B,C)120-20
CSPH*2412A**	0.98	0.98	0.92	CSPH*2412A**	CSPH*2412A**	58CV(A,X)070-12	58CV(A,X)070-12	0.98	0.88	58MEB060-12	58MEB060-12	CSPH*2412A**	CSPH*2412A**	0.98	0.91	58MV(B,C)120-20	58MV(B,C)120-20
CSPH*3012A**	0.98	0.98	0.93	CSPH*3012A**	CSPH*3012A**	58CV(A,X)070-12	58CV(A,X)070-12	0.98	0.89	58MEB060-12	58MEB060-12	CSPH*3012A**	CSPH*3012A**	0.98	0.92	58MV(B,C)120-20	58MV(B,C)120-20
CAP**2417A**	0.98	0.98	0.93	CAP**2417A**	CAP**2417A**	58CV(A,X)090-16	58CV(A,X)090-16	0.98	0.89	58MEB060-12	58MEB060-12	CAP**2417A**	CAP**2417A**	0.98	0.91	58MV(B,C)060-14	58MV(B,C)060-14
CAP**3017A**	0.98	0.98	0.93	CAP**3017A**	CAP**3017A**	58CV(A,X)090-16	58CV(A,X)090-16	0.98	0.90	58MEB060-12	58MEB060-12	CAP**3017A**	CAP**3017A**	0.98	0.92	58MV(B,C)060-14	58MV(B,C)060-14
CNPV*2417A**	0.98	0.98	0.91	CNPV*2417A**	CNPV*2417A**	58CV(A,X)090-16	58CV(A,X)090-16	0.98	0.90	58MEB060-12	58MEB060-12	CNPV*2417A**	CNPV*2417A**	0.98	0.91	58MV(B,C)060-14	58MV(B,C)060-14
CNPV*3017A**	0.98	0.98	0.92	CNPV*3017A**	CNPV*3017A**	58CV(A,X)090-16	58CV(A,X)090-16	0.98	0.91	58MEB060-12	58MEB060-12	CNPV*3017A**	CNPV*3017A**	0.98	0.92	58MV(B,C)060-14	58MV(B,C)060-14
CSPH*2412A**	0.98	0.98	0.92	CSPH*2412A**	CSPH*2412A**	58CV(A,X)090-16	58CV(A,X)090-16	0.98	0.89	58MEB060-12	58MEB060-12	CSPH*2412A**	CSPH*2412A**	0.98	0.90	58MV(B,C)060-14	58MV(B,C)060-14
CSPH*3012A**	0.98	0.98	0.93	CSPH*3012A**	CSPH*3012A**	58CV(A,X)090-16	58CV(A,X)090-16	0.98	0.90	58MEB060-12							



# HEAT PUMP HEATING PERFORMANCE (CONT.)

INDOOR AIR		OUTDOOR COIL ENTERING AIR TEMPERATURES *F (°C)																							
		-3 (-19.4)			7 (-13.9)			17 (-8.3)			27 (-2.8)			37 (2.8)			47 (8.3)			57 (13.9)			67 (19.4)		
EDB *F (°C)	CFM	Capacity MBtuh		Total Swh KWh	Capacity MBtuh		Total Swh KWh	Capacity MBtuh		Total Swh KWh	Capacity MBtuh		Total Swh KWh	Capacity MBtuh		Total Swh KWh	Capacity MBtuh		Total Swh KWh	Capacity MBtuh		Total Swh KWh	Capacity MBtuh		Total Swh KWh
		Total	Integ*		Total	Integ*		Total	Integ*		Total	Integ*		Total	Integ*		Total	Integ*		Total	Integ*		Total	Integ*	
65 (18.9)	875	11.35	10.44	2.08	14.36	13.20	2.09	15.97	14.84	2.10	18.57	17.52	2.10	24.53	22.32	2.11	28.67	28.67	2.15	33.12	33.12	2.19	38.07	38.07	2.25
	1000	11.60	10.68	2.11	14.63	13.44	2.10	17.82	16.25	2.10	21.21	18.84	2.09	24.90	22.66	2.10	29.11	29.11	2.12	33.65	33.65	2.16	38.68	38.68	2.21
	1125	11.83	10.89	2.14	14.87	13.67	2.13	18.08	16.48	2.11	21.49	19.09	2.10	25.25	22.98	2.10	29.48	29.48	2.12	34.09	34.09	2.15	39.18	39.18	2.19
70 (21.1)	875	10.86	9.99	2.17	13.91	12.78	2.18	17.10	15.59	2.19	20.49	18.20	2.20	24.07	22.2	2.22	28.17	28.17	2.25	32.56	32.56	2.29	37.41	37.41	2.35
	1000	11.11	10.22	2.20	14.19	13.04	2.20	17.40	15.86	2.20	20.82	18.49	2.20	24.44	22.24	2.20	28.60	28.60	2.23	33.08	33.08	2.26	38.03	38.03	2.31
	1125	11.35	10.44	2.23	14.43	13.26	2.22	17.65	16.09	2.21	21.08	18.73	2.20	24.77	22.54	2.20	28.97	28.97	2.22	33.50	33.50	2.25	38.53	38.53	2.29
75 (23.4)	875	10.33	9.51	2.26	13.43	12.34	2.28	16.65	15.18	2.29	20.05	17.81	2.31	23.64	21.51	2.33	27.58	27.58	2.36	31.99	31.99	2.40	36.77	36.77	2.46
	1000	10.58	9.74	2.29	13.71	12.59	2.30	16.96	15.46	2.30	20.37	18.09	2.30	23.99	21.83	2.31	28.10	28.10	2.34	32.51	32.51	2.37	37.38	37.38	2.42
	1125	10.82	9.96	2.32	13.95	12.82	2.32	17.21	15.69	2.32	20.68	18.37	2.31	24.31	22.12	2.31	28.47	28.47	2.33	32.94	32.94	2.35	37.88	37.88	2.39

HEATING INDOOR MODEL		CAPACITY		POWER		FURNACE MODEL	
Model	Capacity	Power	Model	Capacity	Power	Model	Capacity
*F4ACNF030	1.00	1.00	56CV(A,X)090-16	0.98	0.95	56CV(A,X)090-16	0.98
FE4AN(B,F)003	0.98	0.92	58CV(A,X)090-16	0.98	0.93	58CV(A,X)090-16	0.98
FE4AN(B,F)005	0.99	0.98	56CV(A,X)090-16	0.98	0.92	56CV(A,X)090-16	0.98
FE4ANF002	0.98	0.93	58CV(A,X)110-20	0.98	0.94	58CV(A,X)110-20	0.98
FE5ANB004	0.99	0.96	56CV(A,X)110-20	0.98	0.95	56CV(A,X)110-20	0.98
FF1ENP030	1.00	1.01	56CV(A,X)135-22	0.98	0.94	56CV(A,X)135-22	0.98
FF1ENP036	1.00	1.00	58CV(A,X)135-22	0.98	0.94	58CV(A,X)135-22	0.98
FV4BN(B,F)003	0.98	0.92	56CV(A,X)155-22	0.98	0.94	56CV(A,X)155-22	0.98
FV4BN(B,F)005	0.99	0.98	58CV(A,X)155-22	0.98	0.94	58CV(A,X)155-22	0.98
FV4BNF002	0.98	0.93	56CV(A,X)155-22	0.98	0.91	56CV(A,X)155-22	0.98
FV4BNF036	0.99	0.94	58CV(A,X)155-22	0.98	0.91	58CV(A,X)155-22	0.98
FV4ACNF030	0.99	0.94	56CV(A,X)090-16	0.98	0.95	56CV(A,X)090-16	0.98
FV4ANF030	1.00	1.00	58CV(A,X)090-16	0.98	0.95	58CV(A,X)090-16	0.98
FV4ANF036	1.01	1.01	56CV(A,X)110-20	0.98	0.94	56CV(A,X)110-20	0.98
4QAC(Q)036-3	1.00	0.97	58CV(A,X)110-20	0.98	0.94	58CV(A,X)110-20	0.98
CAP**3014A**	1.00	1.00	56CV(A,X)135-22	0.98	0.94	56CV(A,X)135-22	0.98
CAP**3017A**	1.00	1.00	58CV(A,X)135-22	0.98	0.94	58CV(A,X)135-22	0.98
CAP**3614A**	1.00	0.99	56CV(A,X)040-12	0.98	0.93	56CV(A,X)040-12	0.98
CAP**3617A**	1.00	0.99	58CV(A,X)040-12	0.98	0.93	58CV(A,X)040-12	0.98
CAP**3621A**	1.00	0.99	56CV(A,X)060-12	0.98	0.93	56CV(A,X)060-12	0.98
CNP**3618A**	1.00	1.00	58CV(A,X)060-12	0.98	0.94	58CV(A,X)060-12	0.98
CNP**3017A**	1.00	1.00	56CV(A,X)080-14	0.98	0.93	56CV(A,X)080-14	0.98
CNP**3617A**	1.00	1.00	58CV(A,X)080-14	0.98	0.93	58CV(A,X)080-14	0.98
CNPV**3014A**	1.00	1.00	56CV(A,X)100-20	0.98	0.93	56CV(A,X)100-20	0.98
CNPV**3017A**	1.00	1.00	58CV(A,X)100-20	0.98	0.93	58CV(A,X)100-20	0.98
CNPV**3617A**	1.00	1.00	56CV(A,X)120-20	0.98	0.93	56CV(A,X)120-20	0.98
CNPV**3617A**	1.00	1.00	58CV(A,X)120-20	0.98	0.93	58CV(A,X)120-20	0.98
CNPV**3621A**	1.00	1.00	56CV(A,X)140-20	0.98	0.92	56CV(A,X)140-20	0.98
CNPV**3621A**	1.00	0.99	58CV(A,X)140-20	0.98	0.92	58CV(A,X)140-20	0.98
CNPV**3621A**	1.00	0.96	56CV(A,X)160-20	0.98	0.93	56CV(A,X)160-20	0.98
CNPV**3621A**	1.00	0.96	58CV(A,X)160-20	0.98	0.93	58CV(A,X)160-20	0.98
CNPV**3621A**	1.00	0.96	56CV(A,X)180-20	0.98	0.93	56CV(A,X)180-20	0.98
CNPV**3621A**	1.00	0.96	58CV(A,X)180-20	0.98	0.93	58CV(A,X)180-20	0.98
CNPV**3621A**	1.00	0.96	56CV(A,X)200-20	0.98	0.93	56CV(A,X)200-20	0.98
CNPV**3621A**	1.00	0.96	58CV(A,X)200-20	0.98	0.93	58CV(A,X)200-20	0.98
CNPV**3621A**	1.00	0.96	56CV(A,X)220-20	0.98	0.93	56CV(A,X)220-20	0.98
CNPV**3621A**	1.00	0.96	58CV(A,X)220-20	0.98	0.93	58CV(A,X)220-20	0.98

HEATING INDOOR MODEL		CAPACITY		POWER		FURNACE MODEL	
Model	Capacity	Power	Model	Capacity	Power	Model	Capacity
CAP**3017A**	0.98	0.92	56CV(A,X)090-16	0.98	0.95	56CV(A,X)090-16	0.98
CAP**3617A**	0.92	0.93	58CV(A,X)090-16	0.98	0.93	58CV(A,X)090-16	0.98
CNP**3017A**	0.98	0.93	56CV(A,X)090-16	0.98	0.92	56CV(A,X)090-16	0.98
CNP**3617A**	0.99	0.94	58CV(A,X)110-20	0.98	0.95	58CV(A,X)110-20	0.98
CNPV**3017A**	0.98	0.93	56CV(A,X)110-20	0.98	0.95	56CV(A,X)110-20	0.98
CNPV**3617A**	0.99	0.94	58CV(A,X)135-22	0.98	0.95	58CV(A,X)135-22	0.98
CSPH**3012A**	0.98	0.94	56CV(A,X)135-22	0.98	0.94	56CV(A,X)135-22	0.98
CSPH**3612A**	0.98	0.94	58CV(A,X)155-22	0.98	0.94	58CV(A,X)155-22	0.98
CAP**3017A**	0.98	0.93	56CV(A,X)155-22	0.98	0.91	56CV(A,X)155-22	0.98
CAP**3621A**	0.98	0.93	58CV(A,X)155-22	0.98	0.91	58CV(A,X)155-22	0.98
CNP**3017A**	0.98	0.94	56CV(A,X)040-12	0.98	0.93	56CV(A,X)040-12	0.98
CNP**3617A**	0.99	0.94	58CV(A,X)040-12	0.98	0.93	58CV(A,X)040-12	0.98
CSPH**3012A**	0.98	0.93	56CV(A,X)060-12	0.98	0.93	56CV(A,X)060-12	0.98
CSPH**3612A**	0.98	0.93	58CV(A,X)060-12	0.98	0.93	58CV(A,X)060-12	0.98
CAP**3017A**	0.98	0.94	56CV(A,X)080-14	0.98	0.94	56CV(A,X)080-14	0.98
CAP**3621A**	0.98	0.94	58CV(A,X)080-14	0.98	0.94	58CV(A,X)080-14	0.98
CNP**3017A**	0.98	0.94	56CV(A,X)100-20	0.98	0.94	56CV(A,X)100-20	0.98
CNP**3617A**	0.98	0.94	58CV(A,X)100-20	0.98	0.94	58CV(A,X)100-20	0.98
CSPH**3012A**	0.98	0.94	56CV(A,X)120-20	0.98	0.94	56CV(A,X)120-20	0.98
CSPH**3612A**	0.98	0.94	58CV(A,X)120-20	0.98	0.94	58CV(A,X)120-20	0.98
CAP**3017A**	0.98	0.94	56CV(A,X)140-20	0.98	0.94	56CV(A,X)140-20	0.98
CAP**3621A**	0.98	0.94	58CV(A,X)140-20	0.98	0.94	58CV(A,X)140-20	0.98
CNP**3017A**	0.98	0.94	56CV(A,X)160-20	0.98	0.94	56CV(A,X)160-20	0.98
CNP**3617A**	0.98	0.94	58CV(A,X)160-20	0.98	0.94	58CV(A,X)160-20	0.98
CSPH**3012A**	0.98	0.94	56CV(A,X)180-20	0.98	0.94	56CV(A,X)180-20	0.98
CSPH**3612A**	0.98	0.94	58CV(A,X)180-20	0.98	0.94	58CV(A,X)180-20	0.98
CAP**3017A**	0.98	0.94	56CV(A,X)200-20	0.98	0.94	56CV(A,X)200-20	0.98
CAP**3621A**	0.98	0.94	58CV(A,X)200-20	0.98	0.94	58CV(A,X)200-20	0.98
CNP**3017A**	0.98	0.94	56CV(A,X)220-20	0.98	0.94	56CV(A,X)220-20	0.98
CNP**3617A**	0.98	0.94	58CV(A,X)220-20	0.98	0.94	58CV(A,X)220-20	0.98

# HEAT PUMP HEATING PERFORMANCE (CONT.)

38QR030 Outdoor Section With F4YANF030 Indoor Section

HEATING INDOOR MODEL	CAPACITY	POWER	FURNACE MODEL	HEATING INDOOR MODEL	CAPACITY	POWER	FURNACE MODEL
CAP**3017A**	0.98	0.95	58PH*070-16	CAP**3017A**	0.98	1.00	59N*A060V17**14
CAP**3617A**	0.99	0.96	58PH*070-16	CAP**3617A**	0.98	0.99	59N*A060V17**14
CNP**3017A**	0.98	0.95	58PH*070-16	CAP**3619A**	0.98	0.99	59N*A060V17**14
CNP**3617A**	0.99	0.97	58PH*070-16	CAP**3621A**	0.98	0.99	59N*A060V17**14
CNPV*3017A**	0.98	0.95	58PH*070-16	CNP**3017A**	0.99	1.01	59N*A060V17**14
CNPV*3617A**	0.99	0.97	58PH*070-16	CNP**3117A**	0.98	0.98	59N*A060V17**14
CSPH*3012A**	0.98	0.95	58PH*070-16	CNPV*3017A**	0.99	1.01	59N*A060V17**14
CSPH*3612A**	0.99	0.93	58PH*070-16	CNPV*3117A**	0.99	1.01	59N*A060V17**14
CAP**3621A**	0.99	0.93	58PH*090-16	CNPV*3617A**	0.99	0.98	59N*A060V17**14
CNP**3017A**	0.98	0.94	58PH*090-16	CNPV*3621A**	0.99	1.01	59N*A060V17**14
CNP**3617A**	0.99	0.95	58PH*090-16	CNPV*3621A**	0.99	1.01	59N*A060V17**14
CNPV*3017A**	0.98	0.95	58PH*090-16	CNPV*3621A**	1.00	0.97	59N*A060V17**14
CNPV*3617A**	0.99	0.95	58PH*090-16	CSPH*3012A**	0.99	1.00	59N*A060V17**14
CSPH*3012A**	0.98	0.95	58PH*090-16	CSPH*3612A**	0.99	0.99	59N*A060V17**14
CSPH*3612A**	0.99	0.91	58PH*090-16	CAP**3017A**	0.98	0.99	59N*A060V17**14
CAP**3017A**	0.99	1.01	OVLAA036098	CAP**3617A**	0.99	0.99	59N*A060V17**14
CAP**3617A**	0.99	1.00	OVLAA036098	CAP**3619A**	0.99	0.99	59N*A060V17**14
CNP**3017A**	0.98	1.01	OVLAA036098	CAP**3621A**	0.98	0.98	59N*A060V17**14
CNP**3617A**	0.99	0.97	OVLAA036098	CNP**3017A**	0.99	1.00	59N*A060V17**14
CNPV*3017A**	0.98	1.01	OVLAA036098	CNP**3117A**	0.99	0.96	59N*A060V17**14
CNPV*3617A**	0.99	0.97	OVLAA036098	CNPV*3017A**	0.99	1.00	59N*A060V17**14
CSPH*3012A**	0.98	0.96	OVLAA036098	CNPV*3117A**	0.99	1.00	59N*A060V17**14
CSPH*3612A**	0.99	0.98	OVLAA036098	CNPV*3617A**	0.99	0.99	59N*A060V17**14
CAP**3017A**	0.99	1.01	OVLAA048112	CNPV*3621A**	0.99	0.99	59N*A060V17**14
CAP**3617A**	0.99	0.95	OVLAA048112	CSPH*3012A**	0.99	0.99	59N*A060V17**14
CNP**3017A**	0.98	0.99	OVLAA048112	CSPH*3612A**	0.99	0.99	59N*A060V17**14
CNP**3617A**	0.99	0.99	OVLAA048112	CAP**3617A**	0.99	0.99	59N*A100V21**20
CNPV*3017A**	0.98	0.99	OVLAA048112	CAP**3619A**	0.99	0.98	59N*A100V21**20
CNPV*3617A**	0.99	0.99	OVLAA048112	CAP**3621A**	0.99	0.98	59N*A100V21**20
CSPH*3012A**	0.98	0.98	OVLAA048112	CNP**3017A**	0.99	0.99	59N*A100V21**20
CSPH*3612A**	0.99	0.96	OVLAA048112	CNP**3117A**	0.99	0.98	59N*A100V21**20
CAP**3017A**	0.99	1.01	OVMMA036098	CNPV*3017A**	0.99	1.00	59N*A100V21**20
CAP**3617A**	0.99	1.00	OVMMA036098	CNPV*3117A**	0.99	0.99	59N*A100V21**20
CNP**3017A**	0.98	1.01	OVMMA036098	CNPV*3617A**	0.99	0.99	59N*A100V21**20
CNP**3617A**	0.99	0.97	OVMMA036098	CNPV*3621A**	0.99	0.99	59N*A100V21**20
CNPV*3017A**	0.98	1.01	OVMMA036098	CSPH*3012A**	0.99	0.98	59N*A100V21**20
CNPV*3617A**	0.99	0.97	OVMMA036098	CSPH*3612A**	0.99	0.98	59N*A100V21**20
CSPH*3012A**	0.98	0.98	OVMMA036098	CAP**3017A**	0.99	1.00	59N*A120V24**22
CSPH*3612A**	0.99	0.96	OVMMA036098	CAP**3617A**	0.99	1.00	59N*A120V24**22
CAP**3017A**	0.99	1.01	OVMMA042112	CAP**3619A**	0.99	1.00	59N*A120V24**22
CAP**3617A**	0.99	0.95	OVMMA042112	CAP**3621A**	0.99	0.99	59N*A120V24**22
CNP**3017A**	0.98	0.99	OVMMA042112	CNP**3017A**	0.99	1.00	59N*A120V24**22
CNP**3617A**	0.99	0.99	OVMMA042112	CNP**3117A**	0.99	0.97	59N*A120V24**22
CNPV*3017A**	0.98	0.99	OVMMA042112	CNPV*3017A**	0.99	1.00	59N*A120V24**22
CNPV*3617A**	0.99	0.95	OVMMA042112	CNPV*3117A**	0.99	1.00	59N*A120V24**22
CSPH*3012A**	0.98	0.98	OVMMA042112	CNPV*3617A**	0.99	0.99	59N*A120V24**22
CSPH*3612A**	0.99	0.96	OVMMA042112	CNPV*3621A**	0.99	0.99	59N*A120V24**22
CAP**3017A**	1.00	0.94	OVMMA042112	CSPH*3012A**	0.99	0.99	59N*A120V24**22
CAP**3617A**	0.99	0.98	OVMMA042112	CSPH*3612A**	0.99	0.99	59N*A120V24**22
CNP**3017A**	0.98	0.99	OVMMA042112	CAP**3017A**	0.99	1.00	59*PSA060E17**14
CNP**3617A**	0.99	0.95	OVMMA042112	CAP**3617A**	0.99	1.00	59*PSA060E17**14
CNPV*3017A**	0.98	0.99	OVMMA042112	CAP**3619A**	0.99	1.00	59*PSA060E17**14
CNPV*3617A**	0.99	0.95	OVMMA042112	CAP**3621A**	0.99	0.99	59*PSA060E17**14
CSPH*3012A**	0.98	0.98	OVMMA042112	CNP**3017A**	0.99	1.00	59*PSA060E17**14
CSPH*3612A**	0.99	0.96	OVMMA042112	CNP**3117A**	0.99	0.97	59*PSA060E17**14
CAP**3017A**	1.00	0.94	OVMMA042112	CNPV*3017A**	0.99	1.00	59*PSA060E17**14
CAP**3617A**	0.99	0.98	OVMMA042112	CNPV*3117A**	0.99	1.00	59*PSA060E17**14
CNP**3017A**	0.98	0.99	OVMMA042112	CNPV*3617A**	0.99	0.99	59*PSA060E17**14
CNP**3617A**	0.99	0.95	OVMMA042112	CNPV*3621A**	0.99	0.99	59*PSA060E17**14
CNPV*3017A**	0.98	0.99	OVMMA042112	CSPH*3012A**	0.99	0.99	59*PSA060E17**14
CNPV*3617A**	0.99	0.95	OVMMA042112	CSPH*3612A**	0.99	0.99	59*PSA060E17**14

See notes on pg. 60



38QR







# HEAT PUMP HEATING PERFORMANCE (CONT.)

INDOOR AIR		OUTDOOR COIL ENTERING AIR TEMPERATURES °F (°C)																							
		-3 (-19.4)			7 (-13.9)			17 (-8.3)			27 (-2.8)			37 (2.8)			47 (8.3)			57 (13.9)			67 (19.4)		
EDB °F (°C)	CFM	Capacity MBtuh		Total Sizing KWt	Capacity MBtuh		Total Sizing KWt	Capacity MBtuh		Total Sizing KWt	Capacity MBtuh		Total Sizing KWt	Capacity MBtuh		Total Sizing KWt	Capacity MBtuh		Total Sizing KWt	Capacity MBtuh		Total Sizing KWt	Capacity MBtuh		Total Sizing KWt
		Total	Integ*		Total	Integ*		Total	Integ*		Total	Integ*		Total	Integ*		Total	Integ*		Total	Integ*		Total	Integ*	
65 (18.3)	1400	18.54	17.06	3.16	23.54	21.63	3.26	28.92	26.37	3.36	34.75	30.86	3.46	41.04	37.35	3.57	48.01	48.01	3.71	56.46	56.46	3.89	66.21	66.21	4.11
	1600	18.98	17.46	3.20	24.01	22.06	3.29	29.43	26.83	3.37	35.28	31.34	3.46	41.63	37.88	3.55	48.90	48.90	3.67	57.41	57.41	3.82	67.39	67.39	4.02
	1800	19.41	17.86	3.26	24.45	22.47	3.33	29.87	27.24	3.40	35.76	31.76	3.47	42.14	38.35	3.55	49.54	49.54	3.65	58.20	58.20	3.79	68.36	68.36	3.97
70 (21.1)	1400	17.79	16.36	3.30	22.85	21.00	3.42	28.28	25.79	3.53	34.15	30.33	3.65	40.45	36.81	3.77	47.29	47.29	3.91	55.57	55.57	4.10	65.13	65.13	4.33
	1600	18.24	16.78	3.35	23.34	21.45	3.45	28.80	26.26	3.54	34.70	30.82	3.64	41.04	37.35	3.75	48.00	48.00	3.86	56.49	56.49	4.03	66.28	66.28	4.23
	1800	18.65	17.16	3.41	23.77	21.84	3.50	29.26	26.68	3.57	35.18	31.24	3.66	41.56	37.82	3.74	48.64	48.64	3.85	57.27	57.27	3.99	67.24	67.24	4.18
75 (23.4)	1400	16.95	15.59	3.44	22.10	20.31	3.58	27.58	25.15	3.71	33.49	29.75	3.84	38.82	36.24	3.98	46.65	46.65	4.13	54.69	54.69	4.32	64.05	64.05	4.56
	1600	17.40	16.01	3.49	22.59	20.76	3.61	28.12	25.64	3.72	34.06	30.25	3.83	40.43	36.79	3.95	47.31	47.31	4.07	55.58	55.58	4.25	65.19	65.19	4.46
	1800	17.81	16.39	3.55	23.03	21.16	3.66	28.57	26.05	3.75	34.55	30.69	3.85	40.95	37.27	3.95	47.90	47.90	4.05	56.36	56.36	4.21	66.14	66.14	4.40

HEATING INDOOR MODEL		CAPACITY		POWER	FURNACE MODEL	
		Total	Integ*		Total	Integ*
*FY5BNF048		1.00		1.00	58CV(A,X)135-22	
FE4AN(B)F005		0.96	0.93	0.93	58CV(A,X)135-22	
FE4AN(B)F005		0.96	0.89	0.94	58CV(A,X)155-22	
FV4BN(B)F005		0.96	0.93	0.93	58CV(A,X)155-22	
FV4BN(B)F005		0.96	0.89	0.94	58CV(A,X)155-22	
FV4BN(B)F048		0.98	0.94	0.93	58CV(A,X)155-22	
FV4CN(B)F060		0.98	0.90	0.94	58CV(A,X)155-22	
FV4AN(F)048		1.00	1.00	0.93	58CV(A,X)155-22	
FV4AN(B)060		1.00	0.97	0.94	58CV(A,X)155-22	
40GAC(Q)048-3		0.94	0.98	0.92	58CV(A,X)155-22	
CAP**4817A**		0.98	0.98	0.95	58MEB080-16	
CAP**4821A**		0.98	0.97	0.95	58MEB080-16	
CAP**4824A**		0.98	0.97	0.95	58MEB080-16	
CAP**6021A**		0.96	0.93	0.95	58MEB080-16	
CAP**6024A**		0.99	0.96	0.93	58MEB080-16	
CNP**4818A**		0.97	1.01	0.94	58MEB100-20	
CNP**4821A**		0.98	0.97	0.93	58MEB100-20	
CNP**6024A**		0.99	0.97	0.94	58MEB100-20	
CNP**4821A**		0.98	0.97	0.93	58MEB120-20	
CNP**4824A**		0.99	0.97	0.94	58MEB120-20	
CNP**4821A**		0.98	0.97	0.93	58MEB120-20	
CNP**6024A**		0.99	0.97	0.94	58MEB120-20	
CNP**4824A**		0.98	0.97	0.93	58MEB120-20	
CNP**4821A**		0.98	0.97	0.93	58MEB120-20	
CNP**6024A**		0.99	0.97	0.94	58MEB120-20	
CNP**4824A**		0.98	0.97	0.93	58MEB120-20	
CNP**4821A**		0.98	0.97	0.93	58MEB120-20	
CNP**6024A**		0.99	0.97	0.94	58MEB120-20	
CNP**4824A**		0.98	0.97	0.93	58MEB120-20	
CNP**4821A**		0.98	0.97	0.93	58MEB120-20	
CNP**6024A**		0.99	0.97	0.94	58MEB120-20	
CNP**4824A**		0.98	0.97	0.93	58MEB120-20	
CNP**4821A**		0.98	0.97	0.93	58MEB120-20	
CNP**6024A**		0.99	0.97	0.94	58MEB120-20	
CNP**4824A**		0.98	0.97	0.93	58MEB120-20	
CNP**4821A**		0.98	0.97	0.93	58MEB120-20	
CNP**6024A**		0.99	0.97	0.94	58MEB120-20	
CNP**4824A**		0.98	0.97	0.93	58MEB120-20	
CNP**4821A**		0.98	0.97	0.93	58MEB120-20	
CNP**6024A**		0.99	0.97	0.94	58MEB120-20	
CNP**4824A**		0.98	0.97	0.93	58MEB120-20	
CNP**4821A**		0.98	0.97	0.93	58MEB120-20	
CNP**6024A**		0.99	0.97	0.94	58MEB120-20	
CNP**4824A**		0.98	0.97	0.93	58MEB120-20	
CNP**4821A**		0.98	0.97	0.93	58MEB120-20	
CNP**6024A**		0.99	0.97	0.94	58MEB120-20	
CNP**4824A**		0.98	0.97	0.93	58MEB120-20	
CNP**4821A**		0.98	0.97	0.93	58MEB120-20	
CNP**6024A**		0.99	0.97	0.94	58MEB120-20	
CNP**4824A**		0.98	0.97	0.93	58MEB120-20	
CNP**4821A**		0.98	0.97	0.93	58MEB120-20	
CNP**6024A**		0.99	0.97	0.94	58MEB120-20	
CNP**4824A**		0.98	0.97	0.93	58MEB120-20	
CNP**4821A**		0.98	0.97	0.93	58MEB120-20	
CNP**6024A**		0.99	0.97	0.94	58MEB120-20	
CNP**4824A**		0.98	0.97	0.93	58MEB120-20	
CNP**4821A**		0.98	0.97	0.93	58MEB120-20	
CNP**6024A**		0.99	0.97	0.94	58MEB120-20	
CNP**4824A**		0.98	0.97	0.93	58MEB120-20	
CNP**4821A**		0.98	0.97	0.93	58MEB120-20	
CNP**6024A**		0.99	0.97	0.94	58MEB120-20	
CNP**4824A**		0.98	0.97	0.93	58MEB120-20	
CNP**4821A**		0.98	0.97	0.93	58MEB120-20	
CNP**6024A**		0.99	0.97	0.94	58MEB120-20	
CNP**4824A**		0.98	0.97	0.93	58MEB120-20	
CNP**4821A**		0.98	0.97	0.93	58MEB120-20	
CNP**6024A**		0.99	0.97	0.94	58MEB120-20	
CNP**4824A**		0.98	0.97	0.93	58MEB120-20	
CNP**4821A**		0.98	0.97	0.93	58MEB120-20	
CNP**6024A**		0.99	0.97	0.94	58MEB120-20	
CNP**4824A**		0.98	0.97	0.93	58MEB120-20	
CNP**4821A**		0.98	0.97	0.93	58MEB120-20	
CNP**6024A**		0.99	0.97	0.94	58MEB120-20	
CNP**4824A**		0.98	0.97	0.93	58MEB120-20	
CNP**4821A**		0.98	0.97	0.93	58MEB120-20	
CNP**6024A**		0.99	0.97	0.94	58MEB120-20	
CNP**4824A**		0.98	0.97	0.93	58MEB120-20	
CNP**4821A**		0.98	0.97	0.93	58MEB120-20	
CNP**6024A**		0.99	0.97	0.94	58MEB120-20	
CNP**4824A**		0.98	0.97	0.93	58MEB120-20	
CNP**4821A**		0.98	0.97	0.93	58MEB120-20	
CNP**6024A**		0.99	0.97	0.94	58MEB120-20	
CNP**4824A**		0.98	0.97	0.93	58MEB120-20	
CNP**4821A**		0.98	0.97	0.93	58MEB120-20	
CNP**6024A**		0.99	0.97	0.94	58MEB120-20	
CNP**4824A**		0.98	0.97	0.93	58MEB120-20	
CNP**4821A**		0.98	0.97	0.93	58MEB120-20	
CNP**6024A**		0.99	0.97	0.94	58MEB120-20	
CNP**4824A**		0.98	0.97	0.93	58MEB120-20	
CNP**4821A**		0.98	0.97	0.93	58MEB120-20	
CNP**6024A**		0.99	0.97	0.94	58MEB120-20	
CNP**4824A**		0.98	0.97	0.93	58MEB120-20	
CNP**4821A**		0.98	0.97	0.93	58MEB120-20	
CNP**6024A**		0.99	0.97	0.94	58MEB120-20	
CNP**4824A**		0.98	0.97	0.93	58MEB120-20	
CNP**4821A**		0.98	0.97	0.93	58MEB120-20	
CNP**6024A**		0.99	0.97	0.94	58MEB120-20	
CNP**4824A**		0.98	0.97	0.93	58MEB120-20	
CNP**4821A**		0.98	0.97	0.93	58MEB120-20	
CNP**6024A**		0.99	0.97	0.94	58MEB120-20	
CNP**4824A**		0.98	0.97	0.93	58MEB120-20	
CNP**4821A**		0.98	0.97	0.93	58MEB120-20	
CNP**6024A**		0.99	0.97	0.94	58MEB120-20	
CNP**4824A**		0.98	0.97	0.93	58MEB120-20	
CNP**4821A**		0.98	0.97	0.93	58MEB120-20	
CNP**6024A**		0.99	0.97	0.94	58MEB120-20	
CNP**4824A**		0.98	0.97	0.93	58MEB120-20	
CNP**4821A**		0.98	0.97	0.93	58MEB120-20	
CNP**6024A**		0.99	0.97	0.94	58MEB120-20	
CNP**4824A**		0.98	0.97	0.93	58MEB120-20	
CNP**4821A**		0.98	0.97	0.93	58MEB120-20	
CNP**6024A**		0.99	0.97	0.94	58MEB120-20	
CNP**4824A**		0.98	0.97	0.93	58MEB120-20	
CNP**4821A**		0.98	0.97	0.93	58MEB120-20	
CNP**6024A**		0.99	0.97	0.94	58MEB120-20	
CNP**4824A**		0.98	0.97	0.93	58MEB120-20	
CNP**4821A**		0.98				

# HEAT PUMP HEATING PERFORMANCE (CONT.)

38QRR048 Outdoor Section With FY4ANF048 Indoor Section

HEATING INDOOR MODEL	CAPACITY	POWER	FURNACE MODEL
CNPH*6024A**	0.99	1.02	OVLAA08112
CNPH*6124A**	1.00	1.02	OVLAA08112
CNPV*4821A**	0.99	1.03	OVLAA08112
CSPH*4812A**	1.04	1.04	OVLAA08112
CSPH*6012A**	1.00	1.02	OVLAA08112
CNPH*4821A**	1.00	0.99	OVLAA060154
CNPH*6024A**	1.01	0.99	OVLAA060154
CNPH*6124A**	1.01	0.98	OVLAA060154
CSPH*4812A**	1.01	1.00	OVLAA060154
CSPH*6012A**	1.01	0.98	OVLAA060154
CNPH*4821A**	0.99	1.04	59*P5A080E17**16
CNPH*6024A**	0.99	1.03	59*P5A080E17**16
CNPV*4821A**	0.99	1.04	59*P5A080E17**16
CSPH*6012A**	0.99	1.02	59*P5A080E17**16
CAP**4821A**	0.98	1.02	59*P5A100E21**16
CAP**4823A**	0.98	1.02	59*P5A100E21**16
CAP**4824A**	0.98	1.02	59*P5A100E21**16
CAP**6021A**	0.99	1.02	59*P5A100E21**16
CAP**6024A**	0.99	1.02	59*P5A100E21**16
CAP**6025A**	0.99	1.02	59*P5A100E21**16
CNPH*4821A**	0.98	1.01	59*P5A100E21**16
CNPH*6024A**	0.99	1.01	59*P5A100E21**16
CNPH*6124A**	0.99	1.01	59*P5A100E21**16
CNPV*4821A**	0.98	1.01	59*P5A100E21**16
CNPV*4824A**	0.98	1.01	59*P5A100E21**16
CNPV*6024A**	0.99	1.01	59*P5A100E21**16
CNPV*6124A**	0.99	0.99	59*P5A100E21**16
CSPH*4812A**	0.99	1.02	59*P5A100E21**16
CSPH*6012A**	0.99	1.01	59*P5A100E21**16
CAP**4823A**	0.98	1.00	59*P5A120E24**22
CAP**4824A**	0.98	0.99	59*P5A120E24**22
CAP**6024A**	0.99	0.99	59*P5A120E24**22
CAP**6025A**	0.99	0.99	59*P5A120E24**22
CNPH*4821A**	0.98	0.99	59*P5A120E24**22
CNPH*6024A**	0.98	0.98	59*P5A120E24**22
CNPH*6124A**	0.99	0.98	59*P5A120E24**22
CNPV*4824A**	0.98	0.99	59*P5A120E24**22
CNPV*6024A**	0.99	0.98	59*P5A120E24**22
CNPV*6124A**	0.99	0.97	59*P5A120E24**22
CSPH*4812A**	0.98	0.99	59*P5A120E24**22
CSPH*6012A**	0.98	0.98	59*P5A120E24**22
CAP**4821A**	0.98	1.03	59*N*A100V21**20
CAP**4823A**	0.98	1.03	59*N*A100V21**20
CAP**4824A**	0.98	1.02	59*N*A100V21**20
CAP**6021A**	0.98	1.01	59*N*A100V21**20
CAP**6024A**	0.98	1.01	59*N*A100V21**20
CAP**6025A**	0.98	1.01	59*N*A100V21**20
CNPH*4821A**	0.98	1.01	59*N*A100V21**20
CNPH*6024A**	0.98	1.02	59*N*A100V21**20
CNPH*6124A**	0.98	1.01	59*N*A100V21**20
CNPV*4821A**	0.98	1.02	59*N*A100V21**20
CNPV*4824A**	0.98	1.01	59*N*A100V21**20
CNPV*6024A**	0.98	1.01	59*N*A100V21**20
CNPV*6124A**	0.98	0.98	59*N*A100V21**20

See notes on pg. 60

HEATING INDOOR MODEL	CAPACITY	POWER	FURNACE MODEL
CSPH*4812A**	0.98	1.01	59*N*A120V24**22
CSPH*6012A**	0.98	1.00	59*N*A120V24**22
CAP**4823A**	0.97	1.01	59*N*A120V24**22
CAP**4824A**	0.97	1.00	59*N*A120V24**22
CAP**6024A**	0.97	0.99	59*N*A120V24**22
CAP**6025A**	0.97	0.99	59*N*A120V24**22
CNPH*4821A**	0.97	0.99	59*N*A120V24**22
CNPH*6024A**	0.97	0.98	59*N*A120V24**22
CNPH*6124A**	0.98	0.99	59*N*A120V24**22
CNPV*4824A**	0.97	0.99	59*N*A120V24**22
CNPV*6024A**	0.98	0.98	59*N*A120V24**22
CNPV*6124A**	0.98	0.97	59*N*A120V24**22
CSPH*4812A**	0.97	0.99	59*N*A120V24**22
CSPH*6012A**	0.97	0.98	59*N*A120V24**22



# GUIDE SPECIFICATIONS

## GENERAL

### System Description

Outdoor-mounted, air-cooled, split-system heat pump unit suitable for ground or rooftop installation. Unit consists of a scroll-type hermetic compressor, an air-cooled coil, propeller-type condenser fan, and a control box. Unit will discharge supply air horizontally as shown on contract drawings. Unit will be used in a refrigeration circuit to match up to a packaged fan coil or furnace.

### Quality Assurance

- Unit will be rated in accordance with the latest edition of AHRI Standard 210.
- Unit will be certified for capacity and efficiency, and listed in the latest AHRI directory.
- Unit construction will comply with latest edition of ANSI/ASHRAE and with NEC.
- Unit will be constructed in accordance with UL standards and will carry the UL label of approval. Unit will have c-UL approval.
- Unit cabinet will be capable of withstanding Federal Test Method Standard No. 141 (Method 6061) 500-hr salt spray test.
- Air-cooled condenser coils will be leak tested and pressure tested
- Unit constructed in ISO9001 approved facility.

### Delivery, Storage, and Handling

- Unit will be shipped as single package only and is stored and handled per unit manufacturer's recommendations.

### Warranty (for inclusion by specifying engineer)

- U.S. and Canada only.

## PRODUCTS

### Equipment

- Factory assembled, single piece, air-cooled heat pump unit. Contained within the unit enclosure is all factory wiring, piping, controls, compressor, refrigerant charge Puron® (R-410A), and special features required prior to field start-up.

### Unit Cabinet

- Unit cabinet will be constructed of galvanized steel, bonderized, and coated with a powder coat paint.

### Fans

- Condenser fan will be direct-drive propeller type, discharging air horizontally.

## AIR-COOLED, SPLIT-SYSTEM HEAT PUMP

38QRR

1-1/2 TO 5 NOMINAL TONS

- Condenser fan motors will be totally enclosed, 1-phase type with class B insulation and permanently lubricated bearings. Shafts will be corrosion resistant.
- Fan blades will be statically and dynamically balanced.
- Condenser fan openings will be equipped with coated steel wire safety guards.

### Compressor

- Compressor will be a scroll-type, hermetically sealed.
- Compressor will be mounted on rubber vibration isolators.

### Condenser Coil

- Condenser coil will be air cooled.
- Coil will be constructed of aluminum fins mechanically bonded to copper tubes which are then cleaned, dehydrated, and sealed.

### Refrigeration Components

- Refrigeration circuit components will include liquid-line front-seating shutoff valve with sweat connections, vapor-line front-seating shutoff valve with sweat connections, system charge of Puron® (R-410A) refrigerant, and compressor oil.
- Unit will be equipped with high-pressure switch, low pressure switch and filter drier for Puron refrigerant.

### Operating Characteristics

- The capacity of the unit will meet or exceed \_\_\_\_\_ Btuh at a suction temperature of \_\_\_\_\_ °F/°C. The power consumption at full load will not exceed \_\_\_\_\_ kW.
- Combination of the unit and the evaporator or fan coil unit will have a total net cooling capacity of \_\_\_\_\_ Btuh or greater at conditions of \_\_\_\_\_ CFM entering air temperature at the evaporator at \_\_\_\_\_ °F/°C wet bulb and \_\_\_\_\_ °F/°C dry bulb, and air entering the unit at \_\_\_\_\_ °F/°C.
- The system will have a SEER of \_\_\_\_\_ Btuh/watt or greater at DOE conditions.

### Electrical Requirements

- Nominal unit electrical characteristics will be \_\_\_\_\_ v, single phase, 60 hz. The unit will be capable of satisfactory operation within voltage limits of \_\_\_\_\_ v to \_\_\_\_\_ v.
- Nominal unit electrical characteristics will be \_\_\_\_\_ v, three phase, 60 hz. The unit will be capable of satisfactory operation within voltage limits of \_\_\_\_\_ v to \_\_\_\_\_ v.
- Unit electrical power will be single point connection.
- Control circuit will be 24v.

### Special Features

- Refer to section of this literature identifying accessories and descriptions for specific features and available enhancements.

38QRR

