


Coil Data									
39L Unit Size	03	06	08	10	12	15	18	21	25
<b>Coil Type</b>									
<b>CHILLED WATER/DIRECT EXPANSION</b>									
Large Face Area — Airflow (cfm) at 500 fpm	1,996	3,245	4,345	5,247	6,149	8,200	9,740	11,880	13,750
Face Area (sq ft)	4.0	6.0	8.0	10.0	11.0	15.0	18.0	22.0	25.0
Number of Tubes/Face	16	20	24	24	24	32	38	38	22/22
Finned Tube Length (in.)	26.1	34.0	37.9	53.7	53.7	53.7	53.7	65.5	65.5
Small Face Area — Airflow (cfm) at 500 fpm	1,496	2,596	3,619	4,372	5,126	6,666	7,689	9,405	11,275
Face Area (sq ft)	2.7	4.7	6.6	8.0	9.3	12.1	14.0	17.1	20.5
Number of Tubes/Face	12	16	20	20	20	26	30	30	36
Finned Tube Length (in.)	26.1	34.0	37.9	53.7	53.7	53.7	53.7	65.5	65.5
<b>HOT WATER</b>									
Airflow (cfm) at 700 fpm	1,904	3,304	4,606	5,565	6,524	8,470	9,800	11,970	14,350
Face Area (sq ft)	2.7	4.7	6.6	8.0	9.3	12.1	14.0	17.1	20.5
Number of Tubes/Face	12	16	20	20	20	26	30	30	36
Finned Tube Length (in.)	26.1	34.0	37.9	45.8	53.7	53.7	53.7	65.5	65.5
<b>STEAM</b>									
Airflow (cfm) at 700 fpm	1,470	2,940	4,340	5,250	6,230	7,770	9,310	11,340	13,230
Face Area (sq ft)	2.1	4.2	6.2	7.5	8.9	11.1	13.3	16.2	18.9
Number of Tubes/Face	4	6	8	8	8	10	12	12	14
Finned Tube Length (in.)	25.5	33.4	37.3	45.2	53.1	53.1	53.1	53.1	64.9
<b>ELECTRIC HEATER</b>									
Airflow (cfm) at 700 fpm	1,540	2,590	3,570	4,340	5,110	7,000	8,190	9,940	12,460
Face Area (sq ft)	2.2	3.7	5.1	6.2	7.3	10.0	11.7	14.2	17.8
Heater kW	9-17	8-36	15-51	15-59	19-72	19-86	19-94	19-116	30-145

Filters									
39L Unit Size	03	06	08	10	12	15	18	21	25
<b>Filter Type</b>									
<b>FLAT FILTER (2-in. or 4-in.)</b>									
Face Area (sq ft)	3.6	5.6	6.9	9.0	10.4	13.3	15.0	18.8	22.5
Quantity/Size (in.)	2/16x16	2/20x20	2/20x25	2/16x25 1/20x25	3/20x25	6/16x20	3/16x20 3/20x20	3/20x25 3/16x25	2/16x20 2/20x20 2/20x25 2/16x25
<b>ANGLE FILTER (2-in. or 4-in.)</b>									
Face Area (sq ft)	5.6	8.9	10.0	11.1	13.3	20.0	26.7	31.1	31.1
Quantity/Size (in.)	2/16x25	4/16x20	2/16x20 2/16x25	4/16x25	6/16x20	9/16x20	12/16x20	4/16x20 8/16x25	4/16x20 8/16x25
<b>FILTER MIXING BOX (2-in. or 4-in.)</b>									
Face Area (sq ft)	5.6	8.9	10.0	11.1	13.3	20.0	26.7	31.1	31.1
Quantity/Size (in.)	2/16x25	4/16x20	2/16x20 2/16x25	4/16x25	6/16x20	9/16x20	9/16x20	3/16x20 6/16x25	4/16x20 8/16x25

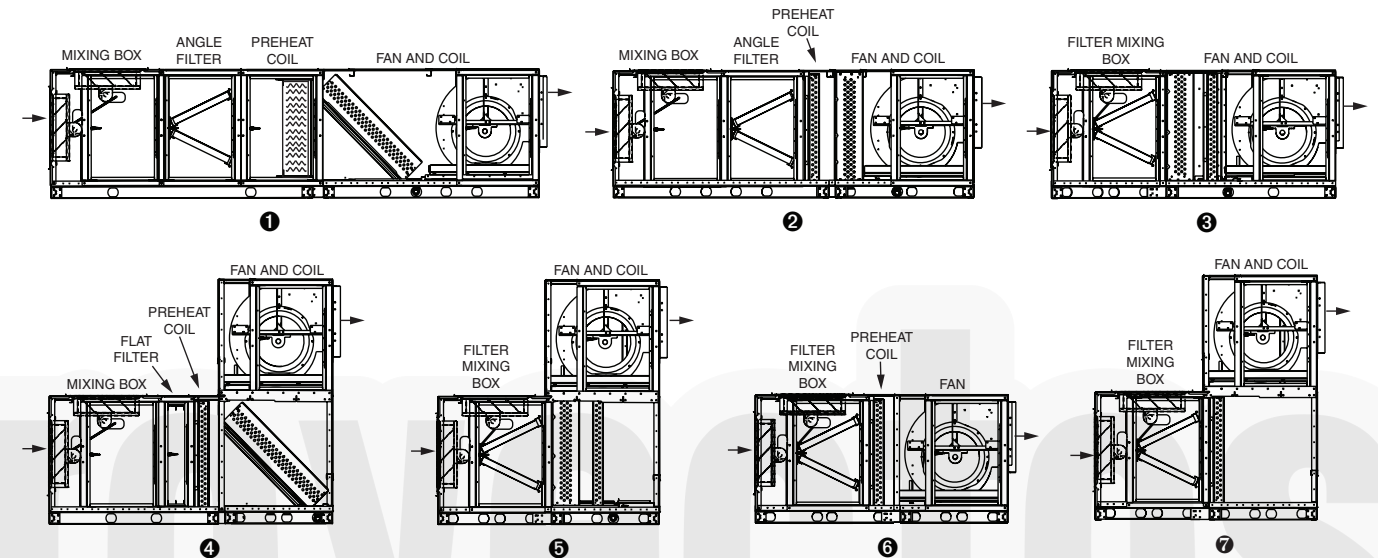


# 39L

## Air-Handling Express Selection Guide

### Unit Selection Procedure

- Unit size = Coil face area (ft<sup>2</sup>) = Design cfm ÷ max face velocity  
Example: 6,000 cfm ÷ 500 fpm = 12 → Size 12 air handler with large face area coil
- Consider your system and choose the appropriate component sections.
- Determine overall unit dimensions and weight.
- Finalize your selections using Carrier's latest version of the **AHUBuilder**® program. The **AHUBuilder** program is a comprehensive selection tool designed to help our customers quickly and efficiently make the proper air handler choice.

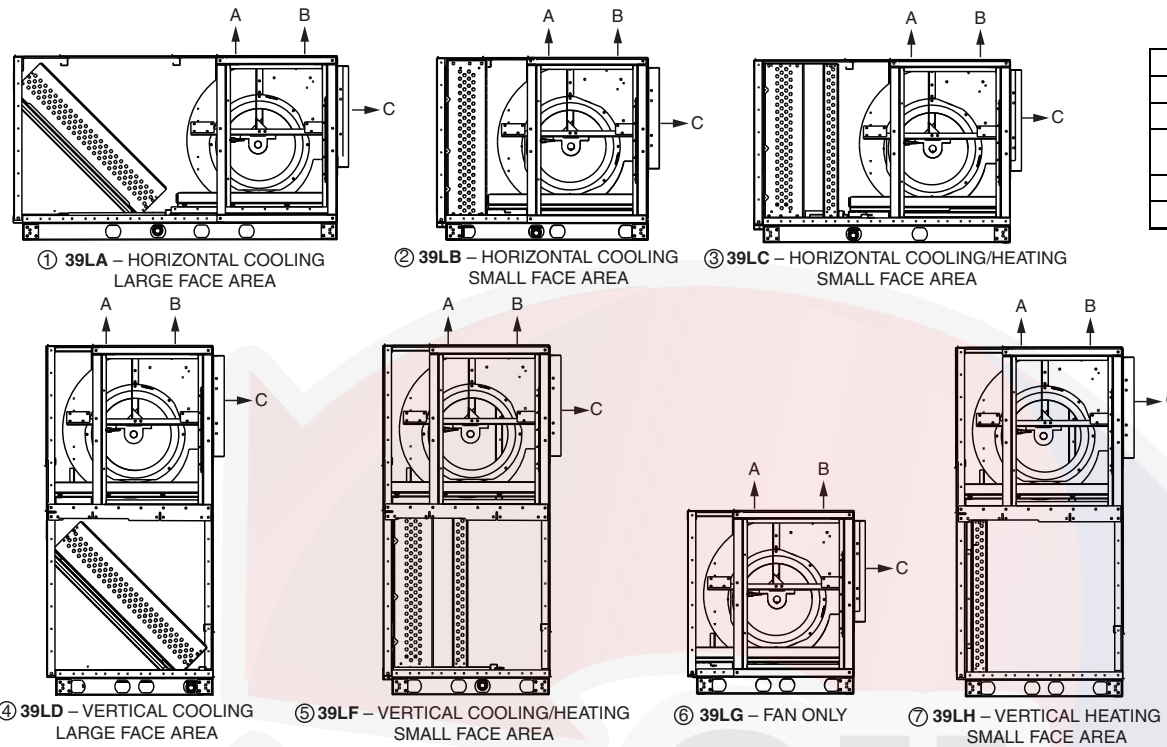


Total Unit Weights and Dimensions											
Model No.	Unit No.	Specifications	39L Unit Size								
			03	06	08	10	12	14	17	21	25
39LA	1	Total Unit Wt (lb)	450	568	744	842	929	1050	1172	1224	1373
		AWL (in.)	96.1	103.9	111.8	111.8	111.8	127.6	143.3	143.3	139.4
		H (in.)	24.3	28.2	32.1	32.1	32.1	40.0	43.9	43.9	51.8
		W (in.)	37.9	45.8	49.7	57.6	65.1	65.1	65.1	65.1	77.3
39LB	2	Total Unit Wt (lb)	400	498	641	724	794	895	998	1039	1168
		AWL (in.)	84.3	88.2	92.1	92.1	92.1	100.0	111.8	111.8	119.7
		H (in.)	24.3	28.2	32.1	32.1	32.1	40.0	43.9	43.9	51.8
		W (in.)	37.9	45.8	49.7	57.6	65.1	65.1	65.1	65.1	77.3
39LC	3	Total Unit Wt (lb)	320	411	557	627	704	806	917	969	1092
		AWL (in.)	64.6	68.5	72.4	72.4	72.4	80.3	92.1	92.1	100.0
		H (in.)	24.3	28.2	32.1	32.1	32.1	40.0	43.9	43.9	51.8
		W (in.)	37.9	45.8	49.7	57.6	65.1	65.1	65.1	65.1	77.3
39LD	4	Total Unit Wt (lb)	380	495	680	767	866	992	1126	1191	1338
		AWL (in.)	48.8	52.8	56.7	56.7	56.7	64.6	76.4	76.4	84.3
		H (in.)	45.5	53.3	61.3	61.3	61.3	76.9	84.8	84.8	100.6
		W (in.)	37.9	45.8	49.7	57.6	65.1	65.1	65.1	65.1	77.3
39LF	5	Total Unit Wt (lb)	380	495	680	767	866	992	1126	1191	1338
		AWL (in.)	48.8	52.8	56.7	56.7	56.7	64.6	76.4	76.4	84.3
		H (in.)	45.5	53.3	61.3	61.3	61.3	76.9	84.8	84.8	100.6
		W (in.)	37.9	45.8	49.7	57.6	65.1	65.1	65.1	65.1	77.3
39LG	6	Total Unit Wt (lb)	270	341	454	509	569	651	744	784	887
		AWL (in.)	48.8	52.8	56.7	56.7	56.7	64.6	76.4	76.4	84.3
		H (in.)	24.3	28.2	32.1	32.1	32.1	40.0	43.9	43.9	51.8
		W (in.)	37.9	45.8	49.7	57.6	65.1	65.1	65.1	65.1	77.3
39LH	7	Total Unit Wt (lb)	270	481	660	744	839	961	1091	1154	1297
		AWL (in.)	48.8	52.8	56.7	56.7	56.7	64.6	76.4	76.4	84.3
		H (in.)	45.5	53.3	61.3	61.3	61.3	76.9	84.8	84.8	100.6
		W (in.)	37.9	45.8	49.7	57.6	65.1	65.1	65.1	65.1	77.3

LEGEND  
AWL — Airway Length

NOTE: Unit weights do not include coils and motors.

**PRIMARY COIL/FAN SECTIONS**

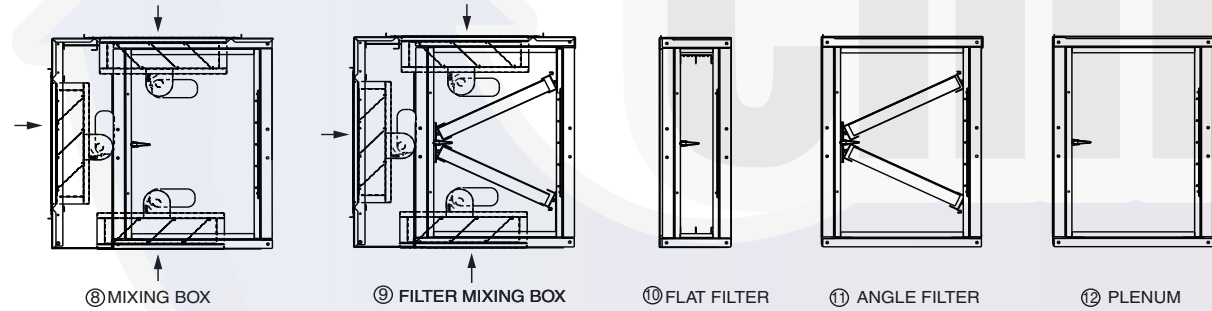


**Fan Configurations**

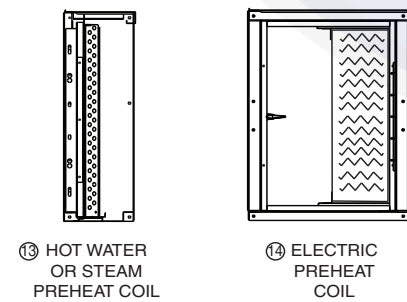
Available Configurations	
<b>A</b>	Upblast Rear Discharge
<b>B</b>	Upblast Front Discharge
<b>C</b>	Top Horizontal Front Discharge
Fan Section Access	
Hinged Door on Hand Side	

NOTE: 39L base rail split between the primary coil/fan section and the accessory sections may be selected. The unit will ship assembled. The split allows the unit to be separated at the joint.

**ACCESSORY SECTIONS**



**PREHEAT SECTIONS**



**39L Physical Data**

SECTION DIMENSIONS (in.) AND WEIGHTS (lb)										
Nominal cfm at 500 fpm	1,500	3,000	4,000	5,000	6,000	7,500	9,000	10,500	12,500	
Unit Size	03	06	08	10	12	15	18	21	25	
Height (in.) LA, LB, LC, LG	24.3	28.2	32.1	32.1	32.1	40.0	43.9	43.9	43.9	
Height (in.) LD, LF, LH	45.5	53.3	61.3	61.3	61.3	76.9	84.8	84.8	100.6	
Width (in.)	37.9	45.8	49.7	57.6	65.1	65.1	65.1	77.3	77.3	
ITEM NO.	DESCRIPTION	AWL (in.) Weight (lb)								
1	39LA	40.9 200	48.8 280	56.7 411	56.7 470	56.7 540	72.4 620	80.3 695	80.3 740	76.4 820
2	39LB	29.1 150	33.1 210	37.0 308	37.0 352	37.0 405	44.9 465	48.8 521	48.8 555	56.7 615
3	39LC	37.0 170	40.9 238	44.9 349	44.9 400	44.9 459	52.8 527	56.7 590	56.7 629	64.6 697
4	39LD	21.3 230	25.2 322	29.1 472	29.1 540	29.1 621	37.0 713	40.9 799	40.9 851	48.8 943
5	39LF	21.3 230	25.2 322	29.1 472	29.1 540	29.1 621	37.0 713	40.9 799	40.9 851	48.8 943
6	39LG	21.3 120	25.2 168	29.1 246	29.1 282	29.1 324	37.0 372	40.9 417	40.9 444	48.8 492
7	39LH	21.3 220	25.2 308	29.1 452	29.1 517	29.1 594	37.0 682	40.9 764	40.9 814	48.8 902

**ACCESSORIES**

		Unit Size	03	06	08	10	12	15	18	21	25
Height (in.)			24.3	28.2	32.1	32.1	32.1	40.0	43.9	43.9	43.9
Width (in.)			37.9	45.8	49.7	57.6	65.1	65.1	65.1	77.3	77.3
ITEM NO.	DESCRIPTION	AWL (in.) Weight (lb)									
8	Mixing Box Section	27.6 139	27.6 164	27.6 193	27.6 219	27.6 226	27.6 244	35.4 283	35.4 272	35.4 311	
9	Filter Mixing Box	27.6 150	27.6 173	27.6 208	27.6 227	27.6 245	27.6 279	35.4 327	35.4 340	35.4 395	
10	Flat Filter Section	7.9 37	7.9 43	7.9 48	7.9 50	7.9 55	7.9 74	7.9 75	7.9 86	7.9 90	
11	Angle Filter Section	19.7 75	19.7 82	19.7 97	19.7 107	19.7 114	19.7 134	19.7 140	19.7 159	19.7 185	
12	Access Section	19.7 48	19.7 55	19.7 60	19.7 64	19.7 68	19.7 74	19.7 77	19.7 87	19.7 92	
13	Preheat (Hot Water or Steam) Section	7.9 36	7.9 42	7.9 43	7.9 46	7.9 49	7.9 52	7.9 54	7.9 53	7.9 57	
14	Preheat (Electric) Section	19.7 49	19.7 56	19.7 61	19.7 66	19.7 72	19.7 74	19.7 76	19.7 87	19.7 89	

LEGEND  
AWL — Airway Length

NOTE: Unit weights do not include coils and motors.