



Service and Maintenance Instructions

TABLE OF CONTENTS

SAFETY CONSIDERATIONS	1
UNIT ARRANGEMENT AND ACCESS	3
RETURN AIR FILTERS	4
SUPPLY FAN (BLOWER) SECTION	4
STAGED AIR VOLUME CONTROL -2 SPEED FAN WITH VARIABLE FREQUENCY DRIVE (VFD)	8
ADDITIONAL VARIABLE FREQUENCY DRIVE (VFD) INSTALLATION AND TROUBLESHOOTING	9
MOTOR	9
COOLING	13
THERMOSTATIC EXPANSION VALVE (TXV)	15
PURON® (R-410A) REFRIGERANT	16
COOLING CHARGING CHARTS	18
COMPRESSOR	22
CONVENIENCE OUTLETS	25
SMOKE DETECTORS	26
SENSOR AND CONTROLLER TESTS	30
PROTECTIVE DEVICES	33
GAS HEATING SYSTEM	34
PREMIERLINK™ CONTROL	49
RTU-OPEN CONTROL SYSTEM	49
SENSORY/ACCESSORY INSTALLATION	49
ADDITIONAL RTU-OPEN INSTALLATION AND TROUBLESHOOTING	50
ECONOMIZER UNITS	52
PRE-START-UP/START-UP	61
START-UP, GENERAL	61
START-UP, PREMIERLINK™ CONTROLS	63
START-UP, RTU-OPEN CONTROLS	64
FASTENER TORQUE VALUES	64
APPENDIX I. MODEL NUMBER SIGNIFICANCE	65
APPENDIX II. PHYSICAL DATA	66
APPENDIX III. FAN PERFORMANCE	71
APPENDIX IV WIRING DIAGRAMS	89


APPENDIX V. MOTORMASTER SENSOR LOCATIONS	126
UNIT START-UP CHECKLIST	129

SAFETY CONSIDERATIONS

Installation and servicing of air-conditioning equipment can be hazardous due to system pressure and electrical components. Only trained and qualified service personnel should install, repair, or service air-conditioning equipment. Untrained personnel can perform the basic maintenance functions of replacing filters. Trained service personnel should perform all other operations.

When working on air-conditioning equipment, observe precautions in the literature, tags and labels attached to the unit, and other safety precautions that may apply. Follow all safety codes. Wear safety glasses and work gloves. Use quenching cloth for unbrazing operations. Have fire extinguishers available for all brazing operations.

Follow all safety codes. Wear safety glasses and work gloves. Use quenching cloth for brazing operations. Have fire extinguisher available. Read these instructions thoroughly and follow all warnings or cautions attached to the unit. Consult local building codes and National Electrical Code (NEC) for special requirements.

Recognize safety information. This is the safety ALERT symbol . When you see this symbol on the unit and in instructions or manuals, be aware of the potential for physical injury hazards.

Understand the signal words **DANGER**, **WARNING**, and **CAUTION**. These words are used with the safety-ALERT symbol. **DANGER** indicates a hazardous situation which, if not avoided, **will** result in death or severe personal injury. **WARNING** indicates a hazardous situation which, if not avoided, **could** result in death or personal injury. **CAUTION** indicates a hazardous situation which, if not avoided, **could** result in minor to moderate injury or product and property damage. **NOTICE** is used to address practices not related to physical injury. **NOTE** is used to highlight suggestions which **will** result in enhanced installation, reliability, or operation.

⚠ WARNING**ELECTRICAL OPERATION HAZARD**

Failure to follow this warning could result in personal injury or death.

Before performing service or maintenance operations on unit, LOCK-OUT/TAGOUT the main power switch to unit. Electrical shock and rotating equipment could cause severe injury.

⚠ WARNING**ELECTRICAL OPERATION HAZARD**

Failure to follow this warning could result in personal injury or death.

Units with convenience outlet circuits can use multiple disconnects. Check convenience outlet for power status before opening unit for service. Locate the disconnect switch and lock it in the open position it. LOCK-OUT/TAGOUT this switch to notify others.

⚠ WARNING**UNIT OPERATION AND SAFETY HAZARD**

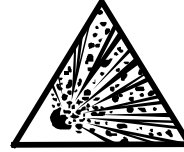
Failure to follow this warning could cause personal injury, death and/or equipment damage.

Puron (R-410A) refrigerant systems operate at higher pressures than standard R-22 systems. Do not use R-22 service equipment or components on Puron refrigerant equipment.

⚠ WARNING**FIRE, EXPLOSION HAZARD**

Failure to follow this warning could result in death, serious personal injury and/or property damage.

Disconnect gas piping from unit when pressure testing at pressure greater than 0.5 psig. Pressures greater than 0.5 psig will cause gas valve damage resulting in hazardous condition. If gas valve is subjected to pressure greater than 0.5 psig, it *must* be replaced before use. When pressure testing field-supplied gas piping at pressures of 0.5 psig or less, a unit connected to such piping must be isolated by closing the manual gas valve(s).

⚠ WARNING**FIRE, EXPLOSION HAZARD**

Failure to follow this warning could result in death, serious personal injury and/or property damage.

Never use air or gases containing oxygen for leak testing or for operating refrigerant compressors. Pressurized mixtures of air or gases containing oxygen can lead to an explosion.

⚠ WARNING**FIRE, EXPLOSION HAZARD**

Failure to follow this warning could result in death, serious personal injury and/or property damage.

Never use non-certified refrigerants in this product. Non-certified refrigerants could contain contaminants that could lead to unsafe operating conditions. Use **ONLY** refrigerants that conform to AHRI Standard 700.

CAUTION**UNIT DAMAGE HAZARD**

Failure to follow this caution may result in reduced unit performance or unit shutdown.

High velocity water from a pressure washer, garden hose, or compressed air should never be used to clean a coil. The force of the water or air jet will bend the fin edges and increase airside pressure drop.

NOTICE

OPERATIONAL TEST ALERT

Failure to follow this ALERT can result in an unnecessary evacuation of the facility.

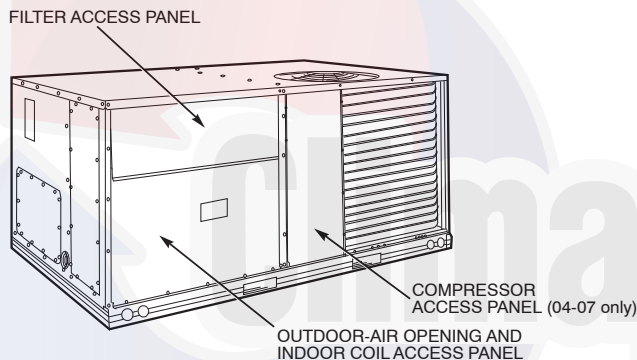
Pressing the controller's test/reset switch for longer than seven seconds will put the duct detector into the alarm state and activate all automatic alarm responses.

IMPORTANT: Lockout/Tagout is a term used when electrical power switches are physically locked preventing power to the unit. A placard is placed on the power switch alerting service personnel that the power is disconnected.

UNIT ARRANGEMENT AND ACCESS

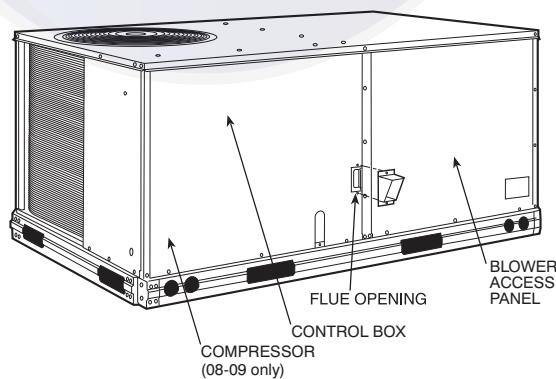
General

Fig. 1 and Fig. 2 show general unit arrangement and access locations.



C08449

Fig. 1 - Typical Access Panel Locations



C10266

Fig. 2 - Blower Access Panel Location

Routine Maintenance

These items should be part of a routine maintenance program, to be checked every month or two, until a specific schedule for each can be identified for this installation:

Quarterly Inspection (and 30 days after initial start)

- Return air filter replacement
- Outdoor hood inlet filters cleaned
- Belt tension checked
- Belt condition checked
- Pulley alignment checked
- Fan shaft bearing locking collar tightness checked
- Condenser coil cleanliness checked
- Condensate drain checked

Seasonal Maintenance

These items should be checked at the beginning of each season (or more often if local conditions and usage patterns dictate):

Air Conditioning

- Condenser fan motor mounting bolts tightness
- Compressor mounting bolts
- Condenser fan blade positioning
- Control box cleanliness and wiring condition
- Wire terminal tightness
- Refrigerant charge level
- Evaporator coil cleaning
- Evaporator blower motor amperage

Heating

- Heat exchanger flue passageways cleanliness
- Gas burner condition
- Gas manifold pressure
- Heating temperature rise

Economizer or Outside Air Damper

- Inlet filters condition
- Check damper travel (economizer)
- Check gear and dampers for debris and dirt

Air Filters and Screens

Each unit is equipped with return air filters. If the unit has an economizer, it will also have an outside air screen. If a manual outside air damper is added, an inlet air screen will also be present.

Each of these filters and screens will need to be periodically replaced or cleaned.

RETURN AIR FILTERS

CAUTION

EQUIPMENT DAMAGE HAZARD

Failure to follow this CAUTION can result in premature wear and damage to equipment.

DO NOT OPERATE THE UNIT WITHOUT THE RETURN AIR FILTERS IN PLACE.

Dirt and debris can collect on heat exchangers and coils possibly resulting in a small fire. Dirt buildup on components can cause excessive current used resulting in motor failure.

48HC

Return air filters are disposable fiberglass media type. Access to the filters is through the small lift-out panel located on the rear side of the unit, above the evaporator/return air access panel. (See Fig. 1.)

To remove the filters:

1. Grasp the bottom flange of the upper panel.
2. Lift up and swing the bottom out until the panel disengages and pulls out.
3. Reach inside and extract the filters from the filter rack.
4. Replace these filters as required with similar replacement filters of same size.

To re-install the access panel:

1. Slide the top of the panel up under the unit top panel.
2. Slide the bottom into the side channels.
3. Push the bottom flange down until it contacts the top of the lower panel (or economizer top).

Outside Air Hood

Outside air hood inlet screens are permanent aluminum-mesh type filters. Check these for cleanliness. Remove the screens when cleaning is required. Clean by washing with hot low-pressure water and soft detergent and replace all screens before restarting the unit. Observe the flow direction arrows on the side of each filter frame.

Economizer Inlet Air Screen

This air screen is retained by filter clips under the top edge of the hood. (See Fig. 3.)

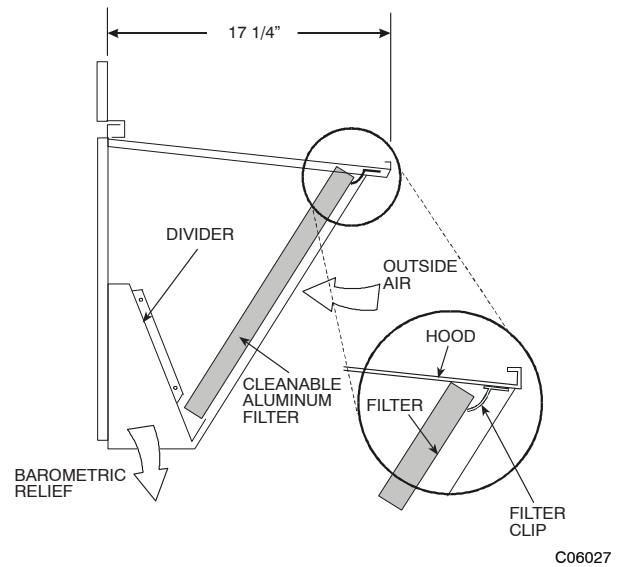


Fig. 3 - Filter Installation

To remove the filter, open the filter clips. Re-install the filter by placing the frame in its track, then closing the filter clips.

Manual Outside Air Hood Screen

This inlet screen is secured by a retainer angle across the top edge of the hood. (See Fig. 4.)

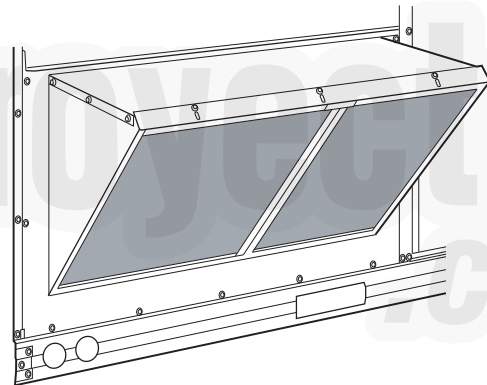


Fig. 4 - Screens Installed on Outdoor-Air Hood
(Sizes 7-1/2 to 8-1/2 Tons Shown)

To remove the screen, loosen the screws in the top retainer and slip the retainer up until the filter can be removed. Re-install by placing the frame in its track, rotating the retainer back down and tighten all screws.

SUPPLY FAN (BLOWER) SECTION

⚠ WARNING

ELECTRICAL SHOCK HAZARD

Failure to follow this warning could cause personal injury or death.

Before performing service or maintenance operations on unit, LOCK-OUT/TAGOUT the main power switch to unit. Electrical shock and rotating equipment could cause severe injury.

Supply Fan (Direct-Drive)

For unit sizes 04, 05 and 06, a direct-drive forward-curved centrifugal blower wheel is an available option. The motor has taps to provide the servicer with the selection of one of five motor torque/speed ranges to best match wheel performance with attached duct system. See Fig. 5 and Fig. 6 .

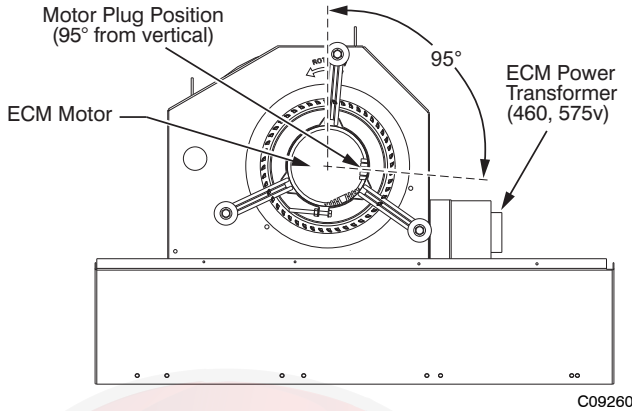


Fig. 5 - Direct-Drive Supply Fan Assembly

ECM Motor — The direct-drive motor is an X13 Electronically Commutated Motor (ECM). An ECM motor contains electronic circuitry used to convert single-phase line AC voltage into 3-phase DC voltage to power the motor circuit. The motor circuit is a DC brushless design with a permanent magnet rotor. On the X13 ECM Motor design, the electronic circuitry is integral to the motor assembly and cannot be serviced or replaced separately.

208/230V units use a 230V motor. 460V units use a 230V motor with a stepdown transformer (mounted on the end of the fan housing, see Fig. 5). 575V units use a 460V motor with an autotransformer. Motor power voltage is connected to motor terminals L and N (see Fig. 6 and Fig. 7); ground is connected at terminal G. The motor power voltage is ALWAYS present; it is not switched off by a motor contactor.

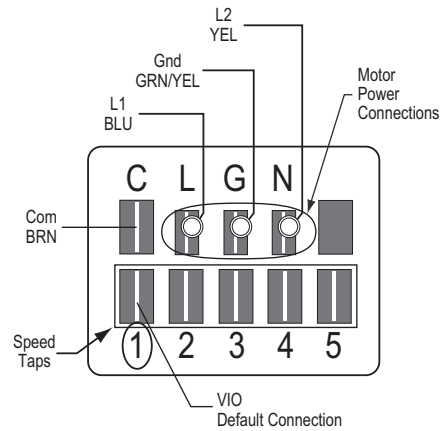


Fig. 6 - ECM Motor Connectors

C09261

Evaluating motor speed — The X13 ECM Motor uses a constant torque motor design. The motor speed is adjusted by the motor control circuitry to maintain the programmed shaft torque. Consequently there is no specific speed value assigned to each control tap setting. At the Position 5 tap, the motor speed is approximately 1050 RPM (17.5 r/s) but varies depending on fan wheel loading.

Selecting speed tap — The five communication terminals are each programmed to provide a different motor torque output. See Table 1. Factory default tap selection is Position 1 for lowest torque/speed operation.

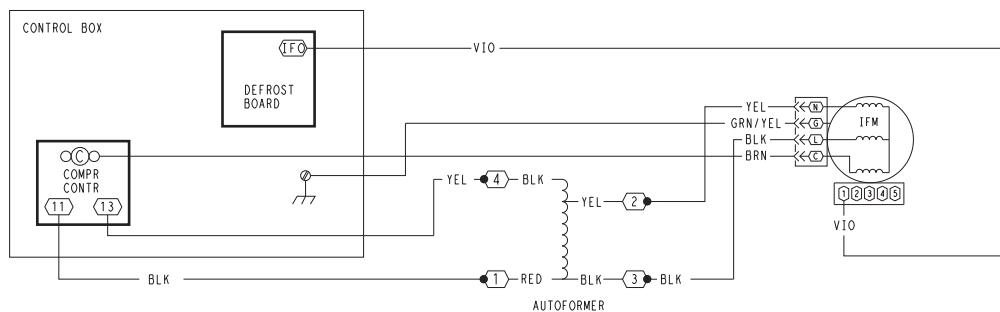
**Table 1 – Motor Tap Programing
(percent of full-load torque)**

Unit Size	Tap 1	Tap 2	Tap 3	Tap 4	Tap 5
04	32	38	45	50	100
05	46	58	61	69	100
06	73	82	85	90	100

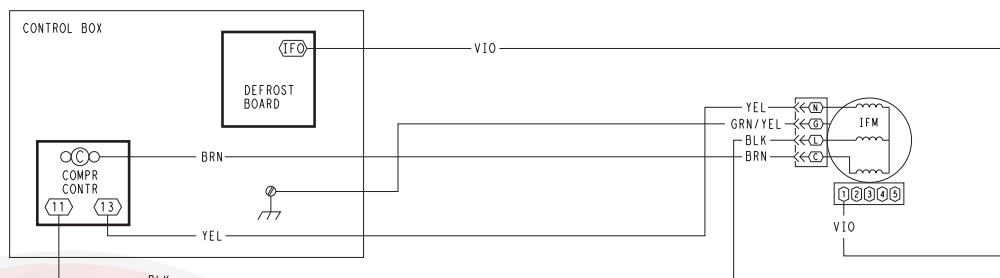
Factory Default: Tap 1 (VIO)

Selecting another speed:

1. Disconnect main power to the unit. Apply lockout/tagout procedures.
2. Remove the default motor signal lead (VIO) from terminal 1 at the motor communications terminal.
3. Reconnect the motor signal lead to the desired speed (terminals 1 through 5).
4. Connect main power to the unit.



460, 575-v Units



208/230-v Units

Fig. 7 - Direct-Drive Supply Fan Assembly

C09260

Motor “rocking” on start-up — When the motor first starts, the rotor (and attached wheel) will “rock” back and forth as the motor tests for rotational direction. Once the correct rotational direction is determined by the motor circuitry, the motor will ramp up to the specified speed. The “rocking” is a normal operating characteristic of ECM motors.

Troubleshooting the ECM motor — Troubleshooting the X13 ECM requires a voltmeter.

1. Disconnect main power to the unit.
2. Remove the motor power plug (including the control BRN lead) and VIO control signal lead at the motor terminals.
3. Restore main unit power.
4. Check for proper line voltage at motor power leads BLK (at L terminal) and YEL (at N terminal). See Table 2.

Table 2 – Motor Test Volts

Unit Voltage	Motor Voltage	Min–Max Volts
208/230	230	190–250
460	230	210–250
575	460	420–500

5. Using a jumper wire from unit control terminals R to G, engage motor operation. Check for 24v output at the defrost board terminal IFO.
6. Check for proper control signal voltages of 22V to 28V at motor signal leads VIO and BRN.
7. Disconnect unit main power. Apply lockout/tagout procedures.
8. Reconnect motor power and control signal leads at the motor terminals.

9. Restore unit main power.

10. The motor should start and run. If the motor does not start, remove the motor assembly. Replace the motor with one having the same part number. Do not substitute with an alternate design motor as the torque/ speed programming will not be the same as that on an original factory motor.

Replacing the X-13 ECM Motor — Before removing the ECM belly-band mounting ring from old motor:

1. Measure the distance from base of the motor shaft to the edge of the mounting ring.
2. Remove the motor mounting band and transfer it to the replacement motor.
3. Position the mounting band at the same distance that was measured in Step 1.
4. Hand-tighten mounting bolt only. Do not tighten securely at this time.
5. Insert the motor shaft into the fan wheel hub.
6. Securely tighten the three motor mount arms to the support cushions and torque the arm mounting screws to 60 in-lbs (6.8 Nm).
7. Center the fan wheel in the fan housing. Tighten the fan wheel hub setscrew and torque to 120 in-lbs (13.6 Nm).
8. Ensure the motor terminals are located at a position below the 3 o’clock position (see Fig. 5). Tighten the motor belly-band bolt and torque to 80 in-lbs (9.0 Nm).

Supply Fan (Belt-Drive)

The belt-drive supply fan system consists of a forward-curved centrifugal blower wheel on a solid shaft with two concentric type bearings, one on each side of the

blower housing. A fixed-pitch driven pulley is attached to the fan shaft and an adjustable-pitch driver pulley is on the motor. The pulleys are connected using a V-belt. (See Fig. 8.).

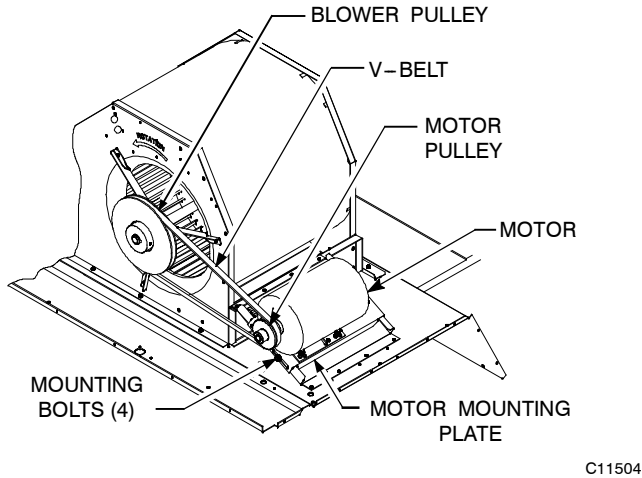


Fig. 8 - Typical Belt Drive Motor Mounting

Belt

Check the belt condition and tension quarterly. Inspect the belt for signs of cracking, fraying or glazing along the inside surfaces. Check belt tension by using a spring-force tool, such as Browning's "Belt Tension Checker" (p/n: 1302546 or equivalent tool); tension should be 6-lbs at a $\frac{5}{8}$ -in (1.6 cm) deflection when measured at the centerline of the belt span. This point is at the center of the belt when measuring the distance between the motor shaft and the blower shaft.

NOTE: Without the spring-tension tool, place a straight edge across the belt surface at the pulleys, then push down on the belt at mid-span using one finger until a $\frac{1}{2}$ -in. (1.3 cm) deflection is reached. See Fig. 9.

Adjust belt tension by loosening the motor mounting plate front and rear bolts and sliding the plate toward the fan (to reduce tension) or away from fan (to increase tension). Ensure the blower shaft and the motor shaft are parallel to each other (pulleys aligned). When finished, tighten all bolts and torque to 65-70 in-lb (7.4 to 7.9 Nm).

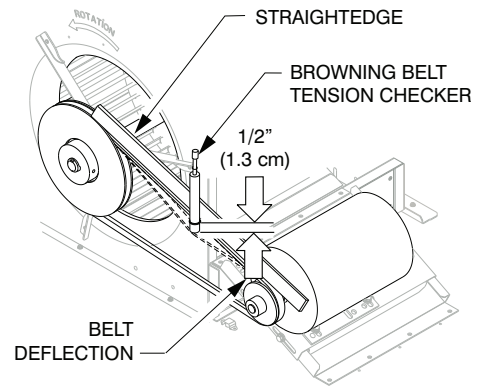


Fig. 9 - Checking Blower Motor Belt Tension

Replacing the Belt:

NOTE: Use a belt with same section type or similar size. Do not substitute a FHP-type belt. When installing the new belt, do not use a tool (screwdriver or pry-bar) to force the belt over the pulley flanges, this will stress the belt and cause a reduction in belt life. Damage to the pulley can also occur.

Use the following steps to replace the V-belt. See Fig. 8.

1. Loosen the front and rear motor mounting plate bolts.
2. Push the motor and its mounting plate towards the blower housing as close as possible to reduce the center distance between fan shaft and motor shaft.
3. Remove the belt by gently lifting the old belt over one of the pulleys.
4. Install the new belt by gently sliding the belt over both pulleys and then sliding the motor and plate away from the fan housing until proper tension is achieved.

CAUTION

EQUIPMENT DAMAGE HAZARD

Failure to follow this CAUTION can result in premature wear and damage to equipment.

Do not use a screwdriver or a pry bar to place the new V-belt in the pulley groove. This can cause stress on the V-belt and the pulley resulting in premature wear on the V-belt and damage to the pulley.

5. Check the alignment of the pulleys, adjust if necessary.
6. Tighten all bolts and torque to 65-70 in-lb (7.4 to 7.9 Nm).
7. Check the tension after a few hours of runtime and re-adjust as required.

Adjustable-Pitch Pulley on Motor

The motor pulley is an adjustable-pitch type that allows a servicer to implement changes in the fan wheel speed to match as-installed ductwork systems. The pulley consists of a fixed flange side that faces the motor (secured to the motor shaft) and a movable flange side that can be rotated

around the fixed flange side that increases or reduces the pitch diameter of this driver pulley. (See Fig. 10.)

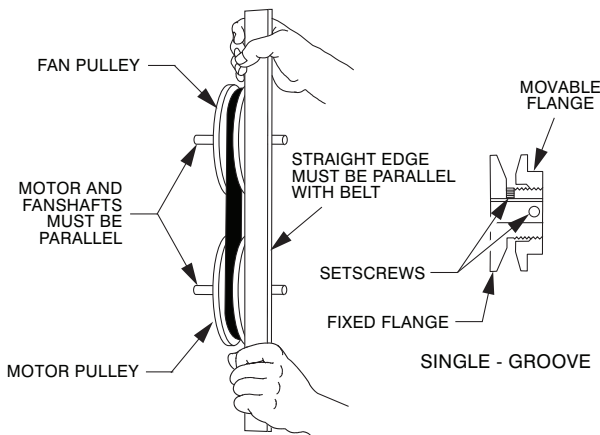


Fig. 10 - Supply-Fan Pulley Adjustment

C07075

As the pitch diameter is changed by adjusting the position of the movable flange, the centerline on this pulley shifts laterally (along the motor shaft). This creates a requirement for a realignment of the pulleys after any adjustment of the movable flange. Reset the belt tension after each realignment.

Inspect the condition of the motor pulley for signs of wear. Glazing of the belt contact surfaces and erosion on these surfaces are signs of improper belt tension and/or belt slippage. Replace pulley if wear is excessive.

Changing the Fan Speed:

1. Shut off unit power supply. Use proper lockout/tagout procedures.
2. Loosen belt by loosening fan motor mounting nuts. (See Fig. 8.)
3. Loosen movable pulley flange setscrew. (See Fig. 10.)
4. Screw movable flange toward fixed flange to increase speed and away from fixed flange to decrease speed. Increasing fan speed increases load on motor. Do not exceed the maximum specified speed.
5. Set movable flange at nearest keyway of pulley hub. Tighten setscrew and torque to 65-70 in-lb (7.4 to 7.9 Nm).

Aligning Blower and Motor Pulleys:

1. Loosen blower pulley setscrews.
2. Slide blower pulley along blower shaft. Make angular alignment by loosening motor mounting plate front and rear bolts.
3. Tighten blower pulley setscrews and motor mounting bolts. Torque bolts to 65-70 in-lb (7.4 to 7.9 Nm).
4. Recheck belt tension.

Bearings

The fan system uses bearings featuring concentric split locking collars. A Torx T-25 socket head cap screw is used to tighten the locking collars. Tighten the locking collar by holding it tightly against the inner race of the bearing. Tighten the socket head cap screw. Torque cap screw to 65-70 in-lb (7.4-7.9 Nm). See Fig. 11. Check

the condition of the motor pulley for signs of wear. Glazing of the belt contact surfaces and erosion on these surfaces are signs of improper belt tension and/or belt slippage. Pulley replacement can be necessary.

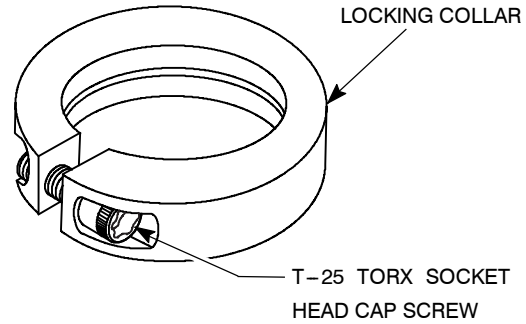


Fig. 11 - Tightening Locking Collar

C11505

STAGED AIR VOLUME CONTROL - 2 SPEED FAN WITH VARIABLE FREQUENCY DRIVE (VFD)

Staged Air Volume (SAV) Indoor Fan Speed System

The Staged Air Volume (SAV) system utilizes a Fan Speed control board and Variable Frequency Drive (VFD) to automatically adjust the indoor fan motor speed in sequence with the unit's ventilation, cooling and heating operation. Per ASHRAE 90.1 2010 standard section 6.4.3.10.b, during the first stage of cooling operation the SAV system will adjust the fan motor to provide two-thirds (2/3) of the design airflow rate for the unit. When the call for the second stage of cooling is required, the SAV system will allow the design airflow rate for the unit established (100%). During the heating mode, the SAV system will allow total design airflow rate (100%) operation. During ventilation mode, the SAV system will operate the fan motor at 2/3 speed.

Identifying Factory Option

This supplement only applies to units that meet the criteria detailed in Table 3. If the unit does not meet that criteria, discard this document.

Table 3 – Model-Size / VFD Option Indicator

Model / Sizes	Position in Model Number	VFD FIOP Indicator
48HC / 08-28	17	G, J

NOTE: See Fig. 75 for an example of Model Number Nomenclature.

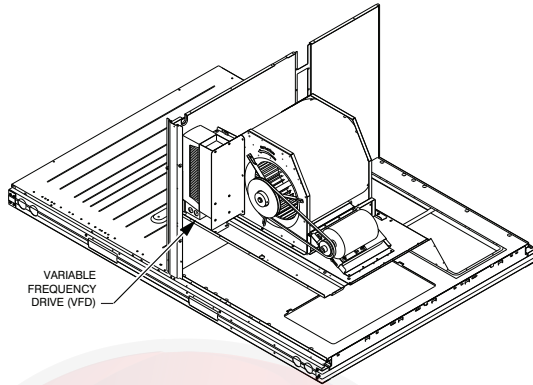
Unit Installation with SAV Option

48HC Rooftop — Refer to the base unit installation instructions for standard required operating and service clearances.

NOTE: The Remote VFD Keypad is a field-installed option. It is not included as part of the Factory installed VFD option.

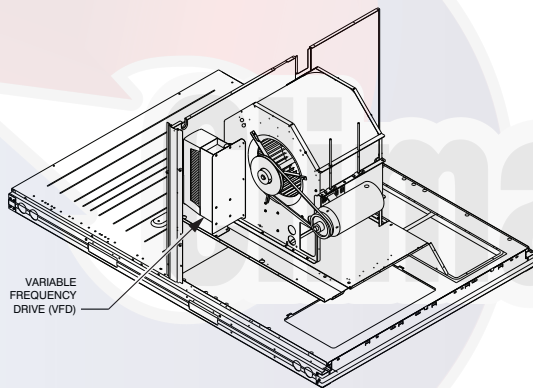
See “*Variable Frequency Drive (VFD) Installation, Setup and Troubleshooting Supplement*” for wiring schematics and performance charts and configuration.

See Figs 12, 13 and 14 for locations of the Variable Frequency Drive (VFD) as mounted on the various 48HC models.



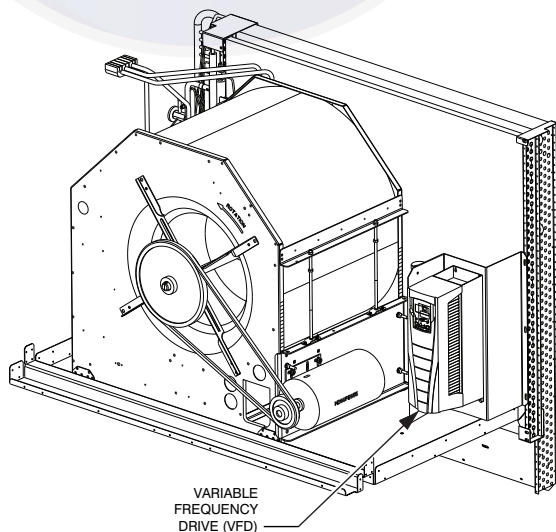
C11528

Fig. 12 - VFD Location for size 08-09



C11529

Fig. 13 - VFD Location for size 12



C11530

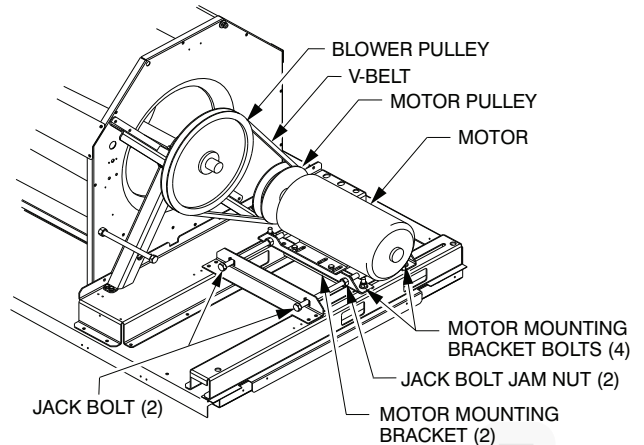
Fig. 14 - VFD Location for size 14

ADDITIONAL VARIABLE FREQUENCY DRIVE (VFD) INSTALLATION AND TROUBLESHOOTING

Additional installation, wiring and troubleshooting information for the Variable Frequency Drive can be found in the following manuals: “*Variable Frequency Drive (VFD) Installation, Setup and Troubleshooting Supplement.*”

MOTOR

When replacing the motor, use the following steps. See Fig. 15.



C12034

Fig. 15 - Replacing Belt Driven Motor
Replacing the Motor

Use the following steps to replace the belt-driven motor.

1. Turn off all electrical power to the unit. Use approved lockout/tagout procedures on all electrical power sources.
2. Remove cover on motor connection box.
3. Disconnect all electrical leads to the motor.
4. Loosen the two jack bolt jamnuts on the motor mounting bracket.
5. Turn two jack bolts counterclockwise until motor assembly moves closer to blower pulley.
6. Remove V-belt from blower pulley and motor pulley.

CAUTION

EQUIPMENT DAMAGE HAZARD

Failure to follow this CAUTION can result in premature wear and damage to equipment.

Do not use a screwdriver or a pry bar to place the new V-belt in the pulley groove. This can cause stress on the V-belt and the pulley resulting in premature wear on the V-belt and damage to the pulley.

7. Loosen the four mounting bracket bolts and lock washers.
8. Remove four bolts, four flat washers, four lock washers and four nuts attaching the motor mounting

- plate to the unit. Discard all lock washers.
9. Remove motor and motor mounting bracket from unit.
 10. Remove four bolts, flat washers, lock washers and single external-tooth lock washer attaching motor to the motor mounting plate. Discard all lock washers and external-tooth lock washer.
 11. Lift motor from motor mounting plate and set aside.
 12. Slide motor mounting band from old motor.
 13. Slide motor mounting band onto new motor and set motor onto the motor mounting plate.
 14. Remove variable pitch pulley from old motor and attach it to the new motor.
 15. Inspect variable pitch pulley for cracks and wear. Replace the pulley if necessary.
 16. Secure the pulley to the motor by tightening the pulley setscrew to the motor shaft.
 17. Insert four bolts and flat washers through mounting holes on the motor into holes on the motor mounting plate.
 18. On one bolt, place a new external-tooth lock washer between the motor and motor mounting band.
 19. Ensure the teeth of the external-tooth lock washer make contact with the painted base of the motor. This washer is essential for properly grounding motor.
 20. Install four new lock washers and four nuts on the bolts on the bottom of the motor mounting plate.
 21. Do Not tighten the mounting bolts at this time.
 22. Set new motor and motor mounting bracket back onto the unit. See Fig. 15.
 23. Install four bolts, four flat washers, four new lock washers and four nuts attaching the motor assembly to the unit.
 24. Do Not tighten the mounting bolts at this time.
 25. Install motor drive V-belt to motor pulley and blower wheel pulley. See CAUTION.
 26. Align the motor pulley and blower wheel pulley using a straight edge. See Fig. 10.
 27. Adjust the V-belt tension using adjustment tool.
 28. Turn two jack bolts clockwise, moving the motor assembly away from the blower pulley, increasing the V-belt tension.
 29. Tighten the four bolts securing the motor mounting brackets to the unit. Torque four bolts to 120 ± 12 in-lbs (14 ± 1.4 Nm).
 30. Remove cover on motor connection box.
 31. Re-connect all electrical leads to the motor and replace the connection box cover.
 32. Re-connect all electrical power to the unit. Remove lockout tags on all electrical power sources.
 33. Start unit and allow to run for a designated period.
 34. Shut off unit and make any necessary adjustments to the V-belt tension or the motor and blower wheel pulley alignment.

When replacing the motor, also replace the external-tooth lock washer (star washer) under the motor mounting base; this is part of the motor grounding system. Ensure the

teeth on the lock washer are in contact with the motor's painted base. Tighten motor mounting bolts to 120 ± 12 in-lbs.

Changing Fan Wheel Speed

Changing fan wheel speed by changing pulleys: The horsepower rating of the belt is primarily dictated by the pitch diameter of the smaller pulley in the drive system (typically the motor pulley in these units). Do not install a replacement motor pulley with a smaller pitch diameter than provided on the original factory pulley. Change fan wheel speed by changing the fan pulley (larger pitch diameter to reduce wheel speed, smaller pitch diameter to increase wheel speed) or select a new system (both pulleys and matching belt).

Before changing pulleys to increase fan wheel speed, check the fan performance at the target speed and airflow rate to determine new motor loading (bhp). Use the fan performance tables or use the Packaged Rooftop Builder software program. Confirm that the motor in this unit is capable of operating at the new operating condition. Fan shaft loading increases dramatically as wheel speed is increased.

To reduce vibration, replace the motor's adjustable pitch pulley with a fixed pitch pulley (after the final airflow balance adjustment). This will reduce the amount of vibration generated by the motor/belt-drive system.

REMOTE VFD KEYPAD REFERENCE

Table 4 – SRT Unit VFD Parameters — 48HC** 08-12

VFD Part Number	ABB Part Number	Description	Motor Part Number	Voltage (9905)	Nom Amps (9906)	Motor Nom Freq (9907)	Nom RPM (9908)	Nom HP (9909)	Const Speed Sel (1201)	Const Speed 1 (1202)	Const Speed 2 (1203)	Const Speed 3 (1204)	Relay Cut 3 (1403)	Max Amps (2003)	Min Freq (2007)	Max Freq (2008)	Switch Freq (2606)	Start Fcn (2101)	Stop Fcn (2102)	Accel/Decel (2201)	Accel (2202)	Decel (2203)
HK30WA364	ACH550-U0-012A-2	1.7 HP 230V	HD56FR233	230	5.8	60Hz	1725	1.7	DI 2,3	40Hz	60Hz	60Hz	16 FLT/Alarm	6.7	0Hz	60Hz	4kHz	Auto	Ramp	Not Sel	30 sec	30 sec
HK30WA356	ACH550-U0-012A-2	1.7 HP 460V	HD56FR463	460	2.9	60Hz	1725	1.7	DI 2,3	40Hz	60Hz	60Hz	16 FLT/Alarm	3.3	0Hz	60Hz	4kHz	Auto	Ramp	Not Sel	30 sec	30 sec
HK30WA366	ACH550-U0-017A-2	1.7 HP 575V	HD56FR579	575	3.1	60Hz	1725	1.7	DI 2,3	40Hz	60Hz	60Hz	16 FLT/Alarm	3.6	0Hz	60Hz	4kHz	Auto	Ramp	Not Sel	30 sec	30 sec
HK30WA352	ACH550-U0-024A-2	2.4 HP 230V	HD56FE633	230	7.9	60Hz	1725	2.4	DI 2,3	40Hz	60Hz	60Hz	16 FLT/Alarm	9.1	0Hz	60Hz	4kHz	Auto	Ramp	Not Sel	30 sec	30 sec
HK30WA356	ACH550-U0-06A9-4	2.4 HP 460V	HD56FE633	460	4	60Hz	1725	2.4	DI 2,3	40Hz	60Hz	60Hz	16 FLT/Alarm	4.6	0Hz	60Hz	4kHz	Auto	Ramp	Not Sel	30 sec	30 sec
HK30WA360	ACH550-U0-06A9-4	2.4 HP 575V	HD56FE577	575	3.4	60Hz	1725	2.4	DI 2,3	40Hz	60Hz	60Hz	16 FLT/Alarm	3.9	0Hz	60Hz	4kHz	Auto	Ramp	Not Sel	30 sec	30 sec
HK30WA352	ACH550-U0-06A9-4	2.9 HP 230V	HD58FE654	230	9.2	60Hz	1725	2.9	DI 2,3	40Hz	60Hz	60Hz	16 FLT/Alarm	10.6	0Hz	60Hz	4kHz	Auto	Ramp	Not Sel	30 sec	30 sec
HK30WA356	ACH550-U0-08A8-4	2.9 HP 460V	HD58FE654	460	4.6	60Hz	1725	2.9	DI 2,3	40Hz	60Hz	60Hz	16 FLT/Alarm	5.3	0Hz	60Hz	4kHz	Auto	Ramp	Not Sel	30 sec	30 sec
HK30WA353	ACH550-U0-012A-4	3.7 HP 230V	HD60FE656	230	11.2	60Hz	1725	3.7	DI 2,3	40Hz	60Hz	60Hz	16 FLT/Alarm	12.9	0Hz	60Hz	4kHz	Auto	Ramp	Not Sel	30 sec	30 sec
HK30WA357	ACH550-U0-03A9-6	3.7 HP 460V	HD60FE656	460	5.6	60Hz	1725	3.7	DI 2,3	40Hz	60Hz	60Hz	16 FLT/Alarm	6.4	0Hz	60Hz	4kHz	Auto	Ramp	Not Sel	30 sec	30 sec
HK30WA361	ACH550-U0-06A1-6	3.7 HP 575V	HD58FE577	575	4.2	60Hz	1725	3.7	DI 2,3	40Hz	60Hz	60Hz	16 FLT/Alarm	4.8	0Hz	60Hz	4kHz	Auto	Ramp	Not Sel	30 sec	30 sec
HK30WA354	ACH550-U0-09A0-6	5.3 HP 230V	HD60FK658	230	13	60Hz	1740	5.3	DI 2,3	40Hz	60Hz	60Hz	16 FLT/Alarm	15.0	0Hz	60Hz	4kHz	Auto	Ramp	Not Sel	30 sec	30 sec
HK30WA358	ACH550-U0-07A5-2	5.3 HP 460V	HD60FK658	460	6.4	60Hz	1740	5.3	DI 2,3	40Hz	60Hz	60Hz	16 FLT/Alarm	7.4	0Hz	60Hz	4kHz	Auto	Ramp	Not Sel	30 sec	30 sec
HK30WA362	ACH550-U0-02A7-6	5.3 HP 575V	HD60FE576	575	5.4	60Hz	1725	5.3	DI 2,3	40Hz	60Hz	60Hz	16 FLT/Alarm	6.2	0Hz	60Hz	4kHz	Auto	Ramp	Not Sel	30 sec	30 sec

48HC



REMOTE VFD KEYPAD REFERENCE (CONT)

Table 5 – SRT Unit VFD Parameters — 48HC** 14

VFD Part Number	ABB Part Number	Description	Motor Part Number	Voltage (9905)	Nom Amps (9906)	Motor Nom Freq (9907)	Nom RPM (9908)	Nom HP (9909)	Const Speed Sel (1201)	Const Speed 1 (1202)	Const Speed 2 (1203)	Const Speed 3 (1204)	Relay Out 3 (1403)	Max Amps (2003)	Min Freq (2007)	Max Freq (2008)	Switch Freq (2806)	Start Fcn (2101)	Stop Fcn (2102)	Accel/Decel (2201)	Accel (2202)	Decel (2203)
HK30WA352	ACH550-U0-012A-2	2.4 HP 230V	HD58FE653	230	7.9	60Hz	1725	2.4	DI 2,3	40Hz	60Hz	60Hz	16 FLT/ Alarm	9.1	0Hz	60Hz	4kHz	Auto	Ramp	Not Sel	30 sec	30 sec
HK30WA356	ACH550-U0-012A-2	2.4 HP 460V	HD58FE653	460	4	60Hz	1725	2.4	DI 2,3	40Hz	60Hz	60Hz	16 FLT/ Alarm	4.6	0Hz	60Hz	4kHz	Auto	Ramp	Not Sel	30 sec	30 sec
HK30WA360	ACH550-U0-017A-2	2.4 HP 575V	HD58FE577	575	3.4	60Hz	1725	2.4	DI 2,3	40Hz	60Hz	60Hz	16 FLT/ Alarm	3.9	0Hz	60Hz	4kHz	Auto	Ramp	Not Sel	30 sec	30 sec
HK30WA352	ACH550-U0-024A-2	2.9 HP 230V	HD58FE654	230	9.2	60Hz	1725	2.9	DI 2,3	40Hz	60Hz	60Hz	16 FLT/ Alarm	10.6	0Hz	60Hz	4kHz	Auto	Ramp	Not Sel	30 sec	30 sec
HK30WA356	ACH550-U0-024A-2	2.9 HP 460V	HD58FE654	460	4.6	60Hz	1725	2.9	DI 2,3	40Hz	60Hz	60Hz	16 FLT/ Alarm	5.3	0Hz	60Hz	4kHz	Auto	Ramp	Not Sel	30 sec	30 sec
HK30WA353	ACH550-U0-06A9-4	3.7 HP 230V	HD60FE656	230	11.2	60Hz	1725	3.7	DI 2,3	40Hz	60Hz	60Hz	16 FLT/ Alarm	12.9	0Hz	60Hz	4kHz	Auto	Ramp	Not Sel	30 sec	30 sec
HK30WA357	ACH550-U0-06A9-4	3.7 HP 460V	HD60FE656	460	5.6	60Hz	1725	3.7	DI 2,3	40Hz	60Hz	60Hz	16 FLT/ Alarm	6.4	0Hz	60Hz	4kHz	Auto	Ramp	Not Sel	30 sec	30 sec
HK30WA361	ACH550-U0-08A8-4	3.7 HP 575V	HD58FE577	575	4.2	60Hz	1725	3.7	DI 2,3	40Hz	60Hz	60Hz	16 FLT/ Alarm	4.8	0Hz	60Hz	4kHz	Auto	Ramp	Not Sel	30 sec	30 sec
HK30WA354	ACH550-U0-012A-4	5.0 HP 230V	HD60FL657	230	16.7	60Hz	1745	5	DI 2,3	40Hz	60Hz	60Hz	16 FLT/ Alarm	19.2	0Hz	60Hz	4kHz	Auto	Ramp	Not Sel	30 sec	30 sec
HK30WA358	ACH550-U0-012A-4	5.0 HP 460V	HD60FL657	460	8.4	60Hz	1745	5	DI 2,3	40Hz	60Hz	60Hz	16 FLT/ Alarm	9.7	0Hz	60Hz	4kHz	Auto	Ramp	Not Sel	30 sec	30 sec
HK30WA362	ACH550-U0-03A9-6	5.0 HP 575V	HD60FL575	575	5.1	60Hz	1725	5	DI 2,3	40Hz	60Hz	60Hz	16 FLT/ Alarm	5.9	0Hz	60Hz	4kHz	Auto	Ramp	Not Sel	30 sec	30 sec
HK30WA354	ACH550-U0-06A1-6	5.0 HP 230V	HD60FK657	230	14.7	60Hz	1760	5	DI 2,3	40Hz	60Hz	60Hz	16 FLT/ Alarm	16.9	0Hz	60Hz	4kHz	Auto	Ramp	Not Sel	30 sec	30 sec
HK30WA358	ACH550-U0-09A0-6	5.0 HP 460V	HD60FK657	460	6.8	60Hz	1760	5	DI 2,3	40Hz	60Hz	60Hz	16 FLT/ Alarm	7.8	0Hz	60Hz	4kHz	Auto	Ramp	Not Sel	30 sec	30 sec
HK30WA362	ACH550-U0-09A0-6	5.0 HP 575V	HD60FL576	575	5.4	60Hz	1745	5	DI 2,3	40Hz	60Hz	60Hz	16 FLT/ Alarm	6.2	0Hz	60Hz	4kHz	Auto	Ramp	Not Sel	30 sec	30 sec

ectos.com

COOLING

⚠ WARNING

UNIT OPERATION AND SAFETY HAZARD

Failure to follow this warning could cause personal injury, death and/or equipment damage.

This system uses Puron® refrigerant which has higher pressures than R-22 and other refrigerants. No other refrigerant may be used in this system. Gauge set, hoses, and recovery system must be designed to handle Puron refrigerant. If unsure about equipment, consult the equipment manufacturer.

Condenser Coil

The condenser coil is fabricated with round tube copper hairpins and plate fins of various materials and/or coatings (see Model Number Format in the Appendix to identify the materials provided in this unit). The coil may be one-row or composite-type two-row. Composite two-row coils are two single-row coils fabricated with a single return bend end tubesheet.

Condenser Coil Maintenance and Cleaning Recommendation

Routine cleaning of coil surfaces is essential to maintain proper operation of the unit. Elimination of contamination and removal of harmful residues will greatly increase the life of the coil and extend the life of the unit. The following maintenance and cleaning procedures are recommended as part of the routine maintenance activities to extend the life of the coil.

Remove Surface Loaded Fibers

Surface loaded fibers or dirt should be removed with a vacuum cleaner. If a vacuum cleaner is not available, a soft non-metallic bristle brush may be used. In either case, the tool should be applied in the direction of the fins. Coil surfaces can be easily damaged (fin edges can be easily bent over and damage to the coating of a protected coil) if the tool is applied across the fins.

NOTE: Use of a water stream, such as a garden hose, against a surface loaded coil will drive the fibers and dirt into the coil. This will make cleaning efforts more difficult. Surface loaded fibers must be completely removed prior to using low velocity clean water rinse.

Periodic Clean Water Rinse

A periodic clean water rinse is very beneficial for coils that are applied in coastal or industrial environments. However, it is very important that the water rinse is made with a very low velocity water stream to avoid damaging the fin edges. Monthly cleaning as described below is recommended.

Routine Cleaning of Coil Surfaces

Periodic cleaning with Totaline® environmentally sound coil cleaner is essential to extend the life of coils. This cleaner is available from Replacement Components Division as part number P902-0301 for a one gallon container, and part number P902-0305 for a 5 gallon container. It is recommended that all coils, including standard aluminum, pre-coated, copper/copper or E-coated coils be cleaned with the Totaline environmentally sound coil cleaner as described below. Coil cleaning should be part of the unit's regularly scheduled maintenance procedures to ensure long life of the coil. Failure to clean the coils may result in reduced durability in the environment.

Avoid use of:

- coil brighteners
- acid cleaning prior to painting
- high pressure washers
- poor quality water for cleaning

Totaline environmentally sound coil cleaner is nonflammable, hypo allergenic, non bacterial, and a USDA accepted biodegradable agent that will not harm the coil or surrounding components such as electrical wiring, painted metal surfaces, or insulation. Use of non-recommended coil cleaners is strongly discouraged since coil and unit durability could be affected.

One-Row Coil

Wash coil with commercial coil cleaner. It is not necessary to remove top panel.

Two-Row Coils

Clean coil as follows:

1. Turn off unit power, tag disconnect.
2. Remove top panel screws on condenser end of unit.
3. Remove condenser coil corner post. See Fig. 16. To hold top panel open, place coil corner post between top panel and center post. See Fig. 17.

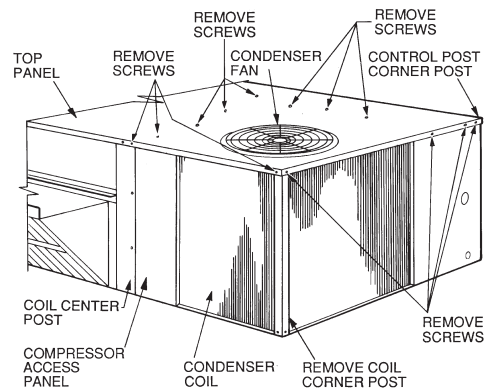
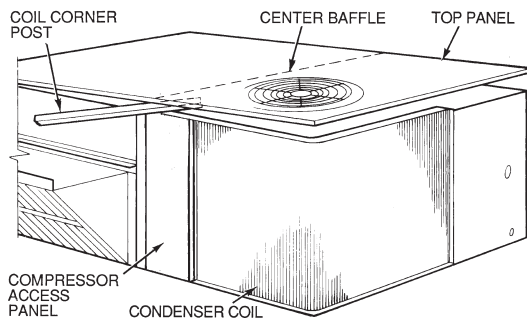


Fig. 16 - Cleaning Condenser Coil

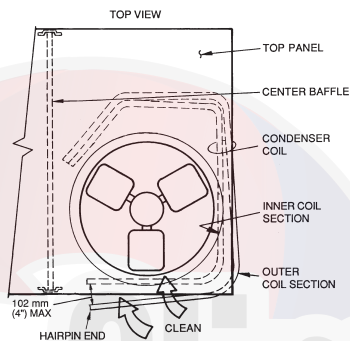
C08205



C08206

Fig. 17 - Propping Up Top Panel

4. Remove screws securing coil to compressor plate and compressor access panel.
5. Remove fastener holding coil sections together at return end of condenser coil. Carefully separate the outer coil section 3 to 4 in. from the inner coil section. See Fig. 18.



C08207

Fig. 18 - Separating Coil Sections

6. Use a water hose or other suitable equipment to flush down between the 2 coil sections to remove dirt and debris. Clean the outer surfaces with a stiff brush in the normal manner.
7. Secure inner and outer coil rows together with a field-supplied fastener.
8. Reposition the outer coil section and remove the coil corner post from between the top panel and center post. Reinstall the coil corner post and replace all screws.

Totaline Environmentally Sound Coil Cleaner Application Equipment

- 2-1/2 gallon garden sprayer
- Water rinse with low velocity spray nozzle

CAUTION

UNIT DAMAGE HAZARD

Failure to follow this caution may result in reduced unit performance or unit shutdown.

High velocity water from a pressure washer, garden hose, or compressed air should never be used to clean a coil. The force of the water or air jet will bend the fin edges and increase airside pressure drop.

CAUTION

UNIT DAMAGE HAZARD

Failure to follow this caution may result in accelerated corrosion of unit parts.

Harsh chemicals, household bleach or acid or basic cleaners should not be used to clean outdoor or indoor coils of any kind. These cleaners can be very difficult to rinse out of the coil and can accelerate corrosion at the fin/tube interface where dissimilar materials are in contact. If there is dirt below the surface of the coil, use the Totaline environmentally sound coil cleaner.

Totaline Environmentally Sound Coil Cleaner Application Instructions

1. Proper eye protection such as safety glasses is recommended during mixing and application.
2. Remove all surface loaded fibers and dirt with a vacuum cleaner as described above.
3. Thoroughly wet finned surfaces with clean water and a low velocity garden hose, being careful not to bend fins.
4. Mix Totaline environmentally sound coil cleaner in a 2-1/2 gallon garden sprayer according to the instructions included with the cleaner. The optimum solution temperature is 100°F.

NOTE: Do NOT USE water in excess of 130°F, as the enzymatic activity will be destroyed.

5. Thoroughly apply Totaline environmentally sound coil cleaner solution to all coil surfaces including finned area, tube sheets and coil headers.
6. Hold garden sprayer nozzle close to finned areas and apply cleaner with a vertical, up-and-down motion. Avoid spraying in horizontal pattern to minimize potential for fin damage.
7. Ensure cleaner thoroughly penetrates deep into finned areas.
8. Interior and exterior finned areas must be thoroughly cleaned.
9. Finned surfaces should remain wet with cleaning solution for 10 minutes.
10. Ensure surfaces are not allowed to dry before rinsing. Reapplying cleaner as needed to ensure 10-minute saturation is achieved.
11. Thoroughly rinse all surfaces with low velocity clean water using downward rinsing motion of water spray nozzle. Protect fins from damage from the spray nozzle.

Evaporator Coil

Cleaning the Evaporator Coil

1. Turn unit power off. Install lockout tag. Remove evaporator coil access panel.
2. If economizer or two-position damper is installed, remove economizer by disconnecting Molex plug and removing mounting screws.
3. Slide filters out of unit.

4. Clean coil using a commercial coil cleaner or dishwasher detergent in a pressurized spray canister. Wash both sides of coil and flush with clean water. For best results, back-flush toward return-air section to remove foreign material. Flush condensate pan after completion.
5. Reinstall economizer and filters.
6. Reconnect wiring.
7. Replace access panels.

THERMOSTATIC EXPANSION VALVE (TXV)

All 48HC's have a factory installed nonadjustable thermostatic expansion valve (TXV). The TXV will be a bi-flow, bleed port expansion valve with an external equalizer. TXVs are specifically designed to operate with Puron® or R-22 refrigerant, use only factory authorized TXVs. Do not interchange Puron and R-22 TXVs.

TXV Operation

The TXV is a metering device that is used in air conditioning and heat pump systems to adjust to the changing load conditions by maintaining a preset superheat temperature at the outlet of the evaporator coil. See Fig. 20.

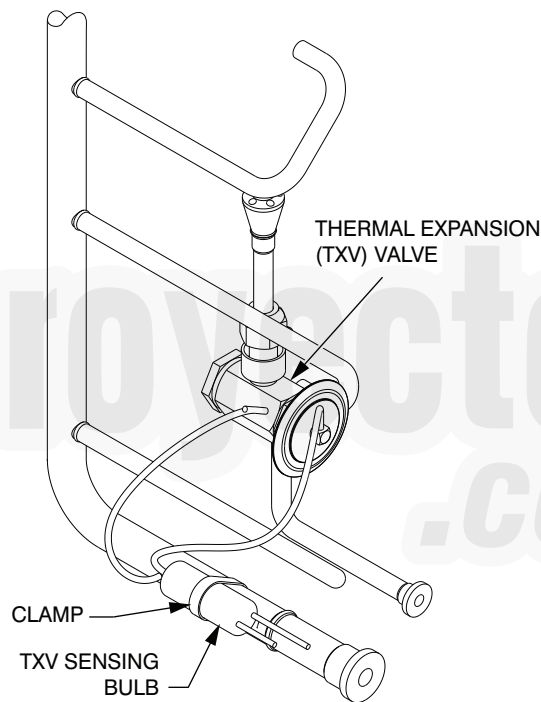
The volume of refrigerant metered through the valve seat is dependent upon the following:

1. Superheat temperature is sensed by cap tube sensing bulb on suction tube at outlet of evaporator coil. This temperature is converted into pressure by refrigerant in the bulb pushing downward on the diaphragm which opens the valve using the push rods.
2. The suction pressure at the outlet of the evaporator coil is transferred through the external equalizer tube to the underside of the diaphragm.
3. The pin is spring loaded, which exerts pressure on the underside of the diaphragm. Therefore, the bulb pressure works against the spring pressure and evaporator suction pressure to open the valve. If the load increases, the temperature increases at the bulb, which increases the pressure on the top side of the diaphragm. This opens the valve and increases the flow of refrigerant. The increased refrigerant flow causes the leaving evaporator temperature to decrease. This lowers the pressure on the diaphragm and closes the pin. The refrigerant flow is effectively stabilized to the load demand with negligible change in superheat.

Replacing TXV

1. Recover refrigerant.
2. Remove TXV support clamp using a 5/16-in. nut driver.

3. Remove TXV using a wrench and an additional wrench on connections to prevent damage to tubing.
4. Remove equalizer tube from suction line of coil. Use file or tubing cutter to cut brazed equalizer line approximately 2 inches above suction tube.
5. Remove bulb from vapor tube inside cabinet.
6. Install the new TXV using a wrench and an additional wrench on connections to prevent damage to tubing while attaching TXV to distributor.
7. Attach the equalizer tube to the suction line. If the coil has mechanical a connection, then use a wrench and an additional wrench on connections to prevent damage. If the coil has a brazed connection, use a file or a tubing cutter to remove the mechanical flare nut from the equalizer line. Then use a new coupling to braze the equalizer line to the stub (previous equalizer line) in suction line.
8. Attach TXV bulb in the same location where the original (in the sensing bulb indent) was when it was removed, using the supplied bulb clamps. See Fig. 19.

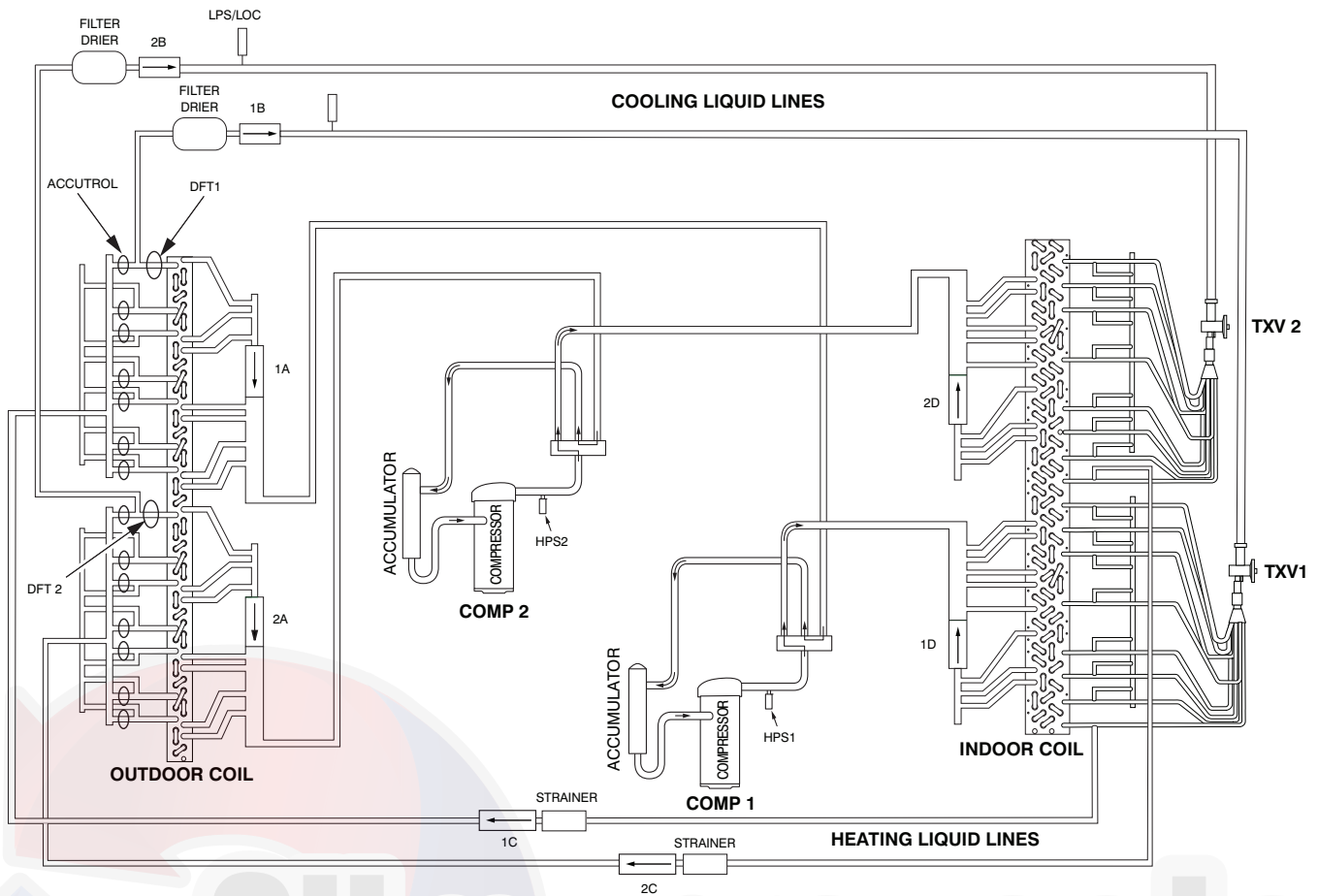


SENSING BULB INSULATION REMOVED FOR CLARITY

C10372

Fig. 19 - TXV Valve and Sensing Bulb Location

9. Route equalizer tube through suction connection opening (large hole) in fitting panel and install fitting panel in place.
10. Sweat the inlet of TXV marked "IN" to the liquid line. Avoid excessive heat which could damage the TXV valve.



C12046

Fig. 20 - Typical TXV Piping Schematic

Refrigerant System Pressure Access Ports

There are two access ports in the system - on the suction tube near the compressor and on the discharge tube near the compressor. These are brass fittings with black plastic caps. The hose connection fittings are standard 1/4 SAE male flare couplings.

The brass fittings are two-piece High Flow valves, with a receptacle base brazed to the tubing and an integral spring-closed check valve core screwed into the base. See Fig. 21. This check valve is permanently assembled into this core body and cannot be serviced separately; replace the entire core body if necessary. Service tools are available from RCD that allow the replacement of the check valve core without having to recover the entire system refrigerant charge. Apply compressor refrigerant oil to the check valve core's bottom o-ring. Install the fitting body with 96 ± 10 in-lbs (10.85 ± 1.1 Nm) of torque; do not overtighten.

PURON® (R-410A) REFRIGERANT

This unit is designed for use with Puron (R-410A) refrigerant. Do not use any other refrigerant in this system. Puron (R-410A) refrigerant is provided in pink (rose) colored cylinders.

Puron (R-410A) refrigerant is provided in pink (rose) colored cylinders. These cylinders are available with and without dip tubes; cylinders with dip tubes will have a

label indicating this feature. For a cylinder with a dip tube, place the cylinder in the upright position (access valve at the top) when removing liquid refrigerant for charging. For a cylinder without a dip tube, invert the cylinder (access valve on the bottom) when removing liquid refrigerant.

Because Puron (R-410A) refrigerant is a blend, it is strongly recommended that refrigerant always be removed from the cylinder as a liquid. Admit liquid refrigerant into the system in the discharge line. If adding refrigerant into the suction line, use a commercial metering/expansion device at the gauge manifold; remove liquid from the cylinder, pass it through the metering device at the gauge set and then pass it into the suction line as a vapor. Do not remove Puron (R-410A) refrigerant from the cylinder as a vapor.

Refrigerant Charge

Amount of refrigerant charge is listed on the unit's nameplate. Refer to Carrier GTAC2-5 Charging, Recovery, Recycling and Reclamation training manual and the following procedures.

Unit panels must be in place when unit is operating during the charging procedure.

No Charge

Use standard evacuating techniques. After evacuating system, weigh in the specified amount of refrigerant.

Low-Charge Cooling

Using Cooling Charging Charts, Fig. 22 through Fig. 29, vary refrigerant until the conditions of the appropriate chart are met. Note the charging charts are different from type normally used. Charts are based on charging the units to the correct sub-cooling for the various operating conditions. Accurate pressure gauge and temperature sensing device are required. Connect the pressure gauge to the service port on the liquid line. Mount the temperature sensing device on the liquid line and insulate it so that outdoor ambient temperature does not affect the reading. Indoor-air cfm must be within the normal operating range of the unit.

SIZE DESIGNATION	NOMINAL TONS REFERENCE
04	3
05	4
06	5
07	6
08	7.5
09	8.5
12	10
14	12.5

EXAMPLE:

Model 48HC*A04

Outdoor Temperature 85°F (29°C)

Suction Pressure 140 psig (965 kPa)

Suction Temperature should be 60°F (16°C)

Using Cooling Charging Charts

Take the outdoor ambient temperature and read the liquid pressure gauge. Refer to chart to determine what liquid temperature should be. If liquid temperature is low, add refrigerant. If liquid temperature is high, carefully recover some of the charge. Recheck the liquid pressure as charge is adjusted.

48HC

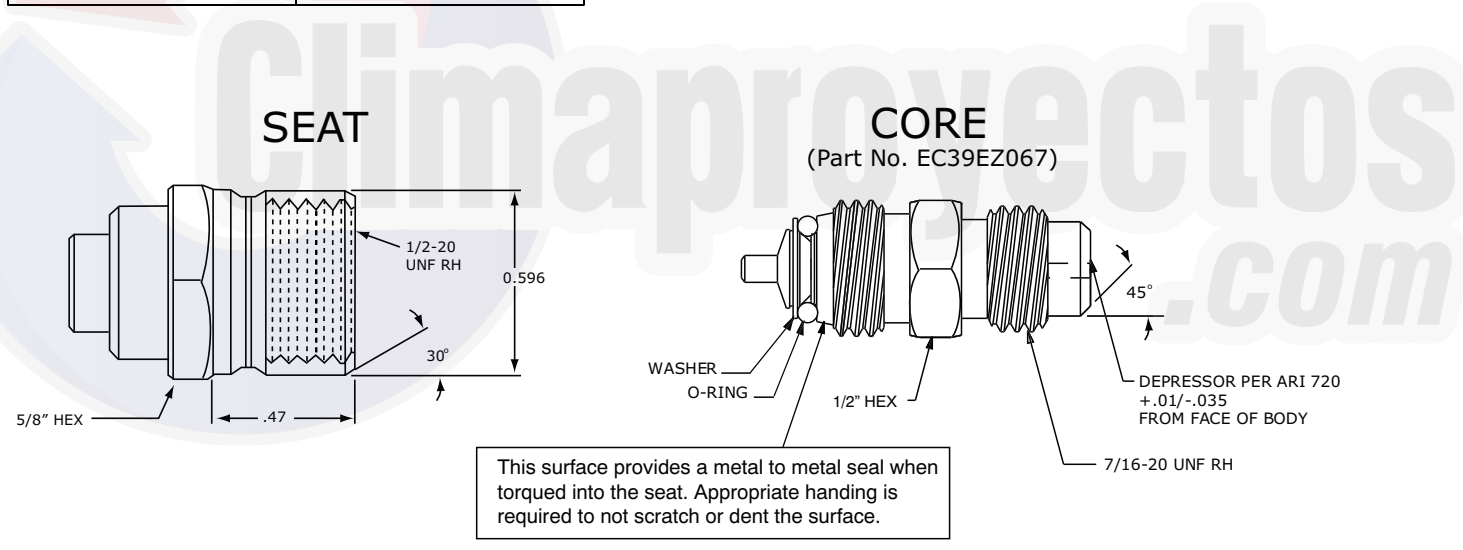


Fig. 21 - CoreMax Access Port Assembly

C08453

COOLING CHARGING CHARTS

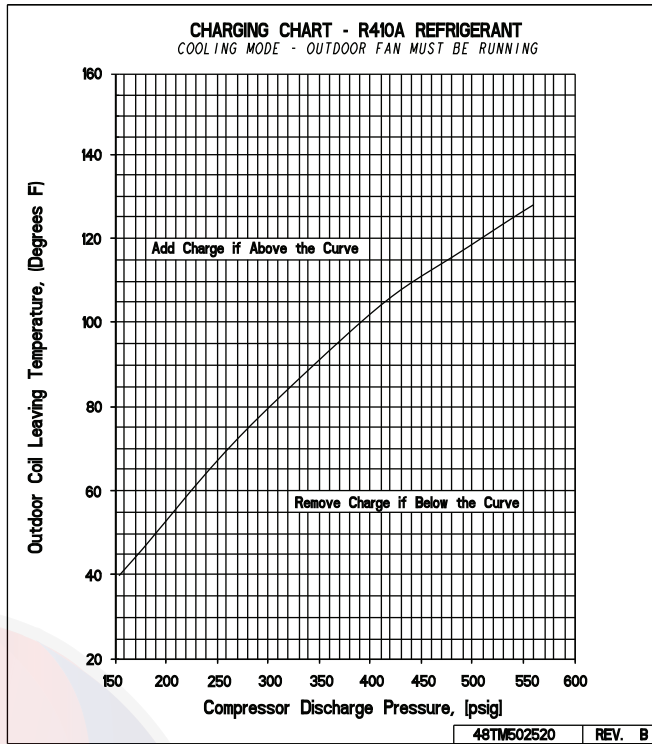


Fig. 22 - Cooling Charging Charts - 3 Ton

C14053

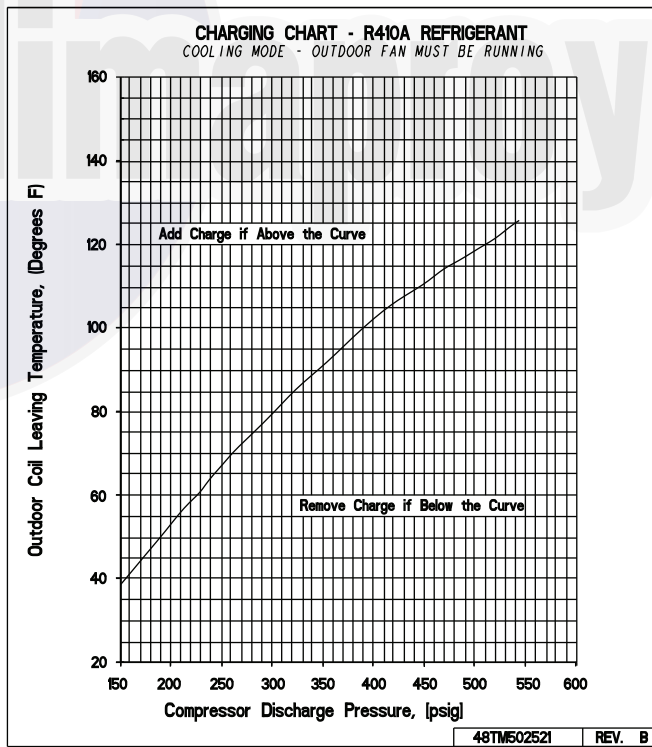
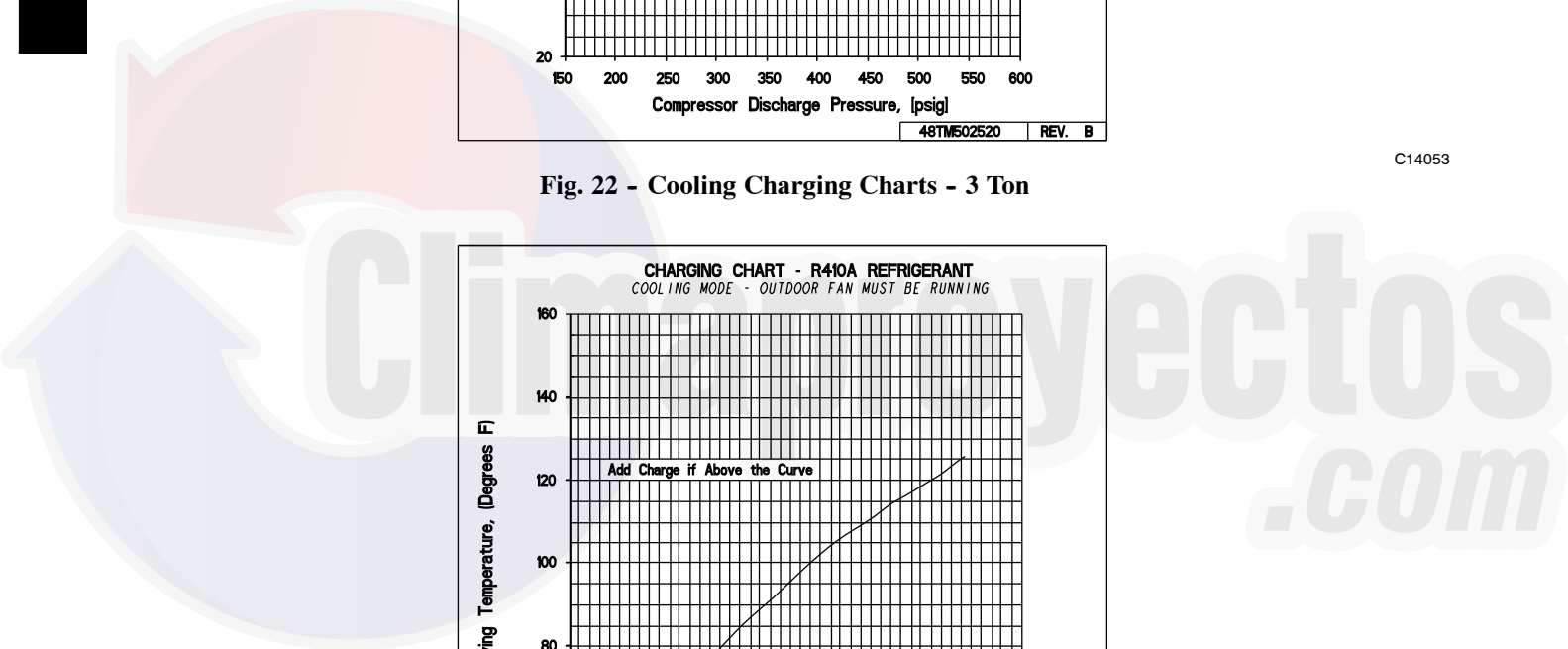


Fig. 23 - Cooling Charging Chart - 4 Ton

C14054

48HC



COOLING CHARGING CHARTS (cont.)

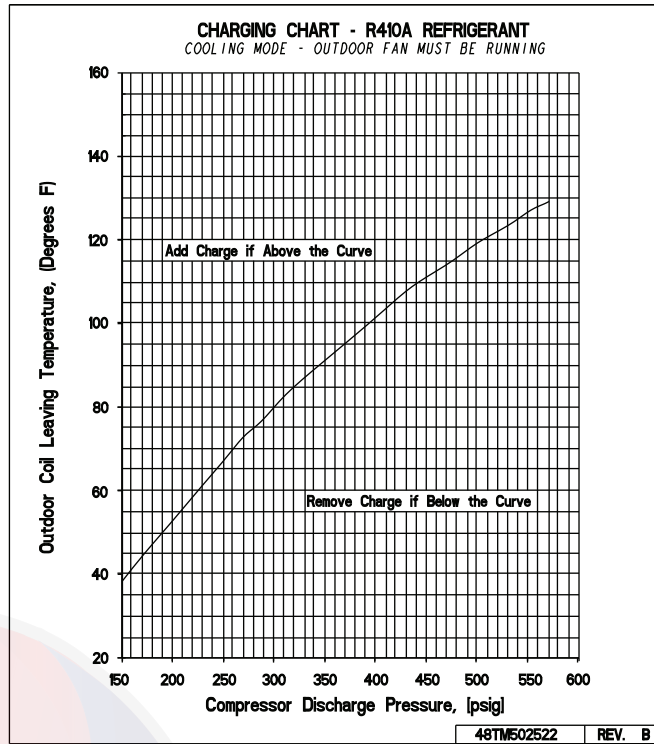


Fig. 24 - Cooling Charging Chart - 5 Ton

C14055

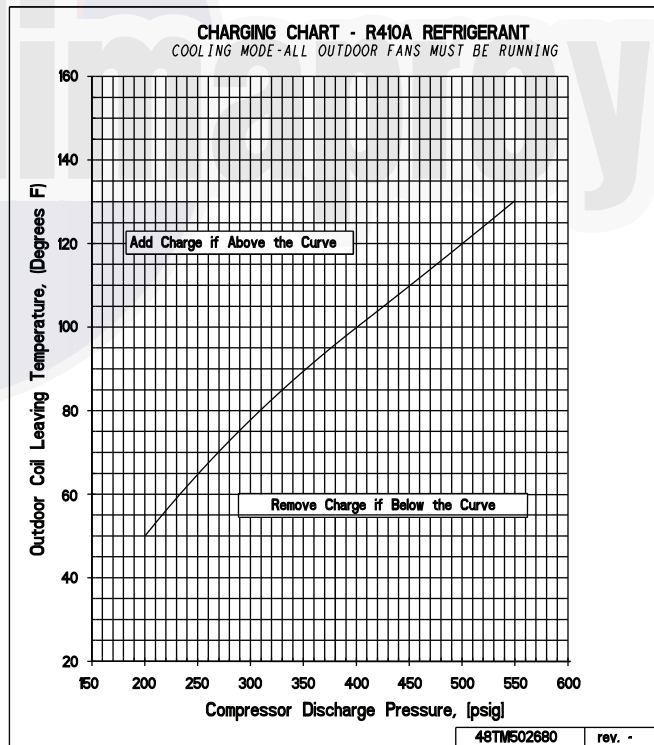
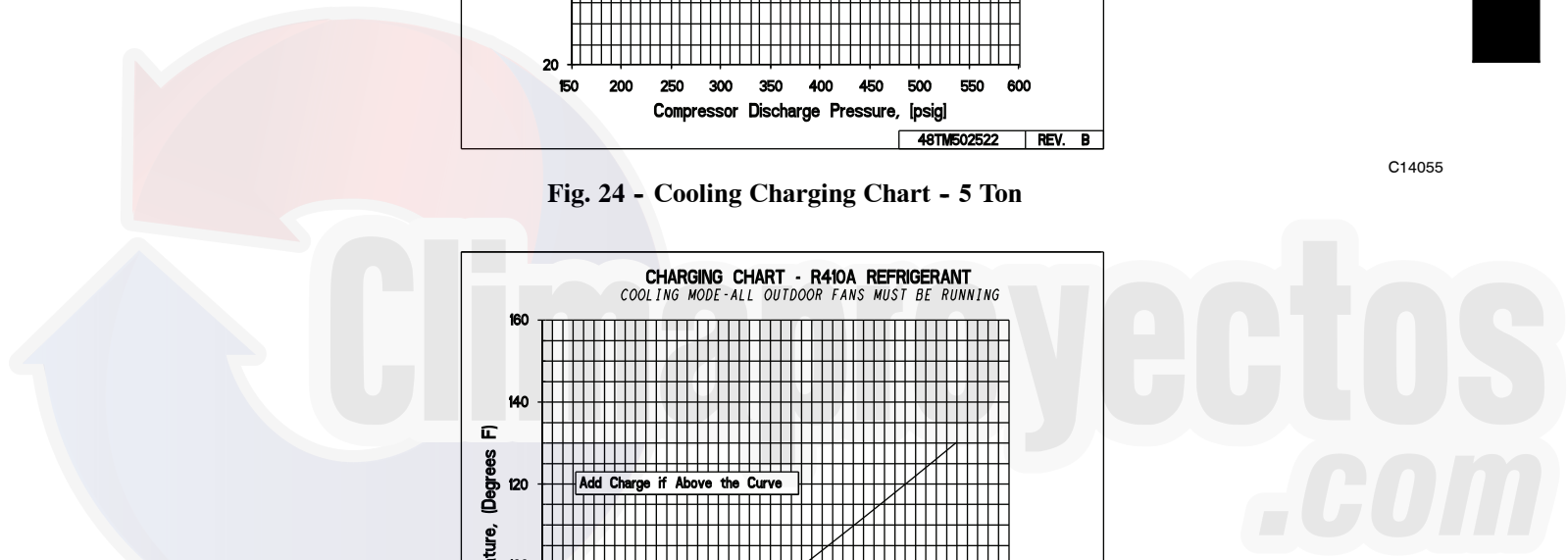


Fig. 25 - Cooling Charging Chart - 6 Ton

C14056

48HC



COOLING CHARGING CHARTS (cont.)

48HC

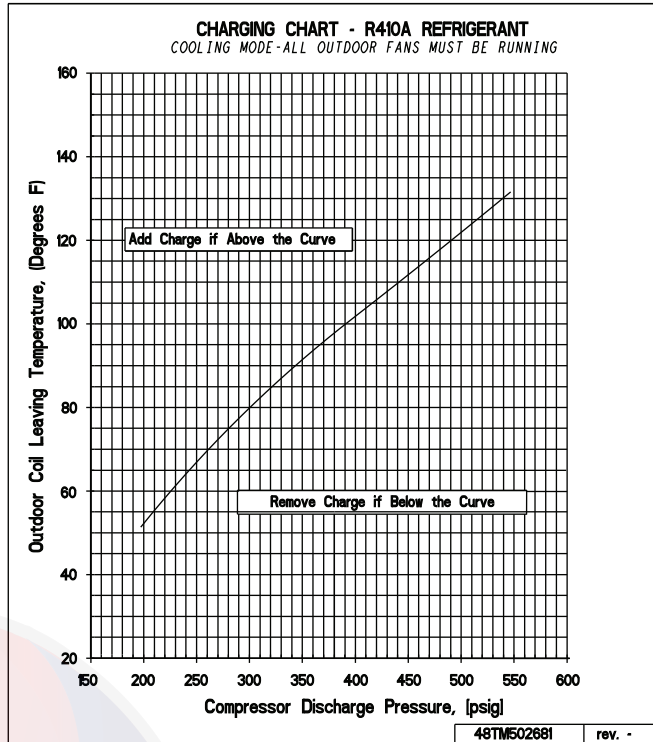


Fig. 26 - Cooling Charging Chart - 7.5 Ton

C14059

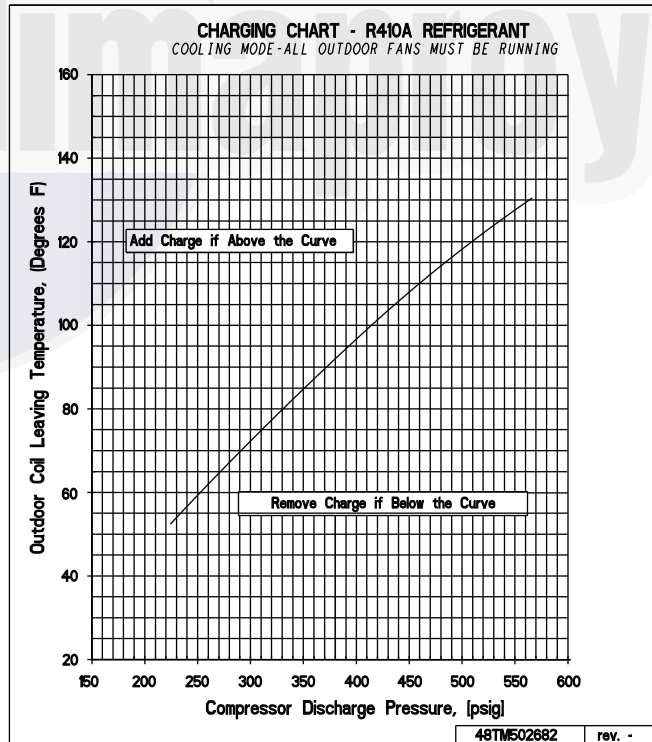
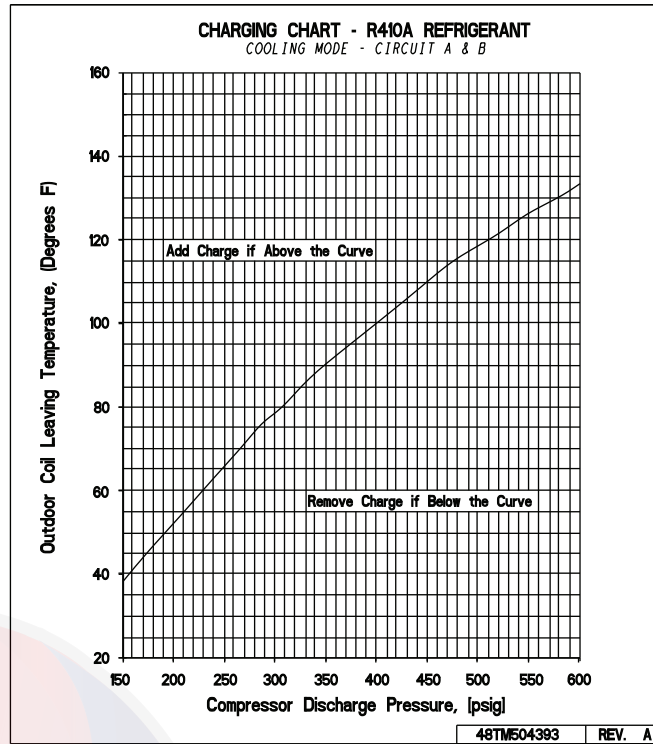


Fig. 27 - Cooling Charging Chart - 8.5 Ton

C14060

COOLING CHARGING CHARTS (cont.)



48HC

Fig. 28 - Cooling Charging Chart - 10 Ton

C14057

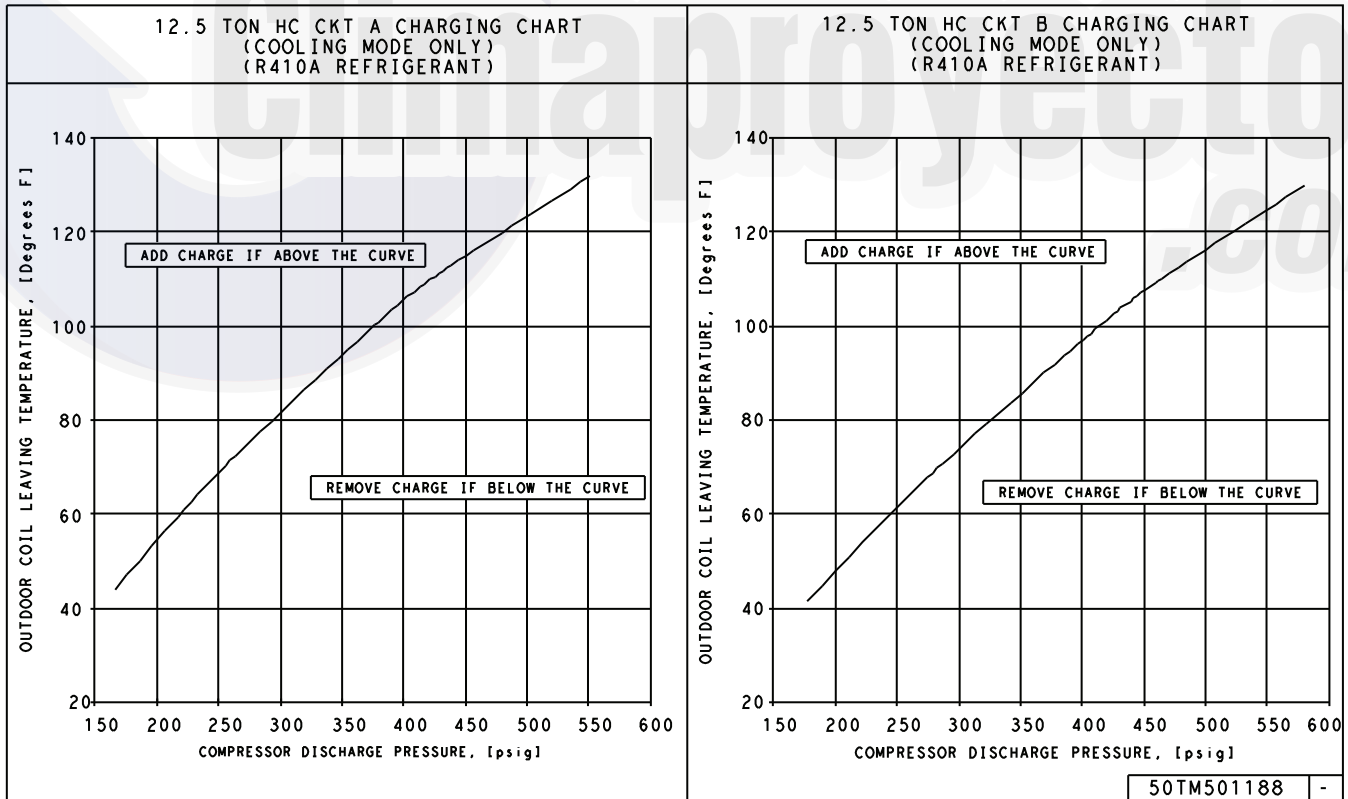


Fig. 29 - Cooling Charging Chart - 12.5 Ton - Circuit A and B

C14058

COMPRESSOR

Lubrication

The compressor is charged with the correct amount of oil at the factory.

CAUTION

UNIT DAMAGE HAZARD

Failure to follow this caution may result in damage to components.

The compressor is in a Puron® refrigerant system and uses a polyolester (POE) oil. This oil is extremely hygroscopic, meaning it absorbs water readily. POE oils can absorb 15 times as much water as other oils designed for HCFC and CFC refrigerants. Avoid exposure of the oil to the atmosphere.

48HC

⚠ WARNING

FIRE, EXPLOSION HAZARD



Failure to follow this warning could result in death, serious personal injury and/or property damage.

Never use air or gases containing oxygen for leak testing or for operating refrigerant compressors. Pressurized mixtures of air or gases containing oxygen can lead to an explosion.

⚠ WARNING

FIRE, EXPLOSION HAZARD



Failure to follow this warning could result in death, serious personal injury and/or property damage.

Never use non-certified refrigerants in this product. Non-certified refrigerants could contain contaminants that could lead to unsafe operating conditions. Use ONLY refrigerants that conform to AHRI Standard 700.

Replacing Compressor

NOTE: Only factory-trained service technicians should remove and replace compressor units.

CAUTION

INSTALLATION SITE DAMAGE

Failure to follow this caution can result in damage to equipment location site.

Puron (R-410A) refrigerant contains polyolester (POE) oil that can damage the roof membrane. Caution should be taken to prevent POE oil from spilling onto the roof surface.

The factory also recommends that the suction and discharge lines be cut with a tubing cutter instead of using a torch to remove brazed fittings.

Compressor Rotation

CAUTION

EQUIPMENT DAMAGE

Failure to follow this caution can result in equipment damage.

Scroll compressors can only compress refrigerant if rotating in the right direction. Reverse rotation for extended times can result in internal damage to the compressor. Scroll compressors are sealed units and cannot be repaired on site location.

NOTE: When the compressor is rotating in the wrong direction, the unit makes an elevated level of noise and does not provide cooling.

On 3-phase units with scroll compressors, it is important to be certain compressor is rotating in the proper direction. To determine whether or not compressor is rotating in the proper direction:

1. Connect service gauges to suction and discharge pressure fittings.
2. Energize the compressor.
3. The suction pressure should drop and the discharge pressure should rise, as is normal on any start-up.

NOTE: If the suction pressure does not drop and the discharge pressure does not rise to normal levels:

4. Note that the evaporator fan is probably also rotating in the wrong direction.
5. Turn off power to the unit.
6. Reverse any two of the three unit power leads.
7. Reapply electrical power to the compressor.
8. The suction pressure should drop and the discharge pressure should rise which is normal for scroll compressors on start-up.
9. Replace compressor if suction/discharge pressures are not within specifications for the specific compressor.

The suction and discharge pressure levels should now move to their normal start-up levels.

Filter Drier

Replace whenever refrigerant system is exposed to atmosphere. Only use factory specified liquid-line filter driers with working pressures no less than 650 psig. Do not install a suction-line filter drier in liquid line. A liquid-line filter drier designed for use with Puron refrigerant is required on every unit.

Condenser-Fan Adjustment

1. Shut off unit power supply. Install lockout tag.
2. Remove condenser-fan assembly (grille, motor, and fan).
3. Loosen fan hub setscrews.
4. Adjust fan height as shown in Fig. 30.
5. Tighten setscrews.
6. Replace condenser-fan assembly.

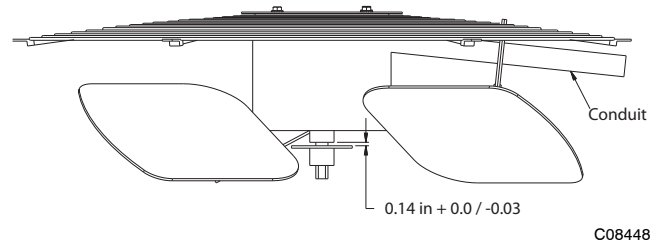


Fig. 30 - Condenser Fan Adjustment

Troubleshooting Cooling System

Refer to Table 6 for additional troubleshooting topics.

48HC



Table 6 – Heating and Cooling Troubleshooting

PROBLEM	CAUSE	REMEDY
Compressor and Outdoor Fan Will Not Start.	Power failure.	Call power company.
	Fuse blown or circuit breaker tripped.	Replace fuse or reset circuit breaker. Determine root cause.
	Defective thermostat, contactor, transformer, control relay, or capacitor.	Replace component.
	Insufficient line voltage.	Determine cause and correct.
	Incorrect or faulty wiring.	Check wiring diagram and rewire correctly.
	Thermostat setting too high.	Lower thermostat setting below room temperature.
	High pressure switch tripped.	See problem "Excessive head pressure."
	Low pressure switch tripped.	Check system for leaks. Repair as necessary.
	Freeze-up protection thermostat tripped.	See problem "Suction pressure too low."
Compressor Will Not Start But Outdoor Fan Runs.	Faulty wiring or loose connections in compressor circuit.	Check wiring and repair or replace.
	Compressor motor burned out, seized, or internal overload open.	Determine cause. Replace compressor or allow enough time for internal overload to cool and reset.
	Defective run/start capacitor, overload, start relay.	Determine cause and replace compressor.
	One leg of 3-phase power dead.	Replace fuse or reset circuit breaker. Determine cause.
Compressor Cycles (Other Than Normally Satisfying Thermostat).	Refrigerant overcharge or undercharge.	Recover refrigerant, evacuate system, and recharge to nameplate.
	Defective compressor.	Replace and determine cause.
	Insufficient line voltage.	Determine cause and correct.
	Blocked outdoor coil or dirty air filter.	Determine cause and correct.
	Defective run/start capacitor, overload, or start relay.	Determine cause and replace.
	Defective thermostat.	Replace thermostat.
	Faulty outdoor-fan (cooling) or indoor-fan (heating) motor or capacitor.	Replace.
Compressor Operates Continuously.	Restriction in refrigerant system.	Locate restriction and remove.
	Dirty air filter.	Replace filter.
	Unit undersized for load.	Decrease load or increase unit size.
	Thermostat set too low (cooling).	Reset thermostat.
	Low refrigerant charge.	Locate leak; repair and recharge.
	Air in system.	Recover refrigerant, evacuate system, and recharge.
Compressor Makes Excessive Noise.	Outdoor coil dirty or restricted.	Clean coil or remove restriction.
	Compressor rotating in the wrong direction.	Reverse the 3-phase power leads as described in Start-Up.
Excessive Head Pressure.	Dirty outside air or return air filter (heating).	Replace filter.
	Dirty outdoor coil (cooling).	Clean coil.
	Refrigerant overcharged.	Recover excess refrigerant.
	Air in system.	Recover refrigerant, evacuate system, and recharge.
	Condensing air restricted or air short-cycling.	Determine cause and correct.
Head Pressure Too Low.	Low refrigerant charge.	Check for leaks; repair and recharge.
	Compressor scroll plates defective.	Replace compressor.
	Restriction in liquid tube.	Remove restriction.
Excessive Suction Pressure.	High heat load.	Check for source and eliminate.
	Compressor scroll plates defective.	Replace compressor.
	Refrigerant overcharged.	Recover excess refrigerant.
Suction Pressure Too Low.	Dirty air filter (cooling).	Replace filter.
	Dirty or heavily iced outdoor coil (heating).	Clean outdoor coil. Check defrost cycle operation.
	Low refrigerant charge.	Check for leaks; repair and recharge.
	Metering device or low side restricted.	Remove source of restriction.
	Insufficient indoor airflow (cooling mode).	Increase air quantity. Check filter and replace if necessary.
	Temperature too low in conditioned area.	Reset thermostat.
	Field-installed filter drier restricted.	Replace.
	Outdoor ambient below 25°F (cooling).	Install low-ambient kit.
Outdoor fan motor(s) not operating (heating).	Check fan motor operation.	

48HC

CONVENIENCE OUTLETS

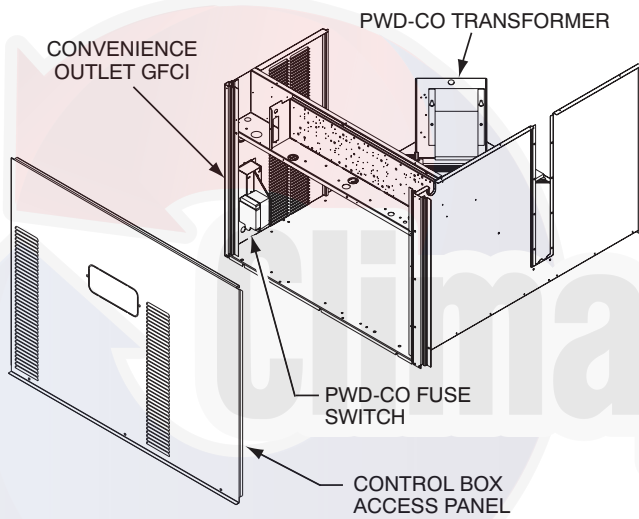
⚠ WARNING

ELECTRICAL OPERATION HAZARD

Failure to follow this warning could result in personal injury or death.

Units with convenience outlet circuits may use multiple disconnects. Check convenience outlet for power status before opening unit for service. Locate its disconnect switch, if appropriate, and open it. Tag-out this switch, if necessary.

Convenience Outlets: Two types of convenience outlets are offered on 48HC models: Non-powered and unit-powered. Both types provide a 125VAC Ground-Fault Circuit-Interrupt (GFCI) duplex receptacle rated at 15A behind a hinged waterproof access cover, located on the end panel of the unit. See Fig. 31.



C08128

Fig. 31 - Convenience Outlet Location

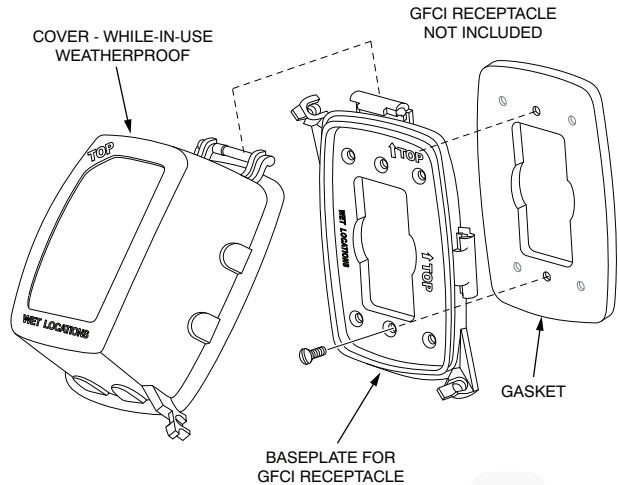
Installing Weatherproof Cover: A weatherproof while-in-use cover for the factory installed convenience outlets is now required by UL standards. This cover cannot be factory-mounted due its depth. The cover must be installed at unit installation. For shipment, the convenience outlet is covered with a blank cover plate.

The weatherproof cover kit is shipped in the unit's control box. The kit includes the hinged cover, a backing plate and gasket.

NOTE: DISCONNECT ALL POWER TO UNIT AND CONVENIENCE OUTLET. Use approved lockout/tagout procedures.

1. Remove the blank cover plate at the convenience outlet; discard the blank cover.

2. Loosen the two screws at the GFCI duplex outlet, until approximately $\frac{1}{2}$ -in (13 mm) under screw heads are exposed.
3. Press the gasket over the screw heads. Slip the backing plate over the screw heads at the keyhole slots and align with the gasket; tighten the two screws until snug (do not over-tighten).
4. Mount the weatherproof cover to the backing plate as shown in Fig. 32.
5. Remove two slot fillers in the bottom of the cover to permit service tool cords to exit the cover.
6. Check cover installation for full closing and latching.



C09022

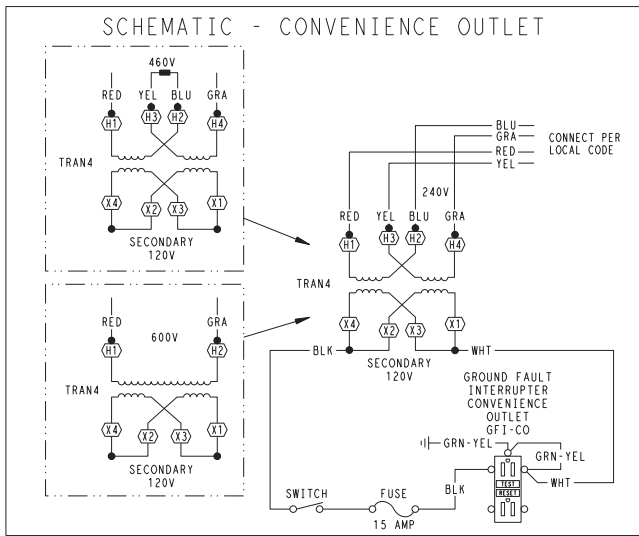
Fig. 32 - Weatherproof Cover Installation

Non-powered type: This type requires the field installation of a general-purpose 125-volt 15-A circuit powered from a source elsewhere in the building. Observe national and local codes when selecting wire size, fuse or breaker requirements and disconnect switch size and location. Route 125-v power supply conductors into the bottom of the utility box containing the duplex receptacle.

Unit-powered type: A unit-mounted transformer is factory-installed to step-down the main power supply voltage to the unit to 115-v at the duplex receptacle. This option also includes a manual switch with fuse, located in a utility box and mounted on a bracket behind the convenience outlet; access is through the unit's control box access panel. See Fig. 31.

The primary leads to the convenience outlet transformer are not factory-connected. Selection of primary power source is a customer-option. If local codes permit, the transformer primary leads can be connected at the line-side terminals on a unit-mounted non-fused disconnect or Heating, Air Conditioning and Refrigeration (HACR) breaker switch; this will provide service power to the unit when the unit disconnect switch or HACR switch is open. Other connection methods will result in the convenience outlet circuit being de-energized when the unit disconnect or HACR switch is open. See Fig. 33.

48HC



CO8283

Fig. 33 - Powered Convenience Outlet Wiring

UNIT VOLTAGE	CONNECT AS	PRIMARY CONNECTIONS	TRANSFORMER TERMINALS
208, 230	240	L1: RED + YEL L2: BLU + GRA	H1 + H3 H2 + H4
460	480	L1: RED Splice BLU + YEL L2: GRA	H1 H2 + H3 H4
575	600	L1: RED L2: GRA	H1 H2

Duty Cycle: The unit-powered convenience outlet has a duty cycle limitation. The transformer is intended to provide power on an intermittent basis for service tools, lamps, etc; it is not intended to provide 15A loading for continuous duty loads (such as electric heaters for overnight use). Observe a 50% limit on circuit loading above 8A (i.e., limit loads exceeding 8A to 30 minutes of operation every hour).

Maintenance: Periodically test the GFCI receptacle by pressing the TEST button on the face of the receptacle. This should cause the internal circuit of the receptacle to trip and open the receptacle. Check for proper grounding wires and power line phasing if the GFCI receptacle does not trip as required. Press the RESET button to clear the tripped condition.

Fuse on powered type: The factory fuse is a Bussmann® Fusetron® T-15, non-renewable screw-in (Edison base) type plug fuse.

Using unit-mounted convenience outlets: Units with unit-mounted convenience outlet circuits will often require that two disconnects be opened to de-energize all power to the unit. Treat all units as electrically energized until the convenience outlet power is also checked and de-energization is confirmed. Observe National Electrical Code Article 210, Branch Circuits, for use of convenience outlets.

SMOKE DETECTORS

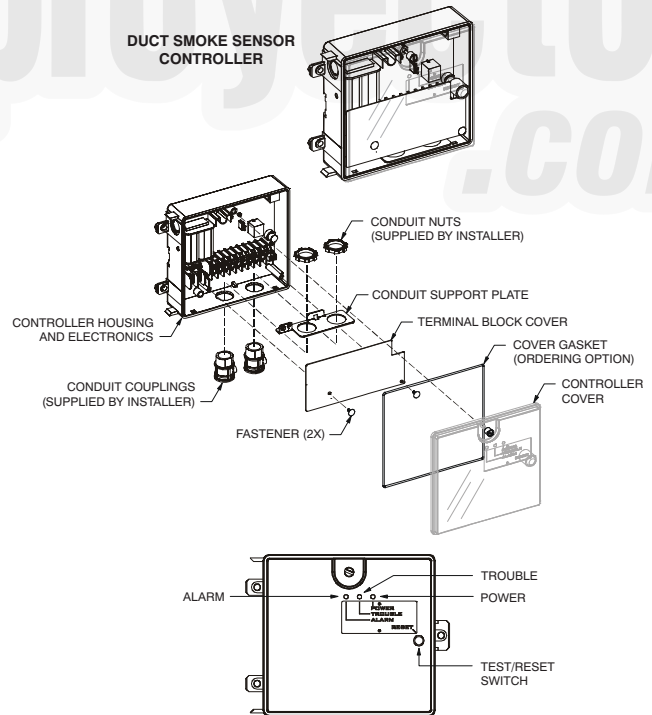
Smoke detectors are available as factory-installed options on 48HC models. Smoke detectors may be specified for Supply Air only or for Return Air without or with economizer or in combination of Supply Air and Return Air. Return Air smoke detectors are arranged for vertical return configurations only. All components necessary for operation are factory-provided and mounted. The unit is factory-configured for immediate smoke detector shutdown operation; additional wiring or modifications to unit terminal board may be necessary to complete the unit and smoke detector configuration to meet project requirements.

System

The smoke detector system consists of a four-wire controller and one or two sensors. Its primary function is to shut down the rooftop unit in order to prevent smoke from circulating throughout the building. It is not to be used as a life saving device.

Controller

The controller (see Fig. 34) includes a controller housing, a printed circuit board, and a clear plastic cover. The controller can be connected to one or two compatible duct smoke sensors. The clear plastic cover is secured to the housing with a single captive screw for easy access to the wiring terminals. The controller has three LEDs (for Power, Trouble and Alarm) and a manual test/reset button (on the cover face).



CO8208

Fig. 34 - Controller Assembly

Smoke Detector Sensor

The Smoke Detector Sensor (see Fig. 35) includes a plastic housing, a printed circuit board, a clear plastic cover, a sampling tube inlet and an exhaust tube. The sampling tube (when used) and exhaust tube are attached during installation. The sampling tube varies in length depending on the size of the rooftop unit. The clear plastic cover permits visual inspections without having to disassemble the sensor. The cover attaches to the sensor housing using four captive screws and forms an airtight chamber around the sensing electronics. Each sensor includes a harness with an RJ45 terminal for connecting to the controller. Each sensor has four LEDs (for Power, Trouble, Alarm and Dirty) and a manual test/reset button (on the left-side of the housing).

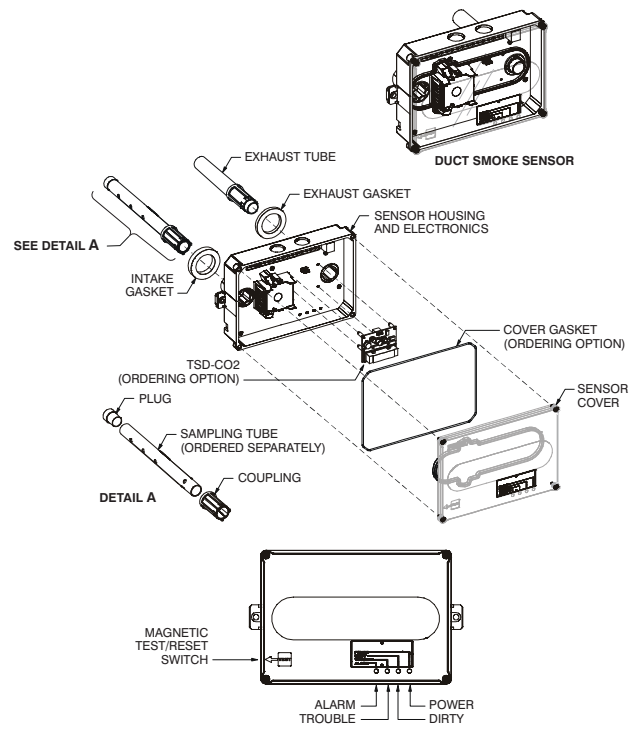
Air is introduced to the duct smoke detector sensor's sensing chamber through a sampling tube that extends into the HVAC duct and is directed back into the ventilation system through a (shorter) exhaust tube.

The difference in air pressure between the two tubes pulls the sampled air through the sensing chamber. When a sufficient amount of smoke is detected in the sensing chamber, the sensor signals an alarm state and the controller automatically takes the appropriate action to shut down fans and blowers, change over air handling systems, notify the fire alarm control panel, etc.

The sensor uses a process called differential sensing to prevent gradual environmental changes from triggering false alarms. A rapid change in environmental conditions, such as smoke from a fire, causes the sensor to signal an alarm state but dust and debris accumulated over time does not.

The difference in air pressure between the two tubes pulls the sampled air through the sensing chamber. When a sufficient amount of smoke is detected in the sensing chamber, the sensor signals an alarm state and the controller automatically takes the appropriate action to shut down fans and blowers, change over air handling systems, notify the fire alarm control panel, etc.

For installations using two sensors, the duct smoke detector does not differentiate which sensor signals an alarm or trouble condition.

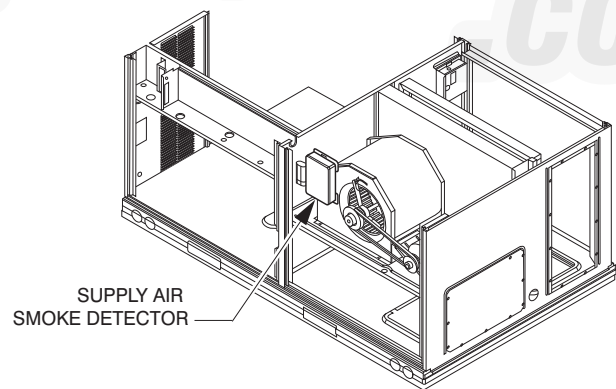


C08209

Fig. 35 - Smoke Detector Sensor

Smoke Detector Locations

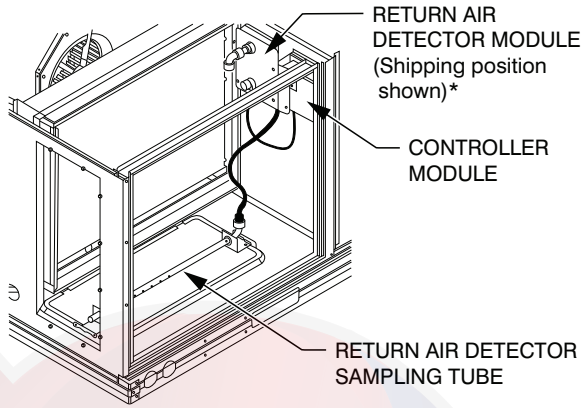
Supply Air: The Supply Air Smoke Detector Sensor is located to the left of the unit's indoor (supply) fan. See Fig. 35. Access is through the fan access panel. There is no sampling tube used at this location. The sampling tube inlet extends through the side plate of the fan housing (into a high pressure area). The controller is located on a bracket to the right of the return filter, accessed through the lift-off filter panel.



C08245

Fig. 36 - Typical Supply Air Smoke Detector Sensor Location

Return Air Smoke Detector Sensor without Economizer: The sampling tube is located across the return air opening on the unit basepan. See Fig. 37. The holes in the sampling tube face downward, into the return air stream. The sampling tube is connected through tubing to the return air sensor that is mounted on a bracket high on the partition between return filter and controller location. (This sensor is shipped in a flat-mounting location. Installation requires that this sensor be relocated to its operating location and the tubing to the sampling tube be connected. See installation steps below.)

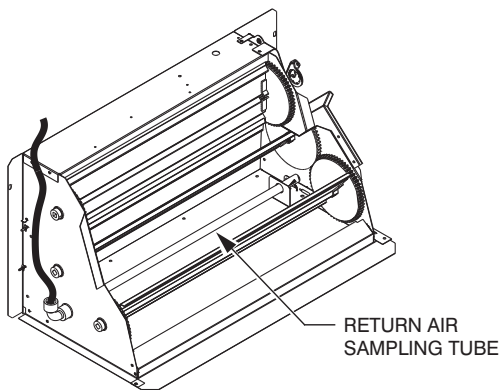


*RA detector must be moved from shipping position to operating position by installer

C07307

Fig. 37 - Typical Return Air Smoke Detector Location

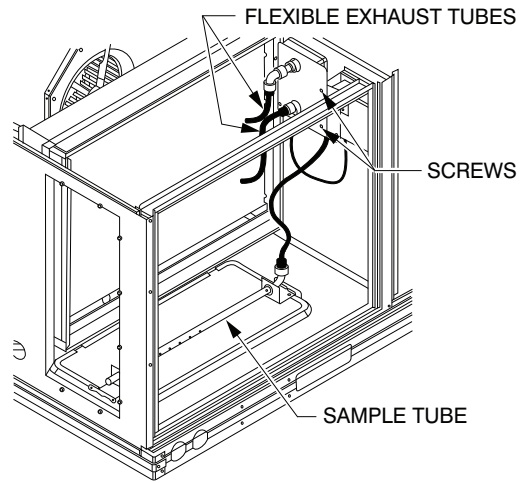
Return Air Smoke Detector Sensor with Economizer: The sampling tube is inserted through the side plates of the economizer housing, placing it across the return air opening on the unit basepan. See Fig. 38. The holes in the sampling tube face downward, into the return air stream. The sampling tube is connected using tubing to the return air sensor mounted on a bracket high on the partition between return filter and controller location. The sensor is shipped in a flat-mounting location. Installation requires the sensor be relocated to its operating location and the tubing to the sampling tube be connected. See installation steps below.



C08129

Fig. 38 - Return Air Sampling Tube Location

Completing Installation of Return Air Smoke Detector:

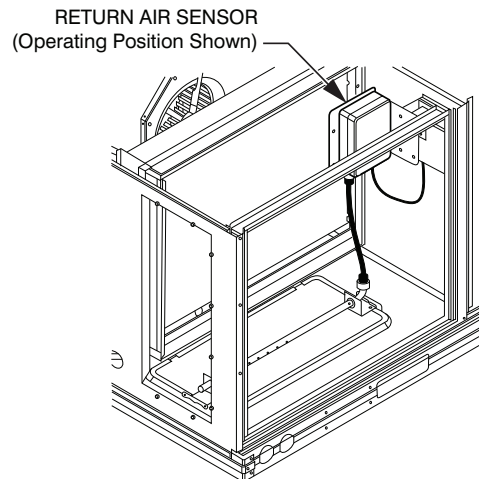


C12049

Fig. 39 - Return Air Smoke Detector Shipping Position

Use the following steps to complete the installation of the Return Air Smoke Detector.

1. Unscrew the two screws holding the Return Air Sensor Detector plate. See Fig. 39. Save the screws.
2. Remove the Return Air Smoke Sensor and its detector plate.
3. Rotate the detector plate so the sensor is facing outwards and the sampling tube connection is on the bottom. See Fig. 40.
4. Screw the sensor and detector plate into its operating position using screws from Step 1. Ensure the sampling tube connection is on the bottom and the exhaust tube is on the top. See Fig. 40.
5. Connect the flexible tube on the sampling inlet to the sampling tube on the basepan.
6. For units with an economizer, the sampling tube is integrated into the economizer housing but connecting the flexible tubing to the sampling tube is the same.



C12050

Fig. 40 - Return Air Sensor Operating Position

FIOP Smoke Detector Wiring and Response

All units: FIOP smoke detector is configured to automatically shut down all unit operations when a smoke condition is detected. See Fig. 41, Smoke Detector Wiring.

Highlight A: JMP 3 is factory-cut, transferring unit control to smoke detector.

Highlight B: Smoke detector NC contact set will open on smoke alarm condition, de-energizing the ORN conductor.

Highlight C: 24V power signal using the ORN lead is removed at the Smoke Detector input on LCTB; all unit operations cease immediately.

PremierLink™ and RTU-OPEN Controls: Unit operating functions (fan, cooling and heating) are terminated as described above. In addition:

Highlight D: On smoke alarm condition, the smoke detector NO Alarm contact will close, supplying 24-v power to GRA conductor.

Highlight E: GRA lead at Smoke Alarm input on LCTB provides 24-v signal to FIOP DDC control.

Premier-Link: This signal is conveyed to PremierLink FIOP's TB1 at terminal TB1-6 (BLU lead). This signal initiates the FSD sequence by the PremierLink control. FSD status is reported to connected CCN network.

RTU-OPEN: The 24-v signal is conveyed to RTU-OPEN - J1-10 input terminal. This signal initiates the FSD sequence by the RTU-OPEN control. FSD status is reported to connected BAS network.

Using Remote Logic: Five conductors are provided for field use (see Highlight F) for additional annunciation functions.

Additional Application Data: Refer to Catalog No. HKRKA-1XA for discussions on additional control features of these smoke detectors including multiple unit coordination. See Fig. 41.

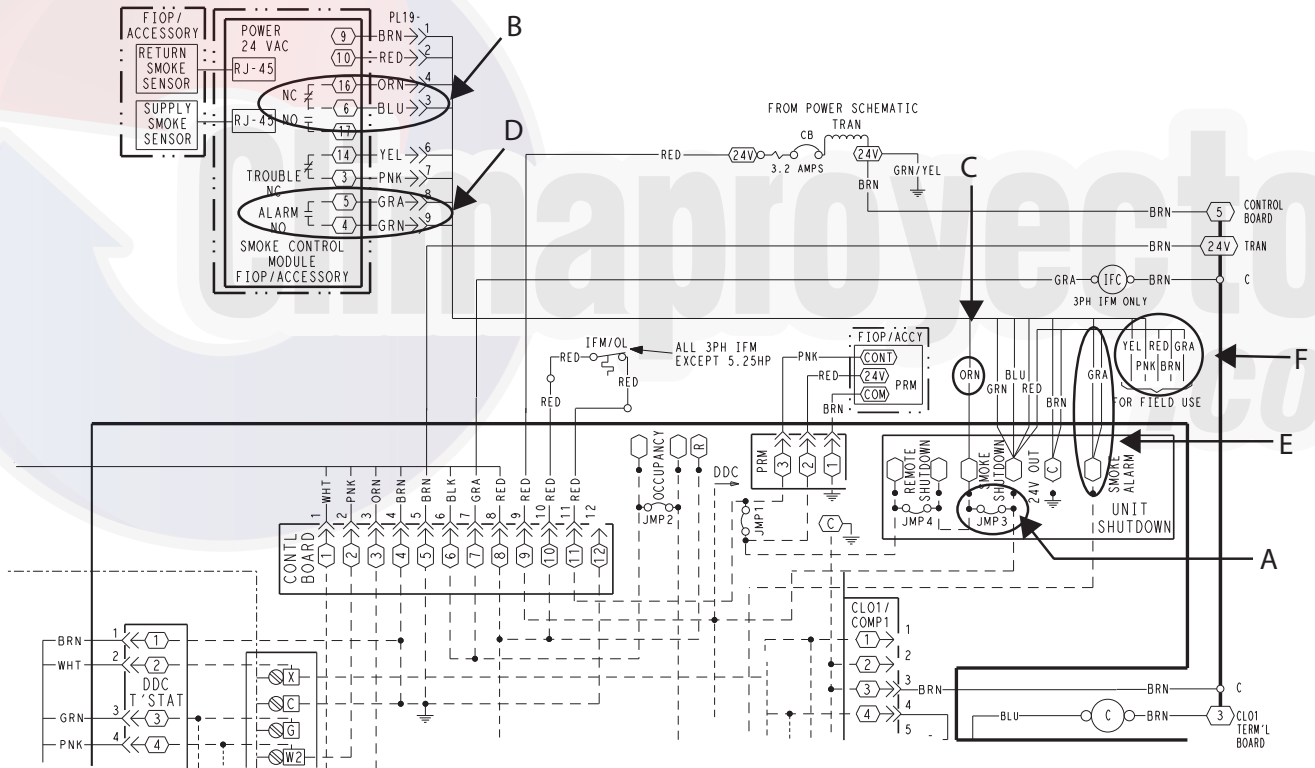


Fig. 41 - Typical Smoke Detector System Wiring

C08246

SENSOR AND CONTROLLER TESTS

Sensor Alarm Test

The sensor alarm test checks a sensor's ability to signal an alarm state. This test requires that you use a field provided SD-MAG test magnet.

NOTICE

OPERATIONAL TEST ALERT

Failure to follow this ALERT can result in an unnecessary evacuation of the facility.

This test places the duct detector into the alarm state. Unless part of the test, disconnect all auxiliary equipment from the controller before performing the test. If the duct detector is connected to a fire alarm system, notify the proper authorities before performing the test.

Sensor Alarm Test Procedure

1. Hold the test magnet where indicated on the side of the sensor housing for seven seconds.
2. Verify that the sensor's Alarm LED turns on.
3. Reset the sensor by holding the test magnet against the sensor housing for two seconds.
4. Verify that the sensor's Alarm LED turns off.

Controller Alarm Test

The controller alarm test checks the controller's ability to initiate and indicate an alarm state.

NOTICE

OPERATIONAL TEST ALERT

Failure to follow this ALERT can result in an unnecessary evacuation of the facility.

This test places the duct detector into the alarm state. Unless part of the test, disconnect all auxiliary equipment from the controller before performing the test. If the duct detector is connected to a fire alarm system, notify the proper authorities before performing the test.

Controller Alarm Test Procedure

1. Press the controller's test/reset switch for seven seconds.
2. Verify that the controller's Alarm LED turns on.
3. Reset the sensor by pressing the test/reset switch for two seconds.

4. Verify that the controller's Alarm LED turns off.

Dirty Controller Test

The dirty controller test checks the controller's ability to initiate a dirty sensor test and indicate its results.

NOTICE

OPERATIONAL TEST ALERT

Failure to follow this ALERT can result in an unnecessary evacuation of the facility.

Pressing the controller's test/reset switch for longer than seven seconds will put the duct detector into the alarm state and activate all automatic alarm responses.

Dirty Controller Test Procedure

1. Press the controller's test/reset switch for two seconds.
2. Verify that the controller's Trouble LED flashes.

Dirty Sensor Test

The dirty sensor test provides an indication of the sensor's ability to compensate for gradual environmental changes. A sensor that can no longer compensate for environmental changes is considered 100% dirty and requires cleaning or replacing. You must use a field provided SD-MAG test magnet to initiate a sensor dirty test. The sensor's Dirty LED indicates the results of the dirty test as shown in Table 7.

NOTICE

OPERATIONAL TEST ALERT

Failure to follow this ALERT can result in an unnecessary evacuation of the facility.

Holding the test magnet against the sensor housing for more than seven seconds will put the duct detector into the alarm state and activate all automatic alarm responses.

Table 7 – Dirty LED Test

FLASHES	DESCRIPTION
1	0–25% dirty. (Typical of a newly installed detector)
2	25–50% dirty
3	51–75% dirty
4	76–99% dirty

Dirty Sensor Test Procedure

1. Hold the test magnet where indicated on the side of the sensor housing for two seconds.
2. Verify that the sensor's Dirty LED flashes.

NOTICE

OPERATIONAL TEST ALERT

Failure to follow this ALERT can result in an unnecessary evacuation of the facility.

Changing the dirty sensor test operation will put the detector into the alarm state and activate all automatic alarm responses. Before changing dirty sensor test operation, disconnect all auxiliary equipment from the controller and notify the proper authorities if connected to a fire alarm system.

Changing the Dirt Sensor Test

By default, sensor dirty test results are indicated by:

- The sensor's Dirty LED flashing.
- The controller's Trouble LED flashing.
- The controller's supervision relay contacts toggle.

The operation of a sensor's dirty test can be changed so that the controller's supervision relay is not used to indicate test results. When two detectors are connected to a controller, sensor dirty test operation on both sensors must be configured to operate in the same manner.

To Configure the Dirty Sensor Test Operation

1. Hold the test magnet where indicated on the side of the sensor housing until the sensor's Alarm LED turns on and its Dirty LED flashes twice (approximately 60 seconds).
2. Reset the sensor by removing the test magnet then holding it against the sensor housing again until the sensor's Alarm LED turns off (approximately 2 seconds).

Remote Station Test

The remote station alarm test checks a test/reset station's ability to initiate and indicate an alarm state.

NOTICE

OPERATIONAL TEST ALERT

Failure to follow this ALERT can result in an unnecessary evacuation of the facility.

This test places the duct detector into the alarm state. Unless part of the test, disconnect all auxiliary equipment from the controller before performing the test. If the duct detector is connected to a fire alarm system, notify the proper authorities before performing the test.

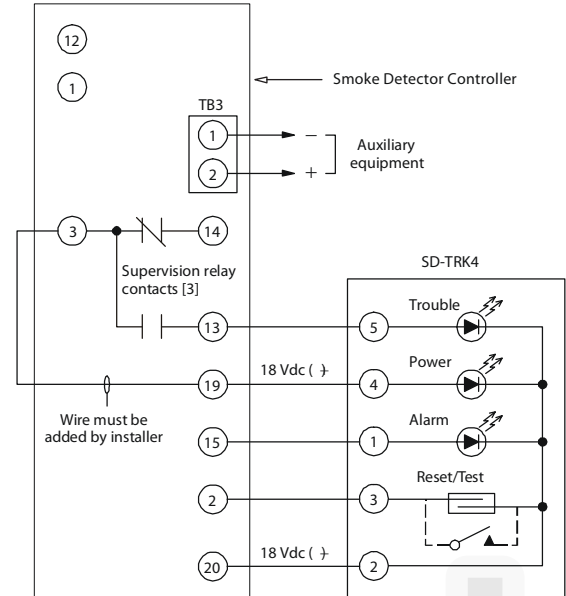
SD-TRK4 Remote Alarm Test Procedure

1. Turn the key switch to the RESET/TEST position for seven seconds.
2. Verify that the test/reset station's Alarm LED turns on.
3. Reset the sensor by turning the key switch to the RESET/TEST position for two seconds.

4. Verify that the test/reset station's Alarm LED turns off.

Remote Test/Reset Station Dirty Sensor Test

The test/reset station dirty sensor test checks the test/reset station's ability to initiate a sensor dirty test and indicate the results. It must be wired to the controller as shown in Fig. 42 and configured to operate the controller's supervision relay. For more information, see "Changing sensor dirty test operation."



C08247

Fig. 42 - Remote Test/Reset Station Connections

NOTICE

OPERATIONAL TEST ALERT

Failure to follow this ALERT can result in an unnecessary evacuation of the facility.

If the test/reset station's key switch is left in the RESET/TEST position for longer than seven seconds, the detector will automatically go into the alarm state and activate all automatic alarm responses.

NOTICE

OPERATIONAL TEST ALERT

Failure to follow this ALERT can result in an unnecessary evacuation of the facility.

Holding the test magnet to the target area for longer than seven seconds will put the detector into the alarm state and activate all automatic alarm responses.

Dirty Sensor Test Using an SD-TRK4

1. Turn the key switch to the RESET/TEST position for two seconds.

2. Verify that the test/reset station's Trouble LED flashes.

Detector Cleaning

Cleaning the Smoke Detector

Clean the duct smoke sensor when the Dirty LED is flashing continuously or sooner if conditions warrant.

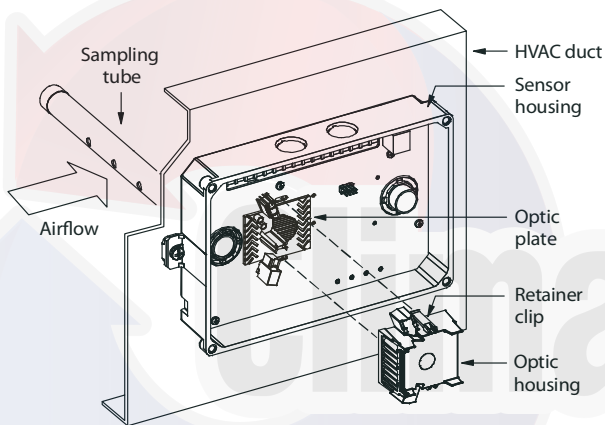
NOTICE

OPERATIONAL TEST ALERT

Failure to follow this ALERT can result in an unnecessary evacuation of the facility.

If the smoke detector is connected to a fire alarm system, first notify the proper authorities that the detector is undergoing maintenance then disable the relevant circuit to avoid generating a false alarm.

1. Disconnect power from the duct detector then remove the sensor's cover. See Fig. 43.



C07305

Fig. 43 - Sensor Cleaning Diagram

2. Using a vacuum cleaner, clean compressed air, or a soft bristle brush, remove loose dirt and debris from inside the sensor housing and cover. Use isopropyl alcohol and a lint-free cloth to remove dirt and other contaminants from the gasket on the sensor's cover.
3. Squeeze the retainer clips on both sides of the optic housing.
4. Lift the housing away from the printed circuit board.
5. Gently remove dirt and debris from around the optic plate and inside the optic housing.
6. Replace the optic housing and sensor cover.
7. Connect power to the duct detector then perform a sensor alarm test.

Indicators

Normal State

The smoke detector operates in the normal state in the absence of any trouble conditions and when its sensing chamber is free of smoke. In the normal state, the Power LED on both the sensor and the controller are on and all other LEDs are off.

Alarm State

The smoke detector enters the alarm state when the amount of smoke particulate in the sensor's sensing chamber exceeds the alarm threshold value. (See Table 8.)

Upon entering the alarm state:

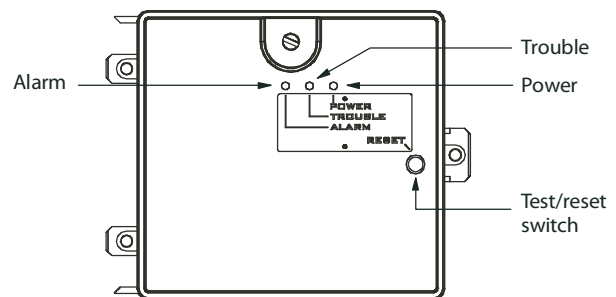
- The sensor's Alarm LED and the controller's Alarm LED turn on.
- The contacts on the controller's two auxiliary relays switch positions.
- The contacts on the controller's alarm initiation relay close.
- The controller's remote alarm LED output is activated (turned on).
- The controller's high impedance multiple fan shutdown control line is pulled to ground Trouble state.

The SuperDuct duct smoke detector enters the trouble state under the following conditions:

- A sensor's cover is removed and 20 minutes pass before it is properly secured.
- A sensor's environmental compensation limit is reached (100% dirty).
- A wiring fault between a sensor and the controller is detected.

An internal sensor fault is detected upon entering the trouble state:

- The contacts on the controller's supervisory relay switch positions. (See Fig. 44.)
- If a sensor trouble, the sensor's Trouble LED the controller's Trouble LED turn on.
- If 100% dirty, the sensor's Dirty LED turns on and the controller's Trouble LED flashes continuously.
- If a wiring fault between a sensor and the controller, the controller's Trouble LED turns on but not the sensor's.



C07298

Fig. 44 - Controller Assembly

NOTE: All troubles are latched by the duct smoke detector. The trouble condition must be cleared and then the duct smoke detector must be reset in order to restore it to the normal state.

Resetting Alarm and Trouble Condition Trips:

Manual reset is required to restore smoke detector systems to Normal operation. For installations using two sensors,

the duct smoke detector does not differentiate which sensor signals an alarm or trouble condition. Check each sensor for Alarm or Trouble status (indicated by LED). Clear the condition that has generated the trip at this sensor. Then reset the sensor by pressing and holding the reset button (on the side) for 2 seconds. Verify that the sensor's Alarm and Trouble LEDs are now off. At the controller, clear its Alarm or Trouble state by pressing and holding the manual reset button (on the front cover) for 2 seconds. Verify that the controller's Alarm and Trouble LEDs are now off. Replace all panels.

Troubleshooting

Controller's Trouble LED is On

1. Check the Trouble LED on each sensor connected to the controller. If a sensor's Trouble LED is on, determine the cause and make the necessary repairs.
2. Check the wiring between the sensor and the controller. If wiring is loose or missing, repair or replace as required.

Controller's Trouble LED is Flashing

1. One or both of the sensors is 100% dirty.
2. Determine which Dirty LED is flashing then clean that sensor assembly as described in the detector cleaning section.

Sensor's Trouble LED is On

1. Check the sensor's Dirty LED. If it is flashing, the sensor is dirty and must be cleaned.
2. Check the sensor's cover. If it is loose or missing, secure the cover to the sensor housing.
3. Replace sensor assembly.

Sensor's Power LED is Off

1. Check the controller's Power LED. If it is off, determine why the controller does not have power and make the necessary repairs.
2. Check the wiring between the sensor and the controller. If wiring is loose or missing, repair or replace as required.

Controller's Power LED is Off

1. Make sure the circuit supplying power to the controller is operational. If not, make sure JP2 and JP3 are set correctly on the controller before applying power.
2. Verify that power is applied to the controller's supply input terminals. If power is not present, replace or repair wiring as required.

Remote Test/Reset Station's Trouble LED Does Not flash When Performing a Dirty Test, But the Controller's Trouble LED Does

1. Verify that the remote test/station is wired as shown in Fig. 42. Repair or replace loose or missing wiring.

2. Configure the sensor dirty test to activate the controller's supervision relay. See "Changing sensor dirty test operation."

Sensor's Trouble LED is On, But the Controller's Trouble LED is OFF

Remove JP1 on the controller.

PROTECTIVE DEVICES

Compressor Protection

Overcurrent

The compressor has internal line-break motor protection.

Over-temperature

The compressor has an internal protector to protect it against excessively high discharge gas temperatures.

High Pressure Switch

The system is provided with a high pressure switch mounted on the discharge line. The switch is stem-mounted and brazed into the discharge tube. Trip setting is 630 psig \pm 10 psig (4344 \pm 69 kPa) when hot. Reset is automatic at 505 psig (3482 kPa).

Low Pressure Switch

The system is protected against a loss of charge and low evaporator coil loading condition by a low pressure switch located on the suction line near the compressor. The switch is stem-mounted. Trip setting is 54 psig \pm 5 psig (372 \pm 34 kPa). Reset is automatic at 117 \pm 5 psig (807 \pm 34 kPa).

Evaporator Freeze Protection

The system is protected against evaporator coil frosting and low temperature conditions by a temperature switch mounted on the evaporator coil hairpin. Trip setting is 30°F \pm 5°F (-1°C \pm 3°C). Reset is automatic at 45°F (7°C).

Supply (Indoor) Fan Motor Protection

Disconnect and lockout power when servicing fan motor.

The standard supply fan motor is equipped with internal overcurrent and over-temperature protection. Protection devices reset automatically.

The High Static option supply fan motor is equipped with a pilot-circuit Thermix combination over-temperature/overcurrent protection device. This device resets automatically. Do not bypass this switch to correct trouble. Determine the cause and correct it.

Table 8 – Detector Indicators

CONTROL OR INDICATOR	DESCRIPTION
Magnetic test/reset switch	Resets the sensor when it is in the alarm or trouble state. Activates or tests the sensor when it is in the normal state.
Alarm LED	Indicates the sensor is in the alarm state.
Trouble LED	Indicates the sensor is in the trouble state.
Dirty LED	Indicates the amount of environmental compensation used by the sensor (flashing continuously = 100%)
Power LED	Indicates the sensor is energized.

Condenser Fan Motor Protection

The condenser fan motor is internally protected against over-temperature.

Relief Device

A soft solder joint at the suction service access port provides pressure relief under abnormal temperature and pressure conditions (i.e., fire in building). Protect this joint during brazing operations near this joint.

Control Circuit, 24-V

The control circuit is protected against overcurrent conditions by a circuit breaker mounted on control transformer TRAN. Reset is manual.

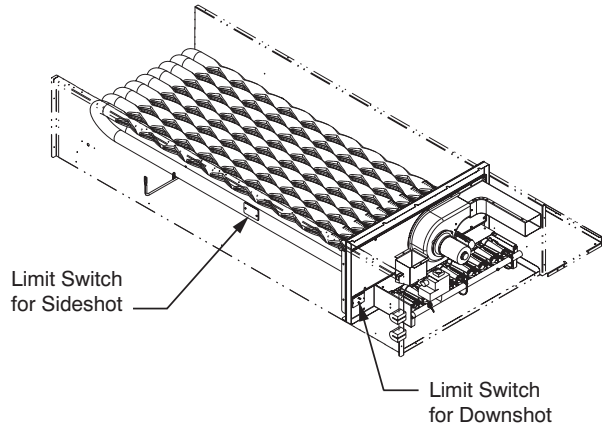


Fig. 46 - Limit Switch Location

C10336

48HC

GAS HEATING SYSTEM

General

The heat exchanger system consists of a gas valve feeding multiple in-shot burners off a manifold. The burners fire into matching primary tubes. The primary tubes discharge into combustion plenum where gas flow converges into secondary tubes. The secondary tubes exit into the induced draft fan wheel inlet. The induced fan wheel discharges into a flue passage and flue gases exit out a flue hood on the side of the unit. The induced draft fan motor includes a Hall Effect sensor circuit that confirms adequate wheel speed through the Integrated Gas Control (IGC) board. Safety switches include a Rollout Switch (at the top of the burner compartment) and a limit switch (mounted through the fan deck, over the tubes). (See Fig. 45 and Fig. 46.)

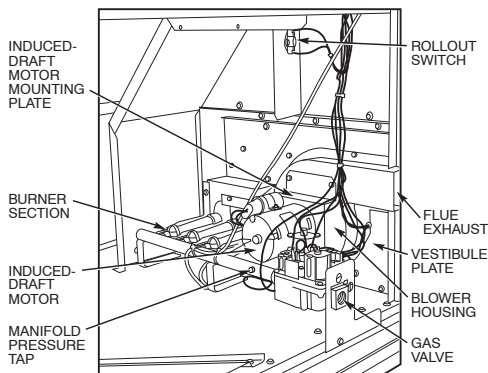


Fig. 45 - Burner Section Details

C06152

Fuel Types and Pressures

Natural Gas

The 48HC unit is factory-equipped for use with Natural Gas fuel at elevation under 2000 ft (610 m). See section Orifice Replacement for information in modifying this unit for installation at elevations above 2000 ft (610 m).

Gas line pressure entering the unit's main gas valve must be within specified ranges. Adjust unit gas regulator valve as required or consult local gas utility.

Table 9 – Natural Gas Supply Line Pressure Ranges

UNIT MODEL	UNIT SIZE	MIN	MAX
48HC	All	4.0 in. wg (996 Pa)	13.0 in. wg (3240 Pa)

Manifold pressure is factory-adjusted for NG fuel use. Adjust as required to obtain best flame characteristic.

Table 10 – Natural Gas Manifold Pressure Ranges

UNIT MODEL	UNIT SIZE	HIGH FIRE	LOW FIRE	RANGE
48HC	All	3.5 in. wg (872 Pa)	1.7 in. wg (423 Pa)†	2.0–5.0 in. wg (Hi) (498–1245 Pa)
48HC Low NOx	All	3.5 in. wg (872 Pa)	NA	2.0–5.0 in. wg (Hi) (498–1245 Pa)

NA: Not Available
† 3 Phase models only

Liquid Propane

Accessory packages are available for field-installation that will convert the 48HC unit (except low NOx model)

to operate with Liquid Propane (LP) fuels. These kits include new orifice spuds, new springs for gas valves and a supply line low pressure switch. See section on Orifice Replacement for details on orifice size selections.

Low NOx models include specially-sized orifices and use of different flue flow limits and tube baffles. Because of these extra features, conversion of these models to LP is not recommended.

Fuel line pressure entering unit gas valve must remain within specified range.

Table 11 – Liquid Propane Supply Line Pressure Ranges

UNIT MODEL	UNIT SIZE	MIN	MAX
48HC	All	11.0 in. wg (2740 Pa)	13.0 in. wg (3240 Pa)
48HC Low NOx	All	NA	NA

Manifold pressure for LP fuel use must be adjusted to specified range. Follow instructions in the accessory kit to make initial readjustment.

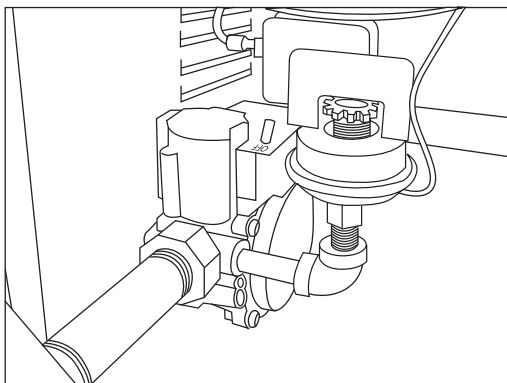
Table 12 – Liquid Propane Manifold Pressure Ranges

UNIT MODEL	UNIT SIZE	HIGH FIRE	LOW FIRE
48HC	All	10.0 in. wg (2490 Pa)	5.0 in. wg (1245 Pa)†
48HC Low NOx	All	NA	NA

NA: Not Available
† 3 Phase models only

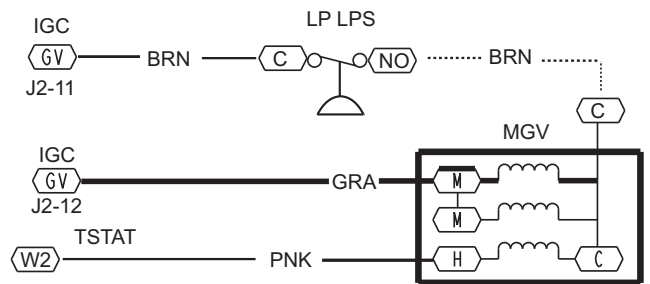
Supply Pressure Switch

The LP conversion kit includes a supply low pressure switch. The switch contacts (from terminal C to terminal NO) will open the gas valve power whenever the supply line pressure drops below the setpoint. See Fig. 47 and Fig. 48. If the low pressure remains open for 15 minutes during a call for heat, the IGC circuit will initiate a Ignition Fault (5 flashes) lockout. Reset of the low pressure switch is automatic on rise in supply line pressure. Reset of the IGC requires a recycle of unit power after the low pressure switch has closed.



C08238

Fig. 47 - LP Low Pressure Switch (Installed)



C08285

Fig. 48 - LP Supply Line Low Pressure Switch Wiring

This switch also prevents operation when the propane tank level is low which can result in gas with a high concentration of impurities, additives, and residues that have settled to the bottom of the tank. Operation under these conditions can cause harm to the heat exchanger system. Contact your fuel supplier if this condition is suspected.

Flue Gas Passageways

To inspect the flue collector box and upper areas of the heat exchanger:

1. Remove the combustion blower wheel and motor assembly according to directions in Combustion-Air Blower section. See Fig. 49.
2. Remove the flue cover to inspect the heat exchanger.
3. Clean all surfaces as required using a wire brush.

Combustion-Air Blower

Clean periodically to assure proper airflow and heating efficiency. Inspect blower wheel every fall and periodically during heating season. For the first heating season, inspect blower wheel bi-monthly to determine proper cleaning frequency.

To access burner section, slide the sliding burner partition out of the unit.

To inspect blower wheel, shine a flashlight into draft hood opening. If cleaning is required, remove motor and wheel as follows:

1. Slide burner access panel out.
2. Remove the seven screws attaching the induced-draft motor housing to the vestibule plate. (See Fig. 49.)

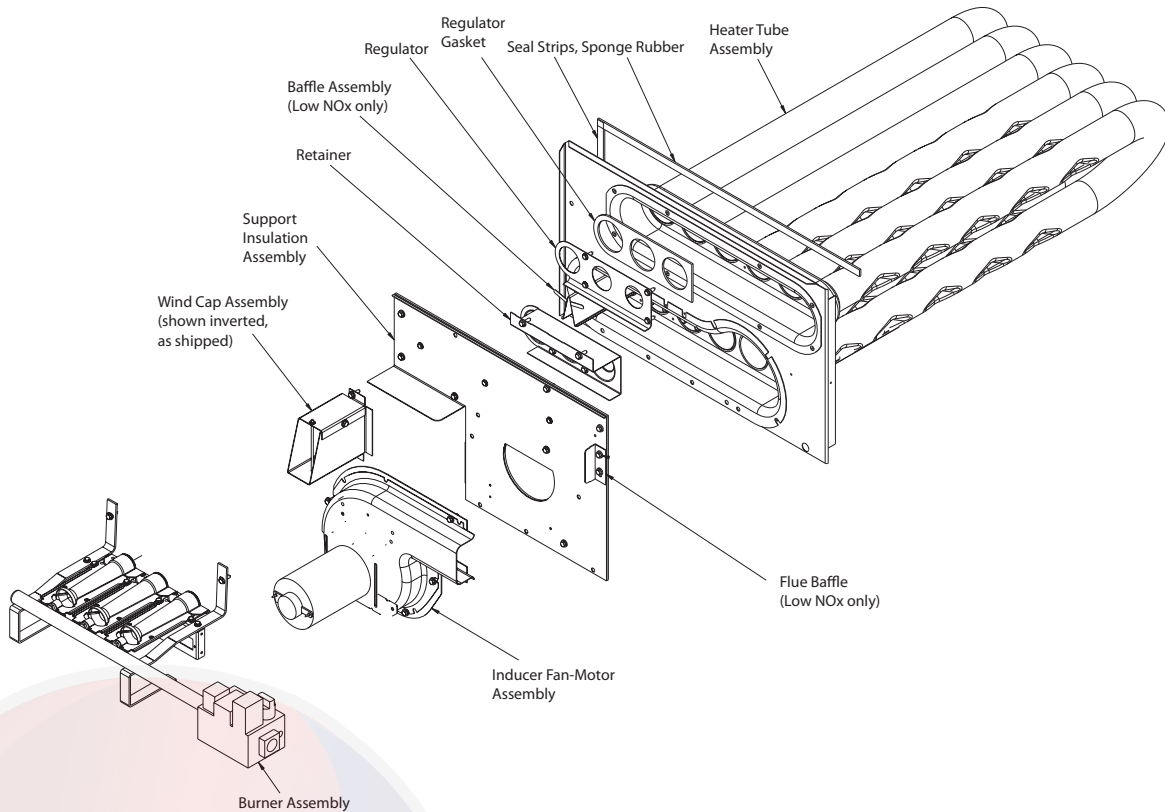


Fig. 49 - Heat Exchanger Assembly

C08227

3. The blower wheel can be cleaned at this point. If additional cleaning is required, continue with Steps 4. and 5.
4. Remove the blower from the motor shaft by removing two setscrews.
5. Removing motor: remove the four screws holding the motor to the mounting plate. Remove the motor cooling fan by removing one setscrew. Remove nuts that hold the motor to the mounting plate.
6. Reverse the procedure outlined above to reinstall the motor.

season, inspect for deterioration or blockage due to corrosion or other causes. Observe the main burner flames and adjust, if necessary.

Orifice projection — Refer to Fig. 50 for maximum projection dimension for orifice face to manifold tube.

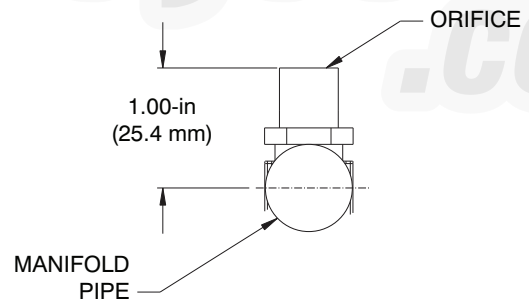


Fig. 50 - Orifice Projection

C08211

Burners and Igniters

⚠ CAUTION

EQUIPMENT DAMAGE HAZARD

Failure to follow this caution may result in equipment damage.

When working on gas train, do not hit or plug orifice spuds.

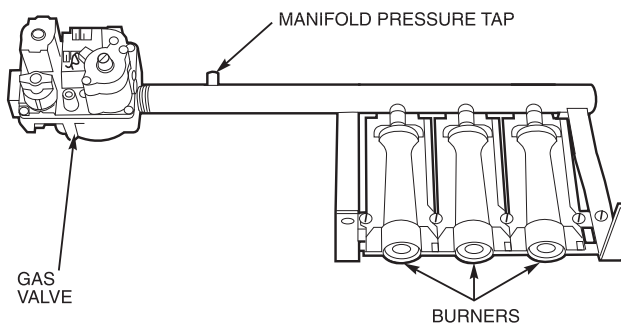
Main Burners

To access burners, remove burner access panel and slide out burner partition. At the beginning of each heating

Removal and Replacement of Gas Train

See Fig. 45, Fig. 49 and Fig. 51.

1. Shut off manual gas valve.
2. Shut off power to unit.
3. Slide out burner partition.
4. Disconnect gas piping at unit gas valve.
5. Remove wires connected to gas valve. Mark each wire.



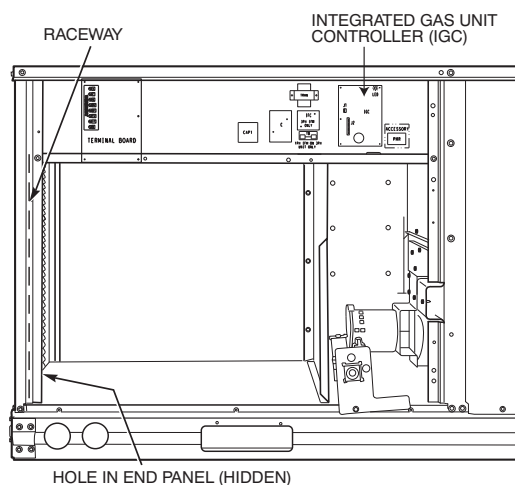
C06153

Fig. 51 - Burner Tray Details

6. Remove igniter wires and sensor wires at the Integrated Gas Unit Controller (IGC). (See Fig. 52.)
7. Remove the two screws attaching the burner rack to the vestibule plate (Fig. 50).
8. Slide the burner tray out of the unit (Fig. 51).
9. Reverse the procedures outlined above to reinstall the burner rack.

Cleaning and Adjustment

1. Remove burner rack from unit as described in Removal and Replacement of Gas Train section, above.
2. Inspect burners; if dirty, remove burners from rack. (Mark each burner to identify its position before removing from the rack.)
3. Use a soft brush to clean burners and cross-over port as required.
4. Adjust spark gap. (See Fig. 53 and Fig. 54.)
5. If factory orifice has been removed, check that each orifice is tight at its threads into the manifold pipe and that orifice projection does not exceed maximum valve. See Fig. 50.
6. Reinstall burners on rack in the same locations as factory-installed. (The outside crossover flame regions of the outermost burners are pinched off to prevent excessive gas flow from the side of the burner assembly. If the pinched crossovers are installed between two burners, the flame will not ignite properly.)



C08454

Fig. 52 - Unit Control Box/IGC Location

7. Reinstall burner rack as described in Removal and Replacement of Gas Train section, above.

Gas Valve — All three-phase models (except Low NOx) are equipped with 2-stage gas valves. Single-phase models and all Low NOx models are equipped with single-stage gas valves. See Fig. 57 for locations of adjustment screws and features on the gas valves.

To adjust gas valve pressure settings:

IMPORTANT: Leak check all gas connections including the main service connection, gas valve, gas spuds, and manifold pipe plug. All leaks must be repaired before firing unit.

Check Unit Operation and Make Necessary Adjustments

NOTE: Gas supply pressure at gas valve inlet must be within specified ranges for fuel type and unit size. See Table 9 and Table 10.

1. Remove manifold pressure tap plug from manifold and connect pressure gauge or manometer. (See Fig. 51.)
2. Turn on electrical supply.
3. Turn on unit main gas valve.
4. Set room thermostat to call for heat. If unit has two-stage gas valve, verify high-stage heat operation before attempting to adjust manifold pressure.
5. When main burners ignite, check all fittings, manifold, and orifices for leaks.
6. Adjust high-stage pressure to specified setting by turning the plastic adjustment screw clockwise to increase pressure, counter-clockwise to decrease pressure.
7. **For Two-Stage Gas Valves** set room thermostat to call for low-stage heat. Adjust low-stage pressure to specified setting.
8. Replace regulator cover screw(s) when finished.
9. With burner access panel removed, observe unit heating operation in both high stage and low stage operation if so equipped. Observe burner flames to see if they are blue in appearance, and that the flames are approximately the same for each burner.
10. Turn off unit, remove pressure manometer and replace the 1/8 in. pipe fitting on the gas manifold. (See Fig. 50.)

Limit Switch

Remove blower access panel. Limit switch is located on the fan deck. See Fig. 46.

Burner Ignition

Unit is equipped with a direct spark ignition 100% lockout system. Integrated Gas Unit Controller (IGC) is located in the control box. See Fig. 52. The IGC contains a self-diagnostic LED (light-emitting diode). A single LED (see Fig. 58) on the IGC provides a visual display of operational or sequential problems when the power supply is uninterrupted. When a break in power occurs, the IGC will be reset (resulting in a loss of fault history) and the indoor (evaporator) fan ON/OFF times will be reset. The

48HC

LED error code can be observed through the viewport. During servicing refer to the label on the control box cover or Table 13 for an explanation of LED error code descriptions.

If lockout occurs, unit may be reset by interrupting power supply to unit for at least 5 seconds.

48HC

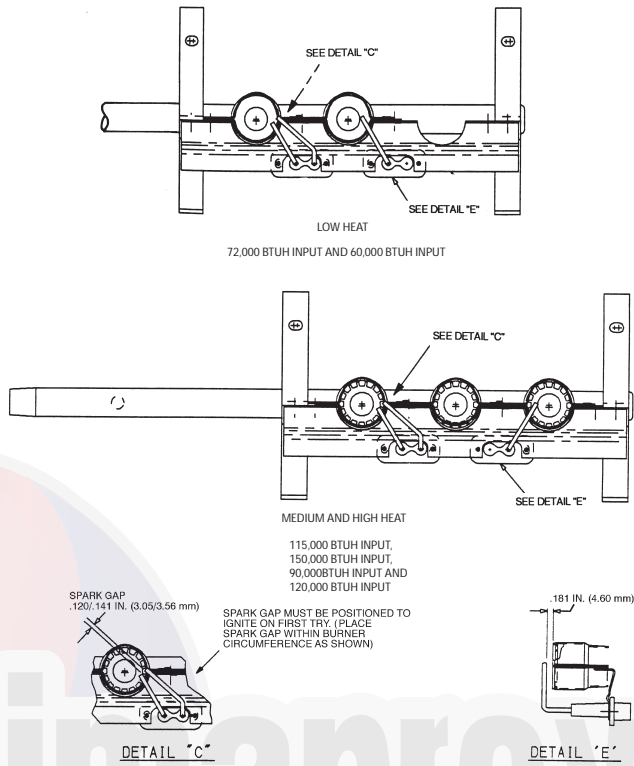


Fig. 53 - Spark Adjustment (Size 04-07)

C06154

Climaproyectos.com

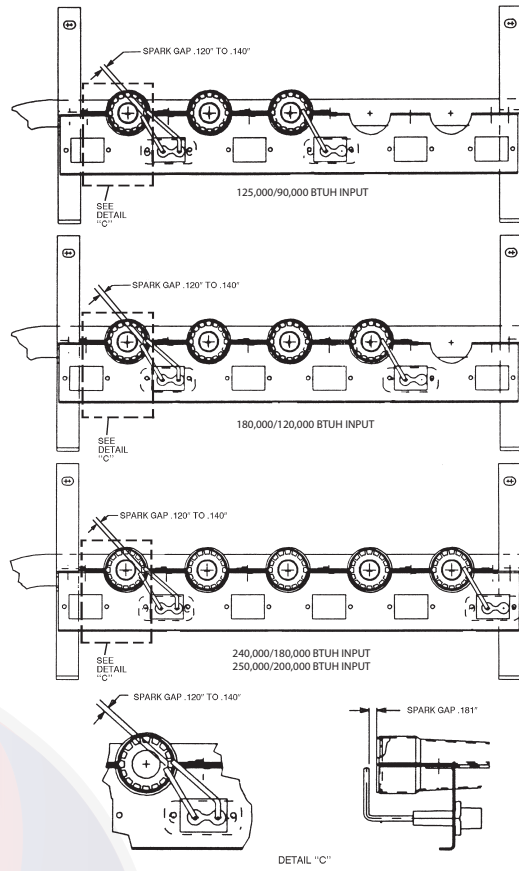


Fig. 54 - Spark Adjustment (Size 08-09)

C08447

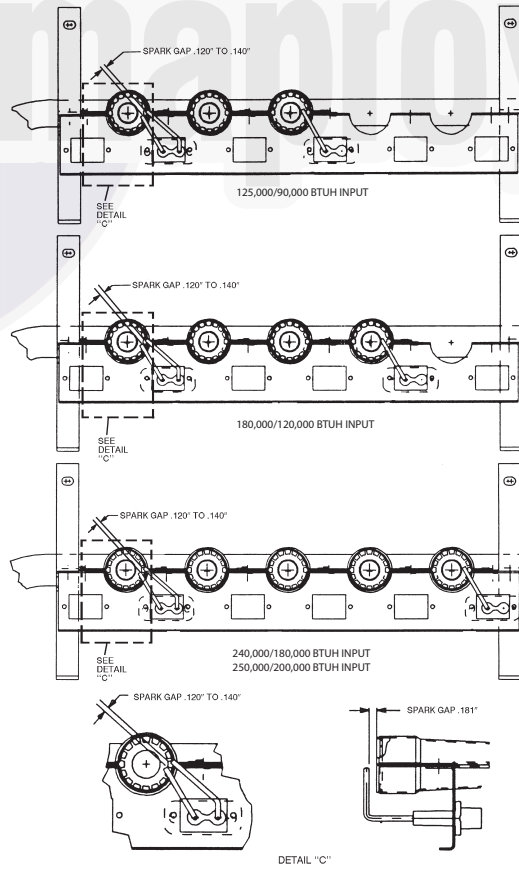
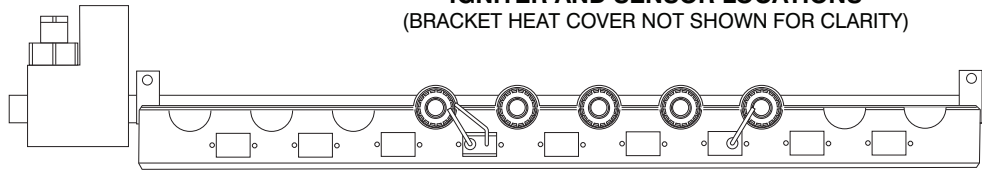


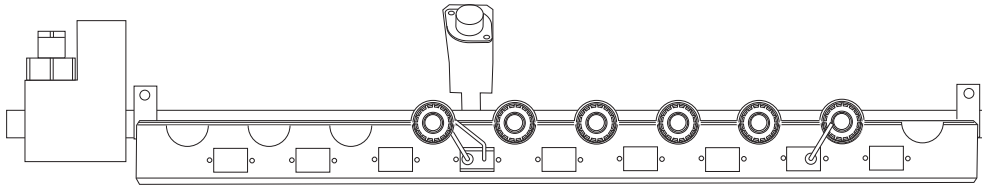
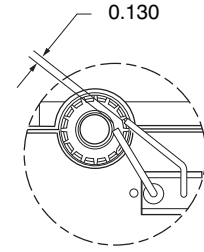
Fig. 55 - Spark Adjustment (Size 12)

C08447

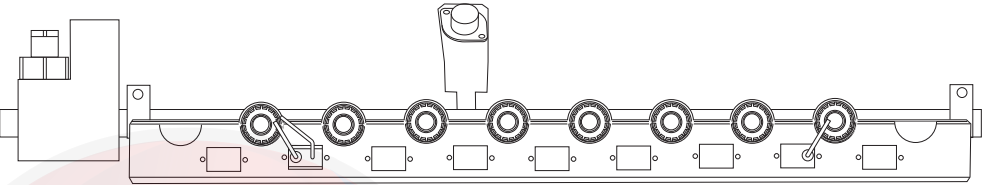
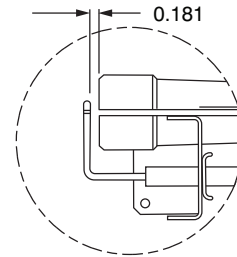
IGNITER AND SENSOR LOCATIONS
(BRACKET HEAT COVER NOT SHOWN FOR CLARITY)



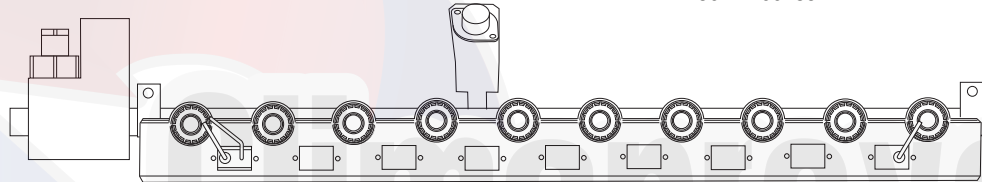
5 CELL
50TM400735



6 CELL
50TM400484



8 CELL
50TM400485



10 CELL
50TM400439

Fig. 56 - Spark Adjustment (Size 14)

C12092

Table 13 – LED Error Code Description*

LED INDICATION	ERROR CODE DESCRIPTION
ON	Normal Operation
OFF	Hardware Failure
1 Flash†	Evaporator Fan On/Off Delay Modified
2 Flashes	Limit Switch Fault
3 Flashes	Flame Sense Fault
4 Flashes	4 Consecutive Limit Switch Faults
5 Flashes	Ignition Lockout Fault
6 Flashes	Induced–Draft Motor Fault
7 Flashes	Rollout Switch Fault
8 Flashes	Internal Control Fault
9 Flashes	Software Lockout

LEGEND

LED – Light Emitting Diode

* . A 3–second pause exists between LED error code flashes. If more than one error code exists, all applicable codes will be displayed in numerical sequence.

† Indicates a code that is not an error. The unit will continue to operate when this code is displayed.

IMPORTANT: Refer to Troubleshooting Table 13 and Table 14 for additional information.

Orifice Replacement

This unit uses orifice type LH32RFnnn (where nnn indicates orifice reference size). When replacing unit orifices, order the necessary parts through RCD. See Table 15 for available orifice sizes. See Table 16 and Table 17 for orifice sizes for Natural Gas and LP fuel usage at various elevations above sea level.

Ensure each replacement orifice is tight as its threads into the manifold pipe and the orifice projection does not exceed maximum value. See Fig. 50.

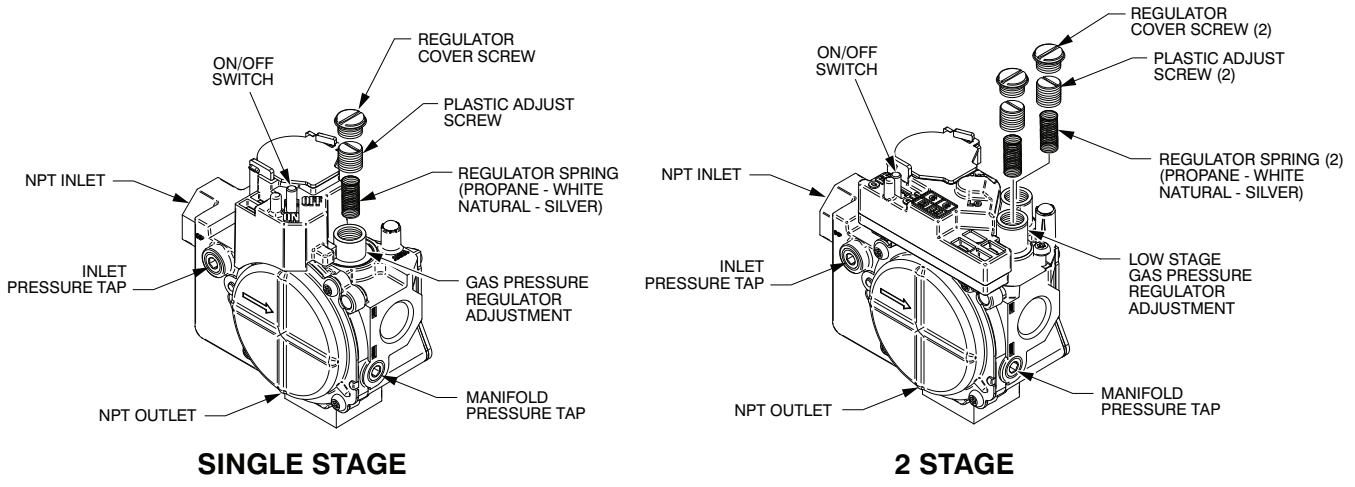


Fig. 57 - Typical Gas Valves

C12066

48HC

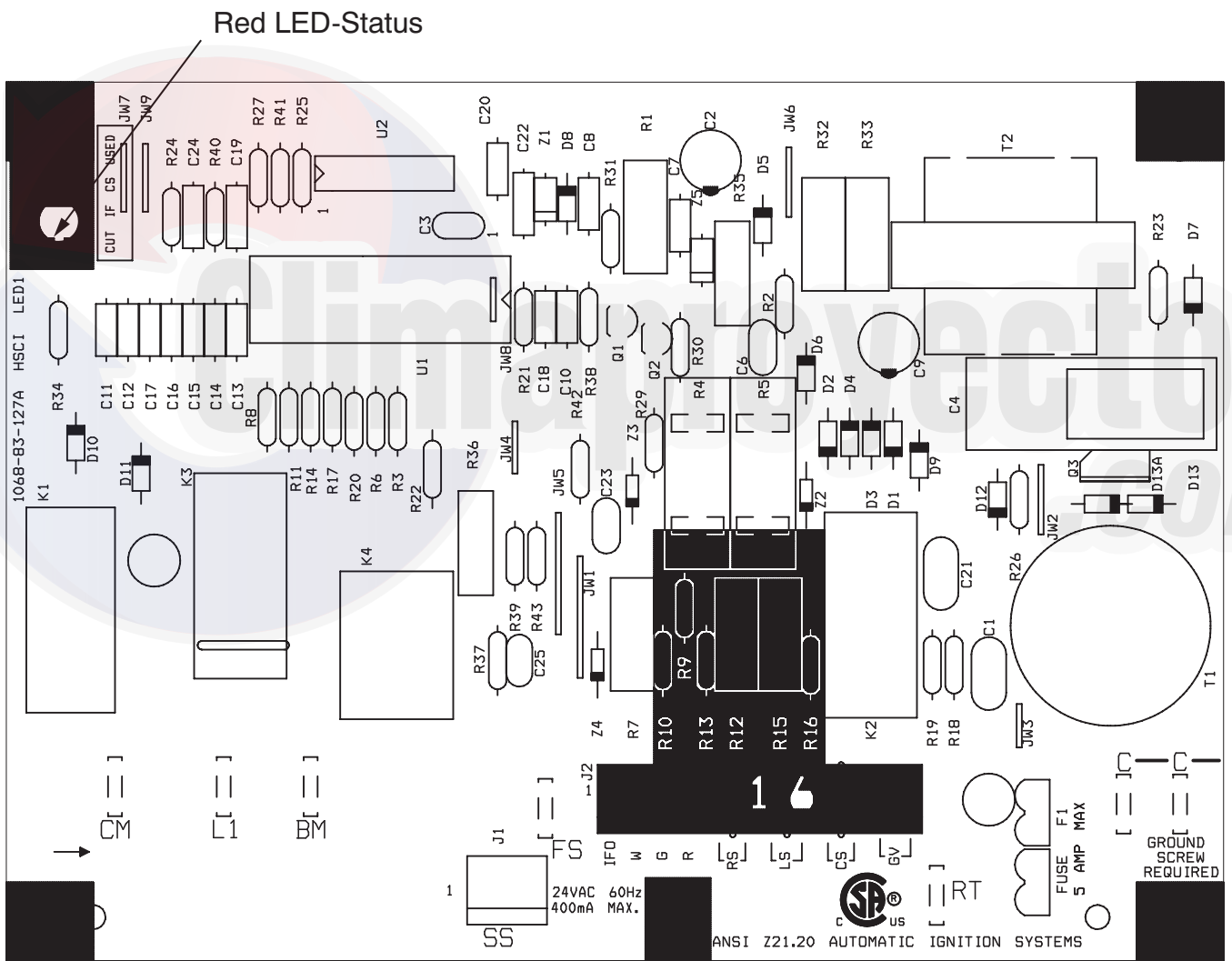


Fig. 58 - Integrated Gas Control (IGC) Board

C08452

Table 14 – IGC Connections

TERMINAL LABEL	POINT DESCRIPTION	SENSOR LOCATION	TYPE OF I/O	CONNECTION PIN NUMBER
INPUTS				
RT, C	Input power from TRAN 1	control box	24 VAC	—
SS	Speed sensor	gas section	analog input	J1, 1-3
FS, T1	Flame sensor	gas section	switch input	—
W	Heat stage 1	LCTB	24 VAC	J2, 2
RS	Rollout switch	gas section	switch input	J2, 5-6
LS	Limit switch	fan section	switch input	J2, 7-8
CS	Centrifugal switch (not used)	—	switch input	J2, 9-10
OUTPUTS				
L1, CM	Induced draft combustion motor	gas section	line VAC	
IFO	Indoor fan	control box	relay	J2, 1
GV	Gas valve (heat stage 1)	gas section	relay	J2, 11-12

Table 15 – Orifice Sizes

ORIFICE DRILL SIZE	PART NUMBER	DRILL DIA. (in.)
#30	LH32RF129	0.1285
1/8	LH32RF125	0.1250
#31	LH32RF120	0.1200
#32	LH32RF116	0.1160
#33	LH32RF113	0.1130
#34	LH32RF111	0.1110
#35	LH32RF110	0.1100
#36	LH32RF105	0.1065
#37	LH32RF104	0.1040
#38	LH32RF102	0.1015
#39	LH32RF103	0.0995
#40	LH32RF098	0.0980
#41	LH32RF096	0.0960
#42	LH32RF094	0.0935
#43	LH32RF089	0.0890
#44	LH32RF086	0.0860
#45	LH32RF082	0.0820
#46	LH32RF080	0.0810
#47	LH32RF079	0.0785
#48	LH32RF076	0.0760
#49	LH32RF073	0.0730
#50	LH32RF070	0.0700
#51	LH32RF067	0.0670
#52	LH32RF065	0.0635
#53	LH32RF060	0.0595
#54	LH32RF055	0.0550
#55	LH32RF052	0.0520
#56	LH32RF047	0.0465
#57	LH32RF043	0.0430
#58	LH32RF042	0.0420

48HC

Table 16 – Altitude Compensation* (04-06)

NATURAL GAS

ELEVATION		NOMINAL HEAT INPUT					
		72k BTUH		115k BTUH		150k BTUH	
Feet	Meters	Orifice Size	Input (btu/hr)	Orifice Size	Input (btu/hr)	Orifice Size	Input (btu/hr)
0 – 2000	0 – 610	33 ¹	72,000	33 ¹	115,000	†30	150,000
2000	610	35 ¹	66,240	35 ¹	105,800	†30	138,000
3000	914	35 ¹	63,360	35 ¹	101,200	31 ¹	132,000
4000	1219	36 ¹	60,480	36 ¹	96,600	31 ¹	126,000
5000	1524	36 ¹	57,600	36 ¹	92,000	31 ¹	120,000
6000	1829	37 ²	54,720	37 ²	87,400	31 ¹	114,000
7000	2134	38 ²	51,840	38 ²	82,800	32 ¹	108,000
8000	2438	39 ²	48,960	39 ²	78,200	33 ¹	102,000
9000	2743	†40	46,080	†40	73,600	33 ¹	96,000
10000	3048	†41	43,200	†41	69,000	35 ¹	90,000
11000	3353	†42	40,320	†42	64,400	36 ¹	84,000
12000	3658	†43	37,440	†43	59,800	37 ²	78,000
13000	3962	†43	34,560	†43	55,200	38 ²	72,000
14000	4267	44 ²	31,680	44 ²	50,600	†40	66,000

PROPANE GAS

ELEVATION		NOMINAL HEAT INPUT					
		72k BTUH		115k BTUH		150k BTUH	
Feet	Meters	Orifice Size	Input (btu/hr)	Orifice Size	Input (btu/hr)	Orifice Size	Input (btu/hr)
0 – 2000	0 – 610	51 ⁴	72,000	50 ³	115,000	46 ³	150,000
2000	610	51 ⁴	66,240	51 ⁴	105,800	47 ³	138,000
3000	914	52 ⁴	63,360	51 ⁴	101,200	47 ³	132,000
4000	1219	52 ⁴	60,480	51 ⁴	96,600	48 ³	126,000
5000	1524	52 ⁴	57,600	51 ⁴	92,000	48 ³	120,000
6000	1829	52 ⁴	54,720	52 ⁴	87,400	48 ³	114,000
7000	2134	53 ⁴	51,840	52 ⁴	82,800	49 ³	108,000
8000	2438	53 ⁴	48,960	52 ⁴	78,200	49 ³	102,000
9000	2743	53 ⁴	46,080	53 ⁴	73,600	50 ³	96,000
10000	3048	54 ⁴	43,200	53 ⁴	69,000	50 ³	90,000
11000	3353	54 ⁴	40,320	53 ⁴	64,400	51 ⁴	84,000
12000	3658	54 ⁴	37,440	54 ⁴	59,800	51 ⁴	78,000
13000	3962	55 ⁴	34,560	54 ⁴	55,200	52 ⁴	72,000
14000	4267	†56	31,680	55 ⁴	50,600	53 ⁴	66,000

* As the height above sea level increases, there is less oxygen per cubic ft. of air. Therefore, heat input rate should be reduced at higher altitudes.

† Not included in kit. May be purchased separately through dealer.

ORIFICE

- XX¹
- XX²
- XX³
- XX⁴

ACC. KIT PN

- CRLPELEV001A00
- CRLPELEV002A00
- CRLPELEV003A00
- CRLPELEV004A00

48HC

tos.com

Table 17 – Altitude Compensation* (07-12)

NATURAL GAS

ELEVATION		NOMINAL HEAT INPUT											
		72k BTUH		125k BTUH		150k BTUH		180k BTUH		224k BTUH		250k BTUH	
FT	M	Orifice Size	Input (btu/hr)	Orifice Size	Input (btu/hr)	Orifice Size	Input (btu/hr)	Orifice Size	Input (btu/hr)	Orifice Size	Input (btu/hr)	Orifice Size	Input (btu/hr)
0 – 2000	0 – 610	33 ¹	72,000	31 ¹	125,000	32 ¹	150,000	31 ¹	180,000	31 ¹	224,000	†30	250,000
2000	610	35 ¹	66,240	32 ¹	115,000	33 ¹	138,000	32 ¹	165,600	32 ¹	206,080	†30	230,000
3000	914	35 ¹	63,360	32 ¹	110,000	35 ¹	132,000	32 ¹	158,400	32 ¹	197,120	31 ¹	220,000
4000	1219	36 ¹	60,480	33 ¹	105,000	35 ¹	126,000	33 ¹	151,200	33 ¹	188,160	31 ¹	210,000
5000	1524	36 ¹	57,600	33 ¹	100,000	35 ¹	120,000	33 ¹	144,000	33 ¹	179,200	31 ¹	200,000
6000	1829	37 ²	54,720	35 ¹	95,000	36 ¹	114,000	33 ¹	136,800	33 ¹	170,240	31 ¹	190,000
7000	2134	38 ²	51,840	35 ¹	90,000	36 ¹	108,000	35 ¹	129,600	35 ¹	161,280	32 ¹	180,000
8000	2438	38 ²	48,960	36 ¹	85,000	36 ¹	102,000	36 ¹	122,400	36 ¹	152,320	33 ¹	170,000
9000	2743	†40	46,080	37 ²	80,000	37 ²	96,000	37 ²	115,200	37 ²	143,360	33 ¹	160,000
10000	3048	†41	43,200	38 ²	75,000	38 ²	90,000	38 ²	108,000	38 ²	134,400	35 ¹	150,000
11000	3353	†42	40,320	39 ²	70,000	†40	84,000	39 ²	100,800	39 ²	125,440	36 ¹	140,000
12000	3658	†42	37,440	†41	65,000	†40	78,000	†41	93,600	†41	116,480	37 ²	130,000
13000	3962	†43	34,560	†42	60,000	†41	72,000	†42	86,400	†42	107,520	38 ²	120,000
14000	4267	†43	31,680	†43	55,000	†41	66,000	†43	79,200	†43	98,560	†40	110,000

PROPANE GAS

ELEVATION		NOMINAL HEAT INPUT											
		72k BTUH		125k BTUH		150k BTUH		180k BTUH		224k BTUH		250k BTUH	
FT	M	Orifice Size	Input (btu/hr)	Orifice Size	Input (btu/hr)	Orifice Size	Input (btu/hr)	Orifice Size	Input (btu/hr)	Orifice Size	Input (btu/hr)	Orifice Size	Input (btu/hr)
0 – 2000	0 – 610	51 ⁴	72,000	49 ³	125,000	50 ³	150,000	48 ³	180,000	48 ³	224,000	46 ³	250,000
2000	610	51 ⁴	66,240	50 ³	115,000	51 ⁴	138,000	49 ³	165,600	49 ³	206,080	47 ³	230,000
3000	914	52 ⁴	63,360	50 ³	110,000	51 ⁴	132,000	49 ³	158,400	49 ³	197,120	47 ³	220,000
4000	1219	52 ⁴	60,480	50 ³	105,000	51 ⁴	126,000	49 ³	151,200	49 ³	188,160	48 ³	210,000
5000	1524	52 ⁴	57,600	51 ⁴	100,000	51 ⁴	120,000	50 ³	144,000	50 ³	179,200	48 ³	200,000
6000	1829	52 ⁴	54,720	51 ⁴	95,000	52 ⁴	114,000	50 ³	136,800	50 ³	170,240	48 ³	190,000
7000	2134	53 ⁴	51,840	51 ⁴	90,000	52 ⁴	108,000	50 ³	129,600	50 ³	161,280	49 ³	180,000
8000	2438	53 ⁴	48,960	52 ⁴	85,000	52 ⁴	102,000	51 ⁴	122,400	51 ⁴	152,320	49 ³	170,000
9000	2743	53 ⁴	46,080	52 ⁴	80,000	53 ⁴	96,000	51 ⁴	115,200	51 ⁴	143,360	50 ³	160,000
10000	3048	54 ⁴	43,200	52 ⁴	75,000	53 ⁴	90,000	52 ⁴	108,000	52 ⁴	134,400	50 ³	150,000
11000	3353	54 ⁴	40,320	53 ⁴	70,000	53 ⁴	84,000	52 ⁴	100,800	52 ⁴	125,440	51 ⁴	140,000
12000	3658	54 ⁴	37,440	53 ⁴	65,000	53 ⁴	78,000	53 ⁴	93,600	53 ⁴	116,480	51 ⁴	130,000
13000	3962	55 ⁴	34,560	54 ⁴	60,000	53 ⁴	72,000	53 ⁴	86,400	53 ⁴	107,520	52 ⁴	120,000
14000	4267	55 ⁴	31,680	54 ⁴	55,000	55 ⁴	66,000	54 ⁴	79,200	54 ⁴	98,560	53 ⁴	110,000

* As the height above sea level increases, there is less oxygen per cubic ft. of air. Therefore, heat input rate should be reduced at higher altitudes.

† Not included in kit. May be purchased separately through dealer.

ORIFICE	ACC. KIT PN
XX ¹	CRLPELEV001A00
XX ²	CRLPELEV002A00
XX ³	CRLPELEV003A00
XX ⁴	CRLPELEV004A00

48HC

Table 18 – Altitude Compensation* (14)

NATURAL GAS

ELEVATION		NOMINAL HEAT INPUT									
		150k BTUH		180k BTUH		240k BTUH		315k BTUH		350k BTUH	
FT	M	Orifice Size	Input (btu/hr)	Orifice Size	Input (btu/hr)	Orifice Size	Input (btu/hr)	Orifice Size	Input (btu/hr)	Orifice Size	Input (btu/hr)
0 - 2000	0 - 610	37 [†]	150,000	37 [†]	180,000	37 [†]	240,000	†35	315,000	†35	350,000
2000	610	38 [†]	138,000	38 [†]	165,600	38 [†]	220,800	36 [†]	289,800	36 [†]	322,000
3000	914	39 [†]	132,000	39 [†]	158,400	39 [†]	211,200	36 [†]	277,200	36 [†]	308,000
4000	1219	39 [†]	126,000	39 [†]	151,200	39 [†]	201,600	37 [†]	264,600	37 [†]	294,000
5000	1524	40 [†]	120,000	40 [†]	144,000	40 [†]	192,000	37 [†]	252,000	37 [†]	280,000
6000	1829	41 [†]	114,000	41 [†]	136,800	41 [†]	182,400	38 [†]	239,400	38 [†]	266,000
7000	2134	42 [†]	108,000	42 [†]	129,600	42 [†]	172,800	39 [†]	226,800	39 [†]	252,000
8000	2438	42 [†]	102,000	42 [†]	122,400	42 [†]	163,200	40 [†]	214,200	40 [†]	238,000
9000	2743	43 [†]	96,000	43 [†]	115,200	43 [†]	153,600	41 [†]	201,600	41 [†]	224,000
10000	3048	43 [†]	90,000	43 [†]	108,000	43 [†]	144,000	42 [†]	189,000	42 [†]	210,000
11000	3353	†44	84,000	†44	100,800	†44	134,400	43 [†]	176,400	43 [†]	196,000
12000	3658	†45	78,000	†45	93,600	†45	124,800	43 [†]	163,800	43 [†]	182,000
13000	3962	†46	72,000	†46	86,400	†46	115,200	†44	151,200	†44	168,000
14000	4267	†47	66,000	†47	79,200	†47	105,600	†45	138,600	†45	154,000

PROPANE GAS

ELEVATION		NOMINAL HEAT INPUT									
		150k BTUH		180k BTUH		240k BTUH		252k BTUH		350k BTUH	
FT	M	Orifice Size	Input (btu/hr)	Orifice Size	Input (btu/hr)	Orifice Size	Input (btu/hr)	Orifice Size	Input (btu/hr)	Orifice Size	Input (btu/hr)
0 - 2000	0 - 610	52 [†]	150,000	52 [†]	180,000	52 [†]	240,000	51 [†]	252,000	51 [†]	350,000
2000	610	52 [†]	138,000	52 [†]	165,600	52 [†]	220,800	51 [†]	231,840	51 [†]	322,000
3000	914	53 [†]	132,000	53 [†]	158,400	53 [†]	211,200	52 [†]	221,760	52 [†]	308,000
4000	1219	53 [†]	126,000	53 [†]	151,200	53 [†]	201,600	52 [†]	211,680	52 [†]	294,000
5000	1524	53 [†]	120,000	53 [†]	144,000	53 [†]	192,000	52 [†]	201,600	52 [†]	280,000
6000	1829	53 [†]	114,000	53 [†]	136,800	53 [†]	182,400	52 [†]	191,520	52 [†]	266,000
7000	2134	53 [†]	108,000	53 [†]	129,600	53 [†]	172,800	53 [†]	181,440	53 [†]	252,000
8000	2438	54 [†]	102,000	54 [†]	122,400	54 [†]	163,200	53 [†]	171,360	53 [†]	238,000
9000	2743	54 [†]	96,000	54 [†]	115,200	54 [†]	153,600	53 [†]	161,280	53 [†]	224,000
10000	3048	54 [†]	90,000	54 [†]	108,000	54 [†]	144,000	54 [†]	151,200	54 [†]	210,000
11000	3353	55 [†]	84,000	55 [†]	100,800	55 [†]	134,400	54 [†]	141,120	54 [†]	196,000
12000	3658	55 [†]	78,000	55 [†]	93,600	55 [†]	124,800	54 [†]	131,040	54 [†]	182,000
13000	3962	55 [†]	72,000	55 [†]	86,400	55 [†]	115,200	55 [†]	120,960	55 [†]	168,000
14000	4267	†56	66,000	†56	79,200	†56	105,600	55 [†]	110,880	55 [†]	154,000

* As the height above sea level increases, there is less oxygen per cubic ft. of air. Therefore, heat input rate should be reduced at higher altitudes.
 † Not included in kit. May be purchased separately through dealer.

ORIFICE	ACC. KIT PN
XX ⁷	CRLPELEV007A00
XX ⁸	CRLPELEV008A00
XX ⁹	CRLPELEV009A00

48HC

Table 19 – Altitude Compensation* (04-06) - Low NOx Units

NATURAL GAS ONLY

ELEVATION		NOMINAL HEAT INPUT					
		60k BTUH		90k BTUH		120k BTUH	
Feet	Meters	Orifice Size	Input (btu/hr)	Orifice Size	Input (btu/hr)	Orifice Size	Input (btu/hr)
0 – 2000	0 – 610	38 ²	60,000	38 ²	90,000	32 ¹	120,000
2000	610	39 ²	55,200	39 ²	82,800	33 ¹	110,400
3000	914	†40	52,800	†40	79,200	33 ¹	105,600
4000	1219	†41	50,400	†41	75,600	35 ¹	100,800
5000	1524	†41	48,000	†41	72,000	35 ¹	96,000
6000	1829	†42	45,600	†42	68,400	36 ¹	91,200
7000	2134	†42	43,200	†42	64,800	36 ¹	86,400
8000	2438	†43	40,800	†43	61,200	37 ²	81,600
9000	2743	†43	38,400	†43	57,600	38 ²	76,800
10000	3048	44 ²	36,000	44 ²	54,000	†40	72,000
11000	3353	44 ²	33,600	44 ²	50,400	†41	67,200
12000	3658	45 ²	31,200	45 ²	46,800	†42	62,400
13000	3962	47 ³	28,800	47 ³	43,200	†43	57,600
14000	4267	48 ³	26,400	48 ³	39,600	†43	52,800

* As the height above sea level increases, there is less oxygen per cubic ft. of air. Therefore, heat input rate should be reduced at higher altitudes.

† Not included in kit. May be purchased separately through dealer.

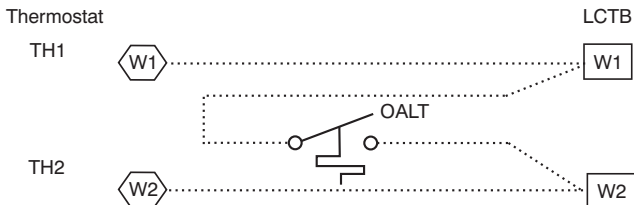
ORIFICE	ACC. KIT PN
XX ¹	CRLPELEV001A00
XX ²	CRLPELEV002A00
XX ³	CRLPELEV003A00
XX ⁴	CRLPELEV004A00

Minimum heating entering air temperature

When operating on first stage heating, the minimum temperature of air entering the dimpled heat exchanger is 50°F continuous and 45°F intermittent for standard heat exchangers and 40°F continuous and 35°F intermittent for stainless steel heat exchangers. To operate at lower mixed-air temperatures, a field-supplied outdoor-air thermostat must be used to initiate both stages of heat when the temperature is below the minimum required temperature to ensure full fire operation. Wire the outdoor-air thermostat OALT (part no. HH22AG106) in series with the second stage gas valve. See Fig. 59. Set the outdoor-air thermostat at 35°F for stainless steel heat exchangers or 45°F for standard heat exchangers. This temperature setting will bring on the second stage of heat whenever the ambient temperature is below the thermostat setpoint. Indoor comfort may be compromised when heating is initiated using low entering air temperatures with insufficient heating temperature rise.

Troubleshooting Heating System

Refer to Table 20 and Table 21 for additional troubleshooting topics.



C08442

Fig. 59 - OALT Connections

Table 20 – Heating Service Troubleshooting

PROBLEM	CAUSE	REMEDY
Burners Will Not Ignite.	Misaligned spark electrodes.	Check flame ignition and sensor electrode positioning. Adjust as needed.
	No gas at main burners.	Check gas line for air, purge as necessary. After purging gas line of air, allow gas to dissipate for at least 5 minutes before attempting to relight unit. Check gas valve.
	Water in gas line.	Drain water and install drip leg to trap water.
	No power to furnace.	Check power supply, fuses, wiring, and circuit breaker.
	No 24 v power supply to control circuit.	Check transformer. Transformers with internal overcurrent protection require a cool down period before resetting.
	Miswired or loose connections.	Check all wiring and wire nut connections.
	Burned –out heat anticipator in thermostat.	Replace thermostat.
	Broken thermostat wires.	Run continuity check. Replace wires, if necessary.
Inadequate Heating.	Dirty air filter.	Clean or replace filter as necessary.
	Gas input to unit too low.	Check gas pressure at manifold. Clock gas meter for input. If too low, increase manifold pressure, or replace with correct orifices.
	Unit undersized for application.	Replace with proper unit or add additional unit.
	Restricted airflow.	Clean filter, replace filter, or remove any restrictions.
	Blower speed too low.	Use high speed tap, increase fan speed, or install optional blower, as suitable for individual units.
	Limit switch cycles main burners.	Check rotation of blower, thermostat heat anticipator settings, and temperature rise of unit. Adjust as needed.
	Too much outdoor air.	Adjust minimum position. Check economizer operation.
Poor Flame Characteristics.	Incomplete combustion (lack of combustion air) results in: Aldehyde odors, CO, sooting flame, or floating flame.	Check all screws around flue outlets and burner compartment. Tighten as necessary.
		Cracked heat exchanger.
		Overfired unit — reduce input, change orifices, or adjust gas line or manifold pressure.
		Check vent for restriction. Clean as necessary.
		Check orifice to burner alignment.
Burners Will Not Turn Off.	Unit is locked into Heating mode for a one minute minimum.	Wait until mandatory one –minute time period has elapsed or reset power to unit.

48HC

Table 21 – IGC Board LED Alarm Codes

LED FLASH CODE	DESCRIPTION	ACTION TAKEN BY CONTROL	RESET METHOD	PROBABLE CAUSE
On	Normal Operation	—	—	—
Off	Hardware Failure	No gas heating.	—	Loss of power to the IGC. Check 5 amp fuse on IGC, power to unit, 24V circuit breaker, transformer, and wiring to the IGC.
2 Flashes	Limit Switch Fault	Gas valve and igniter Off. Indoor fan and inducer On.	Limit switch closed, or heat call (W) Off.	High temperature limit switch is open. Check the operation of the indoor (evaporator) fan motor. Ensure that the supply-air temperature rise is within the range on the unit nameplate. Check wiring and limit switch operation.
3 Flashes	Flame Sense Fault	Indoor fan and inducer On.	Flame sense normal. Power reset for LED reset.	The IGC sensed a flame when the gas valve should be closed. Check wiring, flame sensor, and gas valve operation.
4 Flashes	Four Consecutive Limit Switch Fault	No gas heating.	Heat call (W) Off. Power reset for LED reset.	4 consecutive limit switch faults within a single call for heat. See Limit Switch Fault.
5 Flashes	Ignition Fault	No gas heating.	Heat call (W) Off. Power reset for LED reset.	Unit unsuccessfully attempted ignition for 15 minutes. Check igniter and flame sensor electrode spacing, gaps, etc. Check flame sense and igniter wiring. Check gas valve operation and gas supply. Check gas valve connections to IGC terminals. BRN lead must be on Pin 11.
6 Flashes	Induced Draft Motor Fault	If heat off: no gas heating. If heat on: gas valve Off and inducer On.	Inducer sense normal, or heat call (W) Off.	Inducer sense On when heat call Off, or inducer sense Off when heat call On. Check wiring, voltage, and operation of IGC motor. Check speed sensor wiring to IGC.
7 Flashes	Rollout Switch Lockout	Gas valve and igniter Off. Indoor fan and inducer On.	Power reset.	Rollout switch has opened. Check gas valve operation. Check induced-draft blower wheel is properly secured to motor shaft.
8 Flashes	Internal Control Lockout	No gas heating.	Power reset.	IGC has sensed internal hardware or software error. If fault is not cleared by resetting 24 v power, replace the IGC.
9 Flashes	Temporary Software Lockout	No gas heating.	1 hour auto reset, or power reset.	Electrical interference is disrupting the IGC software.

LEGEND

IGC – Integrated Gas Unit Control

LED – Light–Emitting Diode

NOTES:

1. There is a 3–second pause between alarm code displays.
2. If more than one alarm code exists, all applicable alarm codes will be displayed in numerical sequence.
3. Alarm codes on the IGC will be lost if power to the unit is interrupted.

PREMIERLINK™ CONTROL

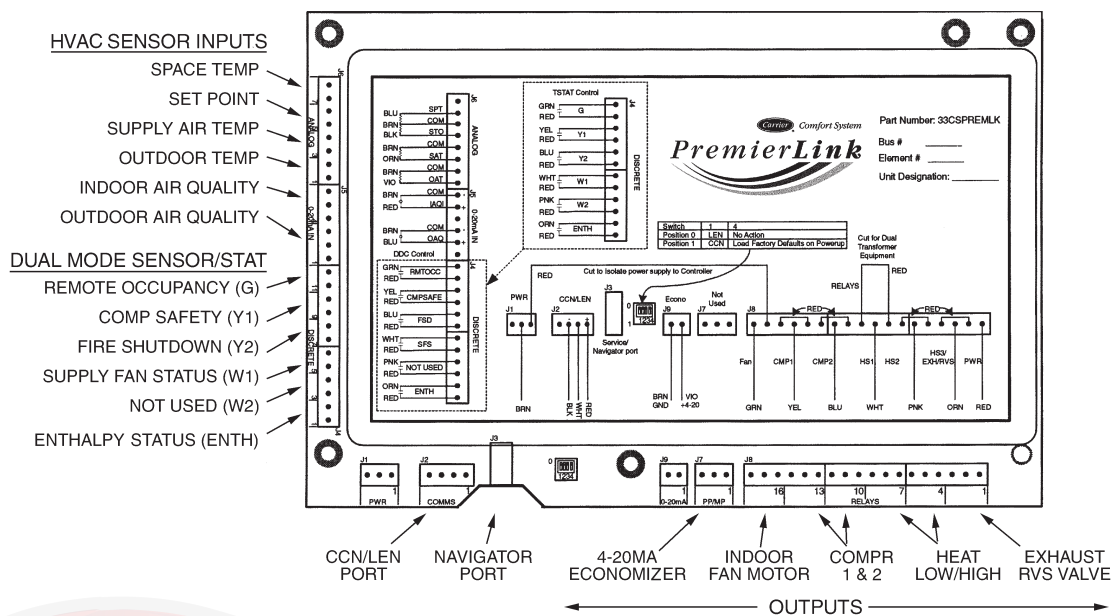


Fig. 60 - PremierLink Controller

C08199

48HC

The PremierLink controller (see Fig. 60) is compatible with Carrier Comfort Network® (CCN) devices. This control is designed to allow users the access and ability to change factory-defined settings, thus expanding the function of the standard unit control board. CCN service access tools include System Pilot™, Touch Pilot™ and Service Tool. Standard tier display tools, Navigator™ and Scrolling Marquee, are not suitable for use with the latest PremierLink controller (Version 2.x).

The PremierLink control is factory-mounted in the unit's main control box to the left of the LCTB. Factory wiring is completed through harnesses connected to the LCTB thermostat. Field connections are made at a 16-pole terminal block (TB1) located on the bottom shelf of the unit control box in front of the PremierLink controller. The factory-installed PremierLink control includes the supply-air temperature (SAT) sensor. The outdoor air temperature (OAT) sensor is included in the FIOP/accessory EconoMi\$er 2 package.

The factory-installed PremierLink Controller includes the supply-air temperature (SAT) sensor. The outdoor air temperature (OAT) sensor is included in the FIOP/accessory EconoMi\$er 2 package.

Refer to Fig. 60 for PremierLink connection locations.

NOTE: Refer to *PremierLink™ Installation, Start-Up and Configuration Instructions*. Have a copy of this manual available at unit start-up.

RTU-OPEN CONTROL SYSTEM

The RTU Open controller is an integrated component of the Carrier rooftop unit. Its internal application programming provides optimum performance and energy efficiency. RTU Open enables the unit to run in 100% stand-alone control

mode, Carrier's I-Vu Open network, or a Third Party Building Automation System (BAS). On-board DIP switches allow you to select your protocol (and baud rate) of choice among the four most popular protocols in use today: BACnet, Modbus, Johnson N2 and LonWorks.

The RTU Open control is factory-mounted in the unit's main control box, to the left of the Light Commercial Terminal Board (LCTB). Factory wiring is completed through harnesses connected to the LCTB. Field connections for RTU Open sensors will be made at the Phoenix connectors on the RTU Open board. The factory-installed RTU Open control includes the supply-air temperature (SAT) sensor. The outdoor air temperature (OAT) sensor is included in the FIOP/accessory EconoMi\$er2 package.

SENSORY/ACCESSORY INSTALLATION

There are a variety of sensors and accessories available for the RTU-OPEN. Some of these can be factory or field installed, while others are only field installable. The RTU-OPEN controller may also require connection to a building network system or building zoning system. All field control wiring that connects to the RTU-OPEN must be routed through the raceway built into the corner post of the unit or secured to the unit control box with electrical conduit. The unit raceway provides the UL required clearance between high and low-voltage wiring. Pass the control wires through the hole provided in the corner post, then feed the wires through the raceway to the RTU-OPEN. Connect the wires to the removable Phoenix connectors and then reconnect the connectors to the board. **IMPORTANT:** Refer to the specific sensor or accessory instructions for its proper installation and for rooftop unit

installation refer to base unit installation instructions and the unit's wiring diagrams.

WARNING

ELECTRICAL SHOCK HAZARD

Failure to follow this warning could result in personal injury, death and/or equipment damage.

Disconnect and lock-out/tagout electrical power before wiring the RTU-OPEN controller.

ADDITIONAL RTU-OPEN INSTALLATION AND TROUBLESHOOTING

Additional installation, wiring and troubleshooting information for the RTU-OPEN Controller can be found in the following manuals: *“Controls, Start-up, Operation and Troubleshooting Instructions,”* and *“RTU Open Installation and Start-up Guide.”*

48HC



Climaproyectos
.com

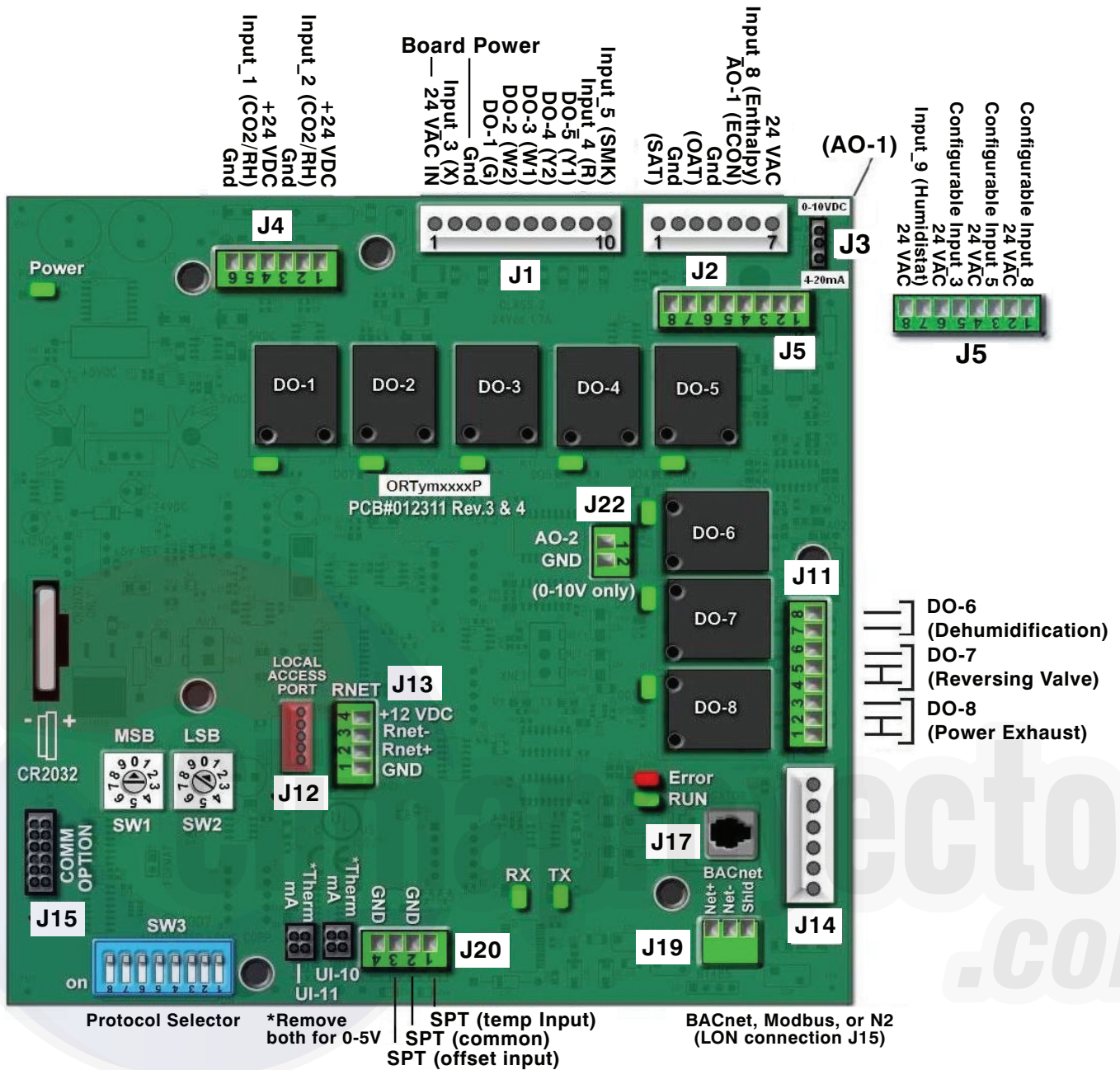


Fig. 61 - RTU-Open Control Module

C10818

ECONOMIZER SYSTEMS

The unit may be equipped with a factory-installed or accessory (field-installed) economizer system. Two types are available: with a logic control system (EconoMiSer IV) and without a control system (EconoMiSer2). See Fig. 62 and Fig. 63 for component locations on each type. See Fig. 64 and Fig. 65 for economizer section wiring diagrams.

Both economizers use direct-drive damper actuators.

IMPORTANT: Any economizer that meets the economizer requirements as laid out in California's Title 24 mandatory section 120.2 (fault detection and diagnostics) and/or prescriptive section 140.4 (life-cycle tests, damper leakage, 5 year warranty, sensor accuracy, etc), will have a label on the economizer. Any economizer without this label does not meet California's Title 24. The fire year limited parts warranty referred to in section 140.4 only applies to factory installed economizers. Please refer to your economizer on your unit.

48HC

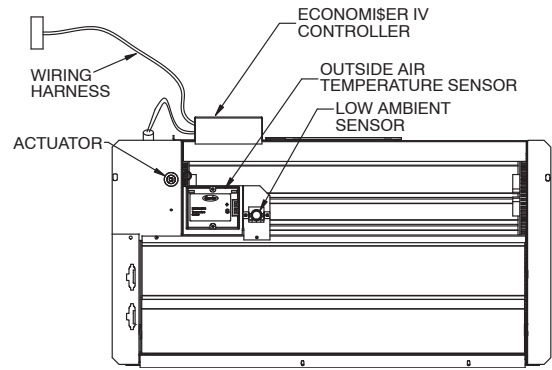


Fig. 62 - EconoMiSer IV Component Locations

C06021

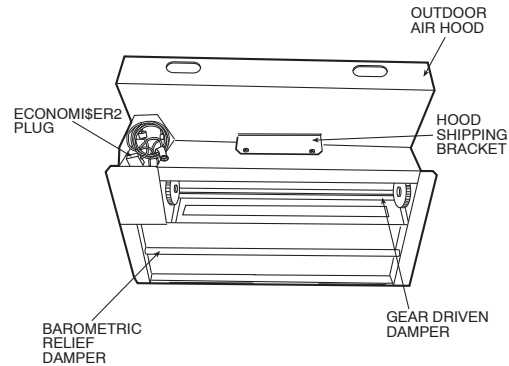


Fig. 63 - EconoMiSer2 Component Locations

C06022

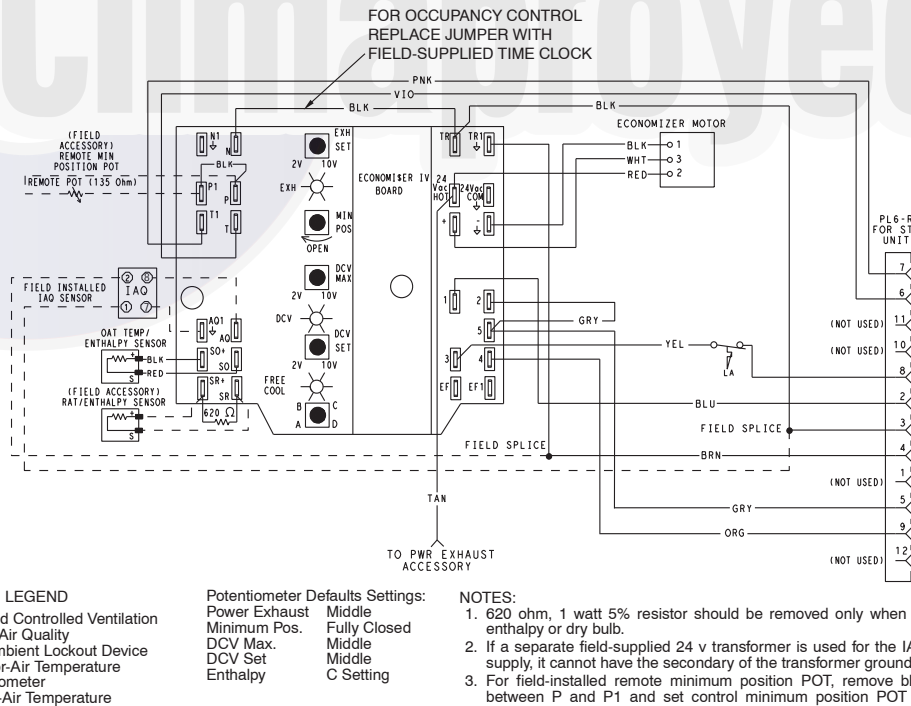
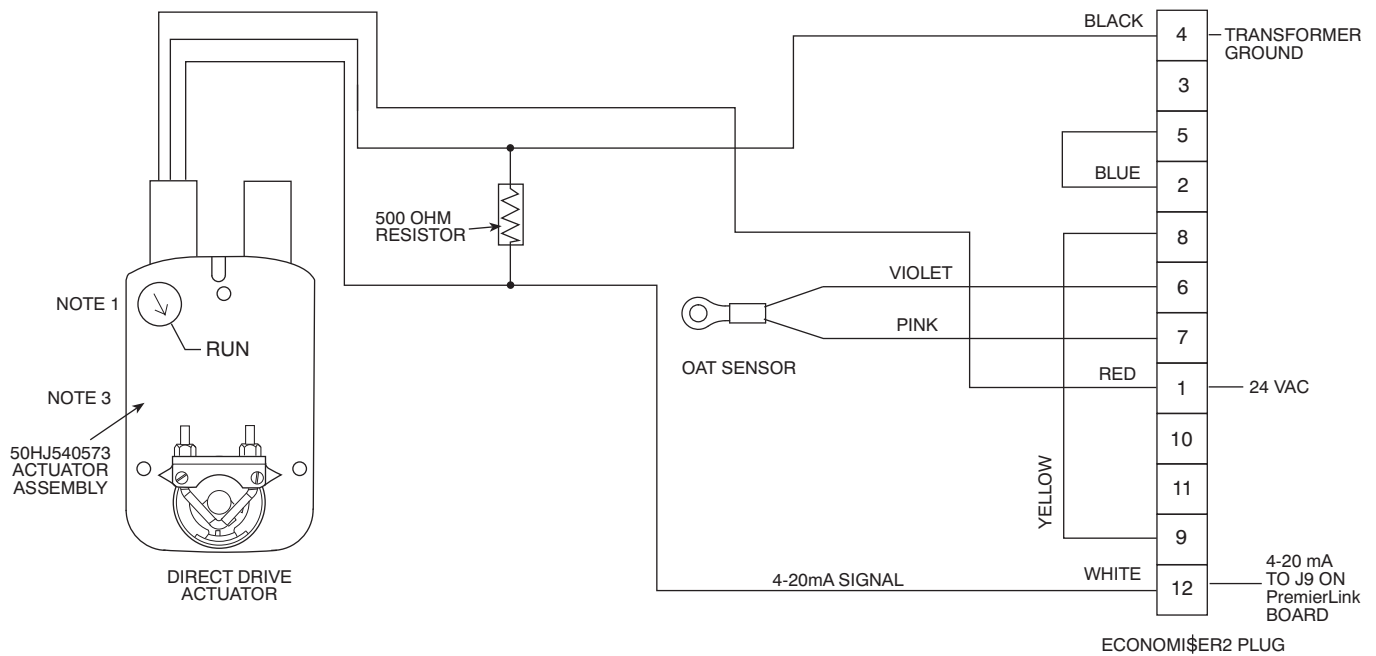


Fig. 64 - EconoMiSer IV Wiring

C06028



NOTES:

1. Switch on actuator must be in run position for economizer to operate.
2. PremierLink™ control requires that the standard 50HJ540569 outside-air sensor be replaced by either the CROASENR001A00 dry bulb sensor or HH57A077 enthalpy sensor.
3. 50HJ540573 actuator consists of the 50HJ540567 actuator and a harness with 500-ohm resistor.

C08310

Fig. 65 - EconoMi\$er2 with 4 to 20 mA Control Wiring

Table 22 – EconoMi\$er IV Input/Output Logic

Demand Control Ventilation (DCV)	INPUTS				OUTPUTS			
	Enthalpy*		Y1	Y2	Compressor		N Terminal†	
	Outdoor	Return			Stage 1	Stage 2	Occupied	Unoccupied
Below set (DCV LED Off)	High (Free Cooling LED Off)	Low	On	On	On	On	Minimum position	
			On	Off	On	Off		
			Off	Off	Off	Off		
	Low (Free Cooling LED On)	High	On	On	On	Off	Modulating** (between min. position and full-open)	
			On	Off	Off	Off		
			Off	Off	Off	Off		
Above set (DCV LED On)	High (Free Cooling LED Off)	Low	On	On	On	On	Modulating†† (between min. position and DCV maximum)	
			On	Off	On	Off		
			Off	Off	Off	Off		
	Low (Free Cooling LED On)	High	On	On	On	Off	Modulating***	
			On	Off	Off	Off		
			Off	Off	Off	Off		

* For single enthalpy control, the module compares outdoor enthalpy to the ABCD setpoint.

† Power at N terminal determines Occupied/Unoccupied setting: 24 vac (Occupied), no power (Unoccupied).

** Modulation is based on the supply-air sensor signal.

†† Modulation is based on the DCV signal.

*** Modulation is based on the greater of DCV and supply-air sensor signals, between minimum position and either maximum position (DCV) or fully open (supply-air signal).

††† Modulation is based on the greater of DCV and supply-air sensor signals, between closed and either maximum position (DCV) or fully open (supply-air signal).

48HC

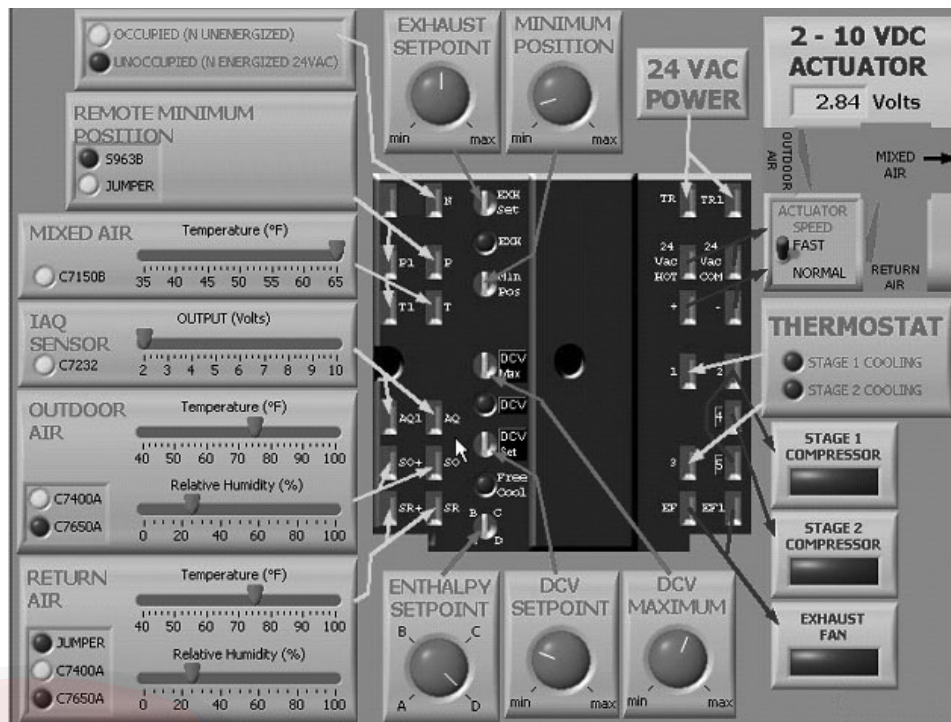


Fig. 66 - EconoMiSer IV Functional View

C06053

EconoMiSer IV Standard Sensors

Table 66 provides a summary of EconoMiSer IV. Troubleshooting instructions are enclosed. A functional view of the EconoMiSer is shown in Fig. 64. Typical settings, sensor ranges, and jumper positions are also shown. An EconoMiSer IV simulator program is available to help with EconoMiSer IV training and troubleshooting.

Outdoor Air Temperature (OAT) Sensor

The outdoor air temperature sensor (HH57AC074) is a 10 to 20 mA device used to measure the outdoor-air temperature. The outdoor-air temperature is used to determine when the EconoMiSer IV can be used for free cooling. The sensor is factory-installed on the EconoMiSer IV in the outdoor airstream. See Fig. 67. The operating range of temperature measurement is 40° to 100°F (4° to 38°C). See Fig. 69.

Supply Air Temperature (SAT) Sensor

The supply air temperature sensor is a 3 K thermistor located at the inlet of the indoor fan. See Fig. 67. This sensor is factory installed. The operating range of temperature measurement is 0° to 158°F (-18° to 70°C). See Table 67 for sensor temperature/resistance values.

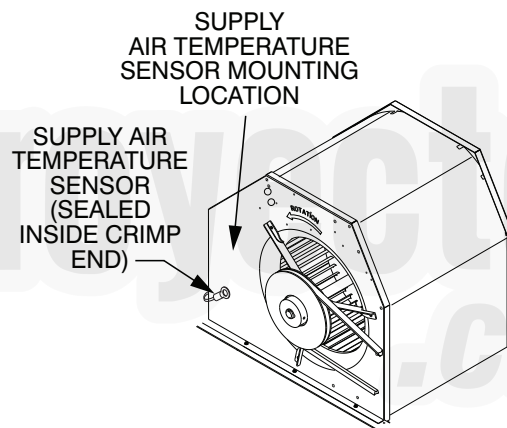


Fig. 67 - Supply Air Sensor Location

C06033

The temperature sensor looks like an eyelet terminal with wires running to it. The sensor is located in the “crimp end” and is sealed from moisture.

Outdoor Air Lockout Sensor

The EconoMiSer IV is equipped with an ambient temperature lockout switch located in the outdoor airstream which is used to lock out the compressors below a 42°F (6°C) ambient temperature. See Fig. 62.

EconoMiSer IV Control Modes

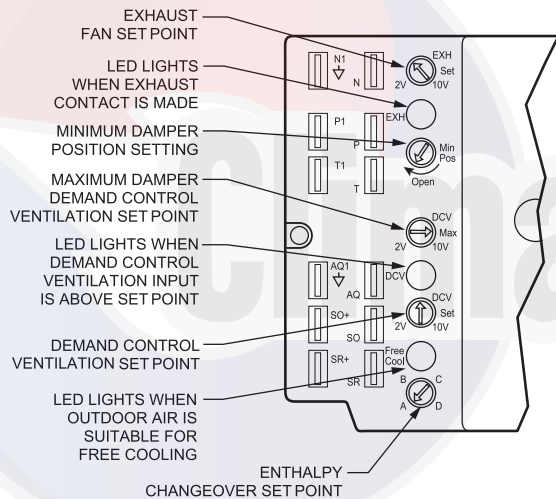
IMPORTANT: The optional EconoMiSer2 does not include a controller. The EconoMiSer2 is operated by a 4 to 20 mA signal from an existing field-supplied controller. See Fig. 63 for wiring information.

Determine the EconoMiSer IV control mode before set up of the control. Some modes of operation may require different sensors. The EconoMiSer IV is supplied from the

factory with a supply-air temperature sensor and an outdoor-air temperature sensor. This allows for operation of the EconoMi\$er IV with outdoor air dry bulb changeover control. Additional accessories can be added to allow for different types of changeover control and operation of the EconoMi\$er IV and unit.

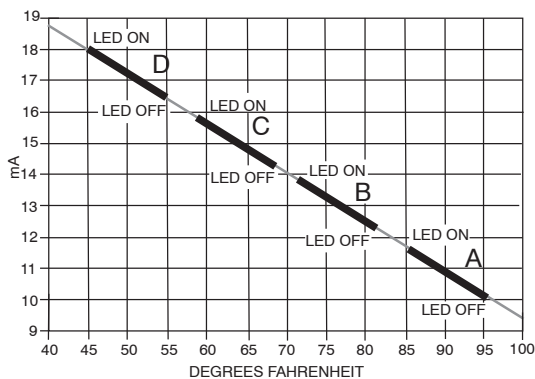
Outdoor Dry Bulb Changeover

The standard controller is shipped from the factory configured for outdoor dry bulb changeover control. The outdoor air and supply air temperature sensors are included as standard. For this control mode, the outdoor temperature is compared to an adjustable setpoint selected on the control. If the outdoor-air temperature is above the setpoint, the EconoMi\$er IV will adjust the outside air dampers to minimum position. If the outdoor-air temperature is below the setpoint, the position of the outside air dampers will be controlled to provide free cooling using outdoor air. When in this mode, the LED next to the free cooling setpoint potentiometer will be on. The changeover temperature setpoint is controlled by the free cooling setpoint potentiometer located on the control. See Fig. 68. The scale on the potentiometer is A, B, C, and D. See Fig. 71 for the corresponding temperature changeover values.



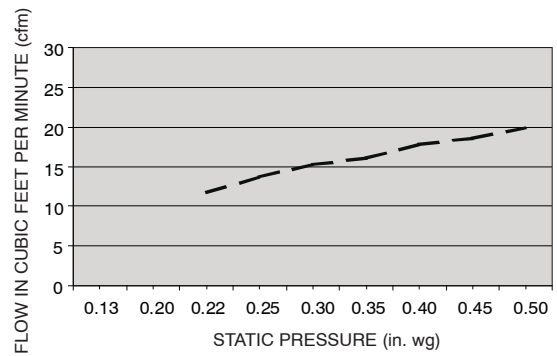
C06034

Fig. 68 - EconoMi\$er IV Controller Potentiometer and LED Locations



C06035

Fig. 69 - Outside Air Temperature Changeover Setpoints

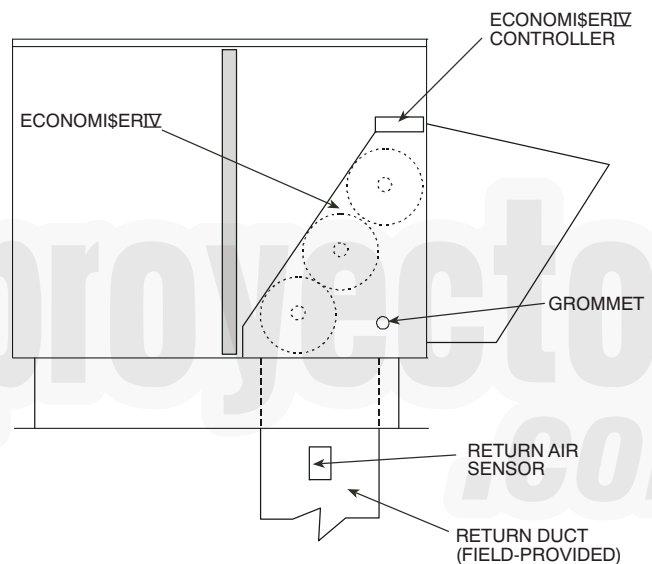


C06031

Fig. 70 - Outdoor-Air Damper Leakage

Differential Dry Bulb Control

For differential dry bulb control the standard outdoor dry bulb sensor is used in conjunction with an additional accessory dry bulb sensor (p/n: CRTEMPSN002A00). The accessory sensor must be mounted in the return airstream. See Fig. 71. Wiring is provided in the EconoMi\$er IV wiring harness.



C07085

Fig. 71 - Return Air Temperature or Enthalpy Sensor Mounting Location

In this mode of operation, the outdoor-air temperature is compared to the return-air temperature and the lower temperature airstream is used for cooling. When using this mode of changeover control, turn the enthalpy setpoint potentiometer fully clockwise to the D setting. See Fig. 68.

Outdoor Enthalpy Changeover

For enthalpy control, accessory enthalpy sensor (p/n: HH57AC078) is required. Replace the standard outdoor dry bulb temperature sensor with the accessory enthalpy sensor in the same mounting location. See Fig. 73. When the outdoor air enthalpy rises above the outdoor enthalpy changeover setpoint, the outdoor-air damper moves to its minimum position. The outdoor enthalpy changeover setpoint is set with the outdoor enthalpy setpoint potentiometer on the EconoMi\$er IV controller. The setpoints are A, B, C, and D. See Fig. 74. The factory-installed 620-ohm jumper must be in place across terminals SR and SR+ on the EconoMi\$er IV controller.

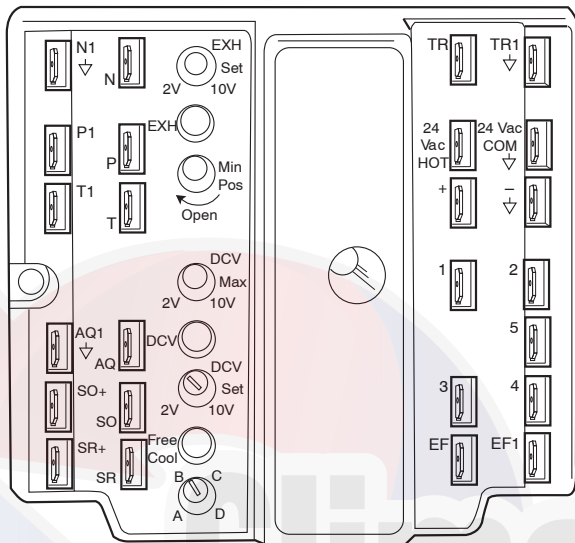


Fig. 72 - EconoMi\$er IV Control

C06038

Differential Enthalpy Control

For differential enthalpy control, the EconoMi\$er IV controller uses two enthalpy sensors (HH57AC078 and CRENTDIF004A00), one in the outside air and one in the return air duct. The EconoMi\$er IV controller compares the outdoor air enthalpy to the return air enthalpy to determine EconoMi\$er IV use. The controller selects the lower enthalpy air (return or outdoor) for cooling. For example, when the outdoor air has a lower enthalpy than the return air, the EconoMi\$er IV opens to bring in outdoor air for free cooling.

Replace the standard outside air dry bulb temperature sensor with the accessory enthalpy sensor in the same mounting location. See Fig. 63. Mount the return air enthalpy sensor in the return air duct. See Fig. 71. Wiring is provided in the EconoMi\$er IV wiring harness. See Fig. 64. The outdoor enthalpy changeover setpoint is set with the outdoor enthalpy setpoint potentiometer on the EconoMi\$er IV controller. When using this mode of changeover control, turn the enthalpy setpoint potentiometer fully clockwise to the D setting.

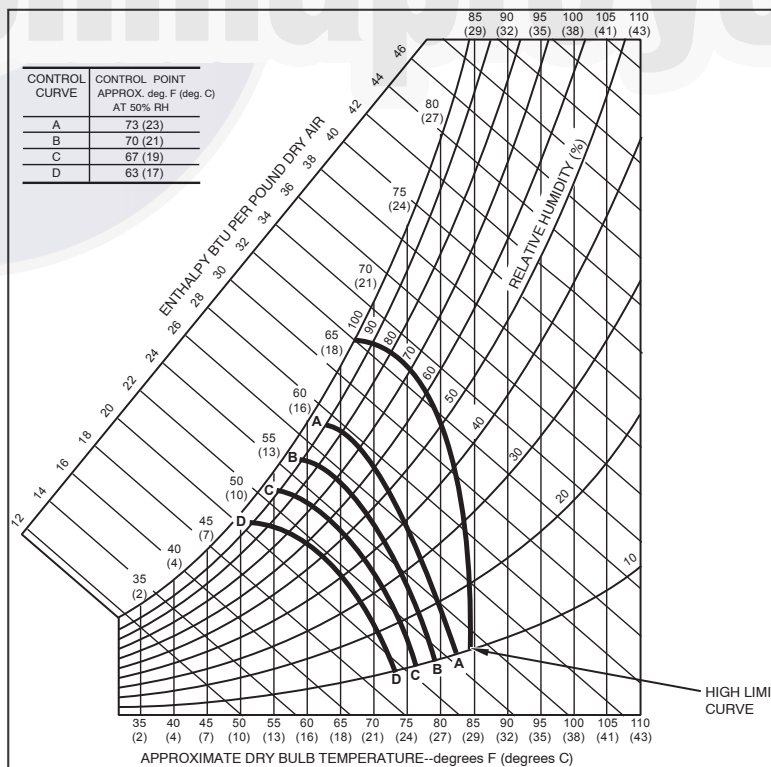


Fig. 73 - Enthalpy Changeover Setpoints

C06037

48HC

Indoor Air Quality (IAQ) Sensor Input

The IAQ input can be used for demand control ventilation control based on the level of CO₂ measured in the space or return air duct.

Mount the accessory IAQ sensor according to manufacturer specifications. The IAQ sensor should be wired to the AQ and AQ1 terminals of the controller. Adjust the DCV potentiometers to correspond to the DCV voltage output of the indoor air quality sensor at the user-determined setpoint. See Fig. 74.

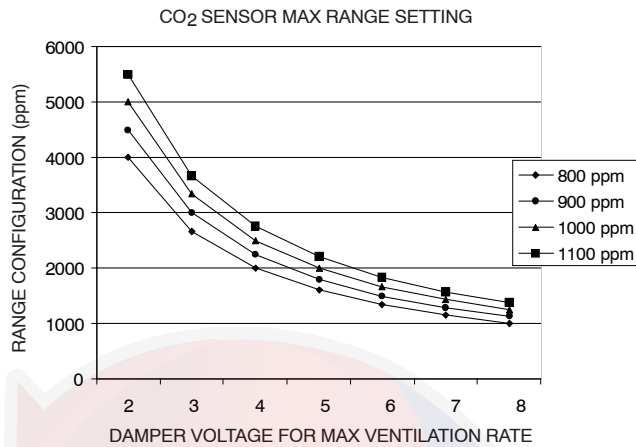


Fig. 74 - CO₂ Sensor Maximum Range Settings

If a separate field-supplied transformer is used to power the IAQ sensor, the sensor must not be grounded or the EconoMi\$er IV control board will be damaged.

When using demand ventilation, the minimum damper position represents the minimum ventilation position for VOC (volatile organic compounds) ventilation requirements. The maximum demand ventilation position is used for fully occupied ventilation.

When demand ventilation control is not being used, the minimum position potentiometer should be used to set the occupied ventilation position. The maximum demand ventilation position should be turned fully clockwise.

Exhaust Setpoint Adjustment

The exhaust setpoint will determine when the exhaust fan runs based on damper position (if accessory power exhaust is installed). The setpoint is modified with the Exhaust Fan Setpoint (EXH SET) potentiometer. See Fig. 68. The setpoint represents the damper position above which the exhaust fans will be turned on. When there is a call for exhaust, the EconoMi\$er IV controller provides a 45 ± 15 second delay before exhaust fan activation to allow the dampers to open. This delay allows the damper to reach the appropriate position to avoid unnecessary fan overload.

Minimum Position Control

There is a minimum damper position potentiometer on the EconoMi\$er IV controller. See Fig. 68. The minimum damper position maintains the minimum airflow into the building during the occupied period.

When using demand ventilation, the minimum damper position represents the minimum ventilation position for

Volatile Organic Compound (VOC) ventilation requirements. The maximum demand ventilation position is used for fully occupied ventilation.

When demand ventilation control is not being used, the minimum position potentiometer should be used to set the occupied ventilation position. The maximum demand ventilation position should be turned fully clockwise.

Adjust the minimum position potentiometer to allow the minimum amount of outdoor air, as required by local codes, to enter the building. Make minimum position adjustments with at least 10°F temperature difference between the outdoor and return-air temperatures.

To determine the minimum position setting, perform the following procedure:

1. Calculate the appropriate mixed air temperature using the following formula:

$$(T_O \times \frac{OA}{100}) + (T_R \times \frac{RA}{100}) = T_M$$

T_O = Outdoor-Air Temperature

OA = Percent of Outdoor Air

T_R = Return-Air Temperature

RA = Percent of Return Air

T_M = Mixed-Air Temperature

As an example, if local codes require 10% outdoor air during occupied conditions, outdoor-air temperature is 60°F, and return-air temperature is 75°F.

$$(60 \times .10) + (75 \times .90) = 73.5^\circ\text{F}$$

2. Disconnect the supply air sensor from terminals T and T1.
3. Ensure that the factory-installed jumper is in place across terminals P and P1. If remote damper positioning is being used, make sure that the terminals are wired according to Fig. 52 and that the minimum position potentiometer is turned fully clockwise.
4. Connect 24 vac across terminals TR and TR1.
5. Carefully adjust the minimum position potentiometer until the measured mixed air temperature matches the calculated value.
6. Reconnect the supply air sensor to terminals T and T1.

Remote control of the EconoMi\$er IV damper is desirable when requiring additional temporary ventilation. If a field-supplied remote potentiometer (Honeywell p/n: S963B1128) is wired to the EconoMi\$er IV controller, the minimum position of the damper can be controlled from a remote location.

To control the minimum damper position remotely, remove the factory-installed jumper on the P and P1 terminals on the EconoMi\$er IV controller. Wire the field-supplied potentiometer to the P and P1 terminals on the EconoMi\$er IV controller. (See Fig. 73.)

Damper Movement

Damper movement from full open to full closed (or vice versa) takes 2¹/₂ minutes.

Thermostats

The EconoMi\$er IV control works with conventional thermostats that have a Y1 (cool stage 1), Y2 (cool stage 2), W1 (heat stage 1), W2 (heat stage 2), and G (fan). The EconoMi\$er IV control does not support space temperature sensors. Connections are made at the thermostat terminal connection board located in the main control box.

Occupancy Control

The factory default configuration for the EconoMi\$er IV control is occupied mode. Occupied status is provided by the black jumper from terminal TR to terminal N. When unoccupied mode is desired, install a field-supplied timeclock function in place of the jumper between TR and N. When the timeclock contacts are closed, the EconoMi\$er IV control will be in occupied mode. When the timeclock contacts are open (removing the 24V signal from terminal N), the EconoMi\$er IV will be in unoccupied mode.

Demand Control Ventilation (DCV)

When using the EconoMi\$er IV for demand controlled ventilation, there are some equipment selection criteria which should be considered. When selecting the heat capacity and cool capacity of the equipment, the maximum ventilation rate must be evaluated for design conditions. The maximum damper position must be calculated to provide the desired fresh air.

Typically the maximum ventilation rate will be about 5 to 10% more than the typical cfm required per person, using normal outside air design criteria.

A proportional anticipatory strategy should be taken with the following conditions: a zone with a large area, varied occupancy, and equipment that cannot exceed the required ventilation rate at design conditions. Exceeding the required ventilation rate means the equipment can condition air at a maximum ventilation rate that is greater than the required ventilation rate for maximum occupancy. A proportional-anticipatory strategy will cause the fresh air supplied to increase as the room CO₂ level increases even though the CO₂ setpoint has not been reached. By the time the CO₂ level reaches the setpoint, the damper will be at maximum ventilation and should maintain the setpoint.

In order to have the CO₂ sensor control the economizer damper in this manner, first determine the damper voltage output for minimum or base ventilation. Base ventilation is the ventilation required to remove contaminants during unoccupied periods. The following equation may be used

to determine the percent of outside air entering the building for a given damper position. For best results there should be at least a 10 degree difference in outside and return-air temperatures.

$$(T_O \times \frac{OA}{100}) + (T_R \times \frac{RA}{100}) = T_M$$

T_O = Outdoor-Air Temperature

OA = Percent of Outdoor Air

T_R = Return-Air Temperature

RA = Percent of Return Air

T_M = Mixed-Air Temperature

Once base ventilation has been determined, set the minimum damper position potentiometer to the correct position.

The same equation can be used to determine the occupied or maximum ventilation rate to the building. For example, an output of 3.6 volts to the actuator provides a base ventilation rate of 5% and an output of 6.7 volts provides the maximum ventilation rate of 20% (or base plus 15 cfm per person). Use Fig. 74 to determine the maximum setting of the CO₂ sensor. For example, an 1100 ppm setpoint relates to a 15 cfm per person design. Use the 1100 ppm curve on Fig. 74 to find the point when the CO₂ sensor output will be 6.7 volts. Line up the point on the graph with the left side of the chart to determine that the range configuration for the CO₂ sensor should be 1800 ppm. The EconoMi\$er IV controller will output the 6.7 volts from the CO₂ sensor to the actuator when the CO₂ concentration in the space is at 1100 ppm. The DCV setpoint may be left at 2 volts since the CO₂ sensor voltage will be ignored by the EconoMi\$er IV controller until it rises above the 3.6 volt setting of the minimum position potentiometer.

Once the fully occupied damper position has been determined, set the maximum damper demand control ventilation potentiometer to this position. Do not set to the maximum position as this can result in over-ventilation to the space and potential high humidity levels.

CO₂ Sensor Configuration

The CO₂ sensor has preset standard voltage settings that can be selected anytime after the sensor is powered up. See Table 23.

Use setting 1 or 2 for Carrier equipment. See Table 23.

1. Press Clear and Mode buttons. Hold at least 5 seconds until the sensor enters the Edit mode.
2. Press Mode twice. The STDSET Menu will appear.

Table 23 – EconoMi\$er IV Sensor Usage

APPLICATION	ECONOMI\$ER IV WITH OUTDOOR AIR DRY BULB SENSOR		
	Accessories Required		
Outdoor Air Dry Bulb	None. The outdoor air dry bulb sensor is factory installed.		
Differential Dry Bulb	CRTEMPSN002A00*		
Single Enthalpy	HH57AC078		
Differential Enthalpy	HH57AC078 and CRENTDIF004A00*		
CO ₂ for DCV Control using a Wall-Mounted CO ₂ Sensor	33ZCSENCO2		
CO ₂ for DCV Control using a Duct-Mounted CO ₂ Sensor	33ZCSENCO2† and 33ZCASPCO2**	O R	CRCBDIOX005A00††

* CRENTDIF004A00 and CRTEMPSN002A00 accessories are used on many different base units. As such, these kits may contain parts that will not be needed for installation.

† 33ZCSENCO2 is an accessory CO₂ sensor.

** 33ZCASPCO2 is an accessory aspirator box required for duct-mounted applications.

†† CRCBDIOX005A00 is an accessory that contains both 33ZCSENCO2 and 33ZCASPCO2 accessories.

3. Use the Up/Down button to select the preset number. See Table 23.
4. Press Enter to lock in the selection.
5. Press Mode to exit and resume normal operation.

The custom settings of the CO₂ sensor can be changed anytime after the sensor is energized. Follow the steps below to change the non-standard settings:

1. Press Clear and Mode buttons. Hold at least 5 seconds until the sensor enters the Edit mode.
2. Press Mode twice. The STDSET Menu will appear.
3. Use the Up/Down button to toggle to the NONSTD menu and press Enter.
4. Use the Up/Down button to toggle through each of the nine variables, starting with Altitude, until the desired setting is reached.
5. Press Mode to move through the variables.
6. Press Enter to lock in the selection, then press Mode to continue to the next variable.

Dehumidification of Fresh Air with DCV (Demand Controlled Ventilation) Control

If normal rooftop heating and cooling operation is not adequate for the outdoor humidity level, an energy recovery unit and/or a dehumidification option should be considered.

EconoMi\$er IV Preparation

This procedure is used to prepare the EconoMi\$er IV for troubleshooting. No troubleshooting or testing is done by performing the following procedure.

NOTE: This procedure requires a 9-v battery, 1.2 kilo-ohm resistor, and a 5.6 kilo-ohm resistor which are not supplied with the EconoMi\$er IV.

IMPORTANT: Be sure to record the positions of all potentiometers before starting troubleshooting.

1. Disconnect power at TR and TR1. All LEDs should be off. Exhaust fan contacts should be open.
2. Disconnect device at P and P1.
3. Jumper P to P1.
4. Disconnect wires at T and T1. Place 5.6 kilo-ohm resistor across T and T1.
5. Jumper TR to 1.
6. Jumper TR to N.
7. If connected, remove sensor from terminals SO and +. Connect 1.2 kilo-ohm 4074EJM checkout resistor across terminals SO and +.
8. Put 620-ohm resistor across terminals SR and +.
9. Set minimum position, DCV setpoint, and exhaust potentiometers fully CCW (counterclockwise).
10. Set DCV maximum position potentiometer fully CW (clockwise).
11. Set enthalpy potentiometer to D.
12. Apply power (24 vac) to terminals TR and TR1.

Differential Enthalpy

To check differential enthalpy:

1. Make sure EconoMi\$er IV preparation procedure has been performed.
2. Place 620-ohm resistor across SO and +.
3. Place 1.2 kilo-ohm resistor across SR and +. The Free Cool LED should be lit.
4. Remove 620-ohm resistor across SO and +. The Free Cool LED should turn off.
5. Return EconoMi\$er IV settings and wiring to normal after completing troubleshooting.

Single Enthalpy

To check single enthalpy:

1. Make sure EconoMi\$er IV preparation procedure has been performed.
2. Set the enthalpy potentiometer to A (fully CCW). The Free Cool LED should be lit.
3. Set the enthalpy potentiometer to D (fully CW). The Free Cool LED should turn off.
4. Return EconoMi\$er IV settings and wiring to normal after completing troubleshooting.

DCV (Demand Controlled Ventilation) and Power Exhaust

To check DCV and Power Exhaust:

1. Make sure EconoMi\$er IV preparation procedure has been performed.
2. Ensure terminals AQ and AQ1 are open. The LED for both DCV and Exhaust should be off. The actuator should be fully closed.

48HC

3. Connect a 9-v battery to AQ (positive node) and AQ1 (negative node). The LED for both DCV and Exhaust should turn on. The actuator should drive to between 90 and 95% open.
4. Turn the Exhaust potentiometer CW until the Exhaust LED turns off. The LED should turn off when the potentiometer is approximately 90%. The actuator should remain in position.
5. Turn the DCV setpoint potentiometer CW until the DCV LED turns off. The DCV LED should turn off when the potentiometer is approximately 9-v. The actuator should drive fully closed.
6. Turn the DCV and Exhaust potentiometers CCW until the Exhaust LED turns on. The exhaust contacts will close 30 to 120 seconds after the Exhaust LED turns on.
7. Return EconoMi\$er IV settings and wiring to normal after completing troubleshooting.

DCV Minimum and Maximum Position

To check the DCV minimum and maximum position:

1. Make sure EconoMi\$er IV preparation procedure has been performed.
2. Connect a 9v battery to AQ (positive node) and AQ1 (negative node). The DCV LED should turn on. The actuator should drive to between 90 and 95% open.
3. Turn the DCV Maximum Position potentiometer to midpoint. The actuator should drive to between 20 and 80% open.
4. Turn the DCV Maximum Position potentiometer to fully CCW. The actuator should drive fully closed.
5. Turn the Minimum Position potentiometer to midpoint. The actuator should drive to between 20 and 80% open.
6. Turn the Minimum Position Potentiometer fully CW. The actuator should drive fully open.
7. Remove the jumper from TR and N. The actuator should drive fully closed.
8. Return EconoMi\$er IV settings and wiring to normal after completing troubleshooting.

Supply-Air Sensor Input

To check supply-air sensor input:

1. Make sure EconoMi\$er IV preparation procedure has been performed.
2. Set the Enthalpy potentiometer to A. The Free Cool LED turns on. The actuator should drive to between 20 and 80% open.
3. Remove the 5.6 kilo-ohm resistor and jumper T to T1. The actuator should drive fully open.
4. Remove the jumper across T and T1. The actuator should drive fully closed.
5. Return EconoMi\$er IV settings and wiring to normal after completing troubleshooting.

EconoMi\$er IV Troubleshooting Completion

This procedure is used to return the EconoMi\$er IV to operation. No troubleshooting or testing is done by performing the following procedure.

1. Disconnect power at TR and TR1.
2. Set enthalpy potentiometer to previous setting.
3. Set DCV maximum position potentiometer to previous setting.
4. Set minimum position, DCV setpoint, and exhaust potentiometers to previous settings.
5. Remove 620-ohm resistor from terminals SR and +.
6. Remove 1.2 kilo-ohm checkout resistor from terminals SO and +. If used, reconnect sensor from terminals SO and +.
7. Remove jumper from TR to N.
8. Remove jumper from TR to 1.
9. Remove 5.6 kilo-ohm resistor from T and T1. Reconnect wires at T and T1.
10. Remove jumper from P to P1. Reconnect device at P and P1.
11. Apply power (24 vac) to terminals TR and TR1.

PRE-START-UP/START-UP

WARNING

PERSONAL INJURY HAZARD

Failure to follow this warning could result in personal injury or death.

1. Follow recognized safety practices and wear approved Personal Protective Equipment (PPE), including safety glasses and gloves when checking or servicing refrigerant system.
2. Do not use a torch to remove any component. System contains oil and refrigerant under pressure. To remove a component, wear PPE and proceed as follows:
 - a. Shut off all electrical power to unit. Apply applicable Lock-out/Tagout procedures.
 - b. Recover refrigerant to relieve all pressure from system using both high-pressure and low pressure ports.
 - c. Do not use a torch. Cut component connection tubing with tubing cutter and remove component from unit.
 - d. Carefully un-sweat remaining tubing stubs when necessary. Oil can ignite when exposed to torch flame.
3. Do not operate compressor or provide any electric power to unit unless compressor terminal cover is in place and secured.
4. Do not remove compressor terminal cover until all electrical power is disconnected and approved Lock-out/Tagout procedures are in place.
5. Relieve all pressure from system before touching or disturbing anything inside terminal box whenever refrigerant leak is suspected around compressor terminals.
6. Never attempt to repair a soldered connection while refrigerant system is under pressure.

WARNING

ELECTRICAL OPERATION HAZARD

Failure to follow this warning result in personal injury or death.

The unit must be electrically grounded in accordance with local codes and NEC ANSI/NFPA 70 (American National Standards Institute/National fire Protection Association).

Proceed as follows to inspect and prepare the unit for initial start-up:

1. Remove all access panels.

2. Read and follow instructions on all WARNING, CAUTION, and INFORMATION labels attached to, or shipped with, unit.
3. Make the following inspections:
 - a. Inspect for shipping and handling damages such as broken lines, loose parts, or disconnected wires, etc.
 - b. Inspect for oil at all refrigerant tubing connections and on unit base. Detecting oil generally indicates a refrigerant leak. Leak-test all refrigerant tubing connections using electronic leak detector, halide torch, or liquid-soap solution.
 - c. Inspect all field-wiring and factory-wiring connections. Be sure that connections are completed and tight. Be sure that wires are not in contact with refrigerant tubing or sharp edges.
 - d. Inspect coil fins. If damaged during shipping and handling, carefully straighten fins with a fin comb.
4. Verify the following conditions:
 - a. Make sure that condenser-fan blade are correctly positioned in fan orifice. See Condenser-Fan Adjustment section for more details.
 - b. Make sure that air filter(s) is in place.
 - c. Make sure that condensate drain trap is filled with water to ensure proper drainage.
 - d. Make sure that all tools and miscellaneous loose parts have been removed.

START-UP, GENERAL

Unit Preparation

Make sure that unit has been installed in accordance with installation instructions and applicable codes.

IMPORTANT: Follow the base unit's start-up sequence as described in the unit's installation instructions:

In addition to the base unit start-up, there are a few steps needed to properly start-up the controls. RTU-OPEN's Service Test function should be used to assist in the base unit start-up and also allows verification of output operation. Controller configuration is also part of start-up. This is especially important when field accessories have been added to the unit. The factory pre-configures options installed at the factory. There may also be additional installation steps or inspection required during the start-up process.

Additional Installation/Inspection

Inspect the field installed accessories for proper installation, making note of which ones do or do not require configuration changes. Inspect the RTU-OPEN's Alarms for initial insight to any potential issues. Refer to the following manual: "*Controls, Start-up, Operation and Troubleshooting Instructions.*" Inspect the SAT sensor for relocation as intended during installation. Inspect special wiring as directed below.

Gas Piping

Check gas piping for leaks.

⚠ WARNING

FIRE, EXPLOSION HAZARD



Failure to follow this warning could result in death, serious personal injury and/or property damage.

Disconnect gas piping from unit when pressure testing at pressure greater than 0.5 psig. Pressures greater than 0.5 psig will cause gas valve damage resulting in hazardous condition. If gas valve is subjected to pressure greater than 0.5 psig, it *must* be replaced before use. When pressure testing field-supplied gas piping at pressures of 0.5 psig or less, a unit connected to such piping must be isolated by closing the manual gas valve(s).

⚠ WARNING

FIRE, EXPLOSION HAZARD

Failure to follow this warning could result in personal injury, death and/or property damage.

Refer to the User's Information Manual provided with this unit for more details.

Do not store or use gasoline or other flammable vapors and liquids in the vicinity of this or any other appliance.

What to do if you smell gas:

DO NOT try to light any appliance.

DO NOT touch any electrical switch, or use any phone in your building.

IMMEDIATELY call your gas supplier from a neighbor's phone. Follow the gas supplier's instructions.

If you cannot reach your gas supplier, call the fire department.

Return-Air Filters

Ensure correct filters are installed in unit (see Appendix II - Physical Data). Do not operate unit without return-air filters.

Outdoor-Air Inlet Screens

Outdoor-air inlet screen must be in place before operating unit.

Compressor Mounting

Compressors are internally spring mounted. Do not loosen or remove compressor hold down bolts.

Internal Wiring

Check all electrical connections in unit control boxes. Tighten as required.

Refrigerant Service Ports

Each unit system has two 1/4" SAE flare (with check valves) service ports: one on the suction line, and one on the compressor discharge line. Be sure that caps on the ports are tight.

Compressor Rotation

On 3-phase units with scroll compressors, it is important to be certain compressor is rotating in the proper direction. To determine whether or not compressor is rotating in the proper direction:

1. Connect service gauges to suction and discharge pressure fittings.
2. Energize the compressor.
3. The suction pressure should drop and the discharge pressure should rise, as is normal on any start-up.

If the suction pressure does not drop and the discharge pressure does not rise to normal levels:

4. Note that the evaporator fan is probably also rotating in the wrong direction.
5. Turn off power to the unit and install lockout tag.
6. Reverse any two of the unit power leads.
7. Re-energize to the compressor. Check pressures.

The suction and discharge pressure levels should now move to their normal start-up levels.

NOTE: When the compressor is rotating in the wrong direction, the unit will make an elevated level of noise and will not provide cooling.

Cooling

Set space thermostat to OFF position. To start unit, turn on main power supply. Set system selector switch at COOL position and fan switch at AUTO. position. Adjust thermostat to a setting below room temperature. Compressor starts on closure of contactor.

Check unit charge. Refer to Refrigerant Charge section.

Reset thermostat at a position above room temperature. Compressor will shut off. Evaporator fan will shut off after a 30-second delay.

To shut off unit, set system selector switch at OFF position. Resetting thermostat at a position above room temperature shuts unit off temporarily until space temperature exceeds thermostat setting.

Main Burners

Main burners are factory set and should require no adjustment.

To check ignition of main burners and heating controls, move thermostat setpoint above room temperature and verify that the burners light and evaporator fan is energized. Check heating effect, then lower the thermostat

setting below the room temperature and verify that the burners and evaporator fan turn off.

Refer to Tables 16-19 for the correct orifice to use at high altitudes.

Heating

1. Purge gas supply line of air by opening union ahead of the gas valve. If gas odor is detected, tighten union and wait 5 minutes before proceeding.
2. Turn on electrical supply and manual gas valve.
3. Set system switch selector at HEAT position and fan switch at AUTO. or ON position. Set heating temperature lever above room temperature.
4. The induced-draft motor will start.
5. After a call for heating, the main burners should light within 5 seconds. If the burner does not light, then there is a 22-second delay before another 5-second try. If the burner still does not light, the time delay is repeated. If the burner does not light within 15 minutes, there is a lockout. To reset the control, break the 24 v power to W1.
6. The evaporator-fan motor will turn on 45 seconds after burner ignition.
7. The evaporator-fan motor will turn off in 45 seconds after the thermostat temperature is satisfied.
8. Adjust airflow to obtain a temperature rise within the range specified on the unit nameplate.

NOTE: The default value for the evaporator-fan motor on/off delay is 45 seconds. The Integrated Gas Unit Controller (IGC) modifies this value when abnormal limit switch cycles occur. Based upon unit operating conditions, the on delay can be reduced to 0 seconds and the off delay can be extended to 180 seconds. When one flash of the LED is observed, the evaporator-fan on/off delay has been modified.

If the limit switch trips at the start of the heating cycle during the evaporator on delay, the time period of the on delay for the next cycle will be 5 seconds less than the time at which the switch tripped. (Example: If the limit switch trips at 30 seconds, the evaporator-fan on delay for the next cycle will occur at 25 seconds.) To prevent short-cycling, a 5-second reduction will only occur if a minimum of 10 minutes has elapsed since the last call for heating.

The evaporator-fan off delay can also be modified. Once the call for heating has ended, there is a 10-minute period during which the modification can occur. If the limit switch trips during this period, the evaporator-fan off delay will increase by 15 seconds. A maximum of 9 trips can occur, extending the evaporator-fan off delay to 180 seconds.

To restore the original default value, reset the power to the unit.

To shut off unit, set system selector switch at OFF position. Resetting heating selector lever below room temperature will temporarily shut unit off until space temperature falls below thermostat setting.

Ventilation (Continuous Fan)

Set fan and system selector switches at ON and OFF positions, respectively. Evaporator fan operates continuously to provide constant air circulation. When the evaporator-fan selector switch is turned to the OFF position, there is a 30-second delay before the fan turns off.

START-UP, PREMIERLINK CONTROLS

WARNING

ELECTRICAL OPERATION HAZARD

Failure to follow this warning could result in personal injury or death.

The unit must be electrically grounded in accordance with local codes and NEC ANSI/NFPA 70 (American National Standards Institute/National Fire Protection Association.)

Use the Carrier network communication software to start up and configure the PremierLink controller.

Changes can be made using the ComfortWORKS® software, ComfortVIEW™ software, Network Service Tool, System Pilot™ device, or Touch Pilot™ device. The System Pilot and Touch Pilot are portable interface devices that allow the user to change system set-up and setpoints from a zone sensor or terminal control module. During start-up, the Carrier software can also be used to verify communication with PremierLink controller.

NOTE: All set-up and setpoint configurations are factory set and field-adjustable.

For specific operating instructions, refer to the literature provided with user interface software.

NOTICE

SET-UP INSTRUCTIONS

All set-up and set point configurations are factory set and field-adjustable.

Refer to *PremierLink™ Installation, Start-Up and Configuration Instructions* for specific operating instructions for the controller. Have a copy of this manual available at unit start-up.

Perform System Check-Out

1. Check correctness and tightness of all power and communication connections.
2. At the unit, check fan and system controls for proper operation.
3. At the unit, check electrical system and connections of any optional electric reheat coil.

4. Check to be sure the area around the unit is clear of construction dirt and debris.
5. Check that final filters are installed in the unit. Dust and debris can adversely affect system operation.
6. Verify that the PremierLink controls are properly connected to the CCN bus.

START-UP, RTU-OPEN CONTROLS

NOTICE

SET-UP INSTRUCTIONS

Refer to the following manuals for additional installation, wiring and troubleshooting information for the RTU-OPEN Controller.: *“Controls, Start-up, Operation and Troubleshooting Instructions,” “RTU Open Installation and Start-up Guide”* and *“RTU-Open Integration Guide”*. Have a copy of these manuals available at unit start-up.

FASTENER TORQUE VALUES

Table 24 – Torque Values

Supply fan motor mounting	120 in-lbs (13.6 Nm) ± 12 in-lbs (1.4Nm)
Supply fan motor adjustment plate	120 in-lbs (13.6 Nm) ± 12 in-lbs (1.4Nm)
Motor pulley setscrew	72 in-lbs (8.1 Nm) ± 5 in-lbs (0.6 Nm)
Fan pulley setscrew	72 in-lbs (8.1 Nm) ± 5 in-lbs (0.6 Nm)
Blower wheel hub setscrew	72 in-lbs (8.1 Nm) ± 5 in-lbs (0.6 Nm)
Bearing locking collar setscrew	50 in-lbs (6.2 Nm) – 60 in-lbs (6.8 Nm)
Compressor mounting bolts	65 in-lbs (7.3 Nm) – 75 in-lbs (8.5Nm)
Condenser fan motor mounting bolts	20 in-lbs (2.3 Nm) ± 2 in-lbs 0.2 Nm)
Condenser fan hub setscrew	84 in-lbs (9.5 Nm) ± 12 in-lbs (1.4 Nm)

APPENDIX I. MODEL NUMBER NOMENCLATURE

1 2 3 4 5 6 7 8 9 10 11 12 13 14 15 16 17 18
 4 8 H C D A 0 4 A 1 A 5 - 0 A 0 A 0

Unit Heat Type

48 Gas Heat
 Packaged
 Rooftop

Series/Model

HC Standard Efficiency

Heat Size

D - Low Heat
 E - Medium Heat
 F - High Heat
 L - Low NOx, Low Heat
 M - Low NOx, Medium Heat
 N - Low NOx, High Heat
 S - Stainless Steel, Low Heat
 R - Stainless Steel, Medium Heat
 T - Stainless Steel, High Heat

(Low NOx models include - Stainless Steel HX)

Refrigeration Systems Options

A - Standard One-Stage Cooling Models
 B - Standard One-Stage Cooling Models with Humidi-MiZer (04 - 07 Models only)
 D - Two-Stage Cooling Models, 08-16
 E - Two-Stage Cooling Models, 08-16 with Al/Cu Condenser Coils and Humidi-MiZer

Cooling Tons

04 - 3 Ton	08 - 7.5 Ton
05 - 4 Ton	09 - 8.5 Ton
06 - 5 Ton	12 - 12.5 Ton
07 - 6 Ton	14 - 12.5 Ton

Sensor Options

A = None
 B = RA Smoke Detector
 C = SA Smoke Detector
 D = RA + SA Smoke Detector
 E = CO₂ Sensor
 F = RA Smoke Detector and CO₂ Sensor
 G = SA Smoke Detector and CO₂ Sensor
 H = RA + SA Smoke Detector and CO₂ Sensor

Indoor Fan Options 3,4, 5 Ton Models Only*

0 = Electric (Direct) Drive X13 Motor
 2 = Medium Static Option - Belt Drive
 3 = High Static Option - Belt Drive

Indoor Fan Options 6 - 12.5 Ton Models Only*

1 = Standard Static Option - Belt Drive
 2 = Medium Static Option - Belt Drive
 3 = High Static Option - Belt Drive
 C = High Static option w/High Efficiency Motor - Belt Drive (Size 14 only)

*See price page details for specific Humidi-MiZer models.

Note: On single phase (-1 voltage code) models, the following are NOT available as a factory installed option (FIOP):

- Humidi-MiZer
- Coated Coils or Cu Fin Coils
- Louvered Hail Guards
- Economizer or 2 Position Damper
- Powered 115 VAC Convenience Outlet

Packaging and Seismic Compliant

0 = Standard
 1 = LTL
 3 = CA Seismic Compliant
 4 = LTL and CA Seismic Compliant Label

Electrical Options

A = None
 C = Non-Fused Disconnect
 D = Thru-the-Base Connections
 F = Non-Fused Disconnect and Thru-the-Base Connections
 G = 2-Speed Indoor Fan (VFD) Controller
 J = 2-Speed Fan Controller (VFD) and Non-Fused Disconnect
 K = 2-Speed Fan Controller (VFD) and Thru-the-Base Connections
 M = 2-Speed Fan Controller (VFD) with Non-Fused Disconnect and Thru-the-Base Connections

Service Options

0 = None
 1 = Unpowered Convenience Outlet
 2 = Powered Convenience Outlet
 3 = Hinged Panels
 4 = Hinged Panels, Unpowered Convenience Outlet
 5 = Hinged Panels, Powered Convenience Outlet

Intake / Exhaust Options

A = None
 B = Temperature Economizer w/ Barometric Relief
 F = Enthalpy Economizer w/ Barometric Relief
 K = 2 - Position Damper
 U = Temp Ultra Low Leak Economizer with Barometric Relief
 W = Enthalpy Ultra Low Leak Economizer with Barometric Relief

Base Unit Controls

0 = Base Electromechanical Controls
 1 = PremierLink Controller
 2 = RTU-Open Multi-Protocol Controller
 6 = Electromechanical w/ 2-Speed Fan and W7220 Econo Controller

Design Revision

- = Factory Assigned

Voltage

1 = 575/3/60	5 = 208-230/3/60
3 = 208-230/1/60	6 = 460/3/60

Coil Options for Round Tube/Plate Fin Condenser Coil Models Only (outdoor-indoor-hailguard)

A = Al/Cu - Al/Cu
 B = Precoat Al/Cu - Al/Cu
 C = E-Coat Al/Cu - Al/Cu
 D = E-Coat Al/Cu - E-Coat Al/Cu
 E = Cu/Cu - Al/Cu
 F = Cu/Cu - Cu/Cu
 M = Al/Cu - Al/Cu - Louvered Hail Guards
 N = Precoat Al/Cu - Al/Cu - Louvered Hail Guards
 P = E-Coat Al/Cu - Al/Cu - Louvered Hail Guards
 Q = E-Coat Al/Cu - E-Coat Al/Cu - Louvered Hail Guards
 R = Cu/Cu - Al/Cu - Louvered Hail Guards
 S = Cu/Cu - Cu/Cu - Louvered Hail Guards

Coil Options for All Aluminum - Novation Condenser Coil Models Only (outdoor-indoor-hailguard)

G = Al/Al - Al/Cu
 H = Al/Al - Cu/Cu
 J = Al/Al - E-Coat Al/Cu
 K = E-Coat Al/Al - Al/Cu - Al/Cu
 L = E-Coat Al/Al - E-Coat Al/Cu
 T = Al/Al - Al/Cu - Louvered Hail Guards
 U = Al/Al - Cu/Cu - Louvered Hail Guards
 V = Al/Al - E-Coat Al/Cu - Louvered Hail Guards
 W = E-Coat Al/Al - Al/Cu - Louvered Hail Guards
 X = E-Coat Al/Al - E-Coat Al/Cu - Louvered Hail Guards

48HC

Fig. 75 - Model Number Nomenclature

C12096

APPENDIX II. PHYSICAL DATA

Table 25 – PHYSICAL DATA

(COOLING)

3 - 4 TONS

	48HC*A04	48HC*B04	48HC*A05	48HC*B05
Refrigeration System				
# Circuits / # Comp. / Type	1 / 1 / Scroll	1 / 1 / Scroll	1 / 1 / Scroll	1 / 1 / Scroll
R-410a charge A/B (lbs – oz)	9 – 0		12 – 8	
Humidimizer R-410a charge A/B (lbs – oz)		11 – 0		19 – 12
oil A/B (oz)	25	25	42	42
Metering device	TXV	TXV	TXV	TXV
Humidimizer Metering device	none	none	none	none
High–press. Trip / Reset (psig)	630 / 505	630 / 505	630 / 505	630 / 505
Low–press. Trip / Reset (psig)	54 / 117	N/A	54 / 117	N/A
Loss of charge Trip / Reset (psig)	N/A	27 / 44	N/A	27 / 44
Evap. Coil				
Material	Cu / Al	Cu / Al	Cu / Al	Cu / Al
Coil type	3/8" RTPF	3/8" RTPF	3/8" RTPF	3/8" RTPF
Rows / FPI	3 / 15	3 / 15	3 / 15	3 / 15
total face area (ft ²)	5.5	5.5	7.3	7.3
Condensate drain conn. size	3/4"	3/4"	3/4"	3/4"
Humidizer Coil				
Material	N/A	Cu / Al	N/A	Cu / Al
Coil type	N/A	3/8" RTPF	N/A	3/8" RTPF
Rows / FPI	N/A	1 / 17	N/A	2 / 17
total face area (ft ²)	N/A	3.9	N/A	5.2
Evap. fan and motor				
Motor Qty / Drive type	1 / Direct	1 / Belt	1 / Direct	1 / Belt
Max BHP	1	1.2	1	1.2
RPM range	600–1200	560–854	600–1200	560–854
motor frame size	48	48	48	48
Fan Qty / Type	1 / Centrifugal	1 / Centrifugal	1 / Centrifugal	1 / Centrifugal
Fan Diameter (in)	10 x 10	10 x 10	10 x 10	10 x 10
Motor Qty / Drive type	N/A	1 / Belt	N/A	1 / Belt
Max BHP	N/A	1.2	N/A	1.2
RPM range	N/A	770–1175	N/A	770–1175
motor frame size	N/A	48	N/A	48
Fan Qty / Type	N/A	1 / Centrifugal	N/A	1 / Centrifugal
Fan Diameter (in)	N/A	10 x 10	N/A	10 x 10
Motor Qty / Drive type	1 / Direct	1 / Belt	1 / Direct	1 / Belt
Max BHP	1	1.7	1	1.7
RPM range	600–1200	560–854	600–1200	560–854
motor frame size	48	48	48	48
Fan Qty / Type	1 / Centrifugal	1 / Centrifugal	1 / Centrifugal	1 / Centrifugal
Fan Diameter (in)	10 x 10	10 x 10	10 x 10	10 x 10
Motor Qty / Drive type	1 / Belt	1 / Belt	1 / Belt	1 / Belt
Max BHP	1.7	1.7	1.7	1.7
RPM range	770–1175	770–1175	920–1303	770–1175
motor frame size	48	48	56	48
Fan Qty / Type	1 / Centrifugal	1 / Centrifugal	1 / Centrifugal	1 / Centrifugal
Fan Diameter (in)	10 x 10	10 x 10	10 x 10	10 x 10
Motor Qty / Drive type	1 / Belt	1 / Belt	1 / Belt	1 / Belt
Max BHP	2.4	2.4	2.9	2.9
RPM range	1035–1466	1035–1466	1208–1639	1208–1639
motor frame size	56	56	56	56
Fan Qty / Type	1 / Centrifugal	1 / Centrifugal	1 / Centrifugal	1 / Centrifugal
Fan Diameter (in)	10 x 10	10 x 10	10 x 10	10 x 10
Cond. Coil				
Material	Cu / Al	Cu / Al	Cu / Al	Cu / Al
Coil type	3/8" RTPF	3/8" RTPF	3/8" RTPF	3/8" RTPF
Rows / FPI	2 / 17	2 / 17	2 / 17	2 / 17
total face area (ft ²)	12.7	12.7	21.3	21.3
Cond. fan / motor				
Qty / Motor drive type	1 / direct	1 / direct	1 / direct	1 / direct
Motor HP / RPM	1/8 / 825	1/8 / 825	1/4 / 1100	1/4 / 1100
Fan diameter (in)	22	22	22	22
Filters				
RA Filter # / size (in)	2 / 16 x 25 x 2	2 / 16 x 25 x 2	4 / 16 x 16 x 2	4 / 16 x 16 x 2
OA inlet screen # / size (in)	1 / 20 x 24 x 1	1 / 20 x 24 x 1	1 / 20 x 24 x 1	1 / 20 x 24 x 1

– Not Applicable

48HC

APPENDIX II. PHYSICAL DATA (CONT'D)

Table 23 (cont.) - PHYSICAL DATA

(COOLING)

5 - 6 TONS

	48HC*A06	48HC*B06	48HC*A07	48HC*B07
Refrigeration System				
# Circuits / # Comp. / Type	1 / 1 / Scroll	1 / 1 / Scroll	1 / 1 / Scroll	1 / 1 / Scroll
R-410a charge A/B (lbs - oz)	13 - 3		14 - 0	
Humidimizer R-410a charge A/B (lbs - oz)		20 - 0		22 - 8
oil A/B (oz)	42	42	56	56
Metering device	TXV	TXV	TXV	TXV
Humidimizer Metering device	none	none	none	none
High - press. Trip / Reset (psig)	630 / 505	630 / 505	630 / 505	630 / 505
Low - press. Trip / Reset (psig)	54 / 117	N/A	54 / 117	N/A
Loss of charge Trip / Reset (psig)	N/A	27 / 44	N/A	27 / 44
Evap. Coil				
Material	Cu / Al	Cu / Al	Cu / Al	Cu / Al
Coil type	3/8" RTPF	3/8" RTPF	3/8" RTPF	3/8" RTPF
Rows / FPI	4 / 15	4 / 15	3 / 15	3 / 15
total face area (ft ²)	7.3	7.3	8.9	8.9
Condensate drain conn. size	3/4"	3/4"	3/4"	3/4"
Humidizer Coil				
Material	N/A	Cu / Al	N/A	Cu / Al
Coil type	N/A	3/8" RTPF	N/A	3/8" RTPF
Rows / FPI	N/A	2 / 17	N/A	2 / 17
total face area (ft ²)	N/A	5.2	N/A	5.2
Evap. fan and motor				
Motor Qty / Drive type	1 / Direct	1 / Belt	n/a / Belt	n/a / Belt
Max BHP	1	1.2	#N/A	#N/A
RPM range	600-1200	770-1175	#N/A	#N/A
motor frame size	48	48	#N/A	#N/A
Fan Qty / Type	1 / Centrifugal	1 / Centrifugal	n/a / Centrifugal	n/a / Centrifugal
Fan Diameter (in)	10 x 10	10 x 10	#N/A	#N/A
Motor Qty / Drive type	N/A	1 / Belt	n/a / Belt	n/a / Belt
Max BHP	N/A	1.5	#N/A	#N/A
RPM range	N/A	1035-1466	#N/A	#N/A
motor frame size	N/A	56	#N/A	#N/A
Fan Qty / Type	N/A	1 / Centrifugal	n/a / Centrifugal	n/a / Centrifugal
Fan Diameter (in)	N/A	10 x 10	#N/A	#N/A
Motor Qty / Drive type	1 / Direct	1 / Belt	1 / Belt	1 / Belt
Max BHP	1	1.7	1.7	1.7
RPM range	600-1200	770-1175	489-747	489-747
motor frame size	48	48	56	56
Fan Qty / Type	1 / Centrifugal	1 / Centrifugal	1 / Centrifugal	1 / Centrifugal
Fan Diameter (in)	11 x 10	10 x 10	15 x 15	15 x 15
Motor Qty / Drive type	1 / Belt	1 / Belt	1 / Belt	1 / Belt
Max BHP	2.4	2.4	2.9	2.9
RPM range	1035-1466	1035-1466	733-949	733-949
motor frame size	56	56	56	56
Fan Qty / Type	1 / Centrifugal	1 / Centrifugal	1 / Centrifugal	1 / Centrifugal
Fan Diameter (in)	10 x 10	10 x 10	15 x 15	15 x 15
Motor Qty / Drive type	1 / Belt	1 / Belt	1 / Belt	1 / Belt
Max BHP	2.9	2.9	4.7	4.7
RPM range	1303-1687	1303-1687	909-1102	909-1102
motor frame size	56	56	14	14
Fan Qty / Type	1 / Centrifugal	1 / Centrifugal	1 / Centrifugal	1 / Centrifugal
Fan Diameter (in)	10 x 10	10 x 10	15 x 15	15 x 15
Cond. Coil				
Material	Cu / Al	Cu / Al	Cu / Al	Cu / Al
Coil type	3/8" RTPF	3/8" RTPF	3/8" RTPF	3/8" RTPF
Rows / FPI	2 / 17	2 / 17	2 / 17	2 / 17
total face area (ft ²)	21.3	21.3	20.5	20.5
Cond. fan / motor				
Qty / Motor drive type	1 / direct	1 / direct	2 / direct	2 / direct
Motor HP / RPM	1/4 / 1100	1/4 / 1100	1/4 / 1100	1/4 / 1100
Fan diameter (in)	22	22	22	22
Filters				
RA Filter # / size (in)	4 / 16 x 16 x 2	4 / 16 x 16 x 2	4 / 16 x 20 x 2	4 / 16 x 20 x 2
OA inlet screen # / size (in)	1 / 20 x 24 x 1	1 / 20 x 24 x 1	1 / 20 x 36 x 1	1 / 20 x 36 x 1

48HC

- Not Applicable

APPENDIX II. PHYSICAL DATA (cont.)

Table 45 (cont.) - PHYSICAL DATA

(COOLING)

7-1/2 - 8-1/2 TONS

	48HC*D08	48HC*E08	48HC*D09	48HC*E09
Refrigeration System				
# Circuits / # Comp. / Type	2 / 2 / Scroll	2 / 2 / Scroll	2 / 2 / Scroll	2 / 2 / Scroll
RTPF models R-410a charge A/B (lbs - oz)	9 - 10 / 9 - 10		9 - 14 / 9 - 14	
Alternate (MCHX) R-410a charge A/B (lbs - oz)				
Alternate (Humidimizer) R-410a charge A/B (lbs - oz)		13 - 3 / 13 - 3		16 - 13 / 16 - 13
oil A/B (oz)	42 / 42	42 / 42	42 / 42	42 / 42
Metering device	TXV	TXV	TXV	TXV
Alternate (Humidimizer) Metering device	none	none	none	none
High - press. Trip / Reset (psig)	630 / 505	630 / 505	630 / 505	630 / 505
Low - press. Trip / Reset (psig)	54 / 117	N/A	54 / 117	N/A
Loss of charge Trip / Reset (psig)	N/A	27 / 44	N/A	27 / 44
Evap. Coil				
Material	Cu / Al	Cu / Al	Cu / Al	Cu / Al
Coil type	3/8" RTPF	3/8" RTPF	3/8" RTPF	3/8" RTPF
Rows / FPI	4 / 15	4 / 15	4 / 15	4 / 15
total face area (ft ²)	11.1	11.1	11.1	11.1
Condensate drain conn. size	3/4"	3/4"	3/4"	3/4"
Humidifier Coil				
Material		Cu / Al		Cu / Al
Coil type		3/8" RTPF		3/8" RTPF
Rows / FPI		2 / 17		2 / 17
total face area (ft ²)		6.3		8.4
Evap. fan and motor				
Motor Qty / Drive type	1 / Belt	1 / Belt	1 / Belt	1 / Belt
Max BHP	1.7	1.7	1.7	1.7
RPM range	518-733	518-733	518-733	518-733
motor frame size	56	56	56	56
Fan Qty / Type	1 / Centrifugal	1 / Centrifugal	1 / Centrifugal	1 / Centrifugal
Fan Diameter (in)	15 x 15	15 x 15	15 x 15	15 x 15
Motor Qty / Drive type	1 / Belt	1 / Belt	1 / Belt	1 / Belt
Max BHP	2.4	2.4	2.4	2.4
RPM range	690-936	690-936	690-936	690-936
motor frame size	56	56	56	56
Fan Qty / Type	1 / Centrifugal	1 / Centrifugal	1 / Centrifugal	1 / Centrifugal
Fan Diameter (in)	15 x 15	15 x 15	15 x 15	15 x 15
Motor Qty / Drive type	1 / Belt	1 / Belt	1 / Belt	1 / Belt
Max BHP	3.7	3.7	3.7	3.7
RPM range	838-1084	838-1084	838-1084	838-1084
motor frame size	56	56	56	56
Fan Qty / Type	1 / Centrifugal	1 / Centrifugal	1 / Centrifugal	1 / Centrifugal
Fan Diameter (in)	15 x 15	15 x 15	15 x 15	15 x 15
Motor Qty / Drive type	n/a	n/a	n/a	n/a
Max BHP (208/230/460/575v)	n/a	n/a	n/a	n/a
RPM range	n/a	n/a	n/a	n/a
motor frame size	n/a	n/a	n/a	n/a
Fan Qty / Type	n/a	n/a	n/a	n/a
Fan Diameter (in)	n/a	n/a	n/a	n/a
Cond. Coil				
Material	Cu / Al	Cu / Al	Cu / Al	Cu / Al
Coil type	3/8" RTPF	3/8" RTPF	3/8" RTPF	3/8" RTPF
Rows / FPI	2 / 17	2 / 17	2 / 17	2 / 17
total face area (ft ²)	25.1	25.1	25.1	25.1
Cond. fan / motor				
Qty / Motor drive type	2 / direct	2 / direct	2 / direct	2 / direct
Motor HP / RPM	1/4 / 1100	1/4 / 1100	1/4 / 1100	1/4 / 1100
Fan diameter (in)	22	22	22	22
Filters				
RA Filter # / size (in)	4 / 20 x 20 x 2	4 / 20 x 20 x 2	4 / 20 x 20 x 2	4 / 20 x 20 x 2
OA inlet screen # / size (in)	1 / 20 x 24 x 1	1 / 20 x 24 x 1	1 / 20 x 24 x 1	1 / 20 x 24 x 1

- Not Applicable

48HC

APPENDIX II. PHYSICAL DATA (cont.)

Table 26 – PHYSICAL DATA

(COOLING)

10 TONS

	48HC*D11	48HC*E11	48HC*D12	48HC*E12
Refrigeration System				
# Circuits / # Comp. / Type	2/2/Scroll	2 / 2 / Scroll	2 / 2 / Scroll	2 / 2 / Scroll
RTPF models R-410a charge A/B (lbs – oz)	12-10/ 13-0	18-0/18-0	12 – 11/12 – 5	
Alternate (MCHX) R-410a charge A/B (lbs – oz)				
Alternate (Humidimizer) R-410a charge A/B (lbs – oz)				18 – 3 / 17 – 3
oil A/B (oz)	42 / 42	42 / 42	42 / 42	42 / 42
Metering device	TXV	TXV	TXV	TXV
Alternate (Humidimizer) Metering device	none	none	none	none
High – press. Trip / Reset (psig)	630 / 505	630 / 505	630 / 505	630 / 505
Low – press. Trip / Reset (psig)	27/44	N/A	54 / 117	N/A
Loss of charge Trip / Reset (psig)	N/A	27 / 44	N/A	27 / 44
Evap. Coil				
Material	Cu / Al	Cu / Al	Cu / Al	Cu / Al
Coil type	3/8" RTPF	3/8" RTPF	3/8" RTPF	3/8" RTPF
Rows / FPI	4 / 15	4 / 15	4 / 15	4 / 15
total face area (ft ²)	11.1	11.1	11.1	11.1
Condensate drain conn. size	3/4"	3/4"	3/4"	3/4"
Humidizer Coil				
Material		Cu/Al		Cu/Al
Coil type		3/8" RTPF		3/8" RTPF
Rows / FPI		2/17		2/17
total face area (ft ²)		8.6		8.6
Evap. fan and motor				
Motor Qty / Drive type	1 / Belt	1 / Belt	1 / Belt	1 / Belt
Max BHP	2.4	2.4	2.4	2.4
RPM range	591 – 838	591 – 838	591 – 838	591 – 838
motor frame size	56	56	56	56
Fan Qty / Type	1 / Centrifugal	1 / Centrifugal	1 / Centrifugal	1 / Centrifugal
Fan Diameter (in)	15 x 15	15 x 15	15 x 15	15 x 15
Standard Static 3 phase				
Motor Qty / Drive type	1 / Belt	1 / Belt	1 / Belt	1 / Belt
Max BHP	3.7	3.7	3.7	3.7
RPM range	838 – 1084	838 – 1084	838 – 1084	838 – 1084
motor frame size	56HZ	56HZ	56HZ	56HZ
Fan Qty / Type	1 / Centrifugal	1 / Centrifugal	1 / Centrifugal	1 / Centrifugal
Fan Diameter (in)	15 x 15	15 x 15	15 x 15	15 x 15
Medium Static 3 phase				
Motor Qty / Drive type	1 / Belt	1 / Belt	1 / Belt	1 / Belt
Max BHP	4.9	4.9	4.9	4.9
RPM range	1022 – 1240	1022 – 1240	1022 – 1240	1022 – 1240
motor frame size	145TY	145TY	145TY	145TY
Fan Qty / Type	1 / Centrifugal	1 / Centrifugal	1 / Centrifugal	1 / Centrifugal
Fan Diameter (in)	15 x 15	15 x 15	15 x 15	15 x 15
High Static 3 phase				
Motor Qty / Drive type	n/a	n/a	n/a	n/a
Max BHP (208/230/460/575v)	n/a	n/a	n/a	n/a
RPM range	n/a	n/a	n/a	n/a
motor frame size	n/a	n/a	n/a	n/a
Fan Qty / Type	n/a	n/a	n/a	n/a
Fan Diameter (in)	n/a	n/a	n/a	n/a
High Static – High Efficiency 3 phase				
Cond. Coil				
Material	Cu / Al	Cu / Al	Cu / Al	Cu / Al
Coil type	3/8" RTPF	3/8" RTPF	3/8" RTPF	3/8" RTPF
Rows / FPI	3 / 17	3 / 17	3 / 17	3 / 17
total face area (ft ²)	25.1	25.1	25.1	25.1
Cond. fan / motor				
Qty / Motor drive type	1/direct – ECM	1 / direct	1 / direct	1 / direct
Motor HP / RPM	1/1050	1 / 1175	1 / 1175	1 / 1175
Fan diameter (in)	30	30	30	30
Filters				
RA Filter # / size (in)	4 / 20 x 20 x 2	4 / 20 x 20 x 2	4 / 20 x 20 x 2	4 / 20 x 20 x 2
OA inlet screen # / size (in)	1 / 20 x 24 x 1	1 / 20 x 24 x 1	1 / 20 x 24 x 1	1 / 20 x 24 x 1

48HC

– Not Applicable

APPENDIX II. PHYSICAL DATA (cont.)

Table 46 (cont.) - PHYSICAL DATA

(COOLING)

12.5 TONS

	48HC*D14	48HC*E14
Refrigeration System		
# Circuits / # Comp. / Type	2 / 2 / Scroll	2 / 2 / Scroll
RTPF models R-410a charge A/B (lbs - oz)	16-7 / 15-5	
Alternate (MCHX) R-410a charge A/B (lbs - oz)		25-8 / 22-8
Alternate (Humidimizer) R-410a charge A/B (lbs - oz)		
oil A/B (oz)	56/56	56/56
Metering device	TXV	TXV
Alternate (Humidimizer) Metering device	none	none
High-press. Trip / Reset (psig)	630 / 505	630 / 505
Low-press. Trip / Reset (psig)	54 / 117	N/A
Loss of charge Trip / Reset (psig)	N/A	27 / 44
Evap. Coil		
Material	Cu / Al	Cu / Al
Coil type	3/8" RTPF	3/8" RTPF
Rows / FPI	4 / 15	4 / 15
total face area (ft ²)	17.5	17.5
Condensate drain conn. size	3/4"	3/4"
Humidifier Coil		
Material		Cu / Al
Coil type		3/8" RTPF
Rows / FPI		1 / 17
total face area (ft ²)		13.8
Evap. fan and motor		
Motor Qty / Drive type	1 / Belt	1 / Belt
Max BHP	2.9	2.9
RTPM range	440-609	440-609
motor frame size	56Y	56Y
Fan Qty / Type	1 / Centrifugal	1 / Centrifugal
Fan Diameter (in)	18 x 18	18 x 18
Standard Static 3 phase		
Motor Qty / Drive type	1 / Belt	1 / Belt
Max BHP	3.7	3.7
RTPM range	609-778	609-778
motor frame size	56HZ	56HZ
Fan Qty / Type	1 / Centrifugal	1 / Centrifugal
Fan Diameter (in)	18 x 18	18 x 18
Medium Static 3 phase		
Motor Qty / Drive type	1 / Belt	1 / Belt
Max BHP	6.1	6.1
RTPM range	776-955	776-955
motor frame size	S184T	S184T
Fan Qty / Type	1 / Centrifugal	1 / Centrifugal
Fan Diameter (in)	18 x 18	18 x 18
High Static 3 phase		
Motor Qty / Drive type	1 / Belt	1 / Belt
Max BHP (208/230/460/575v)	6.5 / 6.9 / 7.0 / 8.3	6.5 / 6.9 / 7.0 / 8.3
RTPM range	776-955	776-955
motor frame size	S184T	S184T
Fan Qty / Type	1 / Centrifugal	1 / Centrifugal
Fan Diameter (in)	18 x 18	18 x 18
High Static - High Efficiency 3 phase		
Cond. Coil		
Material	Cu / Al	Cu / Al
Coil type	3/8" RTPF	3/8" RTPF
Rows / FPI	2/17	2/17
total face area (ft ²)	2 @ 23.1	2 @ 23.1
Cond. fan / motor		
Qty / Motor drive type	3 / direct	3 / direct
Motor HP / RPM	1/4 / 1100	1/4 / 1100
Fan diameter (in)	22	22
Filters		
RA Filter # / size (in)	6 / 18 x 24 x 2 V 2 / 24 x 27 x 1	6 / 18 x 24 x 2 V 2 / 24 x 27 x 1
OA inlet screen # / size (in)	H 1 / 30 x 39 x 1	H 1 / 30 x 39 x 1

48HC

APPENDIX III. FAN PERFORMANCE

Table 27 – 48HC Size 04

1 Phase HUMIDI-MIZER

3 Ton Vertical Supply

CFM	Available External Static Pressure (in. wg)									
	0.2		0.4		0.6		0.8		1.0	
	RPM	BHP	RPM	BHP	RPM	BHP	RPM	BHP	RPM	BHP
900	592	0.14	721	0.25	826	0.38	916	0.53	997	0.69
975	616	0.17	744	0.28	847	0.41	936	0.56	1016	0.72
1050	641	0.19	766	0.30	868	0.44	957	0.59	1036	0.76
1125	667	0.22	790	0.33	890	0.47	978	0.63	1056	0.80
1200	693	0.25	813	0.37	913	0.51	999	0.67	1077	0.84
1275	720	0.29	837	0.41	935	0.55	1021	0.71	1098	0.88
1350	747	0.33	862	0.45	958	0.60	1043	0.76	1119	0.94
1425	775	0.37	887	0.50	982	0.65	1066	0.81	1141	0.99
1500	802	0.42	912	0.55	1006	0.70	1088	0.87	1163	1.05

CFM	Available External Static Pressure (in. wg)									
	1.2		1.4		1.6		1.8		2.0	
	RPM	BHP	RPM	BHP	RPM	BHP	RPM	BHP	RPM	BHP
900	1070	0.88	1137	1.07	-	-	-	-	-	-
975	1089	0.91	1156	1.11	-	-	-	-	-	-
1050	1108	0.94	1175	1.14	-	-	-	-	-	-
1125	1128	0.98	1195	1.18	-	-	-	-	-	-
1200	1148	1.03	-	-	-	-	-	-	-	-
1275	1169	1.07	-	-	-	-	-	-	-	-
1350	1190	1.13	-	-	-	-	-	-	-	-
1425	1211	1.19	-	-	-	-	-	-	-	-
1500	-	-	-	-	-	-	-	-	-	-

NOTE: For more information, see General Fan Performance Notes.

Boldface indicates field – supplied drive is required.

Standard static 560–854 RPM, 1.2 BHP max

Medium static 770–1175 RPM, 1.2 BHP max

High static 1035–1466 RPM, 2.4 BHP max

Table 28 – 48HC Size 04

3 Phase Non-HUMIDI-MIZER

3 Ton Vertical Supply

CFM	Available External Static Pressure (in. wg)									
	0.2		0.4		0.6		0.8		1.0	
	RPM	BHP	RPM	BHP	RPM	BHP	RPM	BHP	RPM	BHP
900	592	0.14	721	0.25	826	0.38	916	0.53	997	0.69
975	616	0.17	744	0.28	847	0.41	936	0.56	1016	0.72
1050	641	0.19	766	0.30	868	0.44	957	0.59	1036	0.76
1125	667	0.22	790	0.33	890	0.47	978	0.63	1056	0.80
1200	693	0.25	813	0.37	913	0.51	999	0.67	1077	0.84
1275	720	0.29	837	0.41	935	0.55	1021	0.71	1098	0.88
1350	747	0.33	862	0.45	958	0.60	1043	0.76	1119	0.94
1425	775	0.37	887	0.50	982	0.65	1066	0.81	1141	0.99
1500	802	0.42	912	0.55	1006	0.70	1088	0.87	1163	1.05

CFM	Available External Static Pressure (in. wg)									
	1.2		1.4		1.6		1.8		2.0	
	RPM	BHP	RPM	BHP	RPM	BHP	RPM	BHP	RPM	BHP
900	1070	0.88	1137	1.07	1201	1.29	1260	1.51	1317	1.75
975	1089	0.91	1156	1.11	1219	1.32	1279	1.54	1335	1.78
1050	1108	0.94	1175	1.14	1238	1.36	1297	1.58	1353	1.82
1125	1128	0.98	1195	1.18	1257	1.40	1316	1.62	1372	1.86
1200	1148	1.03	1214	1.23	1276	1.44	1335	1.67	1391	1.91
1275	1169	1.07	1235	1.28	1296	1.50	1354	1.72	1410	1.97
1350	1190	1.13	1255	1.33	1316	1.55	1374	1.78	1429	2.03
1425	1211	1.19	1276	1.39	1337	1.61	1394	1.85	1449	2.09
1500	1232	1.25	1297	1.46	1357	1.68	1415	1.91	1469	2.16

48HC

APPENDIX III. FAN PERFORMANCE (cont.)

Table 29 – 48HC Size 04

3 Phase HUMIDI-MIZER

3 Ton Vertical Supply

CFM	Available External Static Pressure (in. wg)									
	0.2		0.4		0.6		0.8		1.0	
	RPM	BHP	RPM	BHP	RPM	BHP	RPM	BHP	RPM	BHP
900	592	0.14	721	0.25	826	0.38	916	0.53	997	0.69
975	616	0.17	744	0.28	847	0.41	936	0.56	1016	0.72
1050	641	0.19	766	0.30	868	0.44	957	0.59	1036	0.76
1125	667	0.22	790	0.33	890	0.47	978	0.63	1056	0.80
1200	693	0.25	813	0.37	913	0.51	999	0.67	1077	0.84
1275	720	0.29	837	0.41	935	0.55	1021	0.71	1098	0.88
1350	747	0.33	862	0.45	958	0.60	1043	0.76	1119	0.94
1425	775	0.37	887	0.50	982	0.65	1066	0.81	1141	0.99
1500	802	0.42	912	0.55	1006	0.70	1088	0.87	1163	1.05

CFM	Available External Static Pressure (in. wg)									
	1.2		1.4		1.6		1.8		2.0	
	RPM	BHP	RPM	BHP	RPM	BHP	RPM	BHP	RPM	BHP
900	1070	0.88	1137	1.07	1201	1.29	1260	1.51	1317	1.75
975	1089	0.91	1156	1.11	1219	1.32	1279	1.54	1335	1.78
1050	1108	0.94	1175	1.14	1238	1.36	1297	1.58	1353	1.82
1125	1128	0.98	1195	1.18	1257	1.40	1316	1.62	1372	1.86
1200	1148	1.03	1214	1.23	1276	1.44	1335	1.67	1391	1.91
1275	1169	1.07	1235	1.28	1296	1.50	1354	1.72	1410	1.97
1350	1190	1.13	1255	1.33	1316	1.55	1374	1.78	1429	2.03
1425	1211	1.19	1276	1.39	1337	1.61	1394	1.85	1449	2.09
1500	1232	1.25	1297	1.46	1357	1.68	1415	1.91	1469	2.16

NOTE: For more information, see General Fan Performance Notes.

Boldface indicates field – supplied drive is required.

Standard static 560–854 RPM, 1.2 BHP max

Medium static 770–1175 RPM, 1.2 BHP max

High static 1035–1466 RPM, 2.4 BHP max

Table 30 – 48HC Size 04

1 Phase HUMIDI-MIZER

3 Ton Horizontal Supply

CFM	Available External Static Pressure (in. wg)									
	0.2		0.4		0.6		0.8		1.0	
	RPM	BHP	RPM	BHP	RPM	BHP	RPM	BHP	RPM	BHP
900	582	0.14	715	0.24	825	0.35	921	0.48	1007	0.63
975	606	0.16	735	0.26	843	0.38	938	0.51	1023	0.66
1050	630	0.18	756	0.29	862	0.41	955	0.55	1040	0.70
1125	655	0.21	778	0.32	882	0.45	974	0.58	1057	0.74
1200	681	0.24	800	0.35	902	0.48	992	0.63	1074	0.78
1275	708	0.27	823	0.39	923	0.53	1012	0.67	1093	0.83
1350	735	0.31	847	0.43	945	0.57	1032	0.72	1112	0.88
1425	762	0.35	871	0.48	967	0.62	1053	0.77	1131	0.94
1500	790	0.40	896	0.53	990	0.67	1074	0.83	1151	1.00

CFM	Available External Static Pressure (in. wg)									
	1.2		1.4		1.6		1.8		2.0	
	RPM	BHP	RPM	BHP	RPM	BHP	RPM	BHP	RPM	BHP
900	1086	0.79	1159	0.96	1228	1.14	–	–	–	–
975	1101	0.82	1174	0.99	1242	1.18	–	–	–	–
1050	1117	0.86	1189	1.03	–	–	–	–	–	–
1125	1133	0.90	1204	1.08	–	–	–	–	–	–
1200	1150	0.95	1221	1.13	–	–	–	–	–	–
1275	1168	1.00	1237	1.18	–	–	–	–	–	–
1350	1186	1.05	–	–	–	–	–	–	–	–
1425	1204	1.11	–	–	–	–	–	–	–	–
1500	–	–	–	–	–	–	–	–	–	–

48HC

APPENDIX III. FAN PERFORMANCE (cont.)

Table 31 – 48HC Size 05

1 Phase HUMIDI-MIZER

4 Ton Vertical Supply

CFM	Available External Static Pressure (in. wg)									
	0.2		0.4		0.6		0.8		1.0	
	RPM	BHP	RPM	BHP	RPM	BHP	RPM	BHP	RPM	BHP
1200	693	0.25	813	0.37	913	0.51	999	0.67	1077	0.84
1300	729	0.30	846	0.42	943	0.57	1028	0.73	1105	0.90
1400	765	0.35	879	0.48	974	0.63	1058	0.79	1134	0.97
1500	802	0.42	912	0.55	1006	0.70	1088	0.87	1163	1.05
1600	840	0.49	947	0.63	1038	0.78	1119	0.95	1193	1.14
1700	878	0.57	982	0.71	1071	0.87	1151	1.05	-	-
1800	917	0.65	1017	0.81	1105	0.97	1183	1.15	-	-
1900	956	0.75	1053	0.91	1139	1.08	-	-	-	-
2000	995	0.86	1090	1.02	1173	1.20	-	-	-	-

CFM	Available External Static Pressure (in. wg)									
	1.2		1.4		1.6		1.8		2.0	
	RPM	BHP	RPM	BHP	RPM	BHP	RPM	BHP	RPM	BHP
1200	1148	1.03	-	-	-	-	-	-	-	-
1300	1176	1.09	-	-	-	-	-	-	-	-
1400	1204	1.17	-	-	-	-	-	-	-	-
1500	-	-	-	-	-	-	-	-	-	-
1600	-	-	-	-	-	-	-	-	-	-
1700	-	-	-	-	-	-	-	-	-	-
1800	-	-	-	-	-	-	-	-	-	-
1900	-	-	-	-	-	-	-	-	-	-
2000	-	-	-	-	-	-	-	-	-	-

NOTE: For more information, see General Fan Performance Notes.

Boldface indicates field – supplied drive is required.

Standard static 560–854 RPM, 1.2 BHP max

Medium static 770–1175 RPM, 1.2 BHP max

Table 32 – 48HC Size 05

3 Phase Non-HUMIDI-MIZER

4 Ton Vertical Supply

CFM	Available External Static Pressure (in. wg)									
	0.2		0.4		0.6		0.8		1.0	
	RPM	BHP	RPM	BHP	RPM	BHP	RPM	BHP	RPM	BHP
1200	693	0.25	813	0.37	913	0.51	999	0.67	1077	0.84
1300	729	0.30	846	0.42	943	0.57	1028	0.73	1105	0.90
1400	765	0.35	879	0.48	974	0.63	1058	0.79	1134	0.97
1500	802	0.42	912	0.55	1006	0.70	1088	0.87	1163	1.05
1600	840	0.49	947	0.63	1038	0.78	1119	0.95	1193	1.14
1700	878	0.57	982	0.71	1071	0.87	1151	1.05	1224	1.24
1800	917	0.65	1017	0.81	1105	0.97	1183	1.15	1255	1.35
1900	956	0.75	1053	0.91	1139	1.08	1216	1.27	1287	1.47
2000	995	0.86	1090	1.02	1173	1.20	1249	1.39	1319	1.59

CFM	Available External Static Pressure (in. wg)									
	1.2		1.4		1.6		1.8		2.0	
	RPM	BHP	RPM	BHP	RPM	BHP	RPM	BHP	RPM	BHP
1200	1148	1.03	1214	1.23	1276	1.44	1335	1.67	1391	1.91
1300	1176	1.09	1241	1.30	1303	1.51	1361	1.74	1416	1.98
1400	1204	1.17	1269	1.37	1330	1.59	1388	1.82	1442	2.07
1500	1232	1.25	1297	1.46	1357	1.68	1415	1.91	1469	2.16
1600	1262	1.34	1325	1.55	1385	1.78	1442	2.01	1496	2.26
1700	1291	1.44	1354	1.66	1414	1.89	1470	2.12	1524	2.37
1800	1322	1.55	1384	1.77	1443	2.00	1499	2.25	1552	2.50
1900	1352	1.68	1414	1.90	1472	2.13	1528	2.38	1580	2.63
2000	1384	1.81	1445	2.04	1502	2.27	1557	2.52	1609	2.78

NOTE: For more information, see General Fan Performance Notes.

Boldface indicates field – supplied drive is required.

Medium static 920–1303 RPM, 1.7 BHP max

High static 1208–1639 RPM, 2.9 BHP max

48HC

APPENDIX III. FAN PERFORMANCE (cont.)

Table 33 – 48HC Size 05

3 Phase HUMIDI-MIZER

4 Ton Vertical Supply

CFM	Available External Static Pressure (in. wg)									
	0.2		0.4		0.6		0.8		1.0	
	RPM	BHP	RPM	BHP	RPM	BHP	RPM	BHP	RPM	BHP
1200	693	0.25	813	0.37	913	0.51	999	0.67	1077	0.84
1300	729	0.30	846	0.42	943	0.57	1028	0.73	1105	0.90
1400	765	0.35	879	0.48	974	0.63	1058	0.79	1134	0.97
1500	802	0.42	912	0.55	1006	0.70	1088	0.87	1163	1.05
1600	840	0.49	947	0.63	1038	0.78	1119	0.95	1193	1.14
1700	878	0.57	982	0.71	1071	0.87	1151	1.05	1224	1.24
1800	917	0.65	1017	0.81	1105	0.97	1183	1.15	1255	1.35
1900	956	0.75	1053	0.91	1139	1.08	1216	1.27	1287	1.47
2000	995	0.86	1090	1.02	1173	1.20	1249	1.39	1319	1.59

CFM	Available External Static Pressure (in. wg)									
	1.2		1.4		1.6		1.8		2.0	
	RPM	BHP	RPM	BHP	RPM	BHP	RPM	BHP	RPM	BHP
1200	1148	1.03	1214	1.23	1276	1.44	1335	1.67	1391	1.91
1300	1176	1.09	1241	1.30	1303	1.51	1361	1.74	1416	1.98
1400	1204	1.17	1269	1.37	1330	1.59	1388	1.82	1442	2.07
1500	1232	1.25	1297	1.46	1357	1.68	1415	1.91	1469	2.16
1600	1262	1.34	1325	1.55	1385	1.78	1442	2.01	1496	2.26
1700	1291	1.44	1354	1.66	1414	1.89	1470	2.12	1524	2.37
1800	1322	1.55	1384	1.77	1443	2.00	1499	2.25	1552	2.50
1900	1352	1.68	1414	1.90	1472	2.13	1528	2.38	1580	2.63
2000	1384	1.81	1445	2.04	1502	2.27	1557	2.52	1609	2.78

NOTE: For more information, see General Fan Performance Notes.

- Standard static 560–854 RPM, 1.2 BHP max
- Medium static 770–1175 RPM, 1.7 BHP max
- High static 1208–1639 RPM, 2.9 BHP max

Table 34 – 48HC Size 05

1 Phase HUMIDI-MIZER

4 Ton Horizontal Supply

CFM	Available External Static Pressure (in. wg)									
	0.2		0.4		0.6		0.8		1.0	
	RPM	BHP	RPM	BHP	RPM	BHP	RPM	BHP	RPM	BHP
1200	681	0.24	800	0.35	902	0.48	992	0.63	1074	0.78
1300	717	0.29	831	0.41	930	0.54	1019	0.69	1099	0.85
1400	753	0.34	863	0.46	959	0.60	1046	0.75	1125	0.92
1500	790	0.40	896	0.53	990	0.67	1074	0.83	1151	1.00
1600	828	0.46	930	0.60	1021	0.75	1103	0.91	1179	1.09
1700	866	0.54	964	0.68	1053	0.84	1133	1.01	1207	1.18
1800	905	0.62	1000	0.77	1085	0.94	1164	1.11	–	–
1900	944	0.71	1036	0.87	1119	1.04	–	–	–	–
2000	984	0.82	1072	0.98	1153	1.15	–	–	–	–

CFM	Available External Static Pressure (in. wg)									
	1.2		1.4		1.6		1.8		2.0	
	RPM	BHP	RPM	BHP	RPM	BHP	RPM	BHP	RPM	BHP
1200	1150	0.95	1221	1.13	–	–	–	–	–	–
1300	1173	1.02	1243	1.20	–	–	–	–	–	–
1400	1198	1.09	–	–	–	–	–	–	–	–
1500	1223	1.18	–	–	–	–	–	–	–	–
1600	–	–	–	–	–	–	–	–	–	–
1700	–	–	–	–	–	–	–	–	–	–
1800	–	–	–	–	–	–	–	–	–	–
1900	–	–	–	–	–	–	–	–	–	–
2000	–	–	–	–	–	–	–	–	–	–

NOTE: For more information, see General Fan Performance Notes.

Boldface indicates field–supplied drive is required.

- Standard static 560–854 RPM, 1.2 BHP max
- Medium static 770–1175 RPM, 1.2 BHP max

48HC

APPENDIX III. FAN PERFORMANCE (cont.)

Table 35 – 48HC Size 05

3 Phase Non-HUMIDI-MIZER

4 Ton Horizontal Supply

CFM	Available External Static Pressure (in. wg)									
	0.2		0.4		0.6		0.8		1.0	
	RPM	BHP	RPM	BHP	RPM	BHP	RPM	BHP	RPM	BHP
1200	681	0.24	800	0.35	902	0.48	992	0.63	1074	0.78
1300	717	0.29	831	0.41	930	0.54	1019	0.69	1099	0.85
1400	753	0.34	863	0.46	959	0.60	1046	0.75	1125	0.92
1500	790	0.40	896	0.53	990	0.67	1074	0.83	1151	1.00
1600	828	0.46	930	0.60	1021	0.75	1103	0.91	1179	1.09
1700	866	0.54	964	0.68	1053	0.84	1133	1.01	1207	1.18
1800	905	0.62	1000	0.77	1085	0.94	1164	1.11	1236	1.29
1900	944	0.71	1036	0.87	1119	1.04	1195	1.22	1266	1.41
2000	984	0.82	1072	0.98	1153	1.15	1227	1.34	1297	1.53

CFM	Available External Static Pressure (in. wg)									
	1.2		1.4		1.6		1.8		2.0	
	RPM	BHP	RPM	BHP	RPM	BHP	RPM	BHP	RPM	BHP
1200	1150	0.95	1221	1.13	1287	1.31	1350	1.51	1410	1.72
1300	1173	1.02	1243	1.20	1309	1.39	1371	1.59	1430	1.80
1400	1198	1.09	1266	1.28	1331	1.47	1393	1.68	1451	1.89
1500	1223	1.18	1291	1.36	1355	1.56	1415	1.77	1473	1.99
1600	1249	1.27	1316	1.46	1379	1.66	1439	1.87	1496	2.09
1700	1277	1.37	1342	1.57	1404	1.77	1463	1.99	1520	2.21
1800	1305	1.48	1369	1.68	1430	1.89	1489	2.11	1545	2.34
1900	1333	1.60	1397	1.81	1457	2.02	1514	2.25	1570	2.48
2000	1363	1.73	1425	1.94	1484	2.16	1541	2.39	1596	2.63

NOTE: For more information, see General Fan Performance Notes.

Boldface indicates field – supplied drive is required.

Medium static 920 – 1303 RPM, 1.7 BHP max

High static 1208 – 1639 RPM, 2.9 BHP max

Table 36 – 48HC Size 05

3 Phase HUMIDI-MIZER

4 Ton Horizontal Supply

CFM	Available External Static Pressure (in. wg)									
	0.2		0.4		0.6		0.8		1.0	
	RPM	BHP	RPM	BHP	RPM	BHP	RPM	BHP	RPM	BHP
1200	681	0.24	800	0.35	902	0.48	992	0.63	1074	0.78
1300	717	0.29	831	0.41	930	0.54	1019	0.69	1099	0.85
1400	753	0.34	863	0.46	959	0.60	1046	0.75	1125	0.92
1500	790	0.40	896	0.53	990	0.67	1074	0.83	1151	1.00
1600	828	0.46	930	0.60	1021	0.75	1103	0.91	1179	1.09
1700	866	0.54	964	0.68	1053	0.84	1133	1.01	1207	1.18
1800	905	0.62	1000	0.77	1085	0.94	1164	1.11	1236	1.29
1900	944	0.71	1036	0.87	1119	1.04	1195	1.22	1266	1.41
2000	984	0.82	1072	0.98	1153	1.15	1227	1.34	1297	1.53

CFM	Available External Static Pressure (in. wg)									
	1.2		1.4		1.6		1.8		2.0	
	RPM	BHP	RPM	BHP	RPM	BHP	RPM	BHP	RPM	BHP
1200	1150	0.95	1221	1.13	1287	1.31	1350	1.51	1410	1.72
1300	1173	1.02	1243	1.20	1309	1.39	1371	1.59	1430	1.80
1400	1198	1.09	1266	1.28	1331	1.47	1393	1.68	1451	1.89
1500	1223	1.18	1291	1.36	1355	1.56	1415	1.77	1473	1.99
1600	1249	1.27	1316	1.46	1379	1.66	1439	1.87	1496	2.09
1700	1277	1.37	1342	1.57	1404	1.77	1463	1.99	1520	2.21
1800	1305	1.48	1369	1.68	1430	1.89	1489	2.11	1545	2.34
1900	1333	1.60	1397	1.81	1457	2.02	1514	2.25	1570	2.48
2000	1363	1.73	1425	1.94	1484	2.16	1541	2.39	1596	2.63

NOTE: For more information, see General Fan Performance Notes.

Standard static 560 – 854 RPM, 1.2 BHP max

Medium static 770 – 1175 RPM, 1.7 BHP max

High static 1208 – 1639 RPM, 2.9 BHP max

48HC

APPENDIX III. FAN PERFORMANCE (cont.)

Table 37 – 48HC Size 06

1 Phase HUMIDI-MIZER

5 Ton Vertical Supply

CFM	Available External Static Pressure (in. wg)									
	0.2		0.4		0.6		0.8		1.0	
	RPM	BHP	RPM	BHP	RPM	BHP	RPM	BHP	RPM	BHP
1500	847	0.41	966	0.55	1067	0.68	1158	0.81	1240	0.93
1625	896	0.50	1010	0.65	1109	0.79	1198	0.93	1278	1.07
1750	947	0.59	1056	0.76	1152	0.92	1238	1.07	1318	1.22
1875	998	0.70	1103	0.88	1196	1.05	1280	1.22	1358	1.38
2000	1049	0.82	1151	1.02	1241	1.20	1323	1.38	-	-
2125	1102	0.96	1199	1.17	1287	1.37	-	-	-	-
2250	1154	1.11	1248	1.33	-	-	-	-	-	-
2375	1208	1.28	1298	1.52	-	-	-	-	-	-
2500	1261	1.47	-	-	-	-	-	-	-	-

CFM	Available External Static Pressure (in. wg)									
	1.2		1.4		1.6		1.8		2.0	
	RPM	BHP	RPM	BHP	RPM	BHP	RPM	BHP	RPM	BHP
1500	1316	1.05	1387	1.17	1454	1.28	1517	1.39	1578	1.50
1625	1353	1.20	1423	1.33	1489	1.46	-	-	-	-
1750	1391	1.36	1460	1.51	-	-	-	-	-	-
1875	-	-	-	-	-	-	-	-	-	-
2000	-	-	-	-	-	-	-	-	-	-
2125	-	-	-	-	-	-	-	-	-	-
2250	-	-	-	-	-	-	-	-	-	-
2375	-	-	-	-	-	-	-	-	-	-
2500	-	-	-	-	-	-	-	-	-	-

NOTE: For more information, see General Fan Performance Notes.

Boldface indicates field – supplied drive is required.

Standard static 770 – 1175 RPM, 1.2 BHP max

Medium static 1035 – 1466 RPM, 1.5 BHP max

Table 38 – 48HC Size 06

3 Phase Non-HUMIDI-MIZER

5 Ton Vertical Supply

CFM	Available External Static Pressure (in. wg)									
	0.2		0.4		0.6		0.8		1.0	
	RPM	BHP	RPM	BHP	RPM	BHP	RPM	BHP	RPM	BHP
1500	847	0.41	966	0.55	1067	0.68	1158	0.81	1240	0.93
1625	896	0.50	1010	0.65	1109	0.79	1198	0.93	1278	1.07
1750	947	0.59	1056	0.76	1152	0.92	1238	1.07	1318	1.22
1875	998	0.70	1103	0.88	1196	1.05	1280	1.22	1358	1.38
2000	1049	0.82	1151	1.02	1241	1.20	1323	1.38	1399	1.56
2125	1102	0.96	1199	1.17	1287	1.37	1367	1.56	1441	1.75
2250	1154	1.11	1248	1.33	1333	1.55	1411	1.75	1484	1.96
2375	1208	1.28	1298	1.52	1381	1.74	1457	1.96	1528	2.18
2500	1261	1.47	1349	1.72	1429	1.96	1503	2.19	1572	2.42

CFM	Available External Static Pressure (in. wg)									
	1.2		1.4		1.6		1.8		2.0	
	RPM	BHP	RPM	BHP	RPM	BHP	RPM	BHP	RPM	BHP
1500	1316	1.05	1387	1.17	1454	1.28	1517	1.39	1578	1.50
1625	1353	1.20	1423	1.33	1489	1.46	1552	1.58	1611	1.70
1750	1391	1.36	1460	1.51	1525	1.65	1587	1.78	1646	1.91
1875	1430	1.54	1498	1.70	1562	1.85	1623	2.00	1681	2.14
2000	1470	1.73	1537	1.90	1600	2.06	1660	2.23	1718	2.38
2125	1511	1.93	1576	2.12	1639	2.29	1698	2.47	1755	2.64
2250	1552	2.15	1617	2.35	1678	2.54	1737	2.73	-	-
2375	1595	2.39	1658	2.60	1718	2.80	-	-	-	-
2500	1638	2.64	1700	2.87	-	-	-	-	-	-

NOTE: For more information, see General Fan Performance Notes.

Boldface indicates field – supplied drive is required.

Medium static 1035 – 1466 RPM, 2.4 BHP max

High static 1303 – 1687 RPM, 2.9 BHP max

48HC

APPENDIX III. FAN PERFORMANCE (cont.)

Table 39 – 48HC Size 06

3 Phase HUMIDI-MIZER

5 Ton Vertical Supply

CFM	Available External Static Pressure (in. wg)									
	0.2		0.4		0.6		0.8		1.0	
	RPM	BHP	RPM	BHP	RPM	BHP	RPM	BHP	RPM	BHP
1500	847	0.41	966	0.55	1067	0.68	1158	0.81	1240	0.93
1625	896	0.50	1010	0.65	1109	0.79	1198	0.93	1278	1.07
1750	947	0.59	1056	0.76	1152	0.92	1238	1.07	1318	1.22
1875	998	0.70	1103	0.88	1196	1.05	1280	1.22	1358	1.38
2000	1049	0.82	1151	1.02	1241	1.20	1323	1.38	1399	1.56
2125	1102	0.96	1199	1.17	1287	1.37	1367	1.56	1441	1.75
2250	1154	1.11	1248	1.33	1333	1.55	1411	1.75	1484	1.96
2375	1208	1.28	1298	1.52	1381	1.74	1457	1.96	1528	2.18
2500	1261	1.47	1349	1.72	1429	1.96	1503	2.19	1572	2.42

CFM	Available External Static Pressure (in. wg)									
	1.2		1.4		1.6		1.8		2.0	
	RPM	BHP	RPM	BHP	RPM	BHP	RPM	BHP	RPM	BHP
1500	1316	1.05	1387	1.17	1454	1.28	1517	1.39	1578	1.50
1625	1353	1.20	1423	1.33	1489	1.46	1552	1.58	1611	1.70
1750	1391	1.36	1460	1.51	1525	1.65	1587	1.78	1646	1.91
1875	1430	1.54	1498	1.70	1562	1.85	1623	2.00	1681	2.14
2000	1470	1.73	1537	1.90	1600	2.06	1660	2.23	1718	2.38
2125	1511	1.93	1576	2.12	1639	2.29	1698	2.47	1755	2.64
2250	1552	2.15	1617	2.35	1678	2.54	1737	2.73	-	-
2375	1595	2.39	1658	2.60	1718	2.80	-	-	-	-
2500	1638	2.64	1700	2.87	-	-	-	-	-	-

NOTE: For more information, see General Fan Performance Notes.

Boldface indicates field – supplied drive is required.

Standard static 770–1175 RPM, 1.2 BHP max

Medium static 1035–1466 RPM, 2.4 BHP max

High static 1303–1687 RPM, 2.9 BHP max

Table 40 – 48HC Size 06

1 Phase HUMIDI-MIZER

5 Ton Horizontal Supply

CFM	Available External Static Pressure (in. wg)									
	0.2		0.4		0.6		0.8		1.0	
	RPM	BHP	RPM	BHP	RPM	BHP	RPM	BHP	RPM	BHP
1500	798	0.41	906	0.55	1002	0.71	1088	0.87	1167	1.05
1625	845	0.50	949	0.65	1041	0.81	1125	0.98	1202	1.17
1750	893	0.60	993	0.76	1081	0.93	1163	1.11	1238	1.30
1875	942	0.71	1037	0.88	1123	1.06	1202	1.25	1275	1.44
2000	992	0.84	1083	1.02	1166	1.21	1242	1.40	-	-
2125	1043	0.98	1129	1.17	1209	1.37	-	-	-	-
2250	1093	1.14	1177	1.34	-	-	-	-	-	-
2375	1145	1.32	1225	1.53	-	-	-	-	-	-
2500	1196	1.51	-	-	-	-	-	-	-	-

CFM	Available External Static Pressure (in. wg)									
	1.2		1.4		1.6		1.8		2.0	
	RPM	BHP	RPM	BHP	RPM	BHP	RPM	BHP	RPM	BHP
1500	1241	1.23	1310	1.42	-	-	-	-	-	-
1625	1274	1.36	-	-	-	-	-	-	-	-
1750	1308	1.50	-	-	-	-	-	-	-	-
1875	-	-	-	-	-	-	-	-	-	-
2000	-	-	-	-	-	-	-	-	-	-
2125	-	-	-	-	-	-	-	-	-	-
2250	-	-	-	-	-	-	-	-	-	-
2375	-	-	-	-	-	-	-	-	-	-
2500	-	-	-	-	-	-	-	-	-	-

48HC

APPENDIX III. FAN PERFORMANCE (cont.)

Table 41 – 48HC Size 06

3 Phase Non-HUMIDI-MIZER

5 Ton Horizontal Supply

CFM	Available External Static Pressure (in. wg)									
	0.2		0.4		0.6		0.8		1.0	
	RPM	BHP	RPM	BHP	RPM	BHP	RPM	BHP	RPM	BHP
1500	798	0.41	906	0.55	1002	0.71	1088	0.87	1167	1.05
1625	845	0.50	949	0.65	1041	0.81	1125	0.98	1202	1.17
1750	893	0.60	993	0.76	1081	0.93	1163	1.11	1238	1.30
1875	942	0.71	1037	0.88	1123	1.06	1202	1.25	1275	1.44
2000	992	0.84	1083	1.02	1166	1.21	1242	1.40	1313	1.61
2125	1043	0.98	1129	1.17	1209	1.37	1283	1.57	1353	1.79
2250	1093	1.14	1177	1.34	1254	1.55	1325	1.76	1393	1.98
2375	1145	1.32	1225	1.53	1299	1.74	1369	1.97	1434	2.20
2500	1196	1.51	1273	1.73	1345	1.96	1413	2.19	1477	2.43

CFM	Available External Static Pressure (in. wg)									
	1.2		1.4		1.6		1.8		2.0	
	RPM	BHP	RPM	BHP	RPM	BHP	RPM	BHP	RPM	BHP
1500	1241	1.23	1310	1.42	1375	1.63	1438	1.84	1497	2.06
1625	1274	1.36	1342	1.56	1406	1.77	1467	1.98	1526	2.21
1750	1308	1.50	1375	1.70	1438	1.92	1498	2.14	1555	2.37
1875	1344	1.65	1409	1.86	1471	2.09	1530	2.32	1586	2.55
2000	1380	1.82	1444	2.04	1505	2.27	1563	2.51	1619	2.75
2125	1418	2.01	1481	2.24	1540	2.47	1597	2.72	1652	2.97
2250	1457	2.21	1518	2.45	1576	2.69	1632	2.94	1686	3.20
2375	1497	2.43	1556	2.68	1614	2.93	1669	3.19	-	-
2500	1538	2.68	1596	2.93	1652	3.19	-	-	-	-

NOTE: For more information, see General Fan Performance Notes.

Boldface indicates field – supplied drive is required.

Standard static 770 – 1175 RPM, 1.2 BHP max

Medium static 1035 – 1466 RPM, 2.4 BHP max

High static 1303 – 1687 RPM, 2.9 BHP max

Table 42 – 48HC Size 06

3 Phase HUMIDI-MIZER

5 Ton Horizontal Supply

CFM	Available External Static Pressure (in. wg)									
	0.2		0.4		0.6		0.8		1.0	
	RPM	BHP	RPM	BHP	RPM	BHP	RPM	BHP	RPM	BHP
1500	798	0.41	906	0.55	1002	0.71	1088	0.87	1167	1.05
1625	845	0.50	949	0.65	1041	0.81	1125	0.98	1202	1.17
1750	893	0.60	993	0.76	1081	0.93	1163	1.11	1238	1.30
1875	942	0.71	1037	0.88	1123	1.06	1202	1.25	1275	1.44
2000	992	0.84	1083	1.02	1166	1.21	1242	1.40	1313	1.61
2125	1043	0.98	1129	1.17	1209	1.37	1283	1.57	1353	1.79
2250	1093	1.14	1177	1.34	1254	1.55	1325	1.76	1393	1.98
2375	1145	1.32	1225	1.53	1299	1.74	1369	1.97	1434	2.20
2500	1196	1.51	1273	1.73	1345	1.96	1413	2.19	1477	2.43

CFM	Available External Static Pressure (in. wg)									
	1.2		1.4		1.6		1.8		2.0	
	RPM	BHP	RPM	BHP	RPM	BHP	RPM	BHP	RPM	BHP
1500	1241	1.23	1310	1.42	1375	1.63	1438	1.84	1497	2.06
1625	1274	1.36	1342	1.56	1406	1.77	1467	1.98	1526	2.21
1750	1308	1.50	1375	1.70	1438	1.92	1498	2.14	1555	2.37
1875	1344	1.65	1409	1.86	1471	2.09	1530	2.32	1586	2.55
2000	1380	1.82	1444	2.04	1505	2.27	1563	2.51	1619	2.75
2125	1418	2.01	1481	2.24	1540	2.47	1597	2.72	-	-
2250	1457	2.21	1518	2.45	1576	2.69	-	-	-	-
2375	1497	2.43	1556	2.68	-	-	-	-	-	-
2500	1538	2.68	-	-	-	-	-	-	-	-

48HC

APPENDIX III. FAN PERFORMANCE (cont.)

Table 43 – 48HC Size 07

3 Phase Non-HUMIDI-MIZER

6 Ton Vertical Supply

CFM	Available External Static Pressure (in. wg)									
	0.2		0.4		0.6		0.8		1.0	
	RPM	BHP	RPM	BHP	RPM	BHP	RPM	BHP	RPM	BHP
1800	449	0.34	539	0.53	615	0.75	681	0.99	742	1.26
1950	470	0.40	557	0.60	631	0.83	696	1.08	756	1.35
2100	491	0.47	576	0.68	648	0.91	712	1.17	771	1.45
2250	513	0.54	595	0.76	665	1.01	728	1.27	786	1.56
2400	536	0.63	615	0.86	684	1.11	745	1.39	802	1.68
2550	558	0.72	635	0.97	702	1.23	763	1.51	818	1.81
2700	582	0.83	656	1.08	721	1.35	781	1.65	835	1.95
2850	605	0.94	677	1.21	741	1.49	799	1.79	853	2.11
3000	629	1.07	699	1.35	761	1.64	818	1.95	871	2.28

CFM	Available External Static Pressure (in. wg)									
	1.2		1.4		1.6		1.8		2.0	
	RPM	BHP	RPM	BHP	RPM	BHP	RPM	BHP	RPM	BHP
1800	797	1.54	848	1.84	896	2.16	942	2.49	985	2.84
1950	810	1.64	861	1.94	909	2.26	954	2.60	997	2.96
2100	824	1.74	875	2.06	922	2.38	967	2.73	1009	3.09
2250	839	1.86	889	2.18	935	2.52	980	2.87	1022	3.23
2400	854	1.99	903	2.32	950	2.66	993	3.02	1035	3.39
2550	870	2.13	918	2.46	964	2.81	1008	3.18	1049	3.55
2700	886	2.28	934	2.62	979	2.98	1022	3.35	1063	3.74
2850	903	2.44	950	2.79	995	3.16	1037	3.54	1078	3.93
3000	920	2.62	966	2.98	1010	3.35	1052	3.74	1093	4.14

NOTE: For more information, see General Fan Performance Notes.
Boldface indicates field-supplied drive is required.

Standard static 489 – 747 RPM, 1.7 BHP max
 Medium static 733 – 949 RPM, 2.9 BHP max
 High static 909 – 1102 RPM, 4.7 BHP max

48HC

Table 44 – 48HC Size 07

3 Phase Non-HUMIDI-MIZER

6 Ton Horizontal Supply

CFM	Available External Static Pressure (in. wg)									
	0.2		0.4		0.6		0.8		1.0	
	RPM	BHP	RPM	BHP	RPM	BHP	RPM	BHP	RPM	BHP
1800	441	0.33	533	0.51	611	0.72	681	0.96	745	1.23
1950	462	0.38	550	0.58	626	0.80	694	1.04	757	1.31
2100	483	0.45	567	0.65	641	0.88	708	1.13	769	1.40
2250	505	0.52	586	0.73	657	0.97	722	1.22	782	1.50
2400	528	0.60	605	0.82	674	1.07	738	1.33	796	1.62
2550	550	0.69	625	0.92	692	1.17	754	1.45	811	1.74
2700	574	0.80	645	1.03	710	1.29	770	1.57	826	1.88
2850	597	0.91	666	1.16	729	1.43	788	1.71	843	2.02
3000	621	1.03	688	1.29	749	1.57	806	1.87	859	2.18

CFM	Available External Static Pressure (in. wg)									
	1.2		1.4		1.6		1.8		2.0	
	RPM	BHP	RPM	BHP	RPM	BHP	RPM	BHP	RPM	BHP
1800	804	1.51	860	1.82	912	2.15	961	2.49	1008	2.85
1950	815	1.60	869	1.91	920	2.24	969	2.59	1016	2.96
2100	826	1.70	880	2.01	930	2.35	978	2.70	1024	3.07
2250	838	1.81	891	2.12	941	2.46	988	2.82	1033	3.19
2400	851	1.92	903	2.25	952	2.59	999	2.95	1043	3.33
2550	865	2.05	916	2.38	964	2.73	1010	3.10	1054	3.48
2700	879	2.19	929	2.53	976	2.88	1022	3.25	1066	3.64
2850	894	2.35	943	2.69	990	3.05	1035	3.43	1078	3.82
3000	910	2.51	958	2.86	1004	3.23	1048	3.61	1090	4.01

NOTE: For more information, see General Fan Performance Notes.
Boldface indicates field-supplied drive is required.

Standard static 489 – 747 RPM, 1.7 BHP max
 Medium static 733 – 949 RPM, 2.9 BHP max
 High static 909 – 1102 RPM, 4.7 BHP max

APPENDIX III. FAN PERFORMANCE (cont.)

Table 45 – 48HC Size 08

3 Phase Non-HUMIDI-MIZER

7.5 Ton Vertical Supply

CFM	Available External Static Pressure (in. wg)									
	0.2		0.4		0.6		0.8		1.0	
	RPM	BHP	RPM	BHP	RPM	BHP	RPM	BHP	RPM	BHP
2250	505	0.39	595	0.54	676	0.69	750	0.86	819	1.03
2438	532	0.47	617	0.63	694	0.79	766	0.97	833	1.15
2625	559	0.56	640	0.73	714	0.90	783	1.08	848	1.28
2813	588	0.67	664	0.84	735	1.03	801	1.22	864	1.42
3000	616	0.79	689	0.97	757	1.16	821	1.36	882	1.57
3188	646	0.92	715	1.11	780	1.31	842	1.52	901	1.74
3375	675	1.06	742	1.27	804	1.48	864	1.70	920	1.93
3563	705	1.23	769	1.44	829	1.66	886	1.89	941	2.13
3750	736	1.41	797	1.63	855	1.86	910	2.10	963	2.35

CFM	Available External Static Pressure (in. wg)									
	1.2		1.4		1.6		1.8		2.0	
	RPM	BHP	RPM	BHP	RPM	BHP	RPM	BHP	RPM	BHP
2250	884	1.21	945	1.40	1003	1.60	1059	1.80	1112	2.01
2438	896	1.34	955	1.54	1012	1.74	1066	1.95	1118	2.17
2625	909	1.47	967	1.68	1022	1.89	1075	2.11	1126	2.34
2813	923	1.62	980	1.84	1034	2.06	1086	2.29	1136	2.52
3000	939	1.79	994	2.01	1047	2.24	1098	2.47	1147	2.71
3188	956	1.97	1010	2.20	1061	2.43	1111	2.68	1159	2.93
3375	975	2.16	1027	2.40	1077	2.65	1125	2.90	1172	3.15
3563	994	2.37	1044	2.62	1093	2.87	1141	3.13	1186	3.40
3750	1014	2.60	1063	2.86	1111	3.12	1157	3.39	1202	3.66

NOTE: For more information, see General Fan Performance Notes.

- Standard static 518 – 733 RPM, 1.7 BHP max
- Medium static 690 – 936 RPM, 2.4 BHP max
- High static 838 – 1084 RPM, 3.7 BHP max

Table 46 – 48HC Size 08

3 Phase Non-HUMIDI-MIZER

7.5 Ton Horizontal Supply

CFM	Available External Static Pressure (in. wg)									
	0.2		0.4		0.6		0.8		1.0	
	RPM	BHP	RPM	BHP	RPM	BHP	RPM	BHP	RPM	BHP
2250	482	0.36	577	0.51	659	0.66	732	0.82	799	0.98
2438	505	0.43	597	0.59	676	0.75	748	0.92	813	1.09
2625	529	0.51	617	0.68	694	0.85	764	1.03	827	1.22
2813	554	0.60	638	0.78	713	0.97	781	1.16	843	1.35
3000	579	0.70	660	0.89	732	1.09	799	1.29	860	1.50
3188	604	0.81	683	1.02	753	1.23	817	1.44	877	1.65
3375	630	0.94	706	1.15	774	1.37	836	1.60	895	1.82
3563	657	1.08	729	1.31	795	1.54	856	1.77	913	2.01
3750	683	1.23	753	1.47	817	1.71	877	1.96	933	2.21

CFM	Available External Static Pressure (in. wg)									
	1.2		1.4		1.6		1.8		2.0	
	RPM	BHP	RPM	BHP	RPM	BHP	RPM	BHP	RPM	BHP
2250	860	1.14	917	1.31	971	1.48	1022	1.66	1071	1.84
2438	873	1.27	929	1.45	983	1.63	1033	1.81	1081	2.00
2625	887	1.40	942	1.59	995	1.78	1045	1.98	1092	2.18
2813	901	1.55	956	1.75	1008	1.95	1057	2.15	1104	2.36
3000	917	1.70	970	1.91	1021	2.13	1070	2.34	1117	2.56
3188	933	1.87	986	2.09	1036	2.32	1084	2.54	1130	2.77
3375	950	2.05	1002	2.29	1051	2.52	1098	2.76	1144	3.00
3563	967	2.25	1018	2.49	1067	2.74	1113	2.99	1158	3.24
3750	985	2.46	1035	2.71	1083	2.97	1129	3.23	1173	3.49

NOTE: For more information, see General Fan Performance Notes.

- Standard static 518 – 733 RPM, 1.7 BHP max
- Medium static 690 – 936 RPM, 2.4 BHP max
- High static 838 – 1084 RPM, 3.7 BHP max

48HC

APPENDIX III. FAN PERFORMANCE (cont.)

Table 47 – 48HC Size 09

3 Phase Non-HUMIDI-MIZER

8.5 Ton Vertical Supply

CFM	Available External Static Pressure (in. wg)									
	0.2		0.4		0.6		0.8		1.0	
	RPM	BHP	RPM	BHP	RPM	BHP	RPM	BHP	RPM	BHP
2250	505	0.39	595	0.54	676	0.69	750	0.86	819	1.03
2438	532	0.47	617	0.63	694	0.79	766	0.97	833	1.15
2625	559	0.56	640	0.73	714	0.90	783	1.08	848	1.28
2813	588	0.67	664	0.84	735	1.03	801	1.22	864	1.42
3000	616	0.79	689	0.97	757	1.16	821	1.36	882	1.57
3188	646	0.92	715	1.11	780	1.31	842	1.52	901	1.74
3375	675	1.06	742	1.27	804	1.48	864	1.70	920	1.93
3563	705	1.23	769	1.44	829	1.66	886	1.89	941	2.13
3750	736	1.41	797	1.63	855	1.86	910	2.10	963	2.35

CFM	Available External Static Pressure (in. wg)									
	1.2		1.4		1.6		1.8		2.0	
	RPM	BHP	RPM	BHP	RPM	BHP	RPM	BHP	RPM	BHP
2250	884	1.21	945	1.40	1003	1.60	1059	1.80	1112	2.01
2438	896	1.34	955	1.54	1012	1.74	1066	1.95	1118	2.17
2625	909	1.47	967	1.68	1022	1.89	1075	2.11	1126	2.34
2813	923	1.62	980	1.84	1034	2.06	1086	2.29	1136	2.52
3000	939	1.79	994	2.01	1047	2.24	1098	2.47	1147	2.71
3188	956	1.97	1010	2.20	1061	2.43	1111	2.68	1159	2.93
3375	975	2.16	1027	2.40	1077	2.65	1125	2.90	1172	3.15
3563	994	2.37	1044	2.62	1093	2.87	1141	3.13	1186	3.40
3750	1014	2.60	1063	2.86	1111	3.12	1157	3.39	1202	3.66

NOTE: For more information, see General Fan Performance Notes.

Standard static 518 – 733 RPM, 1.7 BHP max

Medium static 690 – 936 RPM, 2.4 BHP max

High static 838 – 1084 RPM, 3.7 BHP max

Table 48 – 48HC Size 09

3 Phase Non-HUMIDI-MIZER

8.5 Ton Horizontal Supply

CFM	Available External Static Pressure (in. wg)									
	0.2		0.4		0.6		0.8		1.0	
	RPM	BHP	RPM	BHP	RPM	BHP	RPM	BHP	RPM	BHP
2250	482	0.36	577	0.51	659	0.66	732	0.82	799	0.98
2438	505	0.43	597	0.59	676	0.75	748	0.92	813	1.09
2625	529	0.51	617	0.68	694	0.85	764	1.03	827	1.22
2813	554	0.60	638	0.78	713	0.97	781	1.16	843	1.35
3000	579	0.70	660	0.89	732	1.09	799	1.29	860	1.50
3188	604	0.81	683	1.02	753	1.23	817	1.44	877	1.65
3375	630	0.94	706	1.15	774	1.37	836	1.60	895	1.82
3563	657	1.08	729	1.31	795	1.54	856	1.77	913	2.01
3750	683	1.23	753	1.47	817	1.71	877	1.96	933	2.21

CFM	Available External Static Pressure (in. wg)									
	1.2		1.4		1.6		1.8		2.0	
	RPM	BHP	RPM	BHP	RPM	BHP	RPM	BHP	RPM	BHP
2250	860	1.14	917	1.31	971	1.48	1022	1.66	1071	1.84
2438	873	1.27	929	1.45	983	1.63	1033	1.81	1081	2.00
2625	887	1.40	942	1.59	995	1.78	1045	1.98	1092	2.18
2813	901	1.55	956	1.75	1008	1.95	1057	2.15	1104	2.36
3000	917	1.70	970	1.91	1021	2.13	1070	2.34	1117	2.56
3188	933	1.87	986	2.09	1036	2.32	1084	2.54	1130	2.77
3375	950	2.05	1002	2.29	1051	2.52	1098	2.76	1144	3.00
3563	967	2.25	1018	2.49	1067	2.74	1113	2.99	1158	3.24
3750	985	2.46	1035	2.71	1083	2.97	1129	3.23	1173	3.49

NOTE: For more information, see General Fan Performance Notes.

Standard static 518 – 733 RPM, 1.7 BHP max

Medium static 690 – 936 RPM, 2.4 BHP max

High static 838 – 1084 RPM, 3.7 BHP max

48HC

APPENDIX III. FAN PERFORMANCE (cont.)

Table 49 – 48HC Size 11

3 Phase Non-HUMIDI-MIZER

10 Ton Vertical Supply

CFM	Available External Static Pressure (in. wg)									
	0.2		0.4		0.6		0.8		1.0	
	RPM	BHP	RPM	BHP	RPM	BHP	RPM	BHP	RPM	BHP
3000	616	0.79	689	0.97	757	1.16	821	1.36	882	1.57
3250	655	0.96	724	1.16	788	1.37	849	1.58	907	1.80
3500	695	1.17	760	1.38	821	1.60	879	1.83	934	2.06
3750	736	1.41	797	1.63	855	1.86	910	2.10	963	2.35
4000	777	1.68	834	1.91	889	2.16	942	2.41	993	2.67
4250	818	1.98	873	2.23	925	2.49	976	2.75	1025	3.02
4500	860	2.32	912	2.58	962	2.85	1010	3.13	1057	3.41
4750	902	2.69	951	2.97	999	3.26	1046	3.55	1091	3.84
5000	944	3.11	991	3.40	1037	3.70	1082	4.00	1125	4.31

48HC

CFM	Available External Static Pressure (in. wg)									
	1.2		1.4		1.6		1.8		2.0	
	RPM	BHP	RPM	BHP	RPM	BHP	RPM	BHP	RPM	BHP
3000	939	1.79	994	2.01	1047	2.24	1098	2.47	1147	2.71
3250	962	2.03	1015	2.26	1066	2.50	1115	2.75	1163	3.00
3500	987	2.30	1038	2.54	1088	2.80	1135	3.05	1181	3.32
3750	1014	2.60	1063	2.86	1111	3.12	1157	3.39	1202	3.66
4000	1042	2.93	1090	3.20	1136	3.48	1180	3.76	1224	4.04
4250	1072	3.30	1118	3.58	1162	3.87	1205	4.16	1247	4.46
4500	1103	3.70	1147	4.00	1190	4.29	1232	4.60	–	–
4750	1135	4.14	1177	4.45	–	–	–	–	–	–
5000	1167	4.63	–	–	–	–	–	–	–	–

Table 50 – 48HC Size 11

3 Phase Non-HUMIDI-MIZER

11 Ton Horizontal Supply

CFM	Available External Static Pressure (in. wg)									
	0.2		0.4		0.6		0.8		1.0	
	RPM	BHP	RPM	BHP	RPM	BHP	RPM	BHP	RPM	BHP
3000	579	0.70	660	0.89	732	1.09	799	1.29	860	1.50
3250	613	0.85	690	1.06	760	1.27	823	1.49	883	1.71
3500	648	1.03	721	1.25	788	1.48	850	1.71	907	1.95
3750	683	1.23	753	1.47	817	1.71	877	1.96	933	2.21
4000	719	1.45	786	1.71	848	1.97	905	2.23	959	2.50
4250	756	1.71	819	1.98	879	2.26	934	2.53	987	2.81
4500	792	1.99	853	2.28	910	2.57	964	2.87	1015	3.16
4750	830	2.31	888	2.62	943	2.92	995	3.23	1044	3.54
5000	867	2.66	923	2.98	976	3.30	1026	3.63	1074	3.95

CFM	Available External Static Pressure (in. wg)									
	1.2		1.4		1.6		1.8		2.0	
	RPM	BHP	RPM	BHP	RPM	BHP	RPM	BHP	RPM	BHP
3000	917	1.70	970	1.91	1021	2.13	1070	2.34	1117	2.56
3250	938	1.93	991	2.16	1041	2.38	1089	2.61	1134	2.85
3500	961	2.18	1013	2.42	1062	2.66	1108	2.91	1153	3.15
3750	985	2.46	1035	2.71	1083	2.97	1129	3.23	1173	3.49
4000	1011	2.76	1059	3.03	1106	3.30	1151	3.58	1194	3.85
4250	1037	3.09	1084	3.38	1130	3.66	1174	3.95	1216	4.24
4500	1064	3.46	1110	3.76	1155	4.06	1198	4.36	1239	4.66
4750	1091	3.85	1137	4.16	1180	4.48	–	–	–	–
5000	1120	4.28	1164	4.61	–	–	–	–	–	–

APPENDIX III. FAN PERFORMANCE (cont.)

Table 51 – 48HC Size 12

3 Phase Non-HUMIDI-MIZER

10 Ton Vertical Supply

CFM	Available External Static Pressure (in. wg)									
	0.2		0.4		0.6		0.8		1.0	
	RPM	BHP	RPM	BHP	RPM	BHP	RPM	BHP	RPM	BHP
3000	616	0.79	689	0.97	757	1.16	821	1.36	882	1.57
3250	655	0.96	724	1.16	788	1.37	849	1.58	907	1.80
3500	695	1.17	760	1.38	821	1.60	879	1.83	934	2.06
3750	736	1.41	797	1.63	855	1.86	910	2.10	963	2.35
4000	777	1.68	834	1.91	889	2.16	942	2.41	993	2.67
4250	818	1.98	873	2.23	925	2.49	976	2.75	1025	3.02
4500	860	2.32	912	2.58	962	2.85	1010	3.13	1057	3.41
4750	902	2.69	951	2.97	999	3.26	1046	3.55	1091	3.84
5000	944	3.11	991	3.40	1037	3.70	1082	4.00	1125	4.31

CFM	Available External Static Pressure (in. wg)									
	1.2		1.4		1.6		1.8		2.0	
	RPM	BHP	RPM	BHP	RPM	BHP	RPM	BHP	RPM	BHP
3000	939	1.79	994	2.01	1047	2.24	1098	2.47	1147	2.71
3250	962	2.03	1015	2.26	1066	2.50	1115	2.75	1163	3.00
3500	987	2.30	1038	2.54	1088	2.80	1135	3.05	1181	3.32
3750	1014	2.60	1063	2.86	1111	3.12	1157	3.39	1202	3.66
4000	1042	2.93	1090	3.20	1136	3.48	1180	3.76	1224	4.04
4250	1072	3.30	1118	3.58	1162	3.87	1205	4.16	1247	4.46
4500	1103	3.70	1147	4.00	1190	4.29	1232	4.60	-	-
4750	1135	4.14	1177	4.45	-	-	-	-	-	-
5000	1167	4.63	-	-	-	-	-	-	-	-

NOTE: For more information, see General Fan Performance Notes.

Standard static 591 – 838 RPM, 2.4 BHP max

Medium static 838 – 1084 RPM, 3.7 BHP max

High static 1022 – 1240 RPM, 4.9 BHP max

Table 52 – 48HC Size 12

3 Phase Non-HUMIDI-MIZER

10 Ton Horizontal Supply

CFM	Available External Static Pressure (in. wg)									
	0.2		0.4		0.6		0.8		1.0	
	RPM	BHP	RPM	BHP	RPM	BHP	RPM	BHP	RPM	BHP
3000	579	0.70	660	0.89	732	1.09	799	1.29	860	1.50
3250	613	0.85	690	1.06	760	1.27	823	1.49	883	1.71
3500	648	1.03	721	1.25	788	1.48	850	1.71	907	1.95
3750	683	1.23	753	1.47	817	1.71	877	1.96	933	2.21
4000	719	1.45	786	1.71	848	1.97	905	2.23	959	2.50
4250	756	1.71	819	1.98	879	2.26	934	2.53	987	2.81
4500	792	1.99	853	2.28	910	2.57	964	2.87	1015	3.16
4750	830	2.31	888	2.62	943	2.92	995	3.23	1044	3.54
5000	867	2.66	923	2.98	976	3.30	1026	3.63	1074	3.95

CFM	Available External Static Pressure (in. wg)									
	1.2		1.4		1.6		1.8		2.0	
	RPM	BHP	RPM	BHP	RPM	BHP	RPM	BHP	RPM	BHP
3000	917	1.70	970	1.91	1021	2.13	1070	2.34	1117	2.56
3250	938	1.93	991	2.16	1041	2.38	1089	2.61	1134	2.85
3500	961	2.18	1013	2.42	1062	2.66	1108	2.91	1153	3.15
3750	985	2.46	1035	2.71	1083	2.97	1129	3.23	1173	3.49
4000	1011	2.76	1059	3.03	1106	3.30	1151	3.58	1194	3.85
4250	1037	3.09	1084	3.38	1130	3.66	1174	3.95	1216	4.24
4500	1064	3.46	1110	3.76	1155	4.06	1198	4.36	1239	4.66
4750	1091	3.85	1137	4.16	1180	4.48	-	-	-	-
5000	1120	4.28	1164	4.61	-	-	-	-	-	-

NOTE: For more information, see General Fan Performance Notes.

Standard static 591 – 838 RPM, 2.4 BHP max

Medium static 838 – 1084 RPM, 3.7 BHP max

High static 1022 – 1240 RPM, 4.9 BHP max

48HC

APPENDIX III. FAN PERFORMANCE (cont.)

Table 53 – 48HC Size 14

3 phase

12.5 Ton Vertical Supply

CFM	Available External Static Pressure (in. wg)									
	0.2		0.4		0.6		0.8		1.0	
	RPM	BHP	RPM	BHP	RPM	BHP	RPM	BHP	RPM	BHP
3438	431	0.59	504	0.81	574	1.08	643	1.40	706	1.74
3750	456	0.71	524	0.95	589	1.22	653	1.54	715	1.90
4063	481	0.86	546	1.11	606	1.39	666	1.71	725	2.07
4375	507	1.03	569	1.30	626	1.59	681	1.91	736	2.27
4688	533	1.22	593	1.51	647	1.81	698	2.13	750	2.49
5000	560	1.44	617	1.74	669	2.05	718	2.39	766	2.75
5313	587	1.68	642	2.00	691	2.33	738	2.67	784	3.04
5625	614	1.95	667	2.29	715	2.63	760	2.99	804	3.36
5938	642	2.25	692	2.60	739	2.97	782	3.34	824	3.72
6250	670	2.58	718	2.95	763	3.33	805	3.72	846	4.11

CFM	Available External Static Pressure (in. wg)									
	1.2		1.4		1.6		1.8		2.0	
	RPM	BHP	RPM	BHP	RPM	BHP	RPM	BHP	RPM	BHP
3438	763	2.10	815	2.46	862	2.82	905	3.18	946	3.55
3750	772	2.28	825	2.66	873	3.05	918	3.45	959	3.84
4063	781	2.46	834	2.87	883	3.29	929	3.71	971	4.14
4375	790	2.66	843	3.09	892	3.53	938	3.98	982	4.43
4688	801	2.89	852	3.32	901	3.78	947	4.25	991	4.73
5000	814	3.15	863	3.58	910	4.04	956	4.53	999	5.03
5313	830	3.44	875	3.87	920	4.33	965	4.83	1008	5.34
5625	847	3.77	890	4.20	933	4.66	975	5.15	1017	5.67
5938	865	4.13	906	4.56	947	5.03	987	5.52	1028	6.04
6250	885	4.53	924	4.97	962	5.43	1001	5.92	–	–

NOTE: For more information, see General Fan Performance Notes.

Standard static 440 – 609 RPM, 2.9 BHP max

Medium static 609 – 778 RPM, 3.7 BHP max

High static 776 – 955 RPM, 6.1 BHP max

Table 54 – 48HC Size 14

3 phase

12.5 Ton Horizontal Supply

CFM	Available External Static Pressure (in. wg)									
	0.2		0.4		0.6		0.8		1.0	
	RPM	BHP	RPM	BHP	RPM	BHP	RPM	BHP	RPM	BHP
3438	421	0.57	493	0.78	561	1.02	627	1.30	688	1.62
3750	445	0.69	512	0.91	576	1.17	638	1.45	697	1.77
4063	470	0.84	533	1.07	593	1.33	651	1.62	707	1.94
4375	496	1.00	555	1.25	612	1.52	666	1.82	720	2.14
4688	522	1.19	579	1.46	632	1.74	683	2.04	734	2.37
5000	549	1.41	602	1.68	653	1.98	702	2.29	750	2.62
5313	576	1.64	627	1.94	675	2.24	721	2.57	767	2.91
5625	603	1.91	652	2.22	698	2.54	742	2.87	786	3.23
5938	630	2.20	677	2.53	721	2.87	764	3.21	805	3.57
6250	657	2.53	702	2.87	745	3.22	786	3.58	826	3.96

CFM	Available External Static Pressure (in. wg)									
	1.2		1.4		1.6		1.8		2.0	
	RPM	BHP	RPM	BHP	RPM	BHP	RPM	BHP	RPM	BHP
3438	746	1.96	799	2.32	849	2.70	896	3.09	940	3.50
3750	753	2.12	806	2.48	856	2.88	903	3.28	947	3.70
4063	761	2.29	813	2.67	862	3.07	909	3.48	953	3.92
4375	771	2.50	821	2.88	869	3.28	916	3.70	960	4.15
4688	783	2.73	831	3.11	878	3.52	923	3.95	966	4.40
5000	797	2.99	843	3.37	888	3.78	931	4.22	974	4.67
5313	812	3.28	856	3.67	899	4.08	941	4.52	983	4.98
5625	828	3.60	870	3.99	912	4.41	953	4.85	993	5.31
5938	846	3.95	886	4.36	926	4.78	965	5.22	1004	5.69
6250	865	4.35	904	4.75	942	5.18	979	5.63	–	–

NOTE: For more information, see General Fan Performance Notes.

Standard static 440 – 609 RPM, 2.9 BHP max

Medium static 609 – 778 RPM, 3.7 BHP max

High static 776 – 955 RPM, 6.1 BHP max

48HC

APPENDIX III. FAN PERFORMANCE (cont.)

X13 MULTI-SPEED/TORQUE MOTOR

Table 55 – 48HC*A04 Horizontal Unit-Direct Drive

Speed (Torque) Tap	CFM	ESP	BHP
1	900	0.45	0.23
	975	0.33	0.22
	1050	0.22	0.20
	1125	0.12	0.19
	1200	0.05	0.17
	1275	–	–
	1350	–	–
	1425	–	–
	1500	–	–
2	900	0.66	0.30
	975	0.52	0.28
	1050	0.39	0.27
	1125	0.27	0.26
	1200	0.16	0.24
	1275	0.05	0.23
	1350	–	–
	1425	–	–
	1500	–	–
3	900	1.01	0.43
	975	0.88	0.41
	1050	0.73	0.39
	1125	0.59	0.38
	1200	0.46	0.36
	1275	0.33	0.36
	1350	0.21	0.33
	1425	0.09	0.31
	1500	–	–
4	900	1.13	0.46
	975	1.03	0.46
	1050	0.92	0.46
	1125	0.81	0.46
	1200	0.69	0.46
	1275	0.57	0.45
	1350	0.44	0.44
	1425	0.31	0.42
	1500	0.18	0.40
5	900	1.20	0.49
	975	1.14	0.51
	1050	0.92	0.53
	1125	0.81	0.55
	1200	0.95	0.57
	1275	0.90	0.60
	1350	0.84	0.62
	1425	0.78	0.65
	1500	0.72	0.68

Table 56 – 48HC*A04 Vertical Unit-Direct Drive

Speed (Torque) Tap	CFM	ESP	BHP
1	900	0.30	0.19
	975	0.17	0.17
	1050	0.06	0.16
	1125	–	–
	1200	–	–
	1275	–	–
	1350	–	–
	1425	–	–
	1500	–	–
2	900	0.48	0.25
	975	0.34	0.23
	1050	0.20	0.22
	1125	0.07	0.20
	1200	–	–
	1275	–	–
	1350	–	–
	1425	–	–
	1500	–	–
3	900	0.84	0.38
	975	0.69	0.36
	1050	0.53	0.33
	1125	0.38	0.32
	1200	0.24	0.31
	1275	0.10	0.31
	1350	–	–
	1425	–	–
	1500	–	–
4	900	0.99	0.43
	975	0.88	0.43
	1050	0.75	0.43
	1125	0.61	0.43
	1200	0.47	0.42
	1275	0.33	0.40
	1350	0.19	0.38
	1425	–	–
	1500	–	–
5	900	1.10	0.47
	975	1.02	0.49
	1050	0.75	0.51
	1125	0.61	0.54
	1200	0.81	0.56
	1275	0.74	0.58
	1350	0.67	0.61
	1425	0.60	0.63
	1500	0.52	0.66

48HC

APPENDIX III. FAN PERFORMANCE (cont.)

X13 MULTI-SPEED/TORQUE MOTOR

Table 57 – 48HC*A05Horizontal Unit-Direct Drive

Speed (Torque) Tap	CFM	ESP	BHP
1	1200	0.49	0.35
	1300	0.34	0.33
	1400	0.20	0.31
	1500	0.06	0.29
	1600	–	–
	1700	–	–
	1800	–	–
	1900	–	–
	2000	–	–
2	1200	0.60	0.40
	1300	0.45	0.38
	1400	0.30	0.36
	1500	0.16	0.34
	1600	0.01	0.32
	1700	–	–
	1800	–	–
	1900	–	–
	2000	–	–
3	1200	0.94	0.59
	1300	0.83	0.61
	1400	0.71	0.63
	1500	0.59	0.61
	1600	0.46	0.59
	1700	0.33	0.56
	1800	0.19	0.53
	1900	0.07	0.49
	2000	–	–
4	1200	0.98	0.59
	1300	0.89	0.62
	1400	0.81	0.65
	1500	0.72	0.66
	1600	0.62	0.67
	1700	0.52	0.68
	1800	0.40	0.68
	1900	0.27	0.66
	2000	0.12	0.61
5	1200	1.02	0.60
	1300	0.95	0.63
	1400	0.81	0.67
	1500	0.72	0.70
	1600	0.74	0.74
	1700	0.67	0.78
	1800	0.59	0.82
	1900	0.51	0.86
	2000	0.42	0.89

Table 58 – 48HC*A05 Vertical Unit-Direct Drive

Speed (Torque) Tap	CFM	ESP	BHP
1	1200	0.38	0.30
	1300	0.24	0.28
	1400	0.12	0.27
	1500	0.01	0.26
	1600	–	–
	1700	–	–
	1800	–	–
	1900	–	–
	2000	–	–
2	1200	0.49	0.34
	1300	0.34	0.32
	1400	0.20	0.31
	1500	0.05	0.29
	1600	–	–
	1700	–	–
	1800	–	–
	1900	–	–
	2000	–	–
3	1200	0.87	0.56
	1300	0.74	0.57
	1400	0.60	0.59
	1500	0.44	0.56
	1600	0.29	0.50
	1700	0.14	0.47
	1800	0.02	0.46
	1900	–	–
	2000	–	–
4	1200	0.93	0.57
	1300	0.83	0.60
	1400	0.72	0.63
	1500	0.60	0.63
	1600	0.48	0.62
	1700	0.35	0.62
	1800	0.21	0.61
	1900	0.06	0.58
	2000	–	–
5	1200	0.97	0.58
	1300	0.89	0.61
	1400	0.72	0.65
	1500	0.60	0.68
	1600	0.64	0.72
	1700	0.55	0.75
	1800	0.46	0.79
	1900	0.35	0.82
	2000	0.25	0.86

48HC

APPENDIX III. FAN PERFORMANCE (cont.)

X13 MULTI-SPEED/TORQUE MOTOR

Table 59 – 48HC*A06 Horizontal Unit-Direct Drive

Speed (Torque) Tap	CFM	ESP	BHP
1	1500	0.40	0.50
	1625	0.20	0.48
	1750	0.04	0.45
	1875	-	-
	2000	-	-
	2125	-	-
	2250	-	-
	2375	-	-
	2500	-	-
2	1500	0.62	0.62
	1625	0.39	0.60
	1750	0.19	0.57
	1875	0.03	0.53
	2000	-	-
	2125	-	-
	2250	-	-
	2375	-	-
	2500	-	-
3	1500	1.04	0.87
	1625	0.87	0.88
	1750	0.68	0.88
	1875	0.48	0.84
	2000	0.28	0.84
	2125	0.07	0.84
	2250	-	-
	2375	-	-
	2500	-	-
4	1500	1.10	0.90
	1625	0.96	0.94
	1750	0.81	0.98
	1875	0.65	0.95
	2000	0.47	1.00
	2125	0.27	0.94
	2250	0.05	0.96
	2375	-	-
	2500	-	-
5	1500	1.12	0.92
	1625	1.00	0.96
	1750	0.81	1.00
	1875	0.65	1.04
	2000	0.56	1.08
	2125	0.39	0.95
	2250	0.19	1.09
	2375	-	-
	2500	-	-

Table 60 – 48HC*A06 Vertical Unit-Direct Drive

Speed (Torque) Tap	CFM	ESP	BHP
1	1500	0.27	0.45
	1625	0.08	0.43
	1750	-	-
	1875	-	-
	2000	-	-
	2125	-	-
	2250	-	-
	2375	-	-
	2500	-	-
2	1500	0.48	0.57
	1625	0.26	0.55
	1750	0.08	0.53
	1875	-	-
	2000	-	-
	2125	-	-
	2250	-	-
	2375	-	-
	2500	-	-
3	1500	0.91	0.82
	1625	0.72	0.82
	1750	0.52	0.81
	1875	0.31	0.78
	2000	0.11	0.77
	2125	-	-
	2250	-	-
	2375	-	-
	2500	-	-
4	1500	0.98	0.85
	1625	0.82	0.89
	1750	0.66	0.92
	1875	0.50	0.90
	2000	0.32	0.92
	2125	0.13	0.86
	2250	-	-
	2375	-	-
	2500	-	-
5	1500	1.00	-
	1625	0.86	0.91
	1750	0.66	0.95
	1875	0.50	0.98
	2000	0.41	1.01
	2125	0.25	0.88
	2250	0.06	1.01
	2375	-	-
	2500	-	-

48HC

APPENDIX III. FAN PERFORMANCE (cont.)

X13 MULTI-SPEED/TORQUE MOTOR

Table 61 – Pulley Adjustment

UNIT		Motor/Drive Combo	Motor Pulley turns open										
			0	0.5	1	1.5	2	2.5	3	3.5	4	4.5	5
04	1 Phase	Standard Static	854	825	795	766	736	707	678	648	619	589	560
		Medium Static	1175	1135	1094	1054	1013	973	932	892	851	811	770
	3 Phase	Standard Static*	854	825	795	766	736	707	678	648	619	589	560
		Medium Static	1175	1135	1094	1054	1013	973	932	892	851	811	770
		High Static	1466	1423	1380	1337	1294	1251	1207	1164	1121	1078	1035
05	1 Phase	Standard Static	854	825	795	766	736	707	678	648	619	589	560
		Medium Static	1175	1135	1094	1054	1013	973	932	892	851	811	770
05	3 Phase	Standard Static*	854	825	795	766	736	707	678	648	619	589	560
		Medium Static*	1175	1135	1094	1054	1013	973	932	892	851	811	770
	3 Phase	Medium Static	1303	1265	1226	1188	1150	1112	1073	1035	997	958	920
		High Static	1639	1596	1553	1510	1467	1424	1380	1337	1294	1251	1208
06	1 Phase	Standard Static	1175	1135	1094	1054	1013	973	932	892	851	811	770
		Medium Static	1466	1423	1380	1337	1294	1251	1207	1164	1121	1078	1035
	3 Phase	Standard Static*	1175	1135	1094	1054	1013	973	932	892	851	811	770
		Medium Static	1466	1423	1380	1337	1294	1251	1207	1164	1121	1078	1035
		High Static	1687	1649	1610	1572	1533	1495	1457	1418	1380	1341	1303
07	3 Phase	Standard Static	747	721	695	670	644	618	592	566	541	515	489
		Medium Static	949	927	906	884	863	841	819	798	776	755	733
		High Static	1102	1083	1063	1044	1025	1006	986	967	948	928	909
08	3 Phase	Standard Static	733	712	690	669	647	626	604	583	561	540	518
		Medium Static	936	911	887	862	838	813	788	764	739	715	690
		High Static	1084	1059	1035	1010	986	961	936	912	887	863	838
09	3 Phase	Standard Static	733	712	690	669	647	626	604	583	561	540	518
		Medium Static	936	911	887	862	838	813	788	764	739	715	690
		High Static	1084	1059	1035	1010	986	961	936	912	887	863	838
11	3 Phase	Standard Static	838	813	789	764	739	715	690	665	640	616	591
		Medium Static	1084	1059	1035	1010	986	961	936	912	887	863	838
		High Static	1240	1218	1196	1175	1153	1131	1109	1087	1066	1044	1022
12	3 Phase	Standard Static	838	813	789	764	739	715	690	665	640	616	591
		Medium Static	1084	1059	1035	1010	986	961	936	912	887	863	838
		High Static	1240	1218	1196	1175	1153	1131	1109	1087	1066	1044	1022
14	3 Phase	Standard Static	843	824	805	786	767	748	728	709	690	671	652
		Medium Static	778	761	744	727	710	694	677	660	643	626	609
		High Static	955	937	919	901	883	866	848	830	812	794	776

■ – Factory settings

* Humidi-MiZer models only

48HC

APPENDIX IV. WIRING DIAGRAMS

Table 62 – Wiring Diagrams

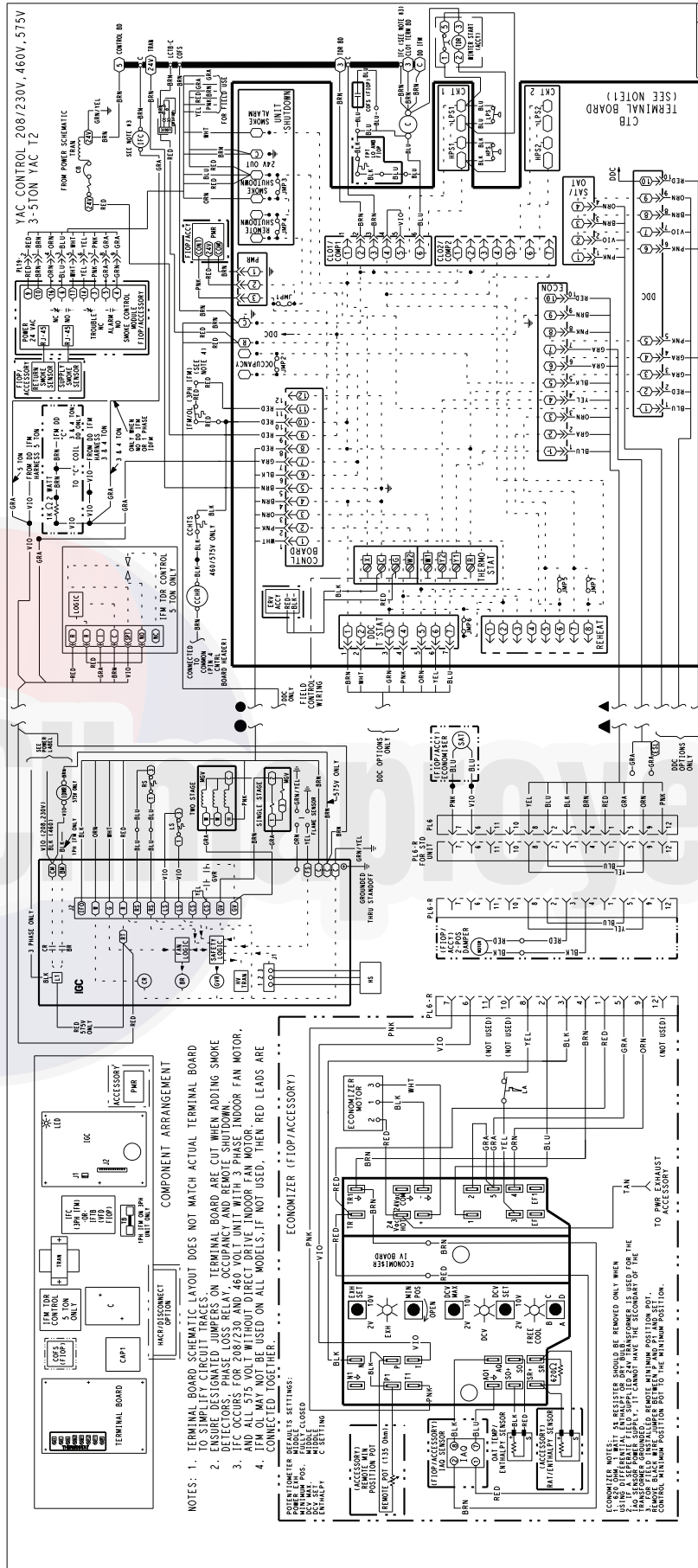
48HC*A04-D14 UNITS					
		STANDARD		HUMIDI-MIZER™	
SIZE	VOLTAGE	CONTROL	POWER	CONTROL	POWER
A04 – A06	230 – 1 – 60	48TM502525 – F	48TM502526 – F	48TM503098 – I	48TM503099 – H
	208/230 – 3 – 60	48TM502525 – F	48TM502527 – F	48TM503098 – I	48TM503100 – I
	460 – 3 – 60	48TM502525 – F	48TM502527 – F	48TM503098 – I	48TM503100 – I
	575 – 3 – 60	48TM502525 – F	48TM502528 – G	48TM503098 – I	48TM503101 – I
A07	208/230 – 3 – 60	48TM500929 – Q	48TM500803 – N	48TM503217 – H	48TM503237 – D
	460 – 3 – 60	48TM500929 – Q	48TM500803 – N	48TM503217 – H	48TM503237 – D
	575 – 3 – 60	48TM500929 – Q	48TM500804 – Q	48TM503217 – H	48TM503239 – F
D08 – D09	208/230 – 3 – 60	48TM501325 – N	48TM501326 – L	48TM503251 – J	48TM503252 – D
	460 – 3 – 60	48TM501325 – N	48TM501326 – L	48TM503251 – J	48TM503252 – D
	575 – 3 – 60	48TM501325 – N	48TM501327 – N	48TM503251 – J	48TM503253 – E
D12	208/230 – 3 – 60	48TM501379 – O	48TM501380 – K	48TM503254 – K	48TM503255 – E
	460 – 3 – 60	48TM501379 – O	48TM501380 – K	48TM503254 – K	48TM503255 – E
	575 – 3 – 60	48TM501379 – O	48TM501381 – K	48TM503254 – K	48TM503256 – E
D11	208/230 – 3 – 60	NEED INFORMATION FROM ENGINEERING			
	460 – 3 – 60				
	575 – 3 – 60				
D14	208/230 – 3 – 60	50TM501063 – I	50TM501065 – D	50TM501504 – F	50TM501508 – D
	460 – 3 – 60	50TM501063 – I	50TM501065 – D	50TM501504 – F	50TM501508 – D
	575 – 3 – 60	50TM501063 – I	50TM501158 – D	50TM501504 – F	50TM501507 – C
ALL	PremierLink*	50HE500751J / 50HE500891F		50HE502181E / 50HE500891F	
ALL	RTU – Open*	50HE500751J / 50HE501687B		50HE502181E / 50HE501687B	

48HC

Manualslib.com

APPENDIX IV. WIRING DIAGRAMS

48HC



APPENDIX IV. WIRING DIAGRAMS

48HC

YAC CONTROL 208/230V, 460V, 575V
 7.5-10TON YAC (2)COMPR T1
 7.5-8.5TON YAC (2)COMPR T2

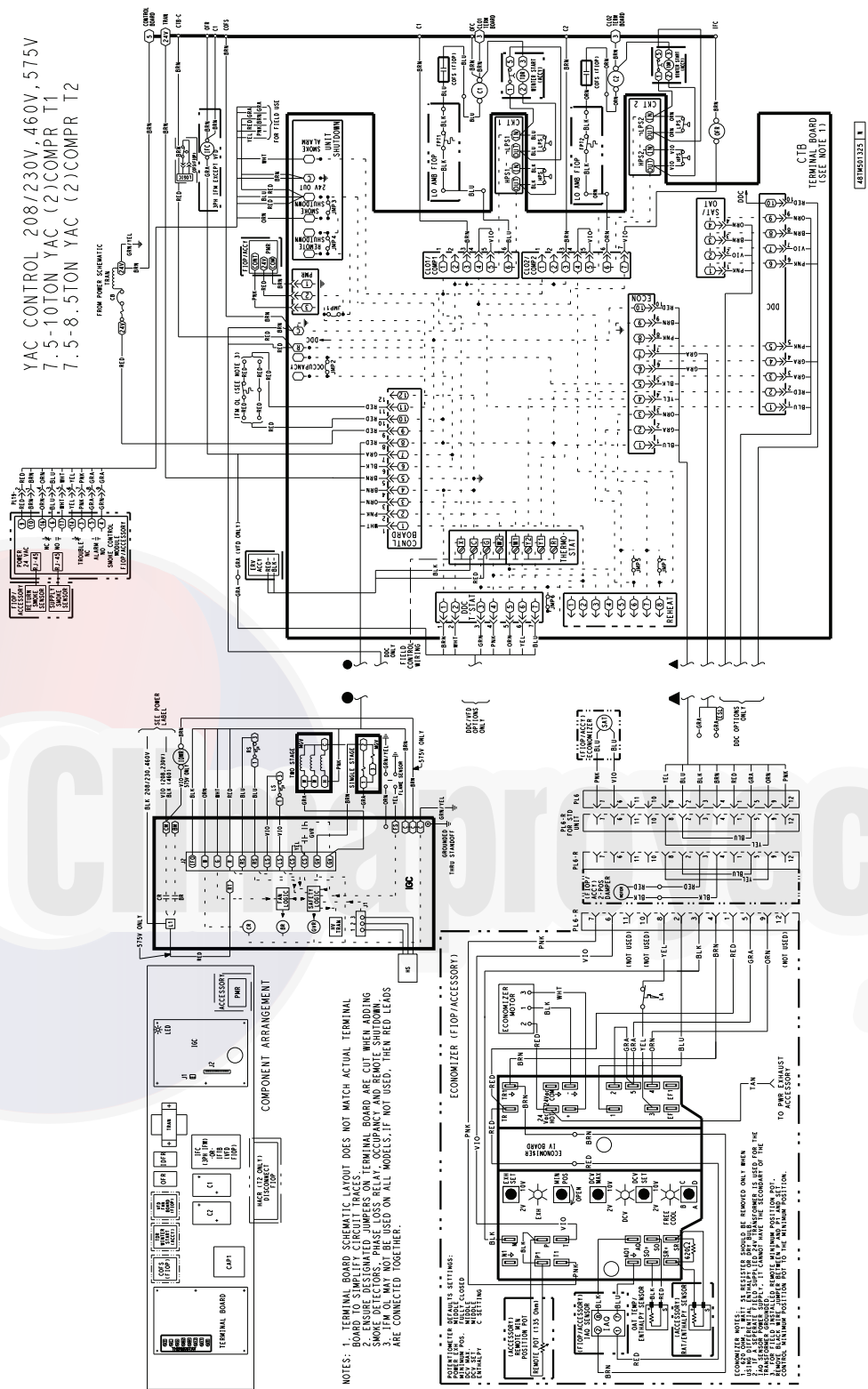
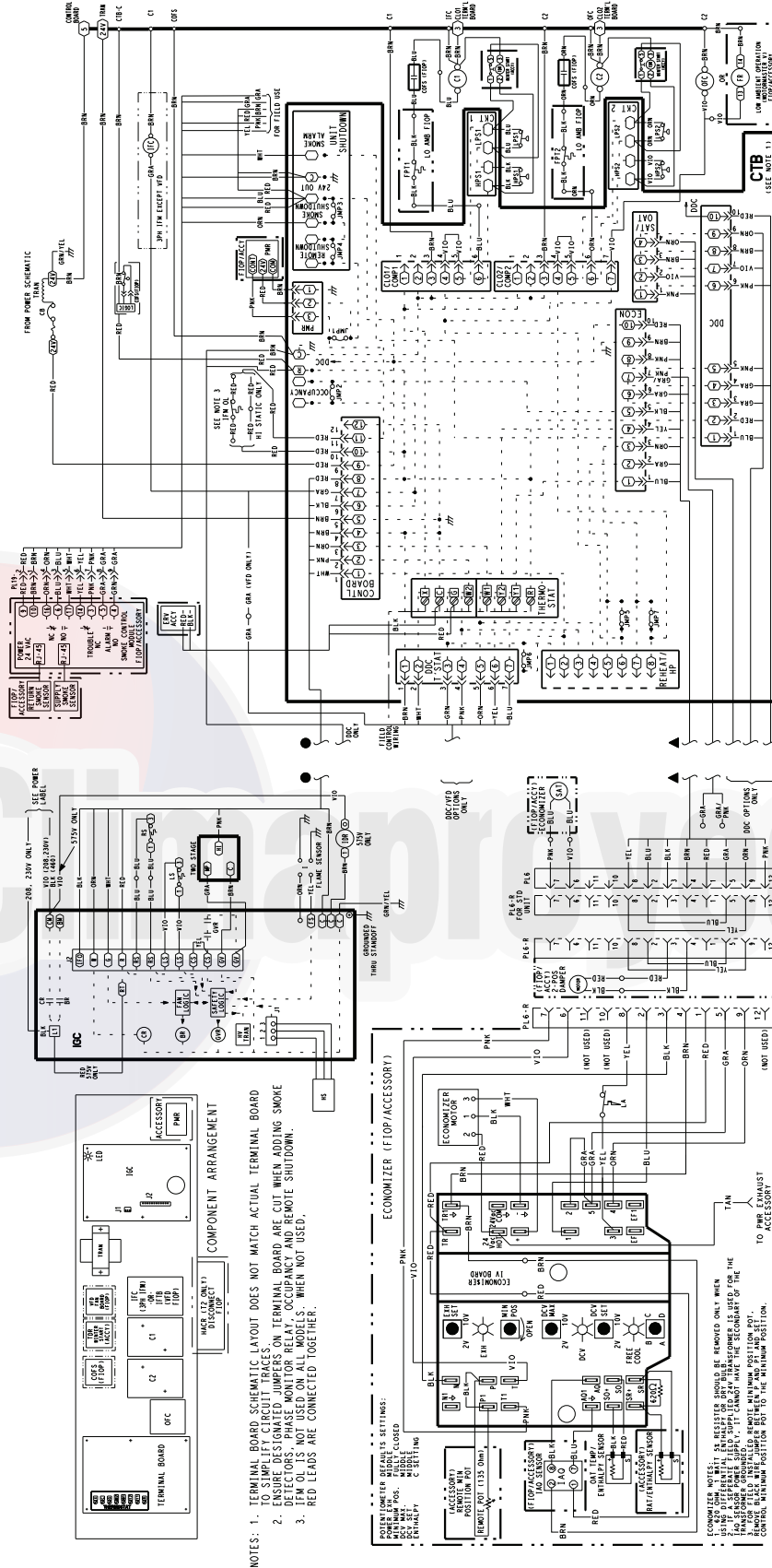


Fig. 78 - 48HC*D08-D09 YAC Control Diagram - 208/230-3060; 460/575-3-60

C14021

APPENDIX IV. WIRING DIAGRAMS

YAC CONTROL 208/230V, 460V, 575V
 12.5TON YAC (2)COMPR T1
 10TON YAC (2)COMPR T2



- NOTES: 1. TERMINAL BOARD SCHEMATIC LAYOUT DOES NOT MATCH ACTUAL TERMINAL BOARD LAYOUT. TO SIMPLIFY CIRCUIT IMAGES ON TERMINAL BOARD, ARE CUT WHEN ADDING SMOKE DETECTORS, PHASE MONITOR, RELAY, OCCUPANCY AND REMOTE SHUTDOWN. 3. IFM OIL IS NOT USED ON ALL MODELS. WHEN NOT USED, RED LEADS ARE CONNECTED TOGETHER.

ECONOMIZER SETTINGS: POWER LOWER (SEE TABLE), MIDDLE (LOAD), MIDDLE (NO LOAD), MIDDLE (NO LOAD), ENHANCE (C) SETTINGS.

ECONOMIZER NOTE: 1. SE RESISTOR SHOULD BE REMOVED ONLY WHEN SETTING A DIFFERENT FIELD SUPPLY SETPOINT. 2. IF THE ECONOMIZER IS USED FOR THE PHASE MONITOR, IT CANNOT HAVE THE SECONDARY OF THE TRANSFORMER. 3. IF THE ECONOMIZER IS USED FOR THE PHASE MONITOR, THE SECONDARY OF THE TRANSFORMER MUST BE SET TO 240V. 4. REMOVE BLACK WIRE OTHER THAN SETPOINT CONTROL, RETURN POSITION FOR TO THE REMOVED POSITION.

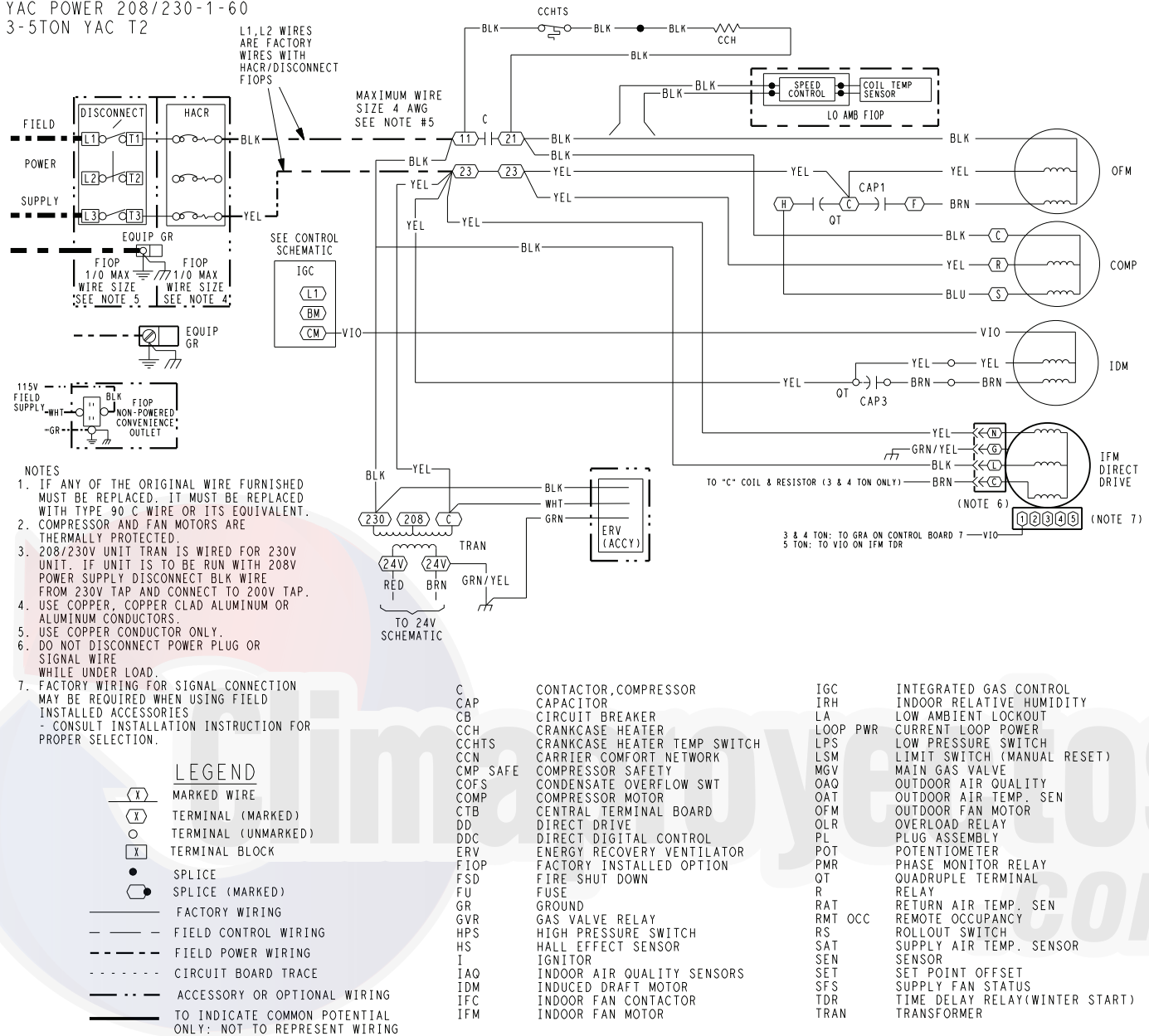
48HSC13131 0

48HC

Fig. 79 - 48HC*D12 YAC Control Diagram - 208/230-3060; 460/575-3-60

APPENDIX IV. WIRING DIAGRAMS

YAC POWER 208/230-1-60
3-5TON YAC T2



48TM502526 F

C14007

Fig. 80 - 48HC* A04-A06 YAC Power Diagram - 230-1-60

APPENDIX IV. WIRING DIAGRAMS

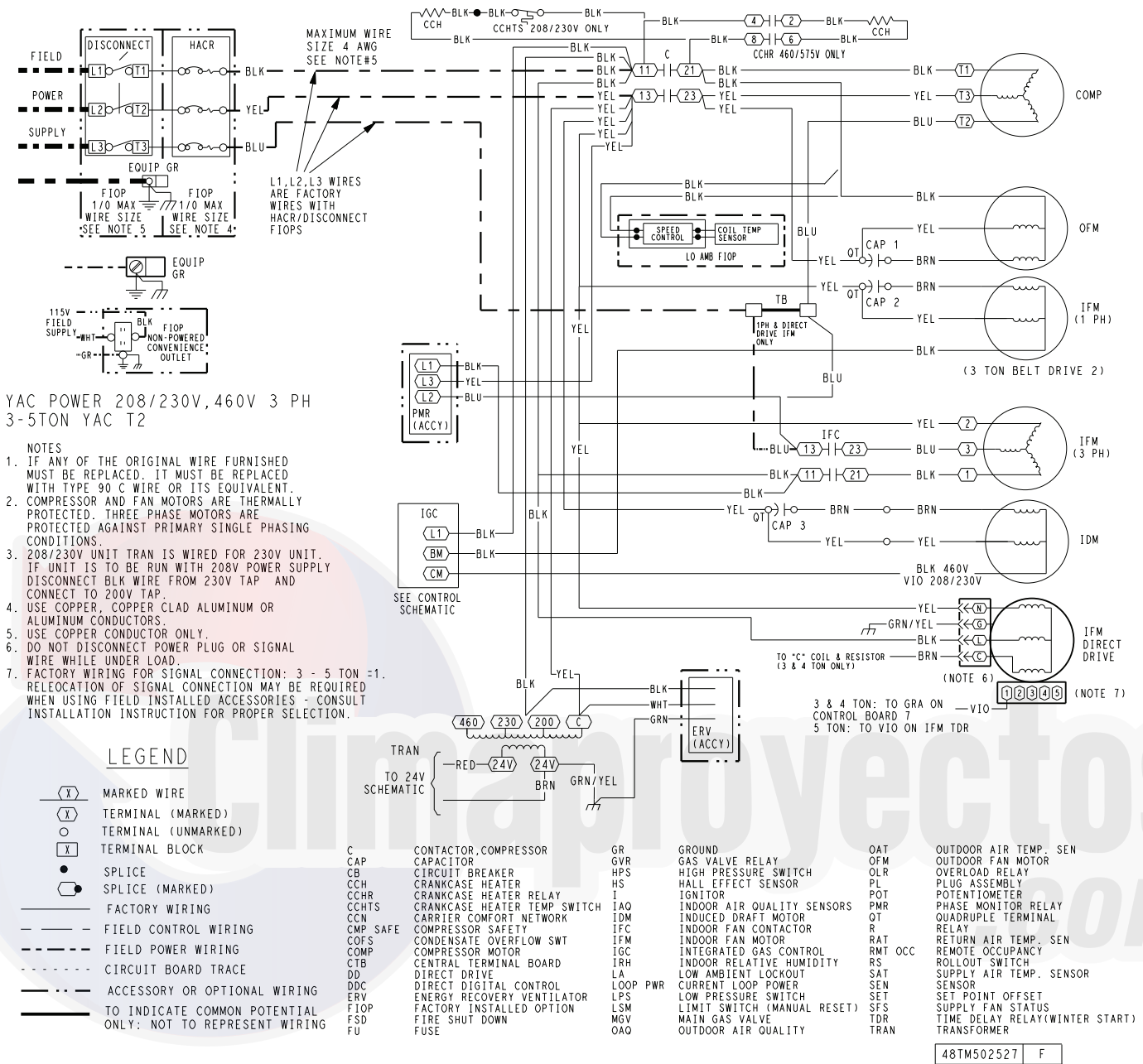


Fig. 81 - 48HC*A04-A06 YAC Power Diagram - 208/230-3-60; 460-3-60

APPENDIX IV. WIRING DIAGRAMS

48HC

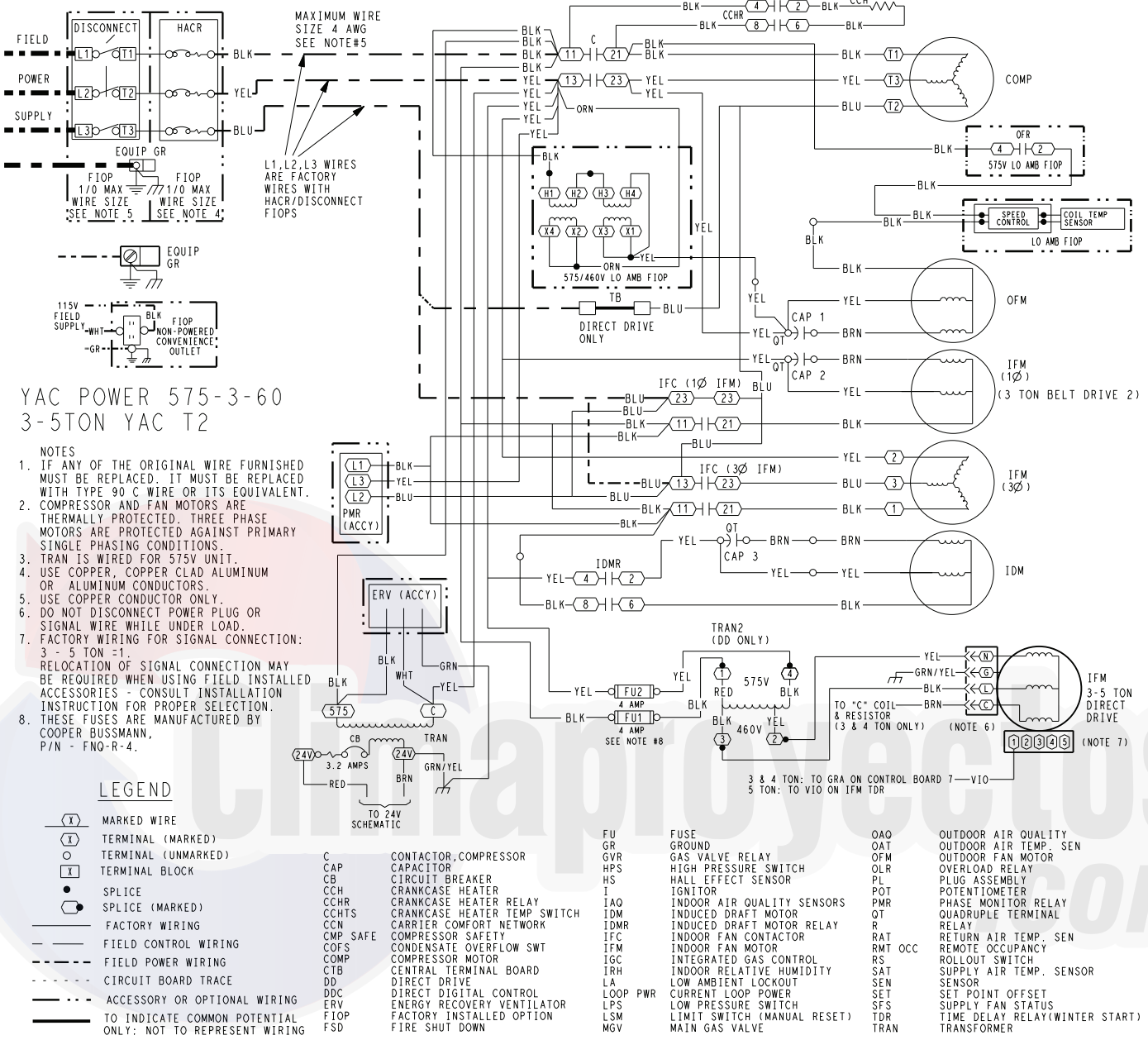


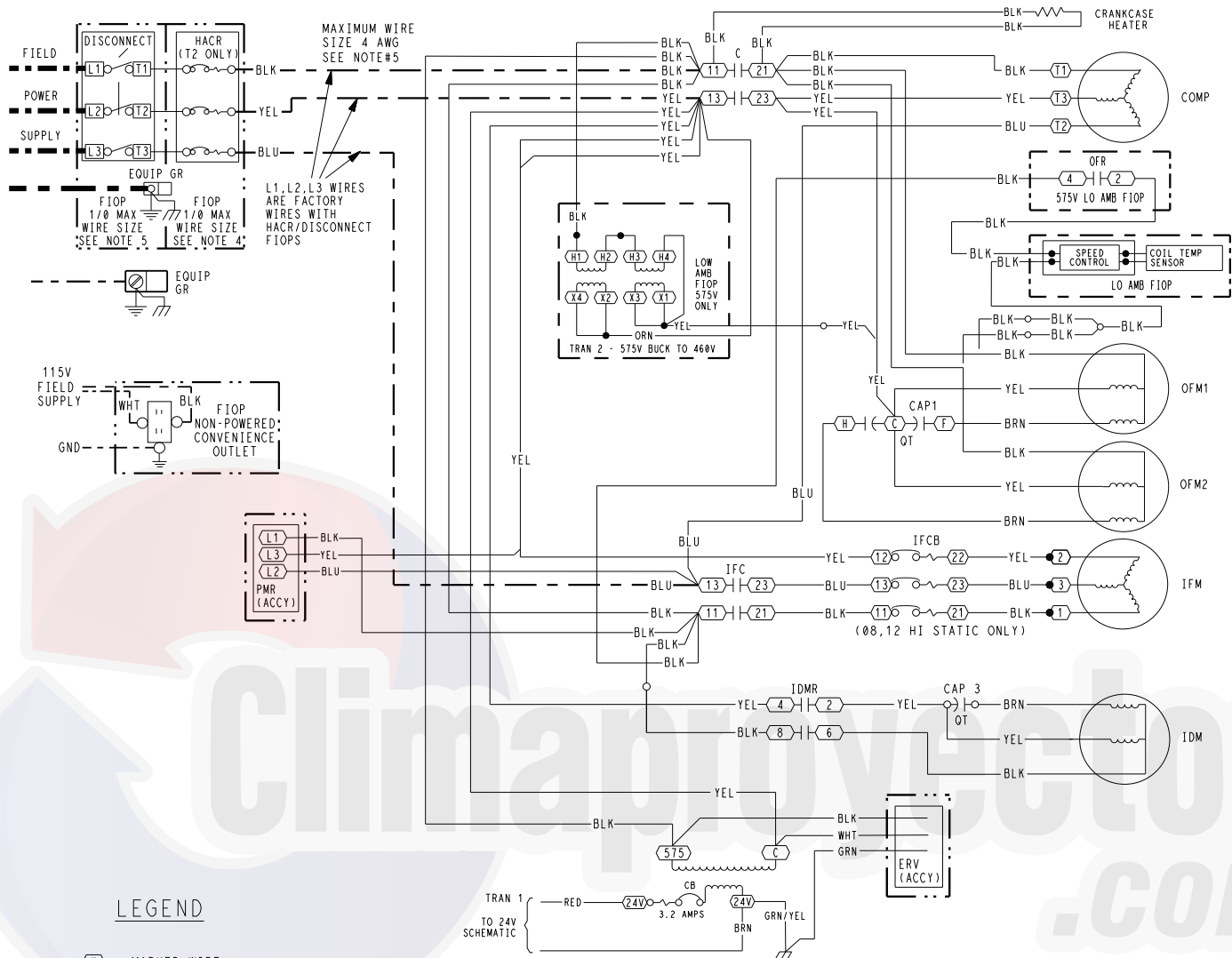
Fig. 82 - 48HC* A04-A06 YAC Power Diagram - 575-3-60

48TM502528 | 6
C14013

APPENDIX IV. WIRING DIAGRAMS

YAC POWER 575-3-60
 7.5-10TON YAC (1)COMPR T1
 6TON YAC (1)COMPR T2

48HC



LEGEND

- (X) MARKED WIRE
- (X) TERMINAL (MARKED)
- (O) TERMINAL (UNMARKED)
- (X) TERMINAL BLOCK
- SPLICE
- SPLICE (MARKED)
- FACTORY WIRING
- - - FIELD CONTROL WIRING
- - - FIELD POWER WIRING
- - - CIRCUIT BOARD TRACE
- - - ACCESSORY OR OPTIONAL WIRING
- TO INDICATE COMMON POTENTIAL ONLY: NOT TO REPRESENT WIRING

NOTES:

- IF ANY OF THE ORIGINAL WIRE FURNISHED MUST BE REPLACED, IT MUST BE REPLACED WITH TYPE 90 C WIRE OR ITS EQUIVALENT.
- COMPRESSOR AND FAN MOTORS ARE THERMALLY PROTECTED. THREE PHASE MOTORS ARE PROTECTED AGAINST PRIMARY SINGLE PHASING CONDITIONS.
- TRAN IS WIRED FOR 575V UNIT.
- USE COPPER, COPPER CLAD ALUMINUM OR ALUMINUM CONDUCTORS.
- USE COPPER CONDUCTOR ONLY.

- | | | | |
|----------|-----------------------------|---------|--------------------------------|
| C | CONTACTOR, COMPRESSOR | MGV | MAIN GAS VALVE |
| CAP | CAPACITOR | OAO | OUTDOOR AIR QUALITY |
| CB | CIRCUIT BREAKER | OAT | OUTDOOR AIR TEMP. SEN |
| CCH | CRANKCASE HEATER | OFM | OUTDOOR FAN MOTOR |
| CCN | CARRIER COMFORT NETWORK | OL | OVERLOAD |
| CMP SAFE | COMPRESSOR SAFFETY | PL | PLUG ASSEMBLY |
| COFS | CONDENSATE OVERFLOW SWT | POT | POTENTIOMETER |
| COMP | COMPRESSOR MOTOR | PMR | PHASE MONITOR RELAY |
| CTB | CENTRAL TERMINAL BOARD | QT | QUADRUPLE TERMINAL |
| DDC | DIRECT DIGITAL CONTROL | R | RELAY |
| ERV | ENERGY RECOVERY VENTILATOR | RAT | RETURN AIR TEMP. SEN |
| FIOP | FACTORY INSTALLED OPTION | RMT OCC | REMOTE OCCUPANCY |
| FSD | FIRE SHUT DOWN | RS | ROLLOUT SWITCH |
| FU | FUSE | SAT | SUPPLY AIR TEMP. SENSOR |
| GND | GROUND | SEN | SENSOR |
| GVR | GAS VALVE RELAY | SET | SET POINT OFFSET |
| HPS | HIGH PRESSURE SWITCH | SFS | SUPPLY FAN STATUS |
| HS | HALL EFFECT SENSOR | TDR | TIME DELAY RELAY(WINTER START) |
| I | IGNITOR | TRAN | TRANSFORMER |
| IAQ | INDOOR AIR QUALITY SENSORS | | |
| IDMR | INDUCED DRAFT MOTOR RELAY | | |
| IFC | INDOOR FAN CONTACTOR | | |
| IFCB | INDOOR FAN CIRCUIT BREAKER | | |
| IFTB | INDOOR FAN TERMINAL BLOCK | | |
| IFM | INDOOR FAN MOTOR | | |
| IGC | INTEGRATED GAS CONTROL | | |
| IRH | INDOOR RELATIVE HUMIDITY | | |
| LA | LOW AMBIENT LOCKOUT | | |
| LOOP PWR | CURRENT LOOP POWER | | |
| LPS | LOW PRESSURE SWITCH | | |
| LSM | LIMIT SWITCH (MANUAL RESET) | | |

48TM500804 0

C14019

APPENDIX IV. WIRING DIAGRAMS

YAC POWER 208/230V, 460V 3 PH
 7.5-10TON YAC (2)COMPR T1
 7.5-8.5TON YAC (2)COMPR T2

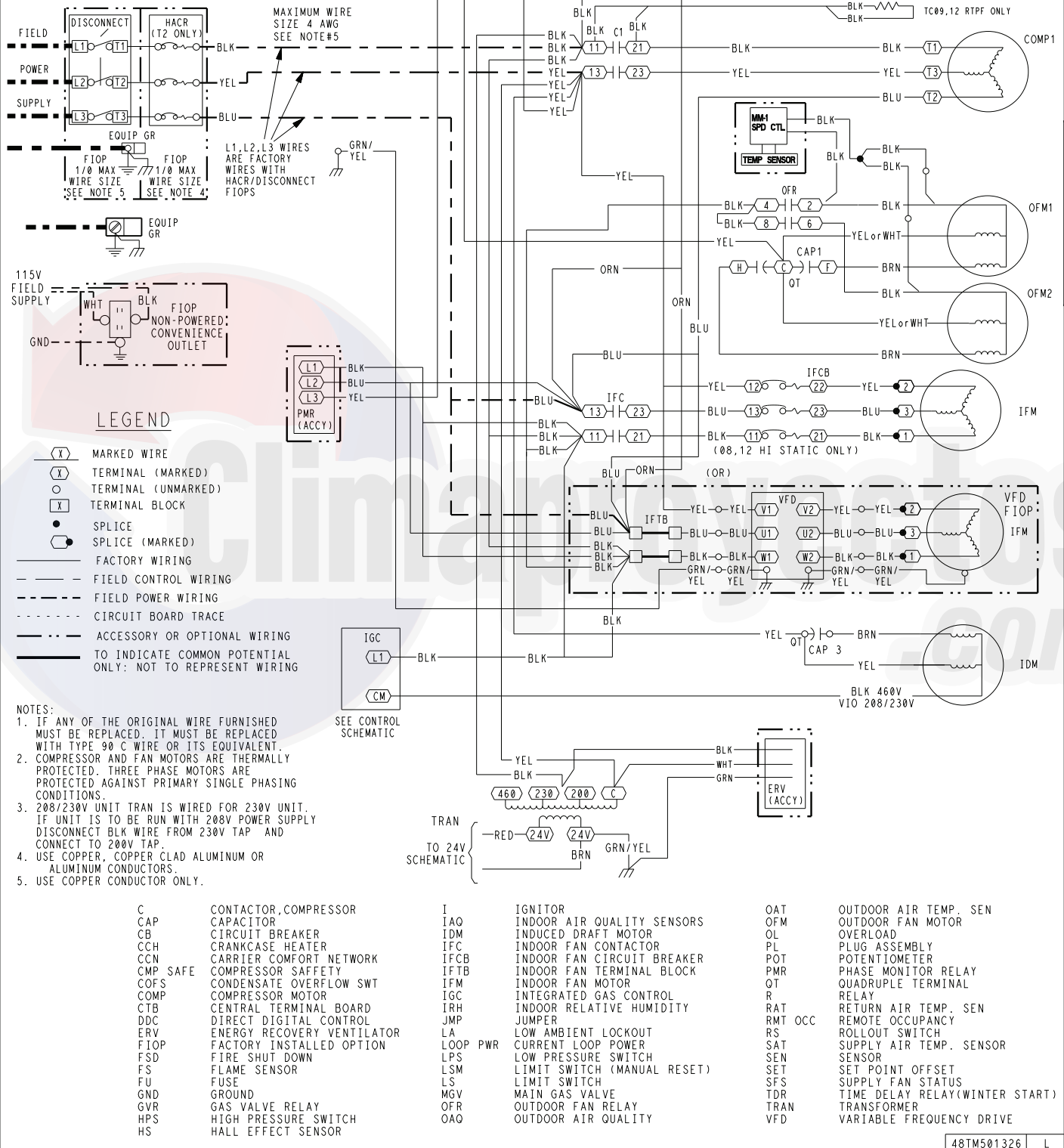


Fig. 83 - 48HC*D08-D09 YAC Power Diagram - 230/460-3-60

C13484

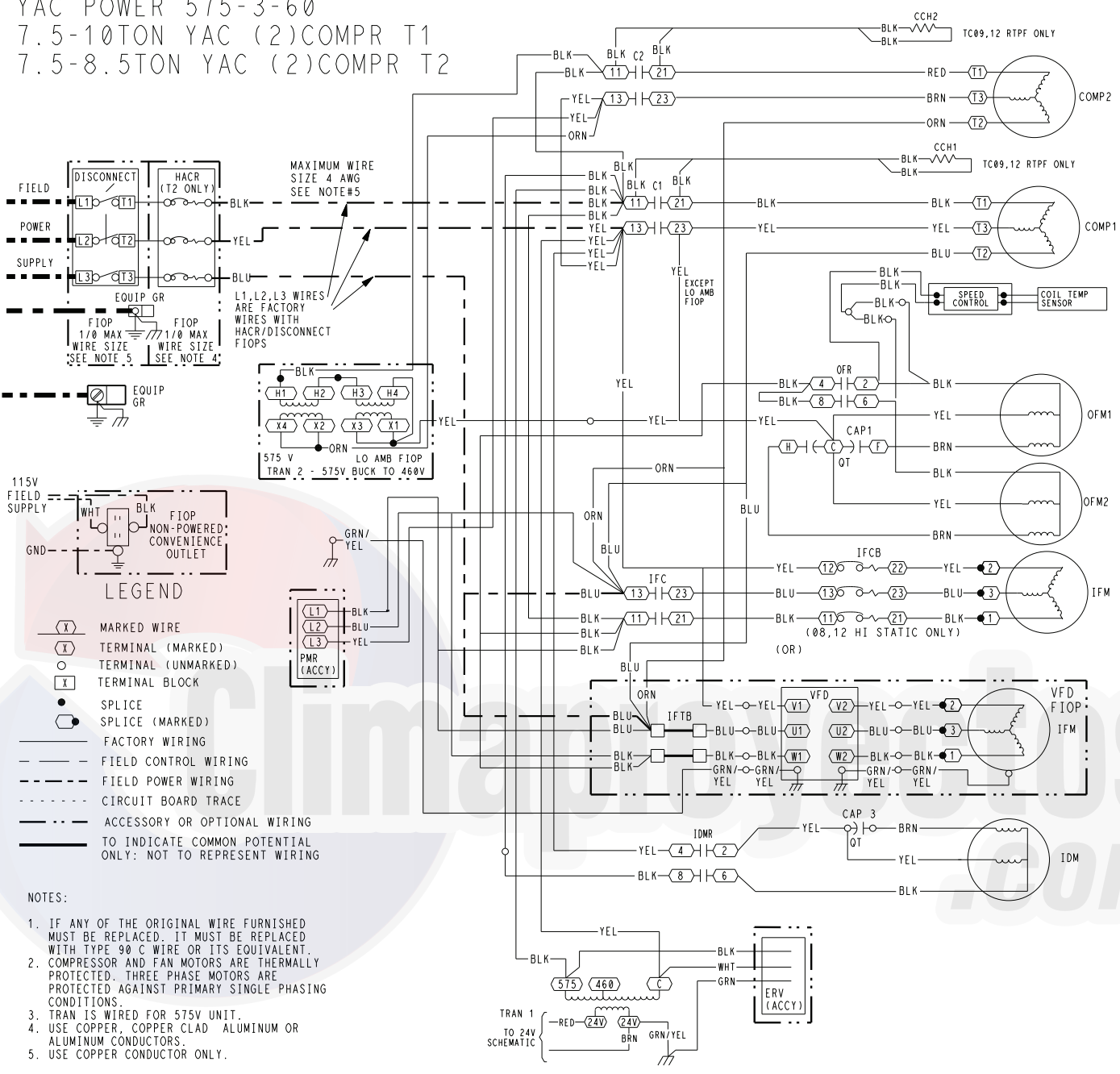
48HC

48TM501326 L

APPENDIX IV. WIRING DIAGRAMS

YAC POWER 575-3-60
 7.5-10TON YAC (2)COMPR T1
 7.5-8.5TON YAC (2)COMPR T2

48HC



NOTES:

1. IF ANY OF THE ORIGINAL WIRE FURNISHED MUST BE REPLACED, IT MUST BE REPLACED WITH TYPE 90 C WIRE OR ITS EQUIVALENT.
2. COMPRESSOR AND FAN MOTORS ARE THERMALLY PROTECTED. THREE PHASE MOTORS ARE PROTECTED AGAINST PRIMARY SINGLE PHASING CONDITIONS.
3. TRAN IS WIRED FOR 575V UNIT.
4. USE COPPER, COPPER CLAD ALUMINUM OR ALUMINUM CONDUCTORS.
5. USE COPPER CONDUCTOR ONLY.

C	CONTACTOR, COMPRESSOR
CAP	CAPACITOR
CB	CIRCUIT BREAKER
CCH	CRANKCASE HEATER
CCN	CARRIER COMFORT NETWORK
CMP SAFE	COMPRESSOR SAFETY
COFS	CONDENSATE OVERFLOW SWT
COMP	COMPRESSOR MOTOR
CTB	CENTRAL TERMINAL BOARD
DDC	DIRECT DIGITAL CONTROL
ERV	ENERGY RECOVERY VENTILATOR
FIOP	FACTORY INSTALLED OPTION
FS	FLAME SENSOR
FSD	FIRE SHUT DOWN
FU	FUSE
GND	GROUND
GVR	GAS VALVE RELAY
HPS	HIGH PRESSURE SWITCH
HS	HALL EFFECT SENSOR

I	IGNITOR
IAQ	INDOOR AIR QUALITY SENSORS
IDM	INDUCED DRAFT MOTOR
IDMR	INDUCED DRAFT MOTOR RELAY
IFC	INDOOR FAN CONTACTOR
IFCB	INDOOR FAN CIRCUIT BREAKER
IFTB	INDOOR FAN TERMINAL BLOCK
IFM	INDOOR FAN MOTOR
IGC	INTEGRATED GAS CONTROL
IRH	INDOOR RELATIVE HUMIDITY
LA	LOW AMBIENT LOCKOUT
LA PWR	CURRENT LOOP POWER
LPS	LOW PRESSURE SWITCH
LS	LIMIT SWITCH
LSM	LIMIT SWITCH (MANUAL RESET)
MGV	MAIN GAS VALVE
OFR	OUTDOOR FAN RELAY
OAO	OUTDOOR AIR QUALITY
OAT	OUTDOOR AIR TEMP. SEN

OFM	OUTDOOR FAN MOTOR
OFR	OUTDOOR FAN RELAY
OL	OVERLOAD
PL	PLUG ASSEMBLY
POT	POTENTIOMETER
PMR	PHASE MONITOR RELAY
QT	QUADRUPLE TERMINAL
R	RELAY
RAT	RETURN AIR TEMP. SEN
RMT OCC	REMOTE OCCUPANCY
RS	ROLLOUT SWITCH
SAT	SUPPLY AIR TEMP. SENSOR
SEN	SENSOR
SET	SET POINT OFFSET
SFS	SUPPLY FAN STATUS
TDR	TIME DELAY RELAY(WINTER START)
TRAN	TRANSFORMER
VFD	VARIABLE FREQUENCY DRIVE

48TM501327 N

C14024

Fig. 84 - 48HC*D08-D09 YAC Power Diagram - 575-3-60

APPENDIX IV. WIRING DIAGRAMS

YAC POWER 208/230V, 460V 3 PH
 12.5TON YAC (2)COMPR T1
 10TON YAC (2)COMPR T2

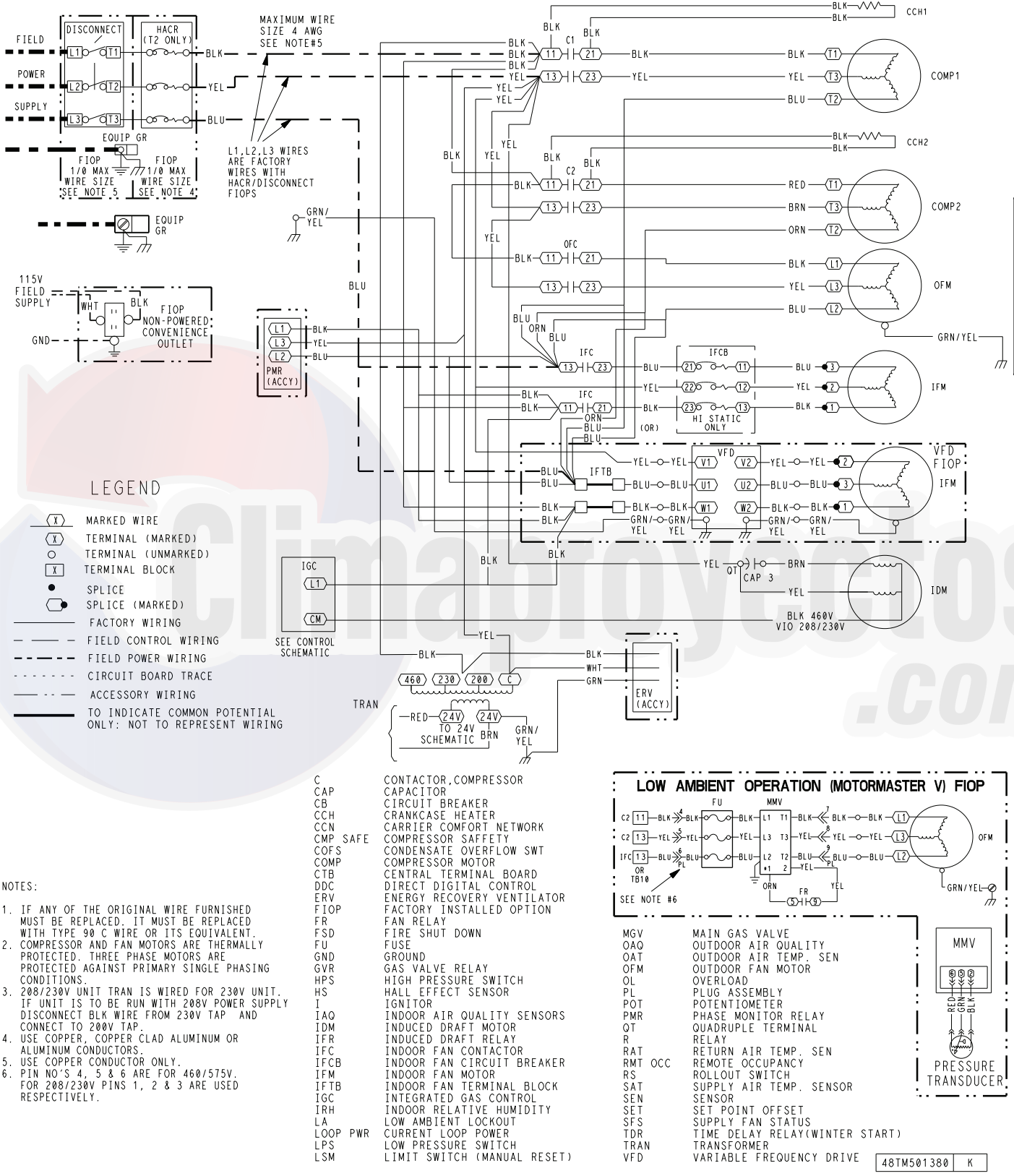


Fig. 85 - 48HC*D12 YAC Power Diagram - 230/460-3-60

C14027

48HC

APPENDIX IV. WIRING DIAGRAMS

YAC POWER 575V 3 PH
12.5TON YAC (2)COMPR T1
10TON YAC (2)COMPR T2

48HC

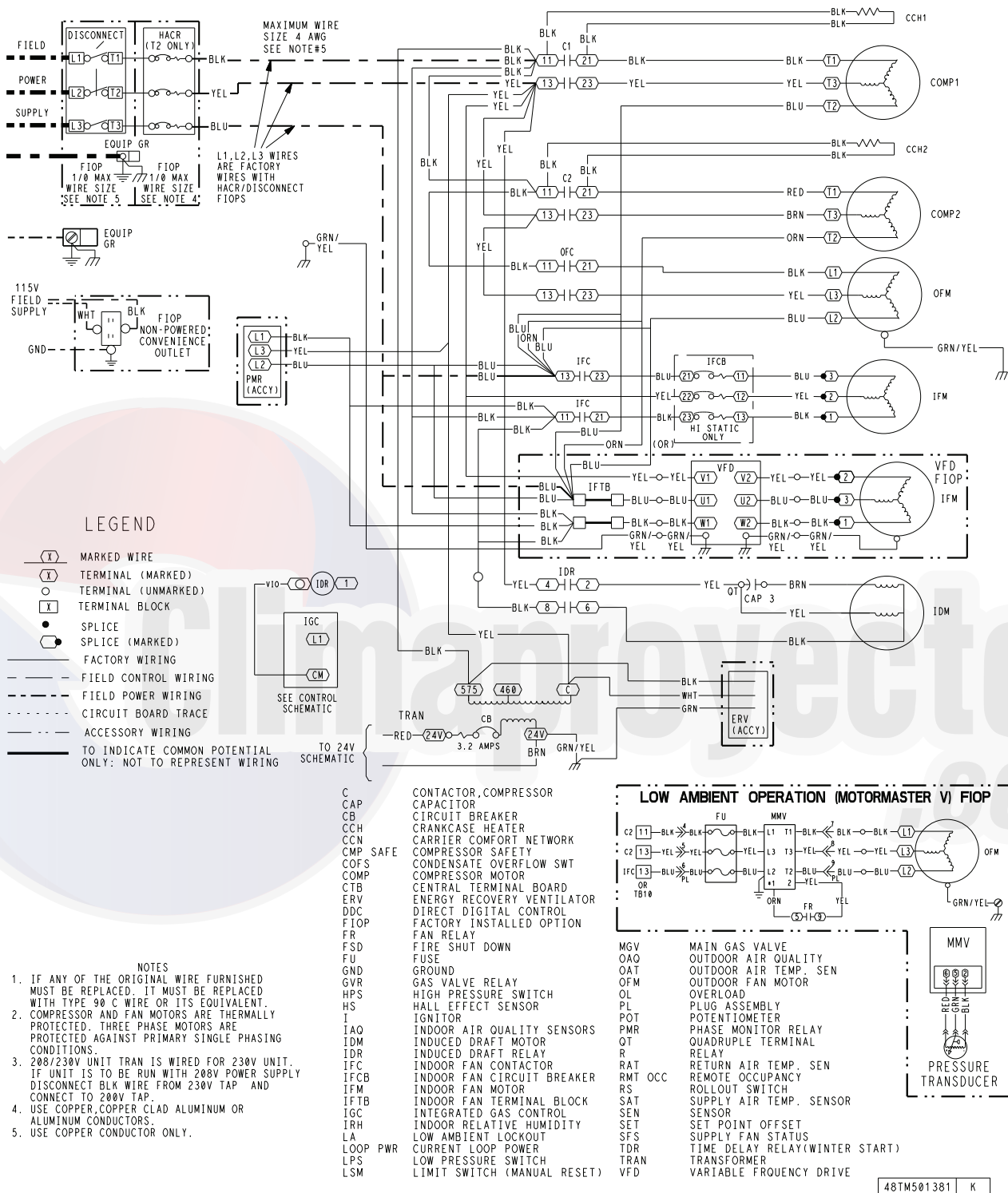


Fig. 86 - 48HC*D12 YAC Power Diagram - 575-3-60

C14029

APPENDIX IV. WIRING DIAGRAMS

MID TIER YAC CONTROL 208/230V, 460V, 575V
3 OFM DUAL COMPRESSOR

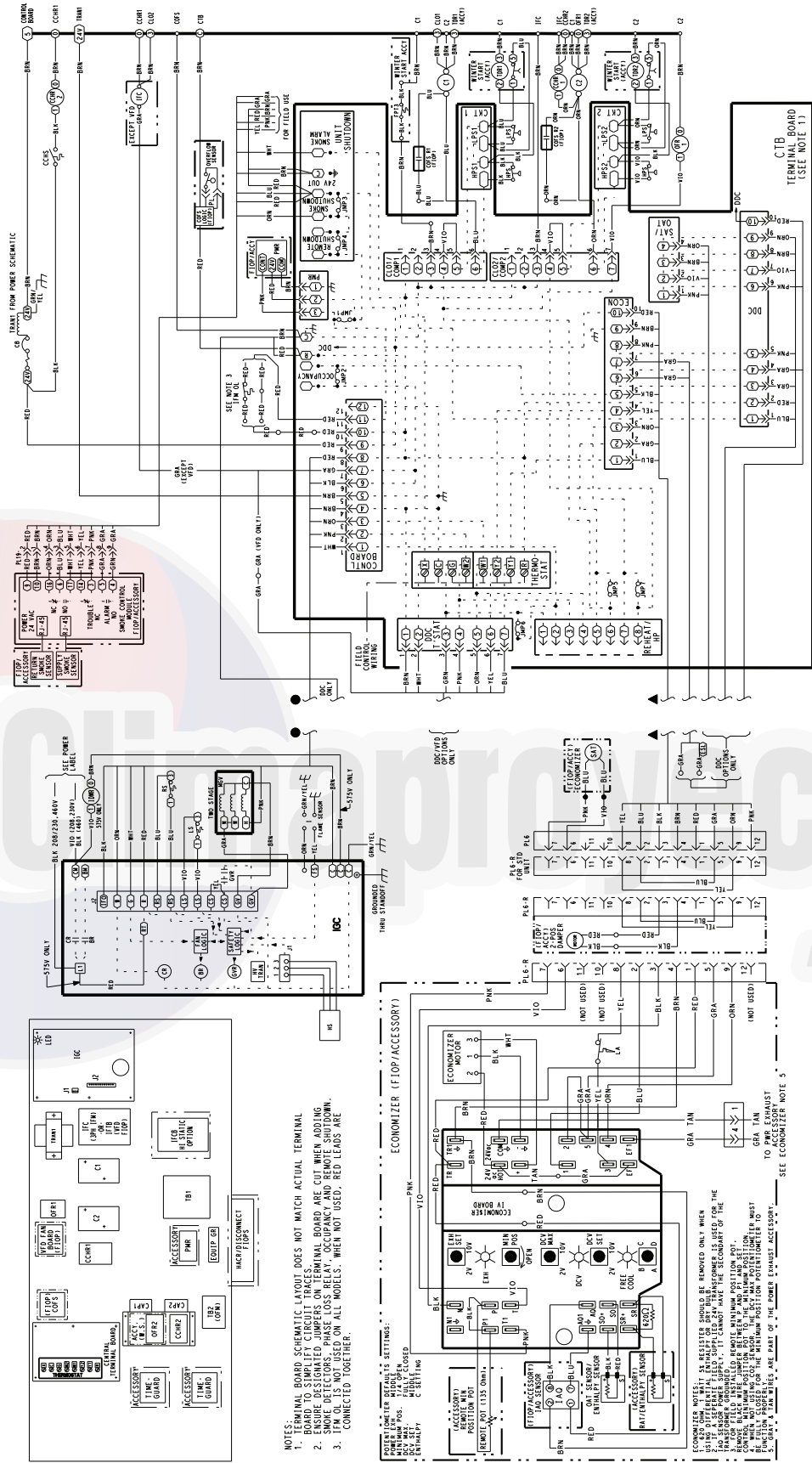


Fig. 87 - 48HC*D14 YAC Control Diagram - 208/230-3-60; 460/575-3-60

C14031

48HC

APPENDIX IV. WIRING DIAGRAMS

48HC

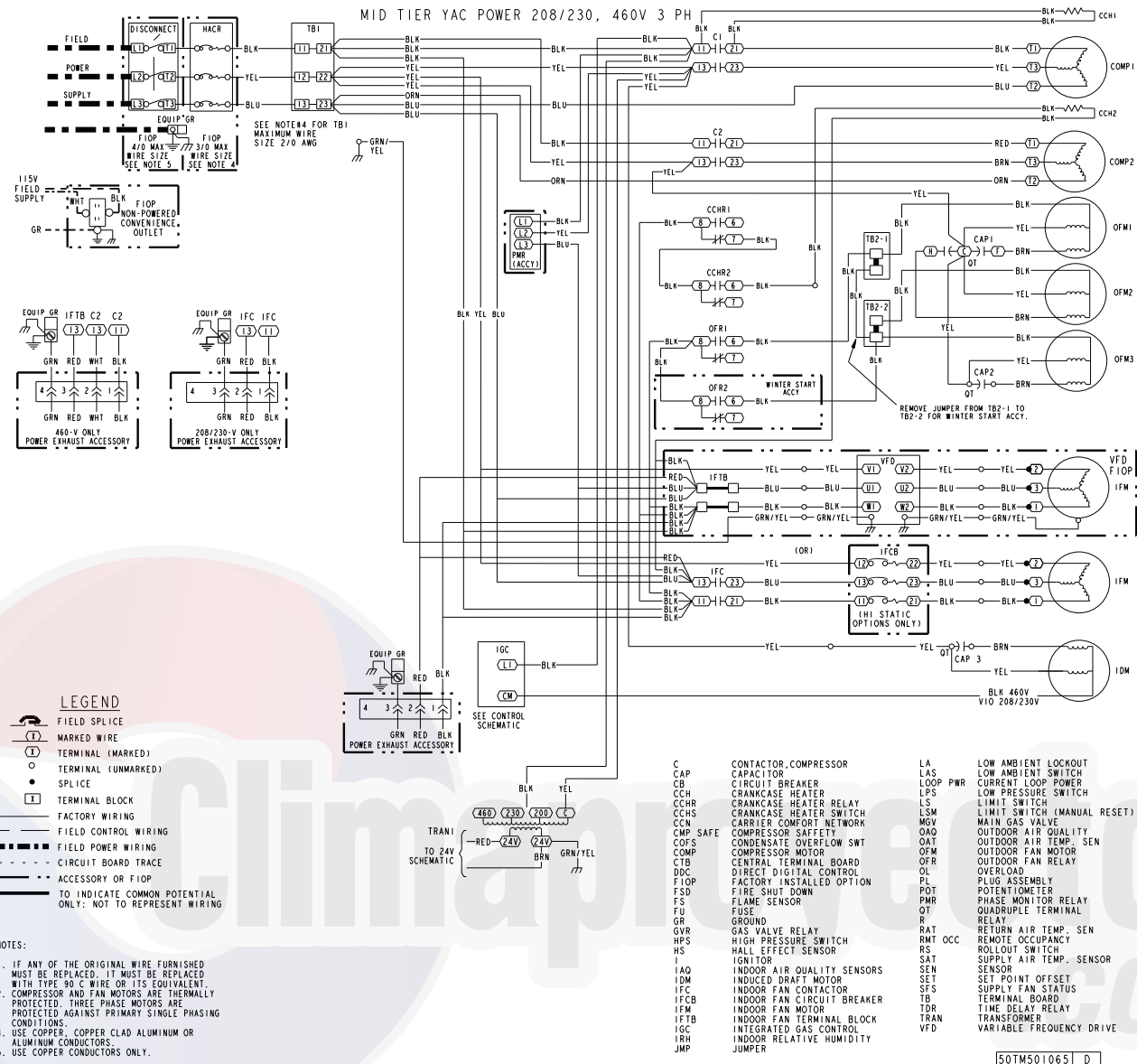


Fig. 88 - 48HC*D14 YAC Power Diagram - 230/460-3-60

C14032

APPENDIX IV. WIRING DIAGRAMS

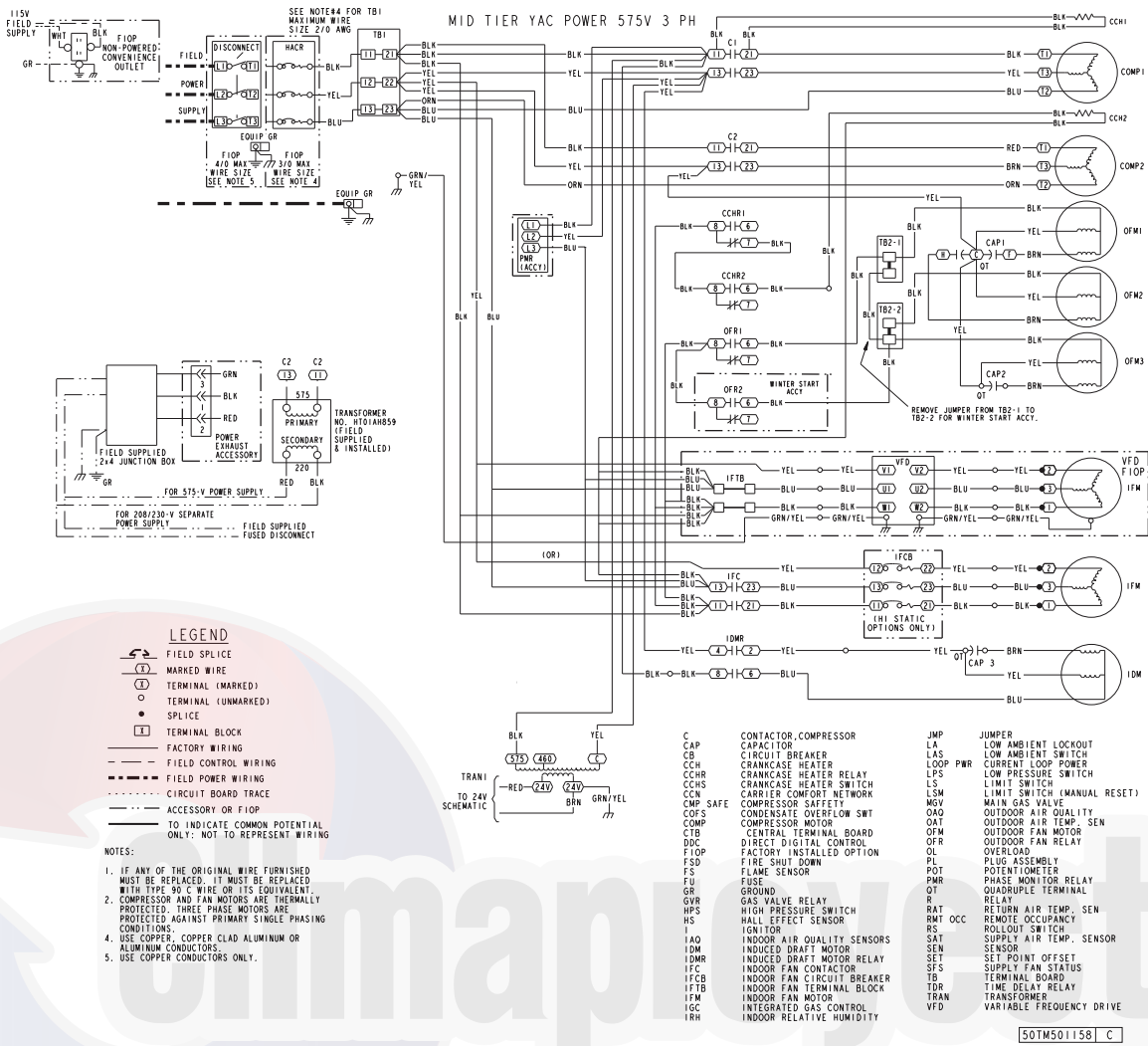
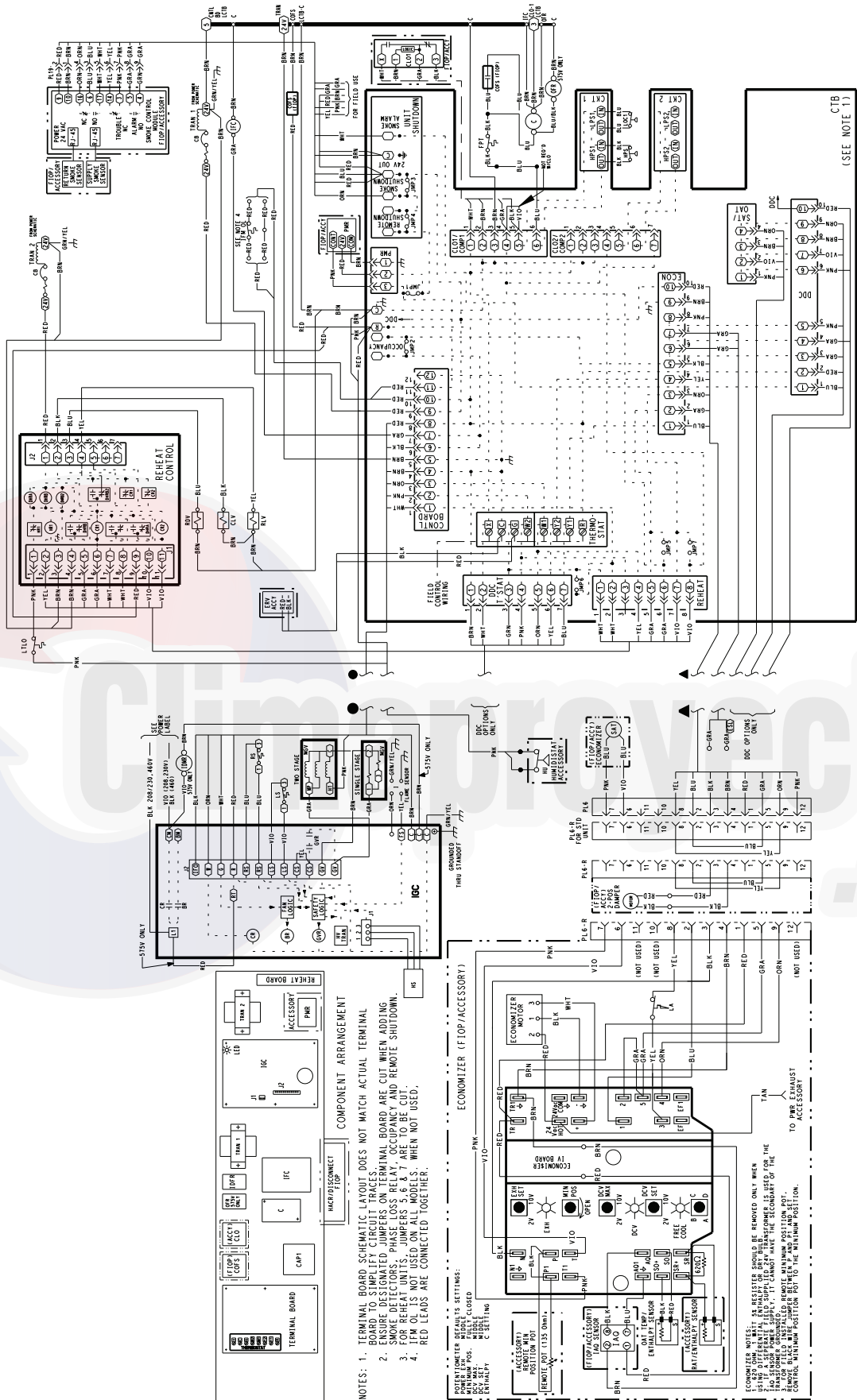


Fig. 89 - 48HC*D14 YAC Power Diagram - 575-3-60

C12462

48HC

APPENDIX IV. WIRING DIAGRAMS



YAC CONTROL 208/230V, 460V, 575V 6 TON MID TIER W/DEHUMIDIFICATION (SEE NOTE 1)

48HC

Fig. 91 - 48HC* A07 YAC Control Diagram - 230-1-60; 230/460/575-3-60 with Humidi-MiZer™

APPENDIX IV. WIRING DIAGRAMS

48HC

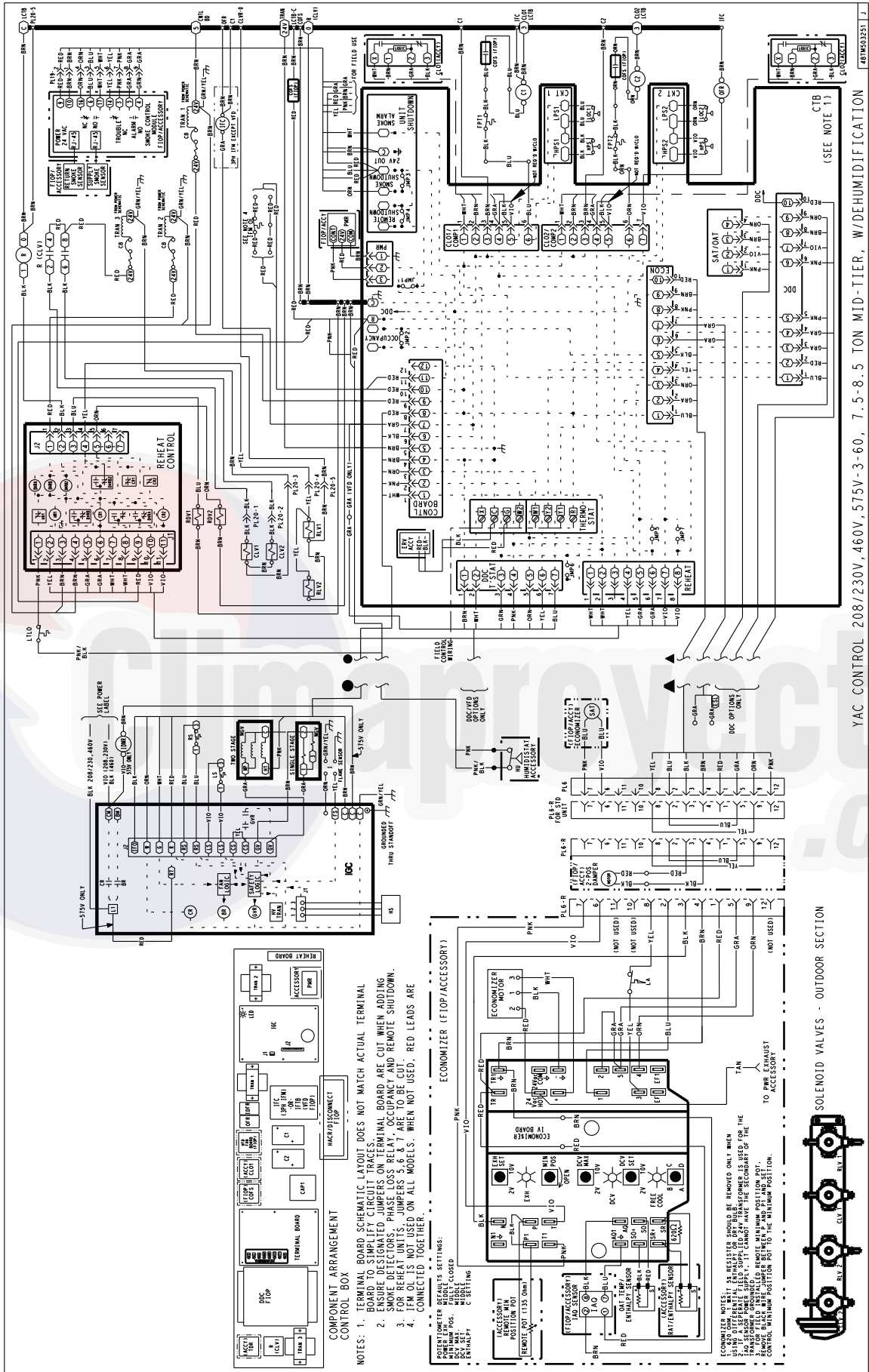


Fig. 92 - 48HC*D08-D09 YAC Control Diagram - 230/460/575-3-60 with Humidi-MiZer™

C14022

APPENDIX IV. WIRING DIAGRAMS

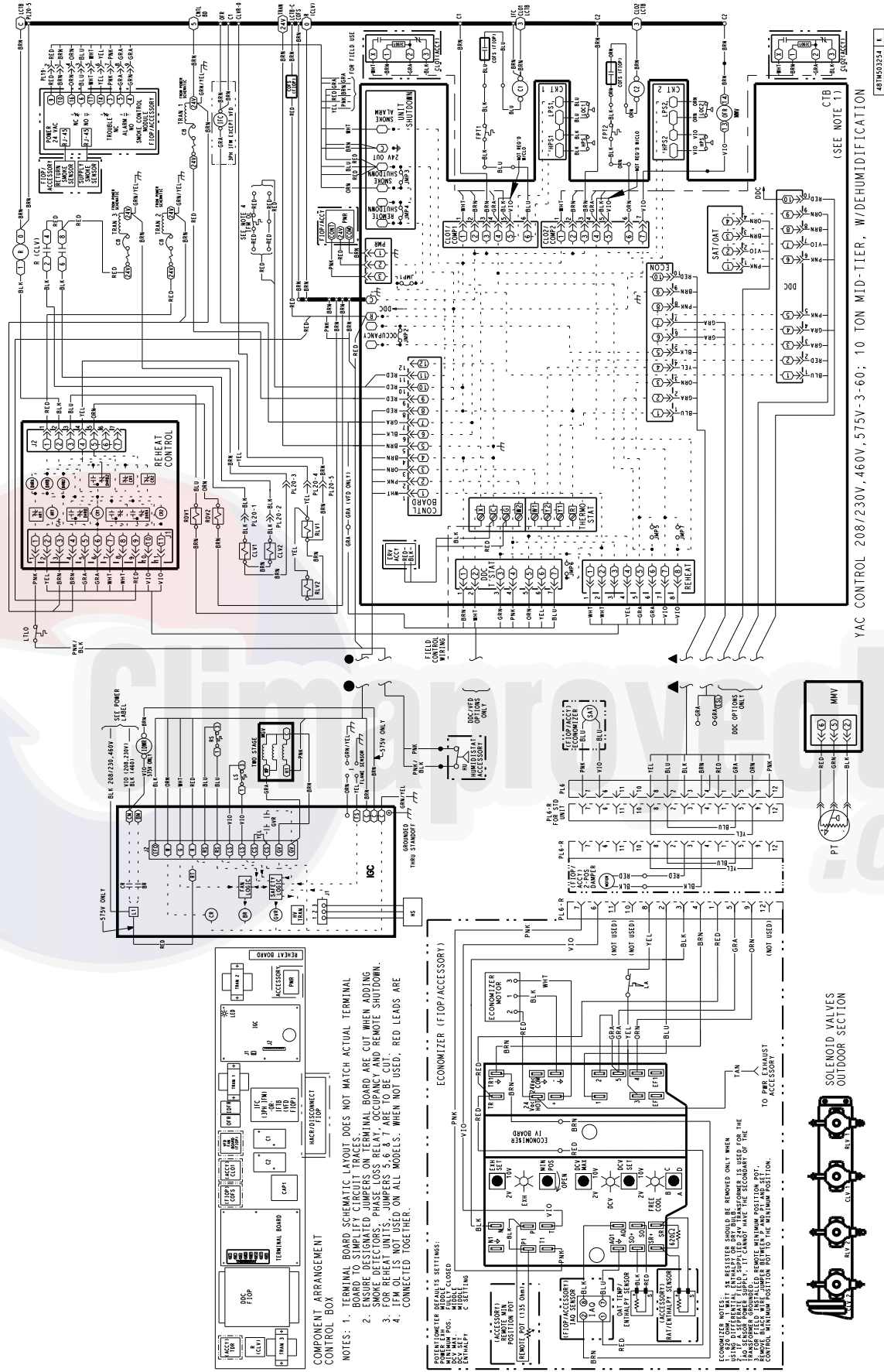


Fig. 93 - 48HC* D12 YAC Control Diagram - 230/460/575-3-60 with Humidi-MiZer™

48HC

APPENDIX IV. WIRING DIAGRAMS

YAC POWER 208/230-1-60 HGRH
3-5-TON YAC REHEAT T2

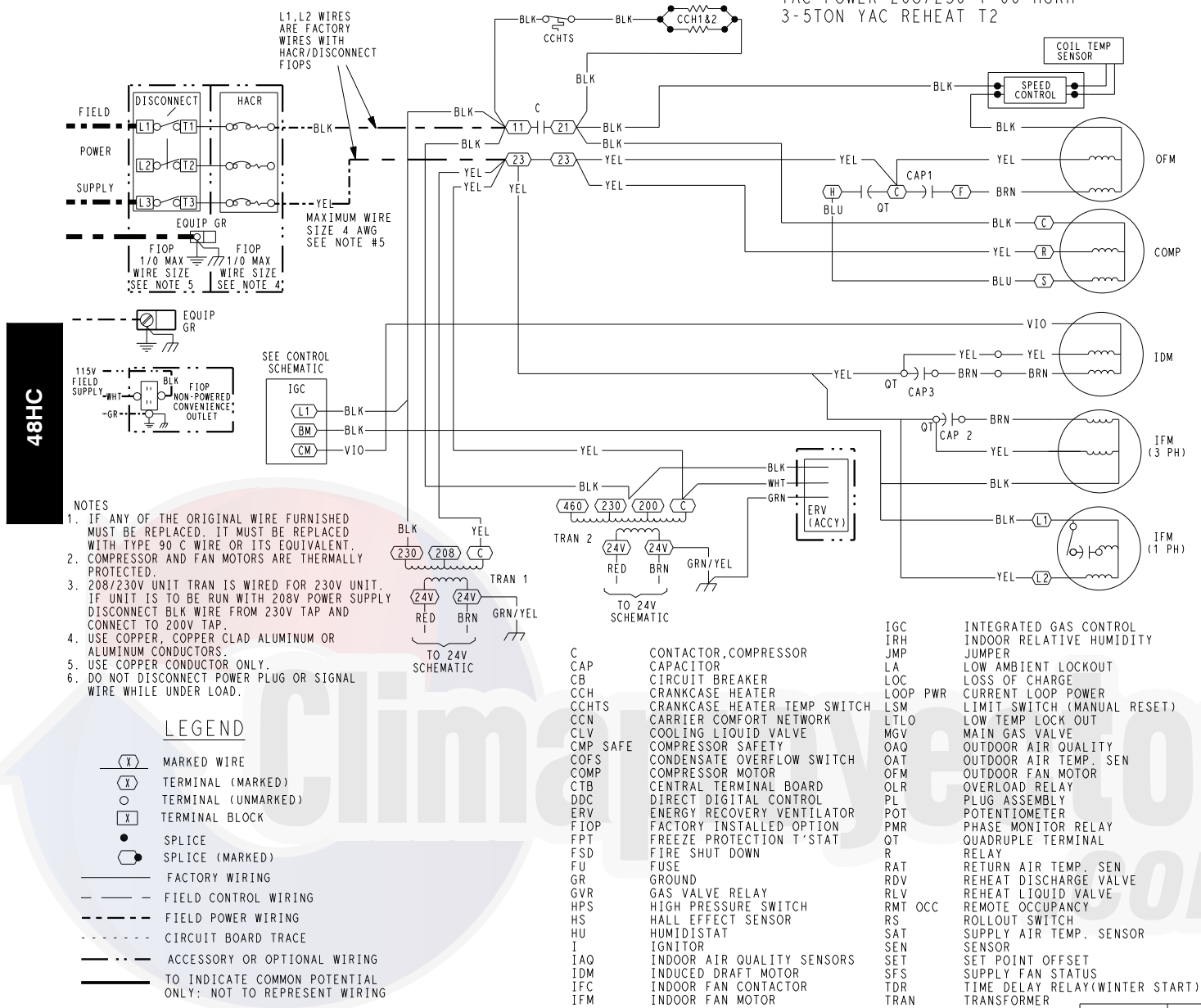


Fig. 94 - 48HC* A04-A06 YAC Power Diagram - 230-1-60 with Humidi-MiZer™

48TM503099 H

C14009

APPENDIX IV. WIRING DIAGRAMS

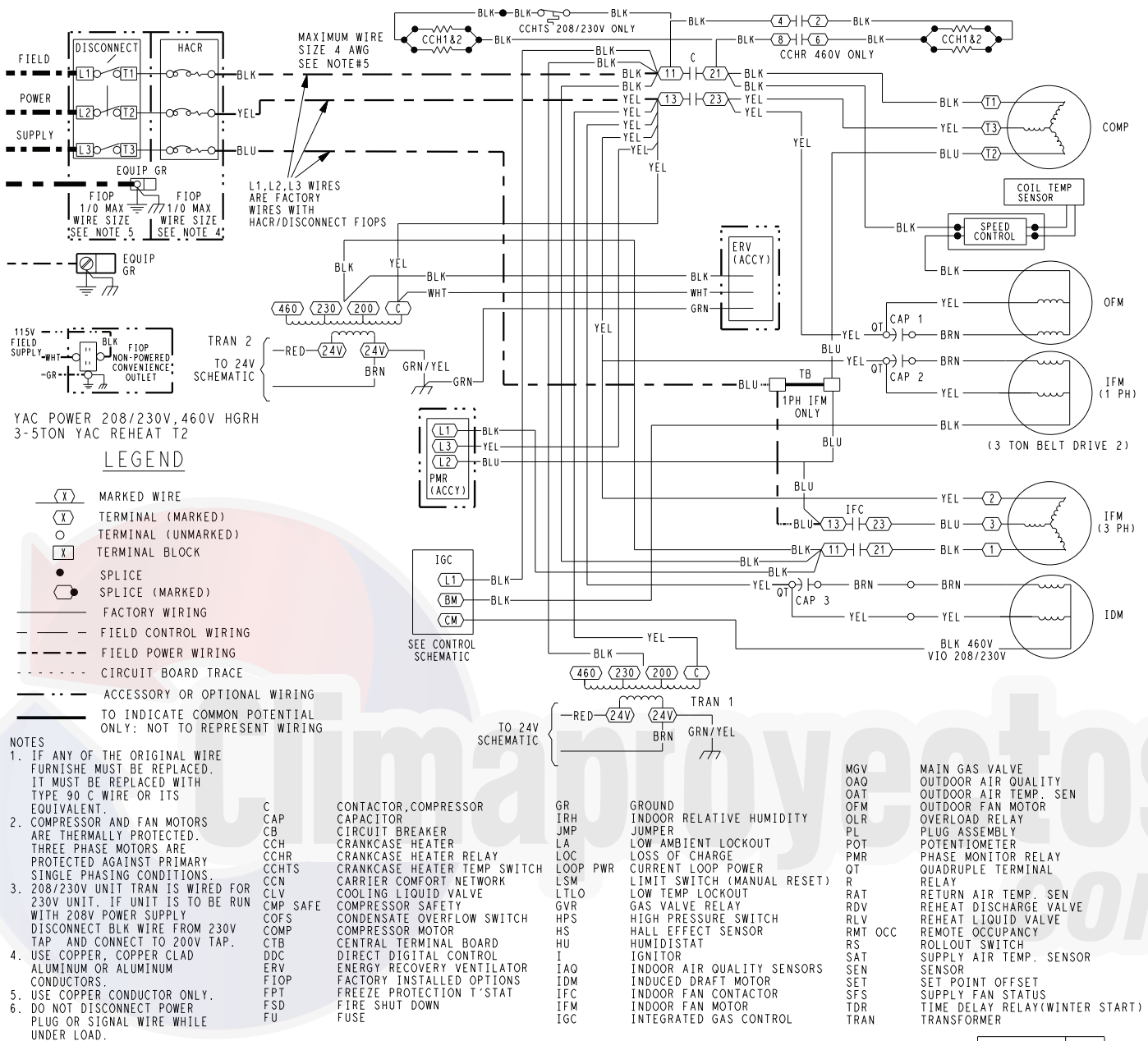


Fig. 95 - 48HC* A04-A06 YAC Power Diagram - 230/460-3-60 with Humidi-MiZer™

C14012

48HC

APPENDIX IV. WIRING DIAGRAMS

48HC

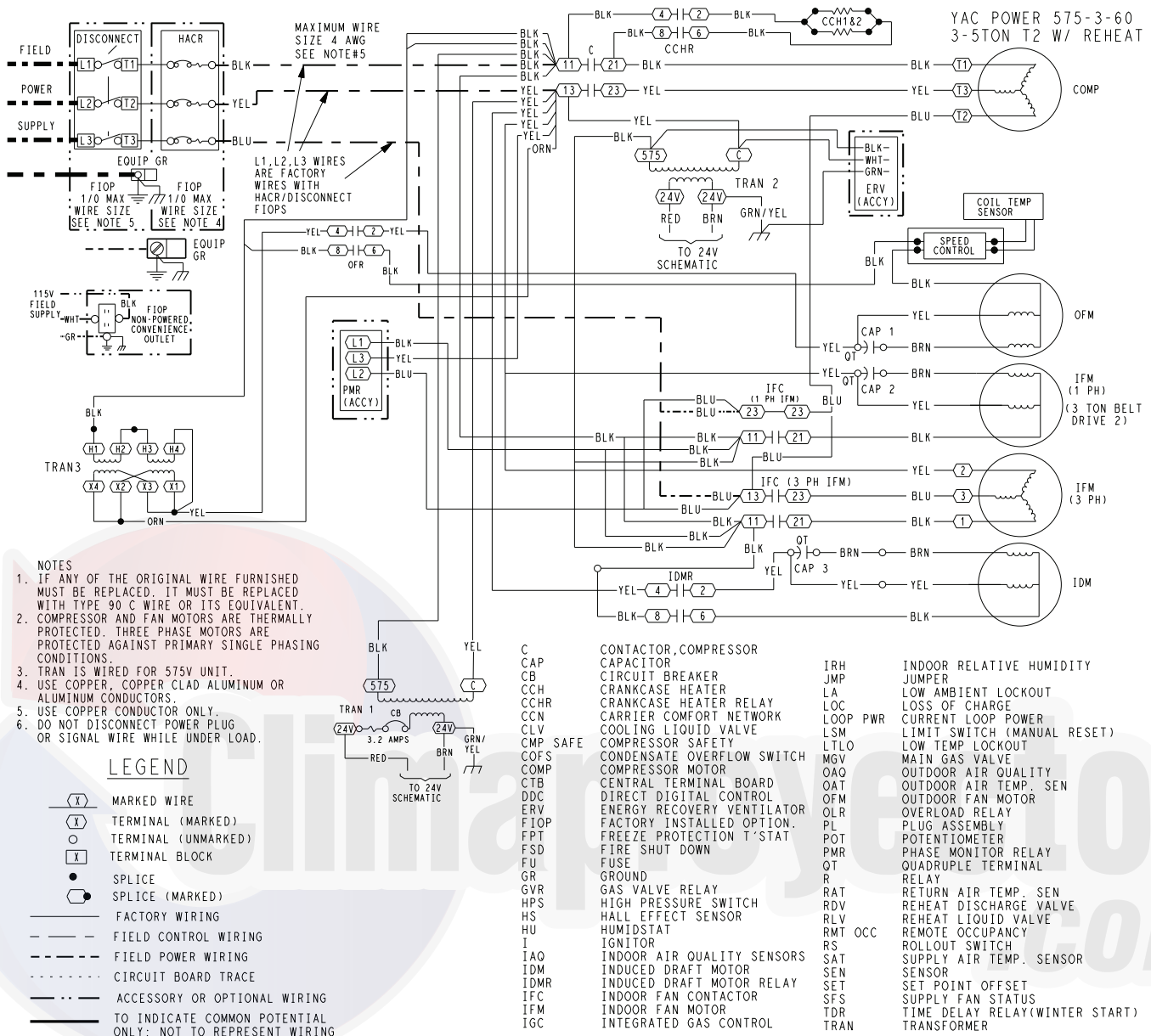


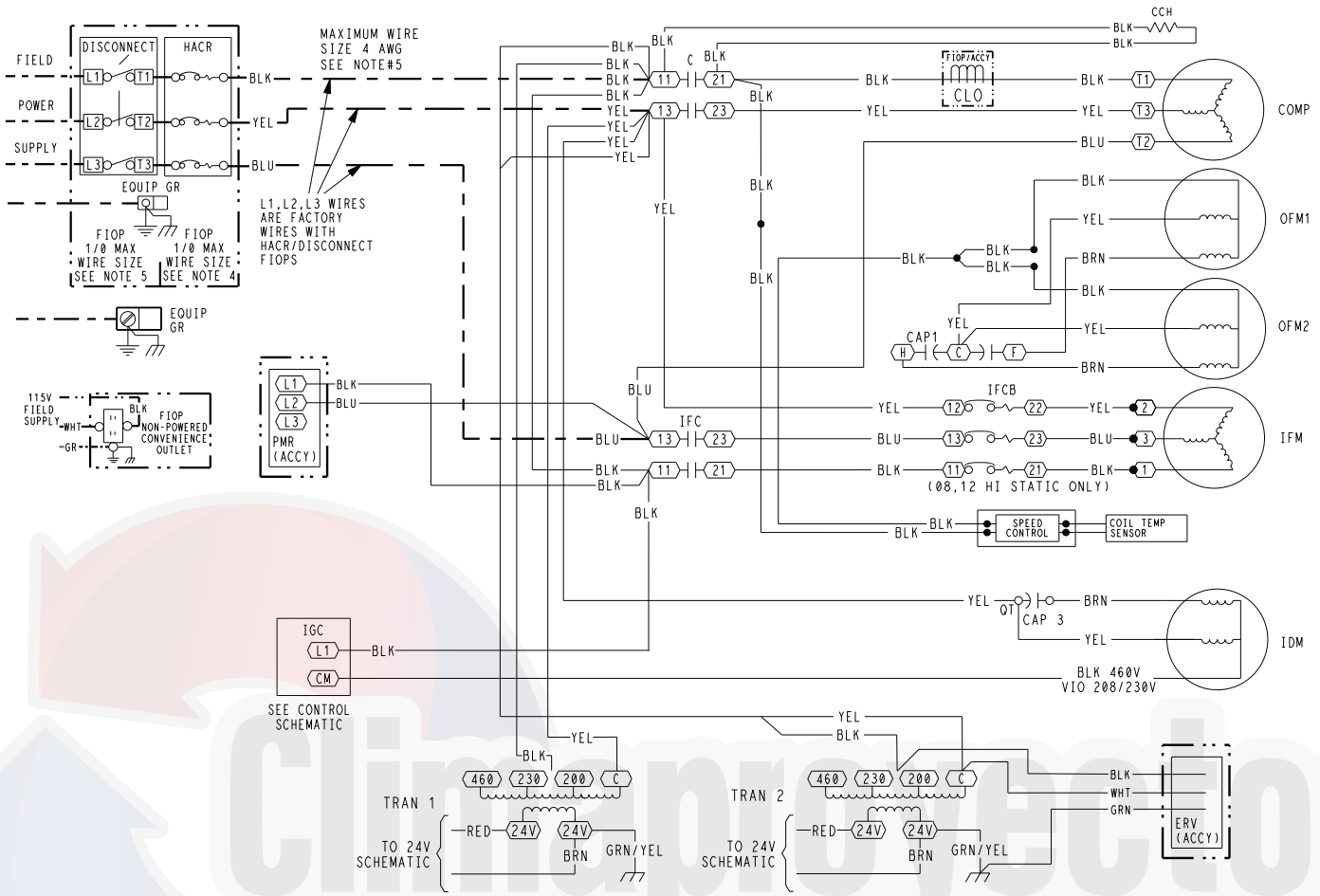
Fig. 96 - 48HC* A04-A06 YAC Power Diagram - 575-3-60 with Humidi-MiZer™

48TM503101 I

C14014

APPENDIX IV. WIRING DIAGRAMS

YAC POWER 208/230V, 460V-3-60
6 TON MID-TIER, W/DEHUMIDIFICATION



48HC

LEGEND

- (X) MARKED WIRE
- (X) TERMINAL (MARKED)
- (O) TERMINAL (UNMARKED)
- (X) TERMINAL BLOCK
- SPLICE
- SPLICE (MARKED)
- FACTORY WIRING
- - - FIELD CONTROL WIRING
- - - FIELD POWER WIRING
- - - CIRCUIT BOARD TRACE
- - - ACCESSORY OR OPTIONAL WIRING
- TO INDICATE COMMON POTENTIAL ONLY; NOT TO REPRESENT WIRING

NOTES

1. IF ANY OF THE ORIGINAL WIRE FURNISHED MUST BE REPLACED, IT MUST BE REPLACED WITH TYPE 90 C WIRE OR ITS EQUIVALENT.
2. COMPRESSOR AND FAN MOTORS ARE THERMALLY PROTECTED. THREE PHASE MOTORS ARE PROTECTED AGAINST PRIMARY SINGLE PHASING CONDITIONS.
3. 208/230V UNIT TRAN IS WIRED FOR 230V UNIT. IF UNIT IS TO BE RUN WITH 208V POWER SUPPLY DISCONNECT BLK WIRE FROM 230V TAP AND CONNECT TO 200V TAP.
4. USE COPPER, COPPER CLAD ALUMINUM OR ALUMINUM CONDUCTORS.
5. USE COPPER CONDUCTOR ONLY.

- | | | | |
|----------|-----------------------------|---------|-------------------------|
| C | CONTACTOR, COMPRESSOR | OAO | OUTDOOR AIR QUALITY |
| CAP | CAPACITOR | OAT | OUTDOOR AIR TEMP. SEN |
| CB | CIRCUIT BREAKER | OFM | OUTDOOR FAN MOTOR |
| CCH | CRANKCASE HEATER | OFR | OUTDOOR FAN RELAY |
| CCN | CARRIER COMFORT NETWORK | OL | OVERLOAD |
| CMP | COMPRESSOR SAFETY | PL | PLUG ASSEMBLY |
| CLO | COMPRESSOR LOCKOUT | POT | POTENTIOMETER |
| COFS | CONDENSATE OVERFLOW SWT | PMR | PHASE MONITOR RELAY |
| COMP | COMPRESSOR MOTOR | QT | QUADRUPLE TERMINAL |
| CLV | COOLING LIQUID VALVE | R | RELAY |
| DDC | DIRECT DIGITAL CONTROL | RAT | RETURN AIR TEMP. SEN |
| ERV | ENERGY RECOVERY VENTILATOR | RDV | REHEAT DISCHARGE VALVE |
| FIOPT | FACTORY INSTALLED OPTION | RLV | REHEAT LIQUID VALVE |
| FPT | FREEZE PROTECTION TSTAT | RMT OCC | REMOTE OCCUPANCY |
| FSD | FIRE SHUT DOWN | RS | ROLLOUT SWITCH |
| FS | FLAME SENSOR | SAT | SUPPLY AIR TEMP. SENSOR |
| FU | FUSE | SEN | SENSOR |
| GND | GROUND | SET | SET POINT OFFSET |
| GVR | GAS VALVE RELAY | SFS | SUPPLY FAN STATUS |
| HGRH | HOT GAS REHEAT | TDR | TIME DELAY RELAY |
| HPS | HIGH PRESSURE SWITCH | TRAN | TRANSFORMER |
| HS | HALL EFFECT SENSOR | | |
| I | IGNITOR | | |
| IAQ | INDOOR AIR QUALITY SENSORS | | |
| IDM | INDUCED DRAFT MOTOR | | |
| IFC | INDOOR FAN CONTACTOR | | |
| IFCB | INDOOR FAN CIRCUIT BREAKER | | |
| IFM | INDOOR FAN MOTOR | | |
| IFTB | INDOOR FAN TERMINAL BLOCK | | |
| IGC | INTEGRATED GAS CONTROL | | |
| IRH | INDOOR RELATIVE HUMIDITY | | |
| JMP | JUMPER | | |
| LA | LOW AMBIENT LOCKOUT | | |
| LOOP PWR | CURRENT LOOP POWER | | |
| LOC | LOSS OF CHARGE (SWITCH) | | |
| LPS | LOW PRESSURE SWITCH | | |
| LSM | LIMIT SWITCH (MANUAL RESET) | | |
| LS | LIMIT SWITCH | | |
| LTLO | LOW TEMP LOCKOUT | | |
| MGV | MAIN GAS VALVE | | |

48TM503237 D

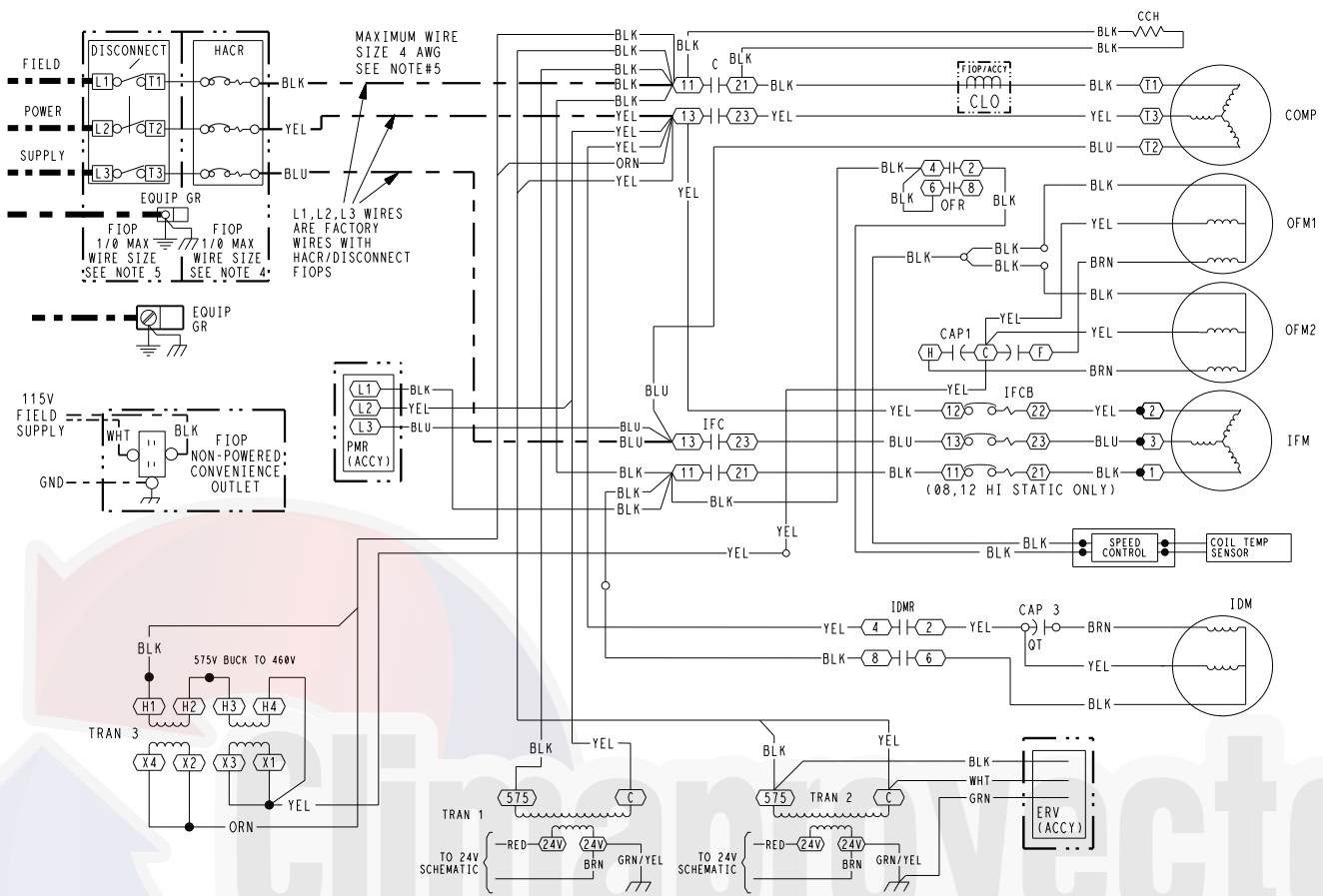
C14017

Fig. 97 - 48HC* A07 YAC Power Diagram - 230/460-3-60 with Humidi-MiZer™

APPENDIX IV. WIRING DIAGRAMS

YAC POWER 575-3-60 6 TON MID-TIER, W/DEHUMIDIFICATION

48HC



LEGEND

- X MARKED WIRE
- X TERMINAL (MARKED)
- TERMINAL (UNMARKED)
- X TERMINAL BLOCK
- SPLICE
- SPLICE (MARKED)
- FACTORY WIRING
- - - FIELD CONTROL WIRING
- - - FIELD POWER WIRING
- · · · · CIRCUIT BOARD TRACE
- · - · - ACCESSORY OR OPTIONAL WIRING
- TO INDICATE COMMON POTENTIAL ONLY; NOT TO REPRESENT WIRING

NOTES:

1. IF ANY OF THE ORIGINAL WIRE FURNISHED MUST BE REPLACED. IT MUST BE REPLACED WITH TYPE 90 C WIRE OR ITS EQUIVALENT.
2. COMPRESSOR AND FAN MOTORS ARE THERMALLY PROTECTED. THREE PHASE MOTORS ARE PROTECTED AGAINST PRIMARY SINGLE PHASING CONDITIONS.
3. TRAN IS WIRED FOR 575V UNIT.
4. USE COPPER, COPPER CLAD ALUMINUM OR ALUMINUM CONDUCTORS.
5. USE COPPER CONDUCTOR ONLY.

- | | | | |
|----------|-------------------------------|---------|-------------------------|
| C | CONTACTOR, COMPRESSOR | MGV | MAIN GAS VALVE |
| CAP | CAPACITOR | OAQ | OUTDOOR AIR QUALITY |
| CB | CIRCUIT BREAKER | OAT | OUTDOOR AIR TEMP. SEN |
| CCH | CRANKCASE HEATER | OFM | OUTDOOR FAN MOTOR |
| CCN | CARRIER COMFORT NETWORK | OFR | OUTDOOR FAN RELAY |
| CLO | COMPRESSOR LOCKOUT | OL | OVERLOAD |
| CMP SAFE | COMPRESSOR SAFETY | PL | PLUG ASSEMBLY |
| COFS | CONDENSATE OVERFLOW SWT | POT | POTENTIOMETER |
| COMP | COMPRESSOR MOTOR | PMR | PHASE MONITOR RELAY |
| CLV | COOLING LIQUID VALVE | QT | QUADRUPLE TERMINAL |
| DDC | DIRECT DIGITAL CONTROL | RELAY | RELAY |
| ERV | ENERGY RECOVERY VENTILATOR | RAT | RETURN AIR TEMP. SEN |
| FIOP | FACTORY INSTALLED OPTIONS | RDV | REHEAT DISCHARGE VALVE |
| FS | FLAME SENSOR | RLV | REHEAT LIQUID VALVE |
| FSD | FIRE SHUT DOWN | RMT OCC | REMOTE OCCUPANCY |
| FU | FUSE | RS | ROLLOUT SWITCH |
| FPT | FREEZE PROTECTION TSTAT (SWT) | SAT | SUPPLY AIR TEMP. SENSOR |
| GND | GROUND | SEN | SENSOR |
| GVR | GAS VALVE RELAY | SET | SET POINT OFFSET |
| HGRH | HOT GAS REHEAT | SFS | SUPPLY FAN STATUS |
| HPS | HIGH PRESSURE SWITCH | TDR | TIME DELAY RELAY |
| HS | HALL EFFECT SENSOR | TRAN | TRANSFORMER |
| I | IGNITOR | | |
| IAQ | INDOOR AIR QUALITY SENSORS | | |
| IDM | INDUCED DRAFT MOTOR | | |
| IDMR | INDUCED DRAFT MOTOR RELAY | | |
| IFC | INDOOR FAN CONTACTOR | | |
| IFCB | INDOOR FAN CIRCUIT BREAKER | | |
| IFM | INDOOR FAN MOTOR | | |
| IFTB | INDOOR FAN TERMINAL BLOCK | | |
| IGC | INTEGRATED GAS CONTROL | | |
| IRH | INDOOR RELATIVE HUMIDITY | | |
| LA | LOW AMBIENT LOCKOUT | | |
| LOC | LOSS OF CHARGE | | |
| LOOP PWR | CURRENT LOOP POWER | | |
| LPS | LOW PRESSURE SWITCH | | |
| LS | LIMIT SWITCH | | |
| LSM | LIMIT SWITCH (MANUAL RESET) | | |
| LTLO | LOW TEMP LOCKOUT | | |

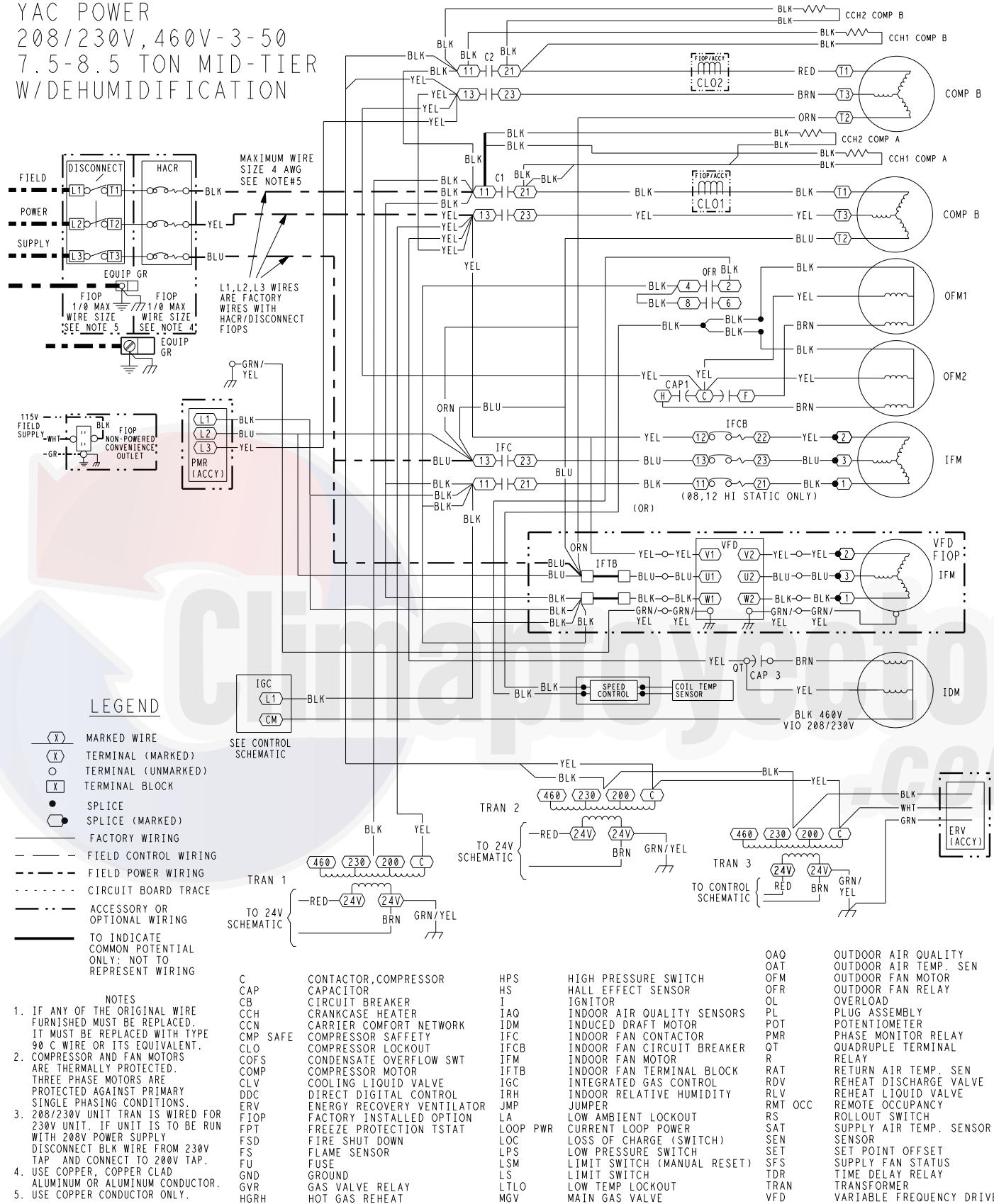
48TM503239 F

C14020

Fig. 98 - 48HC*A07 YAC Power Diagram - 575-3-60 with Humidi-MiZer™

APPENDIX IV. WIRING DIAGRAMS

YAC POWER
208/230V, 460V-3-50
7.5-8.5 TON MID-TIER
W/DEHUMIDIFICATION



48HC

Fig. 99 - 48HC*D08-D09 YAC Power Diagram - 230/460-3-60 with Humidi-MiZer™

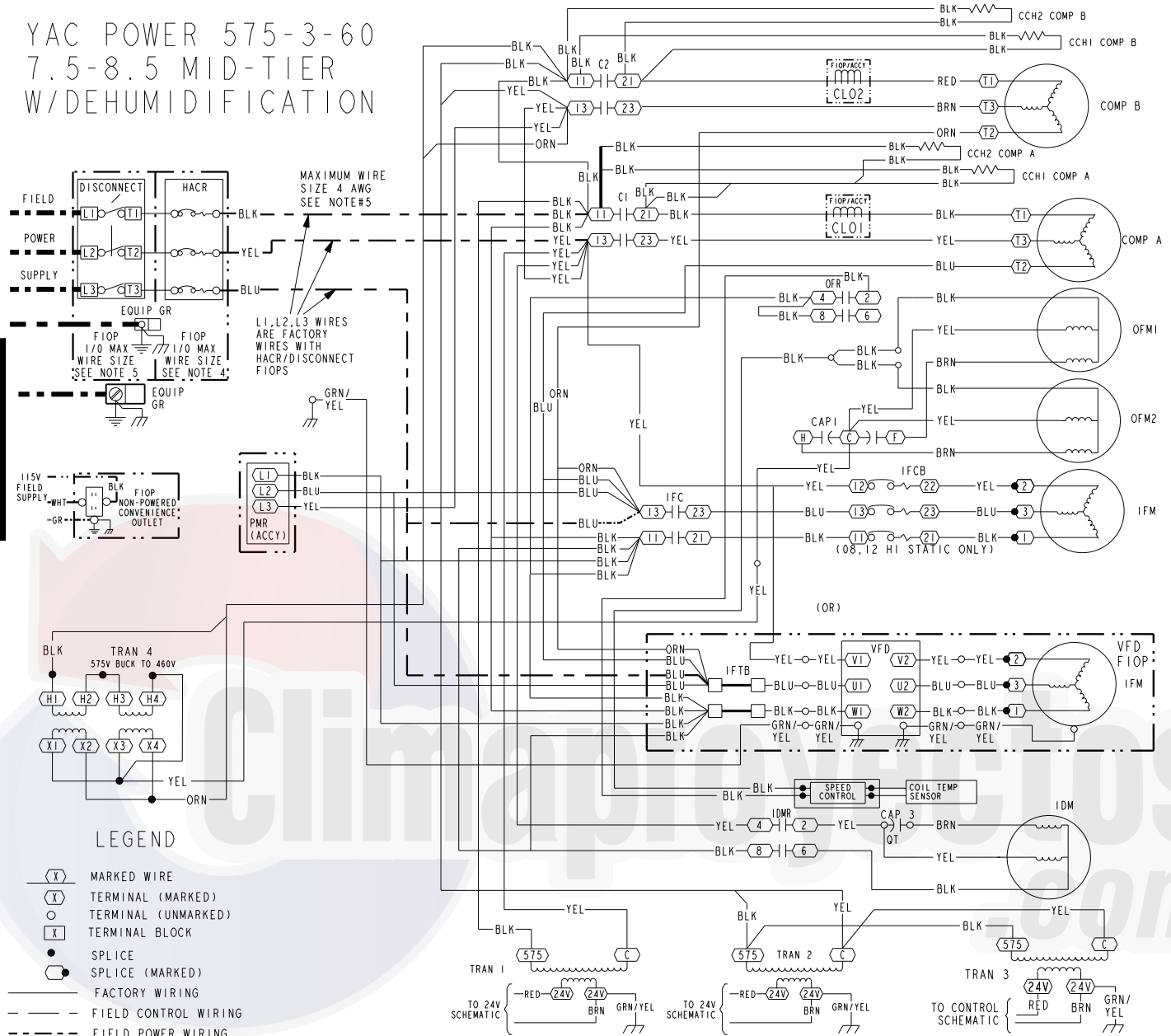
48TM503252 | D

C14023

APPENDIX IV. WIRING DIAGRAMS

YAC POWER 575-3-60
7.5-8.5 MID-TIER
W/DEHUMIDIFICATION

48HC



LEGEND

- (X) MARKED WIRE
- (Y) TERMINAL (MARKED)
- TERMINAL (UNMARKED)
- [X] TERMINAL BLOCK
- SPLICE
- SPLICE (MARKED)
- FACTORY WIRING
- - - FIELD CONTROL WIRING
- - - FIELD POWER WIRING
- - - CIRCUIT BOARD TRACE
- - - ACCESSORY OR OPTIONAL WIRING
- - - TO INDICATE COMMON POTENTIAL ONLY: NOT TO REPRESENT WIRING

NOTES

1. IF ANY OF THE ORIGINAL WIRE FURNISHED MUST BE REPLACED. IT MUST BE REPLACED WITH TYPE 90 C WIRE OR ITS EQUIVALENT.
2. COMPRESSOR AND FAN MOTORS ARE THERMALLY PROTECTED. THREE PHASE MOTORS ARE PROTECTED AGAINST PRIMARY SINGLE PHASING CONDITIONS.
3. TRAN IS WIRED FOR 575V UNIT.
4. USE COPPER, COPPER CLAD ALUMINUM OR ALUMINUM CONDUCTORS.
5. USE COPPER CONDUCTOR ONLY.

C	CONTACTOR, COMPRESSOR	IAQ	INDOOR AIR QUALITY SENSORS	PL	PLUG ASSEMBLY
CAP	CAPACITOR	IDM	INDUCED DRAFT MOTOR	POT	POTENTIOMETER
CB	CIRCUIT BREAKER	IDMR	INDUCED DRAFT MOTOR RELAY	PMR	PHASE MONITOR RELAY
CCH	CRANKCASE HEATER	IFC	INDOOR FAN CONTACTOR	QT	QUADRUPLE TERMINAL
CCN	CARRIER COMFORT NETWORK	IFCB	INDOOR FAN CIRCUIT BREAKER	R	RELAY
CLO	COMPRESSOR LOCKOUT	IFM	INDOOR FAN MOTOR	RAT	RETURN AIR TEMP. SEN
CMP	COMPRESSOR SAFETY	IFTB	INDOOR FAN TERMINAL BLOCK	RDV	REHEAT DISCHARGE VALVE
COFS	CONDENSATE OVERFLOW SWT	IGC	INTEGRATED GAS CONTROL	RLV	REHEAT LIQUID VALVE
COMP	COMPRESSOR MOTOR	IRH	INDOOR RELATIVE HUMIDITY	RMT OCC	REMOTE OCCUPANCY
CLV	COOLING LIQUID VALVE	LA	LOW AMBIENT LOCKOUT	RS	ROLLOUT SWITCH
DC	DIRECT DIGITAL CONTROL	LOC	LOSS OF CHARGE	SAT	SUPPLY AIR TEMP. SENSOR
FAC	FACTORY INSTALLED OPTION	LPWR	CURRENT LOOP POWER	SEN	SENSOR
FS	FLAME SENSOR	LPS	LOW PRESSURE SWITCH	SET	SET POINT OFFSET
FSD	FIRE SHUT DOWN	LS	LIMIT SWITCH	SFS	SUPPLY FAN STATUS
FU	FUSE	LSM	LIMIT SWITCH (MANUAL RESET)	SSV	SUBCOOL SOLENOID VALVE
FPT	FREEZE PROTECTION TSTAT (SWT)	LTLO	LOW TEMP LOCKOUT	TDR	TIME DELAY RELAY
GND	GROUND	MGV	MAIN GAS VALVE	TRAN	TRANSFORMER
GVR	GAS VALVE RELAY	OAO	OUTDOOR AIR QUALITY	VFD	VARIABLE FREQUENCY DRIVE
HGRH	HOT GAS REHEAT	OAT	OUTDOOR AIR TEMP. SEN		
HPS	HIGH PRESSURE SWITCH	OFM	OUTDOOR FAN MOTOR		
HS	HALL EFFECT SENSOR	OFR	OUTDOOR FAN RELAY		
I	IGNITOR	OL	OVERLOAD		

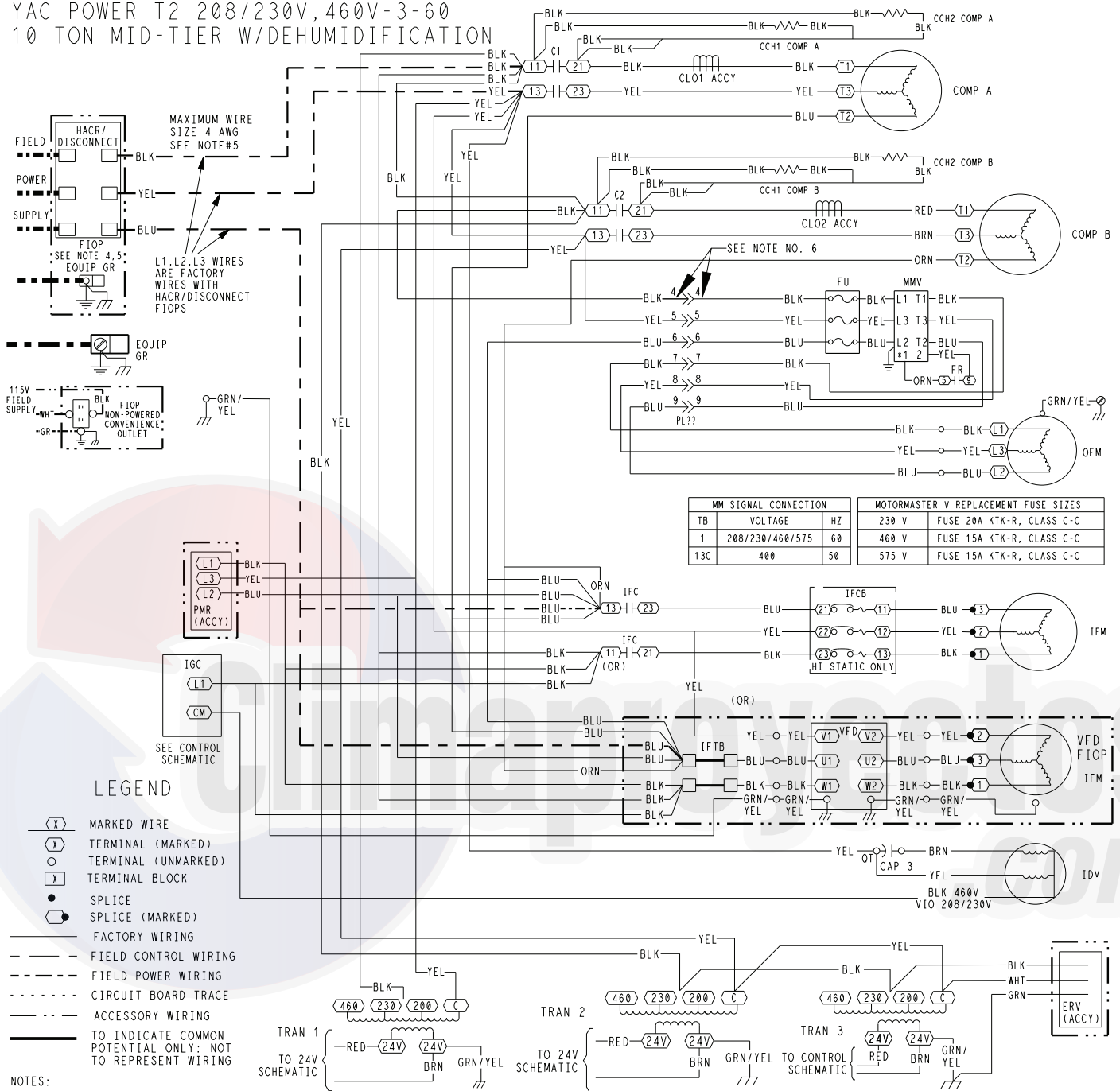
48TM503253 E

C14025

Fig. 100 - 48HC*D08-D09 YAC Power Diagram - 575-3-60 with Humidi-MiZer™

APPENDIX IV. WIRING DIAGRAMS

YAC POWER T2 208/230V, 460V-3-60
10 TON MID-TIER W/DEHUMIDIFICATION



48HC

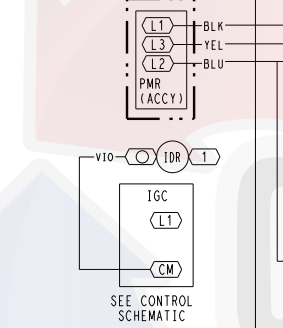
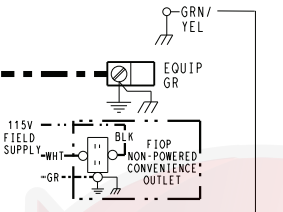
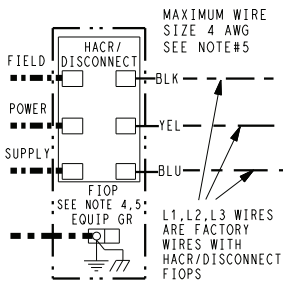
Fig. 101 - 48HC*YAC Power Diagram - 230/460-3-60 with Humidi-MiZer™

C14030

APPENDIX IV. WIRING DIAGRAMS

YAC POWER T2
575V-3-60
10 TON MID-TIER
W/DEHUMIDIFICATION

48HC

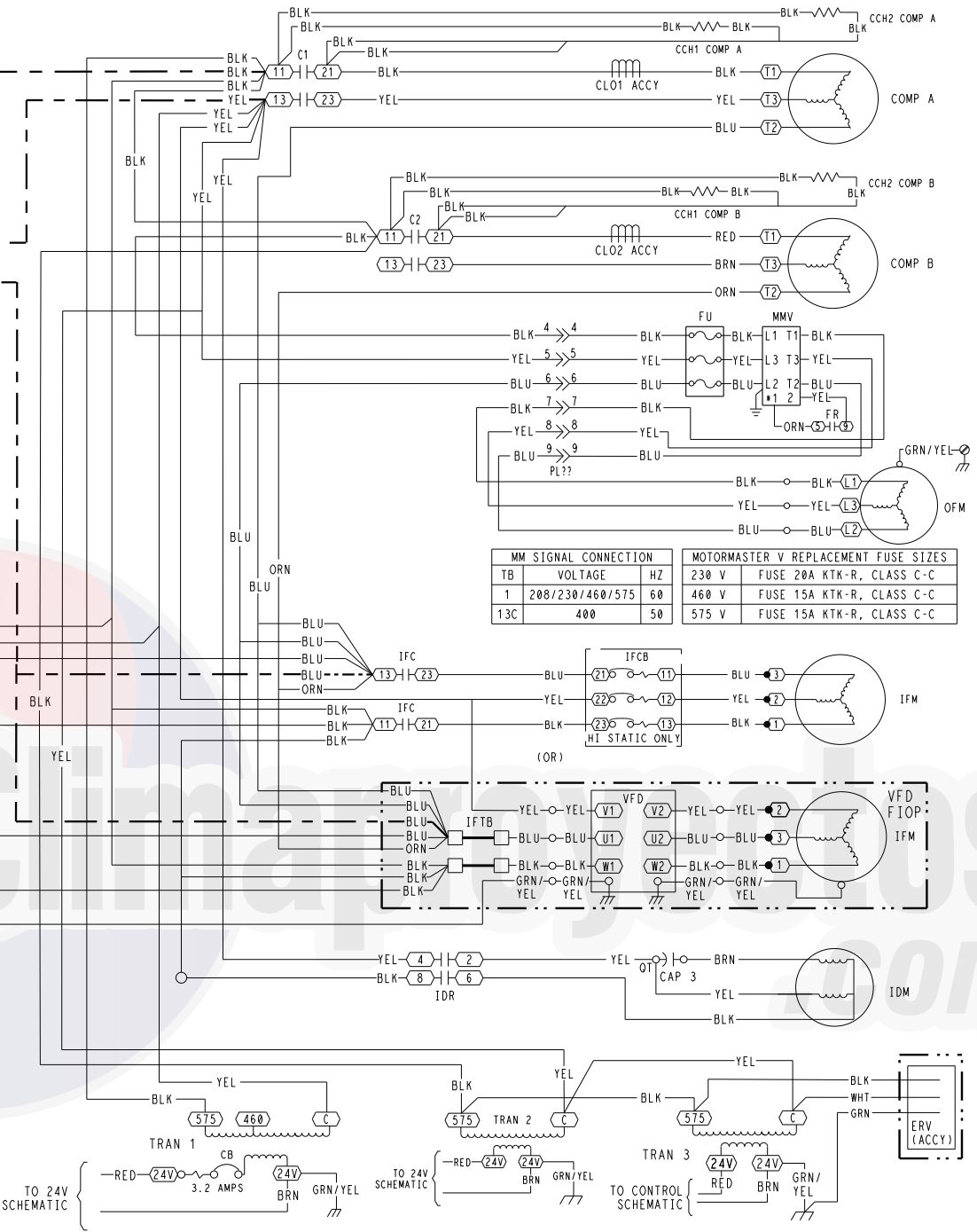


LEGEND

- (X) MARKED WIRE
- (X) TERMINAL (MARKED)
- (O) TERMINAL (UNMARKED)
- (X) TERMINAL BLOCK
- SPLICE
- (•) SPLICE (MARKED)
- FACTORY WIRING
- - - FIELD CONTROL WIRING
- - - - FIELD POWER WIRING
- - - - - CIRCUIT BOARD TRACE
- - - - - ACCESSORY WIRING
- TO INDICATE COMMON POTENTIAL ONLY; NOT TO REPRESENT WIRING

NOTES:

1. IF ANY OF THE ORIGINAL WIRE FURNISHED MUST BE REPLACED, IT MUST BE REPLACED WITH TYPE 90 C WIRE OR ITS EQUIVALENT.
2. COMPRESSOR AND FAN MOTORS ARE THERMALLY PROTECTED. THREE PHASE MOTORS ARE PROTECTED AGAINST PRIMARY SINGLE PHASING CONDITIONS.
3. 208/230V UNIT TRAN IS WIRED FOR 575V UNIT.
4. USE COPPER, COPPER CLAD ALUMINUM OR ALUMINUM CONDUCTORS. MAX 1/0 FOR HACR.
5. USE COPPER CONDUCTOR ONLY. MAX 1/0 FOR DISCONNECT.



MM SIGNAL CONNECTION			MOTORMASTER V REPLACEMENT FUSE SIZES	
TB	VOLTAGE	HZ	230 V	FUSE 20A KTK-R, CLASS C-C
1	208/230/460/575	60	460 V	FUSE 15A KTK-R, CLASS C-C
13C	400	50	575 V	FUSE 15A KTK-R, CLASS C-C

- | | | | | | |
|----------|----------------------------|----------|-----------------------------|---------|--------------------------|
| C | CONTACTOR, COMPRESSOR | I | IGNITOR | POT | POTENTIOMETER |
| CAP | CAPACITOR | IAQ | INDOOR AIR QUALITY SENSORS | PMR | PHASE MONITOR RELAY |
| CB | CIRCUIT BREAKER | IDM | INDUCED DRAFT MOTOR | PT | PRESSURE TRANSDUCER |
| CCH | CRANKCASE HEATER | IFR | INDUCED DRAFT RELAY | QT | QUADRUPLE TERMINAL |
| CCN | CARRIER COMFORT NETWORK | IFC | INDOOR FAN CONTACTOR | R | RELAY |
| CLO | COMPRESSOR LOCK OUT | IFCB | INDOOR FAN CIRCUIT BREAKER | RAT | RETURN AIR TEMP. SEN |
| CMP SAFE | COMPRESSOR SAFETY | IFM | INDOOR FAN MOTOR | RDV | REHEAT DISCHARGE VALVE |
| COFS | CONDENSATE OVERFLOW SWT | IFTB | INDOOR FAN TERMINAL BLOCK | RLV | REHEAT LIQUID VALVE |
| COMP | COMPRESSOR MOTOR | IGC | INTEGRATED GAS CONTROL | RMT OCC | REMOTE OCCUPANCY |
| CLV | COOLING LIQUID VALVE | IRH | INDOOR RELATIVE HUMIDITY | RS | ROLLOUT SWITCH |
| DDC | DIRECT DIGITAL CONTROL | LA | LOW AMBIENT LOCKOUT | SAT | SUPPLY AIR TEMP. SENSOR |
| ERV | ENERGY RECOVERY VENTILATOR | LOOP PWR | CURRENT LOOP POWER | SEN | SENSOR |
| FIOF | FACTORY INSTALLED OPTION | LPS | LOW PRESSURE SWITCH | SET | SET POINT OFFSET |
| FR | FAN RELAY | LSM | LIMIT SWITCH (MANUAL RESET) | SFS | SUPPLY FAN STATUS |
| FSD | FIRE SHUT DOWN | MGV | MAIN GAS VALVE | SSV | SUBCOOL SOLENOID VALVE |
| FU | FUSE | MMV | MOTOR MASTER V CONTROLLER | TDR | TIME DELAY RELAY |
| GND | GROUND | OAO | OUTDOOR AIR QUALITY | TRAN | TRANSFORMER |
| GVR | GAS VALVE RELAY | OAT | OUTDOOR AIR TEMP. SEN | VFD | VARIABLE FREQUENCY DRIVE |
| HGRH | HOT GAS REHEAT | OFM | OUTDOOR FAN MOTOR | | |
| HPS | HIGH PRESSURE SWITCH | OL | OVERLOAD | | |
| HS | HALL EFFECT SENSOR | PL | PLUG ASSEMBLY | | |

48TM503256 E

C14046

Fig. 102 - 48HC*D12 YAC Power Diagram - 575-3-60 with Humidi-MiZer™

APPENDIX IV. WIRING DIAGRAMS

48HC

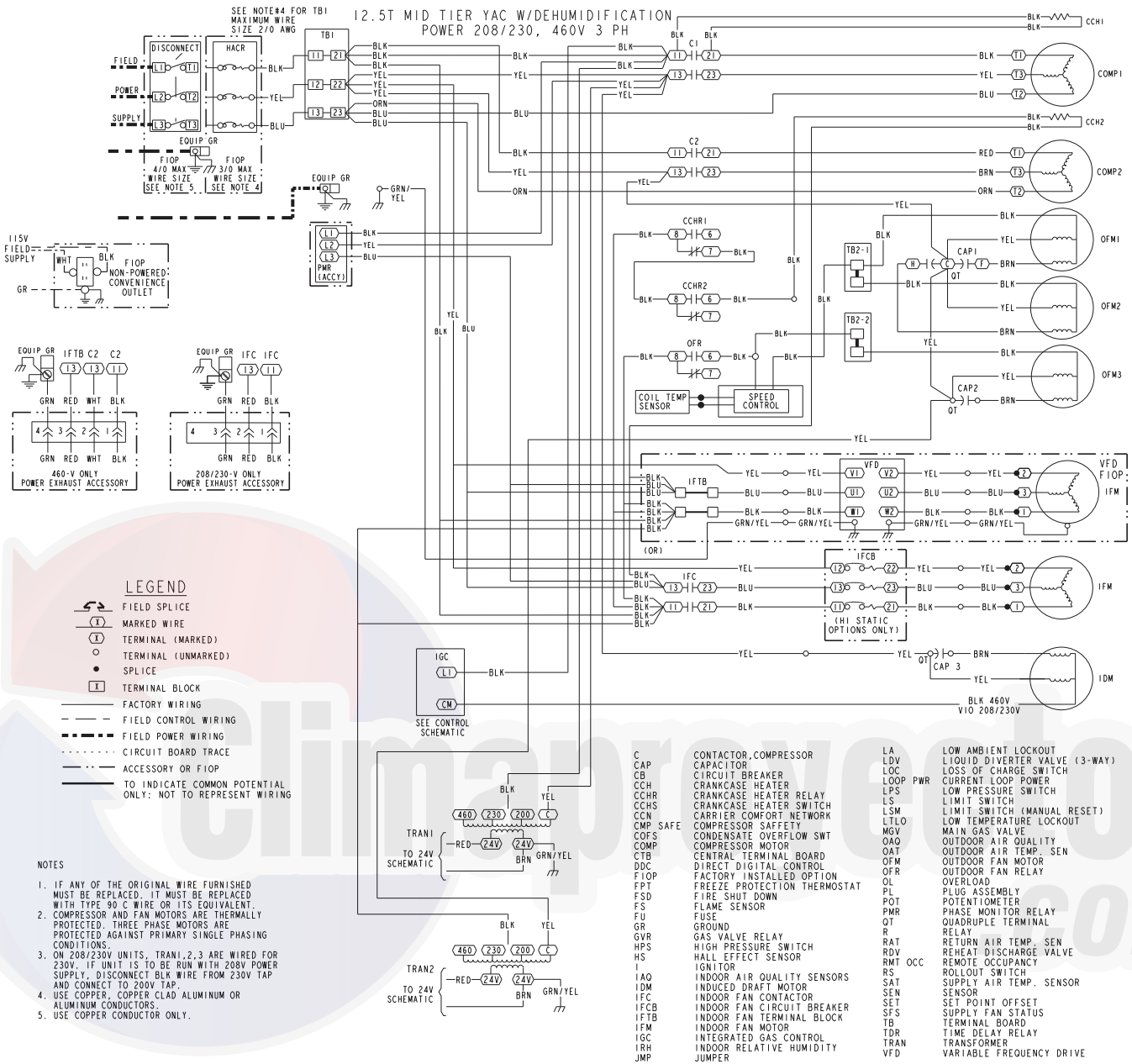
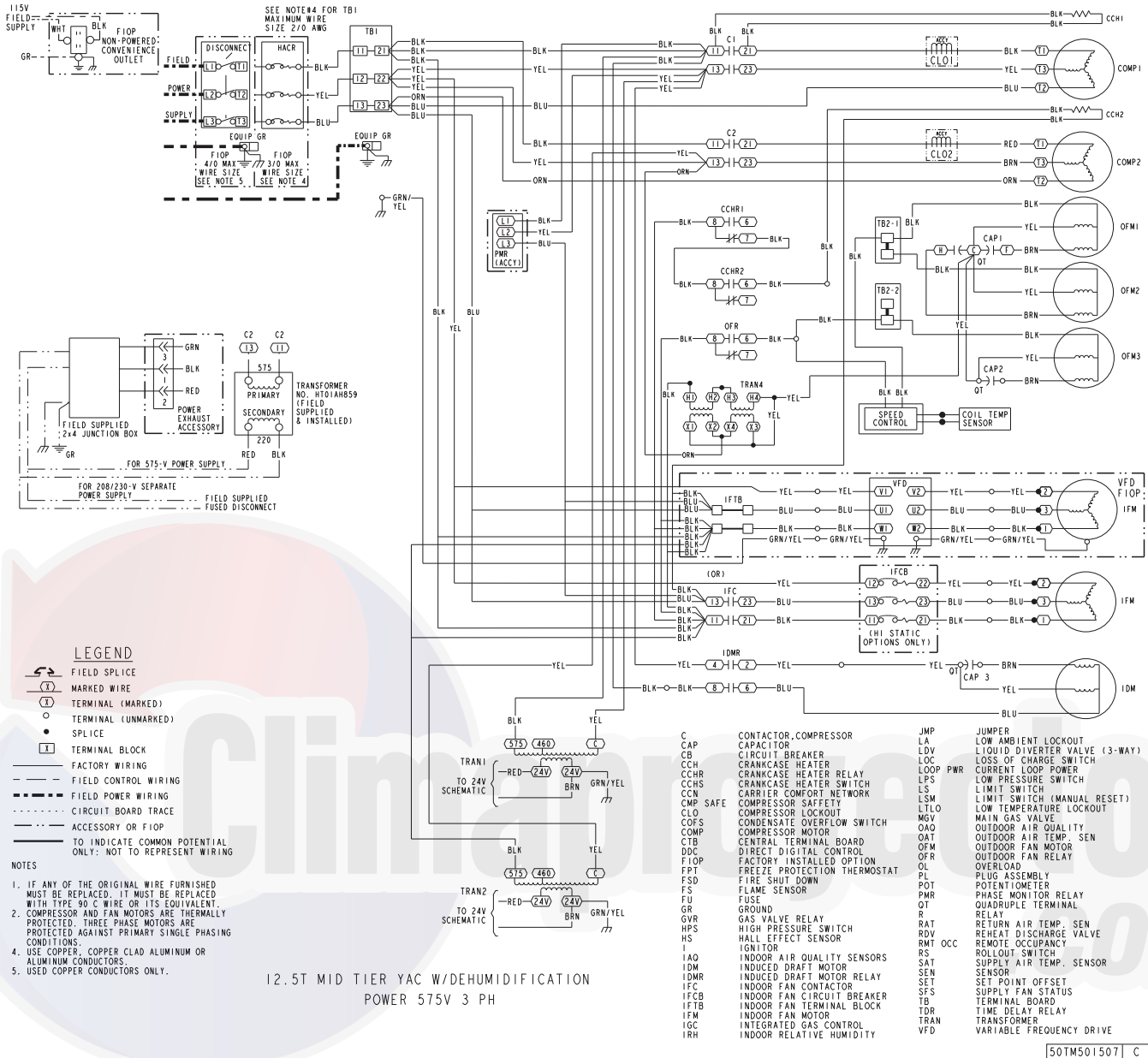


Fig. 104 - 48HC*D14 YAC Power Diagram - 230/460-3-60 with Humidi-MiZer™

50TM501508 D

C12464

APPENDIX IV. WIRING DIAGRAMS



12.5T MID TIER YAC W/DEHUMIDIFICATION
POWER 575V 3 PH

Fig. 105 - 48HC*D14 YAC Power Diagram - 575-3-60 with Humidi-MiZer™

50TM501507 C

C12465

48HC

APPENDIX IV. WIRING DIAGRAMS

STD TIER YAC CONTROL 208/230V, 460V, 575V

50HE500751 J

48HC

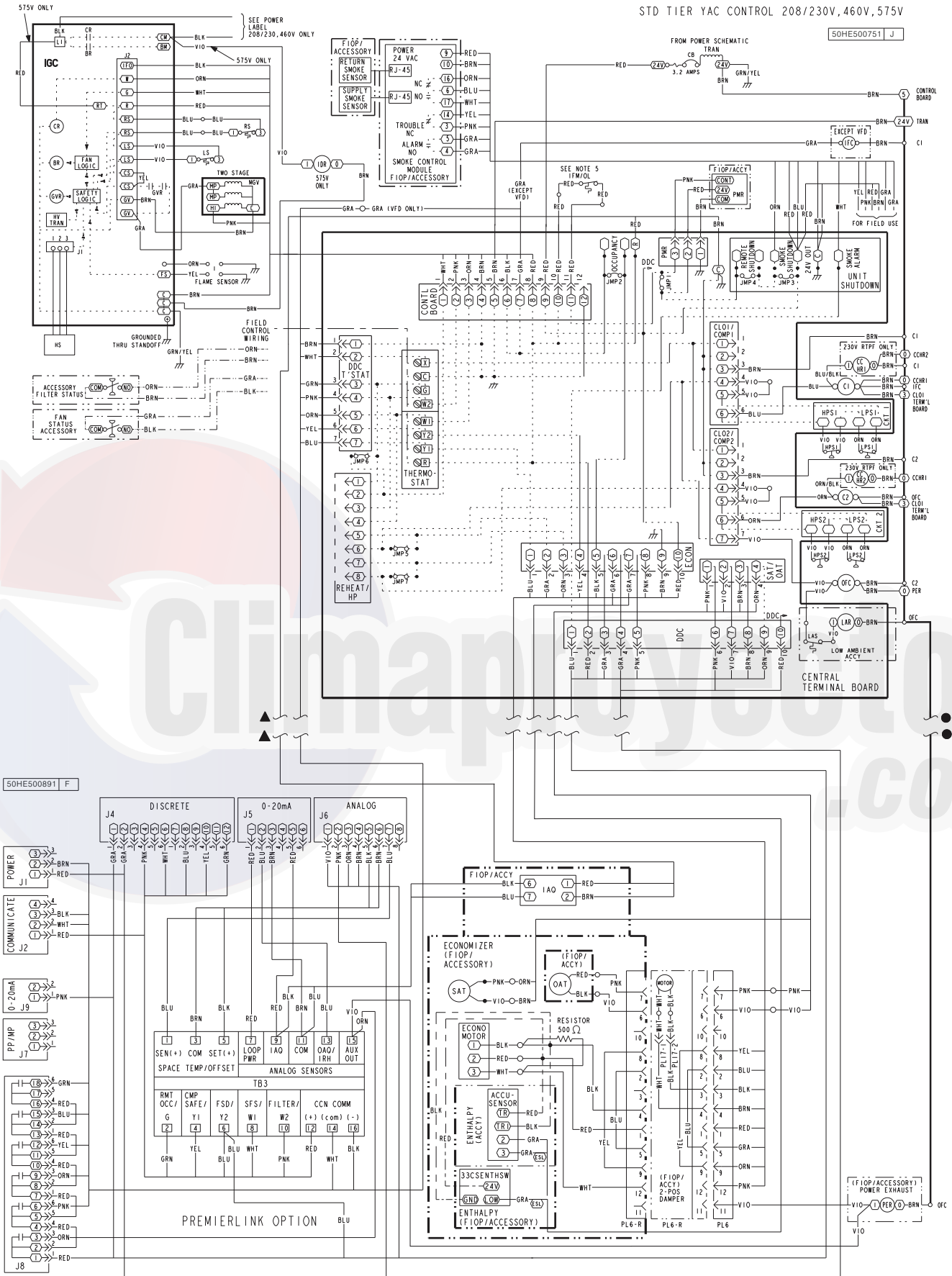


Fig. 106 - PremierLink™ System Control Wiring Diagram

C12263

APPENDIX IV. WIRING DIAGRAMS

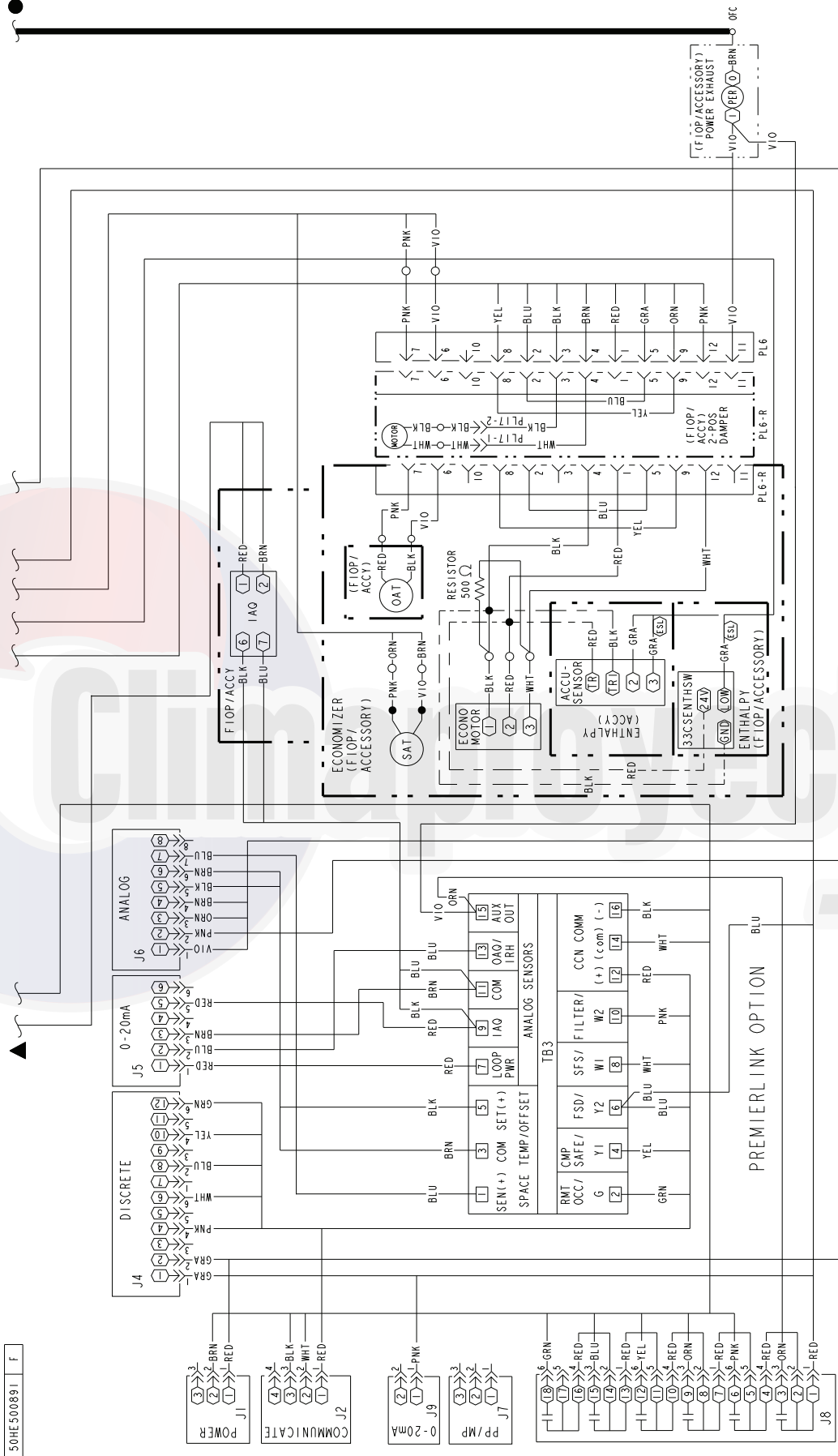


Fig. 107 - PremierLink™ System Control Wiring Diagram

C12690

48HC

APPENDIX IV. WIRING DIAGRAMS

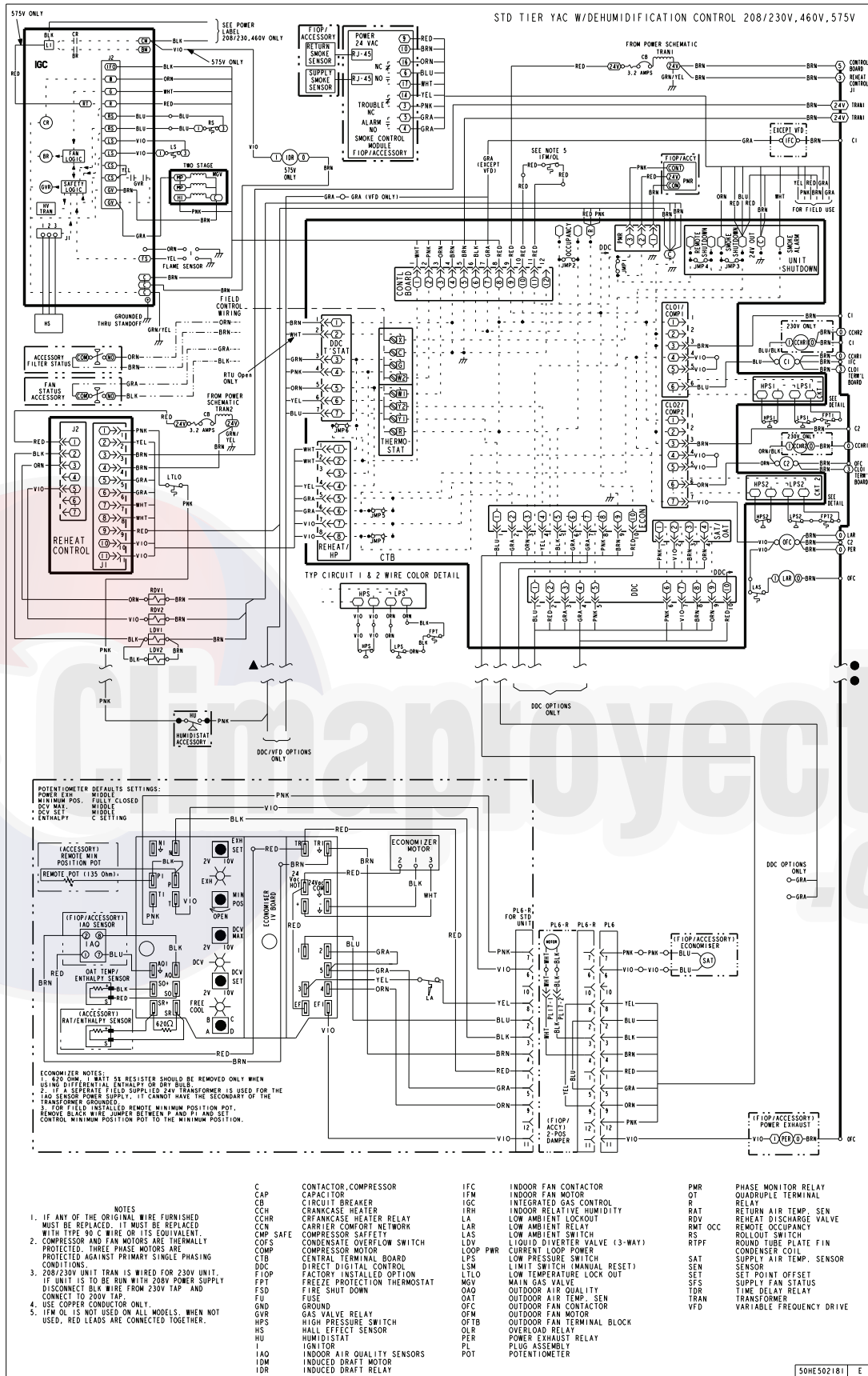


Fig. 108 - PremierLink™ System Control Wiring Diagram with Humidi-MiZer™

C14035

APPENDIX IV. WIRING DIAGRAMS

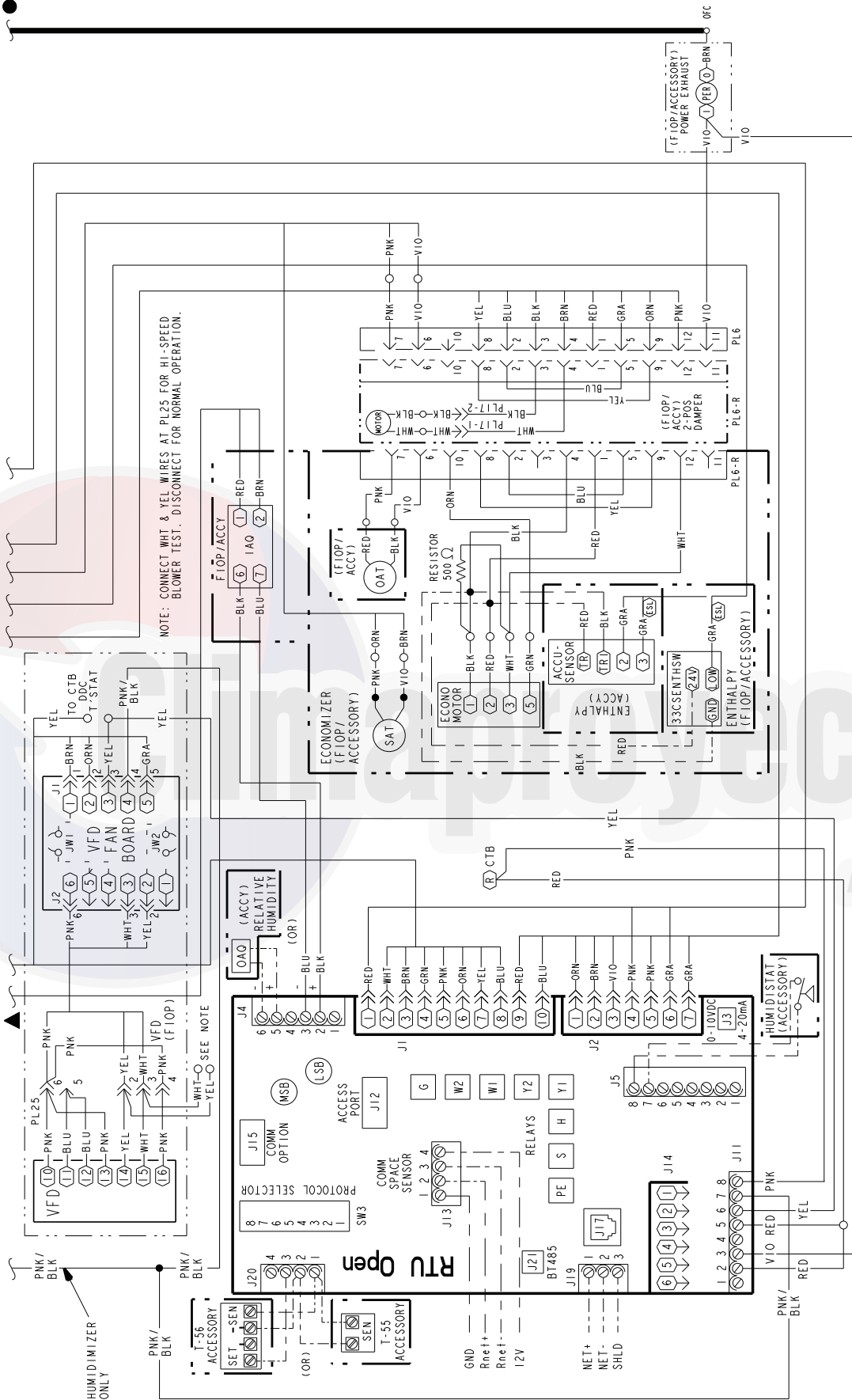


Fig. 109 - RTU-Open Wiring Diagram

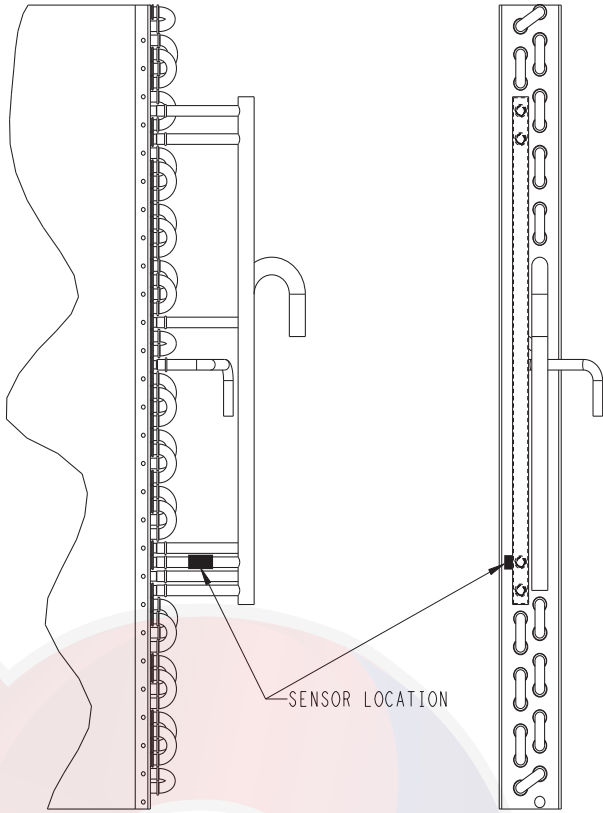
50HE501687 B

48HC

C14034

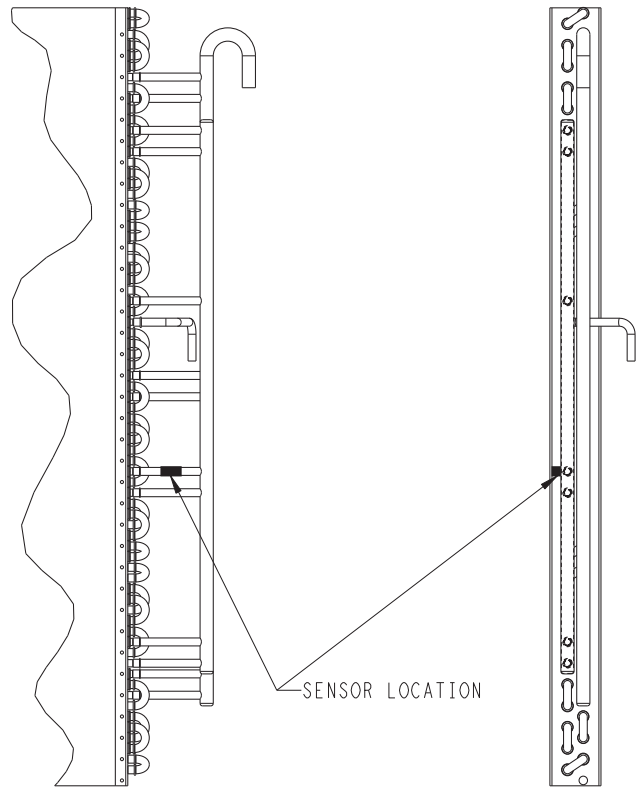
APPENDIX V. MOTORMASTER SENSOR LOCATIONS

48HC



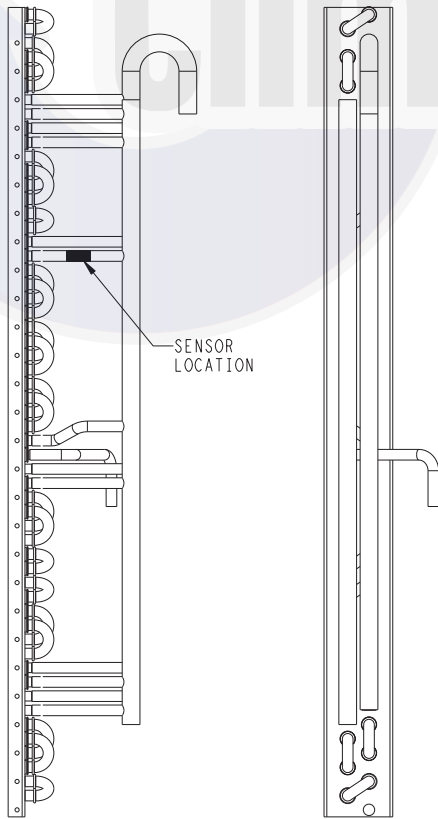
C10273

Fig. 110 - 48HC*A04 Outdoor Circuited



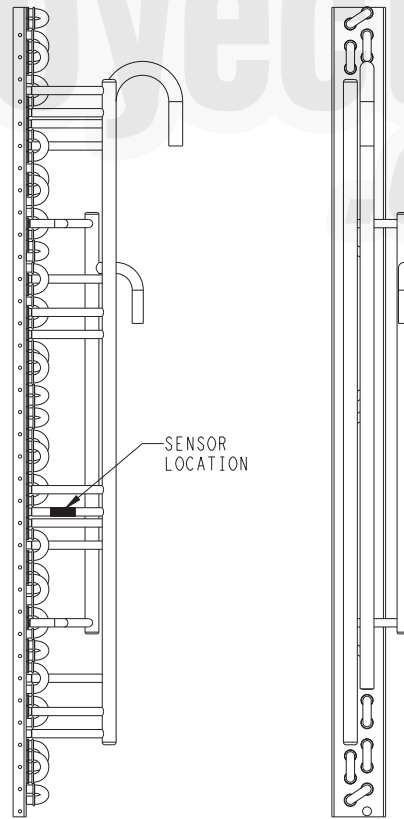
C10274

Fig. 112 - 48HC*A07 Outdoor Circuited



C08260

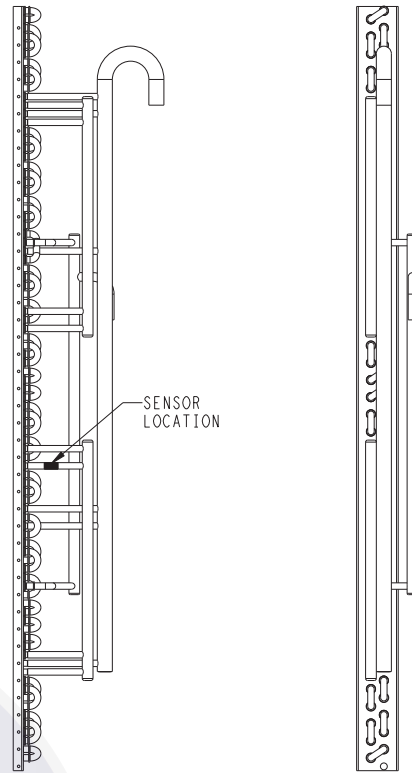
Fig. 111 - 48HC*A05/06 Outdoor Circuited



C08262

Fig. 113 - 48HC*A08 Outdoor Circuited

APPENDIX V. MOTORMASTER SENSOR LOCATIONS (cont.)



48HC

C08263

Fig. 114 - 48HC*A09 Outdoor Circuiting

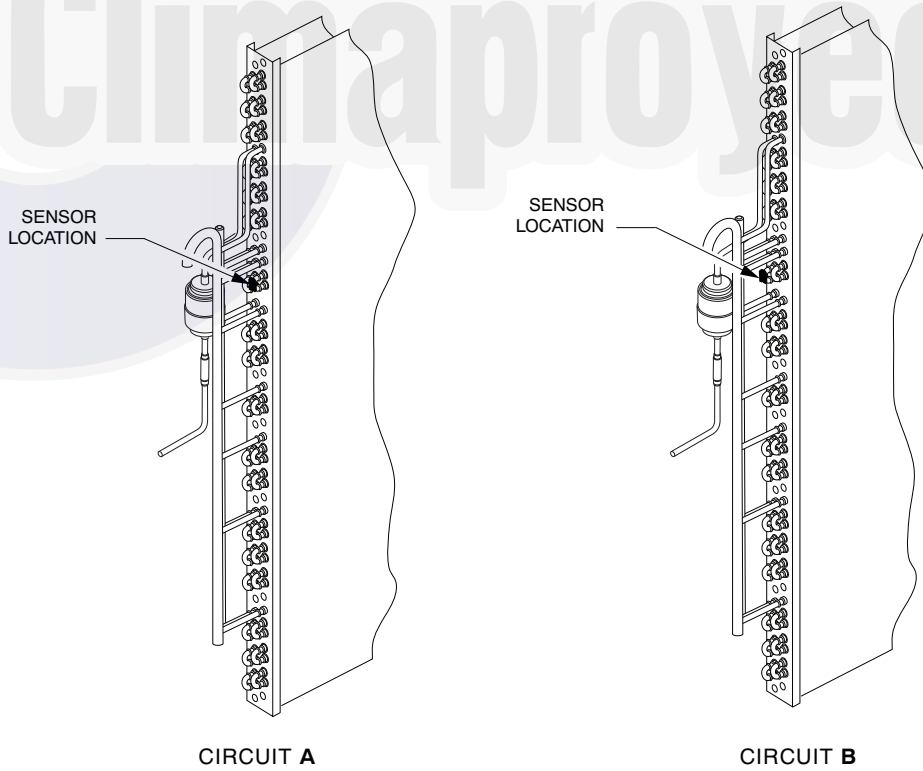


Fig. 115 - 48HC*D14 Outdoor Circuiting (Circuit A and Circuit B)

C12495

APPENDIX V. MOTORMASTER SENSOR LOCATIONS (cont.)

48HC

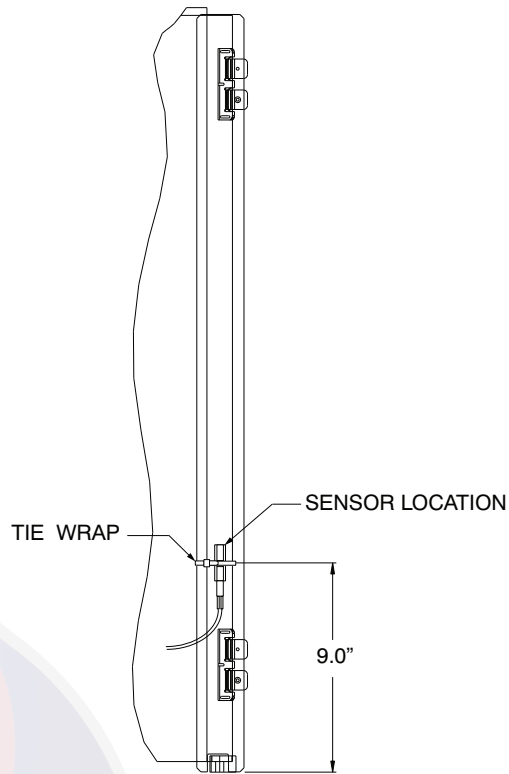


Fig. 116 - 48HC*D08 Motormaster Sensor Location - Novation Coils (MCHX)

C12492

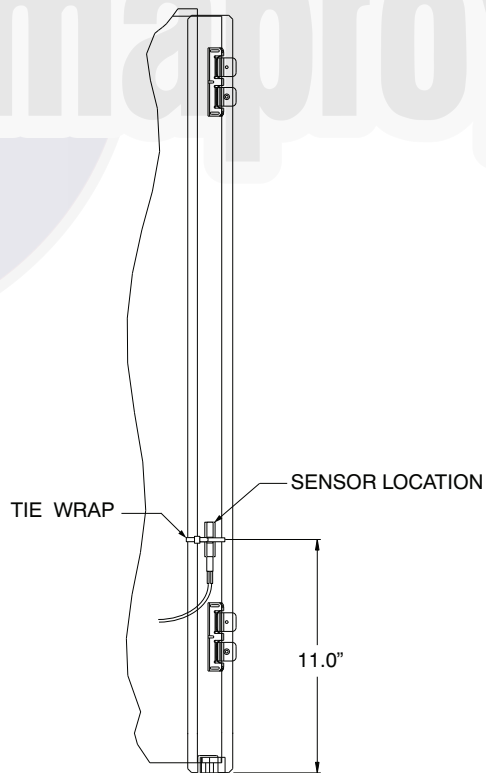


Fig. 117 - 48HC*D12 Motormaster Sensor Location - Novation Coils (MCHX)

C12493

UNIT START-UP CHECKLIST

I. PRELIMINARY INFORMATION:

MODEL NO.: _____
DATE: _____

SERIAL NO.: _____
TECHNICIAN: _____
BUILDING LOCATION: _____

II. PRE-START-UP (insert check mark in box as each item is completed):

- VERIFY THAT ALL PACKAGING MATERIALS HAVE BEEN REMOVED FROM UNIT
- VERIFY THAT CONDENSATE CONNECTION IS INSTALLED PER INSTALLATION INSTRUCTIONS
- VERIFY THAT FLUE HOOD IS INSTALLED
- CHECK ALL ELECTRICAL CONNECTIONS AND TERMINALS FOR TIGHTNESS
- CHECK TO ENSURE NO WIRES ARE TOUCHING REFRIGERANT TUBING OR SHARP EDGES
- CHECK GAS PIPING FOR LEAKS
- CHECK THAT RETURN-AIR FILTER IS CLEAN AND IN PLACE
- VERIFY THAT UNIT INSTALLATION IS LEVEL
- CHECK FAN WHEEL AND PROPELLER FOR LOCATION IN HOUSING/ORIFICE AND VERIFY SETSCREW IS TIGHT
- VERIFY PULLEY ALIGNMENT AND BELT TENSION ARE CORRECT

III. START-UP

ELECTRICAL

SUPPLY VOLTAGE	L1-L2	_____	L2-L3	_____	L3-L1	_____
COMPRESSOR AMPS	L1	_____	L2	_____	L2	_____
INDOOR FAN AMPS	L1	_____	L2	_____	L2	_____

TEMPERATURES

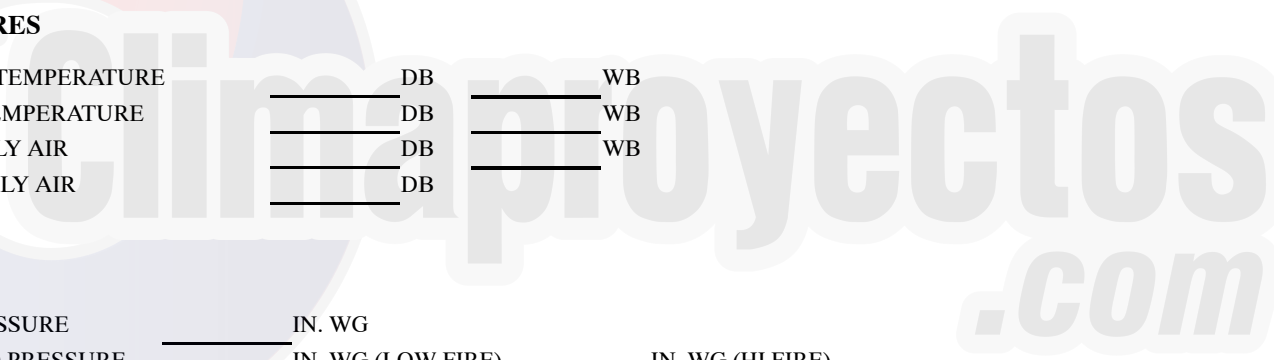
OUTDOOR-AIR TEMPERATURE	_____	DB	_____	WB
RETURN-AIR TEMPERATURE	_____	DB	_____	WB
COOLING SUPPLY AIR	_____	DB	_____	WB
GAS HEAT SUPPLY AIR	_____	DB	_____	

PRESSURES

GAS INLET PRESSURE	_____	IN. WG		
GAS MANIFOLD PRESSURE	_____	IN. WG (LOW FIRE)	_____	IN. WG (HI FIRE)
REFRIGERANT SUCTION	_____	PSIG	_____	TEMP °F
REFRIGERANT DISCHARGE	_____	PSIG	_____	TEMP °F

- VERIFY REFRIGERANT CHARGE USING CHARGING CHARTS
- VERIFY THAT 3-PHASE SCROLL COMPRESSOR IS ROTATING IN CORRECT DIRECTION
- VERIFY SMOKE DETECTOR PROVIDES UNIT SHUTDOWN UTILIZING MAGNET TEST.

48HC



48HC

