

**50LC
Ultra High Efficiency
Cooling Only/Electric Heat Packaged Rooftop
3 to 5 Nominal Tons**



Product Data



C11536

Carrier's Most Efficient Commercial Rooftop Ever!

TABLE OF CONTENTS

| | PAGE | | PAGE |
|--|------|---|------|
| UNIT FEATURES | 4 | APPLICATION DATA | 20 |
| MODEL NUMBER NOMENCLATURE | 5 | COOLING TABLES | 21 |
| FACTORY OPTIONS AND/OR ACCESSORIES | 7 | ECONO, BARO RELIEF & PE PERFORMANCE ... | 27 |
| AHRI COOLING RATING TABLES | 9 | STATIC PRESSURE ADDERS | 27 |
| SOUND PERFORMANCE TABLE | 10 | FAN PERFORMANCE | 29 |
| PHYSICAL DATA | 11 | ELECTRICAL INFORMATION | 31 |
| ELECTRIC HEAT DATA | 12 | MCA/MOCP | 37 |
| CURBS & WEIGHTS DIMENSIONS | 15 | SEQUENCE OF OPERATION | 49 |
| OPTIONS AND ACCESSORY WEIGHTS | 19 | GUIDE SPECIFICATIONS | 51 |

50LC



Carrier’s rooftop units (RTU) are designed by customers for customers. These new WeatherExpert™ models are Carrier’s highest efficient models ever produced and not only help reduce energy cost while providing comfort but they also help lower total cost of ownership.

Ultra high efficiency:

With SEER’s up to 17.5, these new WeatherExpert models well exceed both ASHRAE 90.1 and Energy Star levels for operating efficiencies. The models also meet or exceed the latest Consortium for Energy Efficiency (CEE) Tier 2 levels. All help to reduce energy cost and help qualify for rebates and contribute to obtain LEED credits.

Easy to install:

All WeatherExpert units are field-convertible to horizontal air flow, which makes it easy to adjust to unexpected job-site complications. In fact, these new 3-5 ton 50LC rooftops fit on the same Carrier curbs dating back to 1989, making it ideal for replacement without replacing existing curbs or utilizing an adapter curb. Many factory and field installed options are also available that are pre-engineered and tested.

Easy to maintain:

Easy access handles by Carrier provide quick access to all normally serviced components. Our “no-strip” screw system has superior holding power and guides screws into position while preventing the screw from stripping the unit’s metal. Take accurate pressure readings by reading condenser pressure with panels on. Simply remove the black, composite plug, route your gauge line(s) through the hole, and connect them to the refrigeration service valve(s). Now, you can take refrigeration system pressure readings without affecting the condenser airflow.

Easy to use:

The newly designed control box puts all your connections and troubleshooting points in one convenient place. Most low voltage connections are made to the same board and make it easy to find what you’re looking for and easy to access it. Carrier rooftops have high and low pressure switches, a filter drier, and 2-in (51mm) filters standard.



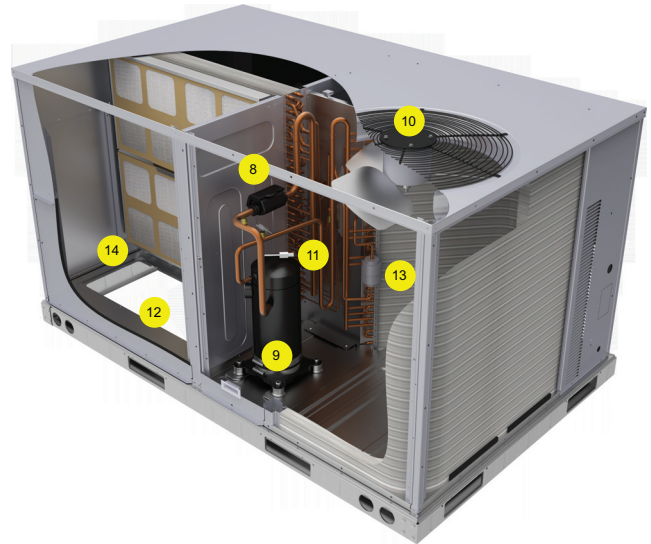
CARRIER'S MOST EFFICIENT COMMERCIAL ROOFTOP EVER DESIGNED

Ideal for Replacement or New Construction



C12162

Fig. 1 - 50LC Front View



C12161

Fig. 2 - 50LC Rear View

1. Full perimeter base rails with built in rigging provisions. Unit has the same footprint as the current standard efficiency and high efficiency models. Units fit on the same Carrier roof curb dating back to the late 1980's making it ideal for replacement and new construction.
2. Electrical mechanical controls, RTU Open multi protocol or ComfortLink integrated controls that provides:
 - Scrolling marquee display
 - Reverse rotation protection
 - Service diagnostics and alarms
 - Alarm and run time history
 - Additional dehumidification fan speed control
3. High Efficient Direct Drive multi speed ECM indoor motor or Belt Drive system with Variable Frequency Drive (VFD) controller and display.
4. If required, electrical single point wiring kit facilitates both the electric heaters and unit wiring to one connection point.
5. High efficient round tube plate fin coils with optional special environmental coating. Factory or field installed hail guard protector grilles are also available.
6. A wide range of electric heater sizes, electrical voltages and stages are available, all of which are factory certified. Heater's Heater elements are made of nickel-chrome alloy.
7. Large access panels to all major components with no strip screw technology and handles. Tool-less filter access door. Optional hinged panels optional offering with quarter turn latches and lift tabs.
8. Precision sized Thermostatic Expansion Valve (TXV) provides optimum operation through the entire application range.
9. 2-Stage scroll compressor provides efficient and accurate temperature control. Combined with ComfortLink controls system can provide single zone VAV logic and operation.
10. High efficient direct drive ECM outdoor fan motor aids in unit overall high performance. Helps provide quiet operation with outdoor sound levels to 76 dB.
11. Full safety protected with high pressure, low pressure and over current/temperature.
12. Standard vertical supply and return air configuration can be easily field converted to horizontal supply and return air with no special kits.
13. High capacity solid core filter drier for added refrigerant system protection.
14. Non corrosive, composite material condensate pan/drain system. Designed in accordance with ASHRAE 62 standard, sloping design with side and center drain connections.

50LC

UNIT FEATURES

- Two stage cooling capacity control scroll compressors with crankcase heater
- Belt drive indoor fan and pulley system with Variable Frequency Drive (VFD) motor controller and display or direct drive (multi speed/torque) ECM motor.
- SEER up to 17.5 with direct drive ECM indoor fan motor, up to 16.5 SEER with belt drive/VFD indoor fan motor
- Electro-mechanical controls that provide cooling operation down to 10°F (-12°C)
- Optional ComfortLink Controls that provide cooling operation down to 0°F (-18°C) and:
 - Communications via standalone thermostat or sensor
 - Scrolling marquee visual display
 - Time schedule capabilities
 - Reverse rotation protection
- Exclusive non-corrosive composite condensate pan in accordance with ASHRAE 62 Standard, sloping design; side or center drain
- Single point electrical connection
- Pre-painted exterior panels and primer-coated interior panels tested to 500 hours salt spray protection
- TXV refrigerant metering system on each circuit
- Fully insulated cabinet with foil faced insulation throughout the entire cabinet.
- Cooling operating range up to 125°F (52°C)
- Access panels with easy grip handles
- Innovative , easy starting, no-strip screw feature on unit access panels
- Two-inch disposable return air filters
- Tool-less filter access door
- New terminal board facilitating simple safety circuit troubleshooting and simplified control box arrangement
- Field Convertible airflow (3-5 ton). Being able to convert a unit from vertical airflow to horizontal makes it easy to overcome job site complications.
- Provisions for thru-the-bottom power entry capability as standard
- Full perimeter base rail with built-in rigging adapters and fork truck slots
- 24-volt control circuit protected with resettable circuit breaker
- Permanently lubricated evaporator-fan motor
- Totally enclosed high efficient ECM outdoor fan motor with permanently lubricated bearings
- Low Pressure switch and high-pressure switch protection
- Liquid line filter drier on each circuit
- Standard Limited Warranty: 5 yr. Electric heater exchanger, 5 yr compressor, 3 yr. ComfortLink controller, 1 yr parts

MODEL NUMBER NOMENCLATURE

| | | | | | | | | | | | | | | | | | |
|---|---|---|---|---|---|---|---|---|----|----|----|----|----|----|----|----|----|
| 1 | 2 | 3 | 4 | 5 | 6 | 7 | 8 | 9 | 10 | 11 | 12 | 13 | 14 | 15 | 16 | 17 | 18 |
| 5 | 0 | L | C | 0 | 0 | 0 | 5 | A | 2 | A | 5 | - | 0 | A | 0 | A | 0 |

Unit Type

50 = Electric Cooling
Packaged Rooftop

Model Series – WeatherExpert

LC = Ultra High Efficiency

Heat Size

0 = Standard, No Electric Heat
D = Low Electric Heat
E = Medium Electric Heat
F = High Electric Heat

Refrig. System Options

0 = 2 stage capacity control scroll compressor
With TXV metering device

Nominal Cooling Tons

04 = 3 Ton
05 = 4 Ton
06 = 5 Ton

Sensor Options

A = None
B = RA smoke detector
C = SA smoke detector
D = RA & SA smoke detector
E = CO₂ sensor
F = RA smoke detector & CO₂
G = SA smoke detector & CO₂
H = RA & SA smoke detector & CO₂

Indoor Fan Options

0 = Standard Electric Direct Drive ECM Motor
2 = Medium Static Belt Drive with VFD Controller and Display
3 = High Static Belt Drive with VFD Controller and Display

Brand / Packaging

0 = Standard
1 = LTL

Electrical Options

A = None
B = HACR breaker
C = Non-fused disconnect
D = Thru the base connections
E = HACR breaker & thru the base
F = Non-fused & thru the base

Service Options

0 = None
1 = Unpowered convenience outlet
2 = Powered convenience outlet
3 = Hinged panels
4 = Hinged panels, unpwr'd conv outlet
5 = Hinged panels, pwr'd conv outlet

Air Intake / Exhaust Options

A = None
B = Temp econo w/ baro relief
E = Enthalphy econo w/ baro relief

Base Unit Controls

0 = Base Electromechanical
1 = RTU Open Multi protocol controller
2 = ComfortLink Controls

Design Rev

- Factory design revision

Voltage

1 = 575/3/60
5 = 208-230/3/60
6 = 460/3/60

Coil Options (Outdoor-Indoor-Hailguard)

A = Al/Cu – Al/Cu
B = Precoat Al/Cu – Al/Cu
C = E coat Al/Cu – Al/Cu
D = E coat Al/Cu – E coat Al/Cu
E = Cu/Cu – Al/Cu
F = Cu/Cu – Cu/Cu
M = Al/Cu – Al/Cu – Louvered Hail Guard
N = Precoat Al/Cu – Al/Cu – Louvered Hail Guard
P = E-coat Al/Cu – Al/Cu – Louvered Hail Guard
Q = E-coat Al/Cu – E-coat Al/Cu – Louvered Hail Guard
R = Cu/Cu – Al/Cu – Louvered Hail Guard
S = Cu/Cu – Cu/Cu – Louvered Hail Guard

50LC

Table 1 – FACTORY-INSTALLED OPTIONS AND FIELD-INSTALLED ACCESSORIES

| CATEGORY | ITEM | FACTORY INSTALLED OPTION | FIELD INSTALLED ACCESSORY |
|--|---|--------------------------|---------------------------|
| Cabinet | Thru-the-base electrical connections | X | X |
| | Hinged access panels | X | |
| Coil Options | Cu/Cu indoor and/or outdoor coils | X | |
| | Pre-coated outdoor coils | X | |
| | Premium, E-coated outdoor coils | X | |
| Condenser Protection | Condenser coil hail guard (louvered design) | X | X |
| Controls | Thermostats, temperature sensors, and subbases | | X |
| | RTU Open multi-protocol controller | X | |
| | ComfortLink Controls | X | |
| | Smoke detector (supply and/or return air) | X | |
| | Time Guard II compressor delay control circuit | | X |
| | Phase Monitor | | X |
| Economizers & Outdoor Air Dampers | EconoMiSer X | X | X |
| | EconoMiSer2 (for DDC controlled RTUs) | X | X |
| | Barometric relief ¹ | X | X |
| | Power exhaust | | X |
| Economizer Sensors & IAQ Devices | Single dry bulb temperature sensors ² | X | X |
| | Differential dry bulb temperature sensors ² | | X |
| | Single enthalpy sensors ² | X | X |
| | Differential enthalpy sensors ² | | X |
| | CO ₂ sensor (wall, duct, or unit mounted) ² | X | X |
| Electric Heat | Electric Resistance Heaters | X | X |
| | Single Point Kit | X | X |
| Indoor Motor & Drive | Multiple motor and drive packages | X | |
| Power Options | Convenience outlet (powered) ³ | X | |
| | Convenience outlet (unpowered) | X | |
| | HACR Circuit Breaker ⁴ | X | |
| | Non-fused disconnect ⁵ | X | |
| Roof Curbs | Roof curb 14-in (356mm) | | X |
| | Roof curb 24-in (610mm) | | X |

NOTES:

- Included with economizer.
- Sensors used to optimize economizer performance.
- Not available on 575 volt models.
- On 575V applications, HACR breaker can only be used with WYE power distribution systems. Using on Delta power distribution systems is prohibited.
- On 208/230–360 units with FLOP Non-Fused Disconnect, and accessory CRSINGLE037A00 Single Point Box may be required. Refer to Electric Heat–Electrical Data Table for more information.

50LC

FACTORY OPTIONS AND/OR ACCESSORIES

Economizer (dry-bulb or enthalpy)

Economizers save money. They bring in fresh, outside air for ventilation; and provide cool, outside air to cool your building. This is the preferred method of low-ambient cooling. When coupled to CO₂ sensors, Economizers can provide even more savings by coupling the ventilation air to only that amount required.

Economizers are available, installed and tested by the factory, with either enthalpy or dry-bulb temperature inputs. There are also models for electromechanical as well as direct digital controllers. Additional sensors are available as accessories to optimize the economizers.

Economizers include gravity controlled, barometric relief equalizes building pressure and ambient air pressures. This can be a cast effective solution to prevent building pressurization.

CO₂ Sensor

Improves productivity and saves money by working with the economizer to intake only the correct amount of outside air for ventilation. As occupants fill your building, the CO₂ sensor detects their presence through increasing CO₂ levels, and opens the economizer appropriately.

When the occupants leave, the CO₂ levels decrease, and the sensor appropriately closes the economizer. This intelligent control of the ventilation air, called Demand Control Ventilation (DCV) reduces the overall load on the rooftop, saving money.

Smoke Detectors

Trust the experts. Smoke detectors make your application safer and your job easier. Carrier smoke detectors immediately shut down the rooftop unit when smoke is detected. They are available, installed by the factory, for supply air, return air, or both.

Louvered Hail Guards

Sleek, louvered panels protect the condenser coil from hail damage, foreign objects, and incidental contact.

Convenience Outlet (powered or un-powered)

Reduce service and/or installation costs by including a convenience outlet in your specification. Carrier will install this service feature at our factory. Provides a convenient, 15 amp, 115v GFCI receptacle with “Wet in Use” cover. The “powered” option allows the installer to power the outlet from the line side of the disconnect or load side as required by code. The “unpowered” option is to be powered from a separate 115/120v power source.

Non-fused Disconnect

This OSHA-compliant, factory-installed, safety switch allows a service technician to locally secure power to the rooftop.

Power Exhaust with Barometric Relief.

Superior internal building pressure control. This field-installed accessory may eliminate the need for costly, external pressure control fans.

RTU Open, Multi-protocol Controller

Connect the rooftop to an existing BAS without needing complicated translators or adapter modules using the RTU Open controller. This new controller speaks the 4 most common building automation system languages (Bacnet, Modbus, N2, and Lonworks). Use this controller when you have an existing BAS. Besides the 4 protocols, it also communicates with a Carrier Open system (I-Vu and VVT).

Time Guard II Control Circuit

This accessory protects your compressor by preventing short-cycling in the event of some other failure, prevents the compressor from restarting for 30 seconds after stopping. Not required RTU-MP, or authorized commercial thermostats.

Manual OA Damper & Two Position Dampers

Both Manual and Two Position Dampers are not recommended due to the control logic required for the 2-Speed indoor fan system for maintaining proper ventilation requirements. Contact application engineering for more details.

Hinged Access Panels

Allows access to unit's major components with specifically designed hinged access panels. Panels are: filter, control box, fan motor and compressor. Comes with quarter turn latches and lift tabs.

Alternate Motors and Drives

Some applications need larger horsepower motors, some need more airflow, and some need both. Regardless of the case, your Carrier expert has a factory installed combination to meet your application. A wide selection of motors and pulleys (drives) are available, factory installed, to handle nearly any application.

FACTORY OPTIONS AND/OR ACCESSORIES (cont.)

Thru-the-Base Connections

Thru-the-base connections, available as either an accessory or as a factory option, are necessary to ensure proper connection and seal when routing wire and piping through the rooftop's basepan and curb. These couplings eliminate roof penetration and should be considered for gas lines, main power lines, as well as control power.

Electric Heaters

Carrier offers a full-line of field-installed accessory heaters. The heaters are very easy to use, install and are all pre-engineered and certified.

HACR Breaker

These manual reset devices provide overload and short circuit protection for the unit. Factory wired and mounted with the units with access cover to help provide environment protection.

On 575V applications, HACR breaker can only be used with WYE power distribution systems. Use on Delta power distribution systems is prohibited.

ComfortLink Controls

Models with Carrier ComfortLink Controls allows added unit diagnostics and operation set up capabilities as well as controlling logic for single zone variable air volume (SZ-VAV) applications.

The ComfortLink control is your link to a world of simple and easy to use rooftop units that offer outstanding performance and value. When used with a space temperature sensor, the ComfortLink control's intelligence maintains control over the economizer and condenser fans. It optimizes the performance of the refrigeration circuits as conditions change, resulting in the following features:

- Better control of temperature and humidity
- Superior reliability
- Automatic redundancy
- Low ambient cooling operation to 0°F
- More accurate diagnostics, at unit or remote

The ComfortLink Scrolling Marquee is very easy to use. The messages are displayed in easy to understand English, no decoding is required. A scrolling readout provides detailed explanations of control information. Only four, large, easy-to-use buttons are required to maneuver through the entire menu. The readout is designed to be visible even in the brightest sunlight. A handheld Navigator accessory or wall-mounted System Pilot™ accessory can be used for added service flexibility.

The ComfortLink control provides unparalleled service diagnostic information. Temperature and pressure can be read directly from the display with no need for separate gauges. Other data, such as compressor cycles, unit run time hours, current alarms, can also be accessed. A history of alarms is also available for viewing.

The service run test can be very helpful when troubleshooting. The user can run test major components to determine the root cause of a problem. The unit can be run-tested before an installation is complete to ensure satisfactory start-up. To ensure reliability, the ComfortLink control prevents reverse compressor rotation. No laptop computers are required for start-up.

Time schedules are built in and the Scrolling Marquee display provides easy access to setpoints. The ComfortLink control accepts input from a CO2 sensor and a smoke detector. Both are available as factory installed options or as field installed accessories.

Table 2 – AHRI COOLING RATING TABLE 2-STAGE COOLING W/DIRECT DRIVE ECM INDOOR MOTOR

| 50LC | COOLING STAGES | NOM. CAPACITY (TONS) | NET COOLING CAPACITY (MBH) | TOTAL POWER (kW) | SEER | EER |
|------|----------------|----------------------|----------------------------|------------------|------|------|
| 04 | 2 | 3 | 35.6 | 2.8 | 17.1 | 12.8 |
| 05 | 2 | 4 | 47.5 | 3.6 | 17.5 | 13.1 |
| 06 | 2 | 5 | 58.5 | 4.6 | 17.2 | 12.7 |

Table 3 – AHRI COOLING RATING TABLE 2-STAGE COOLING WITH BELT DRIVE INDOOR MOTOR

| 50LC | COOLING STAGES | NOM. CAPACITY (TONS) | NET COOLING CAPACITY (MBH) | TOTAL POWER (kW) | SEER | EER |
|------|----------------|----------------------|----------------------------|------------------|------|------|
| 04 | 2 | 3 | 34.6 | 2.9 | 15.5 | 12.0 |
| 05 | 2 | 4 | 46.5 | 3.7 | 16.4 | 12.6 |
| 06 | 2 | 5 | 58.0 | 4.7 | 16.2 | 12.3 |

LEGEND

- – Not Applicable
- AHRI – Air Conditioning, Heating and Refrigeration Institute Test Standard
- ASHRAE – American Society of Heating, Refrigerating and Air Conditioning, Inc.
- EER – Energy Efficiency Ratio
- SEER – Seasonal Energy Efficiency Ratio

NOTES:

1. Rated in accordance with AHRI Standards.
2. Ratings are based on:
Cooling Standard: 80°F (27°C) db, 67°F (19°C) wb indoor air temp and 95°F (35°C) db outdoor air temp.
3. All 50LC units comply with ASHRAE 90.1 Energy Standard for minimum SEER and EER requirements.
4. 50LC units comply with US Energy Policy Act. To evaluate code compliance requirements, refer to state and local codes.

50LC

Table 4 – MINIMUM - MAXIMUM AIRFLOWS ELECTRIC HEAT

| 50LC | COOLING | | ELECTRIC HEATERS | |
|----------|---------|---------|------------------|---------|
| | Minimum | Maximum | Minimum | Maximum |
| 50LC*004 | 900 | 1500 | 900 | 1500 |
| 50LC*005 | 1200 | 2000 | 1200 | 2000 |
| 50LC*006 | 1500 | 2500 | 1500 | 2500 |

Table 5 – SOUND PERFORMANCE TABLE

| 50LC | OUTDOOR SOUND (dB) AT 60 | | | | | | | | |
|------|--------------------------|------|------|------|------|------|------|------|------|
| | A-WEIGHTED | 63 | 125 | 250 | 500 | 1000 | 2000 | 4000 | 8000 |
| 04 | 76 | 78.2 | 78.0 | 74.2 | 73.3 | 70.6 | 66.0 | 62.4 | 56.9 |
| 05 | 78 | 84.7 | 83.6 | 77.1 | 74.6 | 72.3 | 68.3 | 64.7 | 60.9 |
| 06 | 77 | 87.5 | 82.5 | 76.1 | 73.6 | 71.3 | 67.1 | 64.1 | 60.0 |

LEGEND

dB – Decibel

NOTES:

1. Outdoor sound data is measure in accordance with AHRI.
2. Measurements are expressed in terms of sound power. Do not compare these values to sound pressure values because sound pressure depends on specific environmental factors which normally do not match individual applications. Sound power values are independent of the environment and therefore more accurate.
3. A-weighted sound ratings filter out very high and very low frequencies, to better approximate the response of "average" human ear. A-weighted measurements for Carrier units are taken in accordance with AHRI.

50LC

| | | 50LC*004 | 50LC*005 | 50LC*006 |
|---------------------------------|------------------------------------|-----------------|-----------------|-----------------|
| Refrigeration System | | | | |
| | # Stages / # Comp. / Type | 2 / 1 / Scroll | 2 / 1 / Scroll | 2 / 1 / Scroll |
| | R-410A charge A/B (lbs - oz) | 9 - 2 | 9 - 0 | 11 - 0 |
| | Metering device | TXV | TXV | TXV |
| | High-press. Trip / Reset (psig) | 630 / 505 | 630 / 505 | 630 / 505 |
| | Low-press. Trip / Reset (psig) | 27 / 44 | 27 / 44 | 27 / 44 |
| Evaporator Coil | | | | |
| | Material | Cu / Al | Cu / Al | Cu / Al |
| | Coil type | 3/8-in RTPF | 3/8-in RTPF | 3/8-in RTPF |
| | Rows / FPI | 3 / 15 | 3 / 15 | 4 / 15 |
| | Total Face Area (ft ²) | 5.5 | 7.3 | 7.3 |
| | Condensate Drain Connection Size | 3/4-in | 3/4-in | 3/4-in |
| Evaporator fan and motor | | | | |
| Standard Static | Motor Qty / Drive type | 1 / Direct-ECM | 1 / Direct-ECM | 1 / Direct-ECM |
| | Max BHP | 1 | 1 | 1 |
| | RPM range | 600-1200 | 600-1200 | 600-1200 |
| | Motor Frame Size | 48 | 48 | 48 |
| | Fan Qty / Type | 1 / Centrifugal | 1 / Centrifugal | 1 / Centrifugal |
| | Fan Diameter (in) | 10 x 10 | 10 x 10 | 11 x 10 |
| Medium Static | Motor Qty / Drive type | 1 / Belt w/VFD | 1 / Belt w/VFD | 1 / Belt w/VFD |
| | Max BHP | 1.7 | 1.7 | 2.4 |
| | RPM range | 770-1175 | 920-1303 | 1035-1466 |
| | Motor Frame Size | 56 | 56 | 56 |
| | Fan Qty / Type | 1 / Centrifugal | 1 / Centrifugal | 1 / Centrifugal |
| | Fan Diameter (in) | 10 x 10 | 10 x 10 | 10 x 10 |
| High Static | Motor Qty / Drive type | 1 / Belt w/VFD | 1 / Belt w/VFD | 1 / Belt w/VFD |
| | Max BHP | 2.4 | 2.9 | 2.9 |
| | RPM range | 1035-1466 | 1208-1639 | 1303-1687 |
| | Motor Frame Size | 56 | 56 | 56 |
| | Fan Qty / Type | 1 / Centrifugal | 1 / Centrifugal | 1 / Centrifugal |
| | Fan Diameter (in) | 10 x 10 | 10 x 10 | 10 x 10 |
| Condenser Coil | | | | |
| | Material | Cu / Al | Cu / Al | Cu / Al |
| | Coil type | 7mm RTPF | 7mm RTPF | 7mm RTPF |
| | Rows / FPI | 2 / 20 | 2 / 20 | 2 / 20 |
| | Total Face Area (ft ²) | 16.4 | 21.4 | 21.4 |
| Condenser fan / motor | | | | |
| | Qty / Motor drive type | 1 / Direct-ECM | 1 / Direct-ECM | 1 / Direct-ECM |
| | Motor HP / RPM | 1/3 / 1001 | 1/3 / 1082 | 1/3 / 1082 |
| | Fan diameter (in) | 22 | 22 | 22 |
| Filters | | | | |
| | RA Filter # / size (in) | 2 / 16 x 25 x 2 | 4 / 16 x 16 x 2 | 4 / 16 x 16 x 2 |
| | OA inlet screen # / size (in) | 1 / 20 x 24 x 1 | 1 / 20 x 24 x 1 | 1 / 20 x 24 x 1 |

50LC

50LC

| NOM. V-Ph-Hz | IFM TYPE | ELECTRIC HEATER PART NUMBER CRHEATER | NOM PWR (kW) | APP PWR (kW) | SINGLE POINT KIT PART NUMBER CRSINGLEXXXA00 | | | |
|------------------|-------------|---|-----------------|-----------------|--|------------------------------|-------------|------------------------------|
| | | | | | NO C.O. or UNPWRD C.O. | | w/PWRD C.O. | |
| | | | | | NO P.E. | w/ P.E. (pwrd fr/unit) | NO P.E. | w/ P.E. (pwrd fr/unit) |
| 208/ 230-3-60 | DD-STD | 101A00 | 4.4 | 3.3/4.0 | -* | -* | -* | -* |
| | | 102A00 | 6.5 | 4.9/6.0 | -* | -* | -* | -* |
| | | 103B00 | 8.7 | 6.5/8.0 | -* | -* | -* | -* |
| | | 104B00 | 10.5 | 7.9/9.6 | -* | -* | -* | -* |
| | | 105A00 | 16.0 | 12.0/14.7 | 037 | 037 | 038 | 038 |
| | MED | 101A00 | 4.4 | 3.3/4.0 | -* | -* | -* | -* |
| | | 102A00 | 6.5 | 4.9/6.0 | -* | -* | -* | -* |
| | | 103B00 | 8.7 | 6.5/8.0 | -* | -* | -* | -* |
| | | 104B00 | 10.5 | 7.9/9.6 | -* | -* | -* | -* |
| | | 105A00 | 16.0 | 12.0/14.7 | 037 | 037 | 038 | 038 |
| | HIGH | 101A00 | 4.4 | 3.3/4.0 | -* | -* | -* | -* |
| | | 102A00 | 6.5 | 4.9/6.0 | -* | -* | -* | -* |
| | | 103B00 | 8.7 | 6.5/8.0 | -* | -* | -* | -* |
| | | 104B00 | 10.5 | 7.9/9.6 | -* | -* | -* | -* |
| | | 105A00 | 16.0 | 12.0/14.7 | 037 | 037 | 038 | 038 |
| 460-3-60 | DD-STD | 106A00 | 6.0 | 5.5 | - | - | - | - |
| | | 107A00 | 8.8 | 8.1 | - | - | - | - |
| | | 108A00 | 11.5 | 10.6 | - | - | - | - |
| | | 109A00 | 14.0 | 12.9 | - | - | - | - |
| | MED | 106A00 | 6.0 | 5.5 | - | - | - | - |
| | | 107A00 | 8.8 | 8.1 | - | - | - | - |
| | | 108A00 | 11.5 | 10.6 | - | - | - | - |
| | | 109A00 | 14.0 | 12.9 | - | - | - | - |
| | HIGH | 106A00 | 6.0 | 5.5 | - | - | - | - |
| | | 107A00 | 8.8 | 8.1 | - | - | - | - |
| | | 108A00 | 11.5 | 10.6 | - | - | - | - |
| | | 109A00 | 14.0 | 12.9 | - | - | - | - |
| 575-3-60 | DD-STD | 297A00 | 9.2 | 9.2 | - | - | - | - |
| | | 298A00 | 13.8 | 13.8 | - | - | - | - |
| | MED | 297A00 | 9.2 | 9.2 | - | - | - | - |
| | | 298A00 | 13.8 | 13.8 | - | - | - | - |
| | HIGH | 297A00 | 9.2 | 9.2 | - | - | - | - |
| | | 298A00 | 13.8 | 13.8 | - | - | - | - |

* On 208/230-3-60 units with FIOP Non-Fused Disconnect, an accessory CRSINGLE037A00 Single Point box must be used where the above table shows dashes “-”. The single point box contains the terminal block necessary to connect the non-fused disconnect load side wires and electric heat power wires.

LEGEND

- APP PWR - 208 / 230V / 460V / 575V
- DD - Direct drive
- BD - Belt drive
- C.O. - Convenient outlet
- FLA - Full load amps
- IFM - Indoor fan motor
- NOM PWR - 240V / 480V / 600V
- P.E. - Power exhaust
- PWRD - Powered convenient outlet
- UNPWRD - Unpowered convenient outlet

| NOM. V-Ph-Hz | IFM TYPE | ELECTRIC HEATER PART NUMBER CRHEATER | NOM PWR (kW) | APP PWR (kW) | SINGLE POINT KIT PART NUMBER CRSINGLEXXXA00 | | | |
|------------------|-------------|---|-----------------|-----------------|---|------------------------------|-------------|------------------------------|
| | | | | | NO C.O. or UNPWRD C.O. | | w/PWRD C.O. | |
| | | | | | NO P.E. | w/ P.E. (pwrd fr/unit) | NO P.E. | w/ P.E. (pwrd fr/unit) |
| 208/ 230-3-60 | DD-STD | 102A00 | 6.5 | 4.9/6.0 | -* | -* | -* | -* |
| | | 103B00 | 8.7 | 6.5/8.0 | -* | -* | -* | -* |
| | | 105A00 | 16.0 | 12.0/14.7 | 037 | 037 | 038 | 038 |
| | | 104B00,104B00 | 21.0 | 15.8/19.3 | 038 | 038 | 038 | 038 |
| | MED | 102A00 | 6.5 | 4.9/6.0 | -* | -* | -* | -* |
| | | 103B00 | 8.7 | 6.5/8.0 | -* | -* | -* | -* |
| | | 105A00 | 16.0 | 12.0/14.7 | 037 | 037 | 038 | 038 |
| | | 104B00,104B00 | 21.0 | 15.8/19.3 | 038 | 038 | 038 | 038 |
| | HIGH | 102A00 | 6.5 | 4.9/6.0 | -* | -* | -* | -* |
| | | 103B00 | 8.7 | 6.5/8.0 | -* | -* | -* | -* |
| | | 105A00 | 16.0 | 12.0/14.7 | 037 | 038 | 038 | 038 |
| | | 104B00,104B00 | 21.0 | 15.8/19.3 | 038 | 038 | 038 | 038 |
| 460-3-60 | DD-STD | 106A00 | 6.0 | 5.5 | - | - | - | - |
| | | 108A00 | 11.5 | 10.6 | - | - | - | - |
| | | 109A00 | 14.0 | 12.9 | - | - | - | - |
| | | 108A00,108A00 | 23.0 | 21.1 | 037 | 037 | 037 | 037 |
| | MED | 106A00 | 6.0 | 5.5 | - | - | - | - |
| | | 108A00 | 11.5 | 10.6 | - | - | - | - |
| | | 109A00 | 14.0 | 12.9 | - | - | - | - |
| | | 108A00,108A00 | 23.0 | 21.1 | 037 | 037 | 037 | 037 |
| | HIGH | 106A00 | 6.0 | 5.5 | - | - | - | - |
| | | 108A00 | 11.5 | 10.6 | - | - | - | - |
| | | 109A00 | 14.0 | 12.9 | - | - | - | - |
| | | 108A00,108A00 | 23.0 | 21.1 | 037 | 037 | 037 | 037 |
| 575-3-60 | DD-STD | 297A00 | 9.2 | 9.2 | - | - | - | - |
| | | 298A00 | 13.8 | 13.8 | - | - | - | - |
| | MED | 297A00 | 9.2 | 9.2 | - | - | - | - |
| | | 298A00 | 13.8 | 13.8 | - | - | - | - |
| | HIGH | 297A00 | 9.2 | 9.2 | - | - | - | - |
| | | 298A00 | 13.8 | 13.8 | - | - | - | - |

50LC

* On 208/230-3-60 units with FIOP Non-Fused Disconnect, an accessory CRSINGLE037A00 Single Point box must be used where the above table shows dashes “-”. The single point box contains the terminal block necessary to connect the non-fused disconnect load side wires and electric heat power wires.

LEGEND

- APP PWR - 208 / 230V / 460V / 575V
- DD - Direct drive
- BD - Belt drive
- C.O. - Convenient outlet
- FLA - Full load amps
- IFM - Indoor fan motor
- NOM PWR - 240V / 480V / 600V
- P.E. - Power exhaust
- PWRD - Powered convenient outlet
- UNPWRD - Unpowered convenient outlet

50LC

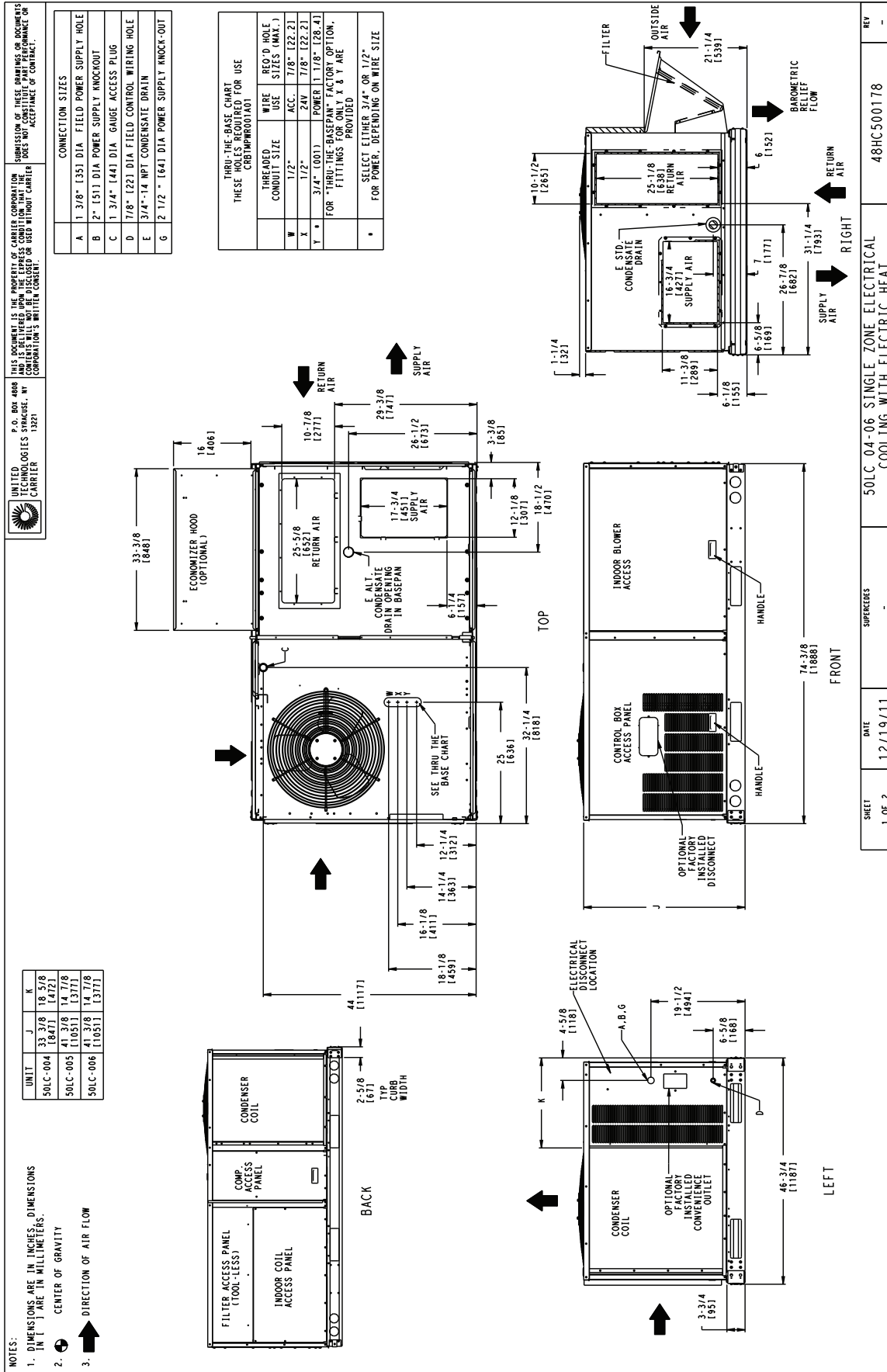
| NOM. V-Ph-Hz | IFM TYPE | ELECTRIC HEATER PART NUMBER CRHEATER | NOM PWR (kW) | APP PWR (kW) | SINGLE POINT KIT PART NUMBER CRSINGLEXXXA00 | | | |
|------------------|-------------|---|-----------------|-----------------|---|------------------------------|-------------|------------------------------|
| | | | | | NO C.O. or UNPWRD C.O. | | w/PWRD C.O. | |
| | | | | | NO P.E. | w/ P.E. (pwrd fr/unit) | NO P.E. | w/ P.E. (pwrd fr/unit) |
| 208/ 230-3-60 | DD-STD | 102A00 | 6.5 | 4.9/6.0 | -* | -* | -* | -* |
| | | 104B00 | 10.5 | 7.9/9.6 | -* | -* | -* | -* |
| | | 105A00 | 16.0 | 12.0/14.7 | 037 | 037 | 038 | 038 |
| | | 104B00,104B00 | 21.0 | 15.8/19.3 | 038 | 038 | 038 | 038 |
| | | 104B00,105A00 | 26.5 | 19.9/24.3 | 038 | 038 | 038 | 038 |
| | MED | 102A00 | 6.5 | 4.9/6.0 | -* | -* | -* | -* |
| | | 104B00 | 10.5 | 7.9/9.6 | -* | -* | -* | -* |
| | | 105A00 | 16.0 | 12.0/14.7 | 037 | 037 | 038 | 038 |
| | | 104B00,104B00 | 21.0 | 15.8/19.3 | 038 | 038 | 038 | 038 |
| | | 104B00,105A00 | 26.5 | 19.9/24.3 | 038 | 038 | 038 | 038 |
| | HIGH | 102A00 | 6.5 | 4.9/6.0 | -* | -* | -* | -* |
| | | 104B00 | 10.5 | 7.9/9.6 | -* | -* | -* | -* |
| | | 105A00 | 16.0 | 12.0/14.7 | 037 | 038 | 038 | 038 |
| | | 104B00,104B00 | 21.0 | 15.8/19.3 | 038 | 038 | 038 | 038 |
| | | 104B00,105A00 | 26.5 | 19.9/24.3 | 038 | 038 | 038 | 038 |
| 460-3-60 | DD-STD | 106A00 | 6.0 | 5.5 | - | - | - | - |
| | | 108A00 | 11.5 | 10.6 | - | - | - | - |
| | | 109A00 | 14.0 | 12.9 | - | - | - | - |
| | | 108A00,108A00 | 23.0 | 21.1 | 037 | 037 | 037 | 037 |
| | | 108A00,109A00 | 25.5 | 23.4 | 037 | 037 | 037 | 037 |
| | MED | 106A00 | 6.0 | 5.5 | - | - | - | - |
| | | 108A00 | 11.5 | 10.6 | - | - | - | - |
| | | 109A00 | 14.0 | 12.9 | - | - | - | - |
| | | 108A00,108A00 | 23.0 | 21.1 | 037 | 037 | 037 | 037 |
| | | 108A00,109A00 | 25.5 | 23.4 | 037 | 037 | 037 | 037 |
| | HIGH | 106A00 | 6.0 | 5.5 | - | - | - | - |
| | | 108A00 | 11.5 | 10.6 | - | - | - | - |
| | | 109A00 | 14.0 | 12.9 | - | - | - | - |
| | | 108A00,108A00 | 23.0 | 21.1 | 037 | 037 | 037 | 037 |
| | | 108A00,109A00 | 25.5 | 23.4 | 037 | 037 | 037 | 037 |
| 575-3-60 | DD-STD | 298A00 | 13.8 | 13.8 | - | - | - | - |
| | | 301A00 | 23.0 | 23.0 | 037 | 037 | 037 | 037 |
| | MED | 298A00 | 13.8 | 13.8 | - | - | - | - |
| | | 301A00 | 23.0 | 23.0 | 037 | 037 | 037 | 037 |
| | HIGH | 298A00 | 13.8 | 13.8 | - | - | - | - |
| | | 301A00 | 23.0 | 23.0 | 037 | 037 | 037 | 037 |

* On 208/230-3-60 units with FIOP Non-Fused Disconnect, an accessory CRSINGLE037A00 Single Point box must be used where the above table shows dashes "-". The single point box contains the terminal block necessary to connect the non-fused disconnect load side wires and electric heat power wires.

LEGEND

- APP PWR - 208 / 230V / 460V / 575V
- DD - Direct drive
- BD - Belt drive
- C.O. - Convenient outlet
- FLA - Full load amps
- IFM - Indoor fan motor
- NOM PWR - 240V / 480V / 600V
- P.E. - Power exhaust
- PWRD - Powered convenient outlet
- UNPWRD - Unpowered convenient outlet

CURBS & WEIGHTS DIMENSIONS



50LC

Fig. 3 - Dimensions 50LC 04-06

CURBS & WEIGHTS DIMENSIONS (cont.)

50LC

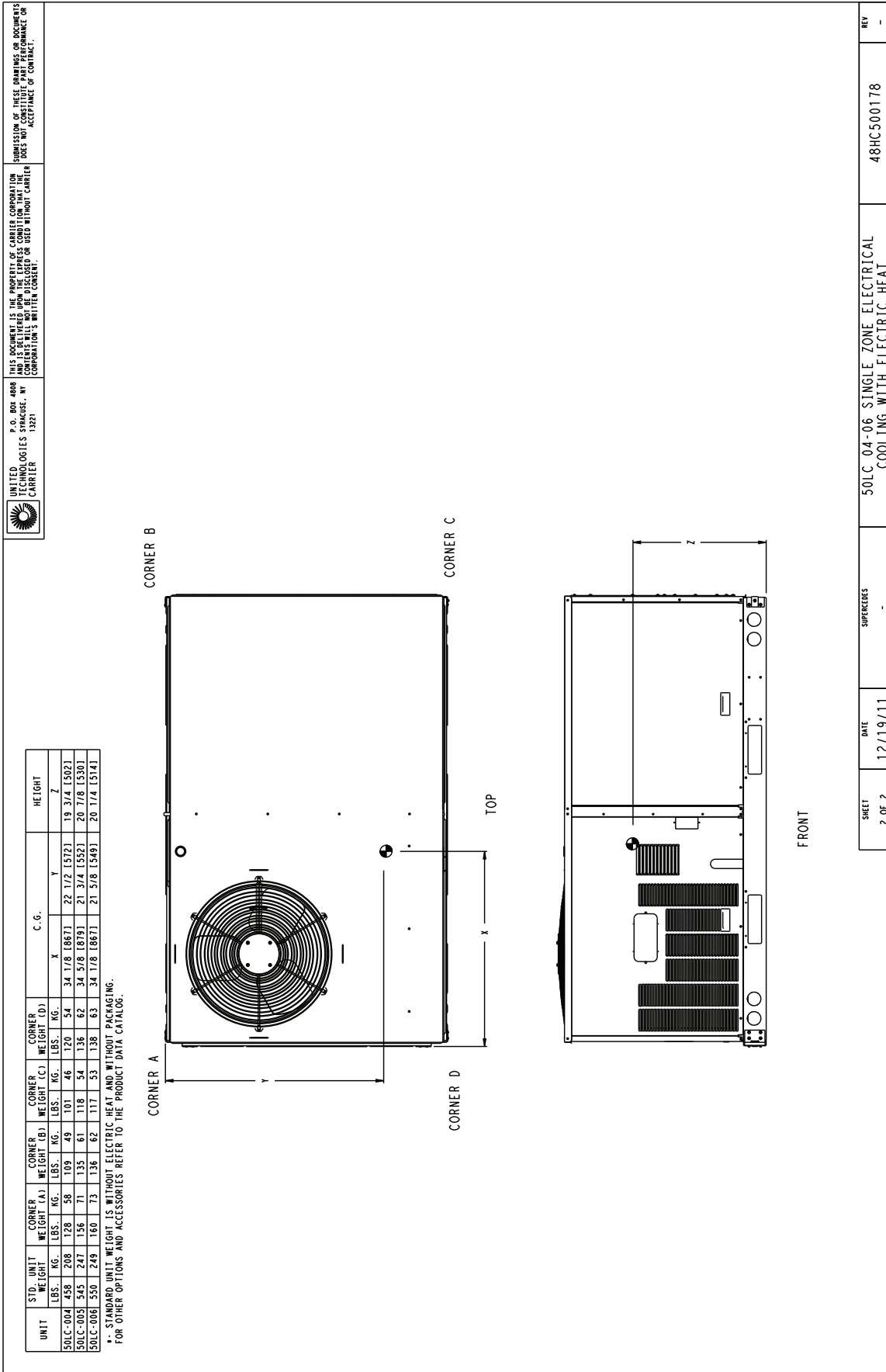
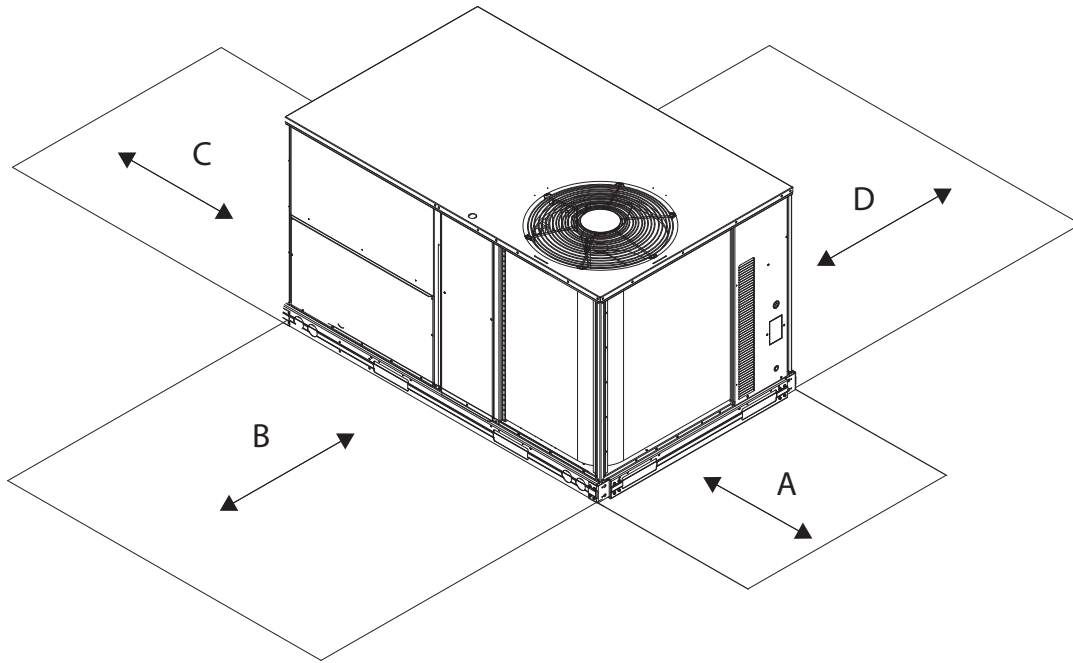


Fig. 4 - Dimensions 50LC 04-06

CURBS & WEIGHTS DIMENSIONS (cont.)



50LC

C08337

| LOCATION | DIMENSION | CONDITION |
|----------|---|--|
| A | 48-in (1219 mm) 18-in (457 mm) 18-in (457 mm) 12-in (305 mm) | Unit disconnect is mounted on panel No disconnect, convenience outlet option Recommended service clearance Minimum clearance |
| B | 40-in (1067 mm) 36-in (914 mm) Special | Surface behind servicer is grounded (e.g., metal, masonry wall) Surface behind servicer is electrically non-conductive (e.g., wood, fiberglass) Check sources of flue products within 10-ft of unit fresh air intake hood |
| C | 36-in (914 mm) 18-in (457 mm) | Side condensate drain is used Minimum clearance |
| D | 48-in (1219 mm) 42-in (1067 mm) 36-in (914 mm) Special | No flue discharge accessory installed, surface is combustible material Surface behind servicer is grounded (e.g., metal, masonry wall, another unit) Surface behind servicer is electrically non-conductive (e.g., wood, fiberglass) Check for adjacent units or building fresh air intakes within 10-ft (3 m) of this unit's flue outlet |

NOTE: Unit not designed to have overhead obstruction. Contact Application Engineering for guidance on any application planning overhead obstruction or for vertical clearances.

Fig. 5 - Service Clearance Dimensional Drawing

CURBS & WEIGHTS DIMENSIONS (cont.)

| CONNECTOR PKG. ACCY. | B | C | D ALT DRAIN HOLE | POWER | CONTROL | ACCESSORY POWER |
|----------------------|-------------------|-------------|------------------|---------------|-----------------|-----------------|
| CRBTMPWR001A01 | 1'-9 11/16" [551] | 1'-4" [406] | 1 3/4" [44.5] | 3/4" [19] NPT | 1/2" [12.7] NPT | 1/2" [12.7] NPT |
| CRBTMPWR003A01 | | | | 1 1/4" [31.7] | | |

| ROOFCURB ACCESSORY | A | UNIT SIZE |
|--------------------|-------------|-------------|
| CRRFCURB001A01 | 1'-2" [356] | 50LC**04-06 |
| CRRFCURB002A01 | 2'-0" [610] | |

NOTES:

1. Roof curb accessory is shipped disassembled.
2. Insulated panels.
3. Dimensions in [] are in millimeters.
4. Roof curb: galvanized steel.
5. Attach ductwork to curb (flanges for duct rest on curb).
6. Service clearance: 4 ft on each side.
7. Direction of airflow.

50LC

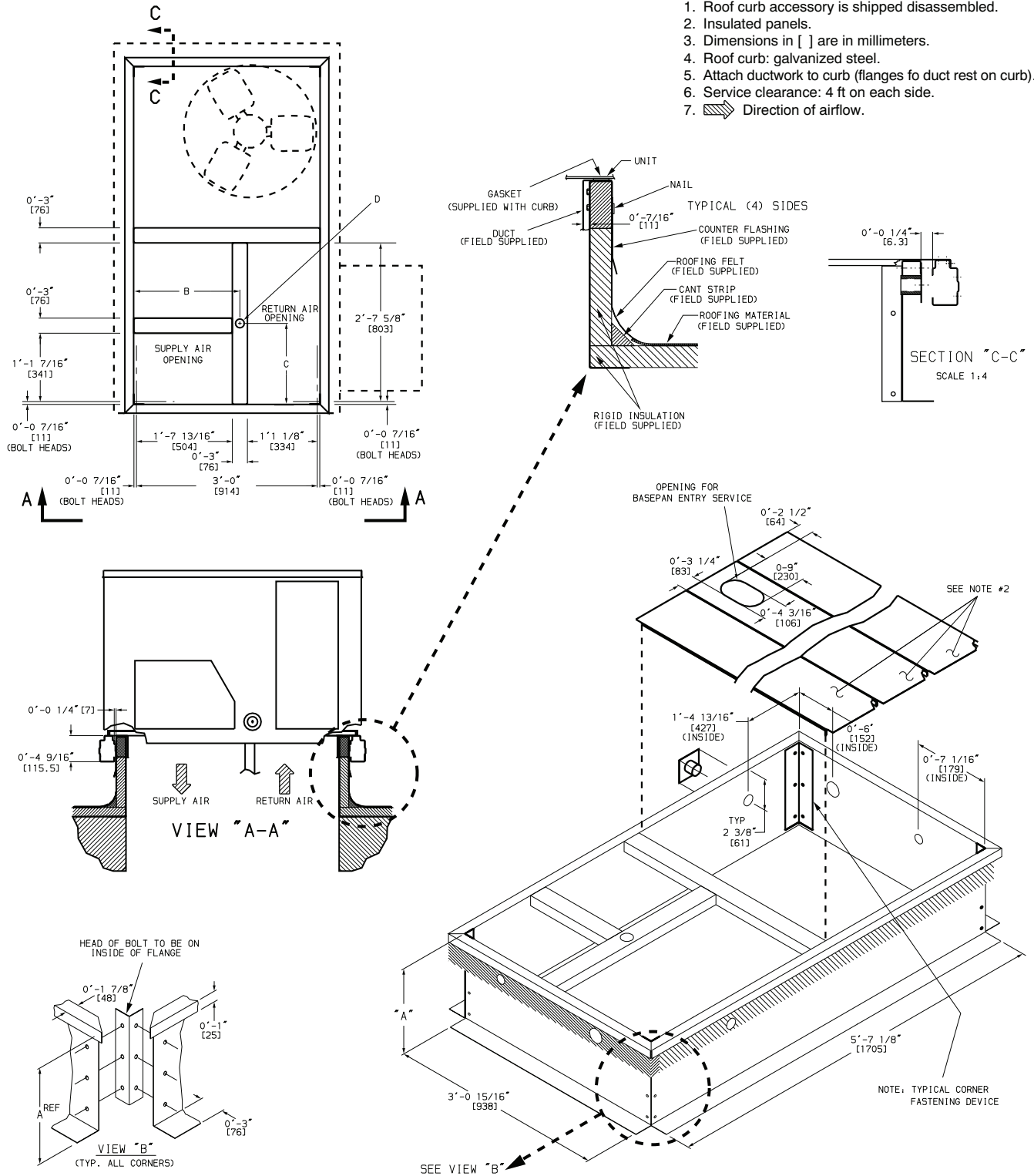


Fig. 6 - Roof Curb Details

C11377

OPTIONS & ACCESSORY WEIGHTS

| OPTION / ACCESSORY | OPTION / ACCESSORY WEIGHTS | | | | | |
|------------------------------------|----------------------------|----|-----|----|-----|----|
| | 04 | | 05 | | 06 | |
| | lb | kg | lb | kg | lb | kg |
| Power Exhaust – vertical | 50 | 23 | 50 | 23 | 50 | 23 |
| Power Exhaust – horizontal | 30 | 14 | 30 | 14 | 30 | 14 |
| EconoMi\$er X or 2 | 50 | 23 | 50 | 23 | 50 | 23 |
| Hail Guard (louvered) | 16 | 7 | 16 | 7 | 16 | 7 |
| Cu/Cu Condenser Coil | 35 | 16 | 35 | 16 | 35 | 16 |
| Cu/Cu Condenser & Evaporator Coils | 60 | 27 | 60 | 27 | 90 | 41 |
| Roof Curb (14–in. curb) | 115 | 43 | 115 | 43 | 115 | 43 |
| Roof Curb (24–in. curb) | 197 | 74 | 197 | 74 | 197 | 74 |
| CO ₂ sensor | 5 | 2 | 5 | 2 | 5 | 2 |
| Electric Heater | 30 | 14 | 30 | 14 | 30 | 14 |
| Single Point Kit | 10 | 5 | 10 | 5 | 10 | 5 |
| Optional Indoor Motor / Drive | 10 | 5 | 10 | 5 | 10 | 5 |
| Motor Master Controller | 35 | 16 | 35 | 16 | 35 | 16 |
| Return Smoke Detector | 5 | 2 | 5 | 2 | 5 | 2 |
| Supply Smoke Detector | 5 | 2 | 5 | 2 | 5 | 2 |
| Fan / Filter Status Switch | 2 | 1 | 2 | 1 | 2 | 1 |
| Non – Fused Disconnect | 15 | 7 | 15 | 7 | 15 | 7 |
| Powered Convenience outlet | 35 | 16 | 35 | 16 | 35 | 16 |
| Non – Powered Convenience outlet | 5 | 2 | 5 | 2 | 5 | 2 |
| Enthalpy Sensor | 2 | 1 | 2 | 1 | 2 | 1 |
| Differential Enthalpy Sensor | 3 | 1 | 3 | 1 | 3 | 1 |
| HACR Breaker | 15 | 7 | 15 | 7 | 15 | 7 |

50LC

APPLICATION DATA

Min operating ambient temp (cooling):

In mechanical cooling mode, your Carrier rooftop can safely operate down to an outdoor ambient temperature of 10°F (-12°C) and down to 0°F (-18°C) with ComfortLink controls. It is possible to provide cooling at lower outdoor ambient temperatures by using less outside air, economizers, and/or accessory low ambient kits.

Max operating ambient temp (cooling):

The maximum operating ambient temperature for cooling mode is 125°F (52°C). While cooling operation above 125°F (52°C) may be possible, it could cause either a reduction in performance, reliability, or a protective action by the unit's internal safety devices.

Min and max airflow (cooling mode):

To maintain safe and reliable operation of your rooftop, operate within the cooling airflow limits. Operating above the max may cause blow-off, undesired airflow noise, or airflow related problems with the rooftop unit. Operating below the min may cause problems with coil freeze-up.

Airflow:

All units are draw-through in cooling mode.

Outdoor air application strategies:

Economizers reduce operating expenses and compressor run time by providing a free source of cooling and a means of ventilation to match application changing needs. In fact, they should be considered for most applications. Also, consider the various economizer control methods and their benefits, as well as sensors required to accomplish your application goals. Please contact your local Carrier representative for assistance.

Motor limits, break horsepower (BHP):

Due to Carrier's internal unit design, air path, and specially designed motors, the full horsepower (maximum continuous BHP) band, as listed in Table 6 can be used with the utmost confidence. There is no need for extra safety factors, as Carrier's motors are designed and rigorously tested to use the entire, listed BHP range without either nuisance tripping or premature motor failure.

Sizing a rooftop

Bigger isn't necessarily better. While an air conditioner needs to have enough capacity to meet the load, it doesn't need excess capacity. In fact, having excess capacity typically results in very poor part load performance and humidity control.

Using higher design temperatures than ASHRAE recommends for your location, adding "safety factors" to the calculated load, and rounding up to the next largest unit, are all signs of oversizing air conditioners. Oversizing can cause short-cycling, and short cycling leads to poor humidity control, reduced efficiency, higher utility bills, drastic indoor temperature swings, excessive noise, and increased wear and tear on the air conditioner.

Rather than oversizing an air conditioner, wise contractors and engineers "right-size" or even slightly undersize air conditioners. Correctly sizing an air conditioner controls humidity better; promotes efficiency; reduces utility bills; extends equipment life, and maintains even, comfortable temperatures.

Low ambient applications

In low ambient applications where outside air might not be desired (such as contaminated or excessively humid outdoor environments), your Carrier rooftop can operate to ambient temperatures down to 10°F (-12°C) with electrical mechanical controls and down to 0°F (-18°C) with ComfortLink controls.

Table 10 – COOLING CAPACITIES - FIRST STAGE, PART LOAD

3 TONS

| 04 SIZE | | | | AMBIENT TEMPERATURE | | | | | | | | | | | | | | | |
|-------------|-------------|------------|------|---------------------|------|------|---------|------|------|---------|------|------|---------|------|------|---------|------|------|------|
| | | | | 85 | | | 95 | | | 105 | | | 115 | | | 125 | | | |
| | | | | EA (dB) | | | EA (dB) | | | EA (dB) | | | EA (dB) | | | EA (dB) | | | |
| | | | | 75 | 80 | 85 | 75 | 80 | 85 | 75 | 80 | 85 | 75 | 80 | 85 | 75 | 80 | 85 | |
| 750 Cfm | EA (wB) | 58 | THC | 24.1 | 24.1 | 27.3 | 22.8 | 22.8 | 25.9 | 21.4 | 21.4 | 24.3 | 19.9 | 19.9 | 22.6 | 18.2 | 18.2 | 20.7 | |
| | | | SHC | 20.9 | 24.1 | 27.3 | 19.7 | 22.8 | 25.9 | 18.5 | 21.4 | 24.3 | 17.1 | 19.9 | 22.6 | 15.6 | 18.2 | 20.7 | |
| | | 62 | THC | 24.8 | 24.8 | 27.2 | 23.2 | 23.2 | 26.3 | 21.5 | 21.5 | 25.2 | 19.9 | 19.9 | 23.6 | 18.2 | 18.2 | 21.6 | |
| | | | SHC | 19.4 | 23.3 | 27.2 | 18.5 | 22.4 | 26.3 | 17.5 | 21.3 | 25.2 | 16.2 | 19.9 | 23.6 | 14.7 | 18.2 | 21.6 | |
| | | 67 | THC | 27.5 | 27.5 | 27.5 | 25.7 | 25.7 | 25.7 | 23.9 | 23.9 | 23.9 | 21.9 | 21.9 | 21.9 | 19.7 | 19.7 | 19.8 | |
| | | | SHC | 15.7 | 19.7 | 23.7 | 14.9 | 18.8 | 22.8 | 13.9 | 17.9 | 21.8 | 13.0 | 16.9 | 20.9 | 11.9 | 15.9 | 19.8 | |
| | 72 | THC | 30.5 | 30.5 | 30.5 | 28.6 | 28.6 | 28.6 | 26.6 | 26.6 | 26.6 | 24.5 | 24.5 | 24.5 | 22.2 | 22.2 | 22.2 | | |
| | | SHC | 12.0 | 16.0 | 20.0 | 11.1 | 15.1 | 19.1 | 10.2 | 14.2 | 18.2 | 9.2 | 13.2 | 17.2 | 8.2 | 12.2 | 16.2 | | |
| | 76 | THC | - | 33.0 | 33.0 | - | 31.0 | 31.0 | - | 28.9 | 28.9 | - | 26.7 | 26.7 | - | 24.2 | 24.2 | | |
| | | SHC | - | 12.9 | 17.0 | - | 12.1 | 16.1 | - | 11.2 | 15.2 | - | 10.2 | 14.2 | - | 9.2 | 13.2 | | |
| | 900 Cfm | EA (wB) | 58 | THC | 25.8 | 25.8 | 29.2 | 24.4 | 24.4 | 27.6 | 22.8 | 22.8 | 25.9 | 21.2 | 21.2 | 24.1 | 19.4 | 19.4 | 22.1 |
| | | | | SHC | 22.4 | 25.8 | 29.2 | 21.1 | 24.4 | 27.6 | 19.7 | 22.8 | 25.9 | 18.3 | 21.2 | 24.1 | 16.7 | 19.4 | 22.1 |
| 62 | | | THC | 25.8 | 25.8 | 30.4 | 24.4 | 24.4 | 28.7 | 22.9 | 22.9 | 27.0 | 21.2 | 21.2 | 25.1 | 19.4 | 19.4 | 23.0 | |
| | | | SHC | 21.3 | 25.8 | 30.4 | 20.0 | 24.4 | 28.7 | 18.7 | 22.9 | 27.0 | 17.3 | 21.2 | 25.1 | 15.8 | 19.4 | 23.0 | |
| 67 | | | THC | 28.4 | 28.4 | 28.4 | 26.6 | 26.6 | 26.6 | 24.6 | 24.6 | 24.6 | 22.5 | 22.5 | 23.6 | 20.3 | 20.3 | 22.5 | |
| | | | SHC | 17.1 | 21.8 | 26.5 | 16.2 | 20.9 | 25.6 | 15.2 | 19.9 | 24.6 | 14.2 | 18.9 | 23.6 | 13.2 | 17.8 | 22.5 | |
| 72 | | THC | 31.4 | 31.4 | 31.4 | 29.4 | 29.4 | 29.4 | 27.4 | 27.4 | 27.4 | 25.2 | 25.2 | 25.2 | 22.7 | 22.7 | 22.7 | | |
| | | SHC | 12.6 | 17.3 | 22.1 | 11.7 | 16.4 | 21.2 | 10.8 | 15.5 | 20.2 | 9.8 | 14.5 | 19.2 | 8.8 | 13.5 | 18.2 | | |
| 76 | | THC | - | 34.0 | 34.0 | - | 31.9 | 31.9 | - | 29.7 | 29.7 | - | 27.4 | 27.4 | - | 24.8 | 24.8 | | |
| | | SHC | - | 13.7 | 18.5 | - | 12.8 | 17.6 | - | 11.9 | 16.7 | - | 10.9 | 15.7 | - | 9.9 | 14.6 | | |
| 1050 Cfm | | EA (wB) | 58 | THC | 27.1 | 27.1 | 30.7 | 25.6 | 25.6 | 29.0 | 24.0 | 24.0 | 27.2 | 22.2 | 22.2 | 25.3 | 20.3 | 20.3 | 23.2 |
| | | | | SHC | 23.6 | 27.1 | 30.7 | 22.2 | 25.6 | 29.0 | 20.8 | 24.0 | 27.2 | 19.2 | 22.2 | 25.3 | 17.5 | 20.3 | 23.2 |
| | 62 | | THC | 27.1 | 27.1 | 31.9 | 25.6 | 25.6 | 30.2 | 24.0 | 24.0 | 28.3 | 22.3 | 22.3 | 26.3 | 20.3 | 20.3 | 24.1 | |
| | | | SHC | 22.4 | 27.1 | 31.9 | 21.1 | 25.6 | 30.2 | 19.7 | 24.0 | 28.3 | 18.2 | 22.3 | 26.3 | 16.6 | 20.3 | 24.1 | |
| | 67 | | THC | 29.1 | 29.1 | 29.2 | 27.2 | 27.2 | 28.3 | 25.2 | 25.2 | 27.2 | 23.0 | 23.0 | 26.2 | 20.7 | 20.7 | 25.0 | |
| | | | SHC | 18.4 | 23.8 | 29.2 | 17.4 | 22.9 | 28.3 | 16.5 | 21.9 | 27.2 | 15.4 | 20.8 | 26.2 | 14.3 | 19.6 | 25.0 | |
| | 72 | THC | 32.1 | 32.1 | 32.1 | 30.1 | 30.1 | 30.1 | 27.9 | 27.9 | 27.9 | 25.6 | 25.6 | 25.6 | 23.2 | 23.2 | 23.2 | | |
| | | SHC | 13.2 | 18.6 | 24.1 | 12.3 | 17.7 | 23.1 | 11.3 | 16.8 | 22.2 | 10.3 | 15.8 | 21.2 | 9.3 | 14.7 | 20.1 | | |
| | 76 | THC | - | 34.7 | 34.7 | - | 32.6 | 32.6 | - | 30.3 | 30.3 | - | - | - | - | - | - | | |
| | | SHC | - | 14.4 | 19.9 | - | 13.5 | 19.0 | - | 12.6 | 18.1 | - | - | - | - | - | - | | |
| | 1200 Cfm | EA (wB) | 58 | THC | 28.2 | 28.2 | 31.9 | 26.6 | 26.6 | 30.2 | 24.9 | 24.9 | 28.3 | 23.1 | 23.1 | 26.2 | 21.1 | 21.1 | 24.0 |
| | | | | SHC | 24.5 | 28.2 | 31.9 | 23.1 | 26.6 | 30.2 | 21.6 | 24.9 | 28.3 | 20.0 | 23.1 | 26.2 | 18.2 | 21.1 | 24.0 |
| 62 | | | THC | 28.2 | 28.2 | 33.2 | 26.7 | 26.7 | 31.4 | 24.9 | 24.9 | 29.4 | 23.1 | 23.1 | 27.3 | 21.1 | 21.1 | 25.0 | |
| | | | SHC | 23.3 | 28.2 | 33.2 | 22.0 | 26.7 | 31.4 | 20.5 | 24.9 | 29.4 | 18.9 | 23.1 | 27.3 | 17.2 | 21.1 | 25.0 | |
| 67 | | | THC | 29.6 | 29.6 | 31.8 | 27.7 | 27.7 | 30.8 | 25.6 | 25.6 | 29.7 | 23.5 | 23.5 | 28.5 | 21.2 | 21.2 | 27.0 | |
| | | | SHC | 19.6 | 25.7 | 31.8 | 18.6 | 24.7 | 30.8 | 17.6 | 23.7 | 29.7 | 16.5 | 22.5 | 28.5 | 15.3 | 21.2 | 27.0 | |
| 72 | | THC | 32.6 | 32.6 | 32.6 | 30.6 | 30.6 | 30.6 | 28.4 | 28.4 | 28.4 | 26.0 | 26.0 | 26.0 | 23.5 | 23.5 | 23.5 | | |
| | | SHC | 13.7 | 19.8 | 26.0 | 12.8 | 18.9 | 25.1 | 11.8 | 18.0 | 24.1 | 10.8 | 16.9 | 23.1 | 9.8 | 15.9 | 22.0 | | |
| 76 | | THC | - | 35.2 | 35.2 | - | 33.1 | 33.1 | - | - | - | - | - | - | - | - | - | | |
| | | SHC | - | 15.1 | 21.3 | - | 14.1 | 20.3 | - | - | - | - | - | - | - | - | - | | |
| 1350 Cfm | | EA (wB) | 58 | THC | 29.1 | 29.1 | 32.9 | 27.5 | 27.5 | 31.1 | 25.7 | 25.7 | 29.2 | 23.8 | 23.8 | 27.0 | 21.7 | 21.7 | 24.7 |
| | | | | SHC | 25.3 | 29.1 | 32.9 | 23.9 | 27.5 | 31.1 | 22.3 | 25.7 | 29.2 | 20.6 | 23.8 | 27.0 | 18.7 | 21.7 | 24.7 |
| | 62 | | THC | 29.2 | 29.2 | 34.2 | 27.5 | 27.5 | 32.4 | 25.8 | 25.8 | 30.3 | 23.8 | 23.8 | 28.1 | 21.8 | 21.8 | 25.8 | |
| | | | SHC | 24.1 | 29.2 | 34.2 | 22.7 | 27.5 | 32.4 | 21.2 | 25.8 | 30.3 | 19.5 | 23.8 | 28.1 | 17.8 | 21.8 | 25.8 | |
| | 67 | | THC | 30.0 | 30.0 | 34.2 | 28.1 | 28.1 | 33.1 | 26.0 | 26.0 | 31.9 | 23.9 | 23.9 | 30.3 | 21.8 | 21.8 | 27.8 | |
| | | | SHC | 20.7 | 27.4 | 34.2 | 19.7 | 26.4 | 33.1 | 18.6 | 25.3 | 31.9 | 17.4 | 23.9 | 30.3 | 15.8 | 21.8 | 27.8 | |
| | 72 | THC | 33.0 | 33.0 | 33.0 | 30.9 | 30.9 | 30.9 | 28.7 | 28.7 | 28.7 | 26.3 | 26.3 | 26.3 | 23.7 | 23.7 | 23.8 | | |
| | | SHC | 14.2 | 21.0 | 27.9 | 13.2 | 20.1 | 26.9 | 12.3 | 19.1 | 26.0 | 11.3 | 18.1 | 24.9 | 10.2 | 17.0 | 23.8 | | |
| | 76 | THC | - | 35.7 | 35.7 | - | - | - | - | - | - | - | - | - | - | - | - | | |
| | | SHC | - | 15.7 | 22.6 | - | - | - | - | - | - | - | - | - | - | - | - | | |

LEGEND:

- Do not operate
- Cfm - Cubic feet per minute (supply air)
- EAT(db) - Entering air temperature (dry bulb)
- EAT(wb) - Entering air temperature (wet bulb)
- SHC - Sensible heat capacity
- TC - Total capacity

50LC

Table 11 – COOLING CAPACITIES - SECOND STAGE, FULL LOAD

3 TONS

| 04 SIZE | | | | AMBIENT TEMPERATURE | | | | | | | | | | | | | | | | |
|-------------|------------|-------------|------------|---------------------|------|------|---------|------|------|---------|------|------|---------|------|------|---------|------|------|------|------|
| | | | | 85 | | | 95 | | | 105 | | | 115 | | | 125 | | | | |
| | | | | EA (dB) | | | EA (dB) | | | EA (dB) | | | EA (dB) | | | EA (dB) | | | | |
| | | | | 75 | 80 | 85 | 75 | 80 | 85 | 75 | 80 | 85 | 75 | 80 | 85 | 75 | 80 | 85 | | |
| 900 Cfm | EA (wB) | 58 | THC | 31.5 | 31.5 | 35.8 | 29.8 | 29.8 | 33.9 | 27.9 | 27.9 | 31.9 | 25.9 | 25.9 | 29.7 | 23.9 | 23.9 | 27.4 | | |
| | | | SHC | 27.2 | 31.5 | 35.8 | 25.6 | 29.8 | 33.9 | 24 | 27.9 | 31.9 | 22.2 | 25.9 | 29.7 | 20.3 | 23.9 | 27.4 | | |
| | | 62 | THC | 33.4 | 33.4 | 34 | 31.3 | 31.3 | 32.7 | 29 | 29 | 31.3 | 26.6 | 26.6 | 29.8 | 24.1 | 24.1 | 28.2 | | |
| | | | SHC | 24.6 | 29.3 | 34 | 23.3 | 28 | 32.7 | 21.9 | 26.6 | 31.3 | 20.5 | 25.1 | 29.8 | 19 | 23.6 | 28.2 | | |
| | | 67 | THC | 37.3 | 37.3 | 37.3 | 35 | 35 | 35 | 32.5 | 32.5 | 32.5 | 29.9 | 29.9 | 29.9 | 27.2 | 27.2 | 27.2 | | |
| | | | SHC | 20.3 | 25 | 29.8 | 19 | 23.7 | 28.5 | 17.7 | 22.4 | 27.1 | 16.3 | 21 | 25.7 | 14.8 | 19.6 | 24.3 | | |
| | | 72 | THC | 41.5 | 41.5 | 41.5 | 39 | 39 | 39 | 36.3 | 36.3 | 36.3 | 33.6 | 33.6 | 33.6 | 30.6 | 30.6 | 30.6 | | |
| | | | SHC | 15.9 | 20.7 | 25.5 | 14.6 | 19.4 | 24.2 | 13.3 | 18.1 | 22.8 | 11.9 | 16.7 | 21.4 | 10.5 | 15.2 | 20 | | |
| | | 76 | THC | - | 45 | 45 | - | 42.4 | 42.4 | - | 39.6 | 39.6 | - | 36.7 | 36.7 | - | 33.5 | 33.5 | | |
| | | | SHC | - | 17.1 | 22.1 | - | 15.8 | 20.8 | - | 14.5 | 19.5 | - | 13.2 | 18.1 | - | 11.7 | 16.6 | | |
| | | 1050 Cfm | EA (wB) | 58 | THC | 33.6 | 33.6 | 38.1 | 31.7 | 31.7 | 36 | 29.7 | 29.7 | 33.9 | 27.6 | 27.6 | 31.6 | 25.4 | 25.4 | 29.1 |
| | | | | | SHC | 29 | 33.6 | 38.1 | 27.4 | 31.7 | 36 | 25.6 | 29.7 | 33.9 | 23.7 | 27.6 | 31.6 | 21.7 | 25.4 | 29.1 |
| | | | | 62 | THC | 34.7 | 34.7 | 37.5 | 32.5 | 32.5 | 36.1 | 30.1 | 30.1 | 34.6 | 27.7 | 27.7 | 33 | 25.4 | 25.4 | 30.4 |
| | | | | | SHC | 26.7 | 32.1 | 37.5 | 25.4 | 30.7 | 36.1 | 23.9 | 29.3 | 34.6 | 22.4 | 27.7 | 33 | 20.4 | 25.4 | 30.4 |
| 67 | THC | | | 38.6 | 38.6 | 38.6 | 36.1 | 36.1 | 36.1 | 33.6 | 33.6 | 33.6 | 30.9 | 30.9 | 30.9 | 28 | 28 | 28 | | |
| | SHC | | | 21.8 | 27.2 | 32.7 | 20.4 | 25.9 | 31.4 | 19.1 | 24.5 | 30 | 17.7 | 23.1 | 28.6 | 16.2 | 21.6 | 27.1 | | |
| 72 | THC | | | 42.8 | 42.8 | 42.8 | 40.2 | 40.2 | 40.2 | 37.5 | 37.5 | 37.5 | 34.6 | 34.6 | 34.6 | 31.5 | 31.5 | 31.5 | | |
| | SHC | | | 16.6 | 22.1 | 27.6 | 15.3 | 20.8 | 26.3 | 14 | 19.5 | 24.9 | 12.6 | 18 | 23.5 | 11.1 | 16.6 | 22.1 | | |
| 76 | THC | | | - | 46.4 | 46.4 | - | 43.6 | 43.6 | - | 40.7 | 40.7 | - | 37.7 | 37.7 | - | 34.4 | 34.4 | | |
| | SHC | | | - | 18 | 23.7 | - | 16.7 | 22.3 | - | 15.3 | 21 | - | 13.9 | 19.5 | - | 12.5 | 18.1 | | |
| 1200 Cfm | EA (wB) | | | 58 | THC | 35.3 | 35.3 | 40 | 33.3 | 33.3 | 37.9 | 31.3 | 31.3 | 35.6 | 29 | 29 | 33.2 | 26.7 | 26.7 | 30.6 |
| | | | | | SHC | 30.6 | 35.3 | 40 | 28.8 | 33.3 | 37.9 | 26.9 | 31.3 | 35.6 | 24.9 | 29 | 33.2 | 22.8 | 26.7 | 30.6 |
| | | | | 62 | THC | 35.8 | 35.8 | 40.8 | 33.6 | 33.6 | 39.1 | 31.3 | 31.3 | 37.1 | 29.1 | 29.1 | 34.6 | 26.7 | 26.7 | 31.9 |
| | | | | | SHC | 28.7 | 34.7 | 40.8 | 27.2 | 33.2 | 39.1 | 25.5 | 31.3 | 37.1 | 23.6 | 29.1 | 34.6 | 21.5 | 26.7 | 31.9 |
| | | 67 | THC | 39.6 | 39.6 | 39.6 | 37 | 37 | 37 | 34.4 | 34.4 | 34.4 | 31.6 | 31.6 | 31.6 | 28.6 | 28.6 | 29.7 | | |
| | | | SHC | 23.1 | 29.3 | 35.5 | 21.8 | 27.9 | 34.1 | 20.4 | 26.6 | 32.7 | 18.9 | 25.1 | 31.3 | 17.4 | 23.6 | 29.7 | | |
| | | 72 | THC | 43.9 | 43.9 | 43.9 | 41.2 | 41.2 | 41.2 | 38.3 | 38.3 | 38.3 | 35.3 | 35.3 | 35.3 | 32.1 | 32.1 | 32.1 | | |
| | | | SHC | 17.3 | 23.5 | 29.7 | 15.9 | 22.2 | 28.4 | 14.6 | 20.8 | 27 | 13.1 | 19.3 | 25.5 | 11.7 | 17.9 | 24 | | |
| | | 76 | THC | - | 47.5 | 47.5 | - | 44.6 | 44.6 | - | 41.6 | 41.6 | - | 38.4 | 38.4 | - | 35.1 | 35.1 | | |
| | | | SHC | - | 18.8 | 25.2 | - | 17.4 | 23.8 | - | 16.1 | 22.4 | - | 14.7 | 21 | - | 13.2 | 19.5 | | |
| | | 1350 Cfm | EA (wB) | 58 | THC | 36.8 | 36.8 | 41.7 | 34.7 | 34.7 | 39.4 | 32.5 | 32.5 | 37 | 30.2 | 30.2 | 34.5 | 27.8 | 27.8 | 31.8 |
| | | | | | SHC | 31.9 | 36.8 | 41.7 | 30 | 34.7 | 39.4 | 28.1 | 32.5 | 37 | 26 | 30.2 | 34.5 | 23.8 | 27.8 | 31.8 |
| | | | | 62 | THC | 36.8 | 36.8 | 43.4 | 34.8 | 34.8 | 41 | 32.6 | 32.6 | 38.6 | 30.3 | 30.3 | 36 | 27.8 | 27.8 | 33.2 |
| | | | | | SHC | 30.3 | 36.8 | 43.4 | 28.5 | 34.8 | 41 | 26.6 | 32.6 | 38.6 | 24.6 | 30.3 | 36 | 22.5 | 27.8 | 33.2 |
| 67 | THC | | | 40.4 | 40.4 | 40.4 | 37.8 | 37.8 | 37.8 | 35 | 35 | 35.4 | 32.2 | 32.2 | 33.9 | 29.2 | 29.2 | 32.3 | | |
| | SHC | | | 24.4 | 31.3 | 38.2 | 23 | 29.9 | 36.8 | 21.6 | 28.5 | 35.4 | 20.2 | 27 | 33.9 | 18.6 | 25.4 | 32.3 | | |
| 72 | THC | | | 44.7 | 44.7 | 44.7 | 41.9 | 41.9 | 41.9 | 39 | 39 | 39 | 35.9 | 35.9 | 35.9 | 32.7 | 32.7 | 32.7 | | |
| | SHC | | | 17.9 | 24.8 | 31.7 | 16.5 | 23.4 | 30.3 | 15.1 | 22 | 28.9 | 13.7 | 20.6 | 27.5 | 12.2 | 19.1 | 26 | | |
| 76 | THC | | | - | 48.3 | 48.3 | - | 45.4 | 45.4 | - | 42.3 | 42.3 | - | 39.1 | 39.1 | - | 35.6 | 35.6 | | |
| | SHC | | | - | 19.5 | 26.6 | - | 18.1 | 25.2 | - | 16.8 | 23.8 | - | 15.3 | 22.3 | - | 13.8 | 20.8 | | |
| 1500 Cfm | EA (wB) | | | 58 | THC | 38.1 | 38.1 | 43.1 | 35.9 | 35.9 | 40.8 | 33.7 | 33.7 | 38.3 | 31.3 | 31.3 | 35.6 | 28.7 | 28.7 | 32.8 |
| | | | | | SHC | 33 | 38.1 | 43.1 | 31.1 | 35.9 | 40.8 | 29 | 33.7 | 38.3 | 26.9 | 31.3 | 35.6 | 24.6 | 28.7 | 32.8 |
| | | | | 62 | THC | 38.1 | 38.1 | 44.8 | 36 | 36 | 42.4 | 33.7 | 33.7 | 39.9 | 31.3 | 31.3 | 37.1 | 28.7 | 28.7 | 34.2 |
| | | | | | SHC | 31.4 | 38.1 | 44.8 | 29.5 | 36 | 42.4 | 27.5 | 33.7 | 39.9 | 25.5 | 31.3 | 37.1 | 23.2 | 28.7 | 34.2 |
| | | 67 | THC | 41 | 41 | 41 | 38.4 | 38.4 | 39.3 | 35.6 | 35.6 | 37.9 | 32.7 | 32.7 | 36.3 | 29.6 | 29.6 | 34.6 | | |
| | | | SHC | 25.6 | 33.2 | 40.8 | 24.2 | 31.8 | 39.3 | 22.8 | 30.3 | 37.9 | 21.3 | 28.8 | 36.3 | 19.7 | 27.2 | 34.6 | | |
| | | 72 | THC | 45.4 | 45.4 | 45.4 | 42.5 | 42.5 | 42.5 | 39.5 | 39.5 | 39.5 | 36.4 | 36.4 | 36.4 | 33.1 | 33.1 | 33.1 | | |
| | | | SHC | 18.4 | 26 | 33.6 | 17 | 24.6 | 32.2 | 15.6 | 23.2 | 30.8 | 14.2 | 21.8 | 29.3 | 12.7 | 20.2 | 27.8 | | |
| | | 76 | THC | - | 49 | 49 | - | 46 | 46 | - | 42.9 | 42.9 | - | 39.6 | 39.6 | - | 36 | 36 | | |
| | | | SHC | - | 20.2 | 27.9 | - | 18.8 | 26.5 | - | 17.4 | 25.1 | - | 16 | 23.6 | - | 14.5 | 22.1 | | |

LEGEND:

- Do not operate
- Cfm - Cubic feet per minute (supply air)
- EAT(db) - Entering air temperature (dry bulb)
- EAT(wb) - Entering air temperature (wet bulb)
- SHC - Sensible heat capacity
- TC - Total capacity

Table 12 – COOLING CAPACITIES - FIRST STAGE PART LOAD

4 TONS

| 05 SIZE | | | | AMBIENT TEMPERATURE | | | | | | | | | | | | | | | |
|-------------|-------------|------------|------|---------------------|------|------|---------|------|------|---------|------|------|---------|------|------|---------|------|------|------|
| | | | | 85 | | | 95 | | | 105 | | | 115 | | | 125 | | | |
| | | | | EA (dB) | | | EA (dB) | | | EA (dB) | | | EA (dB) | | | EA (dB) | | | |
| | | | | 75 | 80 | 85 | 75 | 80 | 85 | 75 | 80 | 85 | 75 | 80 | 85 | 75 | 80 | 85 | |
| 1000 Cfm | EA (wB) | 58 | THC | 32.0 | 32.0 | 36.3 | 30.5 | 30.5 | 34.6 | 28.8 | 28.8 | 32.7 | 26.9 | 26.9 | 30.6 | 24.8 | 24.8 | 28.3 | |
| | | | SHC | 27.8 | 32.0 | 36.3 | 26.4 | 30.5 | 34.6 | 24.9 | 28.8 | 32.7 | 23.2 | 26.9 | 30.6 | 21.4 | 24.8 | 28.3 | |
| | | 62 | THC | 33.2 | 33.2 | 35.6 | 31.3 | 31.3 | 34.5 | 29.3 | 29.3 | 33.2 | 27.1 | 27.1 | 31.7 | 24.9 | 24.9 | 29.5 | |
| | | | SHC | 25.6 | 30.6 | 35.6 | 24.5 | 29.5 | 34.5 | 23.3 | 28.2 | 33.2 | 21.9 | 26.8 | 31.7 | 20.3 | 24.9 | 29.5 | |
| | | 67 | THC | 36.9 | 36.9 | 36.9 | 34.8 | 34.8 | 34.8 | 32.6 | 32.6 | 32.6 | 30.1 | 30.1 | 30.1 | 27.4 | 27.4 | 27.4 | |
| | | | SHC | 21.0 | 26.0 | 31.1 | 19.9 | 25.0 | 30.0 | 18.8 | 23.8 | 28.9 | 17.6 | 22.6 | 27.6 | 16.3 | 21.3 | 26.3 | |
| | 72 | THC | 41.0 | 41.0 | 41.0 | 38.7 | 38.7 | 38.7 | 36.3 | 36.3 | 36.3 | 33.7 | 33.7 | 33.7 | 30.8 | 30.8 | 30.8 | | |
| | | SHC | 16.2 | 21.3 | 26.4 | 15.1 | 20.2 | 25.3 | 14.0 | 19.1 | 24.2 | 12.9 | 17.9 | 23.0 | 11.6 | 16.6 | 21.7 | | |
| | 76 | THC | - | 44.4 | 44.4 | - | 42.1 | 42.1 | - | 39.5 | 39.5 | - | 36.7 | 36.7 | - | 33.6 | 33.6 | | |
| | | SHC | - | 17.4 | 22.8 | - | 16.4 | 21.7 | - | 15.3 | 20.6 | - | 14.1 | 19.3 | - | 12.9 | 18.0 | | |
| | 1200 Cfm | EA (wB) | 58 | THC | 34.2 | 34.2 | 38.7 | 32.6 | 32.6 | 36.9 | 30.7 | 30.7 | 34.8 | 28.7 | 28.7 | 32.6 | 26.5 | 26.5 | 30.1 |
| | | | | SHC | 29.7 | 34.2 | 38.7 | 28.2 | 32.6 | 36.9 | 26.6 | 30.7 | 34.8 | 24.8 | 28.7 | 32.6 | 22.8 | 26.5 | 30.1 |
| 62 | | | THC | 34.6 | 34.6 | 39.6 | 32.6 | 32.6 | 38.4 | 30.8 | 30.8 | 36.3 | 28.7 | 28.7 | 33.9 | 26.5 | 26.5 | 31.4 | |
| | | | SHC | 28.0 | 33.8 | 39.6 | 26.9 | 32.6 | 38.4 | 25.3 | 30.8 | 36.3 | 23.5 | 28.7 | 33.9 | 21.6 | 26.5 | 31.4 | |
| 67 | | | THC | 38.2 | 38.2 | 38.2 | 36.0 | 36.0 | 36.0 | 33.7 | 33.7 | 33.7 | 31.1 | 31.1 | 31.1 | 28.2 | 28.2 | 29.6 | |
| | | | SHC | 22.7 | 28.6 | 34.6 | 21.6 | 27.5 | 33.5 | 20.4 | 26.4 | 32.3 | 19.2 | 25.1 | 31.0 | 17.8 | 23.7 | 29.6 | |
| 72 | | THC | 42.3 | 42.3 | 42.3 | 40.0 | 40.0 | 40.0 | 37.5 | 37.5 | 37.5 | 34.7 | 34.7 | 34.7 | 31.7 | 31.7 | 31.7 | | |
| | | SHC | 17.0 | 23.0 | 29.0 | 15.9 | 21.9 | 27.9 | 14.8 | 20.7 | 26.7 | 13.6 | 19.5 | 25.5 | 12.3 | 18.2 | 24.1 | | |
| 76 | | THC | - | 45.8 | 45.8 | - | 43.4 | 43.4 | - | 40.7 | 40.7 | - | 37.7 | 37.7 | - | 34.5 | 34.5 | | |
| | | SHC | - | 18.4 | 24.6 | - | 17.3 | 23.5 | - | 16.2 | 22.3 | - | 15.0 | 21.1 | - | 13.7 | 19.7 | | |
| 1400 Cfm | | EA (wB) | 58 | THC | 36.0 | 36.0 | 40.7 | 34.2 | 34.2 | 38.7 | 32.3 | 32.3 | 36.6 | 30.1 | 30.1 | 34.2 | 27.8 | 27.8 | 31.6 |
| | | | | SHC | 31.3 | 36.0 | 40.7 | 29.7 | 34.2 | 38.7 | 28.0 | 32.3 | 36.6 | 26.1 | 30.1 | 34.2 | 24.0 | 27.8 | 31.6 |
| | 62 | | THC | 36.0 | 36.0 | 42.3 | 34.3 | 34.3 | 40.3 | 32.3 | 32.3 | 38.1 | 30.2 | 30.2 | 35.6 | 27.8 | 27.8 | 32.9 | |
| | | | SHC | 29.8 | 36.0 | 42.3 | 28.2 | 34.3 | 40.3 | 26.6 | 32.3 | 38.1 | 24.7 | 30.2 | 35.6 | 22.7 | 27.8 | 32.9 | |
| | 67 | | THC | 39.1 | 39.1 | 39.1 | 36.9 | 36.9 | 36.9 | 34.5 | 34.5 | 35.5 | 31.8 | 31.8 | 34.2 | 28.9 | 28.9 | 32.7 | |
| | | | SHC | 24.2 | 31.1 | 37.9 | 23.1 | 29.9 | 36.8 | 21.9 | 28.7 | 35.5 | 20.7 | 27.4 | 34.2 | 19.3 | 26.0 | 32.7 | |
| | 72 | THC | 43.3 | 43.3 | 43.3 | 40.9 | 40.9 | 40.9 | 38.3 | 38.3 | 38.3 | 35.5 | 35.5 | 35.5 | 32.3 | 32.3 | 32.3 | | |
| | | SHC | 17.7 | 24.5 | 31.4 | 16.6 | 23.4 | 30.3 | 15.5 | 22.3 | 29.1 | 14.2 | 21.0 | 27.8 | 12.9 | 19.7 | 26.4 | | |
| | 76 | THC | - | 46.9 | 46.9 | - | 44.3 | 44.3 | - | 41.5 | 41.5 | - | 38.5 | 38.5 | - | 35.2 | 35.2 | | |
| | | SHC | - | 19.3 | 26.3 | - | 18.2 | 25.2 | - | 17.0 | 24.0 | - | 15.8 | 22.7 | - | 14.5 | 21.3 | | |
| | 1600 Cfm | EA (wB) | 58 | THC | 37.5 | 37.5 | 42.3 | 35.6 | 35.6 | 40.3 | 33.6 | 33.6 | 38.0 | 31.3 | 31.3 | 35.5 | 28.9 | 28.9 | 32.8 |
| | | | | SHC | 32.6 | 37.5 | 42.3 | 30.9 | 35.6 | 40.3 | 29.1 | 33.6 | 38.0 | 27.1 | 31.3 | 35.5 | 24.9 | 28.9 | 32.8 |
| 62 | | | THC | 37.5 | 37.5 | 44.0 | 35.6 | 35.6 | 41.9 | 33.6 | 33.6 | 39.6 | 31.4 | 31.4 | 37.0 | 28.9 | 28.9 | 34.2 | |
| | | | SHC | 31.0 | 37.5 | 44.0 | 29.4 | 35.6 | 41.9 | 27.6 | 33.6 | 39.6 | 25.7 | 31.4 | 37.0 | 23.6 | 28.9 | 34.2 | |
| 67 | | | THC | 39.9 | 39.9 | 41.0 | 37.6 | 37.6 | 39.8 | 35.1 | 35.1 | 38.5 | 32.4 | 32.4 | 37.1 | 29.4 | 29.4 | 35.4 | |
| | | | SHC | 25.7 | 33.4 | 41.0 | 24.6 | 32.2 | 39.8 | 23.3 | 30.9 | 38.5 | 22.0 | 29.5 | 37.1 | 20.5 | 28.0 | 35.4 | |
| 72 | | THC | 44.1 | 44.1 | 44.1 | 41.6 | 41.6 | 41.6 | 39.0 | 39.0 | 39.0 | 36.0 | 36.0 | 36.0 | 32.8 | 32.8 | 32.8 | | |
| | | SHC | 18.3 | 26.0 | 33.7 | 17.2 | 24.9 | 32.5 | 16.1 | 23.7 | 31.3 | 14.8 | 22.4 | 30.0 | 13.5 | 21.1 | 28.6 | | |
| 76 | | THC | - | 47.7 | 47.7 | - | 45.1 | 45.1 | - | 42.2 | 42.2 | - | 39.1 | 39.1 | - | 35.7 | 35.7 | | |
| | | SHC | - | 20.1 | 27.9 | - | 19.0 | 26.7 | - | 17.8 | 25.5 | - | 16.5 | 24.2 | - | 15.2 | 22.8 | | |
| 1800 Cfm | | EA (wB) | 58 | THC | 38.7 | 38.7 | 43.7 | 36.8 | 36.8 | 41.6 | 34.7 | 34.7 | 39.2 | 32.3 | 32.3 | 36.7 | 29.8 | 29.8 | 33.8 |
| | | | | SHC | 33.7 | 38.7 | 43.7 | 31.9 | 36.8 | 41.6 | 30.1 | 34.7 | 39.2 | 28.0 | 32.3 | 36.7 | 25.7 | 29.8 | 33.8 |
| | 62 | | THC | 38.7 | 38.7 | 45.4 | 36.8 | 36.8 | 43.2 | 34.7 | 34.7 | 40.8 | 32.4 | 32.4 | 38.2 | 29.8 | 29.8 | 35.2 | |
| | | | SHC | 32.0 | 38.7 | 45.4 | 30.4 | 36.8 | 43.2 | 28.5 | 34.7 | 40.8 | 26.6 | 32.4 | 38.2 | 24.4 | 29.8 | 35.2 | |
| | 67 | | THC | 40.5 | 40.5 | 44.0 | 38.1 | 38.1 | 42.7 | 35.6 | 35.6 | 41.3 | 32.9 | 32.9 | 39.7 | 30.0 | 30.0 | 37.6 | |
| | | | SHC | 27.1 | 35.5 | 44.0 | 25.9 | 34.3 | 42.7 | 24.6 | 33.0 | 41.3 | 23.2 | 31.5 | 39.7 | 21.6 | 29.6 | 37.6 | |
| | 72 | THC | 44.7 | 44.7 | 44.7 | 42.2 | 42.2 | 42.2 | 39.5 | 39.5 | 39.5 | 36.5 | 36.5 | 36.5 | 33.2 | 33.2 | 33.2 | | |
| | | SHC | 18.9 | 27.4 | 35.9 | 17.8 | 26.3 | 34.8 | 16.6 | 25.1 | 33.5 | 15.4 | 23.8 | 32.2 | 14.0 | 22.4 | 30.8 | | |
| | 76 | THC | - | 48.4 | 48.4 | - | 45.6 | 45.6 | - | 42.7 | 42.7 | - | 39.5 | 39.5 | - | 36.1 | 36.1 | | |
| | | SHC | - | 20.8 | 29.4 | - | 19.7 | 28.2 | - | 18.5 | 27.0 | - | 17.2 | 25.6 | - | 15.8 | 24.1 | | |

LEGEND:

- Do not operate
- Cfm - Cubic feet per minute (supply air)
- EAT(db) - Entering air temperature (dry bulb)
- EAT(wb) - Entering air temperature (wet bulb)
- SHC - Sensible heat capacity
- TC - Total capacity

50LC

Table 13 – COOLING CAPACITIES - SECOND STAGE FULL LOAD

4 TONS

50LC

| 05 SIZE | | | | AMBIENT TEMPERATURE | | | | | | | | | | | | | | | |
|-------------|-------------|------------|------|---------------------|------|------|---------|------|------|---------|------|------|---------|------|------|---------|------|------|------|
| | | | | 85 | | | 95 | | | 105 | | | 115 | | | 125 | | | |
| | | | | EA (dB) | | | EA (dB) | | | EA (dB) | | | EA (dB) | | | EA (dB) | | | |
| | | | | 75 | 80 | 85 | 75 | 80 | 85 | 75 | 80 | 85 | 75 | 80 | 85 | 75 | 80 | 85 | |
| 1200 Cfm | EA (wb) | 58 | THC | 42.0 | 42.0 | 47.6 | 39.8 | 39.8 | 45.2 | 37.5 | 37.5 | 42.6 | 35.0 | 35.0 | 39.9 | 32.5 | 32.5 | 37.1 | |
| | | | SHC | 36.4 | 42.0 | 47.6 | 34.4 | 39.8 | 45.2 | 32.3 | 37.5 | 42.6 | 30.1 | 35.0 | 39.9 | 27.8 | 32.5 | 37.1 | |
| | | 62 | THC | 44.7 | 44.7 | 44.7 | 42.0 | 42.0 | 43.1 | 39.1 | 39.1 | 41.4 | 36.1 | 36.1 | 39.6 | 33.0 | 33.0 | 37.7 | |
| | | | SHC | 32.7 | 38.7 | 44.7 | 31.1 | 37.1 | 43.1 | 29.4 | 35.4 | 41.4 | 27.7 | 33.7 | 39.6 | 25.9 | 31.8 | 37.7 | |
| | | 67 | THC | 49.4 | 49.4 | 49.4 | 46.5 | 46.5 | 46.5 | 43.4 | 43.4 | 43.4 | 40.2 | 40.2 | 40.2 | 36.8 | 36.8 | 36.8 | |
| | | | SHC | 27 | 33.1 | 39.1 | 25.5 | 31.5 | 37.5 | 23.8 | 29.9 | 35.9 | 22.2 | 28.2 | 34.2 | 20.4 | 26.5 | 32.5 | |
| | 72 | THC | 54.5 | 54.5 | 54.5 | 51.4 | 51.4 | 51.4 | 48.1 | 48.1 | 48.1 | 44.6 | 44.6 | 44.6 | 41.0 | 41.0 | 41.0 | | |
| | | SHC | 21.2 | 27.4 | 33.5 | 19.7 | 25.8 | 31.9 | 18.1 | 24.2 | 30.3 | 16.4 | 22.5 | 28.6 | 14.7 | 20.8 | 26.9 | | |
| | 76 | THC | - | 58.8 | 58.8 | - | 55.4 | 55.4 | - | 51.9 | 51.9 | - | 48.2 | 48.2 | - | 44.4 | 44.4 | | |
| | | SHC | - | 22.7 | 29.3 | - | 21.1 | 27.7 | - | 19.6 | 26.1 | - | 17.9 | 24.4 | - | 16.2 | 22.6 | | |
| | 1400 Cfm | EA (wb) | 58 | THC | 44.5 | 44.5 | 50.4 | 42.1 | 42.1 | 47.8 | 39.7 | 39.7 | 45.1 | 37.1 | 37.1 | 42.2 | 34.3 | 34.3 | 39.2 |
| | | | | SHC | 38.6 | 44.5 | 50.4 | 36.5 | 42.1 | 47.8 | 34.3 | 39.7 | 45.1 | 31.9 | 37.1 | 42.2 | 29.5 | 34.3 | 39.2 |
| 62 | | | THC | 46.3 | 46.3 | 49.1 | 43.4 | 43.4 | 47.3 | 40.5 | 40.5 | 45.5 | 37.4 | 37.4 | 43.4 | 34.4 | 34.4 | 40.9 | |
| | | | SHC | 35.3 | 42.2 | 49.1 | 33.6 | 40.5 | 47.3 | 31.9 | 38.7 | 45.5 | 30.0 | 36.7 | 43.4 | 27.9 | 34.4 | 40.9 | |
| 67 | | | THC | 51.0 | 51.0 | 51.0 | 48.0 | 48 | 48.0 | 44.7 | 44.7 | 44.7 | 41.4 | 41.4 | 41.4 | 37.8 | 37.8 | 37.8 | |
| | | | SHC | 28.8 | 35.7 | 42.7 | 27.2 | 34.1 | 41.1 | 25.5 | 32.5 | 39.4 | 23.8 | 30.7 | 37.7 | 22.1 | 29.0 | 35.9 | |
| 72 | | THC | 56.2 | 56.2 | 56.2 | 52.9 | 52.9 | 52.9 | 49.4 | 49.4 | 49.4 | 45.8 | 45.8 | 45.8 | 42.0 | 42.0 | 42.0 | | |
| | | SHC | 22.1 | 29.1 | 36.1 | 20.5 | 27.5 | 34.5 | 18.9 | 25.8 | 32.8 | 17.2 | 24.1 | 31.1 | 15.5 | 22.4 | 29.3 | | |
| 76 | | THC | - | 60.4 | 60.4 | - | 56.9 | 56.9 | - | 53.3 | 53.3 | - | 49.4 | 49.4 | - | 45.4 | 45.4 | | |
| | | SHC | - | 23.7 | 31.2 | - | 22.1 | 29.5 | - | 20.5 | 27.8 | - | 18.8 | 26.1 | - | 17.1 | 24.3 | | |
| 1600 Cfm | | EA (wb) | 58 | THC | 46.6 | 46.6 | 52.7 | 44.1 | 44.1 | 50.0 | 41.5 | 41.5 | 47.2 | 38.8 | 38.8 | 44.1 | 35.9 | 35.9 | 40.9 |
| | | | | SHC | 40.4 | 46.6 | 52.7 | 38.2 | 44.1 | 50.0 | 35.9 | 41.5 | 47.2 | 33.4 | 38.8 | 44.1 | 30.8 | 35.9 | 40.9 |
| | 62 | | THC | 47.6 | 47.6 | 53.0 | 44.7 | 44.7 | 51.1 | 41.6 | 41.6 | 49.2 | 38.8 | 38.8 | 46.0 | 35.9 | 35.9 | 42.7 | |
| | | | SHC | 37.7 | 45.3 | 53.0 | 35.9 | 43.5 | 51.1 | 34.1 | 41.6 | 49.2 | 31.7 | 38.8 | 46.0 | 29.2 | 35.9 | 42.7 | |
| | 67 | | THC | 52.3 | 52.3 | 52.3 | 49.1 | 49.1 | 49.1 | 45.8 | 45.8 | 45.8 | 42.3 | 42.3 | 42.3 | 38.6 | 38.6 | 39.1 | |
| | | | SHC | 30.4 | 38.3 | 46.1 | 28.8 | 36.6 | 44.4 | 27.1 | 34.9 | 42.7 | 25.4 | 33.2 | 40.9 | 23.6 | 31.3 | 39.1 | |
| | 72 | THC | 57.4 | 57.4 | 57.4 | 54.0 | 54.0 | 54.0 | 50.5 | 50.5 | 50.5 | 46.7 | 46.7 | 46.7 | 42.8 | 42.8 | 42.8 | | |
| | | SHC | 22.8 | 30.7 | 38.6 | 21.2 | 29.1 | 36.9 | 19.6 | 27.4 | 35.2 | 17.9 | 25.7 | 33.5 | 16.1 | 23.9 | 31.7 | | |
| | 76 | THC | - | 61.7 | 61.7 | - | 58.1 | 58.1 | - | 54.3 | 54.3 | - | 50.3 | 50.3 | - | 46.2 | 46.2 | | |
| | | SHC | - | 24.6 | 32.9 | - | 23 | 31.2 | - | 21.4 | 29.5 | - | 19.7 | 27.7 | - | 17.9 | 25.9 | | |
| | 1800 Cfm | EA (wb) | 58 | THC | 48.4 | 48.4 | 54.7 | 45.8 | 45.8 | 51.9 | 43.1 | 43.1 | 48.9 | 40.2 | 40.2 | 45.7 | 37.2 | 37.2 | 42.4 |
| | | | | SHC | 42.0 | 48.4 | 54.7 | 39.7 | 45.8 | 51.9 | 37.3 | 43.1 | 48.9 | 34.7 | 40.2 | 45.7 | 32.0 | 37.2 | 42.4 |
| 62 | | | THC | 48.8 | 48.8 | 56.4 | 45.9 | 45.9 | 54.0 | 43.1 | 43.1 | 50.9 | 40.2 | 40.2 | 47.6 | 37.2 | 37.2 | 44.2 | |
| | | | SHC | 39.7 | 48.1 | 56.4 | 37.7 | 45.9 | 54.0 | 35.4 | 43.1 | 50.9 | 32.9 | 40.2 | 47.6 | 30.3 | 37.2 | 44.2 | |
| 67 | | | THC | 53.3 | 53.3 | 53.3 | 50.0 | 50 | 50.0 | 46.6 | 46.6 | 46.6 | 43.0 | 43.0 | 44.1 | 39.2 | 39.2 | 42.1 | |
| | | | SHC | 32 | 40.7 | 49.3 | 30.3 | 39.0 | 47.7 | 28.6 | 37.3 | 45.9 | 26.8 | 35.5 | 44.1 | 25 | 33.6 | 42.1 | |
| 72 | | THC | 58.5 | 58.5 | 58.5 | 55.0 | 55.0 | 55.0 | 51.3 | 51.3 | 51.3 | 47.5 | 47.5 | 47.5 | 43.4 | 43.4 | 43.4 | | |
| | | SHC | 23.5 | 32.2 | 41.0 | 21.9 | 30.6 | 39.3 | 20.2 | 28.9 | 37.6 | 18.5 | 27.1 | 35.8 | 16.7 | 25.3 | 33.9 | | |
| 76 | | THC | - | 62.8 | 62.8 | - | 59.0 | 59.0 | - | 55.1 | 55.1 | - | 51.1 | 51.1 | - | 46.9 | 46.9 | | |
| | | SHC | - | 25.5 | 34.5 | - | 23.8 | 32.8 | - | 22.2 | 31.1 | - | 20.4 | 29.3 | - | 18.6 | 27.4 | | |
| 2000 Cfm | | EA (wb) | 58 | THC | 49.9 | 49.9 | 56.5 | 47.2 | 47.2 | 53.5 | 44.4 | 44.4 | 50.4 | 41.4 | 41.4 | 47.1 | 38.3 | 38.3 | 43.6 |
| | | | | SHC | 43.4 | 49.9 | 56.5 | 41.0 | 47.2 | 53.5 | 38.4 | 44.4 | 50.4 | 35.8 | 41.4 | 47.1 | 33.0 | 38.3 | 43.6 |
| | 62 | | THC | 50.0 | 50.0 | 58.7 | 47.3 | 47.3 | 55.7 | 44.5 | 44.5 | 52.4 | 41.5 | 41.5 | 49.0 | 38.3 | 38.3 | 45.5 | |
| | | | SHC | 41.2 | 50.0 | 58.7 | 38.9 | 47.3 | 55.7 | 36.5 | 44.5 | 52.4 | 33.9 | 41.5 | 49.0 | 31.2 | 38.3 | 45.5 | |
| | 67 | | THC | 54.1 | 54.1 | 54.1 | 50.7 | 50.7 | 50.7 | 47.2 | 47.2 | 48.9 | 43.5 | 43.5 | 47.0 | 39.7 | 39.7 | 45.0 | |
| | | | SHC | 33.4 | 42.9 | 52.4 | 31.8 | 41.2 | 50.7 | 30 | 39.5 | 48.9 | 28.2 | 37.6 | 47.0 | 26.3 | 35.6 | 45.0 | |
| | 72 | THC | 59.3 | 59.3 | 59.3 | 55.7 | 55.7 | 55.7 | 52.0 | 52.0 | 52.0 | 48.0 | 48.0 | 48.0 | 43.9 | 43.9 | 43.9 | | |
| | | SHC | 24.2 | 33.7 | 43.2 | 22.5 | 32.0 | 41.5 | 20.8 | 30.3 | 39.8 | 19.1 | 28.5 | 37.9 | 17.3 | 26.7 | 36.0 | | |
| | 76 | THC | - | 63.6 | 63.6 | - | 59.8 | 59.8 | - | 55.8 | 55.8 | - | 51.6 | 51.6 | - | 47.4 | 47.4 | | |
| | | SHC | - | 26.3 | 36.1 | - | 24.6 | 34.4 | - | 22.9 | 32.6 | - | 21.1 | 30.7 | - | 19.3 | 28.8 | | |

LEGEND:

- Do not operate
- Cfm - Cubic feet per minute (supply air)
- EAT(db) - Entering air temperature (dry bulb)
- EAT(wb) - Entering air temperature (wet bulb)
- SHC - Sensible heat capacity
- TC - Total capacity

Table 14 – COOLING CAPACITIES - FIRST STAGE PART LOAD

5 TONS

| 06 SIZE | | | | AMBIENT TEMPERATURE | | | | | | | | | | | | | | | |
|-------------|-------------|------------|------|---------------------|------|------|---------|------|------|---------|------|------|---------|------|------|---------|------|------|------|
| | | | | 85 | | | 95 | | | 105 | | | 115 | | | 125 | | | |
| | | | | EA (dB) | | | EA (dB) | | | EA (dB) | | | EA (dB) | | | EA (dB) | | | |
| | | | | 75 | 80 | 85 | 75 | 80 | 85 | 75 | 80 | 85 | 75 | 80 | 85 | 75 | 80 | 85 | |
| 1250 Cfm | EA (wB) | 58 | THC | 40.1 | 40.1 | 45.4 | 38.0 | 38.0 | 43.1 | 35.7 | 35.7 | 40.6 | 33.1 | 33.1 | 37.8 | 30.3 | 30.3 | 34.7 | |
| | | | SHC | 34.8 | 40.1 | 45.4 | 32.8 | 38.0 | 43.1 | 30.8 | 35.7 | 40.6 | 28.5 | 33.1 | 37.8 | 26.0 | 30.3 | 34.7 | |
| | | 62 | THC | 40.9 | 40.9 | 45.8 | 38.4 | 38.4 | 44.2 | 35.8 | 35.8 | 42.2 | 33.2 | 33.2 | 39.4 | 30.4 | 30.4 | 36.2 | |
| | | | SHC | 32.4 | 39.1 | 45.8 | 30.9 | 37.5 | 44.2 | 29.1 | 35.6 | 42.2 | 27.0 | 33.2 | 39.4 | 24.6 | 30.4 | 36.2 | |
| | | 67 | THC | 45.4 | 45.4 | 45.4 | 42.6 | 42.6 | 42.6 | 39.6 | 39.6 | 39.6 | 36.3 | 36.3 | 36.3 | 32.8 | 32.8 | 33.3 | |
| | | | SHC | 26.2 | 32.9 | 39.7 | 24.8 | 31.5 | 38.3 | 23.2 | 30.0 | 36.7 | 21.6 | 28.3 | 35.1 | 19.9 | 26.6 | 33.3 | |
| | 72 | THC | 50.4 | 50.4 | 50.4 | 47.5 | 47.5 | 47.5 | 44.3 | 44.3 | 44.3 | 40.8 | 40.8 | 40.8 | 37.0 | 37.0 | 37.0 | | |
| | | SHC | 19.8 | 26.6 | 33.4 | 18.4 | 25.2 | 32.0 | 16.9 | 23.7 | 30.5 | 15.3 | 22.1 | 28.9 | 13.6 | 20.4 | 27.2 | | |
| | 76 | THC | - | 54.8 | 54.8 | - | 51.7 | 51.7 | - | 48.3 | 48.3 | - | 44.6 | 44.6 | - | 40.6 | 40.6 | | |
| | | SHC | - | 21.5 | 28.4 | - | 20.1 | 27.0 | - | 18.6 | 25.4 | - | 17.0 | 23.8 | - | 15.3 | 22.1 | | |
| | 1500 Cfm | EA (wB) | 58 | THC | 42.9 | 42.9 | 48.6 | 40.6 | 40.6 | 46.1 | 38.1 | 38.1 | 43.3 | 35.4 | 35.4 | 40.3 | 32.4 | 32.4 | 37.0 |
| | | | | SHC | 37.2 | 42.9 | 48.6 | 35.2 | 40.6 | 46.1 | 32.9 | 38.1 | 43.3 | 30.5 | 35.4 | 40.3 | 27.8 | 32.4 | 37.0 |
| 62 | | | THC | 43.0 | 43.0 | 50.5 | 40.7 | 40.7 | 48.0 | 38.2 | 38.2 | 45.1 | 35.4 | 35.4 | 42.0 | 32.5 | 32.5 | 38.6 | |
| | | | SHC | 35.4 | 43.0 | 50.5 | 33.4 | 40.7 | 48.0 | 31.2 | 38.2 | 45.1 | 28.9 | 35.4 | 42.0 | 26.3 | 32.5 | 38.6 | |
| 67 | | | THC | 46.9 | 46.9 | 46.9 | 44.0 | 44.0 | 44.0 | 40.9 | 40.9 | 41.6 | 37.5 | 37.5 | 39.9 | 33.8 | 33.8 | 38.0 | |
| | | | SHC | 28.5 | 36.6 | 44.6 | 27.1 | 35.1 | 43.1 | 25.5 | 33.5 | 41.6 | 23.8 | 31.9 | 39.9 | 22.1 | 30.1 | 38.0 | |
| 72 | | THC | 52.0 | 52.0 | 52.0 | 48.9 | 48.9 | 48.9 | 45.6 | 45.6 | 45.6 | 41.9 | 41.9 | 41.9 | 38.0 | 38.0 | 38.0 | | |
| | | SHC | 20.9 | 29.0 | 37.1 | 19.5 | 27.5 | 35.6 | 17.9 | 26.0 | 34.1 | 16.3 | 24.4 | 32.4 | 14.6 | 22.6 | 30.7 | | |
| 76 | | THC | - | 56.5 | 56.5 | - | 53.2 | 53.2 | - | 49.7 | 49.7 | - | 45.8 | 45.8 | - | - | - | | |
| | | SHC | - | 22.8 | 31.0 | - | 21.4 | 29.5 | - | 19.9 | 28.0 | - | 18.2 | 26.3 | - | - | - | | |
| 1750 Cfm | | EA (wB) | 58 | THC | 45.2 | 45.2 | 51.1 | 42.7 | 42.7 | 48.4 | 40.1 | 40.1 | 45.5 | 37.2 | 37.2 | 42.3 | 34.1 | 34.1 | 38.9 |
| | | | | SHC | 39.2 | 45.2 | 51.1 | 37.0 | 42.7 | 48.4 | 34.7 | 40.1 | 45.5 | 32.1 | 37.2 | 42.3 | 29.3 | 34.1 | 38.9 |
| | 62 | | THC | 45.2 | 45.2 | 53.1 | 42.8 | 42.8 | 50.4 | 40.1 | 40.1 | 47.4 | 37.3 | 37.3 | 44.1 | 34.1 | 34.1 | 40.5 | |
| | | | SHC | 37.3 | 45.2 | 53.1 | 35.2 | 42.8 | 50.4 | 32.9 | 40.1 | 47.4 | 30.4 | 37.3 | 44.1 | 27.7 | 34.1 | 40.5 | |
| | 67 | | THC | 48.0 | 48.0 | 49.4 | 45.0 | 45.0 | 47.8 | 41.8 | 41.8 | 46.2 | 38.3 | 38.3 | 44.4 | 34.6 | 34.6 | 42.4 | |
| | | | SHC | 30.8 | 40.1 | 49.4 | 29.3 | 38.5 | 47.8 | 27.7 | 36.9 | 46.2 | 26.0 | 35.2 | 44.4 | 24.1 | 33.2 | 42.4 | |
| | 72 | THC | 53.1 | 53.1 | 53.1 | 50.0 | 50.0 | 50.0 | 46.5 | 46.5 | 46.5 | 42.8 | 42.8 | 42.8 | 38.7 | 38.7 | 38.7 | | |
| | | SHC | 21.9 | 31.2 | 40.6 | 20.4 | 29.7 | 39.1 | 18.8 | 28.2 | 37.5 | 17.2 | 26.5 | 35.8 | 15.5 | 24.8 | 34.1 | | |
| | 76 | THC | - | 57.7 | 57.7 | - | 54.3 | 54.3 | - | 50.7 | 50.7 | - | - | - | - | - | - | | |
| | | SHC | - | 24.0 | 33.4 | - | 22.6 | 32.0 | - | 21.0 | 30.4 | - | - | - | - | - | - | | |
| | 2000 Cfm | EA (wB) | 58 | THC | 47.0 | 47.0 | 53.2 | 44.5 | 44.5 | 50.4 | 41.7 | 41.7 | 47.3 | 38.7 | 38.7 | 44.0 | 35.4 | 35.4 | 40.3 |
| | | | | SHC | 40.8 | 47.0 | 53.2 | 38.6 | 44.5 | 50.4 | 36.1 | 41.7 | 47.3 | 33.4 | 38.7 | 44.0 | 30.5 | 35.4 | 40.3 |
| 62 | | | THC | 47.0 | 47.0 | 55.3 | 44.5 | 44.5 | 52.4 | 41.7 | 41.7 | 49.2 | 38.7 | 38.7 | 45.8 | 35.4 | 35.4 | 42.0 | |
| | | | SHC | 38.8 | 47.0 | 55.3 | 36.6 | 44.5 | 52.4 | 34.2 | 41.7 | 49.2 | 31.6 | 38.7 | 45.8 | 28.8 | 35.4 | 42.0 | |
| 67 | | | THC | 48.9 | 48.9 | 53.8 | 45.8 | 45.8 | 52.2 | 42.6 | 42.6 | 50.4 | 39.1 | 39.1 | 48.4 | 35.5 | 35.5 | 45.4 | |
| | | | SHC | 32.8 | 43.3 | 53.8 | 31.3 | 41.8 | 52.2 | 29.6 | 40.0 | 50.4 | 27.8 | 38.1 | 48.4 | 25.6 | 35.5 | 45.4 | |
| 72 | | THC | 54.0 | 54.0 | 54.0 | 50.7 | 50.7 | 50.7 | 47.2 | 47.2 | 47.2 | 43.4 | 43.4 | 43.4 | 39.2 | 39.2 | 39.2 | | |
| | | SHC | 22.8 | 33.4 | 43.9 | 21.3 | 31.9 | 42.4 | 19.7 | 30.3 | 40.8 | 18.0 | 28.6 | 39.1 | 16.3 | 26.8 | 37.3 | | |
| 76 | | THC | - | 58.6 | 58.6 | - | 55.2 | 55.2 | - | - | - | - | - | - | - | - | - | | |
| | | SHC | - | 25.2 | 35.8 | - | 23.7 | 34.3 | - | - | - | - | - | - | - | - | - | | |
| 2250 Cfm | | EA (wB) | 58 | THC | 48.5 | 48.5 | 54.9 | 45.9 | 45.9 | 52.0 | 43.0 | 43.0 | 48.8 | 39.9 | 39.9 | 45.3 | 36.5 | 36.5 | 41.6 |
| | | | | SHC | 42.2 | 48.5 | 54.9 | 39.8 | 45.9 | 52.0 | 37.2 | 43.0 | 48.8 | 34.4 | 39.9 | 45.3 | 31.4 | 36.5 | 41.6 |
| | 62 | | THC | 48.6 | 48.6 | 57.0 | 45.9 | 45.9 | 54.0 | 43.0 | 43.0 | 50.8 | 39.9 | 39.9 | 47.2 | 36.5 | 36.5 | 43.3 | |
| | | | SHC | 40.1 | 48.6 | 57.0 | 37.8 | 45.9 | 54.0 | 35.3 | 43.0 | 50.8 | 32.7 | 39.9 | 47.2 | 29.8 | 36.5 | 43.3 | |
| | 67 | | THC | 49.6 | 49.6 | 58.0 | 46.5 | 46.5 | 56.3 | 43.3 | 43.3 | 54.1 | 40.0 | 40.0 | 50.9 | 36.6 | 36.6 | 46.7 | |
| | | | SHC | 34.8 | 46.4 | 58.0 | 33.2 | 44.7 | 56.3 | 31.4 | 42.8 | 54.1 | 29.1 | 40.0 | 50.9 | 26.4 | 36.6 | 46.7 | |
| | 72 | THC | 54.6 | 54.6 | 54.6 | 51.3 | 51.3 | 51.3 | 47.7 | 47.7 | 47.7 | 43.8 | 43.8 | 43.8 | 39.6 | 39.6 | 40.5 | | |
| | | SHC | 23.6 | 35.4 | 47.2 | 22.1 | 33.9 | 45.7 | 20.5 | 32.3 | 44.1 | 18.8 | 30.6 | 42.3 | 17.1 | 28.8 | 40.5 | | |
| | 76 | THC | - | 59.3 | 59.3 | - | - | - | - | - | - | - | - | - | - | - | - | | |
| | | SHC | - | 26.2 | 38.0 | - | - | - | - | - | - | - | - | - | - | - | - | | |

LEGEND:

- Do not operate
- Cfm - Cubic feet per minute (supply air)
- EAT(db) - Entering air temperature (dry bulb)
- EAT(wb) - Entering air temperature (wet bulb)
- SHC - Sensible heat capacity
- TC - Total capacity

50LC

Table 15 – COOLING CAPACITIES - SECOND STAGE FULL LOAD

5 TONS

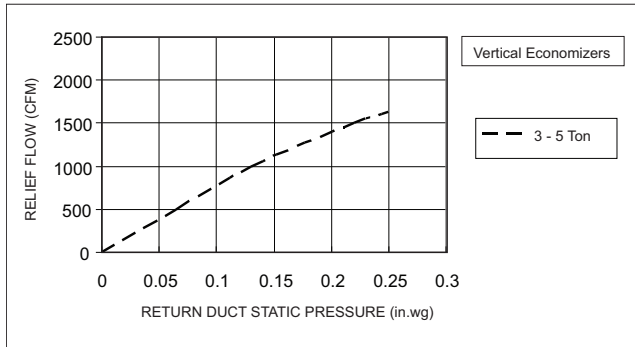
| 06 SIZE | | | | AMBIENT TEMPERATURE | | | | | | | | | | | | | | | | |
|-------------|------------|-------------|------------|---------------------|------|------|---------|------|------|---------|------|------|---------|------|------|---------|------|------|------|------|
| | | | | 85 | | | 95 | | | 105 | | | 115 | | | 125 | | | | |
| | | | | EA (dB) | | | EA (dB) | | | EA (dB) | | | EA (dB) | | | EA (dB) | | | | |
| | | | | 75 | 80 | 85 | 75 | 80 | 85 | 75 | 80 | 85 | 75 | 80 | 85 | 75 | 80 | 85 | | |
| 1500 Cfm | EA (wB) | 58 | THC | 54.0 | 54.0 | 61.2 | 51.3 | 51.3 | 58.3 | 48.6 | 48.6 | 55.2 | 47.0 | 47.0 | 53.4 | 44.5 | 44.5 | 50.6 | | |
| | | | SHC | 46.8 | 54.0 | 61.2 | 44.4 | 51.3 | 58.3 | 41.9 | 48.6 | 55.2 | 40.6 | 47.0 | 53.4 | 38.5 | 44.5 | 50.6 | | |
| | | 62 | THC | 56.5 | 56.5 | 58.4 | 53.3 | 53.3 | 56.5 | 49.9 | 49.9 | 54.6 | 47.8 | 47.8 | 53.8 | 44.8 | 44.8 | 52.3 | | |
| | | | SHC | 42.3 | 50.3 | 58.4 | 40.4 | 48.5 | 56.5 | 38.5 | 46.5 | 54.6 | 37.8 | 45.8 | 53.8 | 36.4 | 44.3 | 52.3 | | |
| | | 67 | THC | 62.1 | 62.1 | 62.1 | 58.6 | 58.6 | 58.6 | 55.0 | 55.0 | 55.0 | 52.5 | 52.5 | 52.5 | 49.1 | 49.1 | 49.1 | | |
| | | | SHC | 34.6 | 42.7 | 50.8 | 32.7 | 40.8 | 48.9 | 30.8 | 38.9 | 47.0 | 30.2 | 38.3 | 46.4 | 28.9 | 37.0 | 45.0 | | |
| | | 72 | THC | 68.3 | 68.3 | 68.3 | 64.5 | 64.5 | 64.5 | 60.5 | 60.5 | 60.5 | 57.8 | 57.8 | 57.8 | 54.1 | 54.1 | 54.1 | | |
| | | | SHC | 26.7 | 34.8 | 43.0 | 24.8 | 33.0 | 41.1 | 22.9 | 31.1 | 39.2 | 22.4 | 30.5 | 38.6 | 21.1 | 29.2 | 37.3 | | |
| | | 76 | THC | - | 73.5 | 73.5 | - | 69.5 | 69.5 | - | 65.3 | 65.3 | - | 62.3 | 62.3 | - | 58.4 | 58.4 | | |
| | | | SHC | - | 28.4 | 36.6 | - | 26.6 | 34.8 | - | 24.7 | 33 | - | 24.2 | 32.4 | - | 22.9 | 31.1 | | |
| | | 1750 Cfm | EA (wB) | 58 | THC | 57.1 | 57.1 | 64.7 | 54.3 | 54.3 | 61.6 | 51.3 | 51.3 | 58.3 | 49.5 | 49.5 | 56.2 | 46.9 | 46.9 | 53.2 |
| | | | | | SHC | 49.6 | 57.1 | 64.7 | 47.0 | 54.3 | 61.6 | 44.3 | 51.3 | 58.3 | 42.9 | 49.5 | 56.2 | 40.6 | 46.9 | 53.2 |
| | | | | 62 | THC | 58.4 | 58.4 | 64.5 | 55.0 | 55.0 | 62.5 | 51.6 | 51.6 | 60.2 | 49.7 | 49.7 | 58.3 | 46.9 | 46.9 | 55.4 |
| | | | | | SHC | 45.9 | 55.2 | 64.5 | 43.9 | 53.2 | 62.5 | 41.9 | 51.1 | 60.2 | 40.6 | 49.4 | 58.3 | 38.5 | 46.9 | 55.4 |
| 67 | THC | | | 63.9 | 63.9 | 63.9 | 60.2 | 60.2 | 60.2 | 56.4 | 56.4 | 56.4 | 53.8 | 53.8 | 53.8 | 50.3 | 50.3 | 50.3 | | |
| | SHC | | | 37 | 46.4 | 55.8 | 35.1 | 44.5 | 53.9 | 33.1 | 42.5 | 51.9 | 32.5 | 41.9 | 51.3 | 31.1 | 40.5 | 49.8 | | |
| 72 | THC | | | 70.2 | 70.2 | 70.2 | 66.2 | 66.2 | 66.2 | 62.0 | 62.0 | 62.0 | 59.1 | 59.1 | 59.1 | 55.3 | 55.3 | 55.3 | | |
| | SHC | | | 27.8 | 37.2 | 46.7 | 25.9 | 35.3 | 44.8 | 23.9 | 33.4 | 42.8 | 23.4 | 32.8 | 42.2 | 22 | 31.4 | 40.8 | | |
| 76 | THC | | | - | 75.4 | 75.4 | - | 71.2 | 71.2 | - | 66.9 | 66.9 | - | 63.7 | 63.7 | - | 59.6 | 59.6 | | |
| | SHC | | | - | 29.8 | 39.4 | - | 27.9 | 37.5 | - | 26 | 35.6 | - | 25.4 | 35 | - | 24.1 | 33.6 | | |
| 2000 Cfm | EA (wB) | | | 58 | THC | 59.8 | 59.8 | 67.6 | 56.7 | 56.7 | 64.3 | 53.6 | 53.6 | 60.8 | 51.6 | 51.6 | 58.5 | 48.8 | 48.8 | 55.3 |
| | | | | | SHC | 51.9 | 59.8 | 67.6 | 49.2 | 56.7 | 64.3 | 46.4 | 53.6 | 60.8 | 44.7 | 51.6 | 58.5 | 42.3 | 48.8 | 55.3 |
| | | | | 62 | THC | 60.0 | 60.0 | 69.9 | 56.8 | 56.8 | 66.9 | 53.7 | 53.7 | 63.3 | 51.7 | 51.7 | 60.9 | 48.8 | 48.8 | 57.6 |
| | | | | | SHC | 49.1 | 59.5 | 69.9 | 46.7 | 56.8 | 66.9 | 44.0 | 53.7 | 63.3 | 42.5 | 51.7 | 60.9 | 40.1 | 48.8 | 57.6 |
| | | 67 | THC | 65.3 | 65.3 | 65.3 | 61.5 | 61.5 | 61.5 | 57.5 | 57.5 | 57.5 | 54.8 | 54.8 | 55.9 | 51.1 | 51.1 | 54.4 | | |
| | | | SHC | 39.2 | 49.9 | 60.6 | 37.3 | 48.0 | 58.6 | 35.3 | 45.9 | 56.6 | 34.6 | 45.3 | 55.9 | 33.2 | 43.8 | 54.4 | | |
| | | 72 | THC | 71.6 | 71.6 | 71.6 | 67.5 | 67.5 | 67.5 | 63.2 | 63.2 | 63.2 | 60.1 | 60.1 | 60.1 | 56.2 | 56.2 | 56.2 | | |
| | | | SHC | 28.8 | 39.5 | 50.2 | 26.9 | 37.6 | 48.3 | 24.9 | 35.6 | 46.3 | 24.3 | 35.0 | 45.7 | 22.9 | 33.6 | 44.3 | | |
| | | 76 | THC | - | 76.9 | 76.9 | - | 72.6 | 72.6 | - | 68.1 | 68.1 | - | 64.8 | 64.8 | - | 60.5 | 60.5 | | |
| | | | SHC | - | 31.0 | 41.9 | - | 29.1 | 40 | - | 27.2 | 38 | - | 26.6 | 37.3 | - | 25.2 | 35.9 | | |
| | | 2250 Cfm | EA (wB) | 58 | THC | 62.0 | 62.0 | 70.1 | 58.8 | 58.8 | 66.6 | 55.5 | 55.5 | 62.9 | 53.4 | 53.4 | 60.5 | 50.4 | 50.4 | 57.1 |
| | | | | | SHC | 53.8 | 62.0 | 70.1 | 51.0 | 58.8 | 66.6 | 48.0 | 55.5 | 62.9 | 46.3 | 53.4 | 60.5 | 43.7 | 50.4 | 57.1 |
| | | | | 62 | THC | 62.0 | 62.0 | 72.9 | 58.9 | 58.9 | 69.3 | 55.5 | 55.5 | 65.5 | 53.4 | 53.4 | 62.9 | 50.4 | 50.4 | 59.4 |
| | | | | | SHC | 51.2 | 62.0 | 72.9 | 48.4 | 58.9 | 69.3 | 45.6 | 55.5 | 65.5 | 43.9 | 53.4 | 62.9 | 41.5 | 50.4 | 59.4 |
| 67 | THC | | | 66.4 | 66.4 | 66.4 | 62.5 | 62.5 | 63.2 | 58.4 | 58.4 | 61.1 | 55.6 | 55.6 | 60.4 | 51.9 | 51.9 | 58.8 | | |
| | SHC | | | 41.4 | 53.3 | 65.2 | 39.4 | 51.3 | 63.2 | 37.4 | 49.3 | 61.1 | 36.7 | 48.5 | 60.4 | 35.2 | 47.0 | 58.8 | | |
| 72 | THC | | | 72.6 | 72.6 | 72.6 | 68.4 | 68.4 | 68.4 | 64.1 | 64.1 | 64.1 | 60.9 | 60.9 | 60.9 | 56.8 | 56.8 | 56.8 | | |
| | SHC | | | 29.6 | 41.6 | 53.6 | 27.7 | 39.7 | 51.7 | 25.8 | 37.7 | 49.7 | 25.1 | 37.1 | 49.0 | 23.8 | 35.7 | 47.6 | | |
| 76 | THC | | | - | 78.0 | 78.0 | - | 73.6 | 73.6 | - | 69.0 | 69.0 | - | 65.6 | 65.6 | - | 61.2 | 61.2 | | |
| | SHC | | | - | 32.2 | 44.3 | - | 30.3 | 42.3 | - | 28.3 | 40.3 | - | 27.7 | 39.6 | - | 26.3 | 38.1 | | |
| 2500 Cfm | EA (wB) | | | 58 | THC | 63.8 | 63.8 | 72.2 | 60.5 | 60.5 | 68.6 | 57.1 | 57.1 | 64.7 | 54.8 | 54.8 | 62.1 | 51.7 | 51.7 | 58.6 |
| | | | | | SHC | 55.5 | 63.8 | 72.2 | 52.5 | 60.5 | 68.6 | 49.4 | 57.1 | 64.7 | 47.6 | 54.8 | 62.1 | 44.8 | 51.7 | 58.6 |
| | | | | 62 | THC | 63.9 | 63.9 | 75.1 | 60.6 | 60.6 | 71.3 | 57.1 | 57.1 | 67.4 | 54.9 | 54.9 | 64.6 | 51.8 | 51.8 | 60.9 |
| | | | | | SHC | 52.7 | 63.9 | 75.1 | 49.9 | 60.6 | 71.3 | 46.9 | 57.1 | 67.4 | 45.2 | 54.9 | 64.6 | 42.6 | 51.8 | 60.9 |
| | | 67 | THC | 67.2 | 67.2 | 69.7 | 63.3 | 63.3 | 67.7 | 59.1 | 59.1 | 65.5 | 56.2 | 56.2 | 64.6 | 52.5 | 52.5 | 62.9 | | |
| | | | SHC | 43.4 | 56.6 | 69.7 | 41.4 | 54.6 | 67.7 | 39.4 | 52.4 | 65.5 | 38.6 | 51.6 | 64.6 | 37.1 | 50.0 | 62.9 | | |
| | | 72 | THC | 73.5 | 73.5 | 73.5 | 69.2 | 69.2 | 69.2 | 64.7 | 64.7 | 64.7 | 61.5 | 61.5 | 61.5 | 57.4 | 57.4 | 57.4 | | |
| | | | SHC | 30.5 | 43.7 | 56.9 | 28.6 | 41.8 | 55.0 | 26.6 | 39.8 | 53.0 | 26 | 39.1 | 52.3 | 24.6 | 37.7 | 50.8 | | |
| | | 76 | THC | - | 78.9 | 78.9 | - | 74.4 | 74.4 | - | 69.7 | 69.7 | - | 66.2 | 66.2 | - | 61.8 | 61.8 | | |
| | | | SHC | - | 33.3 | 46.6 | - | 31.3 | 44.6 | - | 29.4 | 42.6 | - | 28.7 | 41.8 | - | 27.3 | 40.3 | | |

LEGEND:

- - Do not operate
- Cfm - Cubic feet per minute (supply air)
- EAT(db) - Entering air temperature (dry bulb)
- EAT(wb) - Entering air temperature (wet bulb)
- SHC - Sensible heat capacity
- TC - Total capacity

ECONOMIZER, BAROMETRIC RELIEF AND PE PERFORMANCE

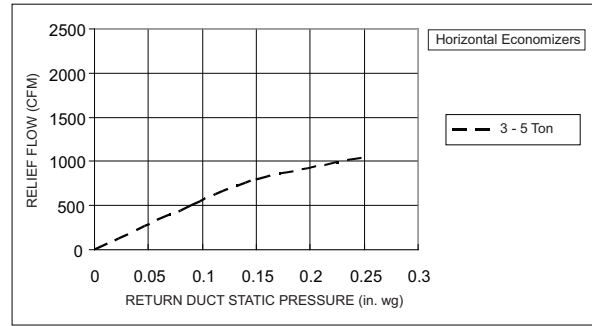
Vertical Application



C11539

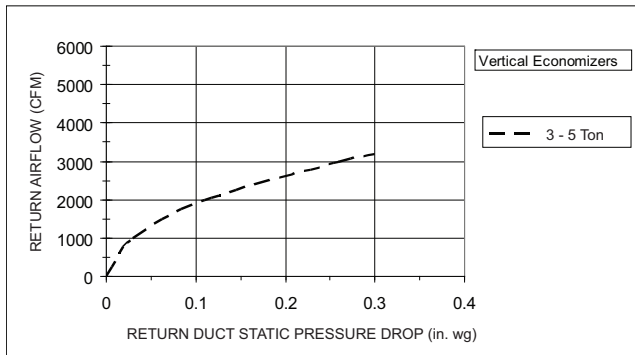
Fig. 7 - Barometric Relief Flow-Vertical 3 - 5 Ton

Horizontal Application



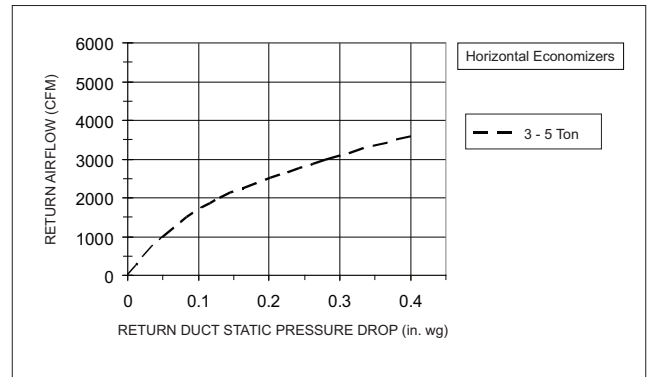
C11542

Fig. 10 - Barometric Relief Flow - Horizontal 3 - 5 Ton



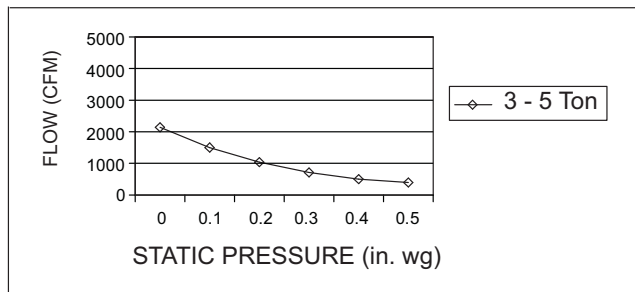
C11541

Fig. 8 - Return Air Pressure Drop-Vertical 3 - 5 Ton



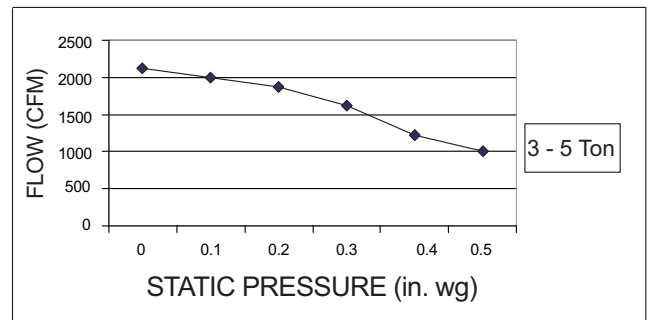
C11543

Fig. 11 - Return Air Pressure Drop - Horizontal 3 - 5 Ton



C11540

Fig. 9 - Vertical Power Exhaust Performance



C12179

Fig. 12 - Horizontal Power Exhaust Performance

Table 16 – STATIC PRESSURE ADDERS (in. wg) - Factory Options and/or Accessories

Electric Heaters

| CFM | 600 | 900 | 1200 | 1400 | 1600 | 1800 | 2000 | 2200 | 2400 | 2600 |
|---------------------------|------|------|------|------|------|------|------|------|------|------|
| 1 Electric Heater Module | 0.03 | 0.05 | 0.07 | 0.09 | 0.09 | 0.10 | 0.11 | 0.11 | 0.12 | 0.13 |
| 2 Electric Heater Modules | 0.13 | 0.15 | 0.16 | 0.16 | 0.16 | 0.17 | 0.17 | 0.17 | 0.18 | 0.18 |

50LC

GENERAL FAN PERFORMANCE NOTES:

1. Interpolation is permissible. Do not extrapolate.
2. External static pressure is the static pressure difference between the return duct and the supply duct plus the static pressure caused by any FIOPs or accessories.
3. Tabular data accounts for pressure loss due to clean filters, unit casing, and wet coils. Factory options and accessories may add static pressure losses. Selection software is available, through your salesperson, to help you select the best motor/drive combination for your application.
4. The Fan Performance tables offer motor/drive recommendations. In cases when two motor/drive combinations would work, Carrier recommended the lower horsepower option.
5. For information on the electrical properties of Carrier motors, please see the Electrical information section of this book.
6. For more information on the performance limits of Carrier motors, see the application data section of this book.
7. The EPACT (Energy Policy Act) regulates energy requirements for specific types of indoor fan motors. Motors regulated by EPACT include any general purpose, T-frame (three-digit, 143 and larger), single-speed, foot mounted, polyphase, squirrel cage induction motors of NEMA (National Electrical Manufacturers Association) design A and B, manufactured for use in the United States. Ranging from 1 to 200 Hp, these continuous-duty motors operate on 230 and 460 volt, 60 Hz power. If a motor does not fit into these specifications, the motor does not have to be replaced by an EPACT compliant energy-efficient motor. Variable-speed motors are exempt from EPACT compliance requirements.

FAN PERFORMANCE

DIRECT DRIVE - ECM (Multi-Speed) INDOOR MOTOR

Table 17 – 50LC*004 Vertical Unit-Direct Drive

| Speed (Torque) Tap | CFM | ESP | BHP |
|--------------------|------|------|------|
| 1 | 750 | 0.34 | 0.11 |
| | 900 | 0.18 | 0.11 |
| | 1050 | - | - |
| | 1125 | - | - |
| | 1200 | - | - |
| | 1275 | - | - |
| | 1350 | - | - |
| | 1425 | - | - |
| | 1500 | - | - |
| 2 | 750 | 0.55 | 0.18 |
| | 900 | 0.36 | 0.16 |
| | 1050 | 0.18 | 0.15 |
| | 1125 | 0.10 | 0.15 |
| | 1200 | 0.03 | 0.16 |
| | 1275 | - | - |
| | 1350 | - | - |
| | 1425 | - | - |
| | 1500 | - | - |
| 3 | 750 | 1.20 | 0.31 |
| | 900 | 1.00 | 0.39 |
| | 1050 | 0.79 | 0.38 |
| | 1125 | 0.67 | 0.37 |
| | 1200 | 0.56 | 0.35 |
| | 1275 | 0.44 | 0.34 |
| | 1350 | 0.32 | 0.32 |
| | 1425 | 0.21 | 0.31 |
| | 1500 | - | - |
| 4 | 750 | 1.35 | 0.45 |
| | 900 | 1.21 | 0.48 |
| | 1050 | 1.09 | 0.51 |
| | 1125 | 1.03 | 0.53 |
| | 1200 | 0.96 | 0.55 |
| | 1275 | 0.88 | 0.57 |
| | 1350 | 0.78 | 0.58 |
| | 1425 | 0.68 | 0.57 |
| | 1500 | 0.56 | 0.53 |
| 5 | 750 | 1.34 | 0.45 |
| | 900 | 1.32 | 0.48 |
| | 1050 | 1.09 | 0.53 |
| | 1125 | 1.04 | 0.55 |
| | 1200 | 1.00 | 0.57 |
| | 1275 | 0.95 | 0.60 |
| | 1350 | 0.90 | 0.62 |
| | 1425 | 0.84 | 0.65 |
| | 1500 | 0.78 | 0.68 |

Table 18 – 50LC*004 Horizontal Unit-Direct Drive

| Speed (Torque) Tap | CFM | ESP | BHP |
|--------------------|------|------|------|
| 1 | 750 | 0.40 | 0.15 |
| | 900 | 0.23 | 0.14 |
| | 1050 | - | - |
| | 1125 | - | - |
| | 1200 | - | - |
| | 1275 | - | - |
| | 1350 | - | - |
| | 1425 | - | - |
| | 1500 | - | - |
| 2 | 750 | 0.67 | 0.23 |
| | 900 | 0.47 | 0.21 |
| | 1050 | 0.29 | 0.19 |
| | 1125 | 0.21 | 0.18 |
| | 1200 | 0.13 | 0.18 |
| | 1275 | 0.06 | 0.20 |
| | 1350 | - | - |
| | 1425 | - | - |
| | 1500 | - | - |
| 3 | 750 | 1.28 | 0.44 |
| | 900 | 1.11 | 0.44 |
| | 1050 | 0.91 | 0.43 |
| | 1125 | 0.80 | 0.42 |
| | 1200 | 0.68 | 0.40 |
| | 1275 | 0.56 | 0.39 |
| | 1350 | 0.44 | 0.37 |
| | 1425 | 0.32 | 0.36 |
| | 1500 | 0.21 | 0.34 |
| 4 | 750 | 1.39 | 0.48 |
| | 900 | 1.32 | 0.51 |
| | 1050 | 1.23 | 0.55 |
| | 1125 | 1.18 | 0.57 |
| | 1200 | 1.11 | 0.59 |
| | 1275 | 1.03 | 0.60 |
| | 1350 | 0.94 | 0.62 |
| | 1425 | 0.84 | 0.61 |
| | 1500 | 0.73 | 0.59 |
| 5 | 750 | 1.40 | 0.48 |
| | 900 | 1.32 | 0.51 |
| | 1050 | 1.24 | 0.56 |
| | 1125 | 1.19 | 0.58 |
| | 1200 | 1.14 | 0.61 |
| | 1275 | 1.10 | 0.63 |
| | 1350 | 1.05 | 0.66 |
| | 1425 | 0.99 | 0.68 |
| | 1500 | 0.94 | 0.71 |

* To convert BHP to watts, use 84% motor efficiency.

50LC

FAN PERFORMANCE (cont.) DIRECT DRIVE - ECM (Multi-Speed) INDOOR MOTOR

Table 19 – 50LC*005 Vertical Unit-Direct Drive

| Speed (Torque) Tap | CFM | ESP | BHP |
|--------------------|------|------|------|
| 1 | 1000 | 0.21 | 0.15 |
| | 1200 | 0.11 | 0.10 |
| | 1400 | – | – |
| | 1500 | – | – |
| | 1600 | – | – |
| | 1700 | – | – |
| | 1800 | – | – |
| | 1900 | – | – |
| | 2000 | – | – |
| | 2 | 1000 | 0.94 |
| 1200 | | 0.68 | 0.35 |
| 1400 | | 0.40 | 0.31 |
| 1500 | | 0.24 | 0.28 |
| 1600 | | 0.10 | 0.26 |
| 1700 | | – | – |
| 1800 | | – | – |
| 1900 | | – | – |
| 2000 | | – | – |
| 3 | 1000 | 1.24 | 0.51 |
| | 1200 | 1.18 | 0.55 |
| | 1400 | 1.08 | 0.57 |
| | 1500 | 1.01 | 0.61 |
| | 1600 | 0.91 | 0.60 |
| | 1700 | 0.78 | 0.58 |
| | 1800 | 0.63 | 0.56 |
| | 1900 | 0.46 | 0.53 |
| | 2000 | 0.28 | 0.51 |
| 4 | 1000 | 1.23 | 0.51 |
| | 1200 | 1.13 | 0.57 |
| | 1400 | 1.04 | 0.64 |
| | 1500 | 1.00 | 0.74 |
| | 1600 | 0.95 | 0.71 |
| | 1700 | 0.89 | 0.74 |
| | 1800 | 0.82 | 0.77 |
| | 1900 | 0.73 | 0.79 |
| | 2000 | 0.63 | 0.82 |
| 5 | 1000 | 1.27 | 0.52 |
| | 1200 | 1.16 | 0.59 |
| | 1400 | 1.03 | 0.67 |
| | 1500 | 0.98 | 0.67 |
| | 1600 | 0.96 | 0.75 |
| | 1700 | 0.91 | 0.75 |
| | 1800 | 0.86 | 0.83 |
| | 1900 | 0.80 | 0.87 |
| | 2000 | 0.74 | 0.92 |

Table 20 – 50LC*005 Horizontal Unit-Direct Drive

| Speed (Torque) Tap | CFM | ESP | BHP |
|--------------------|------|------|------|
| 1 | 1000 | 0.23 | 0.15 |
| | 1200 | 0.15 | 0.15 |
| | 1400 | 0.08 | 0.17 |
| | 1500 | 0.02 | 0.18 |
| | 1600 | – | – |
| | 1700 | – | – |
| | 1800 | – | – |
| | 1900 | – | – |
| | 2000 | – | – |
| | 2 | 1000 | 1.02 |
| 1200 | | 0.74 | 0.39 |
| 1400 | | 0.46 | 0.35 |
| 1500 | | 0.32 | 0.32 |
| 1600 | | 0.19 | 0.30 |
| 1700 | | 0.07 | 0.27 |
| 1800 | | – | – |
| 1900 | | – | – |
| 2000 | | – | – |
| 3 | 1000 | 1.33 | 0.54 |
| | 1200 | 1.23 | 0.59 |
| | 1400 | 1.05 | 0.63 |
| | 1500 | 0.94 | 0.65 |
| | 1600 | 0.81 | 0.62 |
| | 1700 | 0.67 | 0.59 |
| | 1800 | 0.52 | 0.56 |
| | 1900 | 0.37 | 0.53 |
| | 2000 | 0.22 | 0.50 |
| 4 | 1000 | 1.32 | 0.54 |
| | 1200 | 1.22 | 0.60 |
| | 1400 | 1.12 | 0.67 |
| | 1500 | 1.07 | 0.77 |
| | 1600 | 1.02 | 0.74 |
| | 1700 | 0.97 | 0.77 |
| | 1800 | 0.91 | 0.81 |
| | 1900 | 0.84 | 0.83 |
| | 2000 | 0.76 | 0.86 |
| 5 | 1000 | 1.35 | 0.55 |
| | 1200 | 1.25 | 0.61 |
| | 1400 | 1.12 | 0.68 |
| | 1500 | 1.07 | 0.68 |
| | 1600 | 1.05 | 0.76 |
| | 1700 | 1.01 | 0.76 |
| | 1800 | 0.96 | 0.84 |
| | 1900 | 0.91 | 0.89 |
| | 2000 | 0.87 | 0.93 |

* To convert BHP to watts, use 84% motor efficiency.

50LC

FAN PERFORMANCE (cont.)
DIRECT DRIVE - ECM (Multi-Speed) INDOOR MOTOR

Table 21 – 50LC*006 Vertical Unit-Direct Drive

| Speed (Torque) Tap | CFM | ESP | BHP |
|--------------------|------|------|------|
| 1 | 1250 | 0.19 | 0.18 |
| | 1500 | 0.03 | 0.19 |
| | 1750 | – | – |
| | 1875 | – | – |
| | 2000 | – | – |
| | 2125 | – | – |
| | 2250 | – | – |
| | 2375 | – | – |
| | 2500 | – | – |
| 2 | 1250 | 1.06 | 0.57 |
| | 1500 | 0.65 | 0.52 |
| | 1750 | 0.27 | 0.47 |
| | 1875 | 0.11 | 0.44 |
| | 2000 | – | – |
| | 2125 | – | – |
| | 2250 | – | – |
| | 2375 | – | – |
| | 2500 | – | – |
| 3 | 1250 | 1.38 | 0.73 |
| | 1500 | 1.00 | 0.72 |
| | 1750 | 0.60 | 0.67 |
| | 1875 | 0.41 | 0.63 |
| | 2000 | 0.22 | 0.60 |
| | 2125 | 0.04 | 0.57 |
| | 2250 | – | – |
| | 2375 | – | – |
| | 2500 | – | – |
| 4 | 1250 | 1.50 | 0.82 |
| | 1500 | 1.25 | 0.88 |
| | 1750 | 0.89 | 0.87 |
| | 1875 | 0.68 | 0.84 |
| | 2000 | 0.46 | 0.80 |
| | 2125 | 0.26 | 0.76 |
| | 2250 | 0.08 | 0.73 |
| | 2375 | – | – |
| | 2500 | – | – |
| 5 | 1250 | 1.55 | 0.85 |
| | 1500 | 1.36 | 0.94 |
| | 1750 | 0.89 | 1.02 |
| | 1875 | 0.68 | 1.05 |
| | 2000 | 0.74 | 1.03 |
| | 2125 | 0.53 | 0.99 |
| | 2250 | 0.31 | 0.94 |
| | 2375 | 0.08 | 0.90 |
| | 2500 | – | – |

Table 22 – 50LC*006 Horizontal Unit-Direct Drive

| Speed (Torque) Tap | CFM | ESP | BHP |
|--------------------|------|------|------|
| 1 | 1250 | 0.23 | 0.20 |
| | 1500 | 0.10 | 0.22 |
| | 1750 | – | – |
| | 1875 | – | – |
| | 2000 | – | – |
| | 2125 | – | – |
| | 2250 | – | – |
| | 2375 | – | – |
| | 2500 | – | – |
| 2 | 1250 | 1.19 | 0.62 |
| | 1500 | 0.80 | 0.57 |
| | 1750 | 0.42 | 0.51 |
| | 1875 | 0.24 | 0.48 |
| | 2000 | 0.06 | 0.44 |
| | 2125 | – | – |
| | 2250 | – | – |
| | 2375 | – | – |
| | 2500 | – | – |
| 3 | 1250 | 1.50 | 0.78 |
| | 1500 | 1.17 | 0.77 |
| | 1750 | 0.78 | 0.71 |
| | 1875 | 0.57 | 0.67 |
| | 2000 | 0.36 | 0.63 |
| | 2125 | 0.17 | 0.59 |
| | 2250 | – | – |
| | 2375 | – | – |
| | 2500 | – | – |
| 4 | 1250 | 1.64 | 0.85 |
| | 1500 | 1.42 | 0.92 |
| | 1750 | 1.09 | 0.92 |
| | 1875 | 0.90 | 0.90 |
| | 2000 | 0.69 | 0.86 |
| | 2125 | 0.47 | 0.81 |
| | 2250 | 0.28 | 0.77 |
| | 2375 | 0.11 | 0.73 |
| | 2500 | 0.00 | 0.67 |
| 5 | 1250 | 1.69 | 0.87 |
| | 1500 | 1.52 | 0.97 |
| | 1750 | 1.09 | 1.05 |
| | 1875 | 0.90 | 1.09 |
| | 2000 | 1.00 | 1.09 |
| | 2125 | 0.82 | 1.06 |
| | 2250 | 0.62 | 1.02 |
| | 2375 | 0.40 | 0.98 |
| | 2500 | 0.16 | 0.93 |

* To convert BHP to watts, use 84% motor efficiency.

50LC

FAN PERFORMANCE (BELT DRIVE WITH VFD CONTROLLER & DISPLAY)

Table 23 – 50LC**04

3 PHASE

3 TON VERTICAL SUPPLY

| CFM | Available External Static Pressure (in. wg) | | | | | | | | | |
|------|---|-------------|------------|-------------|------|------|------|------|------|------|
| | 0.2 | | 0.4 | | 0.6 | | 0.8 | | 1.0 | |
| | RPM | BHP | RPM | BHP | RPM | BHP | RPM | BHP | RPM | BHP |
| 900 | 594 | 0.15 | 740 | 0.25 | 867 | 0.37 | 981 | 0.52 | 1084 | 0.68 |
| 975 | 618 | 0.17 | 758 | 0.28 | 881 | 0.40 | 991 | 0.55 | 1092 | 0.71 |
| 1050 | 642 | 0.19 | 777 | 0.30 | 896 | 0.43 | 1003 | 0.58 | 1102 | 0.75 |
| 1125 | 668 | 0.22 | 797 | 0.34 | 912 | 0.47 | 1017 | 0.62 | 1113 | 0.79 |
| 1200 | 695 | 0.25 | 818 | 0.37 | 930 | 0.51 | 1032 | 0.66 | 1126 | 0.83 |
| 1275 | 722 | 0.29 | 841 | 0.41 | 949 | 0.55 | 1048 | 0.71 | 1140 | 0.88 |
| 1350 | 750 | 0.33 | 864 | 0.46 | 968 | 0.60 | 1065 | 0.76 | 1155 | 0.93 |
| 1425 | 778 | 0.37 | 888 | 0.50 | 989 | 0.65 | 1083 | 0.81 | 1171 | 0.99 |
| 1500 | 807 | 0.42 | 913 | 0.56 | 1011 | 0.71 | 1103 | 0.87 | 1188 | 1.05 |

| CFM | Available External Static Pressure (in. wg) | | | | | | | | | |
|------|---|------|------|------|------|------|-------------|-------------|-------------|-------------|
| | 1.2 | | 1.4 | | 1.6 | | 1.8 | | 2.0 | |
| | RPM | BHP | RPM | BHP | RPM | BHP | RPM | BHP | RPM | BHP |
| 900 | 1180 | 0.86 | 1269 | 1.05 | 1354 | 1.25 | 1434 | 1.47 | 1511 | 1.70 |
| 975 | 1186 | 0.89 | 1275 | 1.08 | 1358 | 1.29 | 1437 | 1.51 | 1513 | 1.74 |
| 1050 | 1194 | 0.92 | 1281 | 1.12 | 1363 | 1.32 | 1441 | 1.54 | 1516 | 1.78 |
| 1125 | 1204 | 0.97 | 1289 | 1.16 | 1370 | 1.37 | 1447 | 1.59 | 1520 | 1.82 |
| 1200 | 1215 | 1.01 | 1298 | 1.21 | 1378 | 1.42 | 1454 | 1.64 | 1526 | 1.87 |
| 1275 | 1227 | 1.06 | 1309 | 1.26 | 1387 | 1.47 | 1462 | 1.69 | 1533 | 1.92 |
| 1350 | 1240 | 1.12 | 1321 | 1.32 | 1397 | 1.53 | 1471 | 1.75 | 1541 | 1.99 |
| 1425 | 1254 | 1.18 | 1333 | 1.38 | 1409 | 1.59 | 1481 | 1.82 | - | - |
| 1500 | 1270 | 1.24 | 1347 | 1.45 | 1421 | 1.66 | 1492 | 1.89 | - | - |

NOTE: For more information, see General Fan Performance Notes.

Boldface indicates field – supplied drive is required.

Medium static 770–1175 RPM, 1.2 BHP max

High static 1035–1466 RPM, 2.4 BHP max

Table 24 – 50LC**04

3 PHASE

3 TON HORIZONTAL SUPPLY

| CFM | Available External Static Pressure (in. wg) | | | | | | | | | |
|------|---|-------------|------------|-------------|-----|------|------|------|------|------|
| | 0.2 | | 0.4 | | 0.6 | | 0.8 | | 1.0 | |
| | RPM | BHP | RPM | BHP | RPM | BHP | RPM | BHP | RPM | BHP |
| 900 | 574 | 0.13 | 707 | 0.23 | 817 | 0.34 | 913 | 0.47 | 999 | 0.61 |
| 975 | 597 | 0.15 | 727 | 0.25 | 835 | 0.37 | 929 | 0.50 | 1015 | 0.64 |
| 1050 | 621 | 0.18 | 747 | 0.28 | 853 | 0.40 | 946 | 0.53 | 1030 | 0.68 |
| 1125 | 646 | 0.20 | 768 | 0.31 | 872 | 0.43 | 964 | 0.57 | 1047 | 0.72 |
| 1200 | 671 | 0.23 | 790 | 0.34 | 892 | 0.47 | 982 | 0.61 | 1064 | 0.76 |
| 1275 | 696 | 0.26 | 812 | 0.38 | 912 | 0.51 | 1001 | 0.65 | 1082 | 0.81 |
| 1350 | 723 | 0.30 | 835 | 0.42 | 933 | 0.55 | 1020 | 0.70 | 1100 | 0.86 |
| 1425 | 749 | 0.34 | 859 | 0.46 | 955 | 0.60 | 1040 | 0.75 | 1119 | 0.91 |
| 1500 | 776 | 0.38 | 883 | 0.51 | 977 | 0.65 | 1061 | 0.80 | 1138 | 0.97 |

| CFM | Available External Static Pressure (in. wg) | | | | | | | | | |
|------|---|------|------|------|------|------|------|------|------|------|
| | 1.2 | | 1.4 | | 1.6 | | 1.8 | | 2.0 | |
| | RPM | BHP | RPM | BHP | RPM | BHP | RPM | BHP | RPM | BHP |
| 900 | 1078 | 0.77 | 1151 | 0.93 | 1220 | 1.11 | 1284 | 1.30 | 1346 | 1.49 |
| 975 | 1093 | 0.80 | 1165 | 0.97 | 1233 | 1.15 | 1297 | 1.33 | 1358 | 1.53 |
| 1050 | 1108 | 0.84 | 1180 | 1.01 | 1247 | 1.19 | 1311 | 1.38 | 1371 | 1.58 |
| 1125 | 1123 | 0.88 | 1195 | 1.05 | 1261 | 1.23 | 1325 | 1.42 | 1385 | 1.62 |
| 1200 | 1140 | 0.92 | 1210 | 1.10 | 1276 | 1.28 | 1339 | 1.47 | 1399 | 1.68 |
| 1275 | 1157 | 0.97 | 1226 | 1.15 | 1292 | 1.33 | 1354 | 1.53 | 1414 | 1.73 |
| 1350 | 1174 | 1.02 | 1243 | 1.20 | 1308 | 1.39 | 1370 | 1.59 | 1429 | 1.80 |
| 1425 | 1192 | 1.08 | 1260 | 1.26 | 1325 | 1.45 | 1386 | 1.65 | 1444 | 1.86 |
| 1500 | 1210 | 1.14 | 1278 | 1.33 | 1342 | 1.52 | 1403 | 1.72 | 1461 | 1.93 |

NOTE: For more information, see General Fan Performance Notes.

Boldface indicates field – supplied drive is required.

Medium static 770–1175 RPM, 1.2 BHP max

High static 1035–1466 RPM, 2.4 BHP max

50LC

FAN PERFORMANCE (BELT DRIVE WITH VFD CONTROLLER & DISPLAY) (cont.)

Table 25 – 50LC05**

3 PHASE

4 TON VERTICAL SUPPLY

| CFM | Available External Static Pressure (in. wg) | | | | | | | | | |
|------|---|-------------|-------------|-------------|------|------|------|------|------|------|
| | 0.2 | | 0.4 | | 0.6 | | 0.8 | | 1.0 | |
| | RPM | BHP | RPM | BHP | RPM | BHP | RPM | BHP | RPM | BHP |
| 1200 | 695 | 0.25 | 818 | 0.37 | 930 | 0.51 | 1032 | 0.66 | 1126 | 0.83 |
| 1300 | 731 | 0.30 | 849 | 0.43 | 955 | 0.57 | 1053 | 0.72 | 1145 | 0.89 |
| 1400 | 769 | 0.36 | 880 | 0.49 | 982 | 0.63 | 1077 | 0.79 | 1166 | 0.97 |
| 1500 | 807 | 0.42 | 913 | 0.56 | 1011 | 0.71 | 1103 | 0.87 | 1188 | 1.05 |
| 1600 | 847 | 0.49 | 948 | 0.63 | 1042 | 0.79 | 1130 | 0.96 | 1213 | 1.14 |
| 1700 | 887 | 0.57 | 983 | 0.72 | 1073 | 0.88 | 1158 | 1.06 | 1239 | 1.24 |
| 1800 | 928 | 0.66 | 1020 | 0.82 | 1106 | 0.98 | 1188 | 1.16 | 1266 | 1.35 |
| 1900 | 969 | 0.76 | 1057 | 0.92 | 1140 | 1.09 | 1219 | 1.28 | 1295 | 1.48 |
| 2000 | 1010 | 0.87 | 1095 | 1.04 | 1175 | 1.21 | 1251 | 1.41 | 1325 | 1.61 |

| CFM | Available External Static Pressure (in. wg) | | | | | | | | | |
|------|---|-------------|-------------|-------------|-------------|-------------|-------------|-------------|-------------|-------------|
| | 1.2 | | 1.4 | | 1.6 | | 1.8 | | 2.0 | |
| | RPM | BHP | RPM | BHP | RPM | BHP | RPM | BHP | RPM | BHP |
| 1200 | 1215 | 1.01 | 1298 | 1.21 | 1378 | 1.42 | 1454 | 1.64 | 1526 | 1.87 |
| 1300 | 1231 | 1.08 | 1313 | 1.28 | 1390 | 1.49 | 1465 | 1.71 | 1536 | 1.94 |
| 1400 | 1249 | 1.16 | 1329 | 1.36 | 1405 | 1.57 | 1478 | 1.79 | 1547 | 2.03 |
| 1500 | 1270 | 1.24 | 1347 | 1.45 | 1421 | 1.66 | 1492 | 1.89 | 1561 | 2.13 |
| 1600 | 1292 | 1.34 | 1367 | 1.54 | 1440 | 1.76 | 1509 | 1.99 | 1576 | 2.23 |
| 1700 | 1315 | 1.44 | 1389 | 1.65 | 1459 | 1.88 | 1527 | 2.11 | 1593 | 2.35 |
| 1800 | 1341 | 1.56 | 1412 | 1.77 | 1481 | 2.00 | 1547 | 2.23 | 1612 | 2.48 |
| 1900 | 1367 | 1.68 | 1437 | 1.90 | 1504 | 2.13 | 1569 | 2.37 | 1632 | 2.62 |
| 2000 | 1395 | 1.82 | 1463 | 2.04 | 1528 | 2.28 | 1591 | 2.52 | 1653 | 2.77 |

NOTE: For more information, see General Fan Performance Notes.

Boldface indicates field – supplied drive is required.

Medium Static 920 – 1303 RPM, 1.7 BHP max

High Static 1208 – 1639 RPM, 2.9 BHP max

50LC

Table 26 – 50LC05**

3 PHASE

4 TON HORIZONTAL SUPPLY

| CFM | Available External Static Pressure (in. wg) | | | | | | | | | |
|------|---|-------------|-------------|-------------|------------|-------------|------|------|------|------|
| | 0.2 | | 0.4 | | 0.6 | | 0.8 | | 1.0 | |
| | RPM | BHP | RPM | BHP | RPM | BHP | RPM | BHP | RPM | BHP |
| 1200 | 671 | 0.23 | 790 | 0.34 | 892 | 0.47 | 982 | 0.61 | 1064 | 0.76 |
| 1300 | 705 | 0.28 | 820 | 0.39 | 919 | 0.52 | 1007 | 0.67 | 1088 | 0.82 |
| 1400 | 740 | 0.33 | 851 | 0.45 | 947 | 0.58 | 1034 | 0.73 | 1113 | 0.89 |
| 1500 | 776 | 0.38 | 883 | 0.51 | 977 | 0.65 | 1061 | 0.80 | 1138 | 0.97 |
| 1600 | 813 | 0.45 | 916 | 0.58 | 1007 | 0.73 | 1089 | 0.89 | 1165 | 1.05 |
| 1700 | 851 | 0.52 | 949 | 0.66 | 1038 | 0.81 | 1118 | 0.97 | 1192 | 1.15 |
| 1800 | 888 | 0.60 | 984 | 0.75 | 1069 | 0.90 | 1148 | 1.07 | 1221 | 1.25 |
| 1900 | 927 | 0.69 | 1019 | 0.84 | 1102 | 1.00 | 1179 | 1.18 | 1250 | 1.36 |
| 2000 | 965 | 0.78 | 1054 | 0.94 | 1135 | 1.11 | 1210 | 1.29 | 1280 | 1.48 |

| CFM | Available External Static Pressure (in. wg) | | | | | | | | | |
|------|---|-------------|-------------|-------------|-------------|-------------|-------------|-------------|-------------|-------------|
| | 1.2 | | 1.4 | | 1.6 | | 1.8 | | 2.0 | |
| | RPM | BHP | RPM | BHP | RPM | BHP | RPM | BHP | RPM | BHP |
| 1200 | 1140 | 0.92 | 1210 | 1.10 | 1276 | 1.28 | 1339 | 1.47 | 1399 | 1.68 |
| 1300 | 1162 | 0.99 | 1232 | 1.16 | 1297 | 1.35 | 1360 | 1.55 | 1419 | 1.75 |
| 1400 | 1186 | 1.06 | 1254 | 1.24 | 1319 | 1.43 | 1381 | 1.63 | 1439 | 1.84 |
| 1500 | 1210 | 1.14 | 1278 | 1.33 | 1342 | 1.52 | 1403 | 1.72 | 1461 | 1.93 |
| 1600 | 1236 | 1.23 | 1302 | 1.42 | 1365 | 1.62 | 1425 | 1.82 | 1483 | 2.04 |
| 1700 | 1262 | 1.33 | 1328 | 1.52 | 1390 | 1.72 | 1449 | 1.93 | 1505 | 2.15 |
| 1800 | 1289 | 1.44 | 1354 | 1.63 | 1415 | 1.84 | 1473 | 2.05 | 1529 | 2.27 |
| 1900 | 1317 | 1.55 | 1380 | 1.75 | 1441 | 1.96 | 1498 | 2.18 | 1553 | 2.41 |
| 2000 | 1345 | 1.68 | 1408 | 1.88 | 1467 | 2.10 | 1524 | 2.32 | 1579 | 2.55 |

NOTE: For more information, see General Fan Performance Notes.

Boldface indicates field – supplied drive is required.

Medium Static 920 – 1303 RPM, 1.7 BHP max

High Static 1208 – 1639 RPM, 2.9 max BHP

FAN PERFORMANCE (BELT DRIVE WITH VFD CONTROLLER & DISPLAY)

(cont.)

Table 27 – 50LC**06

3 PHASE

5 TON VERTICAL SUPPLY

| CFM | Available External Static Pressure (in. wg) | | | | | | | | | |
|------|---|------|------|------|------|------|------|------|------|------|
| | 0.2 | | 0.4 | | 0.6 | | 0.8 | | 1.0 | |
| | RPM | BHP | RPM | BHP | RPM | BHP | RPM | BHP | RPM | BHP |
| 1500 | 794 | 0.41 | 902 | 0.55 | 993 | 0.69 | 1074 | 0.85 | 1147 | 1.00 |
| 1625 | 840 | 0.49 | 945 | 0.64 | 1034 | 0.80 | 1113 | 0.96 | 1185 | 1.13 |
| 1750 | 888 | 0.59 | 988 | 0.75 | 1075 | 0.92 | 1153 | 1.09 | 1223 | 1.26 |
| 1875 | 936 | 0.70 | 1033 | 0.87 | 1117 | 1.05 | 1193 | 1.23 | 1263 | 1.41 |
| 2000 | 984 | 0.82 | 1078 | 1.00 | 1160 | 1.19 | 1235 | 1.39 | 1303 | 1.58 |
| 2125 | 1033 | 0.96 | 1124 | 1.15 | 1204 | 1.35 | 1277 | 1.56 | 1343 | 1.76 |
| 2250 | 1083 | 1.11 | 1170 | 1.32 | 1248 | 1.53 | 1319 | 1.74 | 1385 | 1.96 |
| 2375 | 1133 | 1.28 | 1217 | 1.50 | 1293 | 1.72 | 1363 | 1.95 | 1427 | 2.17 |
| 2500 | 1183 | 1.47 | 1265 | 1.70 | 1339 | 1.93 | 1406 | 2.17 | 1470 | 2.41 |

| CFM | Available External Static Pressure (in. wg) | | | | | | | | | |
|------|---|------|------|------|-------------|-------------|-------------|-------------|-------------|-------------|
| | 1.2 | | 1.4 | | 1.6 | | 1.8 | | 2.0 | |
| | RPM | BHP | RPM | BHP | RPM | BHP | RPM | BHP | RPM | BHP |
| 1500 | 1214 | 1.16 | 1277 | 1.33 | 1336 | 1.50 | 1392 | 1.67 | 1445 | 1.85 |
| 1625 | 1251 | 1.30 | 1313 | 1.47 | 1371 | 1.65 | 1427 | 1.83 | 1479 | 2.02 |
| 1750 | 1289 | 1.44 | 1350 | 1.63 | 1407 | 1.81 | 1462 | 2.01 | 1514 | 2.20 |
| 1875 | 1327 | 1.60 | 1387 | 1.80 | 1444 | 1.99 | 1498 | 2.19 | 1550 | 2.40 |
| 2000 | 1366 | 1.78 | 1426 | 1.98 | 1482 | 2.19 | 1535 | 2.40 | 1586 | 2.61 |
| 2125 | 1406 | 1.97 | 1464 | 2.18 | 1520 | 2.40 | 1573 | 2.62 | 1623 | 2.84 |
| 2250 | 1446 | 2.18 | 1504 | 2.40 | 1559 | 2.62 | 1611 | 2.85 | 1661 | 3.09 |
| 2375 | 1487 | 2.40 | 1544 | 2.63 | 1598 | 2.87 | 1650 | 3.11 | – | – |
| 2500 | 1529 | 2.64 | 1585 | 2.89 | 1638 | 3.13 | – | – | – | – |

NOTE: For more information, see General Fan Performance Notes.

Boldface indicates field-supplied drive is required.

Medium Static 1035 – 1466 RPM, 2.4 BHP max

High Static 1303 – 1687 RPM, 2.9 max BHP

Table 28 – 50LC**06

3 PHASE

5 TON HORIZONTAL SUPPLY

| CFM | Available External Static Pressure (in. wg) | | | | | | | | | |
|------|---|------|------|------|------|------|------|------|------|------|
| | 0.2 | | 0.4 | | 0.6 | | 0.8 | | 1.0 | |
| | RPM | BHP | RPM | BHP | RPM | BHP | RPM | BHP | RPM | BHP |
| 1500 | 725 | 0.33 | 840 | 0.46 | 937 | 0.60 | 1023 | 0.75 | 1101 | 0.90 |
| 1625 | 765 | 0.40 | 876 | 0.54 | 970 | 0.68 | 1054 | 0.84 | 1131 | 1.00 |
| 1750 | 806 | 0.48 | 912 | 0.63 | 1004 | 0.78 | 1087 | 0.94 | 1162 | 1.11 |
| 1875 | 847 | 0.57 | 950 | 0.72 | 1039 | 0.88 | 1120 | 1.05 | 1194 | 1.23 |
| 2000 | 889 | 0.66 | 988 | 0.83 | 1075 | 1.00 | 1154 | 1.18 | 1226 | 1.36 |
| 2125 | 931 | 0.78 | 1027 | 0.95 | 1112 | 1.13 | 1189 | 1.31 | 1260 | 1.50 |
| 2250 | 974 | 0.90 | 1067 | 1.08 | 1149 | 1.27 | 1224 | 1.46 | 1294 | 1.66 |
| 2375 | 1018 | 1.03 | 1107 | 1.23 | 1187 | 1.43 | 1261 | 1.63 | 1329 | 1.84 |
| 2500 | 1061 | 1.19 | 1148 | 1.39 | 1226 | 1.59 | 1297 | 1.81 | 1364 | 2.02 |

| CFM | Available External Static Pressure (in. wg) | | | | | | | | | |
|------|---|------|------|------|------|------|-------------|-------------|-------------|-------------|
| | 1.2 | | 1.4 | | 1.6 | | 1.8 | | 2.0 | |
| | RPM | BHP | RPM | BHP | RPM | BHP | RPM | BHP | RPM | BHP |
| 1500 | 1172 | 1.06 | 1239 | 1.23 | 1302 | 1.40 | 1361 | 1.58 | 1418 | 1.77 |
| 1625 | 1201 | 1.16 | 1267 | 1.34 | 1329 | 1.52 | 1388 | 1.71 | 1444 | 1.90 |
| 1750 | 1231 | 1.28 | 1296 | 1.46 | 1358 | 1.65 | 1416 | 1.84 | 1472 | 2.04 |
| 1875 | 1262 | 1.41 | 1326 | 1.60 | 1387 | 1.79 | 1445 | 1.99 | 1499 | 2.20 |
| 2000 | 1294 | 1.55 | 1357 | 1.74 | 1417 | 1.95 | 1474 | 2.15 | 1528 | 2.36 |
| 2125 | 1326 | 1.70 | 1388 | 1.90 | 1447 | 2.11 | 1504 | 2.33 | 1557 | 2.55 |
| 2250 | 1359 | 1.87 | 1420 | 2.08 | 1479 | 2.29 | 1534 | 2.51 | 1587 | 2.74 |
| 2375 | 1393 | 2.05 | 1453 | 2.27 | 1511 | 2.49 | 1566 | 2.72 | 1618 | 2.95 |
| 2500 | 1427 | 2.24 | 1487 | 2.47 | 1543 | 2.70 | 1597 | 2.94 | 1649 | 3.18 |

NOTE: For more information, see General Fan Performance Notes.

Boldface indicates field-supplied drive is required.

Medium Static 1035 – 1466 RPM, 2.4 BHP max

High Static 1303 – 1687 RPM, 2.9 BHP max

50LC

FAN PERFORMANCE (cont.)

Table 29 – PULLEY ADJUSTMENT

| UNIT | MOTOR/ DRIVE COMBO | MOTOR PULLEY TURNS OPEN (RPM) | | | | | | | | | | |
|------|--------------------------|-------------------------------|------|------|------|------|------|------|------|------|------|------|
| | | 0.0 | 0.5 | 1.0 | 1.5 | 2.0 | 2.5 | 3.0 | 3.5 | 4.0 | 4.5 | 5.0 |
| 04 | Standard Static | - | - | - | - | - | - | - | - | - | - | - |
| | Medium Static | 1175 | 1135 | 1094 | 1054 | 1013 | 973 | 932 | 892 | 851 | 811 | 770 |
| | High Static | 1466 | 1423 | 1380 | 1337 | 1294 | 1251 | 1207 | 1164 | 1121 | 1078 | 1035 |
| 05 | Standard Static | - | - | - | - | - | - | - | - | - | - | - |
| | Medium Static | 1303 | 1265 | 1226 | 1188 | 1150 | 1112 | 1073 | 1035 | 997 | 958 | 920 |
| | High Static | 1639 | 1596 | 1553 | 1510 | 1467 | 1424 | 1380 | 1337 | 1294 | 1251 | 1208 |
| 06 | Standard Static | - | - | - | - | - | - | - | - | - | - | - |
| | Medium Static | 1466 | 1423 | 1380 | 1337 | 1294 | 1251 | 1207 | 1164 | 1121 | 1078 | 1035 |
| | High Static | 1687 | 1649 | 1610 | 1572 | 1533 | 1495 | 1457 | 1418 | 1380 | 1341 | 1303 |

■ – Factory settings

– Standard static uses direct drive motor

50LC

ELECTRICAL INFORMATION

Table 30 – 50LC*004

3 TONS

| UNIT | V-Ph-Hz | VOLTAGE RANGE | | COMP 1 | | OFM (ea) | | IFM | | |
|------|----------|---------------|-----|--------|-----|----------|-----|--------|------------------|-----|
| | | MIN | MAX | RLA | LRA | WATTS | FLA | TYPE | EFF at Full Load | FLA |
| 04 | 208-3-60 | 187 | 253 | 11.6 | 73 | 190 | 3.5 | DD-STD | 84.0% | 5.8 |
| | | | | | | 190 | 3.5 | MED | 81.5% | 5.8 |
| | | | | | | 190 | 3.5 | HIGH | 80.0% | 7.1 |
| | 230-3-60 | 187 | 253 | 11.6 | 73 | 190 | 3.5 | DD-STD | 84.0% | 5.8 |
| | | | | | | 190 | 3.5 | MED | 81.5% | 5.6 |
| | | | | | | 190 | 3.5 | HIGH | 80.0% | 6.8 |
| | 460-3-60 | 414 | 506 | 5.7 | 38 | 190 | 1.4 | DD-STD | 84.0% | 3.2 |
| | | | | | | 190 | 1.4 | MED | 81.5% | 2.9 |
| | | | | | | 190 | 1.4 | HIGH | 80.0% | 3.8 |
| | 575-3-60 | 518 | 633 | 4.0 | 26 | 190 | 1.4 | DD-STD | 84.0% | 3.2 |
| | | | | | | 190 | 1.4 | MED | 81.5% | 2.8 |
| | | | | | | 190 | 1.4 | HIGH | 80.0% | 3.5 |

50LC

Table 31 – 50LC*005

4 TONS

| UNIT | V-Ph-Hz | VOLTAGE RANGE | | COMP 1 | | OFM (ea) | | IFM | | |
|------|----------|---------------|-----|--------|-----|----------|-----|--------|------------------|-----|
| | | MIN | MAX | RLA | LRA | WATTS | FLA | TYPE | EFF at Full Load | FLA |
| 05 | 208-3-60 | 187 | 253 | 14.0 | 83 | 240 | 3.5 | DD-STD | 78.0% | 7.4 |
| | | | | | | 240 | 3.5 | MED | 81.5% | 5.8 |
| | | | | | | 240 | 3.5 | HIGH | 84.5% | 8.6 |
| | 230-3-60 | 187 | 253 | 14.0 | 83 | 240 | 3.5 | DD-STD | 78.0% | 7.4 |
| | | | | | | 240 | 3.5 | MED | 81.5% | 5.6 |
| | | | | | | 240 | 3.5 | HIGH | 84.5% | 7.8 |
| | 460-3-60 | 414 | 506 | 6.4 | 41 | 220 | 1.4 | DD-STD | 78.0% | 4 |
| | | | | | | 220 | 1.4 | MED | 81.5% | 2.9 |
| | | | | | | 220 | 1.4 | HIGH | 84.5% | 3.8 |
| | 575-3-60 | 518 | 633 | 4.6 | 33 | 220 | 1.4 | DD-STD | 78.0% | 4 |
| | | | | | | 220 | 1.4 | MED | 81.5% | 2.8 |
| | | | | | | 220 | 1.4 | HIGH | 84.5% | 4.5 |

Table 32 – 50LC*006

5 TONS

| UNIT | V-Ph-Hz | VOLTAGE RANGE | | COMP 1 | | OFM (ea) | | IFM | | |
|------|----------|---------------|-----|--------|-----|----------|-----|--------|------------------|-----|
| | | MIN | MAX | RLA | LRA | WATTS | FLA | TYPE | EFF at Full Load | FLA |
| 06 | 208-3-60 | 187 | 253 | 16.2 | 110 | 240 | 3.5 | DD-STD | 78.0% | 7.4 |
| | | | | | | 240 | 3.5 | MED | 80.0% | 7.1 |
| | | | | | | 240 | 3.5 | HIGH | 84.5% | 8.6 |
| | 230-3-60 | 187 | 253 | 16.2 | 110 | 240 | 3.5 | DD-STD | 78.0% | 7.4 |
| | | | | | | 240 | 3.5 | MED | 80.0% | 6.8 |
| | | | | | | 240 | 3.5 | HIGH | 84.5% | 7.8 |
| | 460-3-60 | 414 | 506 | 7.6 | 52 | 220 | 1.4 | DD-STD | 78.0% | 4 |
| | | | | | | 220 | 1.4 | MED | 80.0% | 3.8 |
| | | | | | | 220 | 1.4 | HIGH | 84.5% | 3.8 |
| | 575-3-60 | 518 | 633 | 5.3 | 39 | 220 | 1.4 | DD-STD | 78.0% | 4 |
| | | | | | | 220 | 1.4 | MED | 80.0% | 3.5 |
| | | | | | | 220 | 1.4 | HIGH | 84.5% | 4.5 |

MCA/MOCP

Table 33 – 50LC*004

MCA/MOCP DETERMINATION NO C.O. OR UNPWRD C.O NON HACR BREAKER MODEL

| UNIT | NOM. V-Ph-Hz | IFM TYPE | NO C.O. or UNPWR C.O. | | | | | | | | |
|------|------------------|-------------|-----------------------|-------|------------|---------|--------------------------|-------|------------|---------|----|
| | | | NO P.E. | | | | w/ P.E. (pwrdr fr/ unit) | | | | |
| | | | MCA | MOCP | DISC. SIZE | | MCA | MOCP | DISC. SIZE | | |
| | | | | | FLA | LRA | | | FLA | LRA | |
| 04 | 208/ 230-3-60 | DD-STD | 24.0 | 30 | 24 | 83 | 26.0 | 30 | 26 | 85 | |
| | | | 24/24 | 30/30 | 24/24 | 83/83 | 26/26 | 30/30 | 26/26 | 85/85 | |
| | | | 24/27 | 30/30 | 24/25 | 83/83 | 27/29 | 30/30 | 26/27 | 85/85 | |
| | | | 30/33 | 30/35 | 27/31 | 83/83 | 32/36 | 35/40 | 30/33 | 85/85 | |
| | | | 35/39 | 35/40 | 32/36 | 83/83 | 37/41 | 40/45 | 34/38 | 85/85 | |
| | | | 49/55 | 50/60 | 45/51 | 83/83 | 51/58 | 60/60 | 47/53 | 85/85 | |
| | | MED | 24/24 | 30/30 | 24/24 | 100 | 26/26 | 30/30 | 26/26 | 102 | |
| | | | 24/24 | 30/30 | 24/24 | 100/100 | 26/26 | 30/30 | 26/26 | 102/102 | |
| | | | 24/27 | 30/30 | 24/24 | 100/100 | 27/29 | 30/30 | 26/27 | 102/102 | |
| | | | 30/33 | 30/35 | 27/30 | 100/100 | 32/36 | 35/40 | 30/33 | 102/102 | |
| | | | 35/39 | 35/40 | 32/36 | 100/100 | 37/41 | 40/45 | 34/38 | 102/102 | |
| | | | 49/55 | 50/60 | 45/51 | 100/100 | 51/58 | 60/60 | 47/53 | 102/102 | |
| | | HIGH | 25/25 | 30/30 | 26/25 | 104 | 27/27 | 30/30 | 28/27 | 106 | |
| | | | 25/25 | 30/30 | 26/25 | 104/104 | 27/27 | 30/30 | 28/27 | 106/106 | |
| | | | 26/28 | 30/30 | 26/26 | 104/104 | 28/30 | 30/35 | 28/28 | 106/106 | |
| | | | 32/35 | 35/35 | 29/32 | 104/104 | 34/37 | 35/40 | 31/34 | 106/106 | |
| | | | 36/40 | 40/45 | 33/37 | 104/104 | 39/43 | 40/45 | 36/39 | 106/106 | |
| | | | 51/57 | 60/60 | 47/52 | 104/104 | 53/59 | 60/60 | 49/54 | 106/106 | |
| | 460-3-60 | DD-STD | 12.0 | 15 | 12 | 42 | 13.0 | 15 | 13 | 43 | |
| | | | 13 | 15 | 12 | 42 | 14 | 15 | 13 | 43 | |
| | | | 17 | 20 | 16 | 42 | 19 | 20 | 17 | 43 | |
| | | | 21 | 25 | 20 | 42 | 23 | 25 | 21 | 43 | |
| | | 25 | 30 | 23 | 42 | 26 | 30 | 24 | 43 | | |
| | | MED | 11.0 | 15 | 12 | 50 | 12.0 | 15 | 13 | 51 | |
| | | | 13 | 15 | 12 | 50 | 14 | 15 | 13 | 51 | |
| | | | 17 | 20 | 16 | 50 | 18 | 20 | 17 | 51 | |
| | | | 21 | 25 | 19 | 50 | 22 | 25 | 20 | 51 | |
| | | | 25 | 25 | 23 | 50 | 26 | 30 | 24 | 51 | |
| | | HIGH | 12.0 | 15 | 13 | 52 | 13.0 | 15 | 14 | 53 | |
| | | | 14 | 15 | 13 | 52 | 15 | 15 | 14 | 53 | |
| | | | 18 | 20 | 17 | 52 | 19 | 20 | 18 | 53 | |
| | | | 22 | 25 | 20 | 52 | 23 | 25 | 21 | 53 | |
| | | | 26 | 30 | 24 | 52 | 27 | 30 | 25 | 53 | |
| | | 575-3-60 | DD-STD | 10.0 | 15 | 10 | 30 | 12.0 | 15 | 12 | 32 |
| | | | | 16 | 20 | 14 | 30 | 18 | 20 | 16 | 32 |
| | | | | 21 | 25 | 20 | 30 | 24 | 25 | 22 | 32 |
| MED | 9.0 | | 15 | 9 | 36 | 11.0 | 15 | 12 | 38 | | |
| | 15 | | 15 | 14 | 36 | 17 | 20 | 16 | 38 | | |
| | 21 | | 25 | 19 | 36 | 23 | 25 | 21 | 38 | | |
| HIGH | 10.0 | | 15 | 10 | 40 | 12.0 | 15 | 12 | 42 | | |
| | 16 | | 20 | 15 | 40 | 18 | 20 | 17 | 42 | | |
| | 22 | | 25 | 20 | 40 | 24 | 25 | 22 | 42 | | |

50LC

MCA/MOCP (cont.)

Table 34 – 50LC*005

MCA/MOCP DETERMINATION NO C.O. OR UNPWRD C.O NON HACR BREAKER MODEL

| UNIT | NOM. V-Ph-Hz | IFM TYPE | NO C.O. or UNPWR C.O. | | | | | | | |
|----------|------------------|-------------|-----------------------|-------|------------|---------|--------------------------|-------|------------|---------|
| | | | NO P.E. | | | | w/ P.E. (pwrdr fr/ unit) | | | |
| | | | MCA | MOCP | DISC. SIZE | | MCA | MOCP | DISC. SIZE | |
| | | | | | FLA | LRA | | | FLA | LRA |
| 05 | 208/ 230-3-60 | DD-STD | 28.0 | 40 | 29 | 94 | 30.0 | 40 | 31 | 96 |
| | | | 28/29 | 40/40 | 29/29 | 94/94 | 30/31 | 40/40 | 31/31 | 96/96 |
| | | | 32/35 | 40/40 | 29/33 | 94/94 | 34/38 | 40/40 | 32/35 | 96/96 |
| | | | 51/57 | 60/60 | 47/53 | 94/94 | 53/60 | 60/60 | 49/55 | 96/96 |
| | | | 64/72 | 70/80 | 59/67 | 94/94 | 66/75 | 70/80 | 61/69 | 96/96 |
| | | MED | 27/27 | 40/40 | 27/27 | 110 | 29/29 | 40/40 | 29/29 | 112 |
| | | | 27/27 | 40/40 | 27/27 | 110/110 | 29/29 | 40/40 | 29/29 | 112/112 |
| | | | 30/33 | 40/40 | 27/30 | 110/110 | 32/36 | 40/40 | 30/33 | 112/112 |
| | | | 49/55 | 50/60 | 45/51 | 110/110 | 51/58 | 60/60 | 47/53 | 112/112 |
| | | | 62/70 | 70/80 | 57/65 | 110/110 | 64/73 | 70/80 | 59/67 | 112/112 |
| | | HIGH | 30/29 | 40/40 | 30/29 | 140 | 32/31 | 45/40 | 32/31 | 142 |
| | | | 30/29 | 40/40 | 30/29 | 140/140 | 32/32 | 45/40 | 32/31 | 142/142 |
| | | | 33/36 | 40/40 | 31/33 | 140/140 | 36/38 | 45/40 | 33/35 | 142/142 |
| | | | 53/58 | 60/60 | 48/53 | 140/140 | 55/60 | 60/70 | 50/55 | 142/142 |
| | | | 66/73 | 70/80 | 60/67 | 140/140 | 68/75 | 70/80 | 62/69 | 142/142 |
| | 460-3-60 | DD-STD | 13.0 | 20 | 14 | 46 | 14.0 | 20 | 15 | 47 |
| | | | 14 | 20 | 14 | 46 | 15 | 20 | 15 | 47 |
| | | | 22 | 25 | 20 | 46 | 24 | 25 | 22 | 47 |
| | | | 26 | 30 | 24 | 46 | 27 | 30 | 25 | 47 |
| | | | 40 | 40 | 36 | 46 | 41 | 45 | 38 | 47 |
| | | MED | 12.0 | 15 | 12 | 53 | 13.0 | 15 | 13 | 54 |
| | | | 13 | 15 | 12 | 53 | 14 | 15 | 13 | 54 |
| | | | 21 | 25 | 19 | 53 | 22 | 25 | 20 | 54 |
| | | | 25 | 25 | 23 | 53 | 26 | 30 | 24 | 54 |
| | | | 38 | 40 | 35 | 53 | 40 | 40 | 36 | 54 |
| | | HIGH | 13.0 | 15 | 13 | 69 | 14.0 | 20 | 14 | 70 |
| | | | 14 | 15 | 13 | 69 | 15 | 20 | 14 | 70 |
| | | | 22 | 25 | 20 | 69 | 23 | 25 | 21 | 70 |
| | | | 26 | 30 | 24 | 69 | 27 | 30 | 25 | 70 |
| | | | 39 | 40 | 36 | 69 | 41 | 45 | 37 | 70 |
| 575-3-60 | DD-STD | 11.0 | 15 | 12 | 38 | 13.0 | 15 | 14 | 40 | |
| | | 17 | 20 | 15 | 38 | 19 | 20 | 17 | 40 | |
| | | 22 | 25 | 20 | 38 | 25 | 25 | 23 | 40 | |
| | MED | 10.0 | 15 | 10 | 43 | 12.0 | 15 | 12 | 45 | |
| | | 15 | 15 | 14 | 43 | 17 | 20 | 16 | 45 | |
| | | 21 | 25 | 19 | 43 | 23 | 25 | 21 | 45 | |
| | HIGH | 12.0 | 15 | 12 | 56 | 14.0 | 15 | 14 | 58 | |
| | | 17 | 20 | 16 | 56 | 20 | 20 | 18 | 58 | |
| | | 23 | 25 | 21 | 56 | 25 | 30 | 23 | 58 | |

50LC

MCA/MOCP (cont.)

Table 35 – 50LC*006

MCA/MOCP DETERMINATION NO C.O. OR UNPWRD C.O NON HACR BREAKER MODEL

| UNIT | NOM. V-Ph-Hz | IFM TYPE | NO C.O. or UNPWR C.O. | | | | | | | |
|----------|------------------|-------------|-----------------------|-------|------------|---------|--------------------------|--------|------------|---------|
| | | | NO P.E. | | | | w/ P.E. (pwrdr fr/ unit) | | | |
| | | | MCA | MOCP | DISC. SIZE | | MCA | MOCP | DISC. SIZE | |
| | | | | | FLA | LRA | | | FLA | LRA |
| 06 | 208/ 230-3-60 | DD-STD | 31.0 | 45 | 31 | 121 | 33.0 | 45 | 33 | 123 |
| | | | 31/31 | 45/45 | 31/31 | 121/121 | 33/33 | 45/45 | 33/33 | 123/123 |
| | | | 37/41 | 45/45 | 34/38 | 121/121 | 39/43 | 45/45 | 36/40 | 123/123 |
| | | | 51/57 | 60/60 | 47/53 | 121/121 | 53/60 | 60/60 | 49/55 | 123/123 |
| | | | 64/72 | 70/80 | 59/67 | 121/121 | 66/75 | 70/80 | 61/69 | 123/123 |
| | | | 78/89 | 80/90 | 72/82 | 121/121 | 81/91 | 90/100 | 74/84 | 123/123 |
| | | MED | 31/31 | 45/45 | 31/30 | 141 | 33/33 | 45/45 | 33/33 | 143 |
| | | | 31/31 | 45/45 | 31/30 | 141/141 | 33/33 | 45/45 | 33/33 | 143/143 |
| | | | 36/40 | 45/45 | 33/37 | 141/141 | 39/43 | 45/45 | 36/39 | 143/143 |
| | | | 51/57 | 60/60 | 47/52 | 141/141 | 53/59 | 60/60 | 49/54 | 143/143 |
| | | | 64/72 | 70/80 | 59/66 | 141/141 | 66/74 | 70/80 | 61/68 | 143/143 |
| | | | 78/88 | 80/90 | 72/81 | 141/141 | 80/91 | 90/100 | 74/83 | 143/143 |
| | | HIGH | 32/32 | 45/45 | 33/32 | 167 | 34/34 | 50/45 | 35/34 | 169 |
| | | | 32/32 | 45/45 | 33/32 | 167/167 | 34/34 | 50/45 | 35/34 | 169/169 |
| | | | 38/41 | 45/45 | 35/38 | 167/167 | 41/44 | 50/45 | 37/40 | 169/169 |
| | | | 53/58 | 60/60 | 48/53 | 167/167 | 55/60 | 60/70 | 50/55 | 169/169 |
| | | | 66/73 | 70/80 | 60/67 | 167/167 | 68/75 | 70/80 | 62/69 | 169/169 |
| | | | 80/90 | 80/90 | 73/82 | 167/167 | 82/92 | 90/100 | 76/85 | 169/169 |
| | 460-3-60 | DD-STD | 15.0 | 20 | 15 | 57 | 16.0 | 20 | 16 | 58 |
| | | | 15 | 20 | 15 | 57 | 16 | 20 | 16 | 58 |
| | | | 22 | 25 | 20 | 57 | 24 | 25 | 22 | 58 |
| | | | 26 | 30 | 24 | 57 | 27 | 30 | 25 | 58 |
| | | | 40 | 40 | 36 | 57 | 41 | 45 | 38 | 58 |
| | | | 43 | 45 | 40 | 57 | 45 | 45 | 41 | 58 |
| | | MED | 15.0 | 20 | 15 | 66 | 16.0 | 20 | 16 | 67 |
| | | | 15 | 20 | 15 | 66 | 16 | 20 | 16 | 67 |
| | | | 22 | 25 | 20 | 66 | 23 | 25 | 21 | 67 |
| | | | 26 | 30 | 24 | 66 | 27 | 30 | 25 | 67 |
| | | | 39 | 40 | 36 | 66 | 41 | 45 | 37 | 67 |
| | | | 43 | 45 | 40 | 66 | 44 | 45 | 41 | 67 |
| | | HIGH | 15.0 | 20 | 15 | 80 | 16.0 | 20 | 16 | 81 |
| | | | 15 | 20 | 15 | 80 | 16 | 20 | 16 | 81 |
| | | | 22 | 25 | 20 | 80 | 23 | 25 | 21 | 81 |
| | | | 26 | 30 | 24 | 80 | 27 | 30 | 25 | 81 |
| | | | 39 | 40 | 36 | 80 | 41 | 45 | 37 | 81 |
| | | | 43 | 45 | 40 | 80 | 44 | 45 | 41 | 81 |
| 575-3-60 | DD-STD | 12.0 | 15 | 12 | 44 | 14.0 | 20 | 14 | 46 | |
| | | 22 | 25 | 20 | 44 | 25 | 25 | 23 | 46 | |
| | | 34 | 35 | 31 | 44 | 36 | 40 | 33 | 46 | |
| | MED | 12.0 | 15 | 12 | 53 | 13.0 | 15 | 14 | 55 | |
| | | 22 | 25 | 20 | 53 | 24 | 25 | 22 | 55 | |
| | | 33 | 35 | 31 | 53 | 36 | 40 | 33 | 55 | |
| | HIGH | 13.0 | 15 | 13 | 62 | 14.0 | 20 | 15 | 64 | |
| | | 23 | 25 | 21 | 62 | 25 | 30 | 23 | 64 | |
| | | 35 | 35 | 32 | 62 | 37 | 40 | 34 | 64 | |

50LC

MCA/MOCP (cont.)

Table 36 – 50LC*004

MCA/MOCP DETERMINATION WITH POWERED CONVENIENCE OUTLET NON HACR BREAKER MODEL

| UNIT | NOM. V-Ph-Hz | IFM TYPE | w/ PWRD C.O. | | | | | | | | |
|------|------------------|----------|--------------|-------|------------|---------|------------------------|-------|------------|---------|----|
| | | | NO PE. | | | | w/ PE. (pwrd fr/ unit) | | | | |
| | | | MCA | MOCP | DISC. SIZE | | MCA | MOCP | DISC. SIZE | | |
| | | | | | FLA | LRA | | | FLA | LRA | |
| 04 | 208/ 230-3-60 | DD-STD | 29.0 | 40 | 30 | 88 | 31.0 | 40 | 32 | 90 | |
| | | | 29/29 | 40/40 | 30/30 | 88/88 | 31/31 | 40/40 | 32/32 | 90/90 | |
| | | | 30/33 | 40/40 | 30/30 | 88/88 | 33/35 | 40/40 | 32/32 | 90/90 | |
| | | | 36/39 | 40/40 | 33/36 | 88/88 | 38/42 | 40/45 | 35/38 | 90/90 | |
| | | | 41/45 | 45/45 | 37/41 | 88/88 | 43/47 | 45/50 | 40/43 | 90/90 | |
| | | | 55/61 | 60/70 | 51/56 | 88/88 | 57/64 | 60/70 | 53/59 | 90/90 | |
| | | MED | 29/28 | 40/40 | 30/29 | 105 | 31/30 | 40/40 | 32/32 | 107 | |
| | | | 29/28 | 40/40 | 30/29 | 105/105 | 31/30 | 40/40 | 32/32 | 107/107 | |
| | | | 30/33 | 40/40 | 30/30 | 105/105 | 33/35 | 40/40 | 32/32 | 107/107 | |
| | | | 36/39 | 40/40 | 33/36 | 105/105 | 38/42 | 40/45 | 35/38 | 107/107 | |
| | | | 41/45 | 45/45 | 37/41 | 105/105 | 43/47 | 45/50 | 40/43 | 107/107 | |
| | | | 55/61 | 60/70 | 51/56 | 105/105 | 57/64 | 60/70 | 53/58 | 107/107 | |
| | | HIGH | 30/30 | 40/40 | 31/31 | 109 | 32/32 | 40/40 | 33/33 | 111 | |
| | | | 30/30 | 40/40 | 31/31 | 109/109 | 32/32 | 40/40 | 33/33 | 111/111 | |
| | | | 32/34 | 40/40 | 31/31 | 109/109 | 34/36 | 40/40 | 33/33 | 111/111 | |
| | | | 38/41 | 40/45 | 35/37 | 109/109 | 40/43 | 40/45 | 37/40 | 111/111 | |
| | | | 42/46 | 45/50 | 39/42 | 109/109 | 45/49 | 45/50 | 41/45 | 111/111 | |
| | | | 57/63 | 60/70 | 52/58 | 109/109 | 59/65 | 60/70 | 54/60 | 111/111 | |
| | 460-3-60 | DD-STD | 14.0 | 20 | 14 | 44 | 15.0 | 20 | 16 | 45 | |
| | | | 16 | 20 | 14 | 44 | 17 | 20 | 16 | 45 | |
| | | | 20 | 20 | 18 | 44 | 21 | 25 | 20 | 45 | |
| | | | 24 | 25 | 22 | 44 | 25 | 30 | 23 | 45 | |
| | | | 28 | 30 | 26 | 44 | 29 | 30 | 27 | 45 | |
| | | MED | 14.0 | 20 | 14 | 52 | 15.0 | 20 | 15 | 53 | |
| | | | 15 | 20 | 14 | 52 | 17 | 20 | 15 | 53 | |
| | | | 20 | 20 | 18 | 52 | 21 | 25 | 19 | 53 | |
| | | | 24 | 25 | 22 | 52 | 25 | 25 | 23 | 53 | |
| | | | 27 | 30 | 25 | 52 | 29 | 30 | 26 | 53 | |
| | | HIGH | 15.0 | 20 | 15 | 54 | 16.0 | 20 | 16 | 55 | |
| | | | 17 | 20 | 15 | 54 | 18 | 20 | 16 | 55 | |
| | | | 21 | 25 | 19 | 54 | 22 | 25 | 20 | 55 | |
| | | | 25 | 25 | 23 | 54 | 26 | 30 | 24 | 55 | |
| | | | 29 | 30 | 26 | 54 | 30 | 30 | 27 | 55 | |
| | | 575-3-60 | DD-STD | 11.0 | 15 | 12 | 32 | 13.0 | 15 | 14 | 34 |
| | | | | 18 | 20 | 16 | 32 | 20 | 25 | 18 | 34 |
| | | | | 23 | 25 | 22 | 32 | 26 | 30 | 24 | 34 |
| MED | 11.0 | | 15 | 11 | 38 | 13.0 | 15 | 14 | 40 | | |
| | 17 | | 20 | 16 | 38 | 20 | 20 | 18 | 40 | | |
| | 23 | | 25 | 21 | 38 | 25 | 30 | 23 | 40 | | |
| HIGH | 12.0 | | 15 | 12 | 42 | 14.0 | 15 | 14 | 44 | | |
| | 18 | | 20 | 17 | 42 | 20 | 25 | 19 | 44 | | |
| | 24 | | 25 | 22 | 42 | 26 | 30 | 24 | 44 | | |

50LC

MCA/MOCP (cont.)

Table 37 – 50LC*005

MCA/MOCP DETERMINATION WITH POWERED CONVENIENCE OUTLET NON HACR BREAKER MODEL

| UNIT | NOM. V-Ph-Hz | IFM TYPE | w/ PWRD C.O. | | | | | | | |
|----------|------------------|----------|--------------|-------|------------|---------|-------------------------|-------|------------|---------|
| | | | NO PE. | | | | w/ P.E. (pwrd fr/ unit) | | | |
| | | | MCA | MOCP | DISC. SIZE | | MCA | MOCP | DISC. SIZE | |
| | | | | | FLA | LRA | | | FLA | LRA |
| 05 | 208/ 230-3-60 | DD-STD | 33.0 | 45 | 34 | 99 | 35.0 | 45 | 36 | 101 |
| | | | 33/35 | 45/45 | 34/34 | 99/99 | 35/37 | 45/45 | 36/36 | 101/101 |
| | | | 38/41 | 45/45 | 35/38 | 99/99 | 40/44 | 45/45 | 37/40 | 101/101 |
| | | | 57/63 | 60/70 | 52/58 | 99/99 | 59/66 | 60/70 | 55/60 | 101/101 |
| | | | 70/78 | 80/80 | 64/72 | 99/99 | 72/81 | 80/90 | 67/74 | 101/101 |
| | | MED | 32/31 | 45/45 | 32/32 | 115 | 34/33 | 45/45 | 35/34 | 117 |
| | | | 32/33 | 45/45 | 32/32 | 115/115 | 34/35 | 45/45 | 35/34 | 117/117 |
| | | | 36/39 | 45/45 | 33/36 | 115/115 | 38/42 | 45/45 | 35/38 | 117/117 |
| | | | 55/61 | 60/70 | 51/56 | 115/115 | 57/64 | 60/70 | 53/58 | 117/117 |
| | | | 68/76 | 70/80 | 63/70 | 115/115 | 70/79 | 80/80 | 65/72 | 117/117 |
| | | HIGH | 34/34 | 45/45 | 36/35 | 145 | 36/36 | 50/45 | 38/37 | 147 |
| | | | 34/35 | 45/45 | 36/35 | 145/145 | 36/38 | 50/45 | 38/37 | 147/147 |
| | | | 39/42 | 45/45 | 36/39 | 145/145 | 42/44 | 50/45 | 38/41 | 147/147 |
| | | | 59/64 | 60/70 | 54/59 | 145/145 | 61/66 | 70/70 | 56/61 | 147/147 |
| | | | 72/79 | 80/80 | 66/73 | 145/145 | 74/81 | 80/90 | 68/75 | 147/147 |
| | 460-3-60 | DD-STD | 16.0 | 20 | 16 | 48 | 17.0 | 20 | 17 | 49 |
| | | | 17 | 20 | 16 | 48 | 18 | 20 | 17 | 49 |
| | | | 25 | 25 | 23 | 48 | 26 | 30 | 24 | 49 |
| | | | 29 | 30 | 26 | 48 | 30 | 30 | 28 | 49 |
| | | | 42 | 45 | 39 | 48 | 44 | 45 | 40 | 49 |
| | | MED | 15.0 | 20 | 15 | 55 | 16.0 | 20 | 16 | 56 |
| | | | 15 | 20 | 15 | 55 | 17 | 20 | 16 | 56 |
| | | | 24 | 25 | 22 | 55 | 25 | 25 | 23 | 56 |
| | | | 27 | 30 | 25 | 55 | 29 | 30 | 26 | 56 |
| | | | 41 | 45 | 38 | 55 | 42 | 45 | 39 | 56 |
| | | HIGH | 15.0 | 20 | 16 | 71 | 16.0 | 20 | 17 | 72 |
| | | | 17 | 20 | 16 | 71 | 18 | 20 | 17 | 72 |
| | | | 25 | 25 | 23 | 71 | 26 | 30 | 24 | 72 |
| | | | 29 | 30 | 26 | 71 | 30 | 30 | 27 | 72 |
| | | | 42 | 45 | 39 | 71 | 43 | 45 | 40 | 72 |
| 575-3-60 | DD-STD | 13.0 | 15 | 13 | 40 | 15.0 | 20 | 16 | 42 | |
| | | 19 | 20 | 17 | 40 | 21 | 25 | 19 | 42 | |
| | | 24 | 25 | 22 | 40 | 27 | 30 | 25 | 42 | |
| | MED | 12.0 | 15 | 12 | 45 | 14.0 | 15 | 14 | 47 | |
| | | 17 | 20 | 16 | 45 | 20 | 20 | 18 | 47 | |
| | | 23 | 25 | 21 | 45 | 25 | 30 | 23 | 47 | |
| | HIGH | 13.0 | 15 | 14 | 58 | 15.0 | 20 | 16 | 60 | |
| | | 19 | 20 | 18 | 58 | 22 | 25 | 20 | 60 | |
| | | 25 | 25 | 23 | 58 | 27 | 30 | 25 | 60 | |

50LC

MCA/MOCP (cont.)

Table 38 – 50LC*006

**MCA/MOCP DETERMINATION WITH POWERED CONVENIENCE OUTLET
NON HACR BREAKER MODEL**

| UNIT | NOM. V-Ph-Hz | IFM TYPE | w/ PWRD C.O. | | | | | | | |
|----------|------------------|----------|--------------|--------|------------|---------|-------------------------|--------|------------|---------|
| | | | NO PE. | | | | w/ P.E. (pwrd fr/ unit) | | | |
| | | | MCA | MOCP | DISC. SIZE | | MCA | MOCP | DISC. SIZE | |
| | | | | | FLA | LRA | | | FLA | LRA |
| 06 | 208/ 230-3-60 | DD-STD | 36.0 | 50 | 37 | 126 | 38.0 | 50 | 39 | 128 |
| | | | 36/36 | 50/50 | 37/37 | 126/126 | 38/38 | 50/50 | 39/39 | 128/128 |
| | | | 43/47 | 50/50 | 39/43 | 126/126 | 45/49 | 50/50 | 41/45 | 128/128 |
| | | | 57/63 | 60/70 | 52/58 | 126/126 | 59/66 | 60/70 | 55/60 | 128/128 |
| | | | 70/78 | 80/80 | 64/72 | 126/126 | 72/81 | 80/90 | 67/74 | 128/128 |
| | | | 84/95 | 90/100 | 78/87 | 126/126 | 87/97 | 90/100 | 80/90 | 128/128 |
| | | MED | 36/35 | 50/50 | 36/36 | 146 | 38/37 | 50/50 | 39/38 | 148 |
| | | | 36/35 | 50/50 | 36/36 | 146/146 | 38/37 | 50/50 | 39/38 | 148/148 |
| | | | 42/46 | 50/50 | 39/42 | 146/146 | 45/49 | 50/50 | 41/45 | 148/148 |
| | | | 57/63 | 60/70 | 52/58 | 146/146 | 59/65 | 60/70 | 54/60 | 148/148 |
| | | | 70/78 | 70/80 | 64/71 | 146/146 | 72/80 | 80/90 | 66/74 | 148/148 |
| | | | 84/94 | 90/100 | 77/87 | 146/146 | 86/97 | 90/100 | 79/89 | 148/148 |
| | | HIGH | 37/36 | 50/50 | 38/37 | 172 | 39/38 | 50/50 | 40/39 | 174 |
| | | | 37/36 | 50/50 | 38/37 | 172/172 | 39/38 | 50/50 | 40/39 | 174/174 |
| | | | 44/47 | 50/50 | 41/44 | 172/172 | 47/50 | 50/50 | 43/46 | 174/174 |
| | | | 59/64 | 60/70 | 54/59 | 172/172 | 61/66 | 70/70 | 56/61 | 174/174 |
| | | | 72/79 | 80/80 | 66/73 | 172/172 | 74/81 | 80/90 | 68/75 | 174/174 |
| | | | 86/96 | 90/100 | 79/88 | 172/172 | 88/98 | 90/100 | 81/90 | 174/174 |
| | 460-3-60 | DD-STD | 17.0 | 20 | 17 | 59 | 18.0 | 25 | 19 | 60 |
| | | | 17 | 20 | 17 | 59 | 18 | 25 | 19 | 60 |
| | | | 25 | 25 | 23 | 59 | 26 | 30 | 24 | 60 |
| | | | 29 | 30 | 26 | 59 | 30 | 30 | 28 | 60 |
| | | | 42 | 45 | 39 | 59 | 44 | 45 | 40 | 60 |
| | | | 46 | 50 | 42 | 59 | 47 | 50 | 44 | 60 |
| | | MED | 17.0 | 20 | 17 | 68 | 18.0 | 25 | 18 | 69 |
| | | | 17 | 20 | 17 | 68 | 18 | 25 | 18 | 69 |
| | | | 25 | 25 | 23 | 68 | 26 | 30 | 24 | 69 |
| | | | 29 | 30 | 26 | 68 | 30 | 30 | 27 | 69 |
| | | | 42 | 45 | 39 | 68 | 43 | 45 | 40 | 69 |
| | | | 46 | 50 | 42 | 68 | 47 | 50 | 43 | 69 |
| | | HIGH | 17.0 | 20 | 17 | 82 | 18.0 | 25 | 18 | 83 |
| | | | 17 | 20 | 17 | 82 | 18 | 25 | 18 | 83 |
| | | | 25 | 25 | 23 | 82 | 26 | 30 | 24 | 83 |
| | | | 29 | 30 | 26 | 82 | 30 | 30 | 27 | 83 |
| | | | 42 | 45 | 39 | 82 | 43 | 45 | 40 | 83 |
| | | | 46 | 50 | 42 | 82 | 47 | 50 | 43 | 83 |
| 575-3-60 | DD-STD | 14.0 | 20 | 14 | 46 | 16.0 | 20 | 16 | 48 | |
| | | 24 | 25 | 22 | 46 | 27 | 30 | 25 | 48 | |
| | | 36 | 40 | 33 | 46 | 38 | 40 | 35 | 48 | |
| | MED | 13.0 | 15 | 14 | 55 | 15.0 | 20 | 16 | 57 | |
| | | 24 | 25 | 22 | 55 | 26 | 30 | 24 | 57 | |
| | | 35 | 40 | 33 | 55 | 38 | 40 | 35 | 57 | |
| | HIGH | 14.0 | 20 | 15 | 64 | 16.0 | 20 | 17 | 66 | |
| | | 25 | 25 | 23 | 64 | 27 | 30 | 25 | 66 | |
| | | 37 | 40 | 34 | 64 | 39 | 40 | 36 | 66 | |

50LC

MCA/MOCP (cont.)

Table 39 – 50LC*004

MCA/MOCP DETERMINATION NO C.O. OR UNPWRD C.O. HACR BREAKER MODEL

| UNIT | NOM. V-Ph-Hz | IFM TYPE | NO C.O. or UNPWR C.O. | | | | | | | | |
|------|------------------|-------------|-----------------------|--------------|------------|---------|-------------------------|--------------|------------|---------|----|
| | | | NO PE. | | | | w/ PE. (pwrdr fr/ unit) | | | | |
| | | | MCA | HACR BRKR | DISC. SIZE | | MCA | HACR BRKR | DISC. SIZE | | |
| | | | | | FLA | LRA | | | FLA | LRA | |
| 04 | 208/ 230-3-60 | DD-STD | 24.0 | 30 | 24 | 83 | 26.0 | 30 | 26 | 85 | |
| | | | 24/24 | 30/30 | 24/24 | 83/83 | 26/26 | 30/30 | 26/26 | 85/85 | |
| | | | 27/27 | 30/30 | 24/25 | 83/83 | 29/29 | 30/30 | 26/27 | 85/85 | |
| | | | 33/33 | 35/35 | 27/31 | 83/83 | 36/36 | 40/40 | 30/33 | 85/85 | |
| | | | 39/39 | 40/40 | 32/36 | 83/83 | 41/41 | 45/45 | 34/38 | 85/85 | |
| | | | 55/55 | 60/60 | 45/51 | 83/83 | 58/58 | 60/60 | 47/53 | 85/85 | |
| | | MED | 24/24 | 30/30 | 24/24 | 100 | 26/26 | 30/30 | 26/26 | 102 | |
| | | | 24/24 | 30/30 | 24/24 | 100/100 | 26/26 | 30/30 | 26/26 | 102/102 | |
| | | | 27/27 | 30/30 | 24/24 | 100/100 | 29/29 | 30/30 | 26/27 | 102/102 | |
| | | | 33/33 | 35/35 | 27/30 | 100/100 | 36/36 | 40/40 | 30/33 | 102/102 | |
| | | | 39/39 | 40/40 | 32/36 | 100/100 | 41/41 | 45/45 | 34/38 | 102/102 | |
| | | | 55/55 | 60/60 | 45/51 | 100/100 | 58/58 | 60/60 | 47/53 | 102/102 | |
| | | HIGH | 25/25 | 30/30 | 26/25 | 104 | 27/27 | 30/30 | 28/27 | 106 | |
| | | | 25/25 | 30/30 | 26/25 | 104/104 | 27/27 | 30/30 | 28/27 | 106/106 | |
| | | | 28/28 | 30/30 | 26/26 | 104/104 | 30/30 | 35/35 | 28/28 | 106/106 | |
| | | | 35/35 | 35/35 | 29/32 | 104/104 | 37/37 | 40/40 | 31/34 | 106/106 | |
| | | | 40/40 | 45/45 | 33/37 | 104/104 | 43/43 | 45/45 | 36/39 | 106/106 | |
| | | | 57/57 | 60/60 | 47/52 | 104/104 | 59/59 | 60/60 | 49/54 | 106/106 | |
| | 460-3-60 | | DD-STD | 12.0 | 15 | 12 | 42 | 13.0 | 15 | 13 | 43 |
| | | | | 13 | 15 | 12 | 42 | 14 | 15 | 13 | 43 |
| | | 17 | | 20 | 16 | 42 | 19 | 20 | 17 | 43 | |
| | | 21 | | 25 | 20 | 42 | 23 | 25 | 21 | 43 | |
| | | 25 | | 30 | 23 | 42 | 26 | 30 | 24 | 43 | |
| | | MED | 11.0 | 15 | 12 | 50 | 12.0 | 15 | 13 | 51 | |
| | | | 13 | 15 | 12 | 50 | 14 | 15 | 13 | 51 | |
| | | | 17 | 20 | 16 | 50 | 18 | 20 | 17 | 51 | |
| | | | 21 | 25 | 19 | 50 | 22 | 25 | 20 | 51 | |
| | | | 25 | 25 | 23 | 50 | 26 | 30 | 24 | 51 | |
| | | HIGH | 12.0 | 15 | 13 | 52 | 13.0 | 15 | 14 | 53 | |
| | | | 14 | 15 | 13 | 52 | 15 | 15 | 14 | 53 | |
| | 18 | | 20 | 17 | 52 | 19 | 20 | 18 | 53 | | |
| | 22 | | 25 | 20 | 52 | 23 | 25 | 21 | 53 | | |
| | 26 | | 30 | 24 | 52 | 27 | 30 | 25 | 53 | | |
| | 575-3-60 | DD-STD | 10.0 | 15 | 10 | 30 | 12.0 | 15 | 12 | 32 | |
| | | | 16 | 20 | 14 | 30 | 18 | 20 | 16 | 32 | |
| | | | 21 | 25 | 20 | 30 | 24 | 25 | 22 | 32 | |
| MED | | 9.0 | 15 | 9 | 36 | 11.0 | 15 | 12 | 38 | | |
| | | 15 | 15 | 14 | 36 | 17 | 20 | 16 | 38 | | |
| | | 21 | 25 | 19 | 36 | 23 | 25 | 21 | 38 | | |
| HIGH | | 10.0 | 15 | 10 | 40 | 12.0 | 15 | 12 | 42 | | |
| | | 16 | 20 | 15 | 40 | 18 | 20 | 17 | 42 | | |
| | | 22 | 25 | 20 | 40 | 24 | 25 | 22 | 42 | | |

50LC

For units with factory installed HACR breaker, the MCA and MOCP values (208/230/3/60 only) are intentionally increased so only one MCA and MOCP can be listed.

Example: A unit without the factory installed HACR breaker has a MCA of 30/33 and MOCP of 30/35 at 208/230V respectively. The values change to 33/33 MCA and 35/35 MOCP for a unit with factory installed HACR breaker. This is to insure maximum protection.

MCA/MOCP (cont.)

Table 40 – 50LC*005

MCA/MOCP DETERMINATION NO C.O. OR UNPWRD C.O. HACR BREAKER MODEL

| UNIT | NOM. V-Ph-Hz | IFM TYPE | NO C.O. or UNPWR C.O. | | | | | | | |
|----------|------------------|-------------|-----------------------|--------------|------------|---------|-------------------------|--------------|------------|---------|
| | | | NO PE. | | | | w/ PE. (pwrdr fr/ unit) | | | |
| | | | MCA | HACR BRKR | DISC. SIZE | | MCA | HACR BRKR | DISC. SIZE | |
| | | | | | FLA | LRA | | | FLA | LRA |
| 05 | 208/ 230-3-60 | DD-STD | 28.0 | 40 | 29 | 94 | 30.0 | 40 | 31 | 96 |
| | | | 29/29 | 40/40 | 29/29 | 94/94 | 31/31 | 40/40 | 31/31 | 96/96 |
| | | | 35/35 | 40/40 | 29/33 | 94/94 | 38/38 | 40/40 | 32/35 | 96/96 |
| | | | 57/57 | 60/60 | 47/53 | 94/94 | 60/60 | 60/60 | 49/55 | 96/96 |
| | | | 72/72 | 80/80 | 59/67 | 94/94 | 75/75 | 80/80 | 61/69 | 96/96 |
| | | MED | 27/27 | 40/40 | 27/27 | 110 | 29/29 | 40/40 | 29/29 | 112 |
| | | | 27/27 | 40/40 | 27/27 | 110/110 | 29/29 | 40/40 | 29/29 | 112/112 |
| | | | 33/33 | 40/40 | 27/30 | 110/110 | 36/36 | 40/40 | 30/33 | 112/112 |
| | | | 55/55 | 60/60 | 45/51 | 110/110 | 58/58 | 60/60 | 47/53 | 112/112 |
| | | | 70/70 | 80/80 | 57/65 | 110/110 | 73/73 | 80/80 | 59/67 | 112/112 |
| | | HIGH | 30/30 | 40/40 | 30/29 | 140 | 32/32 | 45/45 | 32/31 | 142 |
| | | | 30/30 | 40/40 | 30/29 | 140/140 | 32/32 | 45/45 | 32/31 | 142/142 |
| | | | 36/36 | 40/40 | 31/33 | 140/140 | 38/38 | 45/45 | 33/35 | 142/142 |
| | | | 58/58 | 60/60 | 48/53 | 140/140 | 60/60 | 70/70 | 50/55 | 142/142 |
| | | | 73/73 | 80/80 | 60/67 | 140/140 | 75/75 | 80/80 | 62/69 | 142/142 |
| | 460-3-60 | DD-STD | 13.0 | 20 | 14 | 46 | 14.0 | 20 | 15 | 47 |
| | | | 14 | 20 | 14 | 46 | 15 | 20 | 15 | 47 |
| | | | 22 | 25 | 20 | 46 | 24 | 25 | 22 | 47 |
| | | | 26 | 30 | 24 | 46 | 27 | 30 | 25 | 47 |
| | | | 40 | 40 | 36 | 46 | 41 | 45 | 38 | 47 |
| | | MED | 12.0 | 15 | 12 | 53 | 13.0 | 15 | 13 | 54 |
| | | | 13 | 15 | 12 | 53 | 14 | 15 | 13 | 54 |
| | | | 21 | 25 | 19 | 53 | 22 | 25 | 20 | 54 |
| | | | 25 | 25 | 23 | 53 | 26 | 30 | 24 | 54 |
| | | | 38 | 40 | 35 | 53 | 40 | 40 | 36 | 54 |
| | | HIGH | 13.0 | 15 | 13 | 69 | 14.0 | 20 | 14 | 70 |
| | | | 14 | 15 | 13 | 69 | 15 | 20 | 14 | 70 |
| | | | 22 | 25 | 20 | 69 | 23 | 25 | 21 | 70 |
| | | | 26 | 30 | 24 | 69 | 27 | 30 | 25 | 70 |
| | | | 39 | 40 | 36 | 69 | 41 | 45 | 37 | 70 |
| 575-3-60 | DD-STD | 11.0 | 15 | 12 | 38 | 13.0 | 15 | 14 | 40 | |
| | | 17 | 20 | 15 | 38 | 19 | 20 | 17 | 40 | |
| | | 22 | 25 | 20 | 38 | 25 | 25 | 23 | 40 | |
| | MED | 10.0 | 15 | 10 | 43 | 12.0 | 15 | 12 | 45 | |
| | | 15 | 15 | 14 | 43 | 17 | 20 | 16 | 45 | |
| | | 21 | 25 | 19 | 43 | 23 | 25 | 21 | 45 | |
| | HIGH | 12.0 | 15 | 12 | 56 | 14.0 | 15 | 14 | 58 | |
| | | 17 | 20 | 16 | 56 | 20 | 20 | 18 | 58 | |
| | | 23 | 25 | 21 | 56 | 25 | 30 | 23 | 58 | |

For units with factory installed HACR breaker, the MCA and MOCP values (208/230/3/60 only) are intentionally increased so only one MCA and MOCP can be listed.

Example: A unit without the factory installed HACR breaker has a MCA of 30/33 and MOCP of 30/35 at 208/230V respectively. The values change to 33/33 MCA and 35/35 MOCP for a unit with factory installed HACR breaker. This is to insure maximum protection.

MCA/MOCP (cont.)

Table 41 – 50LC*006

MCA/MOCP DETERMINATION NO C.O. OR UNPWRD C.O. HACR BREAKER MODEL

| UNIT | NOM. V-Ph-Hz | IFM TYPE | NO C.O. or UNPWR C.O. | | | | | | | |
|----------|------------------|-------------|-----------------------|--------------|------------|---------|-------------------------|--------------|------------|---------|
| | | | NO PE. | | | | w/ PE. (pwrdr fr/ unit) | | | |
| | | | MCA | HACR BRKR | DISC. SIZE | | MCA | HACR BRKR | DISC. SIZE | |
| | | | | | FLA | LRA | | | FLA | LRA |
| 06 | 208/ 230-3-60 | DD-STD | 31.0 | 45 | 31 | 121 | 33.0 | 45 | 33 | 123 |
| | | | 31/31 | 45/45 | 31/31 | 121/121 | 33/33 | 45/45 | 33/33 | 123/123 |
| | | | 41/41 | 45/45 | 34/38 | 121/121 | 43/43 | 45/45 | 36/40 | 123/123 |
| | | | 57/57 | 60/60 | 47/53 | 121/121 | 60/60 | 60/60 | 49/55 | 123/123 |
| | | | 72/72 | 80/80 | 59/67 | 121/121 | 75/75 | 80/80 | 61/69 | 123/123 |
| | | | 89/89 | 90/90 | 72/82 | 121/121 | 91/91 | 100/100 | 74/84 | 123/123 |
| | | MED | 31/31 | 45/45 | 31/30 | 141 | 33/33 | 45/45 | 33/33 | 143 |
| | | | 31/31 | 45/45 | 31/30 | 141/141 | 33/33 | 45/45 | 33/33 | 143/143 |
| | | | 40/40 | 45/45 | 33/37 | 141/141 | 43/43 | 45/45 | 36/39 | 143/143 |
| | | | 57/57 | 60/60 | 47/52 | 141/141 | 59/59 | 60/60 | 49/54 | 143/143 |
| | | | 72/72 | 80/80 | 59/66 | 141/141 | 74/74 | 80/80 | 61/68 | 143/143 |
| | | | 88/88 | 90/90 | 72/81 | 141/141 | 91/91 | 100/100 | 74/83 | 143/143 |
| | | HIGH | 32/32 | 45/45 | 33/32 | 167 | 34/34 | 50/50 | 35/34 | 169 |
| | | | 32/32 | 45/45 | 33/32 | 167/167 | 34/34 | 50/50 | 35/34 | 169/169 |
| | | | 41/41 | 45/45 | 35/38 | 167/167 | 44/44 | 50/50 | 37/40 | 169/169 |
| | | | 58/58 | 60/60 | 48/53 | 167/167 | 60/60 | 70/70 | 50/55 | 169/169 |
| | | | 73/73 | 80/80 | 60/67 | 167/167 | 75/75 | 80/80 | 62/69 | 169/169 |
| | | | 90/90 | 90/90 | 73/82 | 167/167 | 92/92 | 100/100 | 76/85 | 169/169 |
| | 460-3-60 | DD-STD | 15.0 | 20 | 15 | 57 | 16.0 | 20 | 16 | 58 |
| | | | 15 | 20 | 15 | 57 | 16 | 20 | 16 | 58 |
| | | | 22 | 25 | 20 | 57 | 24 | 25 | 22 | 58 |
| | | | 26 | 30 | 24 | 57 | 27 | 30 | 25 | 58 |
| | | | 40 | 40 | 36 | 57 | 41 | 45 | 38 | 58 |
| | | | 43 | 45 | 40 | 57 | 45 | 45 | 41 | 58 |
| | | MED | 15.0 | 20 | 15 | 66 | 16.0 | 20 | 16 | 67 |
| | | | 15 | 20 | 15 | 66 | 16 | 20 | 16 | 67 |
| | | | 22 | 25 | 20 | 66 | 23 | 25 | 21 | 67 |
| | | | 26 | 30 | 24 | 66 | 27 | 30 | 25 | 67 |
| | | | 39 | 40 | 36 | 66 | 41 | 45 | 37 | 67 |
| | | | 43 | 45 | 40 | 66 | 44 | 45 | 41 | 67 |
| | | HIGH | 15.0 | 20 | 15 | 80 | 16.0 | 20 | 16 | 81 |
| | | | 15 | 20 | 15 | 80 | 16 | 20 | 16 | 81 |
| | | | 22 | 25 | 20 | 80 | 23 | 25 | 21 | 81 |
| | | | 26 | 30 | 24 | 80 | 27 | 30 | 25 | 81 |
| | | | 39 | 40 | 36 | 80 | 41 | 45 | 37 | 81 |
| | | | 43 | 45 | 40 | 80 | 44 | 45 | 41 | 81 |
| 575-3-60 | DD-STD | 12.0 | 15 | 12 | 44 | 14.0 | 20 | 14 | 46 | |
| | | 22 | 25 | 20 | 44 | 25 | 25 | 23 | 46 | |
| | | 34 | 35 | 31 | 44 | 36 | 40 | 33 | 46 | |
| | MED | 12.0 | 15 | 12 | 53 | 13.0 | 15 | 14 | 55 | |
| | | 22 | 25 | 20 | 53 | 24 | 25 | 22 | 55 | |
| | | 33 | 35 | 31 | 53 | 36 | 40 | 33 | 55 | |
| | HIGH | 13.0 | 15 | 13 | 62 | 14.0 | 20 | 15 | 64 | |
| | | 23 | 25 | 21 | 62 | 25 | 30 | 23 | 64 | |
| | | 35 | 35 | 32 | 62 | 37 | 40 | 34 | 64 | |

50LC

For units with factory installed HACR breaker, the MCA and MOCP values (208/230/3/60 only) are intentionally increased so only one MCA and MOCP can be listed.

Example: A unit without the factory installed HACR breaker has a MCA of 30/33 and MOCP of 30/35 at 208/230V respectively. The values change to 33/33 MCA and 35/35 MOCP for a unit with factory installed HACR breaker. This is to insure maximum protection.

MCA/MOCP (cont.)

Table 42 – 50LC*004

MCA/MOCP DETERMINATION WITH POWERED CONVENIENCE OUTLET HACR BREAKER MODEL

| UNIT | NOM. V-Ph-Hz | IFM TYPE | w/ PWRD C.O. | | | | | | | | | |
|------|------------------|-------------|--------------|--------------|------------|---------|-------------------------|--------------|------------|---------|----|----|
| | | | NO P.E. | | | | w/ P.E. (pwrd fr/ unit) | | | | | |
| | | | MCA | HACR BRKR | DISC. SIZE | | MCA | HACR BRKR | DISC. SIZE | | | |
| | | | | | FLA | LRA | | | FLA | LRA | | |
| 04 | 208/ 230-3-60 | DD-STD | 29.0 | 40 | 30 | 88 | 31.0 | 40 | 32 | 90 | | |
| | | | 29/29 | 40/40 | 30/30 | 88/88 | 31/31 | 40/40 | 32/32 | 90/90 | | |
| | | | 33/33 | 40/40 | 30/30 | 88/88 | 35/35 | 40/40 | 32/32 | 90/90 | | |
| | | | 39/39 | 40/40 | 33/36 | 88/88 | 42/42 | 45/45 | 35/38 | 90/90 | | |
| | | | 45/45 | 45/45 | 37/41 | 88/88 | 47/47 | 50/50 | 40/43 | 90/90 | | |
| | | | 61/61 | 70/70 | 51/56 | 88/88 | 64/64 | 70/70 | 53/59 | 90/90 | | |
| | | MED | 29/29 | 40/40 | 30/29 | 105 | 31/31 | 40/40 | 32/32 | 107 | | |
| | | | 29/29 | 40/40 | 30/29 | 105/105 | 31/31 | 40/40 | 32/32 | 107/107 | | |
| | | | 33/33 | 40/40 | 30/30 | 105/105 | 35/35 | 40/40 | 32/32 | 107/107 | | |
| | | | 39/39 | 40/40 | 33/36 | 105/105 | 42/42 | 45/45 | 35/38 | 107/107 | | |
| | | | 45/45 | 45/45 | 37/41 | 105/105 | 47/47 | 50/50 | 40/43 | 107/107 | | |
| | | | 61/61 | 70/70 | 51/56 | 105/105 | 64/64 | 70/70 | 53/58 | 107/107 | | |
| | | HIGH | 30/30 | 40/40 | 31/31 | 109 | 32/32 | 40/40 | 33/33 | 111 | | |
| | | | 30/30 | 40/40 | 31/31 | 109/109 | 32/32 | 40/40 | 33/33 | 111/111 | | |
| | | | 34/34 | 40/40 | 31/31 | 109/109 | 36/36 | 40/40 | 33/33 | 111/111 | | |
| | | | 41/41 | 45/45 | 35/37 | 109/109 | 43/43 | 45/45 | 37/40 | 111/111 | | |
| | | | 46/46 | 50/50 | 39/42 | 109/109 | 49/49 | 50/50 | 41/45 | 111/111 | | |
| | | | 63/63 | 70/70 | 52/58 | 109/109 | 65/65 | 70/70 | 54/60 | 111/111 | | |
| | 460-3-60 | DD-STD | 14.0 | 20 | 14 | 44 | 15.0 | 20 | 16 | 45 | | |
| | | | 16 | 20 | 14 | 44 | 17 | 20 | 16 | 45 | | |
| | | | 20 | 20 | 18 | 44 | 21 | 25 | 20 | 45 | | |
| | | | 24 | 25 | 22 | 44 | 25 | 30 | 23 | 45 | | |
| | | | 28 | 30 | 26 | 44 | 29 | 30 | 27 | 45 | | |
| | | | 14.0 | 20 | 14 | 52 | 15.0 | 20 | 15 | 53 | | |
| | | MED | 15 | 20 | 14 | 52 | 17 | 20 | 15 | 53 | | |
| | | | 20 | 20 | 18 | 52 | 21 | 25 | 19 | 53 | | |
| | | | 24 | 25 | 22 | 52 | 25 | 25 | 23 | 53 | | |
| | | | 27 | 30 | 25 | 52 | 29 | 30 | 26 | 53 | | |
| | | | 15.0 | 20 | 15 | 54 | 16.0 | 20 | 16 | 55 | | |
| | | | 17 | 20 | 15 | 54 | 18 | 20 | 16 | 55 | | |
| | | HIGH | 21 | 25 | 19 | 54 | 22 | 25 | 20 | 55 | | |
| | | | 25 | 25 | 23 | 54 | 26 | 30 | 24 | 55 | | |
| | | | 29 | 30 | 26 | 54 | 30 | 30 | 27 | 55 | | |
| | | | 11.0 | 15 | 12 | 32 | 13.0 | 15 | 14 | 34 | | |
| | | | 575-3-60 | DD-STD | 18 | 20 | 16 | 32 | 20 | 25 | 18 | 34 |
| | | | | | 23 | 25 | 22 | 32 | 26 | 30 | 24 | 34 |
| 11.0 | 15 | 11 | | | 38 | 13.0 | 15 | 14 | 40 | | | |
| MED | 17 | 20 | | 16 | 38 | 20 | 20 | 18 | 40 | | | |
| | 23 | 25 | | 21 | 38 | 25 | 30 | 23 | 40 | | | |
| | 12.0 | 15 | | 12 | 42 | 14.0 | 15 | 14 | 44 | | | |
| HIGH | 18 | 20 | 17 | 42 | 20 | 25 | 19 | 44 | | | | |
| | 24 | 25 | 22 | 42 | 26 | 30 | 24 | 44 | | | | |

For units with factory installed HACR breaker, the MCA and MOCP values (208/230/3/60 only) are intentionally increased so only one MCA and MOCP can be listed.

Example: A unit without the factory installed HACR breaker has a MCA of 30/33 and MOCP of 30/35 at 208/230V respectively. The values change to 33/33 MCA and 35/35 MOCP for a unit with factory installed HACR breaker. This is to insure maximum protection.

MCA/MOCP (cont.)

Table 43 – 50LC*005

MCA/MOCP DETERMINATION WITH POWERED CONVENIENCE OUTLET HACR BREAKER MODEL

| UNIT | NOM. V-Ph-Hz | IFM TYPE | w/ PWRD C.O. | | | | | | | |
|----------|------------------|-------------|--------------|--------------|------------|---------|------------------------|--------------|------------|---------|
| | | | NO PE. | | | | w/ PE. (pwrd fr/ unit) | | | |
| | | | MCA | HACR BRKR | DISC. SIZE | | MCA | HACR BRKR | DISC. SIZE | |
| | | | | | FLA | LRA | | | FLA | LRA |
| 05 | 208/ 230-3-60 | DD-STD | 33.0 | 45 | 34 | 99 | 35.0 | 45 | 36 | 101 |
| | | | 35/35 | 45/45 | 34/34 | 99/99 | 37/37 | 45/45 | 36/36 | 101/101 |
| | | | 41/41 | 45/45 | 35/38 | 99/99 | 44/44 | 45/45 | 37/40 | 101/101 |
| | | | 63/63 | 70/70 | 52/58 | 99/99 | 66/66 | 70/70 | 55/60 | 101/101 |
| | | | 78/78 | 80/80 | 64/72 | 99/99 | 81/81 | 90/90 | 67/74 | 101/101 |
| | | MED | 32/32 | 45/45 | 32/32 | 115 | 34/34 | 45/45 | 35/34 | 117 |
| | | | 33/33 | 45/45 | 32/32 | 115/115 | 35/35 | 45/45 | 35/34 | 117/117 |
| | | | 39/39 | 45/45 | 33/36 | 115/115 | 42/42 | 45/45 | 35/38 | 117/117 |
| | | | 61/61 | 70/70 | 51/56 | 115/115 | 64/64 | 70/70 | 53/58 | 117/117 |
| | | | 76/76 | 80/80 | 63/70 | 115/115 | 79/79 | 80/80 | 65/72 | 117/117 |
| | | HIGH | 34/34 | 45/45 | 36/35 | 145 | 36/36 | 50/50 | 38/37 | 147 |
| | | | 35/35 | 45/45 | 36/35 | 145/145 | 38/38 | 50/50 | 38/37 | 147/147 |
| | | | 42/42 | 45/45 | 36/39 | 145/145 | 44/44 | 50/50 | 38/41 | 147/147 |
| | | | 64/64 | 70/70 | 54/59 | 145/145 | 66/66 | 70/70 | 56/61 | 147/147 |
| | | | 79/79 | 80/80 | 66/73 | 145/145 | 81/81 | 90/90 | 68/75 | 147/147 |
| | 460-3-60 | DD-STD | 16.0 | 20 | 16 | 48 | 17.0 | 20 | 17 | 49 |
| | | | 17 | 20 | 16 | 48 | 18 | 20 | 17 | 49 |
| | | | 25 | 25 | 23 | 48 | 26 | 30 | 24 | 49 |
| | | | 29 | 30 | 26 | 48 | 30 | 30 | 28 | 49 |
| | | | 42 | 45 | 39 | 48 | 44 | 45 | 40 | 49 |
| | | MED | 15.0 | 20 | 15 | 55 | 16.0 | 20 | 16 | 56 |
| | | | 15 | 20 | 15 | 55 | 17 | 20 | 16 | 56 |
| | | | 24 | 25 | 22 | 55 | 25 | 25 | 23 | 56 |
| | | | 27 | 30 | 25 | 55 | 29 | 30 | 26 | 56 |
| | | | 41 | 45 | 38 | 55 | 42 | 45 | 39 | 56 |
| | | HIGH | 15.0 | 20 | 16 | 71 | 16.0 | 20 | 17 | 72 |
| | | | 17 | 20 | 16 | 71 | 18 | 20 | 17 | 72 |
| | | | 25 | 25 | 23 | 71 | 26 | 30 | 24 | 72 |
| | | | 29 | 30 | 26 | 71 | 30 | 30 | 27 | 72 |
| | | | 42 | 45 | 39 | 71 | 43 | 45 | 40 | 72 |
| 575-3-60 | DD-STD | 13.0 | 15 | 13 | 40 | 15.0 | 20 | 16 | 42 | |
| | | 19 | 20 | 17 | 40 | 21 | 25 | 19 | 42 | |
| | | 24 | 25 | 22 | 40 | 27 | 30 | 25 | 42 | |
| | MED | 12.0 | 15 | 12 | 45 | 14.0 | 15 | 14 | 47 | |
| | | 17 | 20 | 16 | 45 | 20 | 20 | 18 | 47 | |
| | | 23 | 25 | 21 | 45 | 25 | 30 | 23 | 47 | |
| | HIGH | 13.0 | 15 | 14 | 58 | 15.0 | 20 | 16 | 60 | |
| | | 19 | 20 | 18 | 58 | 22 | 25 | 20 | 60 | |
| | | 25 | 25 | 23 | 58 | 27 | 30 | 25 | 60 | |

50LC

For units with factory installed HACR breaker, the MCA and MOCP values (208/230/3/60 only) are intentionally increased so only one MCA and MOCP can be listed.

Example: A unit without the factory installed HACR breaker has a MCA of 30/33 and MOCP of 30/35 at 208/230V respectively. The values change to 33/33 MCA and 35/35 MOCP for a unit with factory installed HACR breaker. This is to insure maximum protection.

MCA/MOCP (cont.)

Table 44 – 50LC*006

**MCA/MOCP DETERMINATION WITH POWERED CONVENIENCE OUTLET
HACR BREAKER MODEL**

| UNIT | NOM. V-Ph-Hz | IFM TYPE | w/ PWRD C.O. | | | | | | | |
|----------|------------------|-------------|--------------|--------------|------------|---------|-------------------------|--------------|------------|---------|
| | | | NO P.E. | | | | w/ P.E. (pwrd fr/ unit) | | | |
| | | | MCA | HACR BRKR | DISC. SIZE | | MCA | HACR BRKR | DISC. SIZE | |
| | | | | | FLA | LRA | | | FLA | LRA |
| 06 | 208/ 230-3-60 | DD-STD | 36.0 | 50 | 37 | 126 | 38.0 | 50 | 39 | 128 |
| | | | 36/36 | 50/50 | 37/37 | 126/126 | 38/38 | 50/50 | 39/39 | 128/128 |
| | | | 47/47 | 50/50 | 39/43 | 126/126 | 49/49 | 50/50 | 41/45 | 128/128 |
| | | | 63/63 | 70/70 | 52/58 | 126/126 | 66/66 | 70/70 | 55/60 | 128/128 |
| | | | 78/78 | 80/80 | 64/72 | 126/126 | 81/81 | 90/90 | 67/74 | 128/128 |
| | | | 95/95 | 100/100 | 78/87 | 126/126 | 97/97 | 100/100 | 80/90 | 128/128 |
| | | MED | 36/36 | 50/50 | 36/36 | 146 | 38/38 | 50/50 | 39/38 | 148 |
| | | | 36/36 | 50/50 | 36/36 | 146/146 | 38/38 | 50/50 | 39/38 | 148/148 |
| | | | 46/46 | 50/50 | 39/42 | 146/146 | 49/49 | 50/50 | 41/45 | 148/148 |
| | | | 63/63 | 70/70 | 52/58 | 146/146 | 65/65 | 70/70 | 54/60 | 148/148 |
| | | | 78/78 | 80/80 | 64/71 | 146/146 | 80/80 | 90/90 | 66/74 | 148/148 |
| | | | 94/94 | 100/100 | 77/87 | 146/146 | 97/97 | 100/100 | 79/89 | 148/148 |
| | | HIGH | 37/37 | 50/50 | 38/37 | 172 | 39/39 | 50/50 | 40/39 | 174 |
| | | | 37/37 | 50/50 | 38/37 | 172/172 | 39/39 | 50/50 | 40/39 | 174/174 |
| | | | 47/47 | 50/50 | 41/44 | 172/172 | 50/50 | 50/50 | 43/46 | 174/174 |
| | | | 64/64 | 70/70 | 54/59 | 172/172 | 66/66 | 70/70 | 56/61 | 174/174 |
| | | | 79/79 | 80/80 | 66/73 | 172/172 | 81/81 | 90/90 | 68/75 | 174/174 |
| | | | 96/96 | 100/100 | 79/88 | 172/172 | 98/98 | 100/100 | 81/90 | 174/174 |
| | 460-3-60 | DD-STD | 17.0 | 20 | 17 | 59 | 18.0 | 25 | 19 | 60 |
| | | | 17 | 20 | 17 | 59 | 18 | 25 | 19 | 60 |
| | | | 25 | 25 | 23 | 59 | 26 | 30 | 24 | 60 |
| | | | 29 | 30 | 26 | 59 | 30 | 30 | 28 | 60 |
| | | | 42 | 45 | 39 | 59 | 44 | 45 | 40 | 60 |
| | | | 46 | 50 | 42 | 59 | 47 | 50 | 44 | 60 |
| | | MED | 17.0 | 20 | 17 | 68 | 18.0 | 25 | 18 | 69 |
| | | | 17 | 20 | 17 | 68 | 18 | 25 | 18 | 69 |
| | | | 25 | 25 | 23 | 68 | 26 | 30 | 24 | 69 |
| | | | 29 | 30 | 26 | 68 | 30 | 30 | 27 | 69 |
| | | | 42 | 45 | 39 | 68 | 43 | 45 | 40 | 69 |
| | | | 46 | 50 | 42 | 68 | 47 | 50 | 43 | 69 |
| | | HIGH | 17.0 | 20 | 17 | 82 | 18.0 | 25 | 18 | 83 |
| | | | 17 | 20 | 17 | 82 | 18 | 25 | 18 | 83 |
| | | | 25 | 25 | 23 | 82 | 26 | 30 | 24 | 83 |
| | | | 29 | 30 | 26 | 82 | 30 | 30 | 27 | 83 |
| | | | 42 | 45 | 39 | 82 | 43 | 45 | 40 | 83 |
| | | | 46 | 50 | 42 | 82 | 47 | 50 | 43 | 83 |
| 575-3-60 | DD-STD | 14.0 | 20 | 14 | 46 | 16.0 | 20 | 16 | 48 | |
| | | 24 | 25 | 22 | 46 | 27 | 30 | 25 | 48 | |
| | | 36 | 40 | 33 | 46 | 38 | 40 | 35 | 48 | |
| | MED | 13.0 | 15 | 14 | 55 | 15.0 | 20 | 16 | 57 | |
| | | 24 | 25 | 22 | 55 | 26 | 30 | 24 | 57 | |
| | | 35 | 40 | 33 | 55 | 38 | 40 | 35 | 57 | |
| | HIGH | 14.0 | 20 | 15 | 64 | 16.0 | 20 | 17 | 66 | |
| | | 25 | 25 | 23 | 64 | 27 | 30 | 25 | 66 | |
| | | 37 | 40 | 34 | 64 | 39 | 40 | 36 | 66 | |

For units with factory installed HACR breaker, the MCA and MOCP values (208/230/3/60 only) are intentionally increased so only one MCA and MOCP can be listed.

Example: A unit without the factory installed HACR breaker has a MCA of 30/33 and MOCP of 30/35 at 208/230V respectively. The values change to 33/33 MCA and 35/35 MOCP for a unit with factory installed HACR breaker. This is to insure maximum protection.

SEQUENCE OF OPERATION

General

The sequence below describes the sequence of operation for an electromechanical unit with and without a factory installed EconoMi\$er X (called “economizer” in this sequence).

Electromechanical units with no economizer

Cooling

When the thermostat calls for cooling, terminals G and Y1 are energized. As a result, the indoor-fan contactor (IFC) and the compressor contactor (C1) are energized, causing the indoor fan motor (IFM) Low speed, compressor first stage cooling, and outdoor fan to start. All 50LC units have 2 stages of cooling, if required the thermostat will additionally energize Y2. The Y2 signal will energize compressor contactor #2 (C2), causing compressor second stage to start, and IFM to shift to High speed. Regardless of the number of stages, the outdoor-fan motor runs continuously while unit is cooling.

Heating

When the thermostat calls for heating, power is sent to W on the unit control board to activate the electric heater.

If a two stage electric heat model and additional heat is required, W2 is activated for full electric heat operation.

With any heating stages the fan will run high fan speed.

Ventilation

50LC electromechanical unit’s indoor fans have two speeds. Low Speed and High Speed are the standard unit speeds. The Low Speed will operate during ventilation operation.

Electromechanical units with an economizer

Cooling

When free cooling is not available, the compressors will be controlled by the zone thermostat. When free cooling is available, the outdoor-air damper is modulated by the EconoMi\$er X control to provide a 50°F (10°C) to 55°F (13°C) mixed-air temperature into the zone. As the mixed air temperature fluctuates above 55°F (13°C) or below 50°F (10°C) dampers will be modulated (open or close) to bring the mixed-air temperature back within control. If mechanical cooling is utilized with free cooling, the outdoor-air damper will maintain its current position at the time the compressor is started. If the increase in cooling capacity causes the mixed-air temperature to drop below 45°F (7°C), then the outdoor-air damper position will be decreased to the minimum position. If the mixed-air temperature continues to fall, the outdoor-air damper will close. Control returns to normal once the mixed-air temperature rises above 48°F (9°C). The power exhaust fans will be energized and de-energized, if installed, as the outdoor-air damper opens and closes.

If field-installed accessory CO2 sensors are connected to the EconoMi\$er X control, a demand controlled ventilation strategy will begin to operate. As the CO2 level in the zone increases above the CO2 setpoint, the minimum position of the damper will be increased proportionally. As the CO2 level decreases because of the increase in fresh air, the outdoor-air damper will be proportionally closed. For EconoMi\$er X operation, there must be a thermostat call for the fan (G). If the unit is occupied and the fan is on, the damper will operate at minimum position. Otherwise, the damper will be closed.

When the EconoMi\$er X control is in the occupied mode and a call for cooling exists (Y1 on the thermostat), the control will first check for indoor fan operation. If the fan is not on, then cooling will not be activated. If the fan is on, then the control will open the EconoMi\$er X damper to the minimum position.

On the initial power to the EconoMi\$er X control, it will take the damper up to 2 1/2 minutes before it begins to position itself. After the initial power-up, further changes in damper position can take up to 30 seconds to initiate. Damper movement from full closed to full open (or vice versa) will take between 1 1/2 and 2 1/2 minutes. If free cooling can be used as determined from the appropriate changeover command (switch, dry bulb, enthalpy curve, differential dry bulb, or differential enthalpy), then the control will modulate the dampers open to maintain the mixed-air temperature setpoint at 50°F (10°C) to 55°F (13°C). If there is a further demand for cooling (cooling second stage - Y2 is energized), then the control will bring on compressor stage 1 to maintain the mixed-air temperature setpoint. The EconoMi\$er X damper will be open at maximum position. EconoMi\$er X operation is limited to compressor stage 1.

Heating

The sequence of operation for the heating is the same as an electromechanical unit with no economizer. The only difference is how the economizer acts. The economizer will stay at the Economizer Minimum Position while the evaporator fan is operating. The outdoor-air damper is closed when the indoor fan is not operating.

Advance Operation with ComfortLink Controls

General

The sequence below appends the sequence of operation for an electromechanical unit with and without a factory installed EconoMi\$er. For detailed information regarding direct digital controller operation, see the start-up, operations, and troubleshooting manual.

WeatherExpert (50LC) units ComfortLink controls have multiple fan speeds. Direct drive units have two speeds with an optional third speed. If configured the third speed is used during ventilation operation.

SEQUENCE OF OPERATION (cont.)

Belt drive VFD units have 5 speeds that the indoor fan will run at based on the running mode and conditioning demand. The 5 speeds are Supply Fan Maximum Speed (100% of balanced airflow), Supply Fan Speed 1, 2, 3, and Supply Fan Speed Ventilation. Supply Fan Speed 2 is pre set to the optimum energy efficiency part load speed. Fan Speed 1 and 3 are pre-set to transition the fan during cooling stage up, and to aid in dehumidification. These 2 speeds can be adjusted in the field to optimize dehumidification, load balancing, or efficiency.

Cooling

In general, the unit enters a cooling mode based on a demand, decides how to satisfy the demand, executes its plan, and then leaves the cooling mode. ComfortLink controls can support a thermostat, space sensor, or building control, the unit operation is generally the same for each.

Cooling staging control and compressor control work hand in hand to determine what the demand is, what is available, and how to satisfy the demand.

On direct drive fan units the fan will follow simple control. With one stage of cooling running, the fan will run the low fan speed. With 2 stages of cooling running, the fan will run high fan speed. On belt drive VFD fan units the fan will be controlled as described below.

The indoor fan speed will change throughout cooling operation based on cooling demand, run time, supply air temperature, and refrigerant suction temperature. With only one stage of cooling running the fan will run at Supply Fan Speed 1 and then Supply Fan Speed 2. With 2 stages of cooling running the fan will run at Supply Fan Speed 3 and then Supply Fan Maximum Speed. The fan will wait 8 minutes between fan speeds 1 and 2 or 3 and max, unless the supply air overrides it. The supply air temperature (SAT) can override the 8 minute timer if it falls below the Minimum Supply Air Temperature or if its trend anticipates a need for more air to maximize occupant comfort.

Indoor fan speed control and compressor control will work in tandem to maintain unit operation with regard to low refrigerant suction temperature in conditions where cooling is demanded and there is low load.

Dehumidification Control

Optional dehumidification operation can be achieved through installation and configuration of either a space relative humidity sensor or a relative humidity switch input.

NOTE: Use of a humidity sensor requires an economizer control board; alternately a humidistat can be used with a field installed relay.

There are three types of dehumidification control set by through unit configuration: no dehumidification control, maximum dehumidification control, or maximum comfort dehumidification control.

NOTE: When there is a dehumidification demand, the economizer damper position is limited to its minimum damper position.

Max Dehumidification

When the Dehumidification Control Type set to Maximum Dehumidification Control the control will try to satisfy the dehumidification demand by providing the maximum compression stage allowable and the minimum fan speed available while maintain saturated suction temperature to provide continuous operation.

Max Comfort Dehumidification

When the Dehumidification Control Type set to Maximum Comfort, the control will try to satisfy the demand while minimizing the cold air dump. The fan staging and compressor staging will operate similar to Maximum Dehumidification but the supply fan speed will be increased as necessary to additionally prevent Supply Air Temperature (SAT) from decreasing below Minimum Supply Air Temperature.

Free Cooling Operation with an Economizer

Direct Drive Units

During free cooling the fan will run at Low Speed. After the economizer reaches 100% (or Max) for 5 minutes, the fan will be changed to High Speed. The fan will drop back to low speed if the damper position falls below 75%. The compressor will be allowed for use after the fan and economizer are 100% (or Max) for 5 minutes. Once compression is turned on the economizer and fan will remain at 100% until the call for cooling is removed.

Belt Drive VFD Units

During free cooling the fan will start at Speed 1. After the economizer reaches 100% (or Max) for 1 minute, the fan will be changed to Speed 2. If the damper remains at 100% the speed will increase every minute until maximum speed. If the damper starts to close the current running fan speed will be locked in until cooling call is removed. The compressor will be allowed for use after the fan and economizer are 100% (or Max) for 5 minutes. Once compression is turned on the economizer and fan will remain at 100% until the call for cooling is removed.

Heating

The heating sequence of operation is generally the same as the sequence for an electromechanical unit.

GUIDE SPECIFICATIONS - 50LC*004-06

Note about this specification:

This specification is in the “Masterformat” as published by the Construction Specification Institute. Please feel free to copy this specification directly into your building spec.

Cooling Only/Electric Heat Packaged Rooftop

HVAC Guide Specifications

Size Range: 3 to 5 Nominal Tons



50LC

| <u>Section</u> | <u>Description</u> |
|----------------|--------------------|
|----------------|--------------------|

| | |
|-----------------|---|
| 23 06 80 | Schedules for Decentralized HVAC Equipment |
|-----------------|---|

- | | |
|----------------|---|
| 23 06 80.13 | Decentralized Unitary HVAC Equipment Schedule |
| 23 06 80.13.A. | Rooftop unit schedule |
| 1. | Schedule is per the project specification requirements. |

| | |
|-----------------|----------------------------------|
| 23 07 16 | HVAC Equipment Insulation |
|-----------------|----------------------------------|

- | | |
|----------------|---|
| 23 07 16.13 | Decentralized, Rooftop Units: |
| 23 07 16.13.A. | Evaporator fan compartment: |
| 1. | Interior cabinet surfaces shall be insulated with a minimum 1/2-in. thick, minimum 1 1/2 lb density, flexible fiberglass insulation bonded with a phenolic binder, neoprene coated on the air side. |
| 2. | Insulation and adhesive shall meet NFPA 90A requirements for flame spread and smoke generation. |
| 23 07 16.13.B. | Electric heat compartment: |
| 1. | Aluminum foil-faced fiberglass insulation shall be used. |
| 2. | Insulation and adhesive shall meet NFPA 90A requirements for flame spread and smoke generation. |

| | |
|-----------------|---|
| 23 09 13 | Instrumentation and Control Devices for HVAC |
|-----------------|---|

- | | |
|----------------|---|
| 23 09 13.23 | Sensors and Transmitters |
| 23 09 13.23.A. | Thermostats |
| 1. | Thermostat must |
| a. | energize both “W” and “G” when calling for heat. |
| b. | have capability to energize 2 different stages of cooling, and 2 different stages of heating. |
| c. | include capability for occupancy scheduling. |

| | |
|-----------------|---|
| 23 09 23 | Direct-digital Control system for HVAC |
|-----------------|---|

- | | |
|----------------|--|
| 23 09 23.13 | Decentralized, Rooftop Units: |
| 23 09 23.13.A. | ComfortLink Unit Controls shall contain: |
| 1. | Four button detailed English scrolling marquee display. |
| 2. | CCN (Carrier Comfort Network) capable. |
| 3. | Unit control with standard suction pressure transducers and condensing temperature thermistors. |
| 4. | Shall provide a 5°F temperature difference between cooling and heating set points to meet ASHRAE 90.1 Energy Standard. |
| 5. | Shall provide and display a current alarm list and an alarm history list. |
| 6. | Service run test capability. |
| 7. | Shall accept input from a CO ₂ sensor (both indoor and outdoor). |
| 8. | Configurable alarm light shall be provided which activates when certain types of alarms occur. |
| 9. | Compressor minimum run time (3 minutes) and minimum off time (5 minutes) are provided. |
| 10. | Service diagnostic mode. |

- 11. Economizer control (optional).
- 12. Control multi capacity stages
- 13. Unit shall be complete with self-contained low voltage control circuit.
- 14. Unit shall have 0°F low ambient cooling operation.

23 09 23.13.B. Safeties:

- 1. Unit shall incorporate a solid state compressor lockout that provides optional reset capability at the space thermostat, should any of the following safety devices trip and shut off compressor:
 - a. Compressor lockout protection provided for either internal or external overload.
 - b. Low pressure protection.
 - c. Freeze protection (evaporator coil).
 - d. High pressure protection (high pressure switch or internal).
 - e. Compressor reverse rotation protection
 - f. Loss of charge protection.
 - g. Supply air sensor shall be located in the unit and detect both heating and cooling operation

23 09 23.13.B. RTU Open - multi-protocol, direct digital controller:

- 1. Shall be ASHRAE 62-2001 compliant.
- 2. Shall accept 18-30VAC, 50-60Hz, and consumer 15VA or less power.
- 3. Shall have an operating temperature range from -40°F (-40°C) to 130°F (54°C), 10% - 90% RH (non-condensing).
- 4. Shall include built-in protocol for BACNET (MS/TP and PTP modes), Modbus (RTU and ASCII), Johnson N2 and LonWorks. LonWorks Echelon processor required for all Lon applications shall be contained in separate communication board.
- 5. Shall allow access of up to 62 network variables (SNVT). Shall be compatible with all open controllers
- 6. Baud rate Controller shall be selectable using a dipswitch.
- 7. Shall have an LED display independently showing the status of serial communication, running, errors, power, all digital outputs, and all analog inputs.
- 8. Shall accept the following inputs: space temperature, setpoint adjustment, outdoor air temperature, indoor air quality, outdoor air quality, compressor lock-out, fire shutdown, enthalpy switch, and fan status/filter status/humidity/ remote occupancy.
- 9. Shall provide the following outputs: economizer, fan, cooling stage 1, cooling stage 2, heat stage 1, heat stage 2, heat stage 3/ exhaust/ reversing valve.
- 10. Shall have built-in surge protection circuitry through solid state polyswitches. Polyswitches shall be used on incoming power and network connections. Polyswitches will return to normal when the “trip” condition clears.
- 11. Shall have a battery back-up capable of a minimum of 10,000 hours of data and time clock retention during power outages.
- 12. Shall have built-in support for Carrier technician tool.
- 13. Shall include an EIA-485 protocol communication port, an access port for connection of either a computer or a Carrier technician tool, an EIA-485 port for network communication to intelligent space sensors and displays, and a port to connect an optional LonWorks communications card.
- 14. Software upgrades will be accomplished by either local or remote download. No software upgrades through chip replacements are allowed.

23 09 33 Electric and Electronic Control System for HVAC

23 09 33.13 Decentralized, Rooftop Units:

23 09 33.13.A. General:

- 1. Shall be complete with self-contained low-voltage control circuit protected by a resettable circuit breaker on the 24-v transformer side. Transformer shall have 75VA capability.
- 2. Shall utilize color-coded wiring.
- 3. Shall include a central control terminal board to conveniently and safely provide connection points for vital control functions such as: smoke detectors, phase monitor, economizer, thermostat, DDC control options, and low and high pressure switches.
- 4. Unit shall include a minimum of one 8-pin screw terminal connection board for connection of control wiring.

23 09 33.23.B. Safeties:

- 1. Compressor over-temperature, over current.

- 2. Low-pressure switch.
 - a. Units with 2 compressors shall have different sized connectors for the circuit 1 and circuit 2 low and high pressure switches. They shall physically prevent the cross-wiring of the safety switches between circuits.
 - b. Low pressure switch shall use different color wire than the high pressure switch. The purpose is to assist the installer and service technician to correctly wire and or troubleshoot the rooftop unit.
- 3. High-pressure switch.
 - a. Units with 2 compressors shall have different sized connectors for the circuit 1 and circuit 2 low and high pressure switches. They shall physically prevent the cross-wiring of the safety switches between circuits 1 and 2.
 - b. High pressure switch shall use different color wire than the low pressure switch. The purpose is to assist the installer and service technician to correctly wire and or troubleshoot the rooftop unit.
- 4. Automatic reset, motor thermal overload protector.

23 09 93 Sequence of Operations for HVAC Controls

- 23 09 93.13 Decentralized, Rooftop Units:
- 23 09 93.13 INSERT SEQUENCE OF OPERATION

23 40 13 Panel Air Filters

- 23 40 13.13 Decentralized, Rooftop Units:
- 23 40 13.13.A. Standard filter section
 - 1. Shall consist of factory-installed, low velocity, throwaway 2-in. thick fiberglass filters of commercially available sizes.
 - 2. Unit shall use only one filter size. Multiple sizes are not acceptable.
 - 3. Filters shall be accessible through an access panel with “no-tool” removal as described in the unit cabinet section of this specification (23 81 19.13.H).

23 81 19 Self-Contained Air Conditioners

- 23 81 19.13 Small-Capacity Self-Contained Air Conditioners (50LC*004-06)
- 23 81 19.13.A. General
 - 1. Outdoor, rooftop mounted, electrically controlled, heating and cooling unit utilizing a two stage fully hermetic scroll compressor for cooling duty and gas combustion for heating duty.
 - 2. Factory assembled, single-piece heating and cooling rooftop unit. Contained within the unit enclosure shall be all factory wiring, piping, controls, and special features required prior to field start-up.
 - 3. Unit shall use environmentally safe, Puron® refrigerant.
 - 4. Unit shall be installed in accordance with the manufacturer’s instructions.
 - 5. Unit must be selected and installed in compliance with local, state, and federal codes.
- 23 81 19.13.B. Quality Assurance
 - 1. Unit meets ASHRAE 90.1 minimum efficiency requirements.
 - 2. Units shall be Energy Star qualified.
 - 3. Unit shall be rated in accordance with AHRI Standards 210/240.
 - 4. Unit shall be designed to conform to ASHRAE 15, 2001.
 - 5. Unit shall be UL-tested and certified in accordance with ANSI Z21.47 Standards and UL-listed and certified under Canadian standards as a total package for safety requirements.
 - 6. Insulation and adhesive shall meet NFPA 90A requirements for flame spread and smoke generation.
 - 7. Unit casing shall be capable of withstanding 500-hour salt spray exposure per ASTM B117 (scribed specimen).
 - 8. Unit casing shall be capable of withstanding Federal Test Method Standard No. 141 (Method 6061) 5000-hour salt spray.
 - 9. Unit shall be designed in accordance with ISO 9001, and shall be manufactured in a facility registered by ISO 9001.
 - 10. Roof curb shall be designed to conform to NRCA Standards.
 - 11. Unit shall be subjected to a completely automated run test on the assembly line. The data for each unit will be stored at the factory, and must be available upon request.
 - 12. Unit shall be designed in accordance with UL Standard 1995, including tested to withstand rain.
 - 13. Unit shall be constructed to prevent intrusion of snow and tested to prevent snow intrusion into the control box up to 40 mph.
 - 14. Unit shake tested to assurance level 1, ASTM D4169 to ensure shipping reliability.

23 81 19.13.C. Delivery, Storage, and Handling

1. Unit shall be stored and handled per manufacturer's recommendations.
2. Lifted by crane requires either shipping top panel or spreader bars.
3. Unit shall only be stored or positioned in the upright position.

23 81 19.13.D. Project Conditions

1. As specified in the contract.

23 81 19.13.E. Project Conditions

1. As specified in the contract.

23 81 19.13.F. Operating Characteristics

1. Unit shall be capable of starting and running at 125°F (52°C) ambient outdoor temperature, meeting maximum load criteria of AHRI Standard 210/240 at ± 10% voltage.
2. Compressor with standard controls electrical mechanical shall be capable of operation down to 10°F (-12°C), ambient outdoor temperatures. Units with ComfortLink controls shall be available if operation below 0°F (-18°C), is required.
3. Unit shall discharge supply air vertically or horizontally as shown on contract drawings.
4. Unit shall be factory configured for vertical supply & return configurations.
5. Unit shall be field convertible from vertical to horizontal airflow on all models. No special kit required.
6. Unit shall be capable of mixed operation: vertical supply with horizontal return or horizontal supply with vertical return.

23 81 19.13.G. Electrical Requirements

1. Main power supply voltage, phase, and frequency must match those required by the manufacturer.

23 81 19.13.H. Unit Cabinet

1. Unit cabinet shall be constructed of galvanized steel, and shall be bonderized and coated with a pre-painted baked enamel finish on all externally exposed surfaces.
2. Unit cabinet exterior paint shall be: film thickness, (dry) 0.003 inches minimum, gloss (per ASTM D523, 60°F): 60, Hardness: H-2H Pencil hardness.
3. Evaporator fan compartment interior cabinet insulation shall conform to AHRI Standards 210/240 or 340/360 minimum exterior sweat criteria. Interior surfaces shall be insulated with a minimum 1/2-in. thick, 1 lb density, flexible aluminum foil faced insulation on all interior air stream panels.
4. Base of unit shall have a minimum of four locations for thru-the-base gas and electrical connections (factory installed or field installed), standard.
5. Base Rail
 - a. Unit shall have base rails on a minimum of 2 sides.
 - b. Holes shall be provided in the base rails for rigging shackles to facilitate maneuvering and overhead rigging.
 - c. Holes shall be provided in the base rail for moving the rooftop by fork truck.
 - d. Base rail shall be a minimum of 16 gauge thickness.
6. Condensate pan and connections:
 - a. Shall be an internally sloped condensate drain pan made of a non-corrosive material.
 - b. Shall comply with ASHRAE Standard 62.
 - c. Shall use a 3/4-in. -14 NPT drain connection, possible either through the bottom or end of the drain pan. Connection shall be made per manufacturer's recommendations.
7. Top panel:
 - a. Shall be a single piece top panel on all models.
8. Electrical Connections
 - a. All unit power wiring shall enter unit cabinet at a single, factory-prepared, knockout location.
 - b. Thru-the-base capability
 - (1.) Standard unit shall have a thru-the-base electrical location(s) using a raised, embossed portion of the unit basepan.
 - (2.) Optional, factory-approved, water-tight connection method must be used for thru-the-base electrical connections.
 - (3.) No basepan penetration, other than those authorized by the manufacturer, is permitted.
9. Component access panels (standard)
 - a. Cabinet panels shall be easily removable for servicing.
 - b. Unit shall have one factory installed, tool-less, removable, filter access panel.

- c. Panels covering control box, indoor fan, indoor fan motor, gas components (where applicable), and compressors shall have molded composite handles.
- d. Handles shall be UV modified, composite, permanently attached, and recessed into the panel.
- e. Screws on the vertical portion of all removable access panel shall engage into heat resistant, molded composite collars.
- f. Collars shall be removable and easily replaceable using manufacturer recommended parts.

23 81 19.13.I. N/A

23 81 19.13.J. Coils

1. Standard Aluminum Fin/Copper Tube Coils:

- a. Standard evaporator and condenser coils shall have aluminum lanced plate fins mechanically bonded to seamless internally grooved copper tubes with all joints brazed.
- b. Evaporator coils shall be leak tested to 150 psig, pressure tested to 450 psig, and qualified to UL 1995 burst test at 1775 psig.
- c. Condenser coils shall be leak tested to 150 psig, pressure tested to 650 psig, and qualified to UL 1995 burst test at 1980 psig.

2. Optional Pre-coated aluminum-fin condenser coils:

- a. Shall have a durable epoxy-phenolic coating to provide protection in mildly corrosive coastal environments.
- b. Coating shall be applied to the aluminum fin stock prior to the fin stamping process to create an inert barrier between the aluminum fin and copper tube.
- c. Epoxy-phenolic barrier shall minimize galvanic action between dissimilar metals.

3. Optional Copper-fin evaporator and condenser coils):

- a. Shall be constructed of copper fins mechanically bonded to copper tubes and copper tube sheets.
- b. Galvanized steel tube sheets shall not be acceptable.
- c. A polymer strip shall prevent coil assembly from contacting the sheet metal coil pan to minimize potential for galvanic corrosion between coil and pan.

4. Optional E-coated aluminum-fin evaporator and condenser coils:

- a. Shall have a flexible epoxy polymer coating uniformly applied to all coil surface areas without material bridging between fins.
- b. Coating process shall ensure complete coil encapsulation of tubes, fins and headers.
- c. Color shall be high gloss black with gloss per ASTM D523-89.
- d. Uniform dry film thickness from 0.8 to 1.2 mil on all surface areas including fin edges.
- e. Superior hardness characteristics of 2H per ASTM D3363-92A and cross-hatch adhesion of 4B-5B per ASTM D3359-93.
- f. Impact resistance shall be up to 160 in.-lb (ASTM D2794-93).
- g. Humidity and water immersion resistance shall be up to minimum 1000 and 250 hours respectively (ASTM D2247-92 and ASTM D870-92).
- h. Corrosion durability shall be confirmed through testing to be no less than 1000 hours salt spray per ASTM B117-90.

5. Optional E-coated aluminum-fin, aluminum tube condenser coils:

- a. Shall have a flexible epoxy polymer coating uniformly applied to all coil external surface areas without material bridging between fins or louvers.
- b. Coating process shall ensure complete coil encapsulation, including all exposed fin edges.
- c. E-coat thickness of 0.8 to 1.2 mil with top coat having a uniform dry film thickness from 1.0 to 2.0 mil on all external coil surface areas, including fin edges, shall be provided.
- d. Shall have superior hardness characteristics of 2H per ASTM D3363-00 and cross-hatch adhesion of 4B-5B per ASTM D3359-02.
- e. Shall have superior impact resistance with no cracking, chipping or peeling per NSF/ANSI 51-2002 Method 10.2.

23 81 19.13.K. Refrigerant Components

1. Refrigerant circuit shall include the following control, safety, and maintenance features:

- a. Thermostatic Expansion Valve (TXV) shall help provide optimum performance across the entire operating range. Shall contain removable power element to allow change out of power element and bulb without removing the valve body.
- b. Refrigerant filter drier.
- c. Service gauge connections on suction and discharge lines.

- d. Pressure gauge access through a specially designed access port in the top panel of the unit.
- 2. There shall be gauge line access port in the skin of the rooftop, covered by a black, removable plug.
 - a. The plug shall be easy to remove and replace.
 - b. When the plug is removed, the gauge access port shall enable maintenance personnel to route their pressure gauge lines.
 - c. This gauge access port shall facilitate correct and accurate condenser pressure readings by enabling the reading with the compressor access panel on.
 - d. The plug shall be made of a leak proof, UV-resistant, composite material.
- 3. Compressors
 - a. Unit shall use one fully hermetic, scroll compressor for each independent refrigeration circuit.
 - b. Models shall be available with two stage capacity control.
 - c. Compressor motors shall be cooled by refrigerant gas passing through motor windings.
 - d. Compressors shall be internally protected from high discharge temperature conditions.
 - e. Compressors shall be protected from an over-temperature and over-ampere conditions by an internal, motor overload device.
 - f. Compressor shall be factory mounted on rubber grommets.
 - g. Compressor motors shall have internal line break thermal, current overload and high pressure differential protection.
 - h. Crankcase heaters shall be standard on each compressor.

23 81 19.13.L. Filter Section

- 1. Filters access is specified in the unit cabinet section of this specification.
- 2. Filters shall be held in place by a pivoting filter tray, facilitating easy removal and installation.
- 3. Shall consist of factory-installed, low velocity, throw-away 2-in. thick fiberglass filters.
- 4. Filters shall be standard, commercially available sizes.
- 5. Only one size filter per unit is allowed.

23 81 19.13.M. Evaporator Fan and Motor

- 1. Evaporator fan motor:
 - a. Shall have permanently lubricated bearings.
 - b. Shall have inherent automatic-reset thermal overload protection or circuit breaker.
 - c. Shall have a maximum continuous bhp rating for continuous duty operation; no safety factors above that rating shall be required.
- 2. ECM Direct Drive (Multi-Speed) Evaporator Fan Motor:
 - a. Multi speed motor with easy quick adjustment settings.
 - b. Blower fan shall be double-inlet type with forward-curved blades.
 - c. Shall be constructed from steel with a corrosion resistant finish and dynamically balanced.
 - d. Standard on all models.
- 3. Optional Belt-driven Evaporator Fan with VFD controller and display:
 - a. Belt drive shall include an adjustable-pitch motor pulley.
 - b. Shall use sealed, permanently lubricated ball-bearing type.
 - c. Blower fan shall be double-inlet type with forward-curved blades.
 - d. Shall be constructed from steel with a corrosion resistant finish and dynamically balanced.
 - e. Shall come with factory installed Variable Frequency Drive (VFD):
 - (1.) Shall be installed inside the unit cabinet, mounted, wired and tested
 - (2.) Shall contain Electromagnetic Interference (EMI) suppression (also called radio frequency interference or RFI) that may interrupt, obstruct, or otherwise degrade the effective performance of the internal circuit.
 - (3.) Insulated Gate Bi-Polar Transistors (IGBT) used to produce the output pulse width modulated (PWM) waveform, allowing for quiet motor operation.
 - (4.) Be self diagnostics
 - (5.) RS485 capability standard.
 - (6.) Electronic thermal overload protection.
 - (7.) 5% swinging chokes for harmonic reduction and improved power factor.
 - (8.) All printed circuit boards shall be conformal coated

23 81 19.13.N. Condenser Fans and Motors

1. Condenser fan motors:
 - a. Shall be a totally enclosed motor.
 - b. Shall use permanently lubricated bearings.
 - c. Shall have inherent thermal overload protection with an automatic reset feature.
 - d. Shall use a shaft-down design.
 - e. Shall be ECM design.
2. Condenser Fans:
 - a. Shall be a direct-driven propeller type fan.
 - b. Shall have aluminum blades riveted to corrosion-resistant steel spiders and shall be dynamically balanced.

23 81 19.13.O. Special Features, Options and Accessories

1. Standard Integrated Economizers
 - a. Integrated, gear driven parallel modulating blade design type capable of simultaneous economizer and compressor operation.
 - b. Independent modules for vertical or horizontal return configurations shall be available. Vertical return modules shall be available as a factory-installed option.
 - c. Damper blades shall be galvanized steel with composite gears. Plastic or composite blades on intake or return shall not be acceptable.
 - d. Shall include all hardware and controls to provide free cooling with outdoor air when temperature and/or humidity are below setpoints.
 - e. Shall be equipped with gear driven dampers for both the outdoor ventilation air and the return air for positive air stream control.
 - f. Standard models shall be equipped with low-leakage dampers, not to exceed 2% leakage at 1 in. wg pressure differential. Economizer controller on electromechanical units shall be Honeywell W7212 that provides:
 - (1.) Combined minimum and DCV maximum damper position potentiometers with compressor staging relay.
 - (2.) Functions with solid state analog enthalpy or dry bulb changeover control sensing.
 - (3.) Contain LED indicates for:
 - When free cooling is available
 - When module is in DCV mode
 - When exhaust fan contact is closed
 - g. Ultra low leak EconoMi\$er X system shall be available on models with 2-speed Variable Frequency Drive (VFD) systems. Only available on 2-speed indoor fan motor systems with electromechanical controls, RTU Open and ComfortLink.
 - (1.) Maximum damper leakage rate to be equal to or less than 4.0 cfm/sq. ft. at 1.0 in. w.g., meeting or exceeding ASHRAE 90.1 requirements. Economizer controller on electromechanical units shall be Honeywell W7220 that provides:
 - (2.) 2-line LCD interface screen for setup, configuration and troubleshooting
 - (3.) On-board fault detection and diagnostics
 - (4.) Sensor failure loss of communication identification
 - (5.) Automatic sensor detection
 - (6.) Capabilities for use with multiple-speed indoor fan systems
 - (7.) Utilize digital sensors: Dry bulb and Enthalpy
 - h. Shall be capable of introducing up to 100% outdoor air.
 - i. Shall be equipped with a barometric relief damper capable of relieving up to 100% return air.
 - j. Shall be designed to close damper(s) during loss-of-power situations with spring return built into motor.
 - k. Dry bulb outdoor air temperature sensor shall be provided as standard. Outdoor air sensor setpoint shall be adjustable and shall range from 40 to 100°F / 4 to 38°C. Additional sensor options shall be available as accessories.
 - l. The economizer controller shall also provide control of an accessory power exhaust unit function. Factory set at 100%, with a range of 0% to 100%.
 - m. The economizer shall maintain minimum airflow into the building during occupied period and provide design ventilation rate for full occupancy. A remote potentiometer may be used to override the damper setpoint.
 - n. Dampers shall be completely closed when the unit is in the unoccupied mode.

50LC

- o. Economizer controller shall accept a 2-10 Vdc CO₂ sensor input for IAQ/DCV control. In this mode, dampers shall modulate the outdoor air damper to provide ventilation based on the sensor input.
 - p. Compressor lockout sensor shall open at 35°F (2°C) and close closes at 50°F (10°C).
 - q. Actuator shall be direct coupled to economizer gear. No linkage arms or control rods shall be acceptable.
 - r. Economizer controller shall provide indications when in free cooling mode, in the DCV mode, or the exhaust fan contact is closed.
2. Condenser Coil Hail Guard Assembly (Factory installed option on 3 phase models. Field installed on all 3 and 1 phase models)
 - a. Shall protect against damage from hail.
 - b. Shall be louvered design.
 3. Unit-Mounted, Non-Fused Disconnect Switch:
 - a. Switch shall be factory-installed, internally mounted.
 - b. National Electric Code (NEC) and UL approved non-fused switch shall provide unit power shutoff.
 - c. Shall be accessible from outside the unit
 - d. Shall provide local shutdown and lockout capability.
 4. Convenience Outlet:
 - a. Powered convenience outlet (not available on 575 volt models).
 - (1.) Outlet shall be powered from main line power to the rooftop unit.
 - (2.) Outlet shall be powered from line side or load side of disconnect by installing contractor, as required by code. If outlet is powered from load side of disconnect, unit electrical ratings shall be UL certified and rated for additional outlet amperage.
 - (3.) Outlet shall be factory-installed and internally mounted with easily accessible 115-v female receptacle.
 - (4.) Outlet shall include 15 amp GFI receptacles with independent fuse protection.
 - (5.) Voltage required to operate convenience outlet shall be provided by a factory-installed step-down transformer.
 - (6.) Outlet shall be accessible from outside the unit.
 - (7.) Outlet shall include a field-installed “Wet in Use” cover.
 - b. Non-Powered convenience outlet.
 - (1.) Outlet shall be powered from a separate 115/120v power source.
 - (2.) A transformer shall not be included.
 - (3.) Outlet shall be factory-installed and internally mounted with easily accessible 115-v female receptacle.
 - (4.) Outlet shall include 15 amp GFI receptacles with independent fuse protection.
 - (5.) Outlet shall be accessible from outside the unit.
 - (6.) Outlet shall include a field-installed “Wet in Use” cover.
 5. Thru-the-Base Connectors:
 - a. Kits shall provide connectors to permit electrical connections to be brought to the unit through the unit basepan.
 - b. Minimum of four connection locations per unit.
 6. Propeller Power Exhaust:
 - a. Power exhaust shall be used in conjunction with an integrated economizer.
 - b. Independent modules for vertical or horizontal return configurations shall be available.
 - c. Horizontal power exhaust is shall be mounted in return ductwork.
 - d. Power exhaust shall be controlled by economizer controller operation. Exhaust fans shall be energized when dampers open past the 0-100% adjustable setpoint on the economizer control.
 7. Roof Curbs (Vertical):
 - a. Full perimeter roof curb with exhaust capability providing separate air streams for energy recovery from the exhaust air without supply air contamination.
 - b. Formed galvanized steel with wood nailer strip and shall be capable of supporting entire unit weight.
 - c. Permits installation and securing of ductwork to curb prior to mounting unit on the curb.
 8. High-Static Indoor Fan Motor(s) and Drive(s):
 - a. High-static motor(s) and drive(s) shall be factory-installed to provide additional performance range.
 9. Condenser Coil Grille:
 - a. Shall protect against damage from hail.

- b. Shall be of louvered style.
- 10. Thru-the-Bottom Utility Connectors:
 - a. Kit shall provide connectors to permit gas and electrical connections to be brought to the unit through the basepan.
- 11. Outdoor Air Enthalpy Sensor:
 - a. The outdoor air enthalpy sensor shall be used to provide single enthalpy control. When used in conjunction with a return air enthalpy sensor, the unit will provide differential enthalpy control. The sensor allows the unit to determine if outside air is suitable for free cooling.
- 12. Return Air Enthalpy Sensor:
 - a. The return air enthalpy sensor shall be used in conjunction with an outdoor air enthalpy sensor to provide differential enthalpy control.
- 13. Indoor Air Quality (CO₂) Sensor:
 - a. Shall be able to provide demand ventilation indoor air quality (IAQ) control.
 - b. The IAQ sensor shall be available in duct mount, wall mount, or wall mount with LED display. The set-point shall have adjustment capability.
- 14. Smoke detectors (factory-installed only):
 - a. Shall be a Four-Wire Controller and Detector.
 - b. Shall be environmental compensated with differential sensing for reliable, stable, and drift-free sensitivity.
 - c. Shall use magnet-activated test/reset sensor switches.
 - d. Shall have tool-less connection terminal access.
 - e. Shall have a recessed momentary switch for testing and resetting the detector.
 - f. Controller shall include:
 - (1.) One set of normally open alarm initiation contacts for connection to an initiating device circuit on a fire alarm control panel.
 - (2.) Two Form-C auxiliary alarm relays for interface with rooftop unit or other equipment.
 - (3.) One Form-C supervision (trouble) relay to control the operation of the Trouble LED on a remote test/reset station.
 - (4.) Capable of direct connection to two individual detector modules.
 - (5.) Can be wired to up to 14 other duct smoke detectors for multiple fan shutdown applications.
- 15. Time Guard
 - a. Shall prevent compressor short cycling by providing a 5-minute delay (± 2 minutes) before restarting a compressor after shutdown for any reason.
 - b. One device shall be required per compressor.
- 16. Electric Heat:
 - a. Heating Section
 - (1.) Heater element open coil resistance wire, nickel-chrome alloy, 0.29 inches inside diameter, strung through ceramic insulators mounted on metal frame. Coil ends are staked and welded to terminal screw slots.
 - (2.) Heater assemblies are provided with integral fusing for protection of internal heater circuits not exceeding 48 amps each. Auto reset thermo limit controls, magnetic heater contactors (24 v coil) and terminal block all mounted in electric heater control box (minimum 18 ga galvanized steel) attached to end of heater assembly.
- 17. Hinged access panels:
 - a. Shall provide easy access through integrated quarter turn latches and lift tabs.
 - b. Shall be on major panels of; filter, control box, fan motor and compressor.

