



Installation Instructions

Part Numbers: CRRFCURB053A01, CRRFCURB054A01,
CRRFCURB055A01, CRRFCURB056A01

PACKAGE USAGE

UNIT 62DA,DB,DC,DD,DE,DF	PART NUMBER	NOMINAL HEIGHT (in.)
07-20	CRRFCURB053A01	14
	CRRFCURB054A01	24
22-38	CRRFCURB055A01	14
	CRRFCURB056A01	24

PACKAGE CONTENTS

ITEM	QUANTITY
Curb Frame Sides	2
Curb Frame Ends	2
Duct Supports	3
Utility Channel	1
Equipment Supports	2
Hardware Bag	1
Gasket	1

SAFETY CONSIDERATIONS

Installation and servicing of air-conditioning equipment can be hazardous due to system pressure and electrical components. Only trained and qualified service personnel should install, repair, or service air-conditioning equipment.

Untrained personnel can perform the basic maintenance functions of replacing filters. All other operations should be performed by trained service personnel. When working on air-conditioning equipment, observe precautions in the literature, tags and labels attached to the unit, and other safety precautions that may apply.

INSTALLATION

⚠ WARNING

To prevent injuries and rain damage, do not leave roof opening uncovered. If installation is not completed immediately after roof opening is cut and framed, provide an adequate temporary cover for the roof opening.

1. Before installing roof curb, ensure that curb is located so that proper clearances are maintained. Check unit nameplate or unit installation instructions for correct clearances.
2. Cut hole in roof for duct openings. See Fig. 1 and 2 for dimensions. It is not necessary to cut out the entire area of the roof curb. If utility connections are to be made through the curb, cut out the access space near the location of the utility plate connector.

PART NO. CRRFCURB	DIMENSIONS (in.)	
	A	B
053A01	14	8 1/2
054A01	24	18 1/2

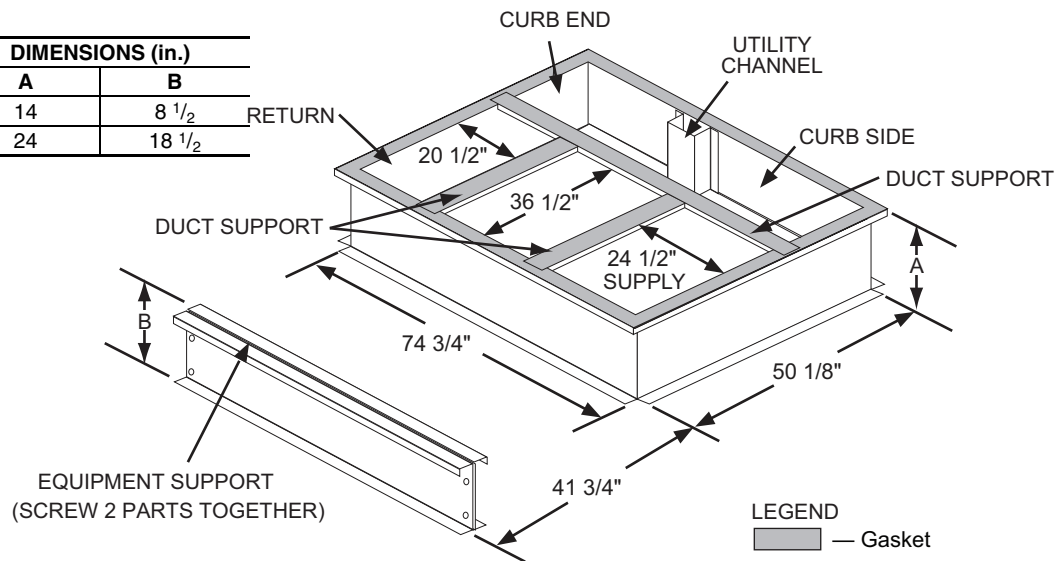


Fig. 1 — Roof Curb Details (CRRFCURB053A01 and CRRFCURB054A01)

PART NO. CRRFCURB	DIMENSIONS (in.)	
	A	B
055A01	14	8 1/2
056A01	24	18 1/2

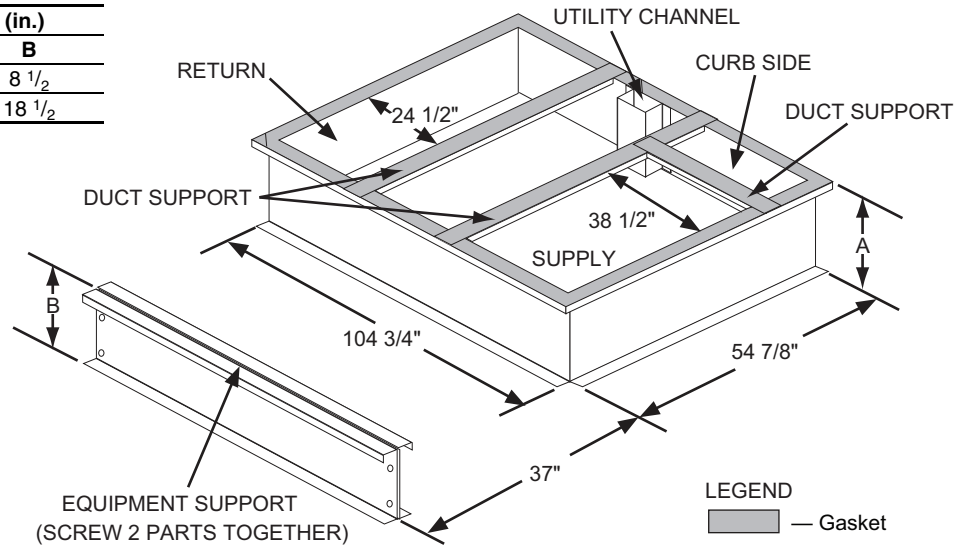


Fig. 2 — Roof Curb Details (CRRFCURB055A01 and CRRFCURB056A01)

3. Frame the roof opening to provide proper and adequate structural support.
4. Assemble the perimeter of the roof curb. Bring together a curb side and end. Insert the tabs into the slots as shown in Fig. 3. Press the pieces together so that the tab is locked into place. It may be necessary to lightly hammer or to step on side to lock the parts in place. Repeat for other curb side and ends until the outer perimeter is assembled.
5. Screw the utility channel into the curb side as shown in Fig. 1 and 2.
6. Square up the roof curb (see Fig. 4) and position over the roof opening. Level the curb to maintain leveling tolerance specified in unit instructions. Secure the roof curb to the roof structure by welding or screwing in place.
7. Install the duct supports as shown in Fig. 1 and 2.
8. Install ductwork into curb. Duct will hang from top of curb.

11. Place gasketing around outer perimeter of curb and around duct openings, as shown in Fig. 1, 2, and 5.
12. Weatherproof the roof curb, per Fig. 5 recommendations or using the specific job requirements.

CAUTION

Do not slide unit to position it when it is sitting on the curb. Curb gasketing material may be damaged and leaks may result.

FRAME IS SQUARE WHEN LENGTH FROM CORNER A TO B EQUAL TO LENGTH FROM CORNER C TO D

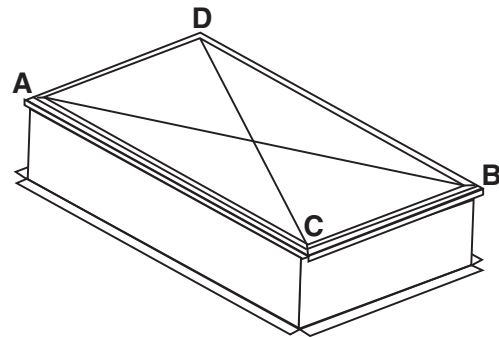


Fig. 4 — Squaring Frame

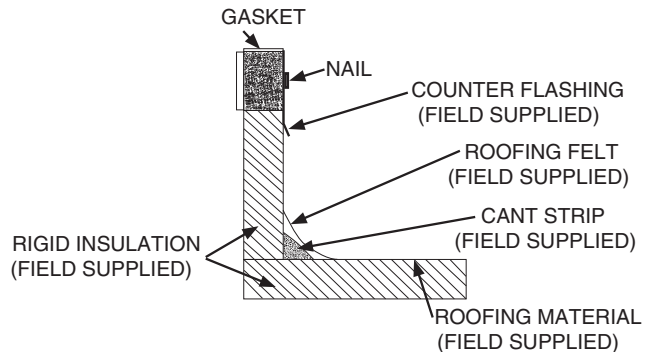


Fig. 5 — Gasket and Weatherproofing Detail

IMPORTANT: Ductwork must be installed before unit is placed on roof curb.

9. Screw the 2 equipment support frames together to form the condenser end equipment support.
10. Locate equipment support per Fig. 1 or 2 and attach to the roof structure by welding or screwing in place.

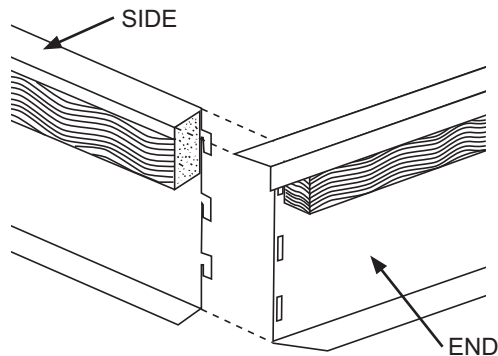


Fig. 3 — Corner Bracket Details