

CKL SERIES

60 Hz, 10 SEER

1½ TO 5 TON

SPLIT SYSTEM AIR CONDITIONER

**NOMINAL CAPACITY:
19,000 TO 60,000 BTU/H**



The CKL split system air conditioner features an attractive louvered metal guard that protects the coil from damage and strengthens the unit. Designed for ground-level or roof-top mount application, the raised base pan elevates the unit above the slab for excellent water drainage.

Standard Features

- Quiet operating top discharge
- Copper tube/aluminum fin coil
- Totally enclosed and permanently lubricated condenser motor
- Factory-installed liquid line filter dryer
- Brass suction and liquid service valve with sweat connections
- Hermetically sealed compressor with internal high-pressure relief
- Fully charged for 15' of tubing length
- Contactor with lug connections
- Ground lug connection

Cabinet Features

- Unique Goodman® sound control design
- Heavy-gauge, galvanized-steel cabinet properly reinforced and braced
- Steel louver coil guard
- Attractive architectural gray powder-paint finish with 500-hour salt spray approval
- Removable access panels

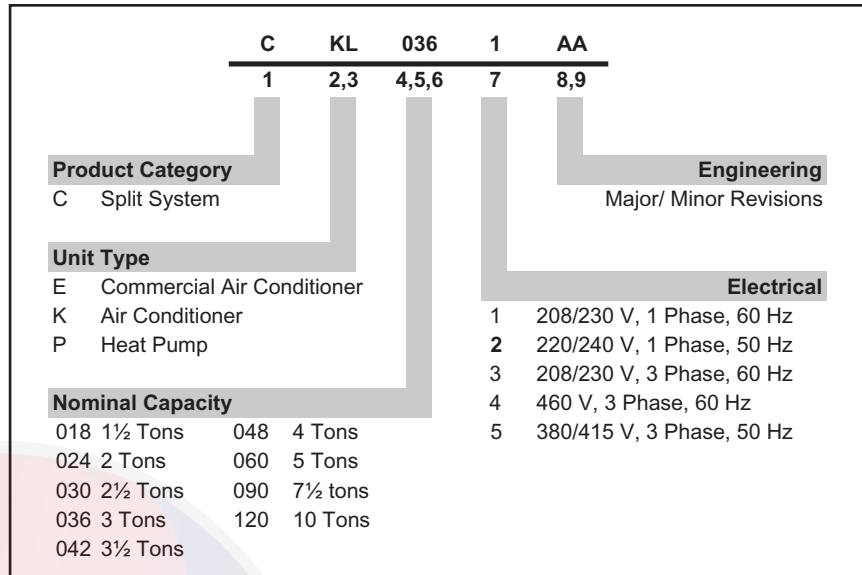
Accessories

- Standard room thermostat with 1-stage cool/1-stage heat (CHT18-60 or CHSATG)
- Digital room thermostat with 1-stage cool/1-stage heat (CH70TG)
- Cooling-only room thermostat (CT18-60)
- Outdoor Thermostat (OT18-60)
- Low Ambient Kit (LA-01)



PRODUCT SPECIFICATIONS

NOMENCLATURE



PERFORMANCE RATINGS

Model #	Coil / Air Handler	Cooling Capacity (BTU/h)					dBs
		Total	Sensible	SEER ¹	EER ²	kWI ³	
CKL18-1*	ARUF17291**	19,000	14,500	10.5	9.8	1.94	76
	CA*F1824*6*	19,400	14,800	10.5	9.8	1.98	76
CKL24-1*	ARUF17291**	24,800	16,600	10.0	9.5	2.60	78
	CA*F1824*6*	25,000	16,800	10.0	9.5	2.63	78
CKL30-1*	ARUF17291**	29,000	21,200	10.0	9.5	3.05	78
	CA*F1824*6*	29,600	21,600	10.0	9.5	3.11	78
CKL36-1*	ARUF30301**	36,000	27,800	10.0	9.5	3.79	78
	CA*F3030*6*	35,000	27,200	10.0	9.5	3.68	78
CKL42-1*	ARUF36421**	42,000	32,600	10.0	9.5	4.42	80
	CA*F3642*6*	42,000	32,600	10.0	9.5	4.43	80
CKL49-1*	ARUF48601**	46,000	34,000	10.0	9.2	5.00	80
	CA*F3642*6*	45,000	33,600	10.0	9.2	4.89	80
CKL49-3*	ARUF48601**	46,000	34,000	10.0	9.5	4.84	80
	CA*F4860*6*	46,000	34,000	10.0	9.5	4.84	80
CKL60-1*	ARUF48601**	57,000	43,000	10.0	9.0	6.33	80
	CA*F4860*6*	57,000	43,000	10.0	9.0	6.33	80
CKL60-3*	ARUF48601**	57,000	43,000	10.0	9.0	6.33	80
	CA*F4860*6*	57,000	43,000	10.0	9.0	6.33	80

¹ Seasonal Energy Efficiency Ratio

² Energy Efficiency Ratio @ 80°F / 67°F / 95°F

³ kWI = Compressor + Indoor Blower + Outdoor Fan Watts

Note:

- When mix-matching outdoor and indoor units, the indoor unit check flowrator must match the outdoor unit size.

SPECIFICATIONS

	CKL18-1	CKL24-1	CKL30-1	CKL36-1	CKL42-1	CKL49-1	CKL49-3	CKL60-1	CKL60-3
Capacities									
Nominal Cooling (BTU/h)	19,000	24,800	29,600	36,000	42,000	46,000	46,000	57,000	57,000
SEER ¹	10.0	10.0	10.0	10.0	10.0	10.0	10.0	10.0	10.0
EER ²	9.5	9.5	9.5	9.5	9.5	9.5	9.5	9.0	9.0
Decibels	76	78	78	78	78	80	80	80	80
Compressor									
RLA	8.6	9.8	13.7	14.4	17.0	18.2	12.5	17.9	7.4
LRA	49	56	75	82	105	102	61	97.4	50
Condenser Fan Motor									
Horsepower	1/6	1/4	1/4	1/4	1/4	1/4	1/4	1/4	1/4
FLA	1.1	1.5	1.5	1.5	1.5	1.5	0.9	0.9	0.8
Outdoor Nominal CFM	2,000	2,200	2,200	2,200	2,200	2,800	2,800	3,000	3,000
Rows Deep/ Fins per Inch	1/ 19	1/ 19	1/ 19	1/ 19	1/ 19	1/ 19	1/ 19	1/ 19	1/ 19
Fin Type	Rippled	Rippled	Rippled	Rippled	Rippled	Rippled	Rippled	Rippled	Rippled
Coil No. of Tubes	22	22	22	22	22	22	22	24	24
Coil Tube Diameter (in.)	0.375	0.375	0.375	0.375	0.375	0.375	0.375	0.375	0.375
Refrigeration System									
Liquid Valve Size ("O.D.)	3/8	3/8	3/8	3/8	3/8	3/8	3/8	3/8	3/8
Suction Valve Size ("O.D.)	3/4	3/4	3/4	3/4	7/8	7/8	7/8	7/8	7/8
Valve Type	Sweat	Sweat	Sweat	Sweat	Sweat	Sweat	Sweat	Sweat	Sweat
Refrigerant Charge	106	107	101	112	120	124	88	89	113
Shipped with Orifice Size	0.052	0.059	0.065	0.071	0.076	0.080	0.080	0.093	0.093
Electrical Data									
Voltage-Phase	208/230-1	208/230-1	208/230-1	208/230-1	208/230-1	208/230-1	208/230-3	208/230-1	208/230-3
Min. Circuit Ampacity ³	11.9	13.8	18.7	19.5	22.8	24.3	16.6	23.3	21.1
MOP (amps)	20	20	30	30	35	40	25	40	30
Min / Max Volts	197/253	197/253	197/253	197/253	197/253	197/253	197/253	197/253	197/253
Power Supply Conduit Size	1/2 or 3/4	1/2 or 3/4	1/2 or 3/4	1/2 or 3/4	1/2 or 3/4	1/2 or 3/4	1/2 or 3/4	1/2 or 3/4	1/2 or 3/4
Ship Weight (lbs)	175	176	179	179	184	211	211	231	231

¹ Seasonal Energy Efficiency Ratio

² Energy Efficiency Ratio

³ Wire size should be determined in accordance with National Electrical Codes. Extensive wire runs will require larger wire sizes.

⁴ Maximum Overcurrent Protection Device

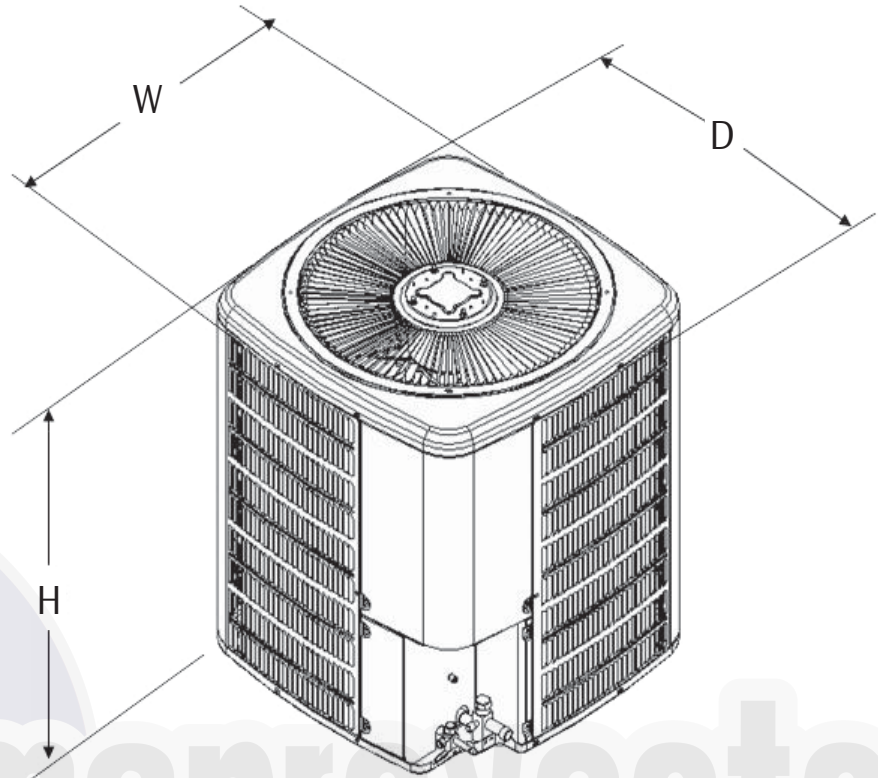
Notes:

Must use time-delay fuses or HACR-type circuit breakers of the same size as noted.

Always check the S&R plate for electrical data on the unit being installed.

PRODUCT SPECIFICATIONS

DIMENSIONS



Model	Width	Depth	Height
CKL18-1*	26"	26"	29 ³ / ₄ "
CKL24-1*	26"	26"	29 ³ / ₄ "
CKL30-1*	26"	26"	29 ³ / ₄ "
CKL36-1*	26"	26"	29 ³ / ₄ "
CKL42-1*	26"	26"	29 ³ / ₄ "
CKL49-1*	29"	29"	29 ³ / ₄ "
CKL49-3*	29"	29"	29 ³ / ₄ "
CKL60-1*	29"	29"	32 ¹ / ₄ "
CKL60-3*	29"	29"	32 ¹ / ₄ "

QUALITY MAKES THE DIFFERENCE!

All of our systems are designed and manufactured with the same high-quality standards, regardless of size or efficiency. We have designed these units to significantly reduce the most frequent causes of product failure and use quality materials and components. They are simple to service and forgiving to operate. Finally, every unit is run-tested before it leaves the factory. That's why we know... there's no better quality.

Visit our website at www.goodmanmfg.com for information on: Goodman Products • Customer Services • Parts

Goodman Manufacturing Company, L.P., reserves the right to discontinue, or change at any time, specifications or designs without notice or without incurring obligations.

©2008 Goodman Manufacturing Company, L.P. • Houston, Texas • Printed in the USA.

