



Air Conditioning & Heating



PRODUCT SPECIFICATIONS

GSC13 SERIES 13 SEER

HIGH-EFFICIENCY
SPLIT SYSTEM
AIR CONDITIONER

1½ TO 5 TON



The GSC13 Split System Air Conditioner features the unique Goodman® sound control top designed for quiet operation.

Standard Features

- Energy-efficiency compressor
- Copper tube/aluminum fin coil
- 850 RPM condenser fan motor
- R-22 refrigerant-charged for 15' of refrigerant lines
- Factory-installed liquid line filter dryer
- Brass liquid and suction service valves with sweat connections
- Contactor with lug connections
- Ground lug connection
- ETL Certified

Cabinet Features

- Unique Goodman® sound control top design
- Steel louver coil guard
- Heavy-gauge galvanized-steel cabinet
- Attractive Architectural Gray powder-paint finish with 500-hour salt-spray approval
- When properly anchored, meets the 2001 Florida Building Code unit integrity requirements for hurricane-type winds

Air Handler and Coil Compatibilities

- ARPF/ARPT, ADPF, ARUF, AEPF/AEPT — versatile upflow, horizontal or downflow air handlers; may be located in closets, utility rooms, attics, or basements
- AWUF/AWB vertical wall-mounted electric heat air handlers
- ACNF/AC ceiling-mounted electric heat air handlers
- MBR/MBE modular blower
- CA, CH, and CSCF indoor coils

Accessories

- Standard room thermostat with 1-stage cool/1-stage heat
- Digital room thermostat with 1-stage cool/1-stage heat
- Outdoor thermostat
- High- and low-pressure switch kit
- Low-pressure switch kit
- Low ambient kit



PRODUCT SPECIFICATIONS

NOMENCLATURE

G	S	C	1	3	0	3	6	1	A	A
---	---	---	---	---	---	---	---	---	---	---

Product Category
S = Split

Unit Type
C = Condenser R-22
X = Condenser R-410A
H = Heat Pump R-22
Z = Heat Pump R-410A

SEER

13 = 13 SEER
14 = 14 SEER
16 = 16 SEER
18 = 18 SEER

Nominal Capacity

018 = 1.5 tons 048 = 4 tons
024 = 2 tons 060 = 5 tons
036 = 3 tons 090 = 7.5 tons
042 = 3.5 tons 120 = 10 tons

Major Revision
A = Initial Release

Minor Revision
(not used for order entry or inventory management)

Electrical

1 = 208/230 V, 1 Phase, 60 Hz
2 = 220/240 V, 1 Phase, 50 Hz
3 = 208/230V, 3 Phase, 60 Hz
4 = 460 V, 3 Phase, 60 Hz
5 = 380/415 V, 3 Phase, 50 Hz

Brand Name

G = Goodman/Amana Distinctions
(Standard Feature Set Models)
S = Goodman (High Feature Set Models)
A = Amana

ACCESSORIES

Model	Description	GSC13 018	GSC13 024	GSC13 030	GSC13 036	GSC13 042	GSC13 048	GSC13 060
ASC01	Anti-Short Cycle Kit	X	X	X	X	X	X	X
CSR-U-1	Hard-start Kit	X	X	X	X			
CSR-U-2	Hard-start Kit				X	X	X	X
CSR-U-3	Hard-start Kit						X	X
FSK01A ¹	Freeze Protection Kit	X	X	X	X	X	X	X
OT18-60A ²	Outdoor Thermostat	X	X	X	X	X	X	X
TX3N2 ³	TXV Kit -- Field-installed, non-bleed, expansion valve kit	X	X	X	X			
TX5N2 ³	TXV Kit -- Field-installed, non-bleed, expansion valve kit					X	X	X

- 1) Installed on indoor coil
- 2) Required for heat pump applications where ambient temperatures fall below 0 °F with 50% or higher relative humidity.
- 3) Condensing units and heat pumps with reciprocating compressors require the use of start-assist components when used in conjunction with an indoor coil using a non-bleed thermal expansion valve refrigerant metering device.

SPECIFICATIONS

Data as of 3/21/06

	GSC13-0181AA	GSC13-0241A	GSC13-0241C	GSC13-0301A	GSC13-0301B	GSC13-0361AA	GSC13-0361BA
Cooling Capacities							
Nominal Cooling (BTU/h)	18,000	24000	24,000	30,000	30,000	36,000	36,000
Compressor							
RLA	6.2	7.7	10.4	9.7	9.7	12.2	13.4
LRA	35.0	40.0	54.0	49.0	49.0	73.0	73.0
Condenser Fan Motor							
Horsepower	1/6						
FLA	1.5						
Refrigeration System							
Liquid Valve Size ("O.D.)	3/8"						
Suction Valve Size ("O.D.)	3/4"						
Valve Type	Sweat						
Refrigerant Charge	95	99	102	123	118	125	125
Shipped with Orifice Size	0.055	0.059	0.059	0.065	0.065	0.074	0.071
Electrical Data							
AC Volts	208/230						
Hz / Phase	60 Hz/1						
Min. Circuit Ampacity ¹	9.3	11.2	14.6	13.6	13.6	16.8	18.3
Max. Overcurrent Device ²	15	15	20	20	20	20	30
Min / Max Volts	197/253						
Electrical Conduit Size	1/2" or 3/4"						
Ship Weight (lbs)	173	195	182	195	195	199	205

1) Wire size should be determined in accordance with National Electrical Codes; extensive wire runs will require larger wire sizes

2) May use fuses or HACR-type circuit breakers of the same size as noted

PRODUCT SPECIFICATIONS

SPECIFICATIONS (CONT.)

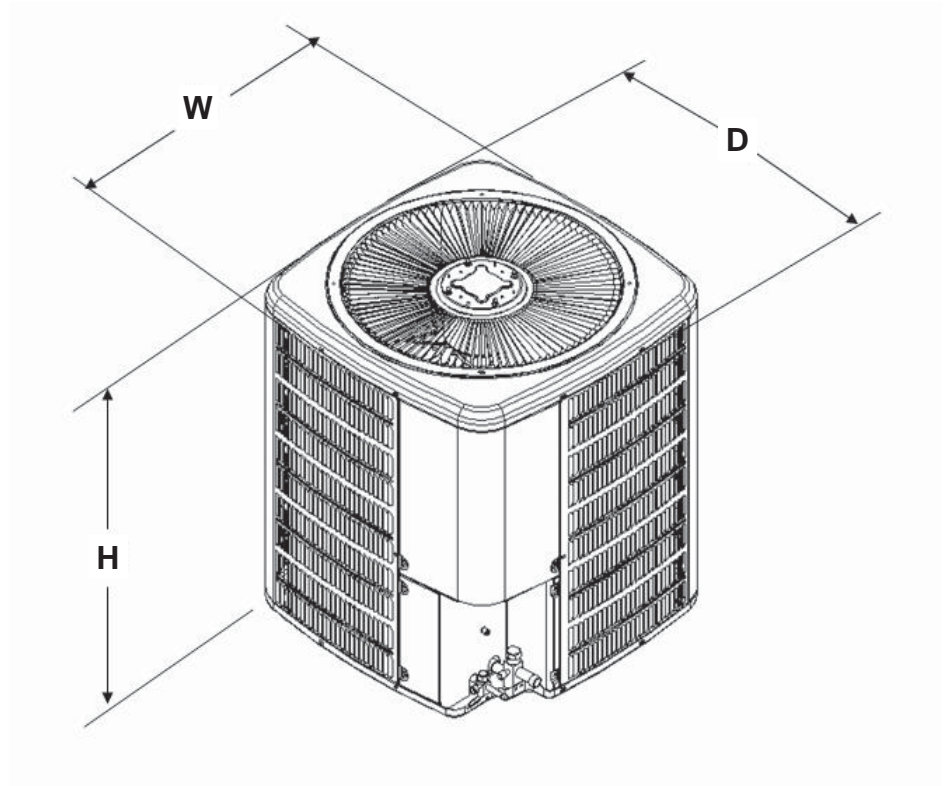
Data as of 3/21/06

	GSC13-0363A	GSC13-0421AA	GSC13-0481AA	GSC13-0483A	GSC13-0484AA	GSC13-0601B	GSC13-0603A	GSC13-0604A
Cooling Capacities								
Nominal Cooling (BTU/h)	36,000	42,000	48,000	48,000	48,000	57,000	57,000	57,000
Compressor								
RLA	9.0	14.7	17.9	12.4	5.8	24.3	17.3	6.7
LRA	65.5	77.0	104.0	88.0	44.0	148.0	123.0	49.5
Condenser Fan Motor								
Horsepower	1/6	1/4				1/6		
FLA	1.5	1.6			0.8	1.1		0.6
Refrigeration System								
Liquid Valve Size ("O.D.)	3/8"							
Suction Valve Size ("O.D.)	3/4"	7/8"						
Valve Type	Sweat							
Refrigerant Charge	125	143	158	158	158	175	175	175
Shipped with Orifice Size	0.074	0.078	0.082	0.082	0.082	0.093	0.093	0.093
Electrical Data								
AC Volts	208/230			208/230	460	208/230	208/230	460
Hz / Phase	60 Hz/3	60 Hz/1		60 Hz/3		60 Hz/1	60 Hz/3	
Min. Circuit Ampacity ¹	12.7	20	24	17.2	8.0	31.5	22.7	9.0
Max. Overcurrent Device ²	20	30	40	20	15	50	40	15
Min / Max Volts	197/253				414/506	197/253		414/506
Electrical Conduit Size	1/2" or 3/4"							
Ship Weight (lbs)	198	199	207	207	207	242	242	242

1) Wire size should be determined in accordance with National Electrical Codes; extensive wire runs will require larger wire sizes

2) May use fuses or HACR-type circuit breakers of the same size as noted

DIMENSIONS



Model	Dimensions W x D x H
GSC130181AA	26 x 26 x 29 3/4
GSC130241A	26 x 26 x 34 3/4
GSC130241C	26 x 26 x 34 3/4
GSC130301A	26 x 26 x 34 3/4
GSC130301B	29 x 29 x 34 3/4
GSC130361AA	29 x 29 x 34 1/4
GSC130361BA	29 x 29 x 34 1/4
GSC130363A	29 x 29 x 34 1/4
GSC130421AA	29 x 29 x 34 1/4
GSC130481AA	29 x 29 x 38 1/4
GSC130483A	29 x 29 x 38 1/4
GSC130484AA	29 x 29 x 38 1/4
GSC130601B	35.5 x 35.5 x 38 1/4
GSC130603A	35.5 x 35.5 x 38 1/4
GSC130604A	35.5 x 35.5 x 38 1/4

PRODUCT SPECIFICATIONS

PERFORMANCE RATINGS

Condenser	Indoor Model	Total BTU/h	Sensible BTU/h	SEER	EER	ARI #	dBs
GSC130181A*	AC18-XX	18,000	12,800	13	11.5	728986	78
	ACNF018-XX1A*	18,000	12,800	13	11.5	728989	
	ADPF018241A*	19,000	13,500	13	11.5	734454	
	AEPF18301A*	19,000	13,500	14	12.2	734461	
	AEPT030-00*-1*	19,000	13,500	14	12.2	734428	
	ARPF036-00B-1*	19,000	13,500	13	11.5	734445	
	ARPF18241A*	19,000	13,500	13	11.5	734443	
	ARPT032-00*-1*	19,000	13,500	13	11.5	734466	
	ARUF032-00*-1*	19,000	13,500	13	11.5	734435	
	ARUF18241A*	19,000	13,500	13	11.5	734444	
	AWB24-XX	18,000	12,800	13	11.5	728988	
	AWUF18XX1A*	18,000	12,800	13	11.5	728987	
	CA*F030*2*+EEP	19,000	13,500	13	11.5	734419	
	CA*F030*2*+G*V80704B**	19,000	13,500	14	12.2	734458	
	CA*F030*2*+G*V90704C**	19,000	13,500	14	12.2	734433	
	CA*F030*2*+G*V950453B**	19,000	13,500	14	12.2	734421	
	CA*F030*2*+MBE1200	19,000	13,500	14	12.2	734423	
	CA*F1824*6A*+EEP	19,000	13,500	13	11.5	734464	
	CA*F1824*6A*+G*V80704B**	19,000	13,500	14	12.2	734425	
	CA*F1824*6A*+G*V90704C**	19,000	13,500	14	12.2	734462	
	CA*F1824*6A*+G*V950453B**	19,000	13,500	14	12.2	734460	
	CA*F1824*6A*+G*V950704C**	19,000	13,500	14	12.2	734451	
	CA*F1824*6A+MBE1200	19,000	13,500	14	12.2	734447	
	CA*F3030*6A*+G*V950704C**	19,000	13,500	14	12.2	734456	
	CHPF030A2*+EEP	19,000	13,500	13	11.5	734465	
	CHPF042B2*+G*V80704B**	19,600	13,500	14	12.2	734427	
	CHPF042B2*+G*V90704C**	19,600	13,500	14	12.2	734420	
	CHPF042B2*+G*V950453B**	19,600	13,500	14	12.2	734437	
	CHPF1824A6A*+EEP	19,000	13,500	13	11.5	734429	
	CHPF2430B6A*+G*V80704B**	19,600	13,500	14	12.2	734439	
	CHPF2430B6A*+G*V90704C**	19,600	13,500	14	12.2	734432	
	CHPF2430B6A*+G*V950453B**	19,600	13,500	14	12.2	736261	
	CSCF1824N6A*+EEP	19,000	13,500	13	11.5	734440	
	CSCF1824N6A*+G*V80704B**	19,000	13,500	14	12.2	734441	
CSCF1824N6A*+G*V90704C**	19,000	13,500	14	12.2	734457		
CSCF1824N6A*+G*V950453B**	19,000	13,500	14	12.2	736247		
H36F+EEP	19,000	13,500	13	11.5	734422		
H36F+G*V80704B**	19,000	13,500	14	12.2	734430		
H36F+G*V90704C**	19,000	13,500	14	12.2	734448		
H36F+G*V950453B**	19,000	13,500	14	12.2	734424		
GSC130241C*	AC30-XX	23,000	16,400	13	11.5	734463	78
	ACNF24XX1A*	23,000	16,400	13	11.5	734459	
	ADPF018241A*	23,000	16,400	13	11.5	734446	
	AEPF18301A*	23,800	17,000	14	11.5	734436	
	AEPT030-00*-1*	23,800	17,000	14	12.2	734426	
	ARPF036-00B-1*	23,000	16,400	13	11.5	734431	
	ARPF18241A*	23,000	16,400	13	11.5	734438	
	ARPT032-00*-1*	23,000	16,400	13	11.5	734450	
	ARUF032-00*-1*	23,000	16,400	13	11.5	734442	
	ARUF18241A*	23,000	16,400	13	11.5	734434	
	AWB24-XX	23,000	16,400	13	11.5	734452	
	AWUF24XX1A*	23,000	16,400	13	11.5	734455	
	CA*F030*2*+EEP	23,000	16,400	13	11.5	734449	
	CA*F030*2*+G*V80704B**	23,000	16,400	14	12.2	734664	
	CA*F030*2*+G*V90704C**	23,000	16,400	14	12.2	734803	

PERFORMANCE RATINGS (CONT.)

Condenser	Indoor Model	Total BTU/h	Sensible BTU/h	SEER	EER	ARI #	dBs
GSC130241C* (cont.)	CA*F030*2*+G*V950453B**	23,000	16,400	14	12.2	734884	78
	CA*F030*2*+G*V950704C**	23,000	16,400	14	12.2	734821	
	CA*F030*2*+MBE1200	23,000	16,400	14	12.2	734802	
	CA*F1824*6A*+EEP	23,000	16,400	13	11.5	734453	
	CA*F1824*6A*+G*V80704B**	23,000	16,400	14	12.2	734742	
	CA*F1824*6A*+G*V90704C**	23,000	16,400	14	12.2	734806	
	CA*F1824*6A*+G*V950453B**	23,000	16,400	14	12.2	734660	
	CA*F1824*6A*+G*V950704C**	23,000	16,400	14	12.2	734848	
	CA*F1824*6A+MBE1200	23,000	16,400	14	12.2	734705	
	CHPF030A2*+EEP	23,000	16,400	13	11.5	734736	
	CHPF042B2*+G*V80704B**	23,800	17,000	14	12.2	734841	
	CHPF042B2*+G*V90704C**	23,800	17,000	14	12.2	734657	
	CHPF042B2*+G*V950453B**	23,800	17,000	14	12.2	734894	
	CHPF1824A6A*+EEP	23,000	16,400	13	11.5	734744	
	CHPF2430B6A*+G*V80704B**	23,800	17,000	14	12.2	734836	
	CHPF2430B6A*+G*V90704C**	23,800	17,000	14	12.2	734773	
	CHPF2430B6A*+G*V950453B**	23,800	17,000	14	12.2	734656	
	CSCF1824N6A*+EEP	23,000	16,400	13	11.5	734692	
	CSCF1824N6A*+G*V80704B**	23,000	16,400	14	12.2	734818	
	CSCF1824N6A*+G*V90704C**	23,000	16,400	14	12.2	734775	
CSCF1824N6A*+G*V950453B**	23,000	16,400	14	12.2	734823		
H36F+EEP	23,000	16,400	13	11.5	734691		
H36F+G*V80704B**	23,000	16,400	14	12.2	734840		
H36F+G*V90704C**	23,000	16,400	14	12.2	734767		
H36F+G*V950453B**	23,000	16,400	14	12.2	734880		
GSC130301A*	AC36-XX	28,000	20,500	13	11.5	734698	78
	ACNF30XX1A*	28,000	20,500	13	11.5	734815	
	ADPF30421A*	29,000	21,500	13	11.5	734826	
	AEPF18301A*	29,000	21,500	14	12.2	734732	
	AEPT030-00*-1*	29,000	21,500	14	12.2	734714	
	ARPF048-00B-1*	29,000	21,500	13	11.5	734798	
	ARPF30301A*	29,000	21,500	13	11.5	734886	
	ARPT042-00*-1*	29,000	21,500	13	11.5	734879	
	ARUF042-00*-1*	29,000	21,500	13	11.5	734889	
	ARUF30301A*	29,000	21,500	13	11.5	734784	
	AWB36-XX	28,000	20,500	13	11.5	734873	
	AWUF36XX1A*	28,000	20,500	13	11.5	734875	
	CA*F037*2*+EEP	29,000	21,500	13	11.5	734718	
	CA*F037*2*+G*V80704B**	29,000	21,500	14	12.2	734672	
	CA*F037*2*+G*V90704C**	29,000	21,500	14	12.2	734651	
	CA*F037*2*+G*V950453B**	29,000	21,500	14	12.2	734774	
	CA*F037*2*+G*V950704C**	29,000	21,500	14	12.2	734902	
	CA*F037*2*+MBE1200	29,000	21,500	14	12.2	734687	
	CA*F3030*6A*+EEP	29,000	21,500	13	11.5	734671	
	CA*F3030*6A*+G*V80704B**	29,000	21,500	14	12.2	734807	
	CA*F3030*6A*+G*V90704C**	29,000	21,500	14	12.2	736252	
	CA*F3030*6A*+G*V950453B**	29,000	21,500	14	12.2	734781	
	CA*F3030*6A*+G*V950704C**	29,000	21,500	14	12.2	734724	
	CA*F3030*6A*+MBE1200	29,000	21,500	14	12.2	734816	
	CHPF042B2*+EEP	29,000	21,500	13	11.5	734727	
	CHPF042B2*+G*V80704B**	29,400	21,800	14	12.2	734801	
	CHPF042B2*+G*V90704C**	29,400	21,800	14	12.2	734748	
	CHPF042B2*+G*V950453B**	29,400	21,800	14	12.2	734726	
	CHPF2430B6A*+EEP	29,000	21,500	13	11.5	734900	
	CHPF2430B6A*+G*V80704B**	29,400	21,800	14	12.2	734888	
CHPF2430B6A*+G*V90704C**	29,400	21,800	14	12.2	734865		

PRODUCT SPECIFICATIONS

PERFORMANCE RATINGS (CONT.)

Condenser	Indoor Model	Total BTU/h	Sensible BTU/h	SEER	EER	ARI #	dBs
GSC130301A* (cont.)	CHPF2430B6A*+G*V950453B**	29,400	21,800	14	12.2	734666	78
	CSCF3036N6A*+EEP	29,000	21,500	13	11.5	734814	
	CSCF3036N6A*+G*V80704B**	29,000	21,500	14	12.2	734809	
	CSCF3036N6A*+G*V90704C**	29,000	21,500	14	12.2	734728	
	CSCF3036N6A*+G*V950453B**	29,000	21,500	14	12.2	734794	
	H49F+EEP	29,000	21,500	13	11.5	734795	
	H49F+G*V80704B**	29,000	21,500	14	12.2	734746	
	H49F+G*V90704C**	29,000	21,500	14	12.2	734837	
	H49F+G*V950453B**	29,000	21,500	14	12.2	734761	
GSC130361A*	ADPF30421A*	35,000	25,400	13	11.5	734661	80
	AEPF30361A*	35,000	25,400	14	12.2	734747	
	AEPT036-00*-1*	35,000	25,400	14	12.2	734717	
	ARPF048-00B-1*	35,000	25,400	13	11.5	734704	
	ARPF36421A*	35,000	25,400	13	11.5	734842	
	ARPT049-00*-1*	35,000	25,400	13	11.5	734693	
	AWB36-XX	33,600	24,400	13	11.5	734730	
	AWUF36XX1A*	33,600	24,400	13	11.5	734799	
	CA*F048*2*+EEP	35,000	25,400	13	11.5	734668	
	CA*F048*2*+G*V80704B**	35,000	25,400	14	12.2	734680	
	CA*F048*2*+G*V80905C**	35,000	25,400	14	12.2	734787	
	CA*F048*2*+G*V90905D**	35,000	25,400	14	12.2	734819	
	CA*F048*2*+G*V950905D**	35,000	25,400	14	12.2	734760	
	CA*F048*2*+G*V951155D**	35,000	25,400	14	12.2	734856	
	CA*F048*2*+MBE1600	35,000	25,400	14	12.2	734739	
	CA*F3636*6A*+EEP	35,000	25,400	13	11.5	734824	
	CA*F3636*6A*+G*V80704B**	35,000	25,400	14	12.2	734722	
	CA*F3636*6A*+G*V80905C**	35,000	25,400	14	12.2	734891	
	CA*F3636*6A*+G*V90905D**	35,000	25,400	14	12.2	734762	
	CA*F3636*6A*+G*V950905D**	35,000	25,400	14	12.2	734876	
	CA*F3636*6A*+G*V951155D**	35,000	25,400	14	12.2	734690	
	CA*F3636*6A*+MBE1600	35,000	25,400	14	12.2	734846	
	CHPF048D2*+EEP	35,000	25,400	13	11.5	734831	
	CHPF048D2*+G*V80704B**	35,000	25,400	14	12.2	734887	
	CHPF048D2*+G*V80905C**	35,000	25,400	14	12.2	734667	
	CHPF048D2*+G*V90905D**	35,000	25,400	14	12.2	734893	
	CHPF048D2*+G*V950905D**	35,000	25,400	14	12.2	734697	
	CHPF048D2*+G*V951155D**	35,000	25,400	14	12.2	734851	
	CHPF3642C6A*+EEP	35,000	25,400	13	11.5	734689	
	CHPF3642D6A*+EEP	35,000	25,400	13	11.5	735963	
	CHPF3642D6A*+G*V80704B**	35,000	25,400	14	12.2	734829	
	CHPF3642D6A*+G*V80905C**	35,000	25,400	14	12.2	734751	
	CHPF3642D6A*+G*V90905D**	35,000	25,400	14	12.2	734653	
	CHPF3642D6A*+G*V950905D**	35,000	25,400	14	12.2	734782	
	CHPF3642D6A*+G*V951155D**	35,000	25,400	14	12.2	734810	
	CSCF3036N6A*+EEP	35,000	25,400	13	11.5	734768	
	CSCF3036N6A*+G*V80704B**	35,000	25,400	14	12.2	734678	
	CSCF3036N6A*+G*V80905C**	35,000	25,400	14	12.2	734786	
	CSCF3036N6A*+G*V90905D**	35,000	25,400	14	12.2	734675	
	CSCF3036N6A*+G*V950905D**	35,000	25,400	14	12.2	734812	
	CSCF3036N6A*+G*V951155D**	35,000	25,400	14	12.2	734779	
	H49F+EEP	35,000	25,400	13	11.5	734758	
	H49F+G*V80704B**	35,000	25,400	14	12.2	734898	
	H49F+G*V80905C**	35,000	25,400	14	12.2	734870	
	H49F+G*V90905D**	35,000	25,400	14	12.2	734883	
	H49F+G*V950905D**	35,000	25,400	14	12.2	734855	
	H49F+G*V951155D**	35,000	25,400	14	12.2	734850	

PERFORMANCE RATINGS (CONT.)

Condenser	Indoor Model	Total BTU/h	Sensible BTU/h	SEER	EER	ARI #	dBs
GSC130361B*	ADPF30421A*	35,000	25,400	13	11.5	736231	80
	AEPF30361A*	35,000	25,400	14	12.2	736222	
	AEPT036-00*-1*	35,000	25,400	14	12.2	736243	
	ARPF048-00B-1*	35,000	25,400	13	11.5	736258	
	ARPF36421A*	35,000	25,400	13	11.5	736239	
	ARPT049-00*-1*	35,000	25,400	13	11.5	736237	
	AWB36-XX	33,600	24,400	13	11.5	736249	
	AWUF36XX1A*	33,600	24,400	13	11.5	736264	
	CA*F048*2*+EEP	35,000	25,400	13	11.5	735131	
	CA*F048*2*+G*V80704B**	35,000	25,400	14	12.2	736230	
	CA*F048*2*+G*V80905C**	35,000	25,400	14	12.2	736241	
	CA*F048*2*+G*V90905D**	35,000	25,400	14	12.2	736248	
	CA*F048*2*+G*V950905D**	35,000	25,400	14	12.2	736250	
	CA*F048*2*+G*V951155D**	35,000	25,400	14	12.2	736235	
	CA*F048*2*+MBE1600	35,000	25,400	14	12.2	736254	
	CA*F3636*6A*+EEP	35,000	25,400	13	11.5	735128	
	CA*F3636*6A*+G*V80704B**	35,000	25,400	14	12.2	736245	
	CA*F3636*6A*+G*V80905C**	35,000	25,400	14	12.2	736225	
	CA*F3636*6A*+G*V90905D**	35,000	25,400	14	12.2	736232	
	CA*F3636*6A*+G*V950905D**	35,000	25,400	14	12.2	736246	
	CA*F3636*6A*+G*V951155D**	35,000	25,400	14	12.2	736253	
	CA*F3636*6A*+MBE1600	35,000	25,400	14	12.2	736238	
	CHPF048D2*+EEP	35,000	25,400	13	11.5	735134	
	CHPF048D2*+G*V80704B**	35,000	25,400	14	12.2	736255	
	CHPF048D2*+G*V80905C**	35,000	25,400	14	12.2	736263	
	CHPF048D2*+G*V90905D**	35,000	25,400	14	12.2	736233	
	CHPF048D2*+G*V950905D**	35,000	25,400	14	12.2	736226	
	CHPF048D2*+G*V951155D**	35,000	25,400	14	12.2	736234	
	CHPF3642C6A*+EEP	35,000	25,400	13	11.5	735183	
	CHPF3642D6A*+EEP	35,000	25,400	13	11.5	735967	
	CHPF3642D6A*+G*V80704B**	35,000	25,400	14	12.2	736227	
	CHPF3642D6A*+G*V80905C**	35,000	25,400	14	12.2	736242	
	CHPF3642D6A*+G*V90905D**	35,000	25,400	14	12.2	736257	
	CHPF3642D6A*+G*V950905D**	35,000	25,400	14	12.2	736262	
	CHPF3642D6A*+G*V951155D**	35,000	25,400	14	12.2	736236	
	CSCF3036N6A*+EEP	35,000	25,400	13	11.5	735205	
	CSCF3036N6A*+G*V80704B**	35,000	25,400	14	12.2	736224	
	CSCF3036N6A*+G*V80905C**	35,000	25,400	14	12.2	736240	
	CSCF3036N6A*+G*V90905D**	35,000	25,400	14	12.2	736259	
	CSCF3036N6A*+G*V950905D**	35,000	25,400	14	12.2	736228	
	CSCF3036N6A*+G*V951155D**	35,000	25,400	14	12.2	736223	
	H49F+EEP	35,000	25,400	13	11.5	735965	
H49F+G*V80704B**	35,000	25,400	14	12.2	736260		
H49F+G*V80905C**	35,000	25,400	14	12.2	736229		
H49F+G*V90905D**	35,000	25,400	14	12.2	736256		
H49F+G*V950905D**	35,000	25,400	14	12.2	736251		
H49F+G*V951155D**	35,000	25,400	14	12.2	736244		
GSC130363A*	ADPF30421A*	35,000	25,400	13	11.5	735061	80
	AEPF30361A*	35,000	25,400	14	12.2	735042	
	AEPT036-00*-1*	35,000	25,400	14	12.2	735118	
	ARPF048-00B-1*	35,000	25,400	13	11.5	735048	
	ARPF36421A*	35,000	25,400	13	11.5	735038	
	ARPT049-00*-1*	35,000	25,400	13	11.5	735181	
	CA*F048*2*+EEP	35,000	25,400	13	11.5	735113	
	CA*F3636*6A*+EEP	35,000	25,400	13	11.5	735184	
	CHPF048D2*+EEP	35,000	25,400	13	11.5	735064	

PRODUCT SPECIFICATIONS

PERFORMANCE RATINGS (CONT.)

Condenser	Indoor Model	Total BTU/h	Sensible BTU/h	SEER	EER	ARI #	dBs
GSC130363A* (cont.)	CHPF3642C6A*+EEP	35,000	25,400	13	11.5	735126	80
	CHPF3642D6A*+EEP	35,000	25,400	13	11.5	735966	
	CSCF3036N6A*+EEP	35,000	25,400	13	11.5	735236	
	H49F+EEP	35,000	25,400	13	11.5	735111	
GSC130421A*	ADPF30421A*	40,500	30,800	13	11.5	734788	76
	AEPF42601A*	41,000	30,800	14	12.2	734878	
	AEPT060-00*-1*	41,000	30,800	14	12.2	734783	
	ARPF048-00B-1*	40,500	30,400	13	11.5	734861	
	ARPF36421A*	40,500	30,400	13	11.5	734843	
	ARPT049-00*-1*	40,500	30,400	13	11.5	734833	
	ARUF049-00*-1*	40,500	30,400	13	11.5	734650	
	ARUF36421A*	40,500	30,400	13	11.5	734857	
	CA*F060*2*+EEP	40,500	30,400	13	11.5	734676	
	CA*F060*2*+MBE1600	40,500	30,400	14	12.2	734897	
	CA*F061*2*+G*V80905C**	41,500	31,000	14	12.2	734670	
	CA*F061*2*+G*V81155C**	41,500	31,000	14	12.2	734681	
	CA*F061*2*+G*V90905D**	41,500	31,000	13.5	11.8	734679	
	CA*F061*2*+G*V950905D**	41,500	31,000	13.5	11.8	734753	
	CA*F061*2*+G*V951155D**	41,500	31,000	13.5	11.8	734776	
	CA*F3642*6A*+EEP	40,500	30,400	13	11.5	734694	
	CA*F3642*6A*+MBE1600	40,500	30,400	14	12.2	734702	
	CA*F4860*6A*+G*V80905C**	41,500	31,000	14	12.2	734896	
	CA*F4860*6A*+G*V81155C**	41,500	31,000	14	12.2	734789	
	CA*F4860*6A*+G*V90905D**	41,500	31,000	13.5	11.8	734665	
	CA*F4860*6A*+G*V950905D**	41,500	31,000	13.5	11.8	734811	
	CA*F4860*6A*+G*V951155D**	41,500	31,000	13.5	11.8	734864	
	CHPF048D2*+EEP	40,500	30,400	13	11.5	734740	
	CHPF060D2*+G*V81155C**	41,500	31,000	14	12.2	734868	
	CHPF060D2*+G*V90905D**	41,500	31,000	13.5	11.8	734862	
	CHPF060D2*+G*V951155D**	41,500	31,000	13.5	11.8	734677	
	CHPF3642C6A*+EEP	40,500	30,400	13	11.5	734725	
	CHPF3642D6A*+EEP	40,500	30,400	13	11.5	734682	
	CHPF4860*6A*+G*V81155C**	41,500	31,000	14	12.2	734652	
	CHPF4860*6A*+G*V90905D**	41,500	31,000	13.5	11.8	734838	
	CHPF4860*6A*+G*V951155D**	41,500	31,000	13.5	11.8	734759	
	CSCF3642N6A*+EEP	41,500	31,000	13	11.5	734769	
	CSCF4860N6A*+G*V81155C**	41,500	31,000	14	12.2	734800	
	CSCF4860N6A*+G*V90905D**	41,500	31,000	13.5	11.8	734763	
CSCF4860N6A*+G*V951155D**	41,500	31,000	13.5	11.8	734749		
H60F+EEP	41,500	31,000	13	11.5	734872		
H61F+G*V81155C**	41,500	31,000	14	12.2	734684		
H61F+G*V90905D**	41,500	31,000	13.5	11.8	734771		
H61F+G*V951155D**	41,500	31,000	13.5	11.8	734683		
GSC130481A*	ADPF48601A*	45,500	33,800	13	11.5	734791	76
	AEPF42601A*	45,500	33,800	14	12.2	734696	
	AEPT060-00*-1*	45,500	33,800	14	12.2	734757	
	ARPF060-00B-1*	45,500	33,800	13	11.5	734756	
	ARPF48601A*	45,500	33,800	13	11.5	734813	
	ARPT061-00*-1*	45,500	33,800	13	11.5	734853	
	ARUF061-00*-1*	45,500	33,800	13	11.5	734703	
	ARUF48601A*	45,500	33,800	13	11.5	734772	
	CA*F061*2*+EEP	45,500	33,800	13	11.5	734699	
	CA*F061*2*+G*V80905C**	45,500	33,800	13.5	11.8	734854	
	CA*F061*2*+G*V81155C**	45,500	33,800	13.5	11.8	734881	
	CA*F061*2*+G*V90905D**	45,500	33,800	13.5	11.8	734719	
	CA*F061*2*+G*V950905D**	45,500	33,800	13.5	11.8	734734	

PERFORMANCE RATINGS (CONT.)

Condenser	Indoor Model	Total BTU/h	Sensible BTU/h	SEER	EER	ARI #	dBs
GSC130481A* (cont.)	CA*F061*2*+G*V951155D**	45,500	33,800	13.5	11.8	734720	76
	CA*F061*2*+MBE2000	45,500	33,800	14	12.2	734712	
	CA*F4860*6A*+EEP	45,500	33,800	13	11.5	734828	
	CA*F4860*6A*+G*V80905C**	45,500	33,800	13.5	11.8	734663	
	CA*F4860*6A*+G*V81155C**	45,500	33,800	13.5	11.8	734750	
	CA*F4860*6A*+G*V90905D**	45,500	33,800	13.5	11.8	734733	
	CA*F4860*6A*+G*V950905D**	45,500	33,800	13.5	11.8	734822	
	CA*F4860*6A*+G*V951155D**	45,500	33,800	13.5	11.8	734796	
	CA*F4860*6A*+MBE2000	45,500	33,800	14	12.2	734729	
	CHPF060D2*+EEP	45,500	33,800	13	11.5	734825	
	CHPF060D2*+G*V80905C**	45,500	33,800	13.5	11.8	734669	
	CHPF060D2*+G*V81155C**	45,500	33,800	13.5	11.8	734808	
	CHPF060D2*+G*V90905D**	45,500	33,800	13.5	11.8	734899	
	CHPF060D2*+G*V950905D**	45,500	33,800	13.5	11.8	734839	
	CHPF4860*6A*+G*V80905C**	45,500	33,800	13.5	11.8	734688	
	CHPF4860*6A*+G*V81155C**	45,500	33,800	13.5	11.8	734869	
	CHPF4860*6A*+G*V90905D**	45,500	33,800	13.5	11.8	734713	
	CHPF4860*6A*+G*V950905D**	45,500	33,800	13.5	11.8	734708	
	CHPF4860D6A*+EEP	45,500	33,800	13	11.5	734877	
	CSCF4860N6A*+EEP	45,500	33,800	13	11.5	734885	
	CSCF4860N6A*+G*V80905C**	45,500	33,800	13.5	11.8	734780	
	CSCF4860N6A*+G*V81155C**	45,500	33,800	13.5	11.8	734778	
	CSCF4860N6A*+G*V90905D**	45,500	33,800	13.5	11.8	734716	
	CSCF4860N6A*+G*V950905D**	45,500	33,800	13.5	11.8	734655	
	CSCF4860N6A*+G*V951155D**	45,500	33,800	13.5	11.8	734721	
	H61F+EEP	45,500	33,800	13	11.5	734735	
	H61F+G*V80905C**	45,500	33,800	13.5	11.8	734792	
	H61F+G*V81155C**	45,500	33,800	13.5	11.8	734715	
	H61F+G*V90905D**	45,500	33,800	13.5	11.8	734797	
	H61F+G*V950905D**	45,500	33,800	13.5	11.8	734834	
	H61F+G*V951155D**	45,500	33,800	13.5	11.8	734777	
	GSC130483/4A*	ADPF48601A*	45,500	33,800	13	11.5	
AEPF42601A*		45,500	33,800	14	12.2	735125	
AEPT060-00*-1*		45,500	33,800	14	12.2	735116	
ARPF060-00B-1*		45,500	33,800	13	11.5	735081	
ARPF48601A*		45,500	33,800	13	11.5	735074	
ARPT061-00*-1*		45,500	33,800	13	11.5	735196	
ARUF061-00*-1*		45,500	33,800	13	11.5	735121	
ARUF48601A*		45,500	33,800	13	11.5	735123	
CA*F061*2*+EEP		45,500	33,800	13	11.5	735099	
CA*F4860*6A*+EEP		45,500	33,800	13	11.5	735050	
CHPF060D2*+EEP		45,500	33,800	13	11.5	735047	
CHPF4860D6A*+EEP		45,500	33,800	13	11.5	735049	
CSCF4860N6A*+EEP		45,500	33,800	13	11.5	735157	
H61F+EEP		45,500	33,800	13	11.5	735156	
GSC130601B*	ADPF48601A*	57,000	41,200	13	11.5	734731	77
	AEPF42601A*	57,000	41,200	13.5	11.9	734754	
	AEPT060-00*-1*	57,000	41,200	13.5	11.9	734686	
	ARPF060-00B-1*	57,000	41,200	13	11.5	734901	
	ARPF48601A*	57,000	41,200	13	11.5	734820	
	ARPT061-00*-1*	57,000	41,200	13	11.5	734745	
	ARUF061-00*-1*	57,000	41,200	13	11.5	734723	
	ARUF48601A*	57,000	41,200	13	11.5	734858	
	CA*F061*2*+EEP	57,000	41,200	13	11.5	734866	
	CA*F061*2*+G*V80905C**	57,000	41,200	13.3	11.7	734673	
	CA*F061*2*+G*V81155C**	57,000	41,200	13.3	11.7	734852	
	CA*F061*2*+G*V90905D**	57,000	41,200	13.3	11.7	734874	

PRODUCT SPECIFICATIONS

PERFORMANCE RATINGS (CONT.)

Condenser	Indoor Model	Total BTU/h	Sensible BTU/h	SEER	EER	ARI #	dBs
GSC130601B* (cont.)	CA*F061*2*+MBE2000	57,000	41,200	13.5	11.8	734849	77
	CA*F4860*6A*+EEP	57,000	41,200	13	11.5	734741	
	CA*F4860*6A*+G*V80905C**	57,000	41,200	13.3	11.7	734755	
	CA*F4860*6A*+G*V81155C**	57,000	41,200	13.3	11.7	734710	
	CA*F4860*6A*+G*V90905D**	57,000	41,200	13.3	11.7	734685	
	CA*F4860*6A*+MBE2000	57,000	41,200	13.5	11.8	734658	
	CHPF060D2*+EEP	57,000	41,200	13	11.5	734709	
	CHPF060D2*+G*V80905C**	57,000	41,200	13.3	11.7	734847	
	CHPF060D2*+G*V81155C**	57,000	41,200	13.3	11.7	734766	
	CHPF060D2*+G*V90905D**	57,000	41,200	13.3	11.7	734706	
	CHPF4860*6A*+G*V80905C**	57,000	41,200	13.3	11.7	734790	
	CHPF4860*6A*+G*V81155C**	57,000	41,200	13.3	11.7	734662	
	CHPF4860*6A*+G*V90905D**	57,000	41,200	13.3	11.7	734832	
	CHPF4860D6A*+EEP	57,000	41,200	13	11.5	734701	
	CSCF4860N6A*+EEP	56,000	40,400	13	11.5	734860	
	CSCF4860N6A*+G*V80905C**	56,000	40,400	13.3	11.7	734770	
	CSCF4860N6A*+G*V81155C**	56,000	40,400	13.3	11.7	734674	
	CSCF4860N6A*+G*V90905D**	56,000	40,400	13.3	11.7	735964	
	H61F+EEP	56,000	40,400	13	11.5	734711	
	H61F+G*V80905C**	56,000	40,400	13.3	11.7	734752	
H61F+G*V81155C**	56,000	40,400	13.3	11.7	734882		
H61F+G*V90905D**	56,000	40,400	13.3	11.7	734805		
GSC130603/4A*	ADPF48601A*	57,000	41,200	13	11.5	735194	77
	ARPF060-00B-1*	57,000	41,200	13	11.5	735210	
	ARPF48601A*	57,000	41,200	13	11.5	735144	
	ARPT061-00*-1*	57,000	41,200	13	11.5	735233	
	ARUF061-00*-1*	57,000	41,200	13	11.5	735249	
	ARUF48601A*	57,000	41,200	13	11.5	735174	
	CA*F061*2*+EEP	57,000	41,200	13	11.5	735173	
	CA*F4860*6A*+EEP	57,000	41,200	13	11.5	735072	
	CHPF060D2*+EEP	57,000	41,200	13	11.5	735256	
	CHPF4860D6A*+EEP	57,000	41,200	13	11.5	735169	
	CSCF4860N6A*+EEP	56,000	40,400	13	11.5	735239	
	H61F+EEP	56,000	40,400	13	11.5	735185	

NOTES:

- 1) Seasonal Energy Efficiency Ratio
- 2) Energy Efficiency Ratio @ 80 °F/67 °F Inside - 95 °F
- 3) When matching the outdoor unit to the indoor unit, use the piston supplied with the outdoor unit or that specified on the piston kit chart supplied with the indoor unit.
- 4) Note: XX of a model designates Electric Heat Kilo watts.
- 5) EEP - Order from Service Dept. Part No. B13707-38 or new Solid State Board B13707-35S. Part No. B13707-38 is not interchangeable with B13707-35S. The Goodman Gas Furnace contains the EEP cooling time delay.



Goodman Manufacturing Company, L.P., reserves the right to discontinue, or change at any time, specifications or designs without notice or without incurring obligations.

Copyright © 2006 • Goodman Manufacturing Company, L.P. • Houston, Texas
Goodman® brand products are proudly made in the USA.
Printed in the USA.