

## 1½ TO 5 TONS

### MULTI-POSITION AIR HANDLER WITH NEW SMARTFRAME™ CONSTRUCTION

#### Standard Features

- Direct-drive, multi-speed motor
- Internal factory-mounted TXV valve
- Transformer and blower time-delay on all units
- All-Aluminum coil
- Easy single-bulb UV light compatibility
- Cabinet air leakage less than 2.0% at 1.0 inch H<sub>2</sub>O when tested in accordance with ASHRAE standard 193
- Cabinet air leakage less than 1.4% at 0.5 inch H<sub>2</sub>O when tested in accordance with ASHRAE standard 193
- AHRI Certified; ETL Listed

#### Cabinet Features

- New rigid SmartFrame™ cabinet
- 21" depth for easy attic access
- Galvanized, leather grain-embossed finish
- Foil-faced insulation covers the entire blower case to reduce operating sound and cabinet condensation
- Glue-less cabinet insulation retention
- Screw-less sides & back prevents condensation
- Multi-position capability: upflow, downflow, horizontal or vertical
- Coil-mounting track for quick repositioning
- Tool-less filter access (washable filters available)
- Easily convertible 4-way design
- Multiple electrical knockouts
- Heavy-gauge bottom plate

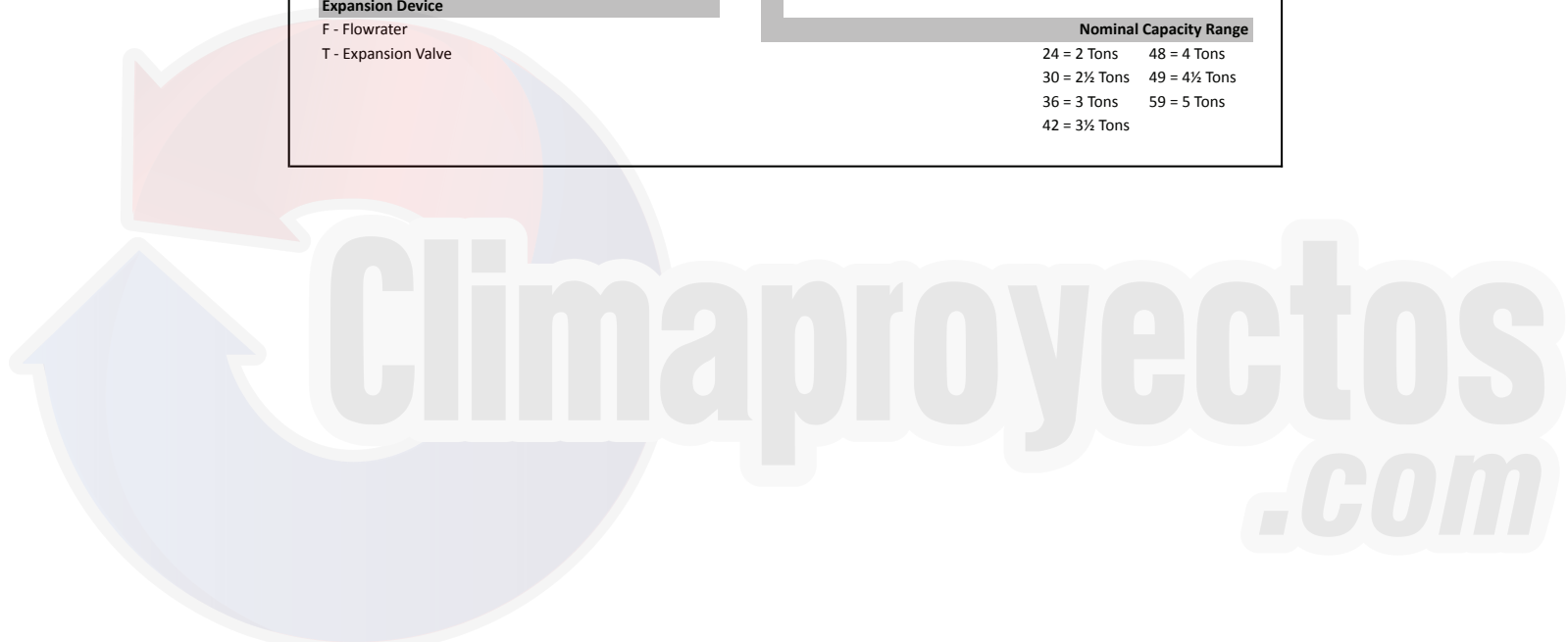
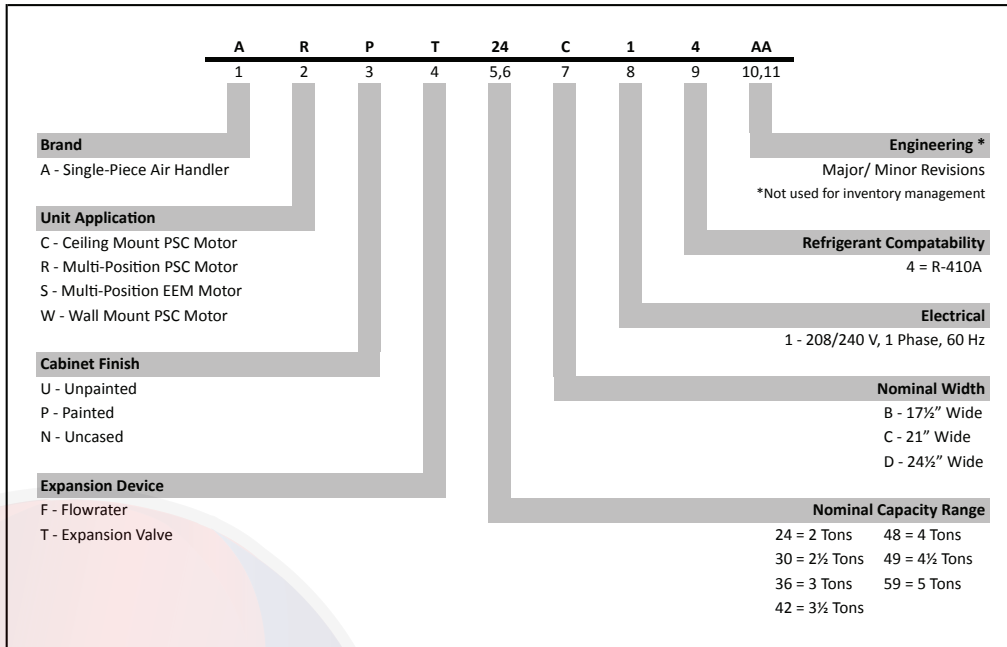


#### Contents

|                              |   |
|------------------------------|---|
| Nomenclature .....           | 2 |
| Product Specifications ..... | 3 |
| Dimensions .....             | 4 |
| Airflow Data .....           | 5 |
| Heat Kit Match-Ups .....     | 6 |
| Wiring Diagram .....         | 7 |
| Accessories .....            | 8 |



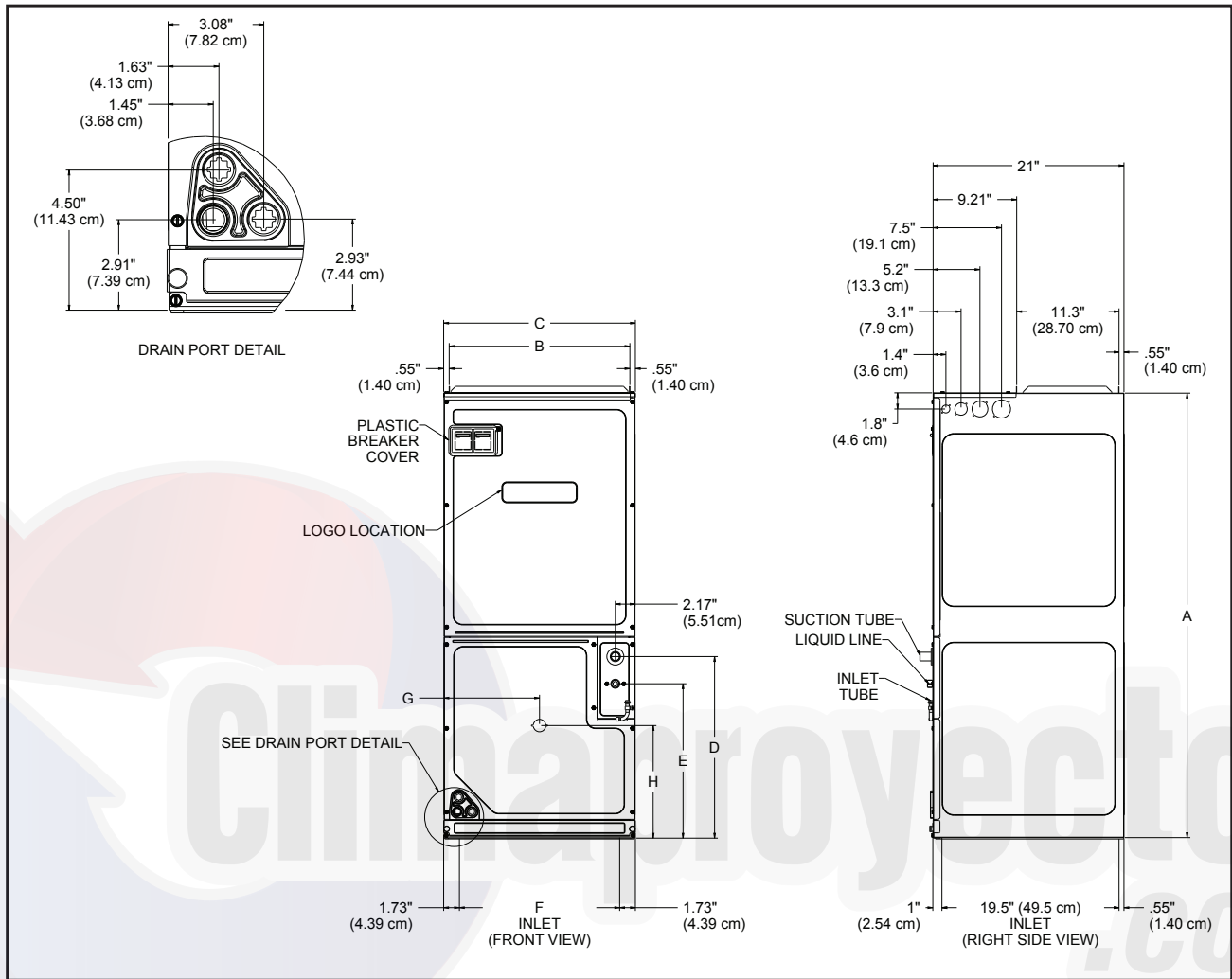
NOMENCLATURE



**SPECIFICATIONS**

|   | ARPT<br>18B14* | ARPT<br>24B14* | ARPT<br>30B14* | ARPT<br>36C14* | ARPT<br>36D14* | ARPT<br>42D14* | ARPT<br>48D14* | ARPT<br>60D14* |
|---|----------------|----------------|----------------|----------------|----------------|----------------|----------------|----------------|
| <b>NOMINAL RATINGS</b>                  |                |                |                |                |                |                |                |                |
| Cooling (BTU/h)                         | 18,000         | 24,000         | 30,000         | 36,000         | 36,000         | 42,000         | 48,000         | 60000          |
| <b>Blower</b>                           |                |                |                |                |                |                |                |                |
| Diameter                                | 9½"            | 9½"            | 9½"            | 10⅝"           | 10⅝"           | 10⅝"           | 11 15/16"      | 11 15/16"      |
| Width                                   | 6"             | 6"             | 6"             | 8"             | 10⅝"           | 10⅝"           | 10⅝"           | 10⅝"           |
| Coil Drain Connect FPT                  | 3/4"           | 3/4"           | 3/4"           | 3/4"           | 3/4"           | 3/4"           | 3/4"           | 3/4"           |
| <b>REFRIGERANT LINE CONNECTION SIZE</b> |                |                |                |                |                |                |                |                |
| Liquid                                  | 3/8"           | 3/8"           | 3/8"           | 3/8"           | 3/8"           | 3/8"           | 3/8"           | 3/8"           |
| Suction                                 | 3/4"           | 3/4"           | 3/4"           | 7/8"           | 7/8"           | 7/8"           | 7/8"           | 7/8"           |
| <b>ELECTRICAL DATA</b>                  |                |                |                |                |                |                |                |                |
| Voltage                                 | 208/230        | 208/230        | 208/230        | 208/230        | 208/230        | 208/230        | 208/230        | 208/230        |
| Min Circuit Ampacity                    | 3/3            | 3/3            | 3/3            | 4/4            | 4/4            | 5/5            | 5/5            | 6/6            |
| Max. Overcurrent Device (amps)          | 15/15          | 15/15          | 15/15          | 15/15          | 15/15          | 15/15          | 15/15          | 15/15          |
| Min. / Max VAC                          | 197/ 253       | 197/ 253       | 197/ 253       | 197/253        | 197/ 253       | 197/ 253       | 197/ 253       | 197/ 253       |
| Blower Motor FLA/ HP                    | 1.9/ ¼         | 1.9/ ¼         | 1.9/ ¼         | 3.1/ ¼         | 3.0/ ½         | 3.5/ ½         | 3.5/ ½         | 4.6/ ¼         |
| <b>SHIP WEIGHT (LBS)</b>                |                |                |                |                |                |                |                |                |
|   | 99             | 99             | 110            | 130            | 130            | 147            | 157            | 159            |

DIMENSIONS



| MODEL      | A" | B"                               | C"                             | D"                              | E"                              | F"                               | G"                              | H"                               |
|------------|----|----------------------------------|--------------------------------|---------------------------------|---------------------------------|----------------------------------|---------------------------------|----------------------------------|
| ARPT18B14* | 45 | 16 <sup>3</sup> / <sub>16</sub>  | 17 <sup>1</sup> / <sub>2</sub> | 18                              | 15                              | 14 <sup>3</sup> / <sub>16</sub>  | 8 <sup>13</sup> / <sub>16</sub> | 11 <sup>15</sup> / <sub>16</sub> |
| ARPT24B14* | 45 | 16 <sup>3</sup> / <sub>16</sub>  | 17 <sup>1</sup> / <sub>2</sub> | 18                              | 15                              | 14 <sup>3</sup> / <sub>16</sub>  | 8 <sup>13</sup> / <sub>16</sub> | 11 <sup>15</sup> / <sub>16</sub> |
| ARPT30B14* | 45 | 16 <sup>3</sup> / <sub>16</sub>  | 17 <sup>1</sup> / <sub>2</sub> | 18                              | 15                              | 14 <sup>3</sup> / <sub>16</sub>  | 8 <sup>13</sup> / <sub>16</sub> | 11 <sup>15</sup> / <sub>16</sub> |
| ARPT36C14* | 49 | 19 <sup>15</sup> / <sub>16</sub> | 21                             | 20                              | 17                              | 17 <sup>11</sup> / <sub>16</sub> | 10 <sup>1</sup> / <sub>2</sub>  | 12 <sup>3</sup> / <sub>8</sub>   |
| ARPT36D14* | 58 | 23 <sup>5</sup> / <sub>16</sub>  | 24 <sup>1</sup> / <sub>2</sub> | 28 <sup>3</sup> / <sub>16</sub> | 25 <sup>3</sup> / <sub>16</sub> | 21 <sup>3</sup> / <sub>16</sub>  | 12 <sup>5</sup> / <sub>16</sub> | 12 <sup>3</sup> / <sub>8</sub>   |
| ARPT42D14* | 58 | 23 <sup>5</sup> / <sub>16</sub>  | 24 <sup>1</sup> / <sub>2</sub> | 28 <sup>3</sup> / <sub>16</sub> | 25 <sup>3</sup> / <sub>16</sub> | 21 <sup>3</sup> / <sub>16</sub>  | 12 <sup>5</sup> / <sub>16</sub> | 12 <sup>3</sup> / <sub>8</sub>   |
| ARPT48D14* | 58 | 23 <sup>5</sup> / <sub>16</sub>  | 24 <sup>1</sup> / <sub>2</sub> | 28 <sup>3</sup> / <sub>16</sub> | 25 <sup>3</sup> / <sub>16</sub> | 21 <sup>3</sup> / <sub>16</sub>  | 12 <sup>5</sup> / <sub>16</sub> | 12 <sup>3</sup> / <sub>8</sub>   |
| ARPT60D14* | 58 | 23 <sup>5</sup> / <sub>16</sub>  | 24 <sup>1</sup> / <sub>2</sub> | 28 <sup>3</sup> / <sub>16</sub> | 25 <sup>3</sup> / <sub>16</sub> | 21 <sup>3</sup> / <sub>16</sub>  | 12 <sup>5</sup> / <sub>16</sub> | 12 <sup>3</sup> / <sub>8</sub>   |

## AIRFLOW DATA

| MODEL     | BLOWER SPEED | STATIC PRESSURE (IN W.C) AIRFLOW (CFM) |       |       |       |       |       |       |
|-----------|--------------|--|-------|-------|-------|-------|-------|-------|
|           |              | 0.1                                    | 0.2   | 0.3   | 0.4   | 0.5   | 0.6   | 0.7   |
| ARPT18B14 | High         | 1,185                                  | 1,125 | 1,065 | 1,010 | 985   | 910   | 780   |
|           | Medium       | 900                                    | 850   | 825   | 785   | 715   | 670   | 610   |
|           | Low          | 630                                    | 605   | 560   | 525   | 495   | 445   | 355   |
| ARPT24B14 | High         | 1,185                                  | 1,125 | 1,065 | 1,010 | 985   | 910   | 780   |
|           | Medium       | 900                                    | 850   | 825   | 785   | 715   | 670   | 610   |
|           | Low          | 630                                    | 605   | 560   | 525   | 495   | 445   | 355   |
| ARPT30B14 | High         | 1,145                                  | 1,085 | 1,020 | 950   | 900   | 845   | 765   |
|           | Medium       | 870                                    | 820   | 775   | 745   | 705   | 655   | 580   |
|           | Low          | 615                                    | 585   | 565   | 535   | 490   | 435   | 345   |
| ARPT36C14 | High         | 1,580                                  | 1,515 | 1,445 | 1,395 | 1,345 | 1,240 | 1,155 |
|           | Medium       | 1,385                                  | 1,350 | 1,300 | 1,250 | 1,170 | 1,095 | 1,005 |
|           | Low          | 1,260                                  | 1,205 | 1,175 | 1,105 | 1,040 | 975   | 865   |
| ARPT36D14 | High         | 1,815                                  | 1,770 | 1,705 | 1,640 | 1,555 | 1,450 | 1,355 |
|           | Medium       | 1,580                                  | 1,525 | 1,485 | 1,420 | 1,350 | 1,275 | 1,165 |
|           | Low          | 1,220                                  | 1,180 | 1,140 | 1,085 | 1,030 | 950   | 865   |
| ARPT42D14 | High         | 1,990                                  | 1,915 | 1,810 | 1,765 | 1,690 | 1,585 | 1,435 |
|           | Medium       | 1,655                                  | 1,605 | 1,555 | 1,480 | 1,295 | 1,200 | 1,060 |
|           | Low          | 1,480                                  | 1,420 | 1,350 | 1,290 | 1,185 | 1,100 | 1,045 |
| ARPT48D14 | High         | 1,960                                  | 1,905 | 1,845 | 1,780 | 1,715 | 1,645 | 1,570 |
|           | Medium       | 1,600                                  | 1,545 | 1,495 | 1,435 | 1,360 | 1,290 | 1,215 |
|           | Low          | 1,395                                  | 1,340 | 1,280 | 1,220 | 1,150 | 1,090 | 1,020 |
| ARPT60D14 | High         | 2,205                                  | 2,140 | 2,080 | 2,010 | 1,945 | 1,870 | 1,795 |
|           | Medium       | 1,985                                  | 1,935 | 1,865 | 1,815 | 1,755 | 1,695 | 1,635 |
|           | Low          | 1,600                                  | 1,555 | 1,505 | 1,455 | 1,405 | 1,345 | 1,295 |

**NOTES**

1. Airflow data indicated is at 230V without air filter in place.
2. The chart is for information only. For satisfactory operation, external static pressure must not exceed value shown on rating plate. The shaded area indicates ranges in excess of maximum recommended design external static pressure.
3. Use the CFM adjustment factors of 0.98 for horizontal left and 0.96 for horizontal right & downflow orientations

## HEAT KIT APPLICATIONS

| MODEL     | ARPT<br>18B14-A* | ARPT<br>24B14-A* | ARPT<br>30B14-A* | ARPT<br>36C14-A* | ARPT<br>36D14-A* | ARPT<br>42D14-A* | ARPT<br>48D14-A* | ARPT<br>60D14-A* |
|-----------|------------------|------------------|------------------|------------------|------------------|------------------|------------------|------------------|
| HKSX03XC* | X                | X                | X                | X                | X                | X                | X                | X                |
| HKSX05XC* | X                | X                | X                | X                | X                | X                | X                | X                |
| HKSX06XC* | X                | X                | X                | X                | X                | X                | X                | X                |
| HKSX08XC* | X                | X                | X                | X                | X                | X                | X                | X                |
| HKSX10XC* | X                | X                | X                | X                | X                | X                | X                | X                |
| HKSC05XC* | X                | X                | X                | X                | X                | X                | X                | X                |
| HKSC08XC* | X                | X                | X                | X                | X                | X                | X                | X                |
| HKSC10XC* | X                | X                | X                | X                | X                | X                | X                | X                |
| HKSC15XA* | ---              | ---              | X                | X                | X                | X                | X                | X                |
| HKSC15XB* | ---              | ---              | X                | X                | X                | X                | X                | X                |
| HKSC19CA* | ---              | ---              | ---              | X                | ---              | ---              | ---              | ---              |
| HKSC19CB* | ---              | ---              | ---              | X                | ---              | ---              | ---              | ---              |
| HKSC20DA* | ---              | ---              | ---              | ---              | X                | X                | X                | X                |
| HKSC20DB* | ---              | ---              | ---              | ---              | X                | X                | X                | X                |

\* Revision level that may or may not be designated  
 Note: Refer to the minimum airflow requirements for each of the heat kits

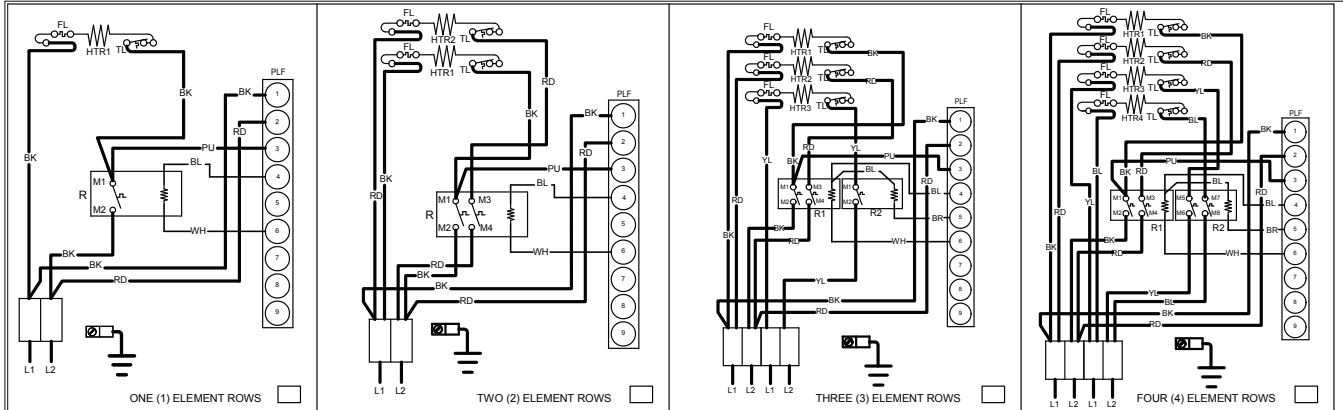
### SINGLE-POINT KIT \*\*

| MODEL  | HKSC15X* | HKSC19** | HKSC20** |
|--------|----------|----------|----------|
| SPW-01 | X        | X        | X        |

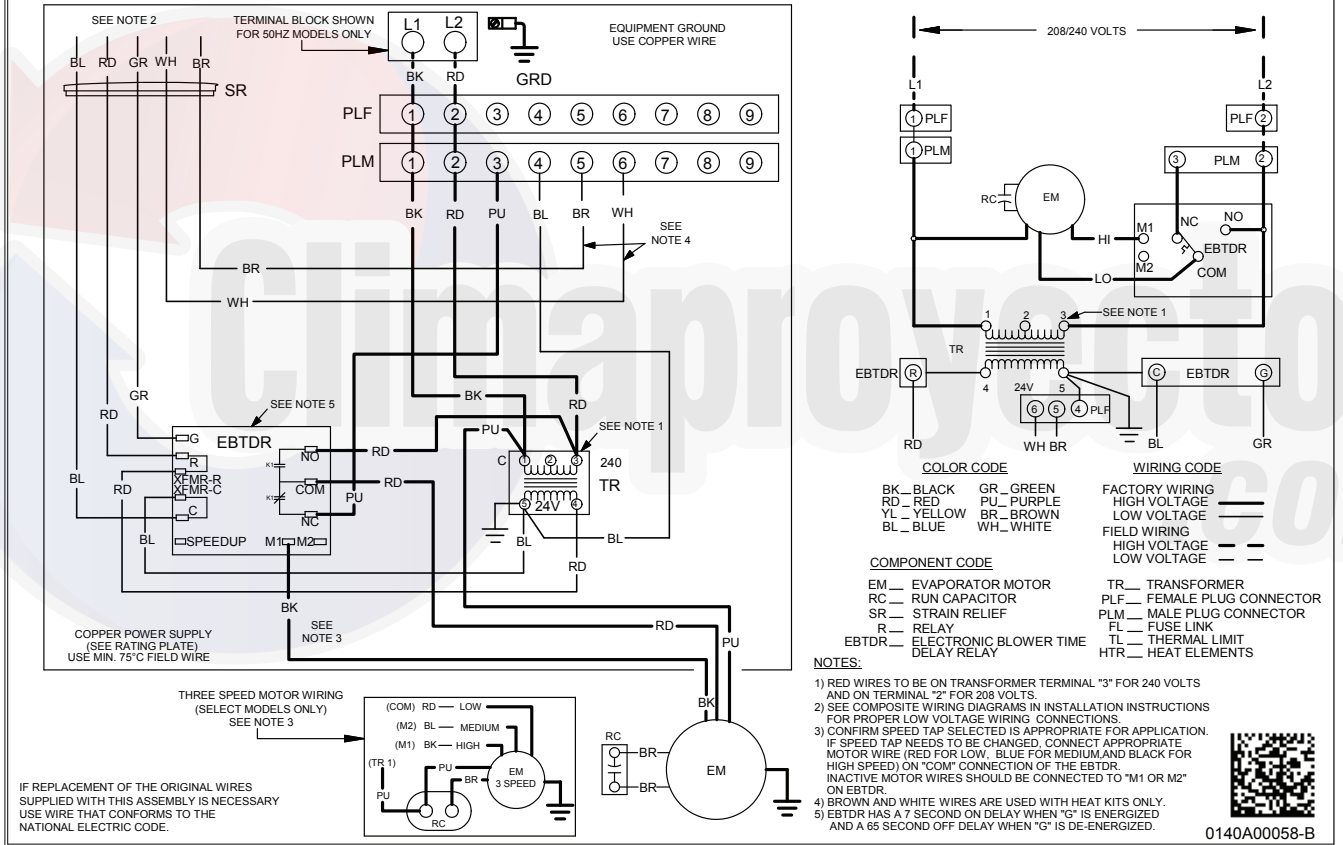
\*\* Must be installed along with any of the above compatible heat kits. This kit will fit any ARPT air handler as long as a compatible heat kit is installed in the unit.



# WIRING DIAGRAM



NOTE: WHEN INSTALLING HEATER KIT, ENSURE SPEED TAP IS NOT BELOW MINIMUM BLOWER SPEED (MBS) SPECIFIED FOR THE AIR HANDLER/HEATER KIT COMBINATION ON THIS UNITS SERIAL PLATE. AFTER INSTALLING OPTIONAL HEAT KIT, MARK A "X" IN THE  PROVIDED ABOVE. MARK ACCORDING TO THE NUMBER OF HEATER ELEMENT ROWS INSTALLED. NO MARK INDICATES NO HEAT KIT INSTALLED. 5 ELEMENT ROWS DATA SUPPLIED WITH HEATER KIT.



Wiring is subject to change. Always refer to the wiring diagram or the unit for the most up-to-date wiring.

|  |         |  |  |
|--|---------|--|--|
|  | WARNING | High Voltage: Disconnect all power before servicing or installing this unit. Multiple power sources may be present. Failure to do so may cause property damage, personal injury, or death. |  |
|--|---------|--|--|

ACCESSORIES

**DOWNFLOW INSULATION KIT**

| DPI-B       | DPI-C       | DPI-D       |
|-------------|-------------|-------------|
| ARPT18B14** | ARPT36C14** | ARPT36D14** |
| ARPT24B14** |             | ARPT42D14** |
| ARPT30B14** |             | ARPT48D14** |
|             |             | ARPT60D14** |

**FILTERS**

| CHASSIS | PART #       | SIZE          |
|---------|--------------|---------------|
| B       | ALFH16201E   | 16.0" x 20.0" |
| C       | ALFH1912201E | 19.5" x 20.0" |
| D       | ALFH20231E   | 23.0" x 20.0" |



Climaproyectos  
.com