

7½ & 10-Ton, Three-Phase
Split System Heat Pump
11 EER/14.5 IEER /3.4 COP/R-410A



Climaproyectos

■ Contents

Nomenclature	2
Product Specifications.....	3
Expanded Cooling Data	4
Expanded Heating Data	12
AHRI Ratings.....	13
Dimensions.....	14
Wiring Diagram	15
Accessories.....	16

■ Standard Features

- Two-stage energy efficient compressor with internal pressure relief valve
- High-capacity, steel-cased, bi-flow heat pump filter drier
- Liquid refrigerant return protection
- Check flowrate heating mode expansion device
- Reliable, time-initiated, temperature-terminated defrost control
- High and low pressure switches
- Discharge line muffler
- Brass liquid and suction line service valves mounted at a 90° angle with sweat connections and service ports
- High-efficiency copper tube / aluminum fin coil
- Complies with ASHRAE 90.1-2016
- AHRI Certified; ETL Listed

■ Cabinet Features

- Innovative sound control top design
- Steel louver coil guard protects coil from damage and adds strength to the unit
- 500-hour salt-spray test
- Heavy-gauge, galvanized-steel cabinet
- Attractive Nickel Gray powder-paint finish
- When properly anchored, meets the 2010 Florida Building Code unit integrity requirements for hurricane-type winds (Anchor bracket kits available.)



* Complete warranty details available from your local dealer or at www.daikincomfort.com or www.daikinac.com

	D	Z	14	X	A	090	3	A	A		
	1	2	3,4	5	6	7,8,9	10	11	12		
Brand D - Daikin											Engineering Minor revision
Type X - AC R-410A Z - HP R-410A											Engineering Major revision
EER 14.5 IEER											Voltage 3 - 208/230 V Three-Phase 60 Hz 4 - 460 V Three-Phase 60 Hz
Compressor X - Two Stage											Tonnage Nominal 090 - 7½ tons 120 - 10 tons
Feature Set A - Base											



	DZ14XA 0903AA	DZ14XA 0904AA	DZ14XA 1203AA	DZ14XA 1204AA
COOLING CAPACITIES				
Nominal Cooling (BTU/h) ¹	93,000	93,000	115,000	115,000
Nominal Heating (BTU/h) ¹	82,000	82,000	100,000	100,000
EER/IEER	11 / 14.5	11 / 14.5	11 / 14.5	11 / 14.5
Decibels	83.7	83.7	84.4	84.4
AHRI	210605687	210605688	210605689	210605690
COMPRESSOR				
RLA	26.9	12.0	32.6	14.8
LRA	164	94	240	130
CONDENSER FAN MOTOR				
Horsepower	1	1	1	1
FLA	7	3.5	7	3.5
REFRIGERATION SYSTEM				
Liquid Connection Valve Size ("O.D.)	5/8"	5/8"	5/8"	5/8"
Suction Connection Valve Size ("O.D.)	1 1/8"	1 1/8"	1 1/8"	1 1/8"
Valve Type	Sweat	Sweat	Sweat	Sweat
Refrigerant Charge (oz.) ²	55	55	55	55
ELECTRICAL DATA				
AC Volts	208/230	460	208/230	460
Hz / Phase	60 Hz/3	60 Hz/3	60 Hz/3	60 Hz/3
Minimum Circuit Ampacity ³	40.6	18.5	47.7	22.0
Max. Overcurrent Protection ⁴	60	30	60	35
Min / Max Volts	197/253	414/506	197/253	414/506
Electrical Conduit Size	1/2" or 3/4"	1/2" or 3/4"	1/2" or 3/4"	1/2" or 3/4"
SHIP WEIGHT (LBS)	355	355	375	370

¹ Tested and rated in accordance with ARI Standard 208/230

² Factory Holding Charge. Follow Installation Instructions for system charge

³ Wire size should be determined in accordance with National Electrical Codes; extensive wire runs will require larger wire sizes

⁴ Must use time-delay fuses or HACR-type circuit breakers of the same size as noted.

NOTES

- Always check the rating plate for electrical data on the unit being installed.
- Installer will need to supply 5/8" to 1 1/8" adapters for suction line connections.

EXPANDED COOLING DATA — DZ14XA0903A*/ DAX0903A*

IDB	AIRFLOW	OUTDOOR AMBIENT TEMPERATURE												ENTERING INDOOR WET BULB TEMPERATURE											
		65°F				75°F				85°F				95°F				105°F				115°F			
		59	63	67	71	59	63	67	71	59	63	67	71	59	63	67	71	59	63	67	71	59	63	67	71
2610	Capacity	91,686	92,979	95,714	-	90,866	92,159	94,895	-	88,475	89,768	92,504	-	84,361	85,655	88,390	-	79,334	80,627	83,362	-	74,744	76,037	78,773	-
	S/T	0.6	0.5	0.4	-	0.6	0.5	0.4	-	0.6	0.5	0.4	-	0.6	0.6	0.4	-	0.7	0.6	0.5	-	1.0	0.6	0.5	-
	Evap dT	19.0	17.2	13.9	-	18.9	17.1	13.9	-	19.2	17.4	14.1	-	18.9	17.1	13.8	-	18.7	16.9	13.6	-	19.8	18.0	14.7	-
	Pr-Suc	115.4	116.8	119.8	-	122.4	123.9	126.8	-	128.4	130.0	132.9	-	133.8	135.2	138.1	-	138.9	140.3	143.2	-	145.2	146.7	149.6	-
	Pr-Dis	260.8	261.9	263.8	-	301.9	303.0	304.9	-	345.0	346.1	347.9	-	391.3	392.5	394.3	-	441.4	442.5	444.3	-	494.7	495.8	497.7	-
	ODAmPs	23.4	23.4	23.3	-	26.7	26.7	26.6	-	30.5	30.4	30.4	-	34.5	34.5	34.4	-	39.0	39.0	38.9	-	44.3	44.3	44.2	-
TotalPower	5,661	5,655	5,642	-	6,391	6,385	6,372	-	7,206	7,200	7,187	-	8,087	8,082	8,069	-	9,073	9,067	9,054	-	10,229	10,223	10,210	-	
70 2900	Capacity	92,636	93,929	96,664	-	91,816	93,109	95,845	-	89,425	90,718	93,454	-	85,311	86,605	89,340	-	80,284	81,577	84,313	-	75,694	76,988	79,723	-
	S/T	0.6	0.6	0.4	-	0.6	0.6	0.4	-	0.7	0.6	0.5	-	0.7	0.6	0.5	-	0.7	0.6	0.5	-	1.0	0.7	0.5	-
	Evap dT	18.1	16.4	13.1	-	18.1	16.3	13.0	-	18.3	16.6	13.3	-	18.1	16.3	13.0	-	17.8	16.1	12.8	-	18.9	17.2	13.9	-
	Pr-Suc	116.8	118.2	121.1	-	123.8	125.2	128.1	-	129.9	131.3	134.3	-	135.1	136.5	139.5	-	140.2	141.6	144.6	-	146.6	148.0	150.9	-
	Pr-Dis	262.5	263.7	265.5	-	303.6	304.8	306.6	-	346.7	347.8	349.7	-	393.1	394.2	396.1	-	443.1	444.2	446.1	-	496.5	497.6	499.4	-
	ODAmPs	23.5	23.5	23.4	-	26.9	26.8	26.8	-	30.6	30.6	30.5	-	34.6	34.6	34.5	-	39.1	39.1	39.0	-	44.4	44.4	44.3	-
TotalPower	5,690	5,685	5,672	-	6,420	6,415	6,402	-	7,235	7,230	7,217	-	8,117	8,111	8,099	-	9,102	9,097	9,084	-	10,258	10,253	10,240	-	
3190	Capacity	93,734	95,027	97,762	-	92,914	94,207	96,942	-	90,523	91,816	94,552	-	86,409	87,703	90,438	-	81,382	82,675	85,410	-	76,792	78,085	80,821	-
	S/T	0.7	0.6	0.5	-	0.7	0.6	0.5	-	0.7	0.6	0.5	-	0.7	0.6	0.5	-	0.7	0.7	0.5	-	1.0	0.7	0.6	-
	Evap dT	17.4	15.6	12.3	-	17.3	15.6	12.3	-	17.6	15.8	12.5	-	17.3	15.6	12.3	-	17.1	15.3	12.0	-	18.2	16.4	13.1	-
	Pr-Suc	118.2	119.6	122.6	-	125.2	126.6	129.6	-	131.4	132.8	135.7	-	136.6	138.0	140.9	-	141.7	143.1	146.0	-	148.0	149.5	152.4	-
	Pr-Dis	264.2	265.4	267.2	-	305.3	306.5	308.3	-	348.4	349.5	351.4	-	394.8	395.9	397.8	-	444.8	445.9	447.8	-	498.2	499.3	501.1	-
	ODAmPs	23.6	23.6	23.6	-	27.0	26.9	26.9	-	30.7	30.7	30.6	-	34.7	34.7	34.7	-	39.3	39.2	39.2	-	44.5	44.5	44.5	-
TotalPower	5,716	5,711	5,698	-	6,446	6,441	6,428	-	7,261	7,255	7,243	-	8,143	8,137	8,125	-	9,128	9,123	9,110	-	10,284	10,279	10,266	-	
75 2900	Capacity	91,739	93,032	95,768	99,946	90,919	92,213	94,948	99,126	88,528	89,822	92,557	96,735	84,415	85,708	88,443	92,621	79,387	80,680	83,416	87,594	74,798	76,091	78,826	83,004
	S/T	0.7	0.6	0.5	0.4	0.7	0.6	0.5	0.4	0.7	0.7	0.5	0.4	1.0	0.7	0.6	0.4	1.0	0.7	0.6	0.4	1.0	0.8	0.6	0.5
	Evap dT	22.8	21.1	17.8	14.4	22.8	21.0	17.7	14.3	23.0	21.3	18.0	14.6	22.8	21.0	17.7	14.3	22.5	20.8	17.5	14.1	23.6	21.9	18.6	15.2
	Pr-Suc	115.5	116.9	119.8	124.7	122.5	123.9	126.8	131.7	128.6	130.0	133.0	137.9	133.8	135.2	138.2	143.1	138.9	140.3	143.3	148.2	145.3	146.7	149.6	154.5
	Pr-Dis	261.0	262.1	264.0	268.5	302.1	303.3	305.1	309.6	345.2	346.3	348.2	352.7	391.6	392.7	394.5	399.1	441.6	442.7	444.5	449.1	494.9	496.1	497.9	502.5
	ODAmPs	23.4	23.3	23.3	23.5	26.7	26.7	26.6	26.9	30.4	30.4	30.3	30.6	34.5	34.4	34.4	34.6	39.0	38.9	38.9	39.1	44.3	44.2	44.2	44.4
TotalPower	5,656	5,650	5,638	5,694	6,386	6,380	6,368	6,424	7,201	7,195	7,183	7,238	8,083	8,077	8,064	8,120	9,068	9,062	9,050	9,106	10,224	10,218	10,206	10,261	
75 2900	Capacity	92,689	93,982	96,718	100,896	91,869	93,163	95,898	100,076	89,478	90,772	93,507	97,685	85,365	86,658	89,393	93,571	80,337	81,631	84,366	88,544	75,748	77,041	79,776	83,954
	S/T	0.8	0.7	0.6	0.4	0.8	0.7	0.6	0.4	0.8	0.7	0.6	0.4	1.0	0.7	0.6	0.5	1.0	0.7	0.6	0.5	1.0	0.8	0.7	0.5
	Evap dT	22.0	20.2	16.9	13.5	22.0	20.2	16.9	13.5	22.2	20.4	17.1	13.7	21.9	20.2	16.9	13.5	21.7	19.9	16.6	13.2	22.8	21.0	17.7	14.3
	Pr-Suc	116.8	118.2	121.1	126.1	123.8	125.2	128.2	133.1	129.9	131.4	134.3	139.2	135.1	136.6	139.5	144.4	140.2	141.7	144.6	149.5	146.6	148.0	151.0	155.9
	Pr-Dis	262.8	263.9	265.7	270.3	303.9	305.0	306.8	311.4	346.9	348.1	349.9	354.5	393.3	394.5	396.3	400.8	443.3	444.5	446.3	450.8	496.7	497.8	499.7	504.2
	ODAmPs	23.5	23.5	23.4	23.7	26.8	26.8	26.8	27.0	30.6	30.5	30.5	30.7	34.6	34.6	34.5	34.8	39.1	39.1	39.0	39.3	44.4	44.4	44.3	44.6
TotalPower	5,686	5,680	5,668	5,723	6,416	6,410	6,398	6,453	7,231	7,225	7,212	7,268	8,112	8,107	8,094	8,150	9,098	9,092	9,080	9,135	10,254	10,248	10,235	10,291	
3190	Capacity	93,787	95,080	97,815	101,994	92,967	94,261	96,996	101,174	90,576	91,870	94,605	98,783	86,463	87,756	90,491	94,669	81,435	82,728	85,464	89,642	76,846	78,139	80,874	85,052
	S/T	0.8	0.7	0.6	0.4	0.8	0.7	0.6	0.5	0.8	0.7	0.6	0.5	1.0	0.8	0.6	0.5	1.0	0.8	0.6	0.5	1.0	0.8	0.7	0.6
	Evap dT	21.3	19.5	16.2	12.8	21.2	19.5	16.2	12.7	21.5	19.7	16.4	13.0	21.0	19.4	16.1	12.7	21.0	19.2	15.9	12.5	22.1	20.3	17.0	13.6
	Pr-Suc	118.2	119.7	122.6	127.5	125.2	126.7	129.6	134.5	131.4	132.8	135.7	140.7	136.6	138.0	140.9	145.8	141.7	143.1	146.0	150.9	148.1	149.5	152.4	157.3
	Pr-Dis	264.5	265.6	267.4	272.0	305.6	306.7	308.5	313.1	348.6	349.8	351.6	356.1	395.0	396.2	398.0	402.5	445.0	446.2	448.0	452.5	498.4	499.5	501.4	505.9
	ODAmPs	23.6	23.6	23.5	23.8	27.0	26.9	26.9	27.1	30.7	30.7	30.6	30.9	34.7	34.7	34.6	34.9	39.2	39.2	39.1	39.4	44.5	44.5	44.4	44.7
TotalPower	5,712	5,706	5,693	5,749	6,442	6,436	6,423	6,479	7,256	7,251	7,238	7,294	8,138	8,133	8,120	8,176	9,124	9,118	9,105	9,161	10,280	10,274	10,261	10,317	

IDB: Entering Indoor Dry Bulb Temperature
 High and low pressures are measured at the liquid and suction service valves.
 Shaded area reflects ACCA (TVA) conditions
 kW=Total system power
 Amps = outdoor unit amps (comp.+fan)

IDB	AIRFLOW	OUTDOOR AMBIENT TEMPERATURE																							
		65°F				75°F				85°F				95°F				105°F				115°F			
		59	63	67	71	59	63	67	71	59	63	67	71	59	63	67	71	59	63	67	71	59	63	67	71
	Capacity	92,213	93,507	96,242	100,420	91,394	92,687	95,422	99,600	89,003	90,296	93,031	97,209	84,889	86,182	88,918	93,096	79,862	81,155	83,890	88,068	75,272	76,565	79,300	83,479
	S/T	0.8	0.8	0.6	0.5	1.0	0.8	0.7	0.5	1.0	0.8	0.7	0.5	1.0	0.8	0.7	0.5	1.0	0.8	0.7	0.6	1.0	1.0	0.7	0.6
	Evap dT	26.7	25.0	21.7	18.3	26.7	24.9	21.6	18.2	26.9	25.2	21.9	18.5	26.7	24.9	21.6	18.2	26.4	24.7	21.4	18.0	27.6	25.8	22.5	19.1
2610	Pr Suc	116.0	117.4	120.3	125.2	123.0	124.4	127.3	132.2	129.1	130.5	133.5	138.4	134.3	135.7	138.7	143.8	139.4	140.8	143.8	148.7	145.8	147.2	150.1	155.0
	Pr Dis	261.5	262.6	264.5	269.0	302.6	303.7	305.6	310.1	345.7	346.8	348.6	353.2	392.1	393.2	395.0	399.6	442.1	443.2	445.0	449.6	495.4	496.6	498.4	502.9
	ODamps	23.4	23.3	23.3	23.5	26.7	26.7	26.6	26.9	30.4	30.4	30.4	30.6	34.5	34.5	34.4	34.7	39.0	39.0	38.9	39.2	44.3	44.3	44.4	44.5
	TotalPower	5,660	5,654	5,642	5,697	6,390	6,384	6,372	6,427	7,205	7,199	7,186	7,242	8,086	8,081	8,068	8,124	9,072	9,066	9,054	9,109	10,228	10,222	10,209	10,265
	Capacity	93,163	94,457	97,192	101,370	92,344	93,637	96,372	100,550	89,953	91,246	93,981	98,159	85,839	87,132	89,868	94,046	80,812	82,105	84,840	89,018	76,222	77,515	80,251	84,429
	S/T	0.9	0.8	0.7	0.5	1.0	0.8	0.7	0.5	1.0	0.8	0.7	0.6	1.0	0.8	0.7	0.6	1.0	0.9	0.7	0.6	1.0	1.0	0.8	0.7
	Evap dT	25.9	24.1	20.8	17.4	25.9	24.1	20.8	17.4	26.1	24.3	21.0	17.6	25.8	24.1	20.8	17.4	25.6	23.8	20.5	17.1	26.7	24.9	21.7	18.2
80	Pr Suc	117.3	118.7	121.7	126.6	124.3	125.7	128.7	133.6	130.5	131.9	134.8	139.7	135.6	137.1	140.0	144.9	140.7	142.2	145.1	150.0	147.1	148.5	151.5	156.4
	Pr Dis	263.2	264.4	266.2	270.7	304.4	305.5	307.3	311.9	347.4	348.6	350.4	354.9	393.8	394.9	396.8	401.3	443.8	444.9	446.8	451.3	497.2	498.3	500.1	504.7
	ODamps	23.5	23.5	23.4	23.7	26.9	26.8	26.8	27.0	30.6	30.6	30.5	30.8	34.6	34.6	34.5	34.8	39.1	39.1	39.0	39.3	44.4	44.4	44.3	44.6
	TotalPower	5,690	5,684	5,671	5,727	6,420	6,414	6,401	6,457	7,234	7,229	7,216	7,272	8,116	8,111	8,098	8,154	9,102	9,096	9,083	9,139	10,258	10,252	10,239	10,295
	Capacity	94,261	95,555	98,290	102,468	93,442	94,735	97,470	101,648	91,051	92,344	95,079	99,257	86,937	88,230	90,966	95,144	81,910	83,203	85,938	90,116	77,320	78,613	81,348	85,527
	S/T	0.9	0.8	0.7	0.6	1.0	0.8	0.7	0.6	1.0	0.9	0.7	0.6	1.0	0.9	0.7	0.6	1.0	0.9	0.8	0.6	1.0	1.0	0.8	0.7
	Evap dT	25.2	23.4	20.1	16.7	25.1	23.4	20.1	16.7	25.4	23.6	20.3	16.9	25.1	23.3	20.1	16.6	24.9	23.1	19.8	16.4	26.0	24.2	20.9	17.5
3190	Pr Suc	118.7	120.2	123.1	128.0	125.8	127.2	130.1	135.0	131.9	133.3	136.3	141.2	137.1	138.5	141.5	146.4	142.2	143.6	146.5	151.5	148.6	150.0	152.9	157.8
	Pr Dis	264.9	266.1	267.9	272.4	306.1	307.2	309.0	313.6	349.1	350.3	352.1	356.6	395.5	396.6	398.5	403.0	445.5	446.6	448.5	453.0	498.9	500.0	501.8	506.4
	ODamps	23.6	23.6	23.5	23.8	27.0	26.9	26.9	27.1	30.7	30.7	30.6	30.9	34.7	34.7	34.7	34.9	39.2	39.2	39.2	39.4	44.5	44.5	44.5	44.7
	TotalPower	5,715	5,710	5,697	5,753	6,445	6,440	6,427	6,483	7,260	7,255	7,242	7,298	8,142	8,136	8,124	8,180	9,127	9,122	9,109	9,165	10,283	10,278	10,265	10,321

	Capacity	93,756	95,049	97,785	101,963	92,937	94,230	96,965	101,143	90,546	91,839	94,574	98,752	86,432	87,725	90,460	94,639	81,404	82,698	85,433	89,611	76,815	78,108	80,843	85,021
	S/T	1.0	0.9	0.7	0.6	1.0	0.9	0.7	0.6	1.0	0.9	0.8	0.6	1.0	1.0	0.8	0.6	1.0	1.0	0.8	0.7	1.0	1.0	0.8	0.7
	Evap dT	30.2	28.4	25.2	21.7	30.2	28.4	25.1	21.7	30.4	28.6	25.4	21.9	30.1	28.4	25.1	21.7	29.9	28.1	24.9	21.4	31.0	29.3	26.0	22.5
2610	Pr Suc	117.7	119.1	122.0	127.0	124.7	126.1	129.1	134.0	130.8	132.3	135.2	140.1	136.0	137.5	140.4	145.3	141.1	142.6	145.5	150.4	147.5	148.9	151.9	156.8
	Pr Dis	262.7	263.9	265.7	270.2	303.8	305.0	306.8	311.3	346.9	348.0	349.9	354.4	393.3	394.4	396.2	400.8	443.3	444.4	446.3	450.8	496.7	497.8	499.6	504.2
	ODamps	23.4	23.4	23.4	23.6	26.8	26.8	26.7	27.0	30.5	30.5	30.4	30.7	34.5	34.5	34.5	34.7	39.1	39.0	39.0	39.2	44.3	44.3	44.3	44.5
	TotalPower	5,674	5,668	5,655	5,711	6,404	6,398	6,385	6,441	7,219	7,213	7,200	7,256	8,100	8,095	8,082	8,138	9,086	9,080	9,068	9,123	10,242	10,236	10,223	10,279
	Capacity	94,706	96,000	98,735	102,913	93,887	95,180	97,915	102,093	91,496	92,789	95,524	99,702	87,382	88,675	91,411	95,589	82,354	83,648	86,383	90,561	77,765	79,058	81,793	85,972
	S/T	1.0	0.9	0.8	0.6	1.0	0.9	0.8	0.6	1.0	0.9	0.8	0.7	1.0	1.0	0.8	0.7	1.0	1.0	0.8	0.7	1.0	1.0	0.9	0.7
	Evap dT	29.4	27.6	24.3	20.9	29.3	27.6	24.3	20.9	29.6	27.8	24.5	21.1	29.3	27.5	24.2	20.8	29.1	27.3	24.0	20.6	30.2	28.4	25.1	21.7
2900	Pr Suc	119.0	120.5	123.4	128.3	126.0	127.5	130.4	135.3	132.2	133.6	136.5	141.4	137.4	138.8	141.7	146.6	142.5	143.9	146.8	151.7	148.8	150.3	153.2	158.1
	Pr Dis	264.5	265.6	267.4	272.0	305.6	306.7	308.5	313.1	348.7	349.8	351.6	356.2	395.0	396.2	398.0	402.5	445.0	446.2	448.0	452.5	498.4	499.5	501.4	505.9
	ODamps	23.6	23.6	23.5	23.7	26.9	26.9	26.8	27.1	30.6	30.6	30.6	30.8	34.7	34.7	34.6	34.9	39.2	39.2	39.1	39.4	44.5	44.5	44.4	44.7
	TotalPower	5,704	5,698	5,685	5,741	6,434	6,428	6,415	6,471	7,248	7,243	7,230	7,286	8,130	8,125	8,112	8,168	9,116	9,110	9,097	9,153	10,272	10,266	10,253	10,309
	Capacity	95,804	97,097	99,833	104,011	94,984	96,278	99,013	103,191	92,593	93,887	96,622	100,800	88,480	89,773	92,508	96,687	83,452	84,746	87,481	91,659	78,863	80,156	82,891	87,069
	S/T	1.0	0.9	0.8	0.7	1.0	0.9	0.8	0.7	1.0	1.0	0.8	0.7	1.0	1.0	0.8	0.7	1.0	1.0	0.9	0.7	1.0	1.0	0.9	0.8
	Evap dT	28.6	26.9	23.6	20.2	28.6	26.8	23.5	20.1	28.8	27.1	23.8	20.4	28.6	26.8	23.5	20.1	28.3	26.6	23.3	19.9	29.4	27.7	24.4	21.0
3190	Pr Suc	120.5	121.9	124.8	129.7	127.5	128.9	131.8	136.8	133.6	135.1	138.0	142.9	138.8	140.2	143.2	148.1	143.9	145.3	148.3	153.2	150.3	151.7	154.7	159.6
	Pr Dis	266.2	267.3	269.1	273.7	307.3	308.4	310.2	314.8	350.3	351.5	353.3	357.9	396.7	397.9	399.7	404.2	446.7	447.9	449.7	454.2	500.1	501.2	503.1	507.6
	ODamps	23.7	23.7	23.6	23.9	27.0	27.0	27.0	27.2	30.8	30.7	30.7	30.9	34.8	34.8	34.7	35.0	39.3	39.3	39.2	39.5	44.6	44.6	44.5	44.8
	TotalPower	5,729	5,724	5,711	5,767	6,459	6,454	6,441	6,497	7,274	7,269	7,256	7,312	8,156	8,150	8,138	8,194	9,141	9,136	9,123	9,179	10,297	10,292	10,279	10,335

IDB: Entering Indoor Dry Bulb Temperature
 High and low pressures are measured at the liquid and suction service valves.
 Shaded area reflects AHRI conditions
 kW=Total system power
 Amps = outdoor unit amps (comp.+fan)

EXPANDED COOLING DATA — DZ14XA0904A*/DAX0904A* (CONT.)

IDB	AIRFLOW	OUTDOOR AMBIENT TEMPERATURE												ENTERING INDOOR WET BULB TEMPERATURE											
		65°F				75°F				85°F				95°F				105°F				115°F			
		59	63	67	71	59	63	67	71	59	63	67	71	59	63	67	71	59	63	67	71	59	63	67	71
2610	Capacity	91,686	92,979	95,714	-	90,866	92,159	94,895	-	88,475	89,768	92,504	-	84,361	85,655	88,390	-	79,334	80,627	83,362	-	74,744	76,037	78,773	-
	S/T	0.6	0.5	0.4	-	0.6	0.5	0.4	-	0.6	0.5	0.4	-	0.6	0.6	0.4	-	0.7	0.6	0.5	-	1.0	0.6	0.5	-
	Evap dT	19.0	17.2	13.9	-	18.9	17.1	13.9	-	19.2	17.4	14.1	-	18.9	17.1	13.8	-	18.7	16.9	13.6	-	19.8	18.0	14.7	-
	Pr Suc	115.4	116.8	119.8	-	122.4	123.9	126.8	-	128.6	130.0	132.9	-	133.8	135.2	138.1	-	138.9	140.3	143.2	-	145.2	146.7	149.6	-
	Pr Dis	260.8	261.9	263.8	-	301.9	303.0	304.9	-	345.0	346.1	347.9	-	391.3	392.5	394.3	-	441.4	442.5	444.3	-	494.7	495.8	497.7	-
	ODAmps	11.7	11.7	11.6	-	13.4	13.3	13.3	-	15.2	15.2	15.2	-	17.2	17.2	17.2	-	19.5	19.5	19.5	-	22.1	22.1	22.1	-
TotalPower	5,661	5,655	5,642	-	6,391	6,385	6,372	-	7,206	7,200	7,187	-	8,087	8,082	8,069	-	9,073	9,067	9,054	-	10,229	10,223	10,210	-	
70	Capacity	92,636	93,929	96,664	-	91,816	93,109	95,845	-	89,425	90,718	93,454	-	85,311	86,605	89,340	-	80,284	81,577	84,313	-	75,694	76,988	79,723	-
	S/T	0.6	0.6	0.4	-	0.6	0.6	0.4	-	0.7	0.6	0.5	-	0.7	0.6	0.5	-	0.7	0.6	0.5	-	1.0	0.7	0.5	-
	Evap dT	18.1	16.4	13.1	-	18.1	16.3	13.0	-	18.3	16.6	13.3	-	18.1	16.3	13.0	-	17.8	16.1	12.8	-	18.9	17.2	13.9	-
	Pr Suc	116.8	118.2	121.1	-	123.8	125.2	128.1	-	129.9	131.3	134.3	-	135.1	136.5	139.5	-	140.2	141.6	144.6	-	146.6	148.0	150.9	-
	Pr Dis	262.5	263.7	265.5	-	303.6	304.8	306.6	-	346.7	347.8	349.7	-	393.1	394.2	396.1	-	443.1	444.2	446.1	-	496.5	497.6	499.4	-
	ODAmps	11.8	11.7	11.7	-	13.4	13.4	13.4	-	15.3	15.3	15.3	-	17.3	17.3	17.3	-	19.6	19.6	19.5	-	22.2	22.2	22.2	-
TotalPower	5,690	5,685	5,672	-	6,420	6,415	6,402	-	7,235	7,230	7,217	-	8,117	8,111	8,099	-	9,102	9,097	9,084	-	10,258	10,253	10,240	-	
3190	Capacity	93,734	95,027	97,762	-	92,914	94,207	96,942	-	90,523	91,816	94,552	-	86,409	87,703	90,438	-	81,382	82,675	85,410	-	76,792	78,085	80,821	-
	S/T	0.7	0.6	0.5	-	0.7	0.6	0.5	-	0.7	0.6	0.5	-	0.7	0.6	0.5	-	0.7	0.7	0.5	-	1.0	0.7	0.6	-
	Evap dT	17.4	15.6	12.3	-	17.3	15.6	12.3	-	17.6	15.8	12.5	-	17.3	15.6	12.3	-	17.1	15.3	12.0	-	18.2	16.4	13.1	-
	Pr Suc	118.2	119.6	122.6	-	125.2	126.6	129.6	-	131.4	132.8	135.7	-	136.6	138.0	140.9	-	141.7	143.1	146.0	-	148.0	149.5	152.4	-
	Pr Dis	264.2	265.4	267.2	-	305.3	306.5	308.3	-	348.4	349.5	351.4	-	394.8	395.9	397.8	-	444.8	445.9	447.8	-	498.2	499.3	501.1	-
	ODAmps	11.8	11.8	11.8	-	13.5	13.5	13.4	-	15.4	15.3	15.3	-	17.4	17.4	17.3	-	19.6	19.6	19.6	-	22.3	22.3	22.2	-
TotalPower	5,716	5,711	5,698	-	6,446	6,441	6,428	-	7,261	7,255	7,243	-	8,143	8,137	8,125	-	9,128	9,123	9,110	-	10,284	10,279	10,266	-	
2610	Capacity	91,739	93,032	95,768	99,946	90,919	92,213	94,948	99,126	88,528	89,822	92,557	96,735	84,415	85,708	88,443	92,621	79,387	80,680	83,416	87,594	74,798	76,091	78,826	83,004
	S/T	0.7	0.6	0.5	0.4	0.7	0.6	0.5	0.4	0.7	0.7	0.5	0.4	1.0	0.7	0.6	0.4	1.0	0.7	0.6	0.4	1.0	0.8	0.6	0.5
	Evap dT	22.8	21.1	17.8	14.4	22.8	21.0	17.7	14.3	23.0	21.3	18.0	14.6	22.8	21.0	17.7	14.3	22.5	20.8	17.5	14.1	23.6	21.9	18.6	15.2
	Pr Suc	115.5	116.9	119.8	124.7	122.5	123.9	126.8	131.7	128.6	130.0	133.0	137.9	133.8	135.2	138.2	143.1	138.9	140.3	143.3	148.2	145.3	146.7	149.6	154.5
	Pr Dis	261.0	262.1	264.0	268.5	302.1	303.3	305.1	309.6	345.2	346.3	348.2	352.7	391.6	392.7	394.5	399.1	441.6	442.7	444.5	449.1	494.9	496.1	497.9	502.5
	ODAmps	11.7	11.7	11.6	11.8	13.3	13.3	13.3	13.4	15.2	15.2	15.2	15.3	17.2	17.2	17.2	17.3	19.5	19.5	19.4	19.6	22.1	22.1	22.1	22.2
TotalPower	5,656	5,650	5,638	5,694	6,386	6,380	6,368	6,424	7,201	7,195	7,183	7,238	8,083	8,077	8,064	8,120	9,068	9,062	9,050	9,106	10,224	10,218	10,206	10,261	
75	Capacity	92,689	93,982	96,718	100,896	91,869	93,163	95,898	100,076	89,478	90,772	93,507	97,685	85,365	86,658	89,393	93,571	80,337	81,631	84,366	88,544	75,748	77,041	79,776	83,954
	S/T	0.8	0.7	0.6	0.4	0.8	0.7	0.6	0.4	0.8	0.7	0.6	0.4	1.0	0.7	0.6	0.5	1.0	0.7	0.6	0.5	1.0	0.8	0.7	0.5
	Evap dT	22.0	20.2	16.9	13.5	22.0	20.2	16.9	13.5	22.2	20.4	17.1	13.7	21.9	20.2	16.9	13.5	21.7	19.9	16.6	13.2	22.8	21.0	17.7	14.3
	Pr Suc	116.8	118.2	121.1	126.1	123.8	125.2	128.2	133.1	129.9	131.4	134.3	139.2	135.1	136.6	139.5	144.4	140.2	141.7	144.6	149.5	146.6	148.0	151.0	155.9
	Pr Dis	262.8	263.9	265.7	270.3	303.9	305.0	306.8	311.4	346.9	348.1	349.9	354.5	393.3	394.5	396.3	400.8	443.3	444.5	446.3	450.8	496.7	497.8	499.7	504.2
	ODAmps	11.7	11.7	11.7	11.8	13.4	13.4	13.4	13.5	15.3	15.3	15.2	15.4	17.3	17.3	17.3	17.4	19.6	19.5	19.5	19.6	22.2	22.2	22.2	22.3
TotalPower	5,686	5,680	5,668	5,723	6,416	6,410	6,398	6,453	7,231	7,225	7,212	7,268	8,112	8,107	8,094	8,150	9,098	9,092	9,080	9,135	10,254	10,248	10,235	10,291	
3190	Capacity	93,787	95,080	97,815	101,994	92,967	94,261	96,996	101,174	90,576	91,870	94,605	98,783	86,463	87,756	90,491	94,669	81,435	82,728	85,464	89,642	76,846	78,139	80,874	85,052
	S/T	0.8	0.7	0.6	0.4	0.8	0.7	0.6	0.5	0.8	0.7	0.6	0.5	1.0	0.8	0.6	0.5	1.0	0.8	0.6	0.5	1.0	0.8	0.7	0.6
	Evap dT	21.3	19.5	16.2	12.8	21.2	19.5	16.2	12.7	21.5	19.7	16.4	13.0	21.2	19.4	16.1	12.7	21.0	19.2	15.9	12.5	22.1	20.3	17.0	13.6
	Pr Suc	118.2	119.7	122.6	127.5	125.2	126.7	129.6	134.5	131.4	132.8	135.7	140.7	136.6	138.0	140.9	145.8	141.7	143.1	146.0	150.9	148.1	149.5	152.4	157.3
	Pr Dis	264.5	265.6	267.4	272.0	305.6	306.7	308.5	313.1	348.6	349.8	351.6	356.1	395.0	396.2	398.0	402.5	445.0	446.2	448.0	452.5	498.4	499.5	501.4	505.9
	ODAmps	11.8	11.8	11.8	11.9	13.5	13.5	13.4	13.6	15.3	15.3	15.3	15.4	17.4	17.3	17.3	17.4	19.6	19.6	19.6	19.7	22.3	22.2	22.2	22.3
TotalPower	5,712	5,706	5,693	5,749	6,442	6,436	6,423	6,479	7,256	7,251	7,238	7,294	8,138	8,133	8,120	8,176	9,124	9,118	9,105	9,161	10,280	10,274	10,261	10,317	

IDB: Entering Indoor Dry Bulb Temperature
 High and low pressures are measured at the liquid and suction service valves.
 Shaded area reflects ACCA (TVA) conditions
 kW=Total system power
 Amps = outdoor unit amps (comp.+fan)

EXPANDED COOLING DATA — DZ14XA0904A*/DAX0904A*(CONT.)

IDB	AIRFLOW	OUTDOOR AMBIENT TEMPERATURE												ENTERING INDOOR WET BULB TEMPERATURE											
		65°F				75°F				85°F				95°F				105°F				115°F			
		59	63	67	71	59	63	67	71	59	63	67	71	59	63	67	71	59	63	67	71	59	63	67	71
2610	Capacity	92,213	93,507	96,242	100,420	91,394	92,687	95,422	99,600	89,003	90,296	93,031	97,209	84,889	86,182	88,918	93,096	79,862	81,155	83,890	88,068	75,272	76,565	79,300	83,479
	S/T	0.8	0.8	0.6	0.5	1.0	0.8	0.6	0.5	1.0	0.8	0.7	0.5	1.0	0.8	0.7	0.5	1.0	0.8	0.7	0.6	1.0	1.0	0.7	0.6
	Evap dT	26.7	25.0	21.7	18.3	26.7	24.9	21.6	18.2	26.9	25.2	21.9	18.5	26.7	24.9	21.6	18.2	26.4	24.7	21.4	18.0	27.6	25.8	22.5	19.1
	Pr Suc	116.0	117.4	120.3	125.2	123.0	124.4	127.3	132.2	129.1	130.5	133.5	138.4	134.3	135.7	138.7	143.6	139.4	140.8	143.8	148.7	145.8	147.2	150.1	155.0
	Pr Dis	261.5	262.6	264.5	269.0	302.6	303.7	305.6	310.1	345.7	346.8	348.6	353.2	392.1	393.2	395.0	399.6	442.1	443.2	445.0	449.6	495.4	496.6	498.4	502.9
	ODAmps	11.7	11.7	11.6	11.8	13.4	13.3	13.3	13.4	15.2	15.2	15.2	15.3	17.2	17.2	17.2	17.3	19.5	19.5	19.5	19.6	22.1	22.1	22.1	22.2
TotalPower	5,660	5,654	5,642	5,697	6,390	6,384	6,372	6,427	7,205	7,199	7,186	7,242	8,086	8,081	8,068	8,124	9,072	9,066	9,054	9,109	10,228	10,222	10,209	10,265	
80	Capacity	93,163	94,457	97,192	101,370	92,344	93,637	96,372	100,550	89,953	91,246	93,981	98,159	85,839	87,132	89,868	94,046	80,812	82,105	84,840	89,018	76,222	77,515	80,251	84,429
	S/T	0.9	0.8	0.7	0.5	1.0	0.8	0.7	0.5	1.0	0.8	0.7	0.6	1.0	0.8	0.7	0.6	1.0	0.9	0.7	0.6	1.0	1.0	0.8	0.7
	Evap dT	25.9	24.1	20.8	17.4	25.9	24.1	20.8	17.4	26.1	24.3	21.0	17.6	25.8	24.1	20.8	17.4	25.6	23.8	20.5	17.0	26.7	24.9	21.7	18.2
	Pr Suc	117.3	118.7	121.7	126.6	124.3	125.7	128.7	133.6	130.5	131.9	134.8	139.7	135.6	137.1	140.0	144.9	140.7	142.2	145.1	150.0	147.1	148.5	151.5	156.4
	Pr Dis	263.2	264.4	266.2	270.7	304.4	305.5	307.3	311.9	347.4	348.6	350.4	354.9	393.8	394.9	396.8	401.3	443.8	444.9	446.8	451.3	497.2	498.3	500.1	504.7
	ODAmps	11.8	11.7	11.7	11.8	13.4	13.4	13.4	13.5	15.3	15.3	15.2	15.4	17.3	17.3	17.3	17.4	19.6	19.6	19.5	19.7	22.2	22.2	22.2	22.3
TotalPower	5,690	5,684	5,671	5,727	6,420	6,414	6,401	6,457	7,234	7,229	7,216	7,272	8,116	8,111	8,098	8,154	9,102	9,096	9,083	9,139	10,258	10,252	10,239	10,295	
3190	Capacity	94,261	95,555	98,290	102,468	93,442	94,735	97,470	101,648	91,051	92,344	95,079	99,257	86,937	88,230	90,966	95,144	81,910	83,203	85,938	90,116	77,320	78,613	81,348	85,527
	S/T	0.9	0.8	0.7	0.6	1.0	0.8	0.7	0.6	1.0	0.9	0.7	0.6	1.0	0.9	0.7	0.6	1.0	0.9	0.8	0.6	1.0	1.0	0.8	0.7
	Evap dT	25.2	23.4	20.1	16.7	25.1	23.4	20.1	16.7	25.4	23.6	20.3	16.9	25.1	23.3	20.1	16.6	24.9	23.1	19.8	16.4	26.0	24.2	20.9	17.5
	Pr Suc	118.7	120.2	123.1	128.0	125.8	127.2	130.1	135.0	131.9	133.3	136.3	141.2	137.1	138.5	141.5	146.4	142.2	143.6	146.5	151.5	148.6	150.0	152.9	157.8
	Pr Dis	264.9	266.1	267.9	272.4	306.1	307.2	309.0	313.6	349.1	350.3	352.1	356.6	395.5	396.6	398.5	403.0	445.5	446.6	448.5	453.0	498.9	500.0	501.8	506.4
	ODAmps	11.8	11.8	11.8	11.9	13.5	13.5	13.4	13.6	15.4	15.3	15.3	15.4	17.4	17.4	17.3	17.5	19.6	19.6	19.6	19.7	22.3	22.3	22.2	22.4
TotalPower	5,715	5,710	5,697	5,753	6,445	6,440	6,427	6,483	7,260	7,255	7,242	7,298	8,142	8,136	8,124	8,180	9,127	9,122	9,109	9,165	10,283	10,278	10,265	10,321	
2610	Capacity	93,756	95,049	97,785	101,963	92,937	94,230	96,965	101,143	90,546	91,839	94,574	98,752	86,432	87,725	90,460	94,639	81,404	82,698	85,433	89,611	76,815	78,108	80,843	85,021
	S/T	1.0	0.9	0.7	0.6	1.0	0.9	0.7	0.6	1.0	0.9	0.8	0.6	1.0	1.0	0.8	0.6	1.0	1.0	0.8	0.7	1.0	1.0	0.8	0.7
	Evap dT	30.2	28.4	25.2	21.7	30.2	28.4	25.1	21.7	30.4	28.6	25.4	21.9	30.1	28.4	25.1	21.7	29.9	28.1	24.9	21.4	31.0	29.3	26.0	22.5
	Pr Suc	117.7	119.1	122.0	127.0	124.7	126.1	129.1	134.0	130.8	132.3	135.2	140.1	136.0	137.5	140.4	145.3	141.1	142.6	145.5	150.4	147.5	148.9	151.9	156.8
	Pr Dis	262.7	263.9	265.7	270.2	303.8	305.0	306.8	311.3	346.9	348.0	349.9	354.4	393.3	394.4	396.2	400.8	443.3	444.4	446.3	450.8	496.7	497.8	499.6	504.2
	ODAmps	11.7	11.7	11.7	11.8	13.4	13.4	13.3	13.5	15.3	15.2	15.2	15.3	17.3	17.3	17.2	17.4	19.5	19.5	19.5	19.6	22.2	22.2	22.1	22.3
TotalPower	5,674	5,668	5,655	5,711	6,404	6,398	6,385	6,441	7,219	7,213	7,200	7,256	8,100	8,095	8,082	8,138	9,086	9,080	9,068	9,123	10,242	10,236	10,223	10,279	
85	Capacity	94,706	96,000	98,735	102,913	93,887	95,180	97,915	102,093	91,496	92,789	95,524	99,702	87,382	88,675	91,411	95,589	82,354	83,648	86,383	90,561	77,765	79,058	81,793	85,972
	S/T	1.0	0.9	0.8	0.6	1.0	0.9	0.8	0.6	1.0	0.9	0.8	0.7	1.0	1.0	0.8	0.7	1.0	1.0	0.8	0.7	1.0	1.0	0.9	0.7
	Evap dT	29.4	27.6	24.3	20.9	29.3	27.6	24.3	20.9	29.6	27.8	24.5	21.1	29.3	27.5	24.2	20.8	29.1	27.3	24.0	20.6	30.2	28.4	25.1	21.7
	Pr Suc	119.0	120.5	123.4	128.3	126.0	127.5	130.4	135.3	132.2	133.6	136.5	141.4	137.4	138.8	141.7	146.6	142.5	143.9	146.8	151.7	148.8	150.3	153.2	158.1
	Pr Dis	264.5	265.6	267.4	272.0	305.6	306.7	308.5	313.1	348.7	349.8	351.6	356.2	395.0	396.2	398.0	402.5	445.0	446.2	448.0	452.5	498.4	499.5	501.4	505.9
	ODAmps	11.8	11.8	11.7	11.9	13.5	13.4	13.4	13.5	15.3	15.3	15.3	15.4	17.3	17.3	17.3	17.4	19.6	19.6	19.6	19.7	22.2	22.2	22.2	22.3
TotalPower	5,704	5,698	5,685	5,741	6,434	6,428	6,415	6,471	7,248	7,243	7,230	7,286	8,130	8,125	8,112	8,168	9,116	9,110	9,097	9,153	10,272	10,266	10,253	10,309	
3190	Capacity	95,804	97,097	99,833	104,011	94,984	96,278	99,013	103,191	92,593	93,887	96,622	100,800	88,480	89,773	92,508	96,687	83,452	84,746	87,481	91,659	78,863	80,156	82,891	87,069
	S/T	1.0	0.9	0.8	0.7	1.0	0.9	0.8	0.7	1.0	1.0	0.8	0.7	1.0	1.0	0.8	0.7	1.0	1.0	0.9	0.7	1.0	1.0	0.9	0.8
	Evap dT	28.6	26.9	23.6	20.2	28.6	26.8	23.5	20.1	28.8	27.1	23.8	20.4	28.6	26.8	23.5	20.1	28.3	26.6	23.3	19.9	29.4	27.7	24.4	21.0
	Pr Suc	120.5	121.9	124.8	129.7	127.5	128.9	131.8	136.8	133.6	135.1	138.0	142.9	138.8	140.2	143.2	148.1	143.9	145.3	148.3	153.2	150.3	151.7	154.7	159.6
	Pr Dis	266.2	267.3	269.1	273.7	307.3	308.4	310.2	314.8	350.3	351.5	353.3	357.9	396.7	397.9	399.7	404.2	446.7	447.9	449.7	454.2	500.1	501.2	503.1	507.6
	ODAmps	11.8	11.8	11.8	11.9	13.5	13.5	13.5	13.6	15.4	15.4	15.3	15.5	17.4	17.4	17.4	17.5	19.7	19.6	19.6	19.7	22.3	22.3	22.3	22.4
TotalPower	5,729	5,724	5,711	5,767	6,459	6,454	6,441	6,497	7,274	7,269	7,256	7,312	8,156	8,150	8,138	8,194	9,141	9,136	9,123	9,179	10,297	10,292	10,279	10,335	

IDB: Entering Indoor Dry Bulb Temperature
 High and low pressures are measured at the liquid and suction service valves.
 Shaded area reflects AHRI conditions
 kW=Total system power
 Amps = outdoor unit amps (comp.+fan)

EXPANDED COOLING DATA — DZ14XA1203A*/DAX01203A*

IDB	AIRFLOW	OUTDOOR AMBIENT TEMPERATURE												ENTERING INDOOR WET BULB TEMPERATURE											
		65°F				75°F				85°F				95°F				105°F				115°F			
		59	63	67	71	59	63	67	71	59	63	67	71	59	63	67	71	59	63	67	71	59	63	67	71
70	Capacity	117,271	118,324	122,419	-	116,224	117,876	121,372	-	113,169	114,821	118,316	-	107,912	109,565	113,060	-	101,488	103,141	106,636	-	95,624	97,276	100,771	-
	S/T	0.6	0.5	0.4	-	0.6	0.5	0.4	-	0.6	0.6	0.4	-	0.6	0.6	0.4	-	0.7	0.6	0.5	-	1.0	0.6	0.5	-
	Evap dT	18.9	17.1	13.8	-	18.8	17.1	13.8	-	19.1	17.3	14.0	-	18.8	17.0	13.7	-	18.6	16.8	13.5	-	19.7	17.9	14.6	-
	Pr-Suc	117.8	119.3	122.3	-	125.0	126.4	129.4	-	131.2	132.7	135.7	-	136.5	138.0	141.0	-	141.7	143.2	146.2	-	148.2	149.7	152.7	-
	Pr-Dis	281.0	282.2	284.1	-	325.2	326.4	328.4	-	371.6	372.8	374.8	-	421.5	422.7	424.7	-	475.4	476.6	478.5	-	532.8	534.0	536.0	-
	ODAmps	28.2	28.2	28.1	-	32.4	32.3	32.3	-	37.0	37.0	36.9	-	42.0	42.0	41.9	-	47.6	47.6	47.5	-	54.2	54.1	54.1	-
	TotalPower	7,323	7,316	7,301	-	8,229	8,222	8,207	-	9,241	9,234	9,218	-	10,336	10,328	10,313	-	11,559	11,552	11,536	-	12,994	12,987	12,971	-
	Capacity	118,518	120,171	123,666	-	117,471	119,123	122,619	-	114,416	116,068	119,563	-	109,159	110,812	114,307	-	102,735	104,388	107,883	-	96,871	98,523	102,018	-
	S/T	0.6	0.6	0.4	-	0.6	0.6	0.4	-	0.7	0.6	0.5	-	0.7	0.6	0.5	-	0.7	0.6	0.5	-	1.0	0.7	0.6	-
	Evap dT	18.0	16.3	13.0	-	18.0	16.2	12.9	-	18.2	16.5	13.2	-	18.0	16.2	12.9	-	17.7	16.0	12.7	-	18.8	17.1	13.8	-
Pr-Suc	119.2	120.7	123.7	-	126.4	127.8	130.8	-	132.6	134.1	137.1	-	137.9	139.4	142.4	-	143.1	144.6	147.6	-	149.6	151.1	154.1	-	
Pr-Dis	282.9	284.1	286.0	-	327.1	328.3	330.3	-	373.5	374.7	376.7	-	423.4	424.6	426.6	-	477.2	478.5	480.4	-	534.7	535.9	537.9	-	
ODAmps	28.4	28.4	28.3	-	32.5	32.5	32.4	-	37.2	37.1	37.1	-	42.2	42.1	42.1	-	47.8	47.7	47.7	-	54.3	54.3	54.2	-	
TotalPower	7,361	7,354	7,338	-	8,267	8,260	8,244	-	9,278	9,271	9,256	-	10,373	10,366	10,350	-	11,596	11,589	11,573	-	13,031	13,024	13,008	-	
Capacity	119,962	121,615	125,110	-	118,915	120,568	124,063	-	115,860	117,512	121,007	-	110,603	112,256	115,751	-	104,180	105,832	109,327	-	98,315	99,967	103,463	-	
S/T	0.7	0.6	0.5	-	0.7	0.6	0.5	-	0.7	0.6	0.5	-	0.7	0.6	0.5	-	1.0	0.7	0.5	-	1.0	0.7	0.6	-	
Evap dT	17.3	15.5	12.2	-	17.3	15.5	12.2	-	17.5	15.7	12.4	-	17.2	15.5	12.2	-	17.0	15.2	11.9	-	18.1	16.3	13.0	-	
Pr-Suc	120.7	122.2	125.2	-	127.9	129.3	132.3	-	134.1	135.6	138.6	-	139.4	140.9	143.9	-	144.6	146.1	149.1	-	151.1	152.6	155.6	-	
Pr-Dis	284.7	285.9	287.9	-	329.0	330.2	332.1	-	375.3	376.5	378.5	-	425.3	426.5	428.4	-	479.1	480.3	482.3	-	536.5	537.8	539.7	-	
ODAmps	28.5	28.5	28.4	-	32.7	32.6	32.6	-	37.3	37.3	37.2	-	42.3	42.3	42.2	-	47.9	47.9	47.8	-	54.5	54.4	54.4	-	
TotalPower	7,392	7,385	7,370	-	8,298	8,291	8,276	-	9,310	9,303	9,287	-	10,404	10,397	10,382	-	11,627	11,620	11,605	-	13,062	13,055	13,040	-	
75	Capacity	117,339	118,992	122,487	127,826	116,292	117,945	121,440	126,778	113,237	114,889	118,385	123,723	107,981	109,633	113,128	118,467	101,557	103,209	106,704	112,043	95,692	97,345	100,840	106,178
	S/T	0.7	0.7	0.5	0.4	0.7	0.7	0.5	0.4	0.8	0.7	0.5	0.4	1.0	0.7	0.6	0.4	1.0	0.7	0.6	0.5	1.0	0.8	0.6	0.5
	Evap dT	22.7	21.0	17.7	14.3	22.7	20.9	17.6	14.2	22.9	21.2	17.9	14.5	22.7	20.9	17.6	14.2	22.4	20.7	17.4	14.0	23.6	21.8	18.5	15.1
	Pr-Suc	117.8	119.3	122.3	127.3	125.0	126.4	129.4	134.4	131.3	132.7	135.7	140.7	136.6	138.0	141.0	146.0	141.7	143.2	146.2	151.2	148.3	149.7	152.7	157.7
	Pr-Dis	281.2	282.4	284.4	289.3	325.5	326.7	328.7	333.5	371.8	373.1	375.0	379.9	421.8	423.0	425.0	429.8	475.6	476.8	478.8	483.7	533.1	534.3	536.2	541.1
	ODAmps	28.2	28.2	28.1	28.4	32.3	32.3	32.2	32.6	37.0	36.9	36.9	37.2	42.0	41.9	41.9	42.2	47.6	47.5	47.5	47.8	54.1	54.1	54.0	54.4
	TotalPower	7,317	7,310	7,295	7,364	8,224	8,216	8,201	8,270	9,235	9,228	9,212	9,282	10,330	10,323	10,307	10,376	11,553	11,546	11,530	11,599	12,988	12,980	12,965	13,034
	Capacity	118,586	120,239	123,734	129,073	117,539	119,192	122,687	128,025	114,484	116,136	119,632	124,970	109,228	110,880	114,375	119,714	102,804	104,456	107,951	113,290	96,939	98,592	102,087	107,425
	S/T	0.8	0.7	0.6	0.4	0.8	0.7	0.6	0.4	0.8	0.7	0.6	0.5	1.0	0.7	0.6	0.5	1.0	0.8	0.6	0.5	1.0	0.8	0.7	0.5
	Evap dT	21.9	20.1	16.9	13.4	21.9	20.1	16.8	13.4	22.1	20.3	17.1	13.6	21.8	20.1	16.8	13.4	21.6	19.8	16.5	13.1	22.7	21.0	17.7	14.2
Pr-Suc	119.2	120.7	123.7	128.7	126.4	127.8	130.8	135.8	132.6	134.1	137.1	142.1	137.9	139.4	142.4	147.4	143.1	144.6	147.6	152.6	149.6	151.1	154.1	159.1	
Pr-Dis	283.1	284.3	286.3	291.2	327.4	328.6	330.6	335.4	373.7	374.9	376.9	381.8	423.7	424.9	426.9	431.7	477.5	478.7	480.7	485.6	534.9	536.2	538.1	543.0	
ODAmps	28.4	28.3	28.3	28.6	32.5	32.5	32.4	32.7	37.1	37.1	37.0	37.3	42.1	42.1	42.0	42.4	47.7	47.7	47.6	48.0	54.3	54.3	54.2	54.5	
TotalPower	7,354	7,347	7,332	7,401	8,260	8,253	8,238	8,307	9,272	9,265	9,249	9,319	10,367	10,359	10,344	10,413	11,590	11,582	11,567	11,636	13,024	13,017	13,002	13,071	
Capacity	120,030	121,683	125,178	130,517	118,983	120,636	124,131	129,470	115,928	117,581	121,076	126,414	110,672	112,324	115,819	121,158	104,248	105,900	109,395	114,734	98,383	100,036	103,531	108,870	
S/T	0.8	0.7	0.6	0.5	0.8	0.7	0.6	0.5	1.0	0.8	0.6	0.5	1.0	0.8	0.6	0.5	1.0	0.8	0.7	0.5	1.0	0.8	0.7	0.6	
Evap dT	21.2	19.4	16.1	12.7	21.1	19.4	16.1	12.7	21.4	19.6	16.3	12.9	21.1	19.4	16.1	12.6	20.9	19.1	15.8	12.4	22.0	20.2	16.9	13.5	
Pr-Suc	120.7	122.2	125.2	130.2	127.9	129.3	132.3	137.3	134.2	135.6	138.6	143.6	139.4	140.9	143.9	148.9	144.6	146.1	149.1	154.1	151.1	152.6	155.6	160.6	
Pr-Dis	284.9	286.2	288.1	293.0	329.2	330.4	332.4	337.3	375.6	376.8	378.8	383.7	425.5	426.7	428.7	433.6	479.3	480.6	482.5	487.4	536.8	538.0	540.0	544.9	
ODAmps	28.5	28.5	28.4	28.7	32.7	32.6	32.5	32.9	37.3	37.2	37.2	37.5	42.3	42.3	42.2	42.5	47.9	47.9	47.8	48.1	54.5	54.4	54.4	54.7	
TotalPower	7,386	7,379	7,364	7,433	8,292	8,285	8,270	8,339	9,304	9,297	9,281	9,351	10,399	10,391	10,376	10,445	11,622	11,614	11,599	11,668	13,056	13,049	13,034	13,103	

IDB: Entering Indoor Dry Bulb Temperature
 High and low pressures are measured at the liquid and suction service valves.
 Shaded area reflects ACCA (TVA) conditions
 kW=Total system power
 Amps = outdoor unit amps (Comp.+fan)

EXPANDED COOLING DATA — DZ14XA1203A*/DAX01203A* (CONT.)

IDB	AIRFLOW	OUTDOOR AMBIENT TEMPERATURE																							
		65°F				75°F				85°F				95°F				105°F				115°F			
		59	63	67	71	59	63	67	71	59	63	67	71	59	63	67	71	59	63	67	71	59	63	67	71
3447	Capacity	117,946	119,598	123,093	128,432	116,898	118,551	122,046	127,385	113,843	115,496	118,991	124,329	108,587	110,239	113,734	119,073	102,163	103,815	107,310	112,649	96,298	97,951	101,446	106,785
	S/T	0.8	0.8	0.6	0.5	1.0	0.8	0.6	0.5	1.0	0.8	0.7	0.5	1.0	0.8	0.7	0.6	1.0	0.8	0.7	0.6	1.0	1.0	1.0	0.8
	Evap dT	26.7	24.9	21.6	18.2	26.6	24.8	21.8	18.4	26.6	25.1	21.8	18.4	26.6	24.8	21.5	18.1	26.4	24.6	21.3	17.9	27.5	25.7	22.4	19.0
	Pr-Suc	118.4	119.8	122.8	127.8	125.5	127.0	130.0	135.0	131.8	133.2	136.2	141.2	137.1	138.5	141.5	146.5	142.3	143.7	146.7	151.7	148.8	150.2	153.2	158.2
	Pr-Dis	281.7	282.9	284.9	289.8	326.0	327.2	329.2	334.1	372.4	373.6	375.5	380.4	422.3	423.5	425.5	430.4	476.1	477.3	479.3	484.2	533.6	534.8	536.8	541.6
	ODAmps	28.2	28.2	28.1	28.4	32.4	32.3	32.3	32.6	37.0	37.0	36.9	37.2	42.0	42.0	41.9	42.2	47.6	47.6	47.5	47.8	54.2	54.1	54.1	54.4
	TotalPower	7,322	7,315	7,300	7,369	8,228	8,221	8,206	8,275	9,240	9,233	9,217	9,287	10,334	10,327	10,312	10,381	11,557	11,550	11,535	11,604	12,992	12,985	12,970	13,039
	Capacity	119,193	120,845	124,340	129,679	118,145	119,798	123,293	128,632	115,090	116,743	120,238	125,576	109,834	111,486	114,981	120,320	103,410	105,062	108,557	113,896	97,545	99,198	102,693	108,032
	S/T	0.9	0.8	0.7	0.5	1.0	0.8	0.7	0.6	1.0	0.8	0.7	0.6	1.0	0.9	0.7	0.6	1.0	0.9	0.8	0.6	1.0	1.0	1.0	0.8
	Evap dT	25.8	24.1	20.8	17.3	25.8	24.0	20.7	17.3	26.0	24.3	21.0	17.5	25.8	24.0	20.7	17.3	25.5	23.8	20.5	17.0	26.6	24.9	21.6	18.1
80 3830	Pr-Suc	119.8	121.2	124.2	129.2	126.9	128.4	131.3	136.4	133.2	134.6	137.6	142.6	138.5	139.9	142.9	147.9	143.7	145.1	148.1	153.1	150.2	151.6	154.6	159.6
	Pr-Dis	283.6	284.8	286.8	291.7	327.9	329.1	331.1	336.0	374.2	375.5	377.4	382.3	424.2	425.4	427.4	432.3	478.0	479.2	481.2	486.1	535.5	536.7	538.7	543.5
	ODAmps	28.4	28.3	28.3	28.6	32.5	32.5	32.4	32.7	37.2	37.1	37.1	37.4	42.2	42.1	42.1	42.4	47.8	47.7	47.7	48.0	54.3	54.3	54.2	54.5
	TotalPower	7,359	7,352	7,336	7,406	8,265	8,258	8,243	8,312	9,277	9,270	9,254	9,323	10,371	10,364	10,349	10,418	11,594	11,587	11,572	11,641	13,029	13,022	13,007	13,076
	Capacity	120,637	122,289	125,784	131,123	119,589	121,242	124,737	130,076	116,534	118,187	121,682	127,021	111,278	112,930	116,425	121,764	104,854	106,506	110,001	115,340	98,989	100,642	104,137	109,476
	S/T	0.9	0.8	0.7	0.6	1.0	0.8	0.7	0.6	1.0	0.9	0.7	0.6	1.0	0.9	0.8	0.6	1.0	1.0	1.0	0.8	1.0	1.0	1.0	0.8
	Evap dT	25.1	23.3	20.0	16.6	25.0	23.3	20.0	16.6	25.3	23.5	20.2	16.8	25.0	23.3	20.0	16.5	24.8	23.0	19.7	16.3	25.9	24.1	20.8	17.4
	Pr-Suc	121.3	122.7	125.7	130.7	128.4	129.9	132.9	137.9	134.7	136.1	139.1	144.1	140.0	141.4	144.4	149.4	145.2	146.6	149.6	154.6	151.7	153.1	156.1	161.1
	Pr-Dis	285.5	286.7	288.7	293.5	329.7	330.9	332.9	337.8	376.1	377.3	379.3	384.2	426.0	427.2	429.2	434.1	479.9	481.1	483.0	487.9	537.3	538.5	540.5	545.4
	ODAmps	28.5	28.5	28.4	28.7	32.7	32.6	32.6	32.9	37.3	37.3	37.2	37.5	42.3	42.3	42.2	42.5	47.9	47.9	47.8	48.1	54.5	54.4	54.4	54.7
TotalPower	7,391	7,384	7,368	7,438	8,297	8,290	8,275	8,344	9,309	9,302	9,286	9,355	10,403	10,396	10,381	10,450	11,626	11,619	11,604	11,673	13,061	13,054	13,038	13,108	

3447	Capacity	119,917	121,569	125,065	130,404	118,870	120,522	124,017	129,356	115,814	117,467	120,962	126,301	110,558	112,211	115,706	121,044	104,134	105,787	109,282	114,620	98,270	99,922	103,417	108,756
	S/T	1.0	0.9	0.7	0.6	1.0	0.9	0.7	0.6	1.0	0.9	0.8	0.6	1.0	1.0	0.8	0.6	1.0	1.0	0.8	0.7	1.0	1.0	0.9	0.7
	Evap dT	30.1	28.4	25.1	21.6	30.1	28.3	25.0	21.6	30.3	28.6	25.3	21.8	30.1	28.3	25.0	21.6	29.8	28.1	24.8	21.3	30.9	29.2	25.9	22.4
	Pr-Suc	120.1	121.6	124.6	129.6	127.3	128.7	131.7	136.7	133.5	135.0	138.0	143.0	138.8	140.3	143.3	148.3	144.0	145.5	148.5	153.5	150.5	152.0	155.0	160.0
	Pr-Dis	283.0	284.3	286.2	291.1	327.3	328.5	330.5	335.4	373.7	374.9	376.9	381.8	423.6	424.8	426.8	431.7	477.4	478.7	480.6	485.5	534.9	536.1	538.1	543.0
	ODAmps	28.3	28.3	28.2	28.5	32.4	32.4	32.3	32.7	37.1	37.0	37.0	37.3	42.1	42.0	42.0	42.3	47.7	47.6	47.6	47.9	54.2	54.2	54.1	54.5
	TotalPower	7,340	7,332	7,317	7,386	8,246	8,239	8,223	8,292	9,257	9,250	9,235	9,304	10,352	10,345	10,329	10,399	11,575	11,568	11,552	11,621	13,010	13,003	12,987	13,056
	Capacity	121,164	122,816	126,312	131,650	120,117	121,769	125,264	130,603	117,061	118,714	122,209	127,548	111,805	113,458	116,953	122,291	105,381	107,034	110,529	115,867	99,517	101,169	104,664	110,003
	S/T	1.0	0.9	0.8	0.6	1.0	0.9	0.8	0.7	1.0	1.0	0.8	0.7	1.0	1.0	0.8	0.7	1.0	1.0	0.9	0.7	1.0	1.0	0.9	0.8
	Evap dT	29.3	27.5	24.2	20.8	29.2	27.5	24.2	20.8	29.5	27.7	24.4	21.0	29.2	27.5	24.2	20.7	29.0	27.2	23.9	20.5	30.1	28.3	25.0	21.6
85 3830	Pr-Suc	121.5	123.0	126.0	131.0	128.7	130.1	133.1	138.1	134.9	136.4	139.4	144.4	140.2	141.7	144.7	149.7	145.4	146.9	149.9	154.9	151.9	153.4	156.4	161.4
	Pr-Dis	284.9	286.2	288.1	293.0	329.2	330.4	332.4	337.3	375.6	376.8	378.8	383.6	425.5	426.7	428.7	433.6	479.3	480.5	482.5	487.4	536.8	538.0	540.0	544.9
	ODAmps	28.5	28.4	28.4	28.7	32.6	32.6	32.5	32.8	37.2	37.2	37.1	37.5	42.2	42.2	42.1	42.5	47.8	47.8	47.7	48.1	54.4	54.4	54.3	54.6
	TotalPower	7,376	7,369	7,354	7,423	8,283	8,275	8,260	8,329	9,294	9,287	9,271	9,341	10,389	10,382	10,366	10,435	11,612	11,604	11,589	11,658	13,046	13,039	13,024	13,093
	Capacity	122,608	124,261	127,756	133,094	121,561	123,213	126,708	132,047	118,506	120,158	123,653	128,992	113,249	114,902	118,397	123,736	106,825	108,478	111,973	117,312	100,961	102,613	106,108	111,447
	S/T	1.0	0.9	0.8	0.7	1.0	0.9	0.8	0.7	1.0	1.0	0.8	0.7	1.0	1.0	0.9	0.7	1.0	1.0	0.9	0.7	1.0	1.0	0.9	0.8
	Evap dT	28.6	26.8	23.5	20.1	28.5	26.7	23.4	20.0	28.8	27.0	23.7	20.3	28.5	26.7	23.4	20.0	28.3	26.5	23.2	19.8	29.4	27.6	24.3	20.9
	Pr-Suc	123.0	124.5	127.5	132.5	130.2	131.6	134.6	139.6	136.4	137.9	140.9	145.9	141.7	143.2	146.2	151.2	146.9	148.4	151.4	156.4	153.4	154.9	157.9	162.9
	Pr-Dis	286.8	288.0	290.0	294.9	331.0	332.3	334.2	339.1	377.4	378.6	380.6	385.5	427.3	428.6	430.5	435.4	481.2	482.4	484.4	489.3	538.6	539.8	541.8	546.7
	ODAmps	28.6	28.6	28.5	28.8	32.8	32.7	32.7	33.0	37.4	37.4	37.3	37.6	42.4	42.4	42.3	42.6	48.0	48.0	47.9	48.2	54.6	54.5	54.5	54.8
TotalPower	7,408	7,401	7,386	7,455	8,315	8,307	8,292	8,361	9,326	9,319	9,303	9,373	10,421	10,413	10,398	10,467	11,644	11,636	11,621	11,690	13,078	13,071	13,056	13,125	

IDB: Entering Indoor Dry Bulb Temperature
 High and low pressures are measured at the liquid and suction service valves.
 Shaded area reflects AHRI conditions
 kW=Total system power
 Amps = outdoor unit amps (comp.+fan)

EXPANDED COOLING DATA — DZ14XA1204A*/DAX01204A*

IDB	AIRFLOW	OUTDOOR AMBIENT TEMPERATURE												ENTERING INDOOR WET BULB TEMPERATURE											
		65°F				75°F				85°F				95°F				105°F				115°F			
		59	63	67	71	59	63	67	71	59	63	67	71	59	63	67	71	59	63	67	71	59	63	67	71
3447	Capacity	117,271	118,324	122,419	-	116,224	117,876	121,372	-	113,169	114,821	118,316	-	107,912	109,565	113,060	-	101,488	103,141	106,636	-	95,624	97,276	100,771	-
	S/T	0.6	0.5	0.4	-	0.6	0.5	0.4	-	0.6	0.6	0.4	-	0.6	0.6	0.4	-	0.7	0.6	0.5	-	1.0	0.6	0.5	-
	Evap dT	18.9	17.1	13.8	-	18.8	17.1	13.8	-	19.1	17.3	14.0	-	18.8	17.0	13.7	-	18.6	16.8	13.5	-	19.7	17.9	14.6	-
	Pr-Suc	117.8	119.3	122.3	-	125.0	126.4	129.4	-	131.2	132.7	135.7	-	136.5	138.0	141.0	-	141.7	143.2	146.2	-	148.2	149.7	152.7	-
	Pr-Dis	281.0	282.2	284.1	-	325.2	326.4	328.4	-	371.6	372.8	374.8	-	421.5	422.7	424.7	-	475.4	476.6	478.5	-	532.8	534.0	536.0	-
	ODAmps	14.1	14.1	14.1	-	16.2	16.2	16.1	-	18.5	18.5	18.4	-	21.0	21.0	21.0	-	23.8	23.8	23.7	-	27.1	27.1	27.0	-
TotalPower	7,323	7,316	7,301	-	8,229	8,222	8,207	-	9,241	9,234	9,218	-	10,336	10,328	10,313	-	11,559	11,551	11,536	-	12,993	12,986	12,971	-	
70	Capacity	118,518	120,171	123,666	-	117,471	119,123	122,619	-	114,416	116,068	119,563	-	109,159	110,812	114,307	-	102,735	104,388	107,883	-	96,871	98,523	102,018	-
	S/T	0.6	0.6	0.4	-	0.6	0.6	0.4	-	0.7	0.6	0.5	-	0.7	0.6	0.5	-	0.7	0.6	0.5	-	1.0	0.7	0.6	-
	Evap dT	18.0	16.3	13.0	-	18.0	16.2	12.9	-	18.2	16.5	13.2	-	18.0	16.2	12.9	-	17.7	16.0	12.7	-	18.8	17.1	13.8	-
	Pr-Suc	119.2	120.7	123.7	-	126.4	127.8	130.8	-	132.6	134.1	137.1	-	137.9	139.4	142.4	-	143.1	144.6	147.6	-	149.6	151.1	154.1	-
	Pr-Dis	282.9	284.1	286.0	-	327.1	328.3	330.3	-	373.5	374.7	376.7	-	423.4	424.6	426.6	-	477.2	478.5	480.4	-	534.7	535.9	537.9	-
	ODAmps	14.2	14.2	14.1	-	16.3	16.3	16.2	-	18.6	18.6	18.5	-	21.1	21.1	21.0	-	23.9	23.9	23.8	-	27.2	27.2	27.1	-
TotalPower	7,360	7,353	7,338	-	8,266	8,259	8,244	-	9,278	9,271	9,255	-	10,372	10,365	10,350	-	11,595	11,588	11,573	-	13,030	13,023	13,008	-	
4213	Capacity	119,962	121,615	125,110	-	118,915	120,568	124,063	-	115,860	117,512	121,007	-	110,603	112,256	115,751	-	104,180	105,832	109,327	-	98,315	99,967	103,463	-
	S/T	0.7	0.6	0.5	-	0.7	0.6	0.5	-	0.7	0.6	0.5	-	0.7	0.6	0.5	-	1.0	0.7	0.5	-	1.0	0.7	0.6	-
	Evap dT	17.3	15.5	12.2	-	17.3	15.5	12.2	-	17.5	15.7	12.4	-	17.2	15.5	12.2	-	17.0	15.2	11.9	-	18.1	16.3	13.0	-
	Pr-Suc	120.7	122.2	125.2	-	127.9	129.3	132.3	-	134.1	135.6	138.6	-	139.4	140.9	143.9	-	144.6	146.1	149.1	-	151.1	152.6	155.6	-
	Pr-Dis	284.7	285.9	287.9	-	329.0	330.2	332.1	-	375.3	376.5	378.5	-	425.3	426.5	428.4	-	479.1	480.3	482.3	-	536.5	537.8	539.7	-
	ODAmps	14.3	14.2	14.2	-	16.3	16.3	16.3	-	18.7	18.6	18.6	-	21.2	21.1	21.1	-	24.0	23.9	23.9	-	27.2	27.2	27.2	-
TotalPower	7,392	7,385	7,370	-	8,298	8,291	8,276	-	9,310	9,303	9,287	-	10,404	10,397	10,382	-	11,627	11,620	11,605	-	13,062	13,055	13,040	-	
3447	Capacity	117,339	118,992	122,487	127,826	116,292	117,945	121,440	126,778	113,237	114,889	118,385	123,723	107,981	109,633	113,128	118,467	101,557	103,209	106,704	112,043	95,692	97,345	100,840	106,178
	S/T	0.7	0.7	0.5	0.4	0.7	0.7	0.5	0.4	0.8	0.7	0.5	0.4	1.0	0.7	0.6	0.4	1.0	0.7	0.6	0.5	1.0	0.8	0.6	0.5
	Evap dT	22.7	21.0	17.7	14.3	22.7	20.9	17.6	14.2	22.9	21.2	17.9	14.5	22.7	20.9	17.6	14.2	22.4	20.7	17.4	14.0	23.6	21.8	18.5	15.1
	Pr-Suc	117.8	119.3	122.3	127.3	125.0	126.4	129.4	134.4	131.3	132.7	135.7	140.7	136.6	138.0	141.0	146.0	141.7	143.2	146.2	151.2	148.3	149.7	152.7	157.7
	Pr-Dis	281.2	282.4	284.4	289.3	325.5	326.7	328.7	333.5	371.8	373.1	375.0	379.9	421.8	423.0	425.0	429.8	475.6	476.8	478.8	483.7	533.1	534.3	536.2	541.1
	ODAmps	14.1	14.1	14.0	14.2	16.2	16.2	16.1	16.3	18.5	18.5	18.4	18.6	21.0	21.0	20.9	21.1	23.8	23.8	23.7	23.9	27.1	27.1	27.0	27.2
TotalPower	7,317	7,310	7,295	7,364	8,224	8,216	8,201	8,270	9,235	9,228	9,212	9,282	10,330	10,323	10,307	10,376	11,553	11,546	11,530	11,599	12,988	12,980	12,965	13,034	
75	Capacity	118,586	120,239	123,734	129,073	117,539	119,192	122,687	128,025	114,484	116,136	119,632	124,970	109,228	110,880	114,375	119,714	102,804	104,456	107,951	113,290	96,939	98,592	102,087	107,425
	S/T	0.8	0.7	0.6	0.4	0.8	0.7	0.6	0.4	0.8	0.7	0.6	0.5	1.0	0.7	0.6	0.5	1.0	0.8	0.6	0.5	1.0	0.8	0.7	0.5
	Evap dT	21.9	20.1	16.9	13.4	21.9	20.1	16.8	13.4	22.1	20.3	17.1	13.6	21.8	20.1	16.8	13.4	21.6	19.8	16.5	13.1	22.7	21.0	17.7	14.2
	Pr-Suc	119.2	120.7	123.7	128.7	126.4	127.8	130.8	135.8	132.6	134.1	137.1	142.1	137.9	139.4	142.4	147.4	143.1	144.6	147.6	152.6	149.6	151.1	154.1	159.1
	Pr-Dis	283.1	284.3	286.3	291.2	327.4	328.6	330.6	335.4	373.7	374.9	376.9	381.8	423.7	424.9	426.9	431.7	477.5	478.7	480.7	485.6	534.9	536.2	538.1	543.0
	ODAmps	14.2	14.2	14.1	14.3	16.3	16.2	16.2	16.4	18.6	18.6	18.5	18.7	21.1	21.1	21.0	21.2	23.9	23.9	23.8	24.0	27.2	27.1	27.1	27.3
TotalPower	7,354	7,347	7,332	7,401	8,260	8,253	8,238	8,307	9,272	9,265	9,249	9,319	10,367	10,359	10,344	10,413	11,590	11,582	11,567	11,636	13,024	13,017	13,002	13,071	
4213	Capacity	120,030	121,683	125,178	130,517	118,983	120,636	124,131	129,470	115,928	117,581	121,076	126,414	110,672	112,324	115,819	121,158	104,248	105,900	109,395	114,734	98,383	100,036	103,531	108,870
	S/T	0.8	0.7	0.6	0.5	0.8	0.7	0.6	0.5	1.0	0.8	0.6	0.5	1.0	0.8	0.6	0.5	1.0	0.8	0.7	0.5	1.0	0.8	0.7	0.6
	Evap dT	21.2	19.4	16.1	12.7	21.1	19.4	16.1	12.7	21.4	19.6	16.3	12.9	21.1	19.4	16.1	12.6	20.9	19.1	15.8	12.4	22.0	20.2	16.9	13.5
	Pr-Suc	120.7	122.2	125.2	130.2	127.9	129.3	132.3	137.3	134.2	135.6	138.6	143.6	139.4	140.9	143.9	148.9	144.6	146.1	149.1	154.1	151.1	152.6	155.6	160.6
	Pr-Dis	284.9	286.2	288.1	293.0	329.2	330.4	332.4	337.3	375.6	376.8	378.8	383.7	425.5	426.7	428.7	433.6	479.3	480.6	482.5	487.4	536.8	538.0	540.0	544.9
	ODAmps	14.3	14.2	14.2	14.4	16.3	16.3	16.3	16.4	18.6	18.6	18.6	18.7	21.1	21.1	21.1	21.3	23.9	23.9	23.9	24.1	27.2	27.2	27.2	27.3
TotalPower	7,386	7,379	7,364	7,433	8,292	8,285	8,270	8,339	9,304	9,297	9,281	9,351	10,399	10,391	10,376	10,445	11,622	11,614	11,599	11,668	13,056	13,049	13,034	13,103	

IDB: Entering Indoor Dry Bulb Temperature
 High and low pressures are measured at the liquid and suction service valves.
 Shaded area reflects ACCA (TVA) conditions
 kW=Total system power
 Amps = outdoor unit amps (comp.+fan)

EXPANDED COOLING DATA — DZ14XA1204A*/DAX01204A* (CONT.)

IDB	AIRFLOW	OUTDOOR AMBIENT TEMPERATURE																							
		65°F				75°F				85°F				95°F				105°F				115°F			
		59	63	67	71	59	63	67	71	59	63	67	71	59	63	67	71	59	63	67	71	59	63	67	71
3447	Capacity	117,946	119,598	123,093	128,432	116,898	118,551	122,046	127,385	113,843	115,496	118,991	124,329	108,587	110,239	113,734	119,073	102,163	103,815	107,310	112,649	96,298	97,951	101,446	106,785
	S/T	0.8	0.8	0.6	0.5	1.0	0.8	0.6	0.5	1.0	0.8	0.7	0.5	1.0	0.8	0.7	0.6	1.0	0.8	0.7	0.6	1.0	1.0	1.0	0.8
	Evap dT	26.7	24.9	21.6	18.2	26.6	24.8	21.8	18.4	26.6	25.1	21.8	18.4	26.6	24.8	21.5	18.1	26.4	24.6	21.3	17.9	27.5	25.7	22.4	19.0
	Pr-Suc	118.4	119.8	122.8	127.8	125.5	127.0	130.0	135.0	131.8	133.2	136.2	141.2	137.1	138.5	141.5	146.5	142.3	143.7	146.7	151.7	148.8	150.2	153.2	158.2
	Pr-Dis	281.7	282.9	284.9	289.8	326.0	327.2	329.2	334.1	372.4	373.6	375.5	380.4	422.3	423.5	425.5	430.4	476.1	477.3	479.3	484.2	533.6	534.8	536.8	541.6
ODAmps	14.1	14.1	14.1	14.2	16.2	16.2	16.1	16.3	18.5	18.5	18.4	18.6	21.0	21.0	20.9	21.1	23.8	23.8	23.7	23.9	27.1	27.1	27.0	27.2	
TotalPower	7,323	7,316	7,300	7,369	8,229	8,222	8,206	8,276	9,240	9,233	9,218	9,287	10,335	10,328	10,312	10,382	11,558	11,551	11,535	11,605	12,993	12,986	12,970	13,040	
80	Capacity	119,193	120,845	124,340	129,679	118,145	119,798	123,293	128,632	115,090	116,743	120,238	125,576	109,834	111,487	114,982	120,321	103,410	105,063	108,558	113,897	97,546	99,198	102,693	108,032
	S/T	0.9	0.8	0.7	0.5	1.0	0.8	0.7	0.6	1.0	0.8	0.7	0.6	1.0	0.9	0.7	0.6	1.0	0.9	0.8	0.6	1.0	1.0	1.0	0.8
	Evap dT	25.8	24.1	20.8	17.3	25.8	24.0	20.7	17.3	26.0	24.3	21.0	17.5	25.8	24.0	20.7	17.3	25.5	23.8	20.5	17.0	26.6	24.9	21.6	18.1
	Pr-Suc	119.8	121.2	124.2	129.2	126.9	128.4	131.3	136.4	133.2	134.6	137.6	142.6	138.5	139.9	142.9	147.9	143.7	145.1	148.1	153.1	150.2	151.6	154.6	159.6
	Pr-Dis	283.6	284.8	286.8	291.7	327.9	329.1	331.1	336.0	374.2	375.5	377.4	382.3	424.2	425.4	427.4	432.3	478.0	479.2	481.2	486.1	535.5	536.7	539.7	543.5
ODAmps	14.2	14.2	14.1	14.3	16.3	16.2	16.2	16.4	18.6	18.6	18.5	18.7	21.1	21.1	21.0	21.2	23.9	23.9	23.8	24.0	27.2	27.1	27.1	27.3	
TotalPower	7,359	7,352	7,336	7,406	8,265	8,258	8,243	8,312	9,277	9,270	9,254	9,323	10,371	10,364	10,349	10,418	11,594	11,587	11,572	11,641	13,029	13,022	13,007	13,076	
4213	Capacity	120,637	122,290	125,785	131,123	119,590	121,242	124,737	130,076	116,535	118,187	121,682	127,021	111,278	112,931	116,426	121,765	104,854	106,507	110,002	115,341	98,990	100,642	104,137	109,476
	S/T	0.9	0.8	0.7	0.6	1.0	0.8	0.7	0.6	1.0	0.9	0.7	0.6	1.0	0.9	0.8	0.6	1.0	1.0	0.8	0.6	1.0	1.0	1.0	0.8
	Evap dT	25.1	23.3	20.0	16.6	25.0	23.3	20.0	16.6	25.3	23.5	20.2	16.8	25.0	23.3	20.0	16.5	24.8	23.0	19.7	16.3	25.9	24.1	20.8	17.4
	Pr-Suc	121.3	122.7	125.7	130.7	128.4	129.9	132.9	137.9	134.7	136.1	139.1	144.1	140.0	141.4	144.4	149.4	145.2	146.6	149.6	154.6	151.7	153.1	156.1	161.1
	Pr-Dis	285.5	286.7	288.7	293.5	329.7	330.9	332.9	337.8	376.1	377.3	379.3	384.2	426.0	427.2	429.2	434.1	479.9	481.1	483.0	487.9	537.3	538.5	540.5	545.4
ODAmps	14.3	14.2	14.2	14.4	16.3	16.3	16.3	16.4	18.7	18.6	18.6	18.8	21.2	21.1	21.1	21.3	24.0	23.9	23.9	24.1	27.2	27.2	27.2	27.3	
TotalPower	7,391	7,384	7,368	7,438	8,297	8,290	8,275	8,344	9,309	9,302	9,286	9,355	10,403	10,396	10,381	10,450	11,626	11,619	11,604	11,673	13,061	13,054	13,038	13,108	

3447	Capacity	119,917	121,569	125,065	130,403	118,870	120,522	124,017	129,356	115,814	117,467	120,962	126,301	110,558	112,211	115,706	121,044	104,134	105,787	109,282	114,620	98,270	99,922	103,417	108,756
	S/T	1.0	0.9	0.7	0.6	1.0	0.9	0.7	0.6	1.0	0.9	0.8	0.6	1.0	1.0	0.8	0.6	1.0	1.0	0.8	0.7	1.0	1.0	1.0	0.7
	Evap dT	30.1	28.4	25.1	21.6	30.1	28.3	25.0	21.6	30.3	28.6	25.3	21.8	30.1	28.3	25.0	21.6	29.8	28.1	24.8	21.3	30.9	29.2	25.9	22.4
	Pr-Suc	120.1	121.6	124.6	129.6	127.3	128.7	131.7	136.7	133.5	135.0	138.0	143.0	138.8	140.3	143.3	148.3	144.0	145.5	148.5	153.5	150.5	152.0	155.0	160.0
	Pr-Dis	283.0	284.3	286.2	291.1	327.3	328.5	330.5	335.4	373.7	374.9	376.9	381.8	423.6	424.8	426.8	431.7	477.4	478.7	480.6	485.5	534.9	536.1	538.1	543.0
ODAmps	14.1	14.1	14.1	14.3	16.2	16.2	16.2	16.3	18.5	18.5	18.5	18.6	21.0	21.0	21.0	21.1	23.8	23.8	23.8	23.9	27.1	27.1	27.1	27.2	
TotalPower	7,340	7,332	7,317	7,386	8,246	8,239	8,223	8,292	9,257	9,250	9,235	9,304	10,352	10,345	10,329	10,399	11,575	11,568	11,552	11,621	13,010	13,003	12,987	13,056	
85	Capacity	121,164	122,816	126,312	131,650	120,117	121,769	125,264	130,603	117,061	118,714	122,209	127,548	111,805	113,458	116,953	122,291	105,381	107,034	110,529	115,867	99,517	101,169	104,664	110,003
	S/T	1.0	0.9	0.8	0.6	1.0	0.9	0.8	0.7	1.0	1.0	0.8	0.7	1.0	1.0	0.8	0.7	1.0	1.0	0.9	0.7	1.0	1.0	1.0	0.8
	Evap dT	29.3	27.5	24.2	20.8	29.2	27.5	24.2	20.8	29.5	27.7	24.4	21.0	29.2	27.5	24.2	20.7	29.0	27.2	23.9	20.5	30.1	28.3	25.0	21.6
	Pr-Suc	121.5	123.0	126.0	131.0	128.7	130.1	133.1	138.1	134.9	136.4	139.4	144.4	140.2	141.7	144.7	149.7	145.4	146.9	149.9	154.9	151.9	153.4	156.4	161.4
	Pr-Dis	284.9	286.2	288.1	293.0	329.2	330.4	332.4	337.3	375.6	376.8	378.8	383.6	425.5	426.7	428.7	433.6	479.3	480.5	482.5	487.4	536.8	538.0	540.0	544.9
ODAmps	14.2	14.2	14.2	14.3	16.3	16.3	16.3	16.4	18.6	18.6	18.6	18.7	21.1	21.1	21.1	21.2	23.9	23.9	23.9	24.0	27.2	27.2	27.2	27.3	
TotalPower	7,376	7,369	7,354	7,423	8,283	8,275	8,260	8,329	9,294	9,287	9,271	9,341	10,389	10,382	10,366	10,435	11,612	11,604	11,589	11,658	13,046	13,039	13,024	13,093	
4213	Capacity	122,608	124,261	127,756	133,094	121,561	123,213	126,708	132,047	118,506	120,158	123,653	128,992	113,249	114,902	118,397	123,736	106,825	108,478	111,973	117,312	100,961	102,613	106,108	111,447
	S/T	1.0	0.9	0.8	0.7	1.0	0.9	0.8	0.7	1.0	1.0	0.8	0.7	1.0	1.0	0.9	0.7	1.0	1.0	0.9	0.7	1.0	1.0	1.0	0.8
	Evap dT	28.6	26.8	23.5	20.1	28.5	26.7	23.4	20.0	28.8	27.0	23.7	20.3	28.5	26.7	23.4	20.0	28.3	26.5	23.2	19.8	29.4	27.6	24.3	20.9
	Pr-Suc	123.0	124.5	127.5	132.5	130.2	131.6	134.6	139.6	136.4	137.9	140.9	145.9	141.7	143.2	146.2	151.2	146.9	148.4	151.4	156.4	153.4	154.9	157.9	162.9
	Pr-Dis	286.8	288.0	290.0	294.9	331.0	332.3	334.2	339.1	377.4	378.6	380.6	385.5	427.3	428.6	430.5	435.4	481.2	482.4	484.4	489.3	538.6	539.8	541.8	546.7
ODAmps	14.3	14.3	14.3	14.4	16.4	16.4	16.4	16.5	18.7	18.7	18.6	18.8	21.2	21.2	21.1	21.3	24.0	24.0	23.9	24.1	27.3	27.3	27.3	27.4	
TotalPower	7,408	7,401	7,386	7,455	8,315	8,307	8,292	8,361	9,326	9,319	9,303	9,373	10,421	10,413	10,398	10,467	11,644	11,636	11,621	11,690	13,078	13,071	13,056	13,125	

IDB: Entering Indoor Dry Bulb Temperature
 High and low pressures are measured at the liquid and suction service valves.
 Shaded area reflects AHRI conditions
 kW=Total system power
 Amps = outdoor unit amps (comp.+fan)

EXPANDED HEATING DATA

DZ14XA0903A* / DAX0903A*

	OUTDOOR AMBIENT TEMPERATURE																
	65	60	55	50	47	45	40	35	30	25	20	17	15	10	5	0	-5
MBh	98.59	92.84	87.18	81.61	78.00	75.37	69.01	62.79	57.75	54.06	51.42	50.00	48.13	43.47	38.80	34.13	29.47
T/R	30.11	28.63	27.15	25.67	24.78	23.99	21.92	19.96	18.34	17.17	16.33	15.88	15.29	13.81	12.32	10.84	9.36
kW	6.85	6.81	6.78	6.74	6.72	6.71	6.67	6.64	6.60	6.57	6.53	6.51	6.50	6.46	6.43	6.39	6.36
Amps	25.7	25.5	25.4	25.2	25.1	25.1	24.9	24.8	24.6	24.5	24.3	24.2	24.2	24.0	23.8	23.7	23.5
COP	4.22	3.99	3.77	3.55	3.40	3.29	3.03	2.77	2.56	2.41	2.31	2.25	2.17	1.97	1.77	1.56	1.36
EER	371	359	346	334	327	322	310	298	286	274	262	255	250	238	226	214	202
HI PR	121	113	106	98	94	91	83	76	68	61	53	49	46	38	31	23	16
LO PR	127	118	111	101	96	92	85	76	68	61	54	50	48	41	35	30	26

High pressure is measured at the suction service valve (the larger valve).
 Low pressure is measured at the gauge port connection.
 Calculations are based on nominal CFM and 70 °F indoor dry bulb.

Amps = Outdoor unit amps (comp.+fan)
 kW = Total system power

DZ14XA0904AX* / DAX0904A*

	OUTDOOR AMBIENT TEMPERATURE																
	65	60	55	50	47	45	40	35	30	25	20	17	15	10	5	0	-5
MBh	98.59	92.84	87.18	81.61	78.00	75.37	69.01	62.79	57.75	54.06	51.42	50.00	48.13	43.47	38.80	34.13	29.47
T/R	30.11	28.63	27.15	25.67	24.78	23.99	21.92	19.96	18.34	17.17	16.33	15.88	15.29	13.81	12.32	10.84	9.36
kW	6.85	6.81	6.78	6.74	6.72	6.71	6.67	6.64	6.60	6.57	6.53	6.51	6.50	6.46	6.43	6.39	6.36
Amps	12.8	12.7	12.6	12.6	12.57	12.54	12.46	12.38	12.31	12.23	12.15	12.11	12.08	12	11.92	11.85	11.77
COP	4.22	3.99	3.77	3.55	3.40	3.29	3.03	2.77	2.56	2.41	2.31	2.25	2.17	1.97	1.77	1.56	1.36
EER	371	359	346	334	327	322	310	298	286	274	262	255	250	238	226	214	202
HI PR	121	113	106	98	94	91	83	76	68	61	53	49	46	38	31	23	16
LO PR	127	118	111	101	96	92	85	76	68	61	54	50	48	41	35	30	26

High pressure is measured at the suction service valve (the larger valve).
 Low pressure is measured at the gauge port connection.
 Calculations are based on nominal CFM and 70 °F indoor dry bulb.

Amps = Outdoor unit amps (comp.+fan)
 kW = Total system power

DZ14XA1203A* / DAX1203A*

	OUTDOOR AMBIENT TEMPERATURE																
	65	60	55	50	47	45	40	35	30	25	20	17	15	10	5	0	-5
MBh	123.97	116.42	109.00	101.71	97.00	93.59	85.03	76.93	70.29	65.43	61.90	60.00	57.53	51.37	45.20	39.03	32.87
T/R	31.22	29.61	27.99	26.38	25.41	24.54	22.27	20.15	18.41	17.14	16.21	15.72	15.07	13.45	11.84	10.22	8.61
kW	8.69	8.60	8.51	8.42	8.36	8.33	8.23	8.14	8.05	7.96	7.87	7.82	7.78	7.69	7.60	7.51	7.42
Amps	31.7	31.3	30.9	30.5	30.2	30.1	29.7	29.3	28.9	28.5	28.1	27.9	27.7	27.3	26.9	26.5	26.1
COP	4.18	3.97	3.76	3.54	3.40	3.29	3.03	2.77	2.56	2.41	2.31	2.25	2.17	1.96	1.74	1.52	1.30
EER	364	352	340	328	321	316	304	293	281	269	257	250	245	233	222	210	198
HI PR	113	106	99	92	88	85	78	71	64	57	50	46	43	36	29	22	15
LO PR	124	115	107	99	93	90	82	73	66	59	52	48	47	39	34	29	25

High pressure is measured at the suction service valve (the larger valve).
 Low pressure is measured at the gauge port connection.
 Calculations are based on nominal CFM and 70 °F indoor dry bulb.

Amps = Outdoor unit amps (comp.+fan)
 kW = Total system power

DZ14XA1204A* / DAX1204A*

	OUTDOOR AMBIENT TEMPERATURE																
	65	60	55	50	47	45	40	35	30	25	20	17	15	10	5	0	-5
MBh	123.97	116.42	109.00	101.71	97.00	93.59	85.03	76.93	70.29	65.43	61.90	60.00	57.53	51.37	45.20	39.03	32.87
T/R	31.22	29.61	27.99	26.38	25.41	24.54	22.27	20.15	18.41	17.14	16.21	15.72	15.07	13.45	11.84	10.22	8.61
kW	8.69	8.60	8.51	8.42	8.36	8.33	8.23	8.14	8.05	7.96	7.87	7.82	7.78	7.69	7.60	7.51	7.42
Amps	15.8	15.6	15.4	15.2	15.12	15.04	14.84	14.64	14.45	14.25	14.05	13.93	13.85	13.65	13.64	13.26	13.06
COP	4.18	3.97	3.76	3.54	3.40	3.29	3.03	2.77	2.56	2.41	2.31	2.25	2.17	1.96	1.74	1.52	1.30
EER	364	352	340	328	321	316	304	293	281	269	257	250	245	233	222	210	198
HI PR	113	106	99	92	88	85	78	71	64	57	50	46	43	36	29	22	15
LO PR	124	115	107	99	93	90	82	73	66	59	52	48	47	39	34	29	25

High pressure is measured at the suction service valve (the larger valve).
 Low pressure is measured at the gauge port connection.
 Calculations are based on nominal CFM and 70 °F indoor dry bulb.

Amps = Outdoor unit amps (comp.+fan)
 kW = Total system power

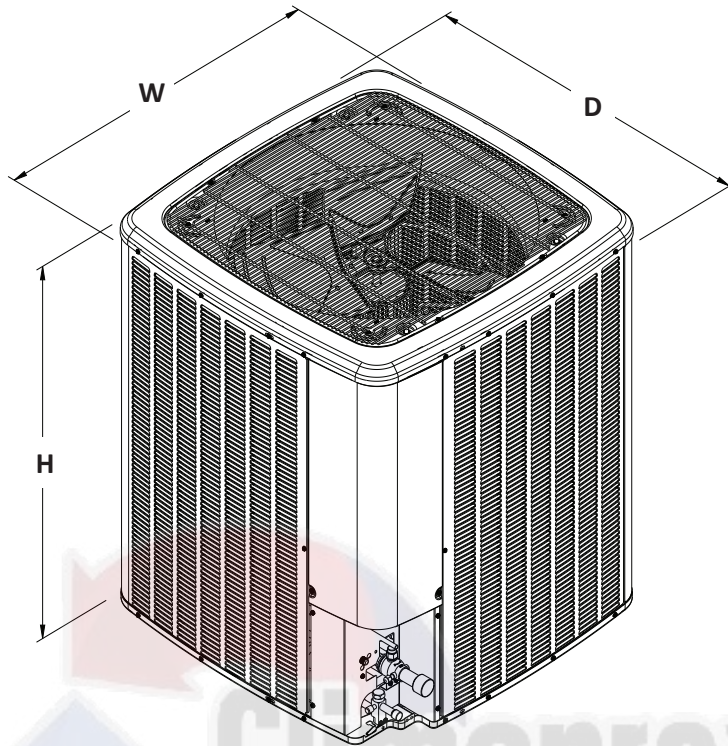
OUTDOOR UNIT	INDOOR UNIT	COOLING CAPACITY ¹ (BTU/H)							AHRI #
		TOTAL	EER ²	IEER ³	HEATING (47F)	COP (47F)	HEATING (17F)	COP (17F)	
DZ14XA0903A*	DAX0903A*	90,000	11.0	14.5	78,000	3.4	50,000	2.25	210605687
DZ14XA0904A*	DAX0904A*	90,000	11.0	14.5	78,000	3.4	50,000	2.25	210605688
DZ14XA1203A*	DAX1203A*	115,000	11.0	14.5	97,000	3.4	60,000	2.25	210605689
DZ14XA1204A*	DAX1204A*	115,000	11.0	14.5	97,000	3.4	60,000	2.25	210605690

¹ BTU/h

² Energy Efficiency Ratio @ 80 °F/67 °F Inside - 95 °F

³ Integrated Energy Efficiency Ratio @ 80 °F/67 °F Inside - 95 °F





MODEL	DIMENSIONS		
	W"	D"	H"
DZ14XA0903A*	35½	35½	41½
DZ14XA0904A*	35½	35½	41½
DZ14XA1203A*	35½"	35½"	41½"
DZ14XA1204A*	35½"	35½"	41½"

ITEM #	DESCRIPTION
ABK-20	Anchor Bracket Kit ⁰
FSK04A	Freeze Protection Kit
LAKT00HP	Low Ambient Kit
OT18-60-01A ²	Outdoor Thermostat with Lockout Stat

⁰ Contains 20 brackets; four brackets needed to anchor unit to pad

¹ Installed on indoor coil

² Required for heat pump applications where ambient temperatures fall below 0 °F with 50% or higher relative humidity.

